



website <http://www.lgservice.com>
e-mail <http://www.lgservice.com/techsup.html>

LG Window-Type Air Conditioner

LG

OWNER'S MANUAL

**MODELS: LP6000ER
LP7000R**

ENGLISH

ESPAÑOL

IMPORTANT

Please read through this manual. It contains valuable information about your air conditioner. This manual may help save time and money by explaining proper air conditioner maintenance and preventing improper use.

PRECAUTIONS

Pay close attention to precautions in order to prevent potential hazards and damage from misuse or improper installation. LG is not responsible for any damages caused by misuse of the air conditioner.

TABLE OF CONTENTS

1. Safety Precautions

2. Operating Instructions

3. Care and Maintenance

4. Hardware Installation

5. Common Issues

For Your Records

Write the model and serial numbers here:

Model # _____

Serial # _____

You can find them on a label on the side of each unit.

Dealer's Name _____

Date Purchased _____

Read This Manual

Inside you will find many helpful hints on how to use and maintain your air conditioner properly. Just a little preventive care on your part can save you a great deal of time and money over the life of your air conditioner.

You'll find many answers to common problems in the chart of troubleshooting tips. If you review our chart of **Troubleshooting Tips** first, you may not need to call for service at all.





CAUTION



- Contact the authorized service technician for repair or maintenance of this unit.
- Contact the installer for installation of this unit.
- The air conditioner is not intended for use by young children or invalids without supervision.
- Young children should be supervised to ensure that they do not play with the air conditioner.

**Safety
Precautions**


Precautions
















To prevent injury and property damage, follow these instructions. Incorrect operation due to ignoring instructions might cause harm or damage, the seriousness of which is indicated by the following symbols.

-  **WARNING** This symbol shows the possibility of death or serious injury.
-  **CAUTION** This symbol indicates the possibility of injury or damage to property.

	Never Do This
	Always Do This

■ The following items are classified by these symbols.

 **WARNING**

<p> Plug in the power plug properly.</p> <ul style="list-style-type: none"> • Doing so may cause electric shock or fire due to heat generation or electric shock. 	<p> Do not operate or stop the unit by inserting or pulling out the power plug.</p> <ul style="list-style-type: none"> • Doing so may cause electric shock or fire due to heat generation. 	<p> Do not damage or use an unspecified power cord.</p> <ul style="list-style-type: none"> • Doing so may cause electric shock or fire. • If the supply cord is damaged, it must be replaced by the manufacturer, the manufacturer's service agent, or a similarly qualified person in order to avoid a hazard. (Y attachment)
<p> Do not modify power cord length or share the outlet with other appliances.</p> <ul style="list-style-type: none"> • Doing so may cause electric shock or fire due to heat generation. 	<p> Do not operate with wet hands or in damp environment.</p> <ul style="list-style-type: none"> • Doing so may cause electric shock. 	<p> Do not direct airflow at room occupants only.</p> <ul style="list-style-type: none"> • This could damage your health.
<p> Always plug into a grounded outlet.</p> <ul style="list-style-type: none"> • No grounding may cause electric shock (See Installation Manual). 	<p> Do not allow water to run into electric parts.</p> <ul style="list-style-type: none"> • Doing so may cause failure of machine or electric shock. 	<p> Always install air leakage breaker and a dedicated switching board.</p> <ul style="list-style-type: none"> • Failure to install these may cause fire or electric shock accident.
<p> Unplug the unit if strange sounds, odors, or smoke comes from it.</p> <ul style="list-style-type: none"> • Such a unit may pose a risk of fire or electric shock accident. 	<p> Do not use the socket if it is loose or damaged.</p> <ul style="list-style-type: none"> • Doing so may cause fire or electric shock. 	<p> Do not open the entrance during operation.</p> <ul style="list-style-type: none"> • It may cause electric shock.
<p> Keep firearms away.</p>	<p> Do not use the power cord close to heating tools.</p> <ul style="list-style-type: none"> • Doing so may cause fire or electric shock. 	<p> Do not use the power cord near flammable gas or combustibles such as gasoline, benzene, thinner, etc.</p> <ul style="list-style-type: none"> • Doing so may lead to an explosion or fire.

⚠ WARNING

ⓘ **Ventilate before operating air conditioner when gas goes out.**

- Operating the air conditioner in the presence of gas vapors can lead to explosions and fire.

ⓘ **Do not disassemble or modify products randomly.**

- Doing so may cause failure or electric shock.

⚠ CAUTION

ⓘ **Never touch the metal parts of the unit when removing the filter.**

- They are sharp and may cause injury.

ⓘ **Do not clean the air conditioner with water.**

- Water may enter the unit and degrade the insulation. It also may cause an electric shock.

ⓘ **Operate only in a well ventilated area when using in the presence of a stove, etc.**

- An oxygen shortage may otherwise occur.

ⓘ **When cleaning the unit, first make sure the power is off and the cord is unplugged.**

- Since the fan rotates at high speed during operation, it may cause injury if activated while cleaning.

ⓘ **Do not put a pet or house plant where it will be exposed to direct air flow.**

- This could injure the pet or plant.

ⓘ **Do not use appliance for special purpose such as climate control for animals or vegetables, precision machine, or conservation of art articles**

- It may cause damage of animals or vegetables or loss of property.

ⓘ **Stop operation in storm or hurricanes.**

- Operation with windows opened may cause wetting of indoor and soaking of household furniture.

ⓘ **Hold the plug by the head when taking it out.**

- Improper handling may cause electric shock or damage.

ⓘ **Turn off the main power switch when not using it for a long time.**

- Doing so can prolong the life of the product.

ⓘ **Do not place obstacles around the absorption inlet or output.**

- Doing so may cause failure of appliance or accident.

ⓘ **Ensure that an installation console of the outdoor appliance is not damaged due to extended use.**

- If the previous air conditioner damaged the console, there is a risk of the new unit falling.

ⓘ **Always insert filters securely. Clean them every two weeks.**

- Operation without filters will cause failure.

ⓘ **Do not use abrasives or strong detergent such as wax or thinner. Always use a soft cloth.**

- Otherwise, the products appearance may be damaged due to change of product color or scratching of its surface.

ⓘ **Do not place heavy object on the power cord and take care so that the cord is not pinched.**

- Treating the power cord carelessly poses a danger of fire or electric shock.

ⓘ **Do not drink water drained from air conditioner.**

- It contains contaminants that would make you sick.

ⓘ **If water enters the product, turn off the the power switch of the main body of appliance. Contact service center after taking the power-plug out from the socket.**

Preparing for operation

- 1 Contact an installation specialist for installation.
- 2 Plug in the power plug properly.
- 3 Do not share the same outlet with other appliances
- 4 Do not use an extension cord.
- 5 Do not start/stop operation by plugging/unplugging the power cord.
- 6 If cord/plug is damaged, replace only with an authorized part.

Usage

- 1 Being exposed to direct airflow for an extended period of time could be hazardous to your health. Do not expose occupants, pets, or plants to direct airflow for extended periods of time.
- 2 Due to the possibility of oxygen deficiency, ventilate the room when using together with stoves or other heating devices.
- 3 Do not use this air conditioner for non-specified special purposes (e.g. preserving precision devices, food, pets, plants, and art objects). Usage in such a manner could harm such property.

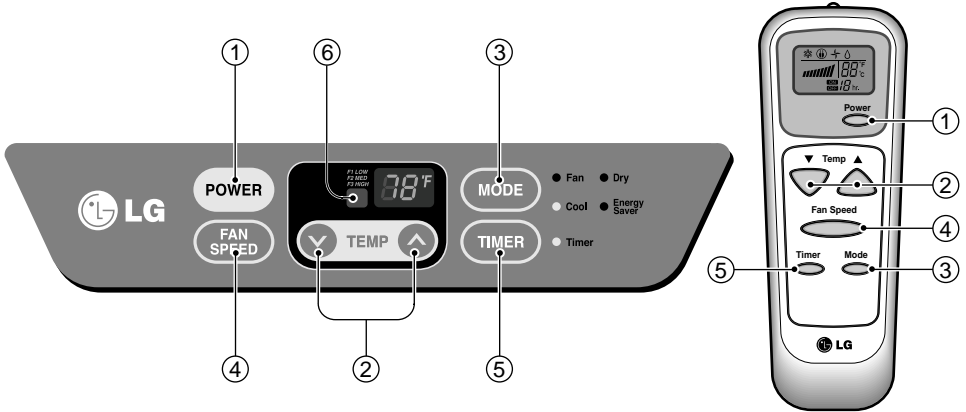
Cleaning and maintenance

- 1 Do not touch the metal parts of the unit when removing the filter. Injuries can occur when handling sharp metal edges.
- 2 Do not use water to clean inside the air conditioner. Exposure to water can destroy the insulation, leading to possible electric shock.
- 3 When cleaning the unit, first make sure that the power and breaker are turned off. The fan rotates at a very high speed during operation. There is a possibility of injury if the unit's power is accidentally triggered on while cleaning inner parts of the unit.

Service

For repair and maintenance, contact your authorized service dealer.

The remote control and control panel will look like those represented in the following pictures.



Remote Control Operations

1 POWER

- To turn the air conditioner ON, push this button. To turn the air conditioner OFF, push the button again.
- This button takes priority over any other button.
- When you first turn it on, the unit is in cool mode, high fan speed, temperature setting at 72°F.

2 TEMPERATURE SETTING

- Use this button to automatically control the temperature of the room. The temperature can be set within a range of 60°F to 86°F by increments of 1°F.

3 MODE

- Every time you push this button, it will cycle through the following modes: COOL, ENERGY SAVER, FAN and DRY.
- ENERGY SAVER
 - The fan stops when the compressor stops cooling. Approximately every 3 minutes the fan will turn on and the unit will check the room air to determine if cooling is needed.

4 FAN SPEED

- Every time you push this button, it advances the setting as follows: {High(F3) → Low(F1) → Med(F2) → High(F3)}

5 TIMER

- SHUT-OFF TIME
 - You will usually use shut-off time while you sleep.
 - With unit running, use Timer to set number of hours until shut-off.
 - For your sleeping comfort, once Time is set, the Temperature setting will raise 2°F after 30 min, and 2°F after another 30 min.
 - Every time you push Timer button, it advances the Timer setting as follows: 1 Hour → 2 Hours → etc. → 12 Hours maximum.
- START TIME
 - With unit not running, use timer to set number of hours before unit starts.
 - Every time you push Timer button, it advances the Timer setting as follows: 1 Hour → 2 Hours → etc. → 12 Hours maximum.

6 REMOTE CONTROL SENSOR

AUTO RESTART

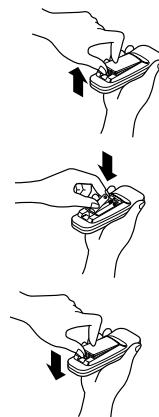
When power is restored after an electrical power failure, the unit will begin to run at its last setting.

Inserting the Remote Control Batteries

- 1 Push out the cover on the back of the remote control with your thumb.
- 2 Pay attention to polarity and insert two new AAA 1.5V batteries.
- 3 Reattach the cover.

NOTE: Do not use rechargeable batteries. Make sure that both batteries are new.

- In order to prevent discharge, remove the batteries from the remote control if the air conditioner is not going to be used for an extended period of time
- Keep the remote control away from extremely hot or humid places.
- To maintain optimal operation of the remote control, the remote sensor should not be exposed to direct sunlight.
- The remote control can be mounted on a wall using the mountable holder.

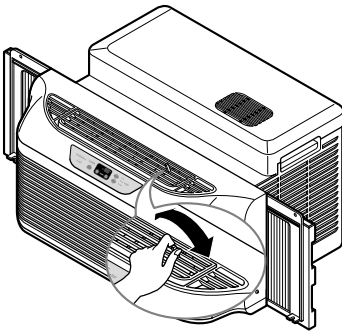


Adjusting the Air Flow Direction

Airflow can be adjusted by changing the direction of the air conditioner's louvers. This can also increase the cooling efficiency of the air conditioner.

- **Adjusting Horizontal Air Flow Direction**

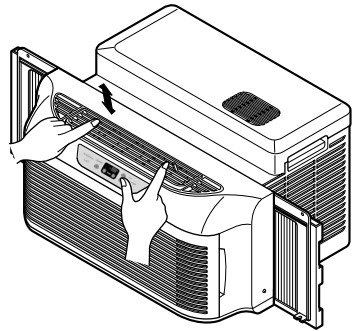
Adjusting the vertical louvers left and right will change horizontal airflow.



Adjusting horizontal air flow

- **Adjusting Vertical Air Flow Direction**

Adjusting the horizontal vane up and down will change vertical airflow. The vane can be adjusted by nudging the vane backward or forward.



Adjusting vertical air flow

- **Recommended orientation of louvers**

Adjust louvers to face upwards when cooling to maximize cooling efficiency.

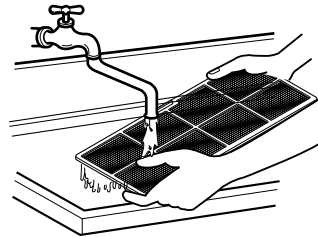
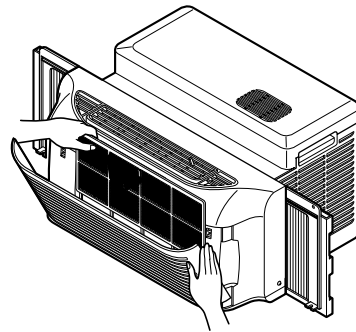
Turn the power off and unplug the power plug before cleaning the air conditioner.

Air Filter

The Air Filter will become dirty as it removes dust from the inside air. It should be washed at least every 2 weeks. If the Air Filter remains full of dust, the air flow will decrease and the cooling capacity will be reduced, possibly damaging the unit.

How to remove the air filter

- 1 Pull the inlet grille forward, grasping both tabs, then pull out the air filter.
- 2 Wash the Air Filter under the faucet with warm water. Be sure to shake off all the water before replacing the filter.



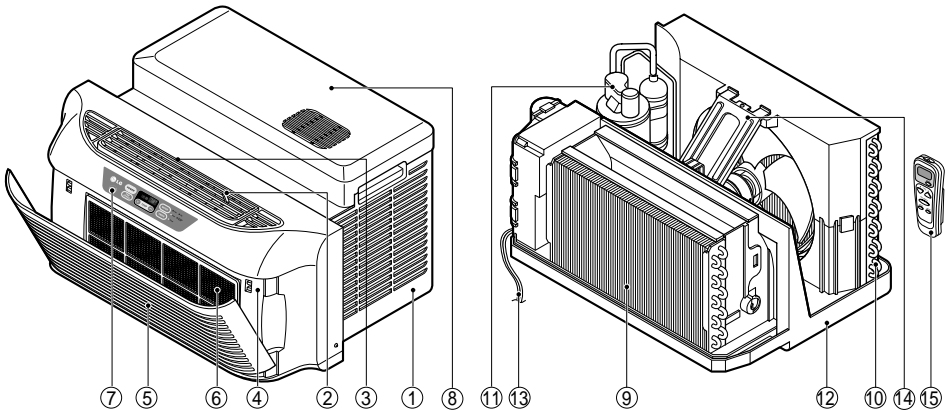
NOTE : In humid weather, excess water may cause the BASE PAN to overflow and be splashed on the louver.

Product Features



CAUTION

This appliance should be installed in accordance with national wiring regulations. The following information serves as a guide to help to explain product features.



1. CABINET

2. VERTICAL AIR DEFLECTOR
(HORIZONTAL LOUVER)

3. HORIZONTAL AIR DEFLECTOR
(VERTICAL LOUVER)

4. FRONT GRILLE

5. AIR INTAKE (INLET GRILLE)

6. AIR FILTER

7. CONTROL PANEL

8. TOP COVER

9. EVAPORATOR

10. CONDENSER

11. COMPRESSOR

12. BASE PAN

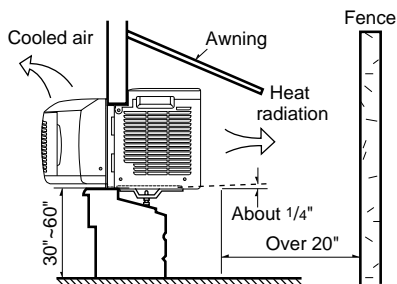
13. POWER CORD

14. BRACE

15. REMOTE CONTROLLER

How to Install the Unit

- 1 To prevent vibration and noise, make sure the unit is installed securely and firmly.
- 2 Install the unit where the sunlight does not shine directly on the unit.
- 3 The outside of the cabinet must extend outward and there should be no obstacles, such as a fence or wall, within 20" from the back of the cabinet because it will prevent heat radiation of the condenser. Restriction of outside air will greatly reduce the cooling efficiency of the air conditioner.



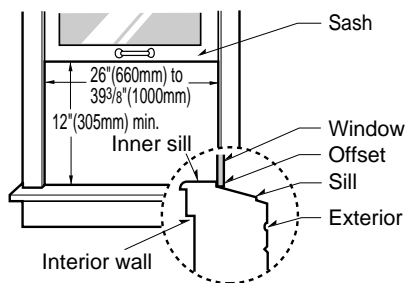
CAUTION: All side louvers of the cabinet must remain exposed to the outside of the structure.

- 4 Install the unit a little slanted so the back is slightly lower than the front (about 1/4"). This will force condensed water to flow to the outside.
- 5 Install the unit with the bottom about 30"–60" above the floor level.

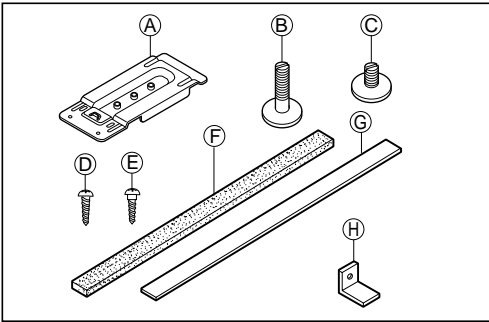
Window Requirements

NOTE: All supporting parts should be secured to firm wood, masonry, or metal.

- This unit is designed for installation in standard double hung windows with actual opening widths from 26" to 39 3/8".
- The top and bottom window sash must open sufficiently to allow a clear vertical opening of 12" from the bottom of the upper sash to the window stool.



Installation Kits Contents



ITEM	NAME OF PARTS	Q'TY
A	SUPPORT, BRACKET	1
B	LEVELING BOLT	1
C	LEVELING BOLT	1
D	SCREW: 5/8"	2
E	SCREW: 5/8"	5
F	FOAM SEAL	1
G	FOAM STRIP	1
H	L BRACKET	1

Suggested Tool Requirements

SCREWDRIVER(Phillips and Flathead), RULER, KNIFE, HAMMER, PENCIL, LEVEL

Installation



CAUTION

To avoid the possibility of personal injury, unplug power to unit before installing or servicing.

Carefully remove air conditioner from carton, check for possible shipping damage. Pick a location which will allow you to blow the cold air into the area you want. Windows used for installation must be strong enough to support the weight of the air conditioner. Good installation with special attention to the proper position of the unit will lessen the chance that service will be needed.

When cooling more than one room, installation location is very important. To cool your rooms, cold air must be blown from the air conditioner in a straight path.

If air conditioner is blocked by a storm window frame, see Step 7 and 8 on Page 14 before beginning to install.

How to Install

1 Cut the FOAM STRIP (ITEM G) to fit the underside of the window sash. Open the window, peel off the backing and attach the FOAM STRIP as shown in FIG. 1.

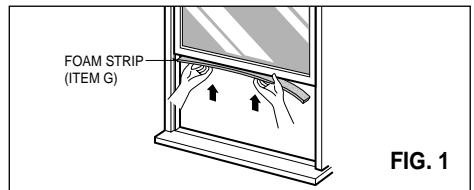


FIG. 1

2 Mark center line with pencil on the center of the inner sill, as shown in FIG. 2.

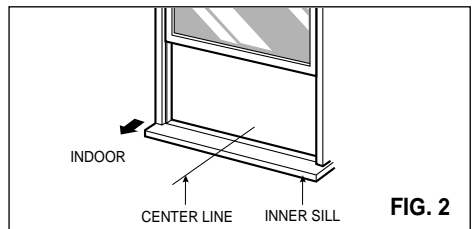


FIG. 2

3 Install support bracket on window. See FIG. 3. Install leveling bolt up through bottom side of support bracket. You can choose a short bolt (ITEM C) or a long one (ITEM B) according to window type. Also, you should select the position of hole on bracket. Position bracket on sill 1 inch (25.4mm) to left of center line of window (See FIG. 3). Fasten bracket loosely to sill with screws (ITEM D) provided. Adjust leveling bolt so that the air conditioner will be installed with a very slight tilt (about 1/4") downward toward the outside for proper drainage. Tighten bracket screws.

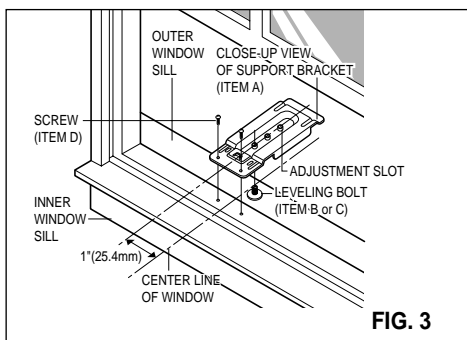


FIG. 3

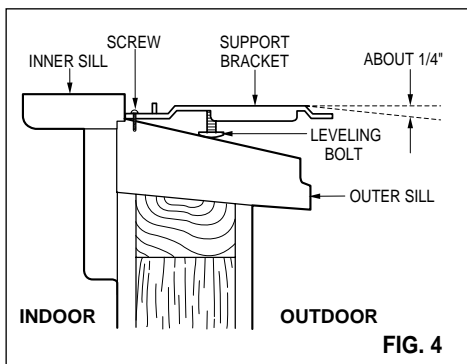


FIG. 4

CAUTION

Failure to securely install support bracket may result in unit falling from window if window sash is raised after unit is installed. This could result in personal injury.

4 INSTALL THE AIR CONDITIONER IN THE WINDOW

- Carefully lift the air conditioner and slide it into the open window. Be careful not to hurt waist in this operation.
- Use the two hand grips on top sides of unit to lift unit.
- Make sure that support bracket is inserted in the pocket under base fan, and that curtain frame guide is stopped by stopper on the support bracket as shown in FIG.6.

NOTE: When unit is properly centered and pushed outward to correct bracket location, you will feel unit drop securely in place on the support bracket. Hold unit firmly during this procedure.

- Lower top window sash all the way down so that sash sits firmly in top channel of unit and expandable curtain frames.

CAUTION

During the following step, hold unit firmly until window sash is lowered to top channel behind curtain frames. Personal injury or property damage may result if unit falls from window.

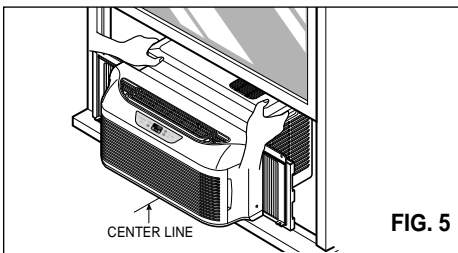


FIG. 5

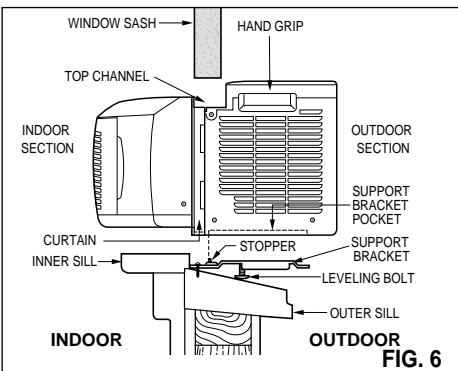


FIG. 6

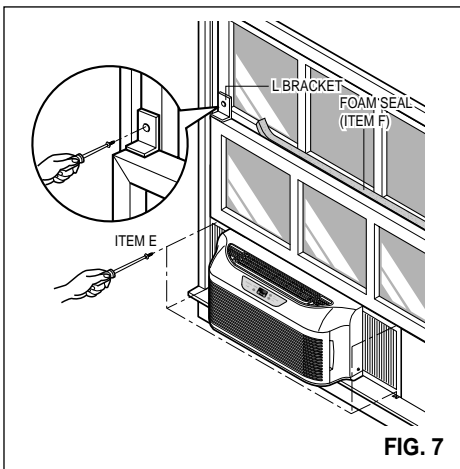
5 SECURE THE CURTAIN FRAMES

Expand the curtain frames and secure them using 5 screws (ITEM E) as shown in FIG. 7.

When curtain frame opens or closes, you may feel a slight resistance. This is normal.

6 FOAM SEAL AND WINDOW LOCK

- Cut the foam seal (ITEM F) to the window width. Stuff the foam seal between the glass and the window to prevent air and insects from getting into the room, as shown in FIG.7.
- Install the L bracket to prevent window from being raised which may result in unit falling.



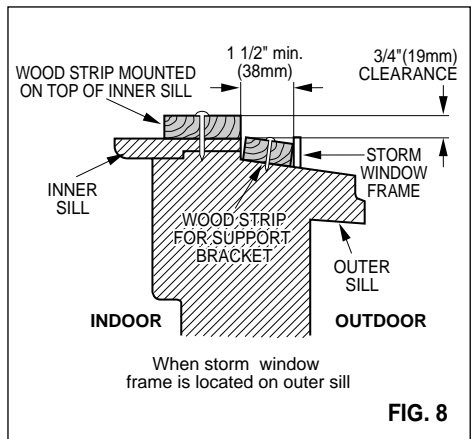
CAUTION

Failure to securely install support bracket may result in unit falling from window if window sash is raised after unit is installed. This could result in personal injury.

NOTE: If window sash has a metal surface, use sheet metal screws instead of the provided wood screws. Obtain sheet metal screws at local hardware store.

7 IF AIR CONDITIONER IS BLOCKED BY STORM WINDOW FRAME

- If storm window presents interference, fasten a 2"(51mm) wide wood strip to the inner window sill across the full width of the sill. The wood strip should be thick enough to raise the height of the window sill so that unit can be installed without interference from the the storm window frame. See FIG. 8. Top of wood strip should be approximately 3/4"(19mm) higher than the storm window frame to help condensation to drain properly to the outside.
- Install a second wood strip (approximately 6"(152mm) long by 1 1/2"(38mm) wide and same thickness as first strip) in the center of the outer sill flush against the back of the inner sill. (FIG. 8)

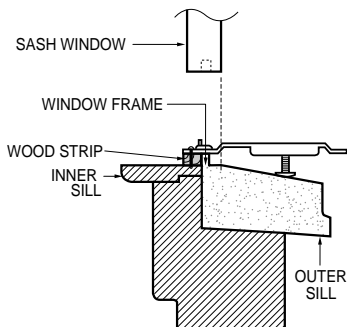


8 INSTALLATION FOR OTHER TYPE WINDOWS.

- Dimensions and geometry of windows are different according to manufacturers. Check your window and refer to FIG.9 to install the support bracket firmly.

(a) When window frame is located on inner sill.

- Install a wood strip (window width long and window frame height high) on the inner sill.



(b) When the window frame is higher than 19/32" (15mm)

- Install a wood strip (about 4"(102mm) long) on the outdoor sill to raise support bracket.

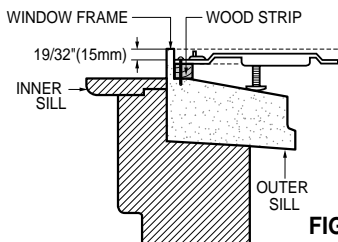


FIG. 9

REMOVAL FROM WINDOW

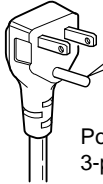

- Turn off and unplug the air conditioner.
- Unscrew the side screws that you installed in Step 5. 6.
- Close the curtain frame and remove foam seal and L bracket from the windows.
- Keep a firm grip on the air as you the sash.
- Lift the air conditioner from the window and remove the foam strip from between the windows.
- Remove the support bracket from window frame.

NOTE: When cooling season is over, unit is removed from window for cleaning and storage. There may still be some condensation water in the basepan. Remove the unit carefully to avoid water being spilled out on floor. Always store unit flat on its base. Do not stand it on its end. Be sure to remove support bracket, L bracket, and foam seal from window and save. Window will not close if support bracket remains installed.

CAUTION

- Air conditioners covered in this manual pose an excessive weight hazard. Two or more people are needed to move and install the unit. To prevent injury or strain, use proper lifting and carrying techniques when moving unit.
- When handling the air conditioner, be careful to avoid cuts from sharp metal fins on front and rear coils.
- Make sure air conditioner does not fall during removal.

Electrical Safety

Line Cord Plug	Use Wall Receptacle	Power Supply
 <p>Do not under any circumstances cut or remove the grounding prong from the plug.</p> <p>Power supply cord with 3-prong grounding plug</p>	 <p>Standard 125V, 3-wire grounding receptacle rated 15A, 125V AC</p>	<p>Use 15 AMP, time delay fuse or circuit breaker.</p>

Use of extension cords

- Because of potential safety hazards, we strongly discourage the use of an extension cord. However, if you wish to use an extension cord, use a CSA certified/UL-listed 3-wire (grounding) extension cord, rated at 15A, 125V.

Electrical Safety

IMPORTANT (PLEASE READ CAREFULLY)

FOR THE USER'S PERSONAL SAFETY, THIS APPLIANCE MUST BE PROPERLY GROUNDED

The power cord of this appliance is equipped with a three-prong (grounding) plug. Use this with a standard three-slot (grounding) wall power outlet (FIG. 10) to minimize the hazard of electric shock. The customer should have the wall receptacle and circuit checked by a qualified electrician to make sure the receptacle is properly grounded.

PREFERRED METHOD

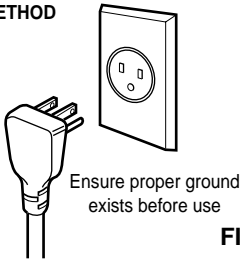


FIG. 10

DO NOT CUT OR REMOVE THE THIRD (GROUND) PRONG FROM THE POWER PLUG.

A. SITUATIONS WHEN THE APPLIANCE WILL BE DISCONNECTED OCCASIONALLY:

TEMPORARY METHOD

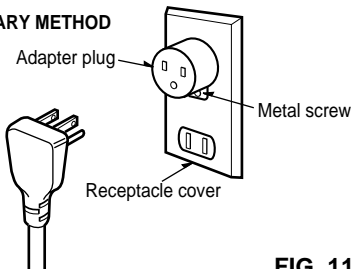


FIG. 11

Because of potential safety hazards, we strongly discourage the use of an adapter plug. However, if you wish to use an adapter, a TEMPORARY CONNECTION may be made. Use UL-listed adapter, available from most local hardware stores (FIG. 11). The large slot in the adapter must be aligned with the large slot in the receptacle to assure a proper polarity connection.

CAUTION: *Attaching the adapter ground terminal to the wall receptacle cover screw does not ground the appliance unless the cover screw is metal, and not insulated, and the wall receptacle is grounded through the house wiring. The customer should have the circuit checked by a qualified electrician to make sure the receptacle is properly grounded.*

Disconnect the power cord from the adapter, using one hand on each. Otherwise, the adapter ground terminal might break. **DO NOT USE** the appliance with a broken adapter plug.

B. SITUATIONS WHEN THE APPLIANCE WILL BE DISCONNECTED OFTEN.

Do not use an adapter plug in these situations. Unplugging the power cord frequently can lead to an eventual breakage of the ground terminal. The wall power outlet should be replaced by a three-slot (grounding) outlet instead.

USE OF EXTENSION CORDS

Because of potential safety hazards, we strongly discourage the use of an extension cord. However, if you wish to use an extension cord, use a CSA certified/UL-listed 3-wire (grounding) extension cord, rated at 15A, 125V.

Before calling for service, please review the following list of common problems and solutions.

The air conditioner is operating normally when:

- You hear a pinging noise. This is caused by water being picked up by the condenser on rainy days or in highly humid conditions. This feature is designed to help remove moisture in the air and improve cooling efficiency.
- You hear the thermostat click. This is caused by the compressor cycle starting and stopping.
- You see water dripping from the rear of the unit. Water may be collected in the base pan in highly humid conditions or on rainy days. This water overflows and drips from the rear of the unit.
- You hear the fan running while the compressor is silent or fan mode. This is a normal operational feature.

The air conditioner may be operating abnormally when:

Problem	Possible Causes	What To Do
The air conditioner does not operate at all	■ The air conditioner is unplugged or not plugged in completely.	• Make sure the plug is completely plugged into the outlet.
	■ The fuse is blown/circuit breaker is triggered.	• Check the fuse/circuit breaker box and replace the fuse or reset the breaker.
	■ Power failure.	• In the event of a power failure, set the power control to OFF. When the power is restored, wait 3 minutes to restart the air conditioner to prevent the compressor from overloading.
Air conditioner does not cool	■ Air flow is restricted.	• Make sure there are no curtains, blinds, furniture or other obstacles in front of the air conditioner.
	■ TEMP Control set too higher number.	• Set the TEMP control to a lower number.
	■ The air filter is dirty.	• Clean the filter at least every 2 weeks. Refer to the "Care and Maintenance" section (p.8) of the manual.
	■ The air conditioner was just turned on.	• After the air conditioner is turned on, you need to give the air conditioner some time to cool the room.
	■ Cold air is escaping.	• Check for open furnace floor registers and cold air returns. • CLOSE the air conditioner vent.
	■ Cooling coils are iced up.	• See Ice appears on the air conditioner below
Ice appears on the air conditioner.	■ The cooling coils are iced over.	• Ice may block the air flow and obstruct the air conditioner from properly cooling the room. Set the mode control at High Fan or High Cool with the high temperature.

* You can refer to the Energy Star program in detail at "www.energystar.gov".

Free Manuals Download Website

<http://myh66.com>

<http://usermanuals.us>

<http://www.somanuals.com>

<http://www.4manuals.cc>

<http://www.manual-lib.com>

<http://www.404manual.com>

<http://www.luxmanual.com>

<http://aubethermostatmanual.com>

Golf course search by state

<http://golfingnear.com>

Email search by domain

<http://emailbydomain.com>

Auto manuals search

<http://auto.somanuals.com>

TV manuals search

<http://tv.somanuals.com>