



# Room Air Conditioner SVC MANUAL(Exploded View)

**MODEL : TS-C2425DA1**

**TS-C2425ML1**

## **CAUTION**

Before Servicing the unit, read the safety precautions in General SVC manual.  
Only for authorized service personnel.

## 1. Specification

<b>Product Model</b>			<b>TS-C2425DA1</b>
<b>Sales Model</b>			<b>SJ242CD</b>
<b>Capacity</b>			
Cooling Capacity		Btu/h	<b>24000</b>
Heating Capacity		Btu/h	-
<b>Electrical Parts</b>			
Voltage. Frequency/Phase		$\Phi$ / V / Hz	<b>1,220V,60Hz</b>
Power Input	Cooling	W	<b>2560</b>
	Heating	W	-
Running Current	Cooling	A	<b>12.0</b>
	Heating	A	-
<b>Performance</b>			
EER	Cooling	Btu/h	<b>9.38</b>
COP	Heating	W/W	-
Air Circulation	Indoor,Max	m <sup>3</sup> /min(cfm)	<b>14.5</b>
	Outdoor,Max	m <sup>3</sup> /min(cfm)	<b>42</b>
Moisture Removal		l/h	<b>2.9</b>
Sound Level	Indoor,H/M/L	dB(A)+3	<b>44</b>
	Outdoor,Max	dB(A)+3	<b>57</b>
<b>Feature</b>			
Neo Plasma Air Purifying System			<b>N</b>
Anti Corrasion			<b>N</b>
Temperature Control			<b>Y</b>
CHAOS Wind(Auto Wind)			<b>N</b>
Airflow Direction Control(up&down)			<b>Auto</b>
Airflow Direction Control(left&right)			<b>Manual</b>
Remocon Type			<b>Wireless Simple</b>
Setting Temperature Range	Cooling		<b>18-30</b>
	Heating		-
Auto Chage Over			<b>N</b>
Auto Clean			<b>N</b>
Seps,Fan/Cool			<b>3/4</b>
Temperature Increment			<b>1°C</b>
Timer			<b>7Hr,Off</b>
Sleep Operation			<b>Y</b>
Restart Delay(Minute)			<b>3</b>
Hot start			-
Jet Cool			<b>Y</b>
Compressor	Type		<b>Rotary,TS35N(Mitsubishi)</b>
<b>Installation &amp; Stuffing</b>			
Net Dimensions	WxHxD	mm	<b>1090*314*190/801*555*262</b>
Net Weight	Indoor/Outdoor	kg	<b>14/51</b>

Note:

O : Applied, - : No relation

\* For circuit breaker rating, please conform to local standards wherever necessary.

\* Some of functions are slightly different depending upon models.

\* The specification may be subject to change without prior notice for purpose of improvement.

## 2 Room Air Conditioner

## 1. Specification

<b>Product Model</b>			<b>TS-C2425ML1</b>
<b>Sales Model</b>			<b>SP242CM</b>
<b>Capacity</b>			
Cooling Capacity		Btu/h	<b>24000</b>
Heating Capacity		Btu/h	-
<b>Electrical Parts</b>			
Voltage, Frequency/Phase		$\Phi$ / V / Hz	<b>1,220V,60Hz</b>
Power Input	Cooling	W	<b>2560</b>
	Heating	W	-
Running Current	Cooling	A	<b>12.0</b>
	Heating	A	-
<b>Performance</b>			
EER	Cooling	Btu/h	<b>9.38</b>
COP	Heating	W/W	-
Air Circulation	Indoor,Max	m <sup>3</sup> /min(cfm)	<b>14.5</b>
	Outdoor,Max	m <sup>3</sup> /min(cfm)	<b>42</b>
Moisture Removal		l/h	<b>2.9</b>
Sound Level	Indoor,H/M/L	dB(A)+3	<b>44</b>
	Outdoor,Max	dB(A)+3	<b>57</b>
<b>Feature</b>			
Neo Plasma Air Purifying System			<b>Y</b>
Anti Corrasion			<b>N</b>
Temperature Control			<b>Y</b>
CHAOS Wind(Auto Wind)			<b>New Chaos</b>
Airflow Direction Control(up&down)			<b>Auto</b>
Airflow Direction Control(left&right)			<b>Manual</b>
Remocon Type			<b>Wireless LCD</b>
Setting Temperature Range	Cooling		<b>18-30</b>
	Heating		-
Auto Chage Over			<b>N</b>
Auto Clean			<b>N</b>
Seps,Fan/Cool			<b>3/4</b>
Temperature Increment			<b>1°C</b>
Timer			<b>7Hr,Off</b>
Sleep Operation			<b>Y</b>
Restart Delay(Minute)			<b>3</b>
Hot start			-
Jet Cool			<b>Y</b>
Compressor	Type		<b>Rotary,TS35N(Mitsubishi)</b>
<b>Installation &amp; Stuffing</b>			
Net Dimensions	WxHxD	mm	<b>1090*314*190/801*555*262</b>
Net Weight	Indoor/Outdoor	kg	<b>14/51</b>

**Note:**

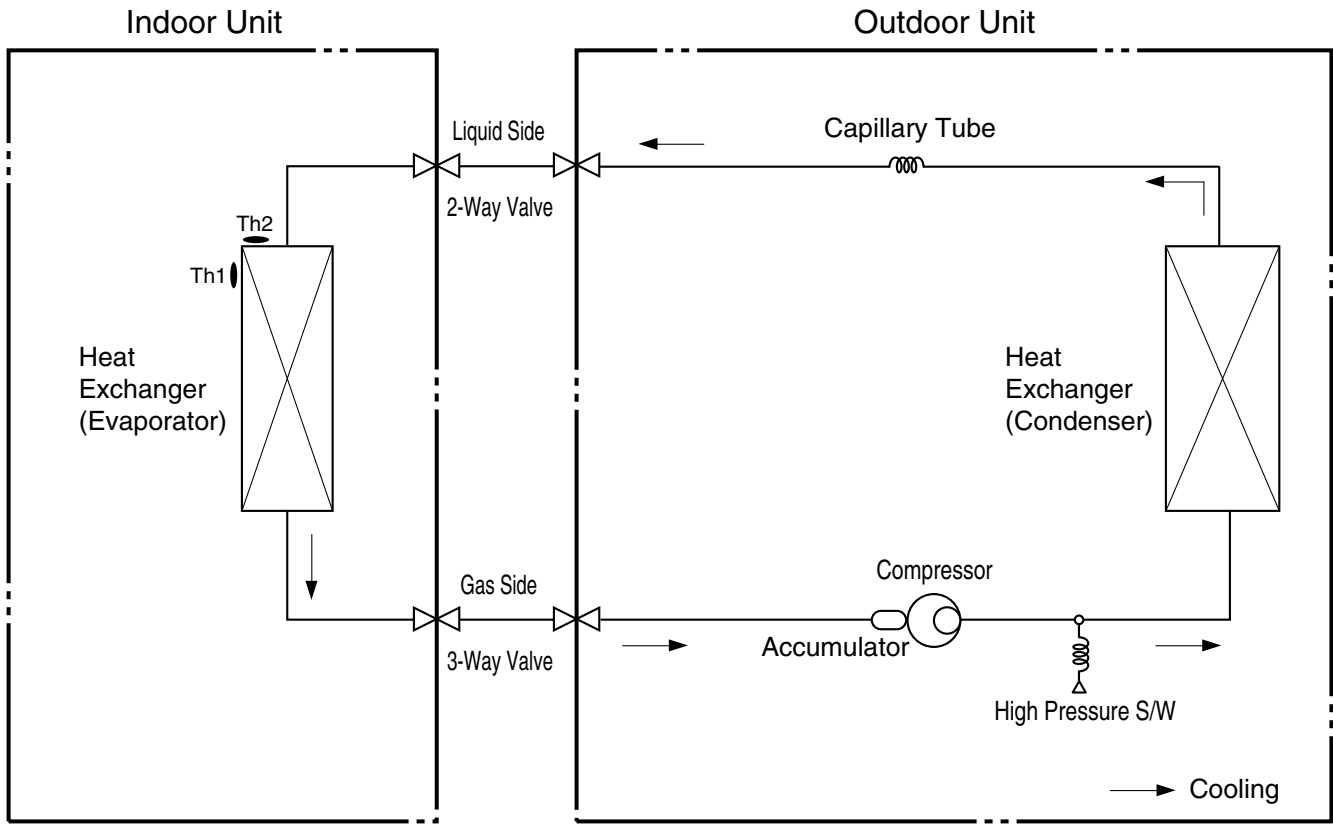
O : Applied, - : No relation

\* For circuit breaker rating, please conform to local standards wherever necessary.

※ Some of functions are slightly different depending upon models.

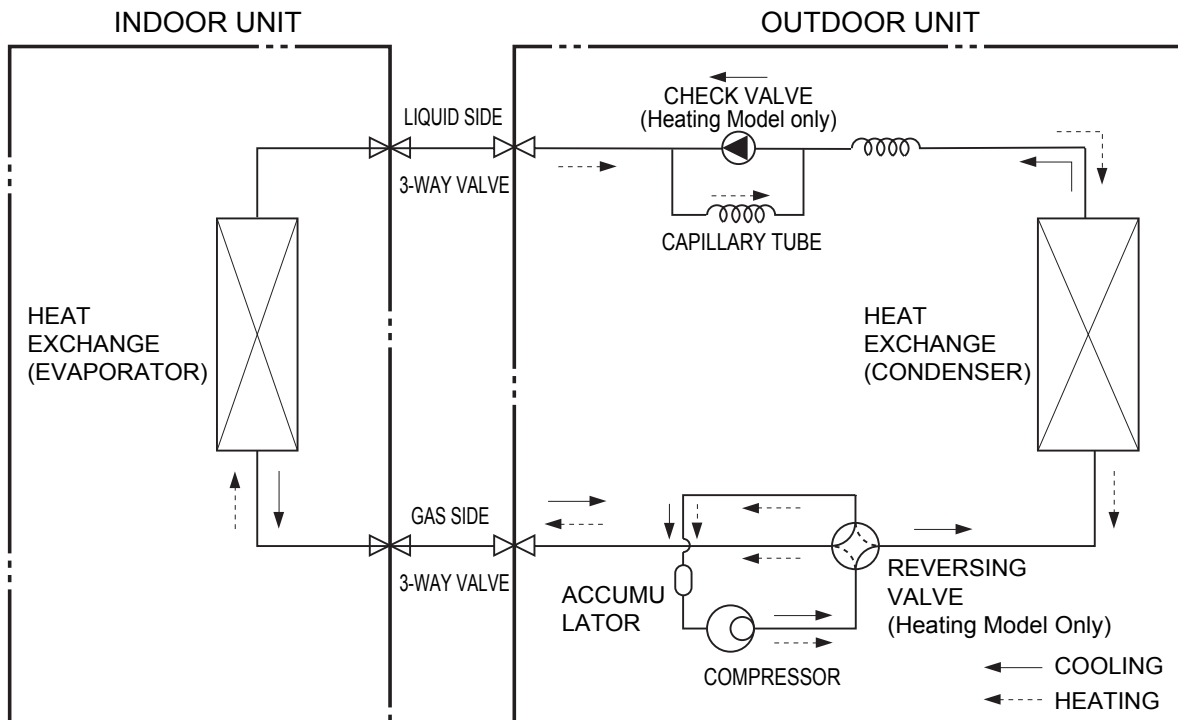
※ The specification may be subject to change without prior notice for purpose of improvement.

## 2. Piping Diagrams



LOC.	Description	PCB Connector
Th1	Thermistor for indoor air temperature	CN-TH1
Th2	Thermistor for evaporating temperature	

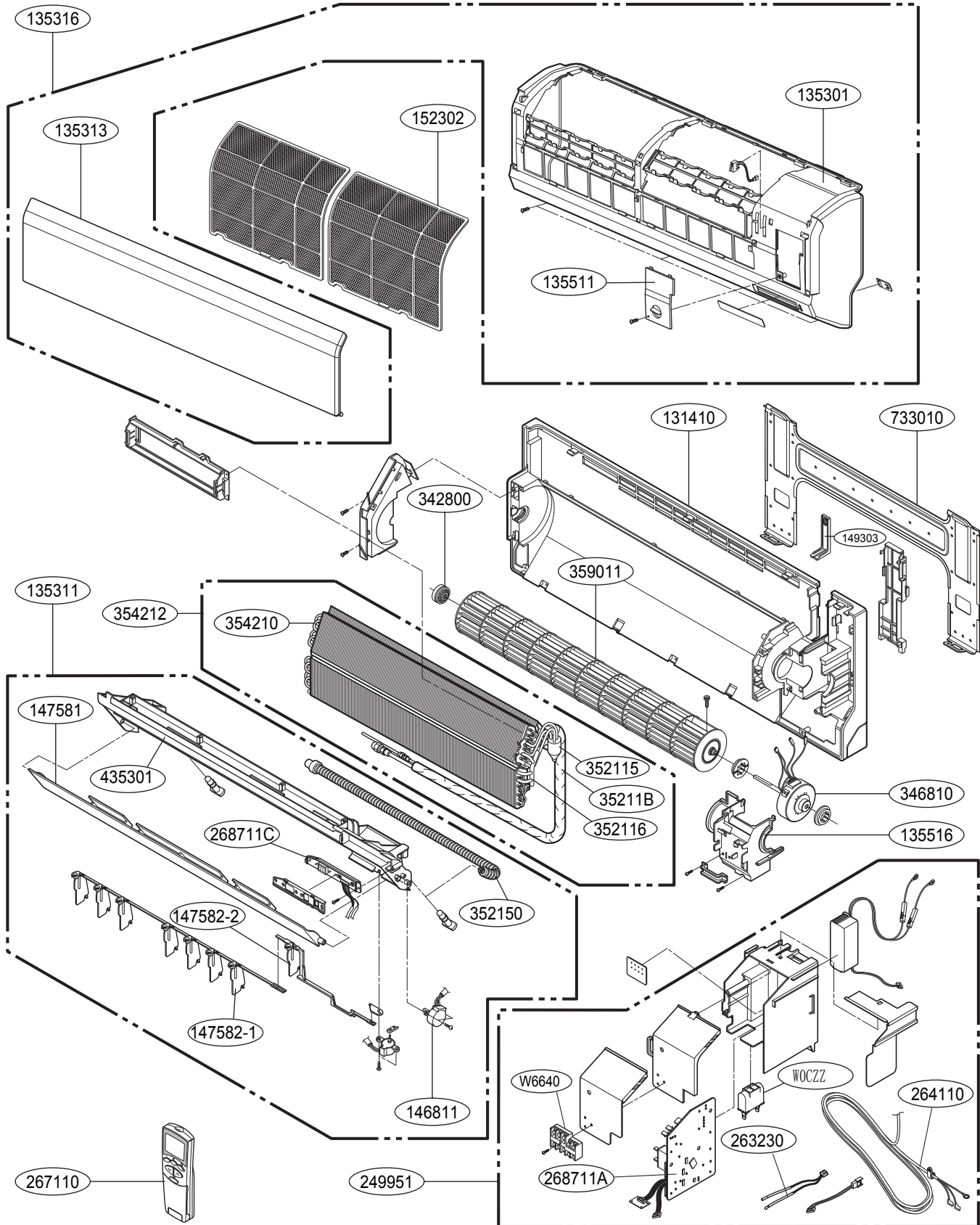
### (2) Cooling & Heating Models





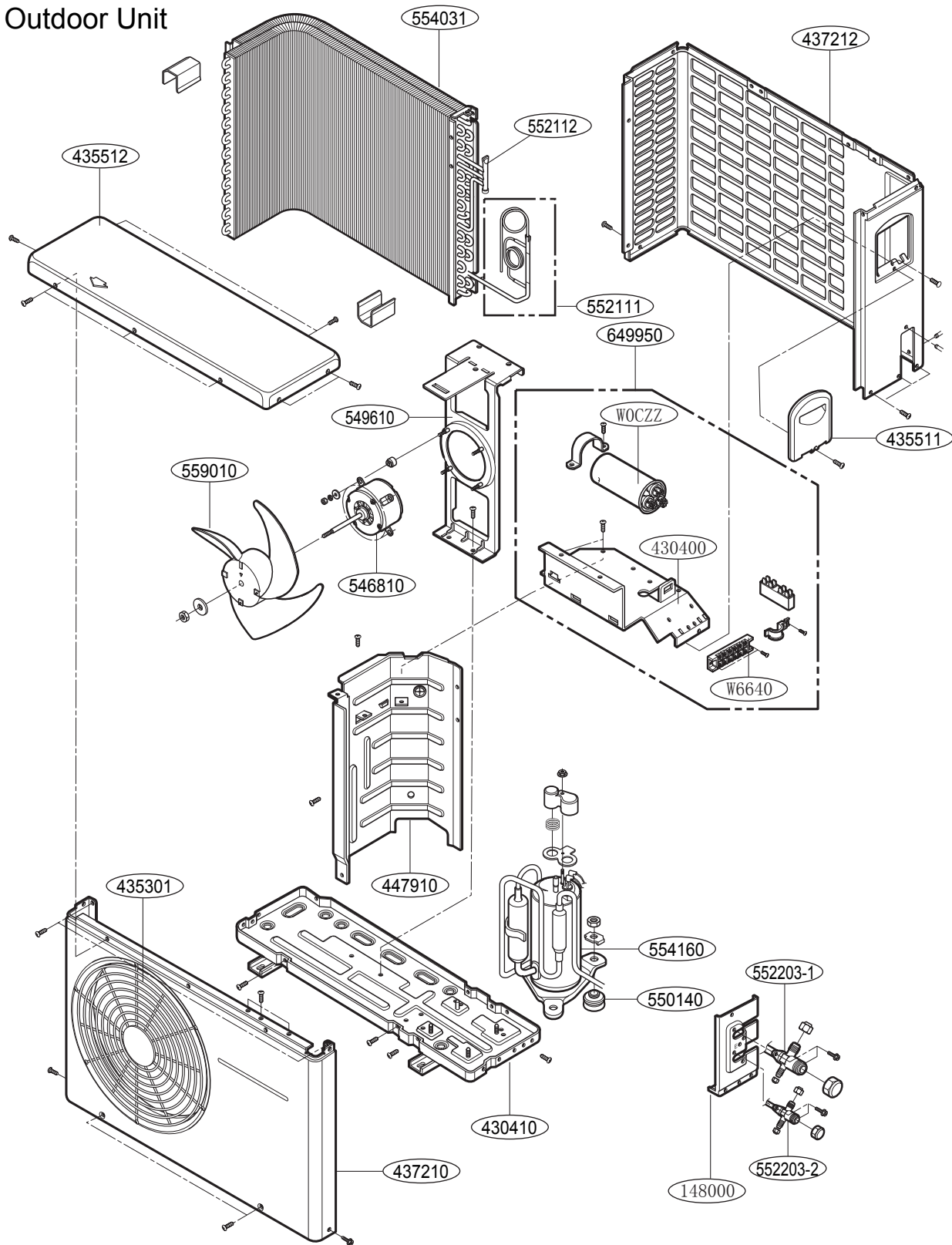
# Exploded View

## 1. Indoor Unit



# Exploded View

## Outdoor Unit





P/NO : MFL58884505

SEP, 2008



## Free Manuals Download Website

<http://myh66.com>

<http://usermanuals.us>

<http://www.somanuals.com>

<http://www.4manuals.cc>

<http://www.manual-lib.com>

<http://www.404manual.com>

<http://www.luxmanual.com>

<http://aubethermostatmanual.com>

Golf course search by state

<http://golfingnear.com>

Email search by domain

<http://emailbydomain.com>

Auto manuals search

<http://auto.somanuals.com>

TV manuals search

<http://tv.somanuals.com>