



ENGLISH

ESPAÑOL

FRANÇAIS

INSTALLATION MANUAL DISHWASHER

Please read these instructions thoroughly before installing and operating the dishwasher.



3828DD3003L

www.lg.com

TABLE OF CONTENTS

3 IMPORTANT SAFETY INSTRUCTIONS

- 3 Grounding Instructions

4 INSTALLATION INSTRUCTIONS

- 4 Parts Supplied
- 4 Materials You May Need
- 4 Tools You May Need
- 5 Dishwasher Specifications
- 6 Step 1: Prepare Cabinet Opening
- 7 Step 2: Prepare Electrical Wiring
- 8 Step 3: Prepare Water Supply Connection
- 8 Step 4: Prepare the Dishwasher
- 9 Step 5: Remove Toe Kick
- 9 Step 6: Slide Dishwasher Into Cabinet
- 10 Step 7: Level Dishwasher
- 11 Step 8: Secure Dishwasher to the Countertop
- 12 Step 9: Drain Line Connection
- 13 Step 10: Water Supply Connection
- 13 Step 11: Electrical Power Connection
- 13 Step 12: Final Check

Please read this guide thoroughly before installation.

IMPORTANT SAFETY INSTRUCTIONS

WARNING

When installing and using your dishwasher, follow basic precautions, including the following:

- Disconnect electrical power before you start!
- All electrical wiring and grounding must be done in accordance with nation and local codes.
- If electrical supply is damaged, it must only be replaced by the manufacturer or its service agent or a similar qualified person in order to avoid a hazard.
- This dishwasher must be connected to a hot water supply between 120°F (49°C) and 149°F (65°C). This temperature range provides the best washing results and shortest cycle time. Temperature should not exceed 149°F (65°C) to prevent damage to dishes.
- This appliance must be positioned near to an electrical power supply.
- The appliance is to be connected to the water supply using new hoses. Old hoses should not be reused.
- Check the dishwasher for any damage before trying to install it. If you find any damage to the dishwasher, please contact your dealer or builder immediately.
- To reduce the risk of electric shock, fire, or injury to persons, the installer must ensure that the dishwasher is completely enclosed at the time of installation.

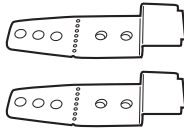
GROUNDING INSTRUCTIONS

For a permanently connected dishwasher:

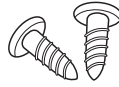
This appliance must be connected to a grounded metal, permanent wiring system, or an equipment-grounding conductor must be run with the circuit conductors and connected to the equipment-grounding terminal or lead on the appliance.

※ **LG Electronics is not responsible for any product failure or damage that is caused by improper installation.**

PARTS SUPPLIED (See page 11 for installation of bracket)



MOUNTING BRACKETS

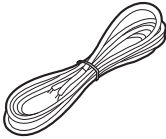


WOOD SCREWS

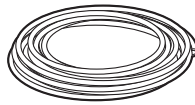


HOSE CLAMP

MATERIALS YOU MAY NEED (not provided)



ELECTRICAL CABLE



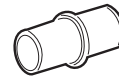
WATER SUPPLY TUBE



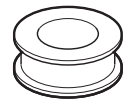
90° ELBOW with 3/8" N.P.T.
external pipe threads



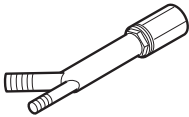
FITTINGS
FOR TUBE



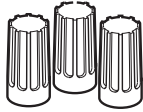
RUBBER
CONNECTOR



TEFLON™
TAPE



AIR GAP



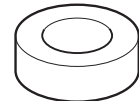
WIRE NUTS
to 16-gauge wiring



HOSE CLAMP

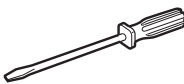


STRAIN RELIEF
7/8" UL approved strain relief



ELECTRICAL TAPE

TOOLS YOU MAY NEED



STANDARD
SCREWDRIVER



PHILLIPS
SCREWDRIVER



HOLE SAW
Min. 2 1/2" bit



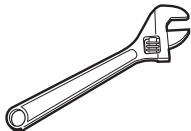
ELECTRICAL
DRILL



GLOVES



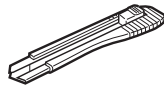
SAFETY
GLASSES



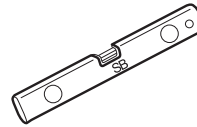
ADJUSTABLE
WRENCH



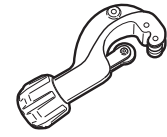
TAPE
MEASURE



CUTTING
KNIFE



LEVEL



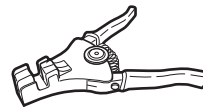
TUBING
CUTTER



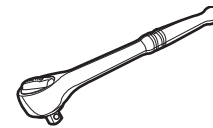
NIPPER



PLIERS

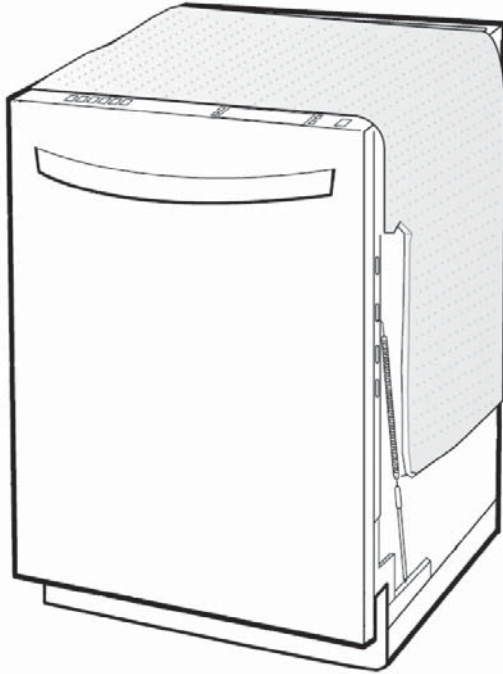


WIRE STRIPPER

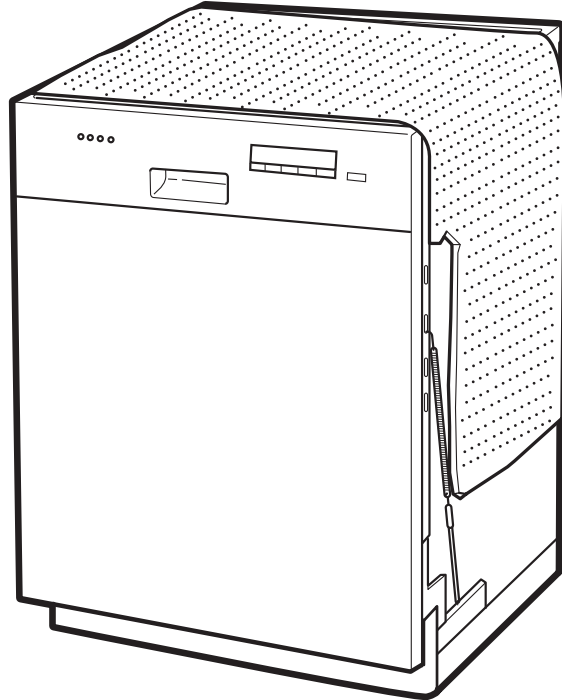


1/4" SQUARE DRIVE WRENCH

DISHWASHER SPECIFICATIONS



FULLY INTEGRATED



SEMI-INTEGRATED

SPECIFICATIONS

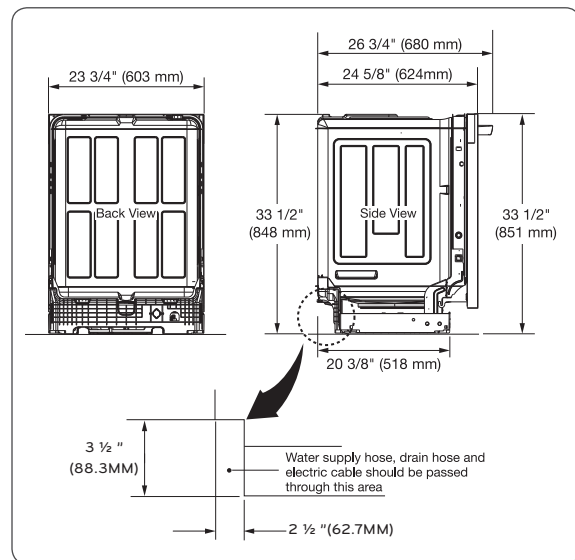
- Power supply: 120V, 60Hz AC only
- Water Pressure: 20-120 psi (140-830 kPa)
- Product Dimension (WxDxH)
23 3/4" x 24 5/8" x 33 1/2"
(603 mm x 625 mm x 851 mm)
- Water Temperature: 120°F (49°C)

Specifications are subject to change without notice.

NOTE

The features on your dishwasher may vary from the illustrations shown.

PRODUCT DIMENSIONS



These installation instructions are intended for use by Qualified Installers.

STEP 1: PREPARE CABINET OPENING

1. This dishwasher is designed to fit a standard dishwasher opening as shown in Fig. 1.
2. Select a location as close to sink as possible for easy connections to water and drain lines.
3. To ensure proper drainage, the dishwasher should not be installed more than 12 ft. (3.65 m) from the sink.
4. If dishwasher is to be installed in a corner, a minimum of 2 in. (50 mm) is required between the dishwasher and an adjacent wall.
5. To allow for proper clearance of plumbing and electrical, use the template included with the literature to determine the clearance on the side of the cabinet where the cabinet meets the back wall. Using a 2 1/2" diameter hole saw, drill a hole in the target area as shown on the template. **DO NOT USE AN EXISTING HOLE UNLESS IT IS IN THE TARGET AREA.**

NOTE

Failure to properly locate the hole for the water and drain lines may prevent the dishwasher from installing flush with the cabinets and could result in kinked or damaged lines. Installation damage is not covered by the warranty, and leaks caused by improper installation can result in property damage.

FIG. 1

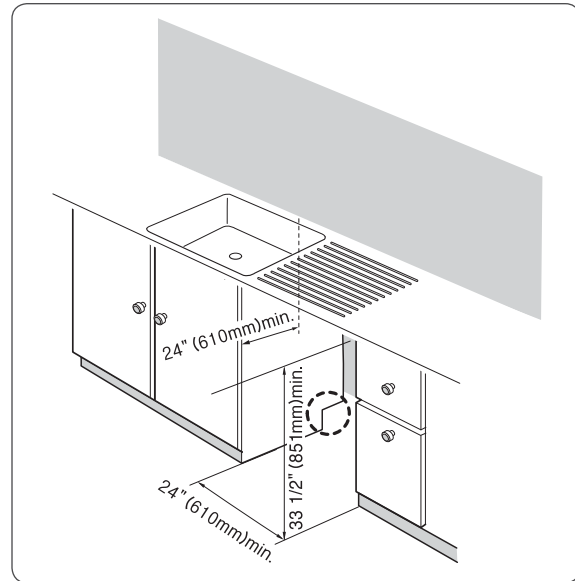
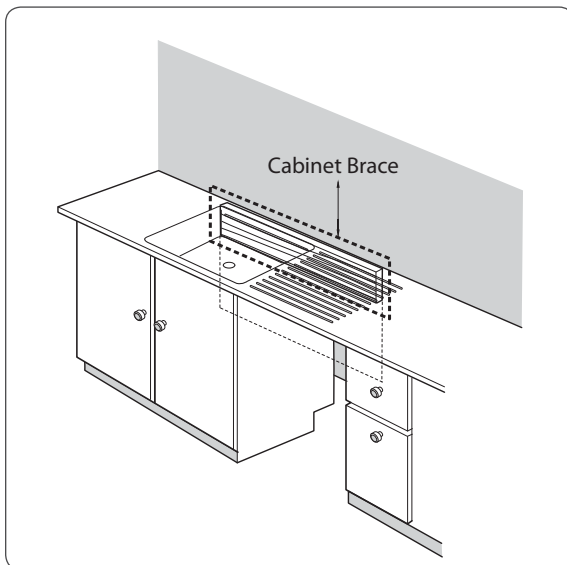
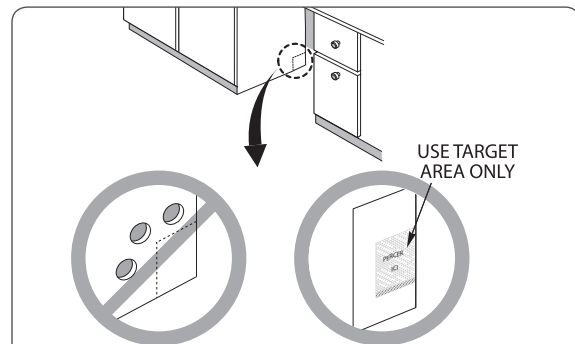


FIG. 2



For flush installations ONLY, you may remove the cabinet brace inside the cabinet.

FIG. 3



WARNING

DON'T USE EXISTING HOLES UNLESS THEY ARE IN THE TARGET AREA.

Otherwise, the Water Supply and Drain hose can be damaged by being crushed or kinked.

An opening may be needed on both sides to route plumbing and electrical connections.

These installation instructions are intended for use by Qualified Installers.

⚠ WARNING

For personal safety, remove house fuse or open circuit breaker before installation. Do not use an extension cord or adapter plug with this dishwasher. Electrical and grounding connections must comply with the National Electrical Code/provincial and municipal code and/or other local codes.

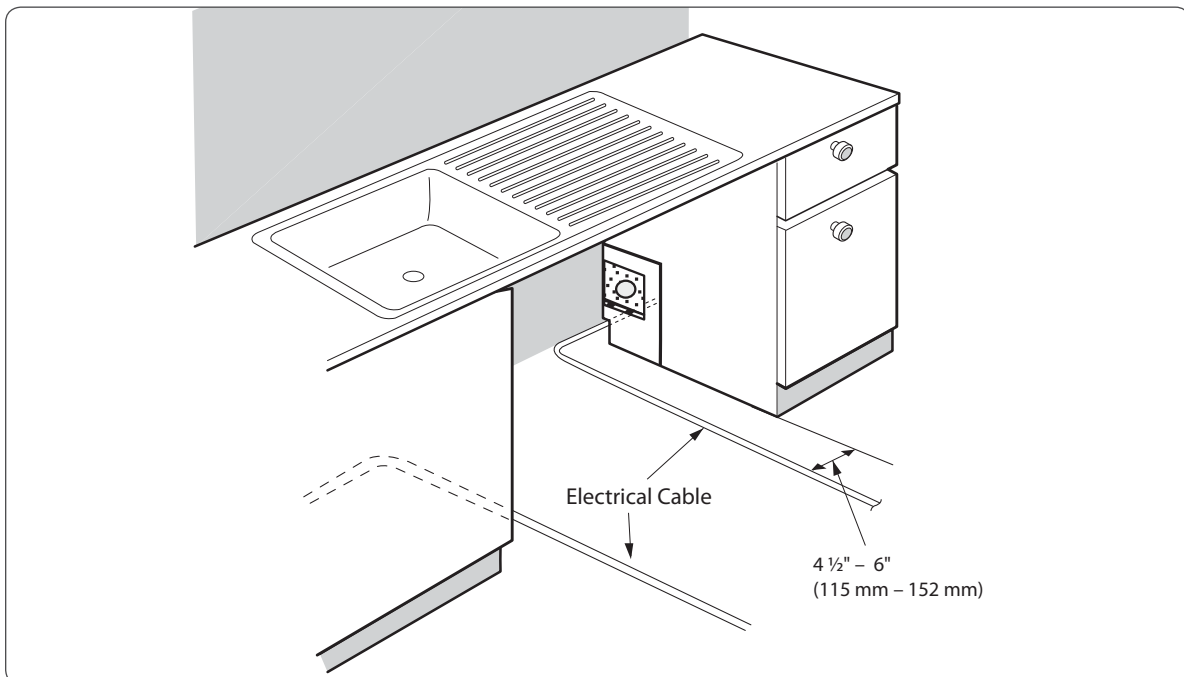
STEP 2: PREPARE ELECTRICAL WIRING

1. This appliance must be operated with correct voltage as shown in this manual and on the rating plate, and connected to a dedicated properly grounded branch circuit, protected by a time-delay fuse. Wiring must be 3 wires including ground.
2. If an outlet and a three-prong power cord is used, it should be in an accessible location adjacent to and not behind the dishwasher and within 4 ft. (1.2 m) of the dishwasher side.
3. The wiring or cord must be grounded properly. If in doubt, have it checked by a qualified electrician. Do NOT connect any other appliance to the same outlet.
4. The wiring or cord must be routed as shown in Fig. 4 below.
5. Make sure electrical cable is oriented in the bottom channels as shown in the figure below.

! NOTE

If you find any damage to the dishwasher, please contact your dealer or builder immediately. The included wire nut in 16AWG should be used

FIG. 4



These installation instructions are intended for use by Qualified Installers.

STEP 3: PREPARE WATER SUPPLY CONNECTION

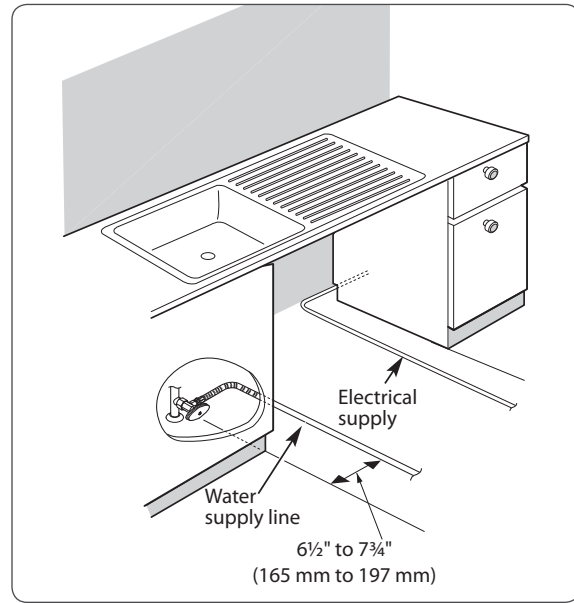
Make sure the house water supply is turned off before connecting the dishwasher water lines.

1. This dishwasher must be connected to a hot water supply between 120°F (49°C) and 149°F (65°C). This temperature range provides the best washing results and shortest cycle time. To prevent damage to dishes, temperature should not exceed 149°F (65°C).
2. When connecting the dishwasher water line, sealing tape or compound should be used on pipe threads to avoid leaks. Tape or compound should not be used on compression fittings.
3. The water supply tube must be located in the left side channel as shown in the figure.

! NOTE

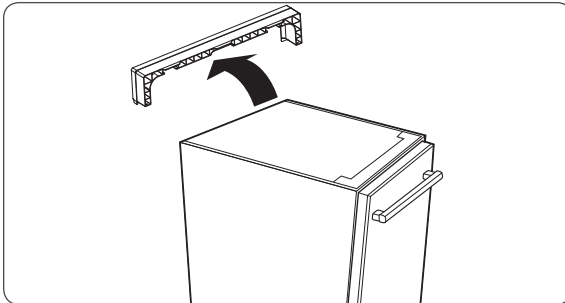
The instructions for appliances connected to the water mains by detachable hose-sets shall state that the new hose-sets supplied with the appliance are to be used and that old hose-sets should not be re-used.

FIG. 5



STEP 4: PREPARE THE DISHWASHER

FIG. 6

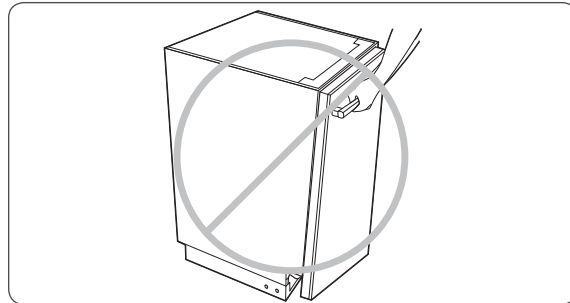


Remove the rear plastic shipping brace for clearance and ease of installation.

! WARNING

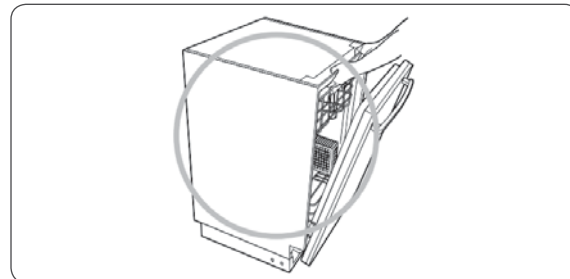
Don't pull or lift with the handle; doing so can damage the door and hinges. Open door and grab body frame and top front opening of tub..

FIG. 7



Never move the dishwasher by the handle. This can cause damage to the dishwasher.

FIG. 8



Always move the dishwasher by gripping the top frame.

These installation instructions are intended for use by Qualified Installers.

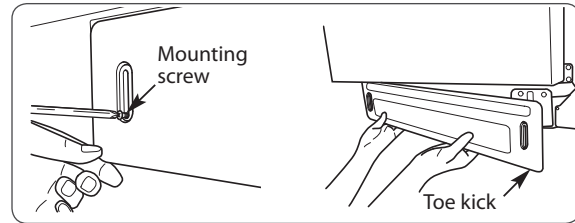
! NOTE

If at any time the dishwasher is laid on its back, take care not to damage the drain hose.

STEP 5: REMOVE TOE KICK

- Remove the two screws attaching the lower cover to the dishwasher.
- Remove the lower cover from the base.
- Remove the insulation pad from behind the access panel.

FIG. 9



STEP 6: SLIDE DISHWASHER INTO CABINET

- Before sliding the unit into place you will need to attach the mounting brackets. See page 10 for mounting bracket instructions.
- Before sliding the dishwasher into place, raise the dishwasher by adjusting the front and rear legs of the dishwasher to the approximate height of the opening. Although you will need to make fine tune adjustments after it is in place, this method will minimize those adjustments.
- Slide the dishwasher carefully into the cabinet opening.
- Make sure the drain hose inside the cabinet is not kinked or pinched.
- Make sure the water supply line and electrical supply are routed through the channels under the dishwasher as shown in Fig. 10.
- To avoid kinked or pinched drain hose, be sure to pull on the drain hose while you slide the dishwasher into place, not allowing any slack behind the dishwasher.
- Connect Water supply line to L Type Valve. Fig. 10-1
- After leveling the dishwasher, do not leave the watersupply hose or power supply line under the sump. This is a potential cause of water leaks. Place the water line and the power supply line beside the sump. Fig. 10-2

FIG. 10

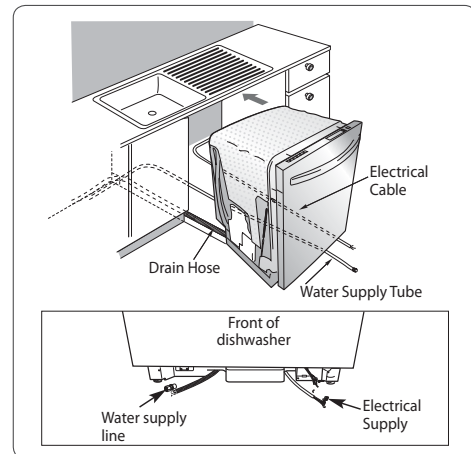


FIG. 10-1

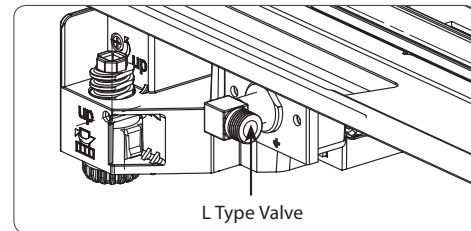
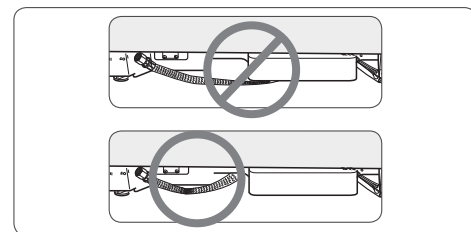
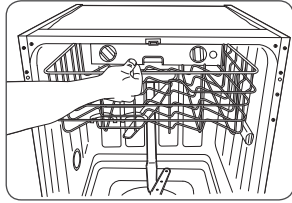


FIG. 10-2

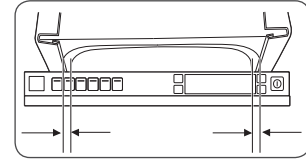


STEP 7: LEVEL DISHWASHER

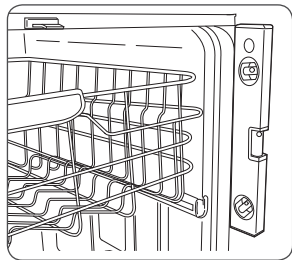
1. Make sure that the dishwasher is level. Place level on the top front opening of the tub from side to side.



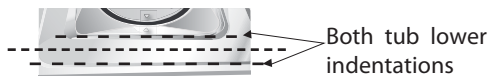
2. Make sure that the gap between the door and the tub is equal on both the left and right sides.



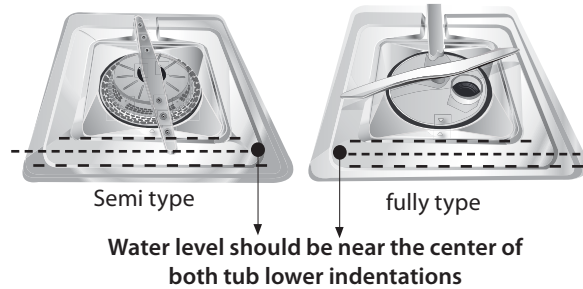
3. Make sure that the dishwasher is plumb. Place level on the front side of the cabinet.



4. The water level should be checked after the initial fill on the Normal cycle. If the water level is not near the center of both tub lower indentations (see photos), the dishwasher may not be correctly leveled. Not correctly leveling the dishwasher could create leaks during operation



Both tub lower indentations

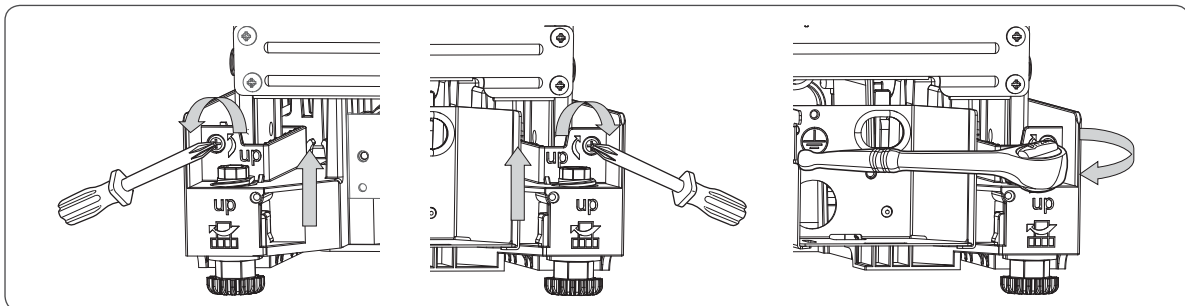


Semi type

fully type

Water level should be near the center of both tub lower indentations

HOW TO ADJUST LEG



- When adjusting the rear legs of the dishwasher, use a Phillips #2 screwdriver to make the adjustments.
- To raise the back of the dishwasher, lower the legs turning the screw in the direction of the arrow printed on the base of the unit. To lower the rear of the dishwasher, turn the screw in the opposite direction of the arrow.

! NOTE

The right and left side rear adjustments are opposite of each other.

- For the front leg adjustments you can use a 1/4" ratchet without a socket. The ratchet can do directly onto the front leg and turned to the right to raise the front of the dishwasher. Turn the ratchet to the left to lower the front of the dishwasher. For the front legs the left and right side adjustments work identical.

STEP 8: SECURE DISHWASHER TO THE COUNTERTOP

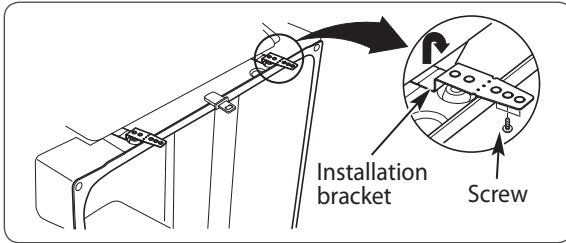
For countertops made of wood or that will not be damaged by drilling, use Method 1.

For countertops made of granite, marble, or other materials that could be damaged by drilling, use Method 2.

IMPORTANT TIPS

- Cover the filter hole with towels to prevent screws from falling down into the pump.
- Use of a magnetic driver is recommended

FIG. 11



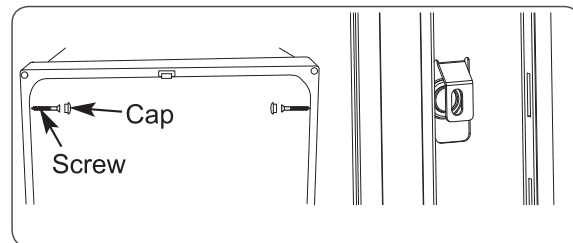
METHOD 1 (Fig. 11)

1. Insert the installation brackets into the slot.
2. Bend the brackets to secure them to the dishwasher tub.
3. Using the provided screws, secure the dishwasher to the countertop through the holes in the bracket.

! NOTE

Installation brackets and screws can be located in the silverware basket.

FIG. 12

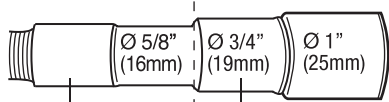


METHOD 2 (Fig. 12)

1. Remove the plastic caps on the mounted bracket access holes.
2. Drive a wood screw through the mounted bracket and into the cabinet frame.
3. Reinstall the plastic caps.

STEP 9: DRAIN LINE CONNECTION

1. If the end of the drain hose does not fit the drain line, use a heat and detergent resistant adapter (not supplied). One may be obtained from a local plumbing shop.
2. The 2 typical connections are shown in Figs. 13 and 15. To prevent siphoning, one of the following connections should be used.

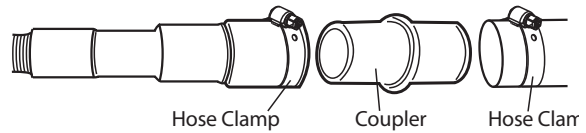


For disposal or waste tee connections

For air gap connections, cut off drain hose at dotted line

DRAIN REQUIREMENTS

- Follow local codes and ordinances.
- Do not exceed 12 ft. (3.65 m) distance to drain.
- Do not connect drain lines from other devices to the dishwasher drain hose.
- If an extension drain hose is required, use 5/8" or 7/8" inside diameter, 2-3 ft. length hose and a couplet for connecting the two hose ends.



* For drain hose installation, it is recommended to use the screw style clamp provided with this dishwasher in the silverware basket.

CONNECTION TO DISPOSER OR WASTE TEE

FIG. 13

This loop of the drain hose must be a minimum of 20" (508 mm) to protect the unit from getting a backflow of water from the sink.

NOTE
When installing the drain hose to a disposer, be sure that the plug on the disposer has been removed. If the disposer plug has not been removed, the dishwasher will not be able to drain properly.

Be sure to follow all mfg. instructions, for the disposer, when removing the plug.

CONNECTION TO AIR GAP

FIG. 14

This loop of the drain hose must be a minimum of 20" (508mm) to protect the unit from getting a backflow of water from the sink

The height of the drain hose end must be over 10" from the bottom to avoid water being siphoned from the tub.

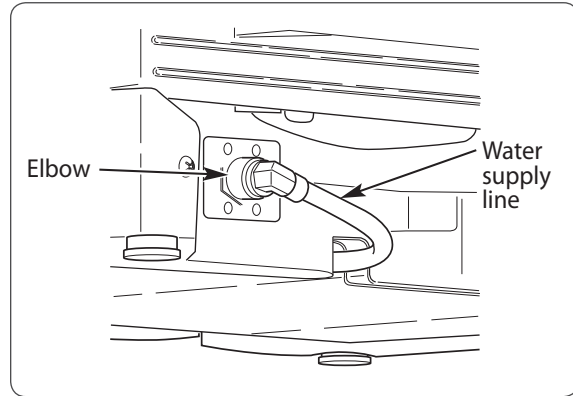
STEP 10: WATER SUPPLY CONNECTION

1. Before connecting, turn off the water supply.
2. After fitting the elbow into the inlet valve, slide the flexible stainless-steel water line or copper tube into the elbow.
3. Tighten the compression nut and make sure that the line is not kinked or pinched.

NOTE

While testing the dishwasher, after the installation is complete, an IE code appears on the display. It may be due to a kinked water line or water supply to the dishwasher has been turned on. Check this before calling for service.

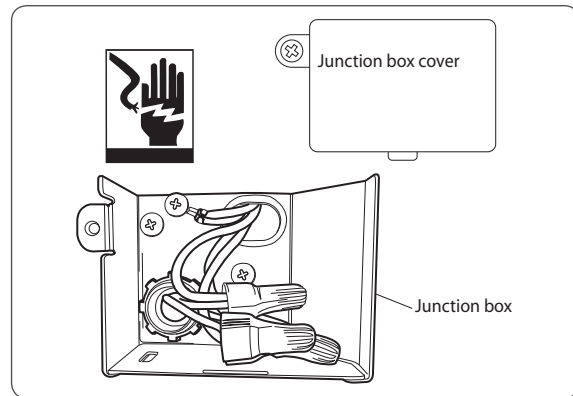
FIG. 15



STEP 11: ELECTRICAL POWER CONNECTION

1. Before beginning, turn off electrical power to the unit at the circuit breaker.
2. Remove the junction box cover and then install the strain relief.
3. Twist wire connectors tightly onto the wires; then wrap each connection with electrical tape.
4. Check again and make sure that all wires are connected correctly: black to black, white to white, green ground wire to green ground wire.
5. Replace the junction box cover.

FIG. 16



CAUTION

Verify that the black wire is hot (120V). If not, or if you are unsure of the power supply, have it checked by a licensed electrician.

STEP 12: FINAL CHECK

1. Turn on electrical power.
2. Turn on house water supply.
3. Run the dishwasher on a normal cycle to verify proper operation and check for leaks.
4. Replace the toekick panel.

NOTE

If during the final check of the dishwasher an error code appears, reference the chart below before calling for service.

Codes: "OE"

- #1 It may be due to a kinked or pinched drain hose. To avoid this issue be sure to pull on the drain hose while you slide the dishwasher into place not allowing any slack behind the dishwasher.
- #2 The dishwasher drain hose was connected to a disposal. Verify that the knockout on the disposal has been removed.

Codes: "IE"

- #1 Check to make sure the water supply line to the dishwasher has been turned on.
- #2 Check to make sure that the water supply line is not kinked under the dishwasher.

ÍNDICE

15 IMPORTANTES INSTRUCCIONES DE SEGURIDAD

- 15 Instrucciones de Conexión a Tierra

16 INSTRUCCIONES PARA LA INSTALACIÓN

- 16 Piezas Incluidas
- 16 Materiales Que Puede Necesitar
- 16 Herramientas Que Puede Necesitar
- 17 Especificaciones del lavavajillas
- 18 Paso 1: Prepare la Abertura del Gabinete
- 19 Paso 2: Prepare el Cableado Eléctrico
- 20 Paso 3: Prepare la Conexión de Suministro de Agua
- 20 Paso 4: Prepare el Lavavajillas
- 21 Paso 5: Quite la Placa de Protección
- 21 Paso 6: Deslice el Lavavajillas dentro del Gabinete
- 22 Paso 7: Nivele el Lavavajillas
- 23 Paso 8: Asegure el Lavavajillas a la Encimera
- 24 Paso 9: Conexión de la Línea de Desagüe
- 25 Paso 10: Conexión del Suministro de Agua
- 25 Paso 11: Conexión de Energía Eléctrica
- 25 Paso 12: Revisión Final

Lea esta guía atentamente antes de la instalación.

IMPORTANTES INSTRUCCIONES DE SEGURIDAD

ADVERTENCIA

Cuando instale o use su lavavajillas, siga precauciones básicas, incluyendo las siguientes:

- ¡Desconecte la energía eléctrica antes de comenzar!
- Todo el cableado eléctrico y la conexión a tierra debe efectuarse de acuerdo con los códigos nacionales y locales.
- Si el suministro eléctrico está dañado, únicamente debe reemplazarlo el fabricante o su agente de servicio técnico o una persona calificada similar a fin de evitar riesgos.
- Este lavavajillas debe conectarse a un suministro de agua caliente entre 120°F (49°C) y 149°F (65°C). Este rango de temperatura brinda los mejores resultados de lavado y el ciclo de tiempo más corto. La temperatura no debe superar los 149°F (65°C) para evitar daños a la vajilla.
- Este aparato debe colocarse cerca de un suministro de energía eléctrica.
- El aparato debe conectarse al suministro de agua utilizando mangueras nuevas. No deben utilizarse mangueras viejas.
- Verifique que el lavavajillas no esté dañado antes de instalarlo. Si encuentra algún daño en el lavavajillas, comuníquese de inmediato con su vendedor o fabricante.
- A fin de reducir el riesgo de descarga eléctrica, o heridas personales, el instalador debe asegurarse de que el friegaplatos está totalmente cerrado en el momento de la instalación.

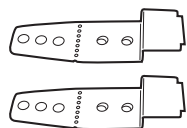
INSTRUCCIONES DE CONEXIÓN A TIERRA

Para un lavavajillas conectado en forma permanente:

Este electrodoméstico debe conectarse a un sistema de cableado permanente con conexión a tierra o debe utilizarse un conductor de conexión a tierra del equipamiento con los conductores de circuito, y debe conectarse a la terminal de conexión a tierra o conductor del aparato.

※ **LG Electronics no se hace responsable por cualquier defectos o fallas del producto que son causadas por la instalación incorrecta.**

PIEZAS INCLUIDAS (Ver página 23 para la instalación del soporte)



SOPORTES DE INSTALACIÓN



TORNILLOS PARA MADERA



ABRAZADERA

MATERIALES QUE PUEDE NECESITAR (no incluidos)



CABLE ELÉCTRICO



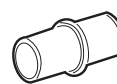
TUBERÍA PARA SUMINISTRO DE AGUA



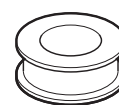
CODO DE 90° con rosca americana cónica externa de 3/8 pulg.



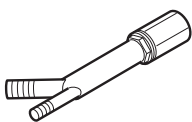
ACCESORIOS PARA TUBERÍA



CONECTOR DE GOMA



CINTA DE TEFLÓN™



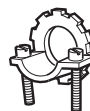
AIREADOR



CAPUCHONES AISLANTES para cables de calibre 16



ABRAZADERA

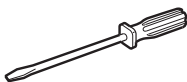


ALIVIADOR DE TENSION Aliviador de tensión de 7/8 pulg.

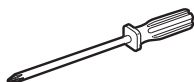


CINTA AISLANTE

HERRAMIENTAS QUE PUEDE NECESITAR



DESTORNILLADOR ESTÁNDAR



DESTORNILLADOR PHILLIPS



SIERRA COPA de 2,5 pulg. diámetro mínimo



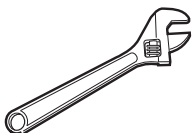
TALADRO ELÉCTRICO



GUANTES



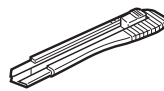
GAFAS DE SEGURIDAD



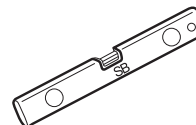
LLAVE AJUSTABLE



CINTA MÉTRICA



CUCHILLO



NIVEL



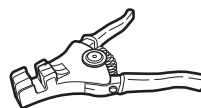
CORTADOR DE TUBERÍA



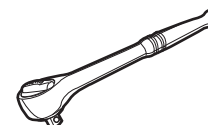
ALICATE



PINZA



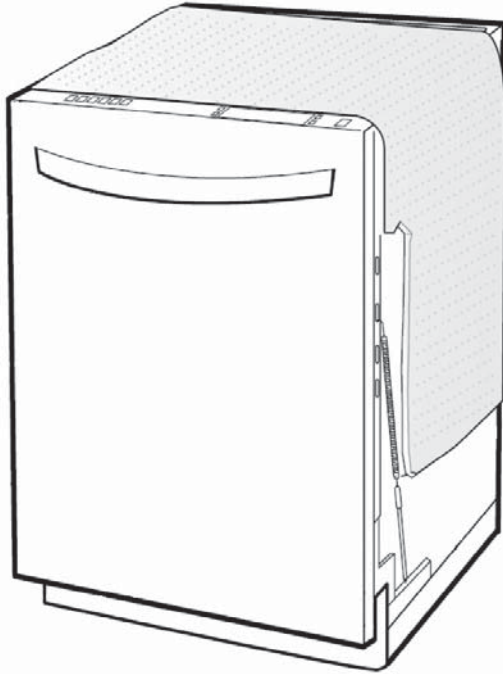
PELACABLES



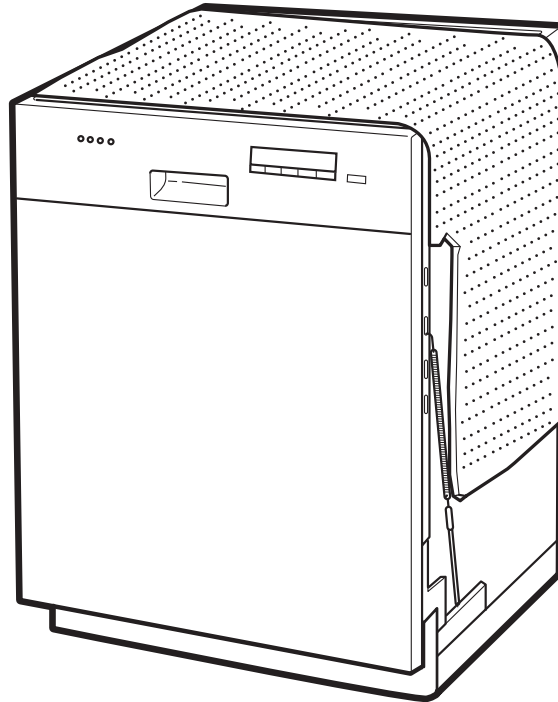
LLAVE TUBO CUADRADA DE 1/4 PULG.

ESPECIFICACIONES DEL LAVAVAJILLAS

ESPAÑOL



TOTALMENTE INTEGRADO



SEMI-INTEGRADO

ESPECIFICACIONES

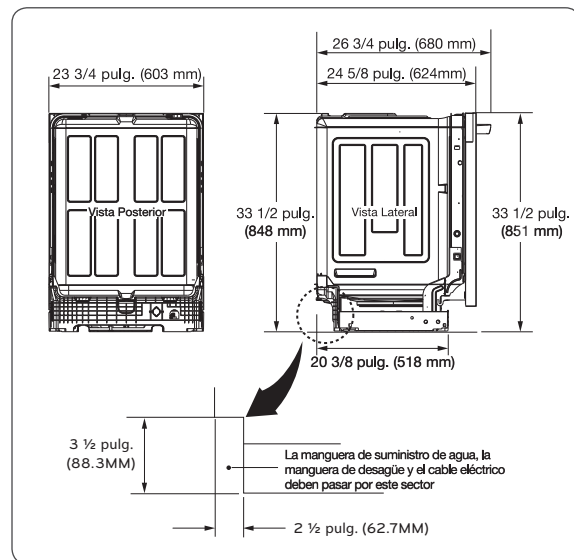
- Suministro de energía: únicamente corriente alterna de 120V a 60Hz
- Presión de agua: 20–120 psi (140–830 kPa)
- Dimensiones del producto (AxPxA)
23 3/4 pulg. x 24 5/8 pulg. x 33 1/2 pulg.
(603 mm x 625 mm x 851 mm)
- Temperatura del agua: 120°F (49°C)

Las especificaciones pueden sufrir cambios sin previo aviso.

! NOTA

Las características de su lavavajillas pueden diferir de las ilustraciones.

DIMENSIONES DEL PRODUCTO



Estas instrucciones de instalación están dirigidas para el uso de Instaladores Calificados.

PASO 1: PREPARE LA ABERTURA DEL GABINETE

1. Este lavavajillas está diseñado para entrar en una abertura estándar para lavavajillas, como puede verse en la Fig. 1.
2. Seleccione una ubicación lo más cercana posible a un fregadero para una fácil conexión a las líneas de agua y de desagüe.
3. Para garantizar un desagüe adecuado, no debe instalarse el lavavajillas a más de 12 pies (3.65 m) del fregadero.
4. Si va a instalarse el lavavajillas en una esquina, se requiere un mínimo de 2 pulgadas (50 mm) entre el lavavajillas y la pared adyacente.
5. Para dejar el espacio libre necesario destinado a tomas de agua y electricidad, use la plantilla incluida en la documentación para determinar el margen lateral desde el gabinete donde el mismo se encuentra con la pared posterior. Usando una sierra copa de 2 1/2" de diámetro, perfore un orificio en la zona correspondiente como se indica en la plantilla. **NO USE UN ORIFICIO EXISTENTE A MENOS QUE SE ENCUENTRE EN LA ZONA CORRESPONDIENTE.**

! NOTA

Un emplazamiento incorrecto del orificio destinado a las tomas de agua y electricidad podría impedir que el lavavajillas se instale en línea con los gabinetes, ocasionando dobleces y daños en las tomas. Los daños derivados de la instalación no quedan cubiertos por la garantía y las pérdidas provocadas por una instalación incorrecta pueden ocasionar daños a la propiedad. Debe usarse la tuerca para cable incluida en 16AWG

FIG. 1

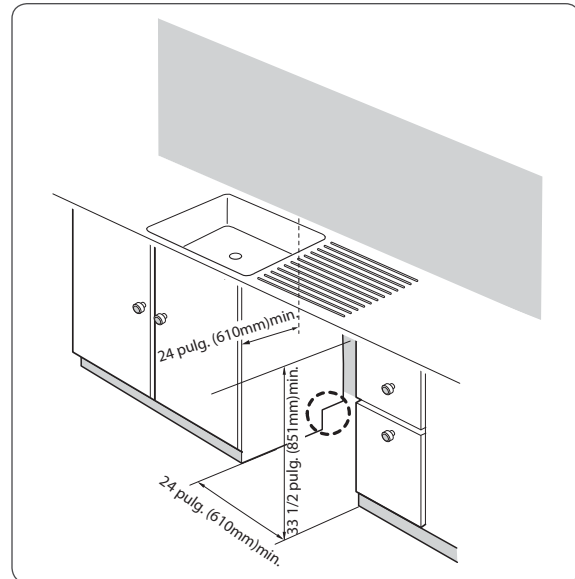
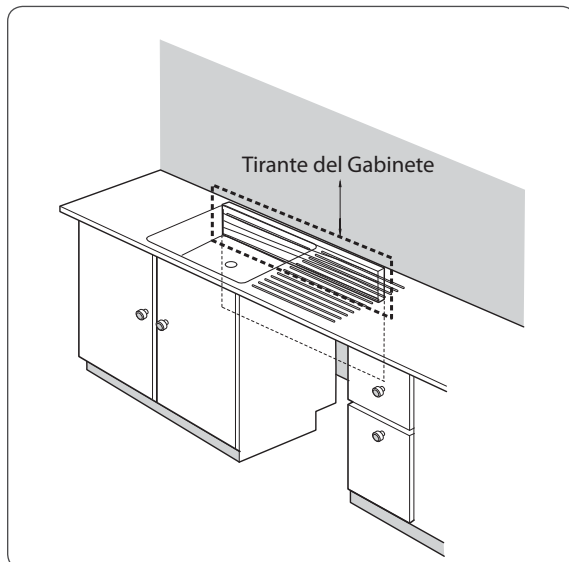


FIG. 2



ÚNICAMENTE en caso de las instalaciones a ras de la superficie, puede retirar el tirante del gabinete que se encuentra dentro del mismo.

FIG. 3



! ADVERTENCIA

NO UTILICE ORIFICIOS EXISTENTES SALVO QUE LOS MISMOS SE ENCUENTREN EN EL SECTOR CORRESPONDIENTE.

De lo contrario, el Suministro de Agua y la manguera de Desagüe podrían resultar dañados por compresión o dobleces.

Podría ser necesario realizar una abertura en ambos lados para dirigir las conexiones de plomería y de electricidad.

Estas instrucciones de instalación están dirigidas para el uso de Instaladores Calificados.

⚠ ADVERTENCIA

Para seguridad personal, quite el fusible o apague el interruptor de circuitos antes de comenzar la instalación. No utilice un cable prolongador o un enchufe adaptador con este lavavajillas. Las conexiones eléctricas y a tierra deben cumplir con el Código Eléctrico Nacional/código provincial y municipal y otros códigos locales.

ESPAÑOL

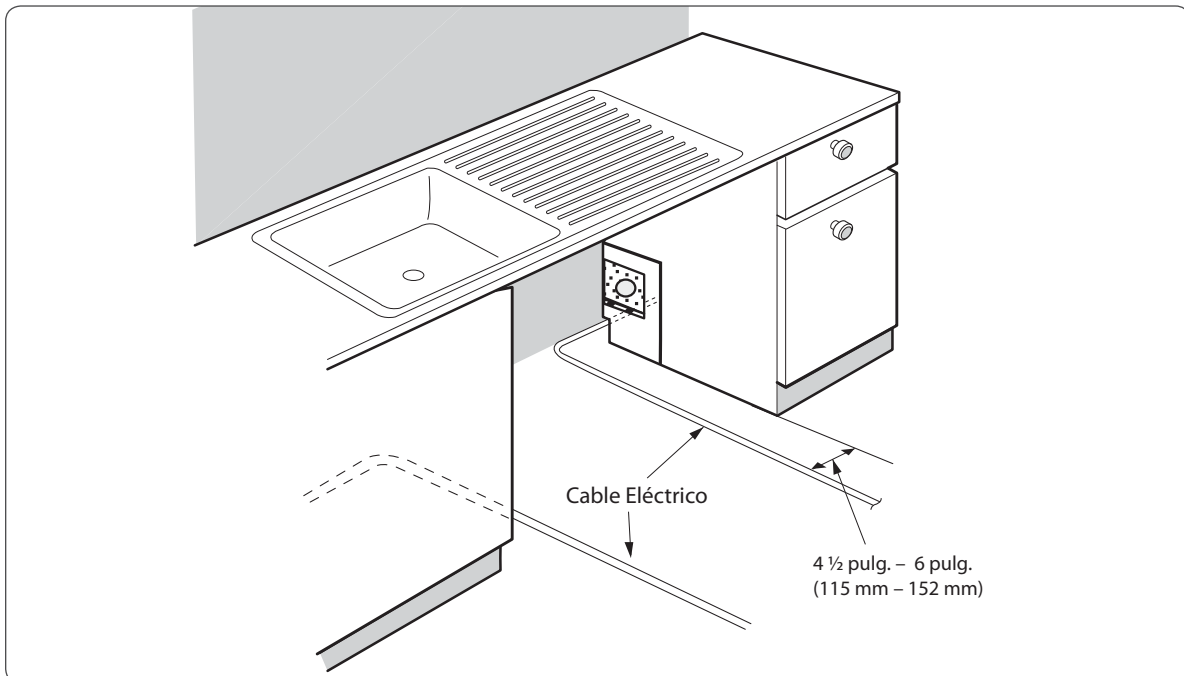
PASO 2: PREPARE EL CABLEADO ELÉCTRICO

1. Este aparato debe operarse con el voltaje correcto como se indica en este manual y en la placa de clasificación, y debe conectarse a un circuito derivado exclusivo con adecuada conexión a tierra, protegido por un fusible temporizado. El cableado debe ser de tres alambres incluyendo la conexión a tierra.
2. Si se usa un tomacorriente y un cable eléctrico de tres terminales, estos deberían estar situados en un emplazamiento adyacente accesible al lavavajillas (y no situado en su parte posterior), a una distancia no superior a 4 pies (1,2 m) del lateral del lavavajillas.
3. El cableado o cable debe estar conectado a tierra correctamente. Si tiene alguna duda, hágalo revisar por un electricista calificado. NO conecte otro electrodoméstico en el mismo tomacorriente.
4. El cableado o cable debe dirigirse como se indica en la Fig. 4 de abajo.
5. Asegúrese de que el cable eléctrico esté orientado en los canales inferiores como se indica en la figura siguiente.

! NOTA

Si encuentra algún daño en el lavavajillas, comuníquese de inmediato con su vendedor o fabricante. Debe usarse la tuerca para cable incluida en 16AWG

FIG. 4



Estas instrucciones de instalación están dirigidas para el uso de Instaladores Calificados.

PASO 3: PREPARE LA CONEXIÓN DE SUMINISTRO DE AGUA

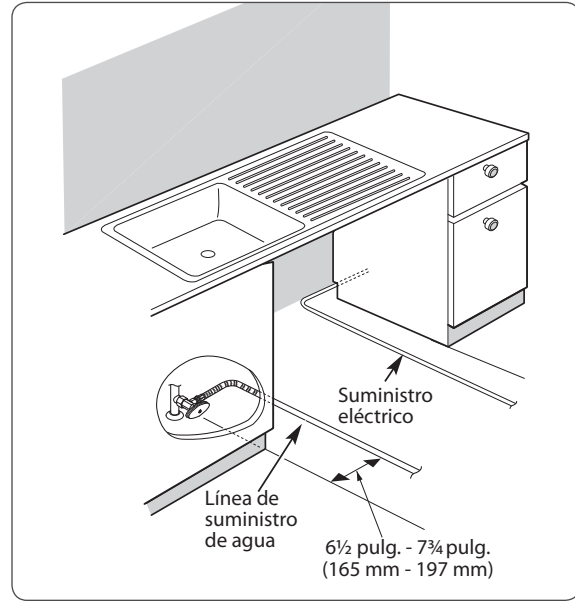
Verifique que el suministro de agua de la vivienda esté cerrado antes de conectar las líneas de agua del lavavajillas.

1. Este lavavajillas debe conectarse a un suministro de agua caliente entre 120°F (49°C) y 149°F (65°C). Este rango de temperatura brinda los mejores resultados de lavado y el ciclo de tiempo más corto. Para evitar daños a la vajilla, la temperatura no debe superar los 149°F (65°C).
2. Cuando conecte la línea de agua del lavavajillas, debe usarse cinta aislante o compuesto sellador en las roscas de la tubería para evitar pérdidas. No debe usarse cinta o compuesto en los accesorios de compresión.
3. La tubería de suministro de agua debe ubicarse en el canal del lado izquierdo como puede verse en la figura.

! NOTA

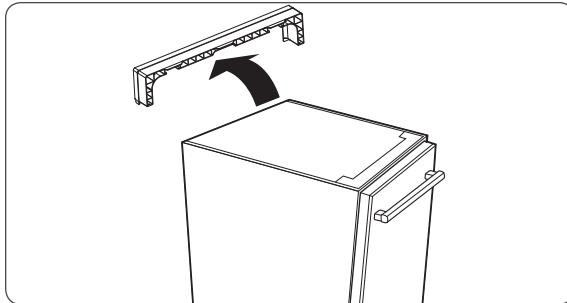
Las instrucciones para electrodomésticos conectados a la red de agua mediante mangueras desmontables establecerán que deben utilizarse las mangueras nuevas suministradas con el electrodoméstico y no deben reutilizarse las mangueras usadas.

FIG. 5



PASO 4: PREPARE EL LAVAVAJILLAS

FIG. 6

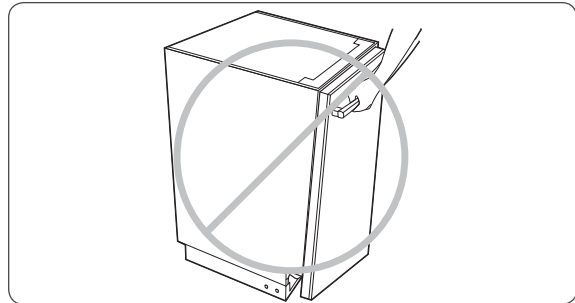


Retire la abrazadera plástica posterior para dejar el espacio libre necesario para una fácil instalación.

! ADVERTENCIA

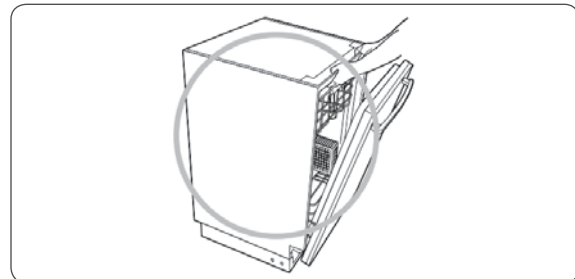
No desplace o levante nunca el lavavajillas usando su tirador; hacerlo podría dañar la puerta y las bisagras. Abra la puerta y tome del armazón del cuerpo y la abertura frontal superior del tambor.

FIG. 7



Nunca mueva el lavavajillas del tirador. Esto podría dañar el lavavajillas.

FIG. 8



Desplace el lavavajillas sujetando siempre el marco superior.

Estas instrucciones de instalación están dirigidas a instaladores calificados.

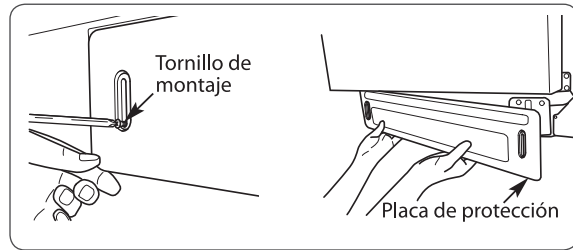
! NOTA

Si en cualquier momento, carga el lavavajillas por la parte trasera, tenga cuidado de no dañar la manguera de desagüe.

PASO 5: QUITE LA PLACA DE PROTECCIÓN

- Quite los dos tornillos que sujetan la cubierta inferior al lavavajillas.
- Quite la cubierta inferior de la base.
- Quite el paño aislante ubicado detrás del panel de acceso.

FIG. 9



PASO 6: DESLICE EL LAVAVAJILLAS DENTRO DEL GABINETE

- Antes de deslizar el lavavajillas a su ubicación, deberá colocar los soportes de instalación. Para obtener instrucciones sobre cómo colocar los soportes de instalación, consulte la pág. 11
- Antes de deslizar el lavavajillas a su ubicación, elévelo ajustando las patas delanteras y traseras hasta aproximadamente la altura de la abertura. Si bien deberá realizar algunos ajustes más detallados una vez que el lavavajillas esté en su lugar, este proceso minimizará esos ajustes.
- Deslice el lavavajillas con cuidado dentro de la abertura del gabinete.
- Asegúrese de que la manguera de desagüe ubicada dentro del gabinete no esté torcida ni pinzada.
- Asegúrese de que la línea de suministro de agua y el suministro eléctrico se dirijan a través de los canales ubicados debajo del lavavajillas, tal como se muestra en la Fig. 10.
- Para evitar que la manguera de desagüe se tuerza o pince, asegúrese de jalar la manguera de desagüe a medida que desliza el lavavajillas a su lugar, procurando que la misma quede tensa detrás del lavavajillas.
- Conecte la línea de suministro de agua a una válvula de tipo L. Fig. 10-1
- Después de nivelar el lavavajillas, no deje la manguera de suministro de agua o la línea de alimentación bajo el desagüe. Esto es una posible causa de fugas de agua. Coloque la línea de agua y la línea de alimentación junto al desagüe. Fig. 10-2

FIG. 10

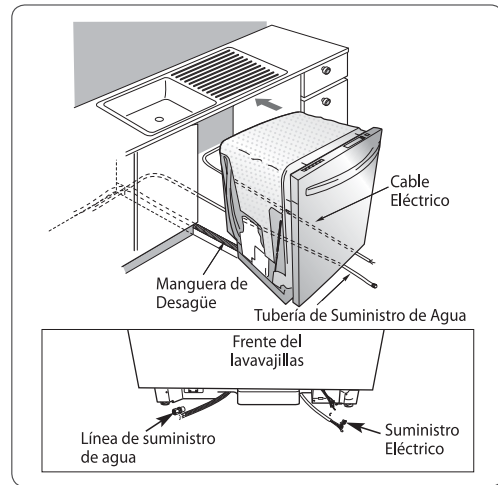


FIG. 10-1

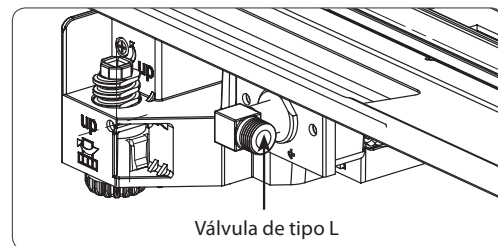
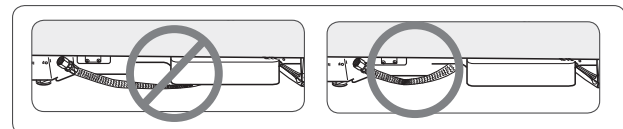
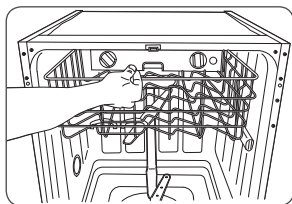


FIG. 10-2

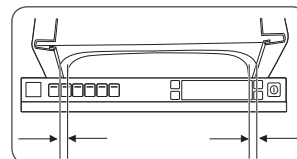


PASO 7: NIVELE EL LAVAVAJILLAS

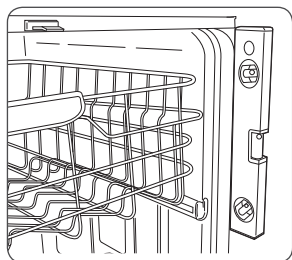
1. Asegúrese de que el lavavajillas esté nivelado. Coloque el nivel en la abertura frontal superior del tambor de lado a lado.



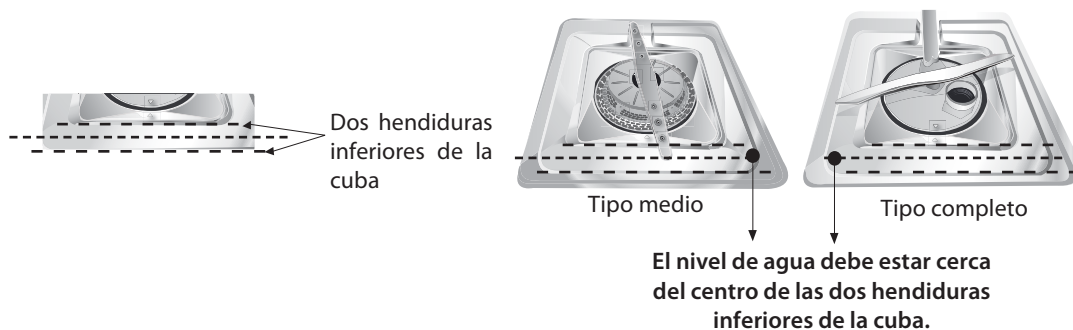
2. Asegúrese de que el espacio entre la puerta y el tambor sea igual en el lado izquierdo y el derecho.



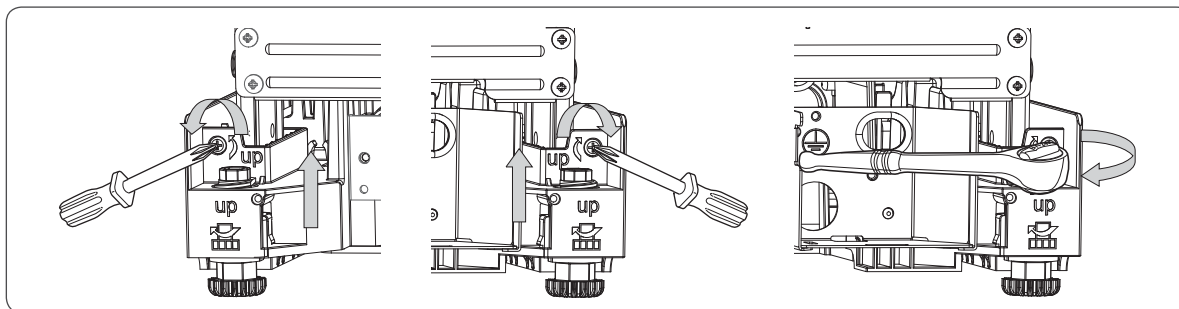
3. Asegúrese de que el lavavajillas esté a plomo. Coloque el nivel en el lado frontal del gabinete.



4. Debe comprobarse el nivel de agua tras el llenado inicial en el ciclo normal. Si el nivel de agua no está cerca del centro de las dos hendiduras inferiores de la cuba (ver imágenes), el lavavajillas podría no estar correctamente nivelado.



CÓMO AJUSTAR LAS PATAS



- Al ajustar las patas traseras del lavavajillas, utilice un destornillador Phillips N° 2 para realizar los ajustes.
- Para elevar la parte posterior del lavavajillas, baje las patas girando el tornillo en la dirección que indica la flecha impresa en la base de la unidad. Para bajar la parte posterior del lavavajillas, gire el tornillo en la dirección contraria a la flecha.

! NOTA

Los ajustes posteriores del lado derecho y el izquierdo son opuestos entre sí.

- Para ajustar las patas delanteras puede utilizar un trinquete para llave tubo de ¼ pulg. sin tubo. El trinquete puede usarse directamente en la pata delantera, girándose hacia la derecha para elevar el frente del lavavajillas. Gire el trinquete hacia la izquierda para bajar el frente del lavavajillas. Los ajustes derechos e izquierdos de las patas delanteras funcionan de manera idéntica.

PASO 8: ASEGURE EL LAVAVAJILLAS A LA ENCIMERA

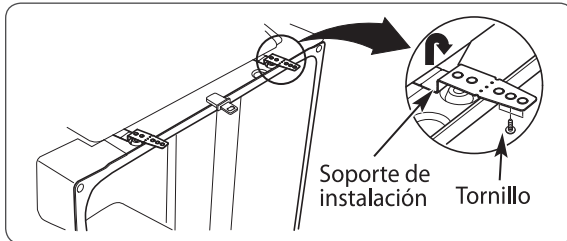
Para encimeras hechas de madera o que no se verán dañadas por la perforación, utilice el Método 1.

Para encimeras hechas de granito, mármol u otros materiales que podrían dañarse con la perforación, utilice el Método 2.

CONSEJOS IMPORTANTES

- Cubra el orificio del filtro con toallas para evitar que caigan tornillos dentro de la bomba.
- Se recomienda el uso de un destornillador magnético.

FIG. 11



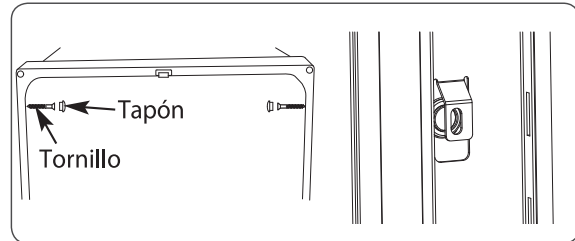
MÉTODO 1 (Fig. 11)

1. Inserte los soportes de instalación en la ranura.
2. Doble los soportes para asegurarlos al tambor del lavavajillas.
3. Utilizando los tornillos provistos, asegure el lavavajillas a la encimera a través de los orificios del soporte.

! NOTA

Les supports d'installation et les vis peuvent se trouver dans le panier à couverts.

FIG. 12

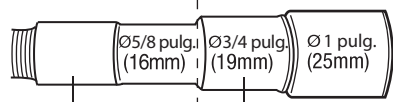


MÉTODO 2 (Fig. 12)

1. Inserte los soportes de instalación en la ranura.
2. Doble los soportes para asegurarlos al tambor del lavavajillas.
3. Corte los soportes por la línea punteada.

PASO 9: CONEXIÓN DE LA LÍNEA DE DESAGÜE

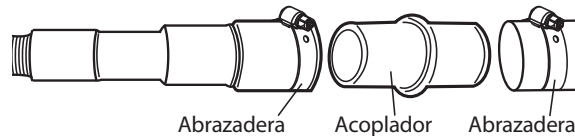
1. Si el extremo de la manguera de desagüe no entra en la línea de desagüe, utilice un adaptador resistente al calor y al detergente (no incluido). Puede obtener uno en su ferretería local.
2. Las dos conexiones típicas pueden verse en las Figs. 13 y 15. Para evitar el efecto sifón, debe utilizarse una de las siguientes conexiones.



Para conexiones al triturador o T de desecho
Para conectar el aireador, corte la manguera de desagüe en la línea punteada

REQUISITOS DE DESAGÜE

- Cumplir con los códigos y ordenanzas locales.
- No superar una distancia de 12 pies (3.65 m) hasta el drenaje.
- No conectar líneas de desagüe desde otros dispositivos a la manguera de desagüe del lavavajillas.
- Si se requiere de una prolongación de la manguera de desagüe, utilice una manguera de un largo de 2 pies con un diámetro interno de 5/8 pulg. o 7/8 pulg. y un acoplador para conectar los dos extremos de las mangueras.



* Para la instalación del conducto de desagüe, se recomienda utilizar la abrazadera de tornillo incluida en la canastilla para cubertería del lavavajillas.

CONEXIÓN AL TRITURADOR O T DE DESECHO

FIG. 13

Al instalar la manguera de desagüe a un triturador, asegúrese de haber quitado el tapón del triturador. Si no se quita el tapón del triturador, el lavavajillas no podrá vaciarse correctamente.

NOTA
Siga todas las instrucciones del fabricante del triturador al quitar el tapón.

La manguera de desagüe debe hacer una curva de 20 pulg. (508 mm) para evitar que la unidad reciba refluo de agua del fregadero.

CONEXIÓN AL TRITURADOR O T DE DESECHO

FIG. 14

La altura del extremo de la manguera de desagüe debe estar a más de 10 pulg. del fondo para evitar que el agua sea absorbida desde del tambor.

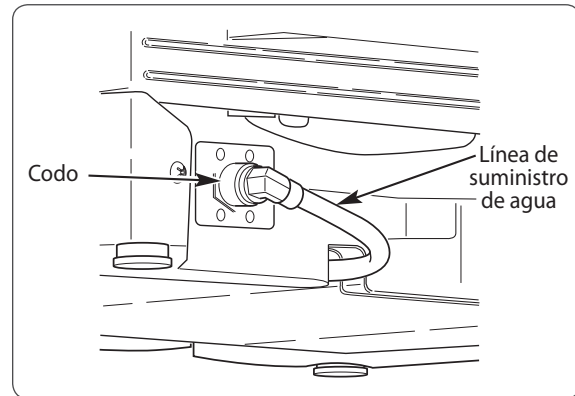
La manguera de desagüe debe hacer una curva de 20 pulg. (508mm) para evitar que la unidad reciba refluo de agua del fregadero.

PASO 10: CONEXIÓN DEL SUMINISTRO DE AGUA

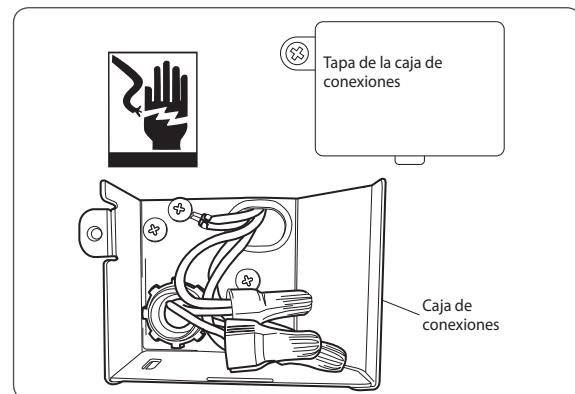
1. Antes de iniciar la conexión, cierre el suministro de agua.
2. Después de colocar el codo en la válvula de entrada, deslice la línea de agua flexible de acero inoxidable o tubería de cobre dentro del codo.
3. Ajuste la tuerca de compresión y verifique que la línea no esté torcida o sufra pellizcos.

! NOTA

Al probar el lavavajillas después de finalizar la instalación, puede aparecer el código IE en la pantalla. Puede deberse a que existe una línea que está torcida o a que se abrió el suministro de agua del lavavajillas. Verifíquelo antes de llamar al servicio técnico.

FIG. 15**PASO 11: CONEXIÓN DE ENERGÍA ELÉCTRICA**

1. Antes de comenzar, desconecte la energía eléctrica hacia la unidad desde el interruptor de circuitos.
2. Quite la tapa de la caja de conexiones y luego instale el aliviador de tensión.
3. Ajuste bien los conectores de cables a los cables; luego cubra cada conexión con cinta aislante.
4. Verifique de nuevo y asegúrese de que todos los cables estén bien conectados: Negro con negro, blanco con blanco, cable a tierra verde con cable a tierra verde.
5. Vuelva a colocar la tapa de la caja de conexiones.

FIG. 16**! PRECAUCIÓN**

Verifique que el cable negro sea el de fase (120V) Si no es así, o si no está seguro del suministro de energía, haga que un electricista autorizado lo revise.

PASO 12: REVISIÓN FINAL

1. Encienda la energía eléctrica.
2. Abra el suministro de agua de la vivienda.
3. Haga funcionar el lavavajillas en un ciclo normal para verificar el funcionamiento correcto y para controlar la presencia de pérdidas.
4. Vuelva a colocar la placa de protección.

! NOTA

Si durante la revisión final del lavavajillas aparece un código de error, use el siguiente cuadro como referencia antes de llamar al servicio técnico.

Códigos: "OE"

- #5 Puede deberse a una manguera de desagüe torcida o pellizcada. Para evitar esto, asegúrese de jalar la manguera de desagüe a medida que desliza el lavavajillas a su lugar, procurando que quede tensa detrás del lavavajillas.
- #6 La manguera de desagüe del lavavajillas estaba conectada al triturador. Verifique que se haya retirado el tapón del triturador.

Códigos: "IE"

- #7 Asegúrese de haber abierto la línea de suministro de agua al lavavajillas.
- #8 Asegúrese de que la línea de suministro de agua no esté torcida debajo del lavavajillas.

TABLE DES MATIÈRES

27 CONSIGNES DE SÉCURITÉ IMPORTANTES

- 27 Consignes relatives à la mise à la terre

28 INSTRUCTIONS D'INSTALLATION

- 28 Pièces fournies
- 28 Matériel dont vous aurez peut-être besoin
- 28 Outils nécessaires
- 29 Spécifications du lave-vaisselle
- 30 Étape 1 : Préparer l'ouverture de l'armoire
 - 31 Étape 2 : Préparer les câbles électriques
- 32 Étape 3 : Préparer le branchement de l'alimentation d'eau
- 32 Étape 4 : Préparer le lave-vaisselle
- 33 Étape 5 : Retirer le panneau inférieur
- 33 Étape 6 : Glisser le lave-vaisselle dans l'armoire
- 34 Étape 7 : Mettre le lave-vaisselle à niveau
- 35 Étape 8 : Fixer le lave-vaisselle sur le plan de travail
- 36 Étape 9 : Branchement du tuyau de vidange
- 37 Étape 10 : Raccordement à l'alimentation d'eau
- 37 Étape 11 : Connexion au réseau électrique
- 37 Étape 12 : Contrôle final

Veillez lire ce guide attentivement avant de procéder à l'installation.

CONSIGNES DE SÉCURITÉ IMPORTANTES

⚠ AVERTISSEMENT

Lors de l'installation et de l'utilisation de votre lave-vaisselle, veuillez respecter les mesures de sécurité de bas, dont les suivantes :

- Coupez le courant avant de commencer!
- Tous les branchements et toutes les mises à la terre doivent être conformes aux normes locales.
- Si l'alimentation électrique est endommagée, il convient de la faire remplacer par le fabricant ou l'agent de réparation du fabricant ou par toute personne qualifiée afin d'éviter tout risque.
- Ce lave-vaisselle doit être branché à une source d'alimentation en eau chaude d'une température de 120 °F (49 °C) à 149 °F (65 °C). Cette plage de température offre les meilleurs résultats en termes de lavage et permet de réduire au maximum le temps de lavage. La température ne doit pas être supérieure à 149 °F (65 °C) afin d'éviter d'endommager la vaisselle.
- Cet appareil doit être placé à proximité d'une source électrique.
- Cet appareil doit être branché à une source d'alimentation en eau à l'aide de tuyaux neufs. Les tuyaux usagés ne doivent pas être utilisés.
- Vérifiez si l'appareil présente des dommages avant d'essayer de l'installer. En cas de dommages, contactez immédiatement votre revendeur ou l'installateur.
- Pour minimiser les risques de choc électriques, d'incendie ou de blessures, l'installateur doit prendre soin de placer le lave-vaisselle dans un endroit totalement clos au moment de l'installation.

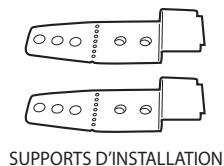
CONSIGNES RELATIVES À LA MISE À LA TERRE

Pour un lave-vaisselle branché en permanence :

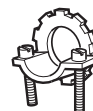
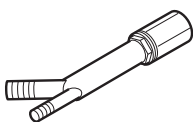
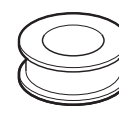
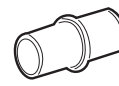
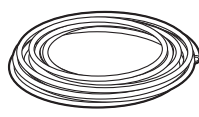
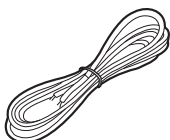
Cet appareil doit être branché à des câbles métalliques permanents mis à la terre, ou un conducteur de mise à la terre doit être placé avec les conducteurs du circuit et branché sur la borne ou le câble de mise à la terre de l'appareil.

※ LG Electronics n'est pas responsable pour les défauts ou pannes causés par une installation incorrecte.

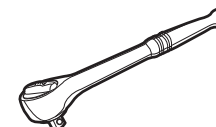
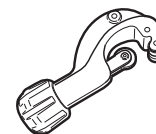
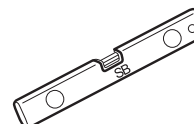
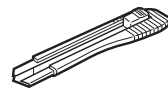
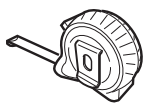
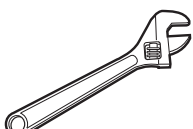
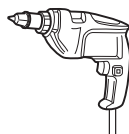
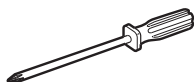
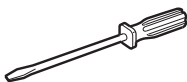
PIÈCES FOURNIES (voir la page 35 pour l'installation du support)



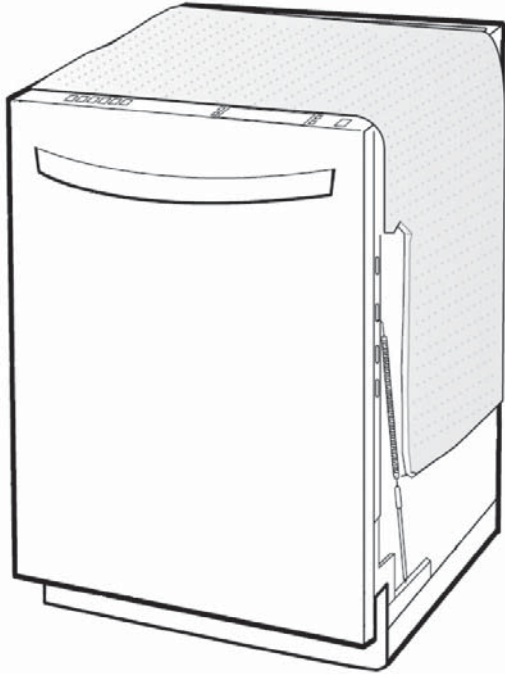
MATÉRIEL DONT VOUS AUREZ PEUT-ÊTRE BESOIN (non fourni)



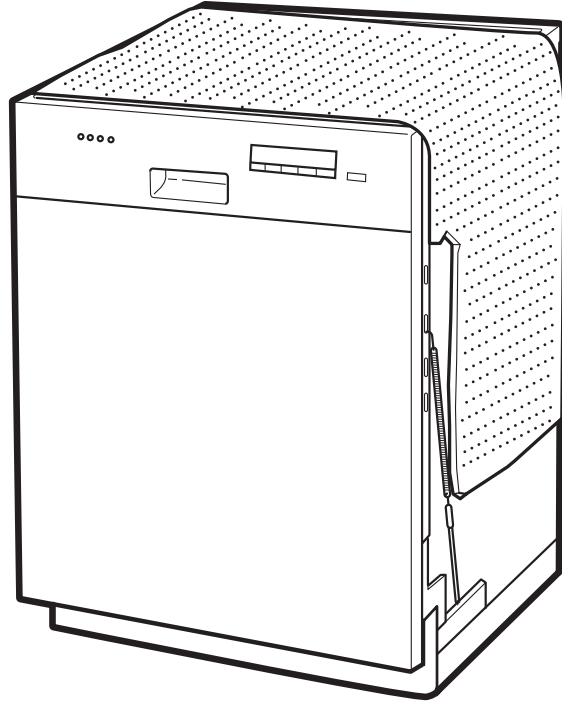
OUTILS NÉCESSAIRES



SPÉCIFICATIONS DU LAVE-VAISSELLE



TOTALEMENT INTÉGRÉ



SEMI-INTÉGRÉ

FRANÇAIS

SPÉCIFICATIONS

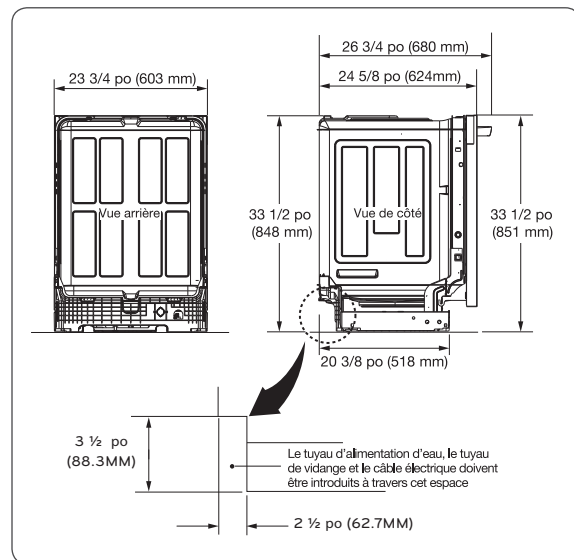
- Alimentation : 120 V, 60 Hz ca uniquement
- Pression de l'eau : 20-120 psi (140-830 kPa)
- Dimension du produit (LxPxH)
23 3/4 po x 24 5/8 po x 33 1/2 po
(603 mm x 625 mm x 851 mm)
- Température de l'eau d'arrivée : 120°F (49°C)

Les caractéristiques peuvent faire l'objet de modifications sans préavis.

! REMARQUE

Les spécifications de votre lave-vaisselle peuvent différer des illustrations ci-contre.

DIMENSIONS DU PRODUIT



Ces consignes d'installation sont destinées à être utilisées par des installateurs qualifiés.

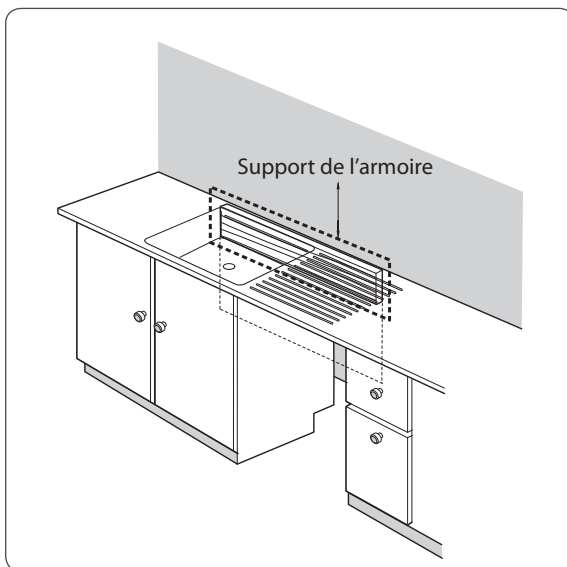
ÉTAPE 1 : PRÉPARER L'OUVERTURE DE L'ARMOIRE

1. Ce lave-vaisselle est conçu pour s'encaster dans une ouverture standard pour lave-vaisselle comme l'indique la fig. 1.
2. Sélectionnez un endroit qui soit le plus proche possible de l'évier afin de faciliter les branchements aux tuyaux de vidange et d'eau.
3. Pour une vidange adéquate, le lave-vaisselle ne doit pas être installé à plus de 3.65 m de distance de l'évier.
4. Si vous prévoyez de placer le lave-vaisselle dans un coin, veillez à laisser un espace d'au moins 50 mm entre le lave-vaisselle et le mur.
5. Pour tenir compte du dégagement approprié de la tuyauterie et de l'alimentation électrique, utilisez le gabarit inclus avec la documentation pour déterminer le dégagement du côté de la carrosserie qui fait face au mur arrière. En utilisant une scie-cloche de 2 ½ pouces de diamètre, percez un trou dans la zone cible comme indiqué sur le gabarit. **N'UTILISEZ PAS UN TROU EXISTANT À MOINS QU'IL SOIT DANS LA ZONE CIBLE.**

REMARQUE

Si vous commettez une erreur de positionnement du trou pour les canalisations d'eau et de vidange, cela pourrait empêcher l'installation du lave-vaisselle d'être en parfait alignement avec l'armoire et avoir comme conséquence le coinçage des tuyauteries. Les dommages dus à l'installation ne sont pas couverts par la garantie, et les fuites provoquées par une installation inexacte peuvent avoir comme conséquence d'endommager le matériel.

FIG. 2



UNIQUEMENT dans le cas où le lave-vaisselle entre parfaitement sous le comptoir, vous pouvez retirer le support de l'armoire à l'intérieur de celle-ci.

FIG. 1

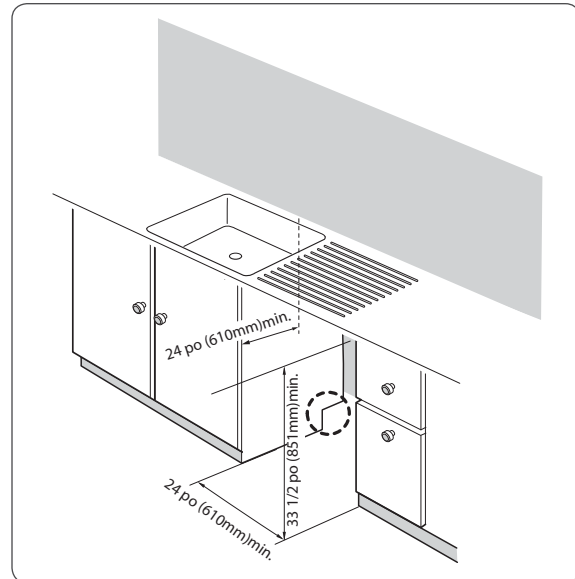


FIG. 3



Une ouverture peut être nécessaire sur les deux côtés pour faire passer la tuyauterie et les raccords électriques.

Ces consignes d'installation sont destinées à des installateurs qualifiés.

⚠ AVERTISSEMENT

Pour votre sécurité, retirez le fusible ou ouvrez le disjoncteur avant l'installation.

N'utilisez pas de cordon de rallonge ou d'adaptateur de prise avec ce lave-vaisselle. Les mises à la terre et les raccordements électriques doivent être conformes aux codes de l'électricité national, provincial et municipal et/ou aux normes locales.

ÉTAPE 2 : PRÉPARER LES CÂBLES ÉLECTRIQUES

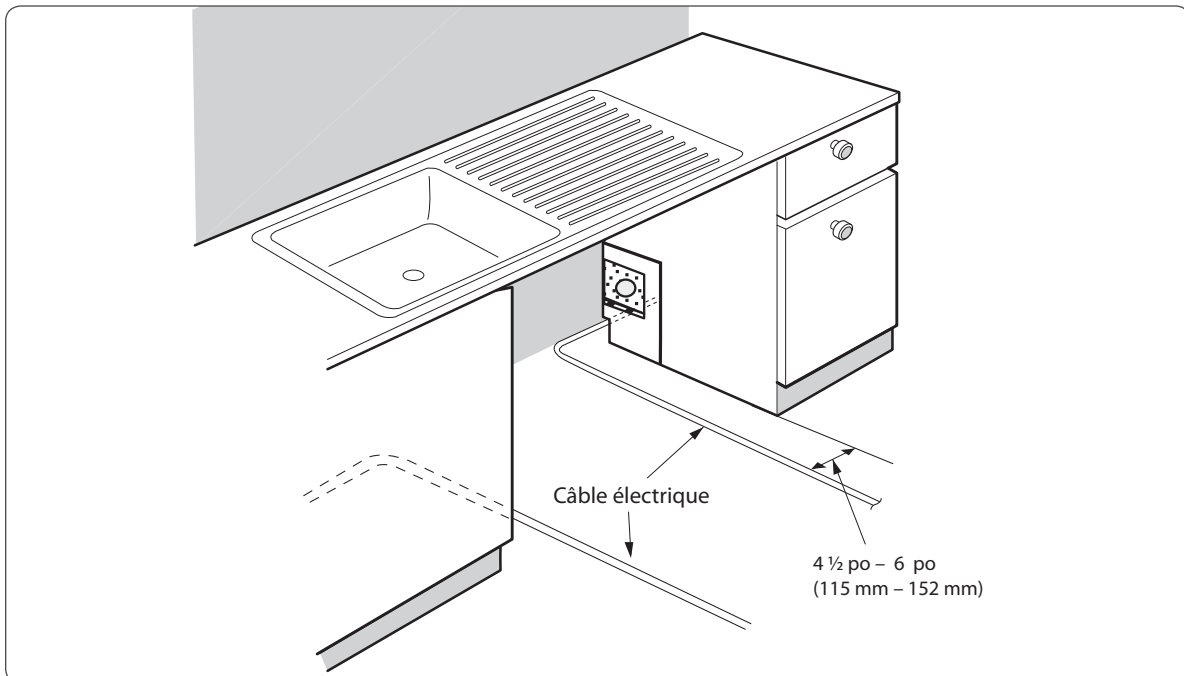
1. Cet appareil doit fonctionner avec une tension adéquate comme indiqué dans le manuel et sur la plaque signalétique, et être branché à un circuit correctement mis à la terre, dédié et protégé par un fusible temporisé. Le câblage se compose de 3 câbles, masse comprise.
2. Si une prise et un cordon d'alimentation à trois broches sont utilisés, ils doivent se situer dans un endroit accessible à côté du lave-vaisselle, et non derrière celui-ci, et à moins de 4 pi (1,2 m) du côté du lave-vaisselle.
3. Le câblage ou le cordon doit être correctement mis à la terre. Dans le doute, faites-le vérifier par un électricien qualifié. NE branchez AUCUN autre appareil à la même prise.
4. Le câblage ou le cordon doit être acheminé conformément à la fig. 4 ci-dessous.
5. Veillez à ce que le câble électrique soit orienté dans les passages inférieurs. Comme indiqué dans la figure ci-dessous.

! REMARQUE

Si vous constatez que le lave-vaisselle est endommagé, contactez immédiatement votre revendeur ou l'installateur.
Le connecteur de fils de 16AWG doit être utilisé

FRANÇAIS

FIG. 4



Ces consignes d'installation sont destinées à être utilisées par des installateurs qualifiés.

ÉTAPE 3 : PRÉPARER LE BRANCHEMENT DE L'ALIMENTATION D'EAU

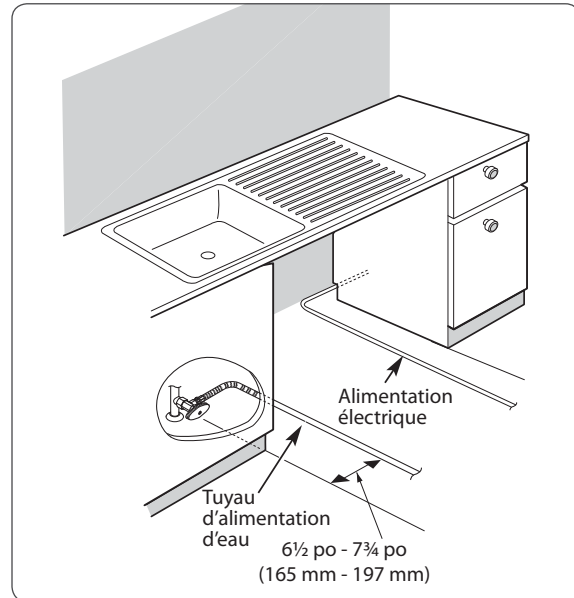
Veillez à ce que l'alimentation en eau de la maison soit fermée avant de brancher le lave-vaisselle aux tuyaux d'alimentation d'eau.

1. Ce lave-vaisselle doit être branché à un tuyau d'alimentation d'eau chaude d'une température de 120 °F (49 °C) à 149 °F (65 °C). Cette plage de température offre les meilleurs résultats en termes de lavage et permet de réduire au maximum le temps de lavage. La température ne doit pas être supérieure à 149 °F (65 °C) afin d'éviter d'endommager la vaisselle.
2. Pour brancher le tuyau d'eau du lave-vaisselle, appliquez du ruban ou un composé sur les filetages du tuyau afin de prévenir les fuites. Veuillez ne pas utiliser du ruban ou un composé sur les raccords de compression.
3. Le tuyau d'alimentation d'eau doit être situé dans le passage gauche comme l'indique la figure.

! REMARQUE

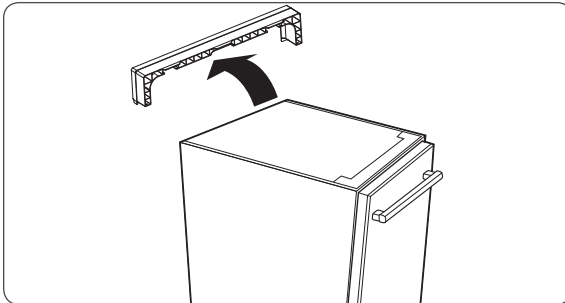
Dans les instructions accompagnant tous les appareils branchés à la canalisation d'alimentation en eau à l'aide de tuyaux amovibles, il est souligné d'utiliser les tuyaux neufs fournis avec l'appareil et de ne pas réutiliser les anciens tuyaux.

FIG. 5



ÉTAPE 4 : PRÉPARER LE LAVE-VAISSELLE

FIG. 6

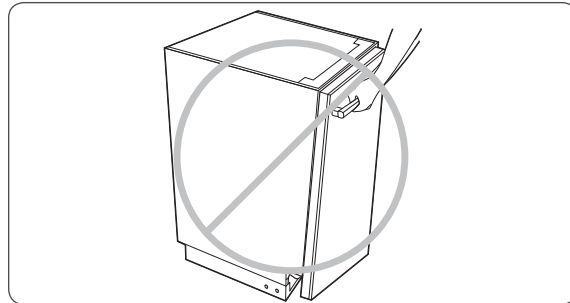


Retirez le support d'expédition en plastique arrière pour le dégagement et faciliter l'installation.

⚠ AVERTISSEMENT

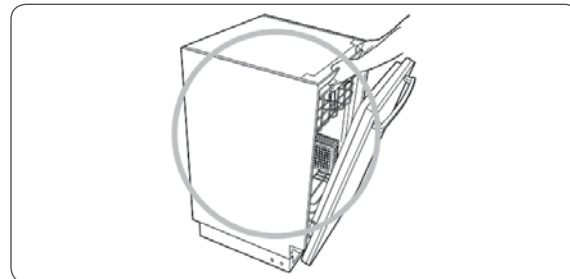
Ne soulevez ou ne tirez pas la poignée; vous risqueriez d'endommager les charnières et la porte. Ouvrez la porte et saisissez l'armature de la carrosserie et l'ouverture supérieure avant de la cuve.

FIG. 7



Ne déplacez jamais le lave-vaisselle en le tenant par la poignée. Ceci peut endommager le lave-vaisselle.

FIG. 8



Déplacez toujours le lave-vaisselle en saisissant l'armature supérieure ou la poignée à l'avant de la base.

Ces consignes d'installation sont destinées à être utilisées par des installateurs qualifiés.

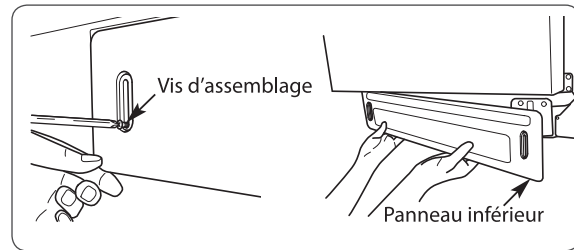
! REMARQUE

Si pour une raison ou une autre le lave-vaisselle doit reposer sur sa partie arrière, prenez soin de ne pas endommager le tuyau d'évacuation.

ÉTAPE 5 : RETIRER LE PANNEAU INFÉRIEUR

- Retirez les deux vis qui soutiennent le couvercle inférieur.
- Retirez le couvercle inférieur de la base.
- Retirez le tampon d'isolation de l'arrière du panneau d'accès.

FIG. 9



FRANÇAIS

ÉTAPE 6 : GLISSER LE LAVE-VAISSELLE DANS L'ARMOIRE

- Avant de glisser le lave-vaisselle en place dans l'armoire, vous devez fixer les supports d'installation. Voir page 11 pour lire les instructions à cet égard.
- Ensuite, soulevez le lave-vaisselle afin de régler les pieds avant et arrière de manière à ce que le dessus du lave-vaisselle s'adapte à la hauteur approximative de l'ouverture de l'armoire. Bien que vous deviez parfaire le réglage des pieds une fois le lave-vaisselle mis définitivement en place, cette méthode permettra de minimiser les réajustements.
- Glissez le lave-vaisselle avec précaution dans l'ouverture de l'armoire.
- Veillez à ce que le tuyau de vidange situé dans l'armoire ne soit pas coincé ou tordu.
- Veillez à ce que le tuyau d'alimentation d'eau et l'alimentation électrique soient acheminés dans les passages sous le lave-vaisselle comme l'indique la fig. 10.
- Pour éviter de tordre ou de coincer le tuyau de vidange, assurez-vous de tirer sur le tuyau de vidange pendant que vous glissez le lave-vaisselle en place. Veillez à ne pas permettre un relâchement derrière le lave-vaisselle.
- Conecte la línea de suministro de agua a una válvula de tipo L. Fig. 10-1
- Après avoir mis le lave-vaisselle de niveau, ne laissez pas le tuyau d'alimentation en eau ou le câble électrique sous le siphon. Il s'agit d'une cause potentielle de fuite d'eau. Veuillez placer le tuyau d'alimentation en eau et le câble électrique à côté du siphon. Fig. 10-2

FIG. 10

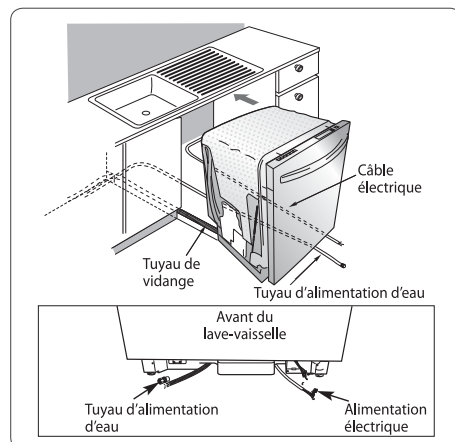


FIG. 10-1

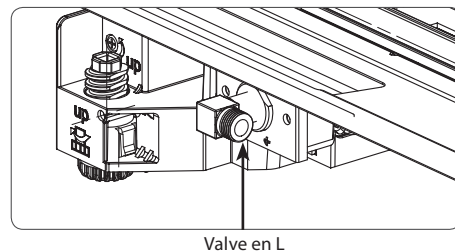
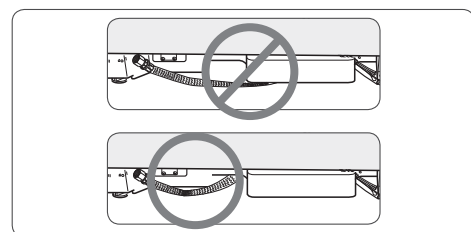
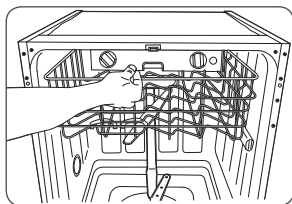


FIG. 10-2

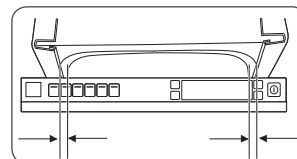


ÉTAPE 7 : METTRE LE LAVE-VAISSELLE AU NIVEAU

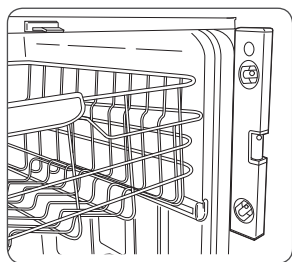
1. Veillez à ce que le lave-vaisselle soit bien à niveau. Placez le niveau sur le haut de l'ouverture avant de la cuve des deux côtés.



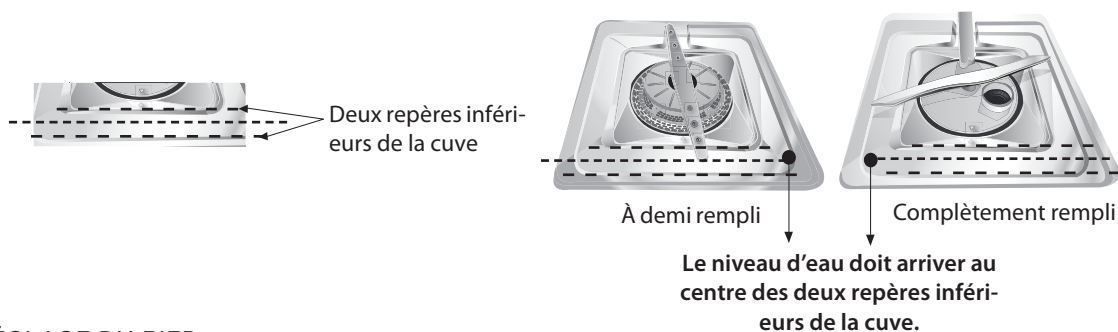
2. Veillez à ce que l'espace séparant la porte et la cuve soit le même des deux côtés.



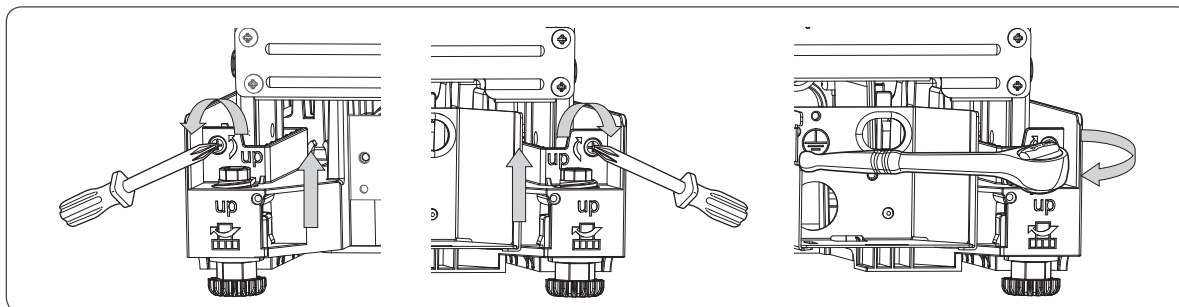
3. Veillez à ce que le lave-vaisselle ne ballote pas. Placez le niveau sur le côté avant de l'armoire.



4. Vérifiez le niveau d'eau après le remplissage initial dans le cycle Normal. Si le niveau d'eau ne se situe pas au centre des deux repères inférieurs de la cuve (voir les photos), il est possible que le lave-vaisselle ne soit pas correctement de niveau.



RÉGLAGE DU PIED



- Pour régler les pieds arrière du lave-vaisselle, utilisez un tournevis cruciforme n° 2.
- Pour les plans de travail en granit, marbre ou tout autre matériau ou qui risquent d'être endommagés par la perceuse, optez pour la méthode 2.

! REMARQUE

Les réglages des pieds arrière de gauche et de droit se font dans le sens opposé l'un de l'autre.

- Pour le réglage des pieds avant, vous pouvez utiliser une clé à rochet de ¼ po sans la douille. La clé à rochet peut être directement appliquée sur le pied avant et être tournée vers la droite pour soulever l'avant du lave-vaisselle. Tournez la clé à rochet vers la gauche pour abaisser l'avant du lave-vaisselle. Les réglages des pieds avant de gauche et de droit se font de la même façon.

ÉTAPE 8 : FIXER LE LAVE-VAISSELLE SUR LE PLAN DE TRAVAIL

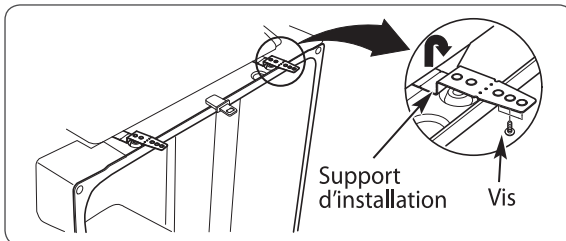
Pour les plans de travail en bois ou qui ne risquent pas d'être endommagés par la perceuse, optez pour la méthode 1.

Pour les plans de travail en granit, marbre ou tout autre matériau ou qui risquent d'être endommagés par la perceuse, optez pour la méthode 2.

ASTUCES

- Recouvrez le trou du filtre avec des serviettes pour éviter que les vis ne tombent dans la pompe.
- Nous vous recommandons d'utiliser un tournevis aimanté.

FIG. 11



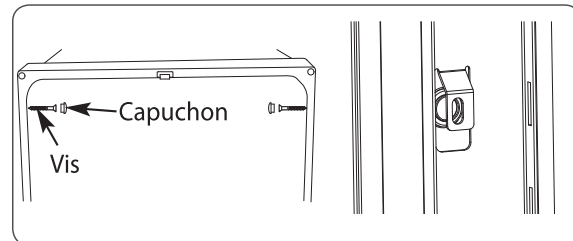
MÉTHODE 1 (Fig. 11)

1. Insérez les supports d'installation dans la rainure.
2. Pliez les supports pour les fixer à la cuve du lave-vaisselle.
3. À l'aide des vis fournies, fixez le lave-vaisselle au plan de travail au moyen des trous du support.

! REMARQUE

Les supports d'installation et les vis se trouvent dans le panier à couverts.

FIG. 12

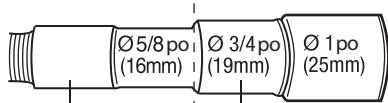


MÉTHODE 2 (Fig. 12)

1. Insérez les supports d'installation dans la rainure.
2. Pliez les supports pour les fixer à la cuve du lave-vaisselle.
3. Coupez les supports en suivant la ligne en pointillés.

ÉTAPE 9 : BRANCHEMENT DU TUYAU DE VIDANGE

1. Si l'extrémité du tuyau de vidange ne se raccorde pas au conduit de vidange, utilisez un adaptateur résistant à la chaleur et au détergent (non fourni). Vous pouvez vous le procurer dans un magasin de plomberie.
2. Les 2 connexions types sont indiquées dans les figures 14 et 15. Afin d'éviter tout siphonnage, utilisez l'une des connexions suivantes.

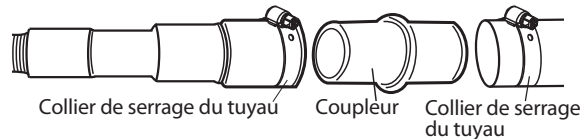


Pour les tés de vidange

Pour les raccords de brise-siphon (anti-retour), coupez le tuyau de vidange sur la ligne en pointillé.

EXIGENCES RELATIVES À LA VIDANGE

- Respectez les normes et les réglementations locales.
- Ne dépassez pas les 3.65 m de distance par rapport à la vidange.
- Ne raccordez pas les conduits de vidange d'autres appareils au tuyau de vidange du lave-vaisselle.
- Si vous avez besoin d'un tuyau de vidange de rallonge, utilisez un tuyau d'une longueur de 2 pi ou 3 pi avec diamètre intérieur de 5/8 po ou 7/8 po et un coupleur afin de connecter les deux extrémités des tuyaux.



* Pour l'installation du tuyau de vidange, il est recommandé d'utiliser le dispositif de serrage à vis fourni avec ce lave-vaisselle dans le panier à couverts.

RACCORDEMENT AU TÉ DE VIDANGE

FIG. 13

En installant le tuyau de vidange à un broyeur, vérifiez que le bouchon du broyeur a été enlevé. Si le bouchon du broyeur n'a pas été enlevé, le lave-vaisselle ne se vidangera pas adéquatement.

REMARQUE

Faites bien attention de suivre les instructions du fabricant en ce qui concerne le broyeur au moment d'enlever le bouchon.

RACCORDEMENT À LA COUPURE ANTI-RETOUR

FIG. 14

Cette courbe du tuyau de vidange doit être d'une longueur minimale de 20 po (508 mm) afin de protéger l'appareil de tout reflux d'eau dans l'évier.

Cette courbe du tuyau de vidange doit être d'une longueur minimale de 20 po (508 mm) afin de protéger l'appareil de tout reflux d'eau dans l'évier.

La hauteur de l'extrémité du tuyau de vidange doit être à plus de 10 po du fond afin d'éviter que l'eau se siphonne dans la cuve.

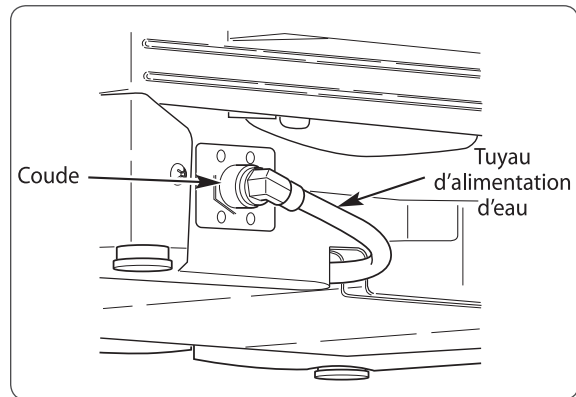
ÉTAPE 10 : RACCORDEMENT À L'ALIMENTATION D'EAU

1. Avant d'effectuer le branchement à l'alimentation d'eau, coupez l'eau.
2. Après avoir installé le coude dans la soupape d'entrée, faites coulisser le tuyau d'eau en acier inoxydable flexible ou le tuyau en cuivre dans le coude.
3. Serrez l'écrou de compression et veillez à ce que le conduit ne soit pas coincé ou tordu.

! REMARQUE

Pendant que vous testez le lave-vaisselle, une fois l'installation terminée, un code « IE » apparaît à l'écran. Ce code peut signaler qu'un tuyau d'alimentation d'eau est tordu ou que l'alimentation d'eau vers le lave-vaisselle a été coupée. Vérifiez s'il s'agit de l'un ou de l'autre de ces problèmes avant d'appeler le service de réparation.

FIG. 15

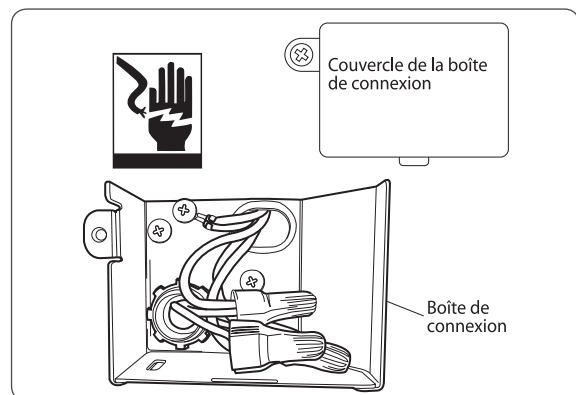


FRANÇAIS

ÉTAPE 11 : CONNEXION AU RÉSEAU ÉLECTRIQUE

1. Avant de commencer, coupez le courant de l'appareil à l'aide du disjoncteur.
2. Retirez le couvercle de la boîte de connexion, puis installez le réducteur de tension.
3. Tordez les connecteurs sur les fils; puis entourez chaque connexion de ruban isolant.
4. Vérifiez à nouveau et assurez-vous que tous les fils sont correctement branchés : noir au noir, blanc au blanc, fil de terre vert au fil de terre vert.
5. Réinstallez le couvercle de la boîte de connexion.

FIG. 16



! MISE EN GARDE

Vérifiez si le fil noir est chaud (120 V). Si ce n'est pas le cas, ou si vous avez des doutes concernant le courant, faites-le vérifier par un électricien agréé.

ÉTAPE 12 : CONTRÔLE FINAL

1. Mettez le lave-vaisselle sous tension.
2. Ouvrez l'alimentation en eau de la maison.
3. Lancez le lave-vaisselle dans un programme normal afin de vous assurer de l'absence de fuites et de son bon fonctionnement.
4. Réinstallez le panneau inférieur.

! REMARQUE

Si, durant le contrôle final du lave-vaisselle, un code d'erreur apparaît, consultez le tableau ci-dessous avant d'appeler le service de réparation.

Codes : « OE »

- #1 Il peut s'agir d'un tuyau de vidange tordu ou coincé. Pour éviter ce problème, assurez-vous de tirer sur le tuyau de vidange pendant que vous glissez le lave-vaisselle en place. Veillez à ne pas permettre un relâchement derrière le lave-vaisselle.
- #2 Le tuyau de vidange du lave-vaisselle a été branché sur un broyeur. Vérifiez que l'alvéole défonçable du broyeur ait été enlevé.

Codes : « IE »

- #1 Veillez à ce que le tuyau d'alimentation d'eau vers le lave-vaisselle a été ouvert.
- #2 Vérifiez que le tuyau d'alimentation d'eau n'est pas tordu sous le lave-vaisselle.



LG Customer Information Center

1-800-243-0000 USA

1-888-542-2623 CANADA

Register your product Online!

www.lg.com

Free Manuals Download Website

<http://myh66.com>

<http://usermanuals.us>

<http://www.somanuals.com>

<http://www.4manuals.cc>

<http://www.manual-lib.com>

<http://www.404manual.com>

<http://www.luxmanual.com>

<http://aubethermostatmanual.com>

Golf course search by state

<http://golfingnear.com>

Email search by domain

<http://emailbydomain.com>

Auto manuals search

<http://auto.somanuals.com>

TV manuals search

<http://tv.somanuals.com>