



# FRENCH DOOR REFRIGERATOR

## USER'S GUIDE & INSTALLATION INSTRUCTIONS

Please read this guide  
thoroughly before  
operating and keep it handy  
for reference at all times.

# RÉFRIGÉRATEUR À PORTES FRANÇAISES

## GUIDE D'UTILISATION ET INSTRUCTIONS D'INSTALLATION

Veuillez lire ce guide attentivement  
avant la mise en service de l'appareil  
et gardez-le à portée de main  
pour le consulter en cas de besoin.

# REFRIGERADOR DE PUERTA FRANCÉS

## GUÍA PARA EL USO E INSTRUCCIONES DE INSTALACIÓN

Lea detenidamente estas  
instrucciones antes utilizar  
el frigorífico y guárdelas como  
referencia para el futuro.

Models/Modelos/Modèles  
LFX25980\*\*, LFX21980\*\*

To contact LG Electronics, 24 hours a day,  
7 days a week:

**1-800-243-0000**

Or visit us on the Web at: [us.lge.com](http://us.lge.com)

Pour contacter LG Electronics, 24 heures par  
jour, 7 jours par semaine :

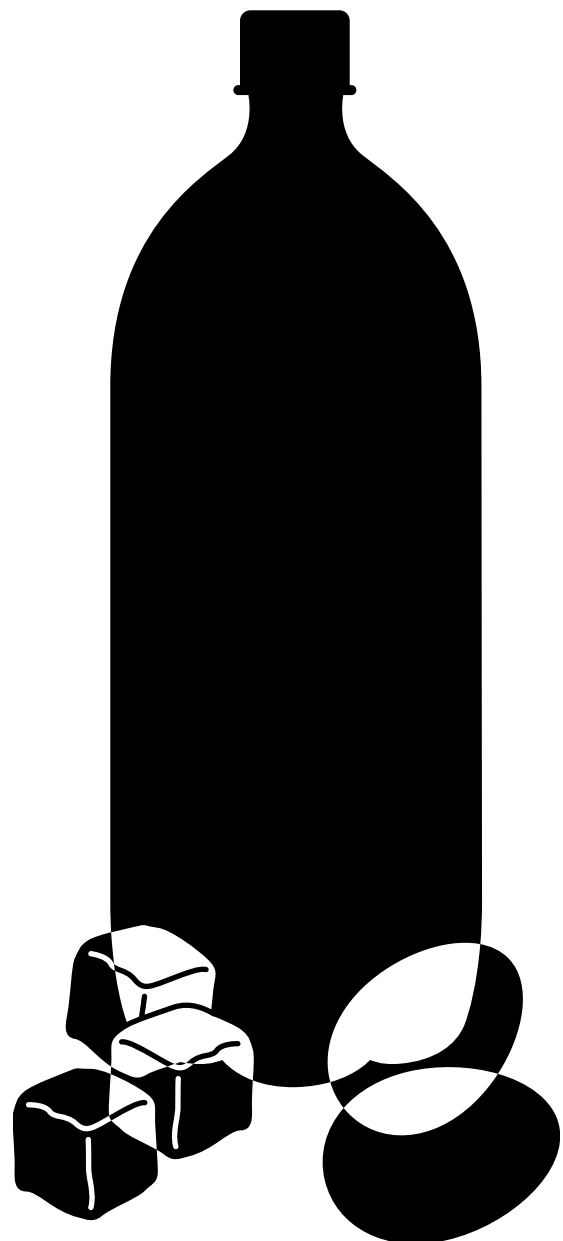
**1-800-243-0000**

Ou visitez notre site Web à l'adresse : [us.lge.com](http://us.lge.com)

Para comunicarse con LG Electronics,  
24 horas al día, 7 días a la semana:

**1-800-243-0000**

O visítenos en la Web en: [us.lge.com](http://us.lge.com)



# INTRODUCTION

## IMPORTANT SAFETY INFORMATION

Basic Safety Precautions .....	3
CFC Disposal .....	4
How to Connect Electricity .....	5

## PARTS AND FEATURES

Special Features .....	6
Key Parts and Components .....	7

## INSTALLATION

Choose the Proper Location .....	8
Clearances .....	8
Flooring .....	9
Handle Removal .....	9
Door and Drawer Removal .....	10
Connecting the Water Supply .....	16
Connecting the Water Lines .....	16
Leveling the Refrigerator Doors .....	18
Starting .....	19

## HOW TO USE

Control Panel Features .....	20
The LCD/LED Display .....	21
Adjusting the Temperatures and Display .....	22
Operating the Dispenser .....	23
Setting the Functions .....	24
In-Door Ice Bank .....	25
Automatic Ice maker .....	26
OptiBin™ Crisper Humidity Control .....	27
Storing Foods .....	27
Location of Foods .....	28
Shelf Height Adjustment .....	29

## CARE AND CLEANING

Removing and Replacing Components .....	30
Cleaning the Refrigerator .....	34
General Information .....	34
Replacing the Water Filter.....	35

## TROUBLESHOOTING

Before Calling for Service .....	36
----------------------------------	----

## SPECIFICATIONS

Key Dimensions and Specifications .....	40
---	----

## WARRANTY

Product Registration Information .....	41
--	----


## THANK YOU!


Congratulations on your purchase and welcome to the LG family. Your new LG Bottom-Freezer Refrigerator combines the most advanced cooling technology with simple operation and high efficiency. By following the operating and care instructions in this manual, your refrigerator will provide you with many years of reliable service.


# IMPORTANT SAFETY INFORMATION


## BASIC SAFETY PRECAUTIONS

**This guide contains many important safety messages. Always read and obey all safety messages.**

 This is the safety alert symbol. It alerts you to safety messages that inform you of hazards that can kill or hurt you or others or cause damage to the product. All safety messages will be preceded by the safety alert symbol and the hazard signal word DANGER, WARNING, or CAUTION. These words mean:

 **DANGER** You **will** be killed or seriously injured if you don't follow instructions.

 **WARNING** You **can** be killed or seriously injured if you don't follow instructions.

 **CAUTION** Indicates an imminently hazardous situation which, if not avoided, **may** result in minor or moderate injury, or product damage only.

All safety messages will identify the hazard, tell you how to reduce the chance of injury, and tell you what can happen if the instructions are not followed.

## **WARNING**

**To reduce the risk of fire, electric shock, or injury to persons when using your product, basic safety precautions should be followed, including the following.**

**Read all instructions before using this appliance.**

- NEVER unplug your refrigerator by pulling on the power cord. Always grip the plug firmly and pull it straight out from the outlet.
- Repair or replace immediately all electric service cords that have become frayed or otherwise damaged. Do not use a cord that shows cracks or abrasion damage along its length or at either the plug or connector end.
- When moving your refrigerator away from the wall, be careful not to roll over or damage the power cord.
- DO NOT store or use gasoline or other flammable vapors and liquids in the vicinity of this or any other appliance.
- DO NOT allow children to climb, stand, or hang on the refrigerator doors or shelves in the refrigerator. They could damage the refrigerator and seriously injure themselves.
- Keep fingers out of pinch point areas; clearances between the doors and cabinet are necessarily small. Be careful closing doors when children are in the area.
- Unplug your refrigerator before cleaning or making any repairs.  
**NOTE:** Service should be performed by a qualified technician.
- Before replacing a burned-out light bulb, unplug the refrigerator or turn off power at the circuit breaker or fuse box in order to avoid contact with a live wire filament. (A burned-out light bulb may break when being replaced.)  
**NOTE:** Setting either or both controls to the OFF position does not remove power to the light circuit.
- This refrigerator must be properly installed in accordance with the Attention Installer Instructions that were taped to the front of the refrigerator.
- After your refrigerator is in operation, do not touch the cold surfaces in the freezer compartment when hands are damp or wet. Skin may adhere to the extremely cold surfaces.
- In refrigerators with automatic icemakers, avoid contact with the moving parts of the ejector mechanism or with the heating element that releases the cubes. DO NOT place fingers or hands on the automatic icemaking mechanism while the refrigerator is plugged in.
- **Do not modify or extend the power cord length.** It will cause electric shock or fire.

# IMPORTANT SAFETY INFORMATION

## BASIC SAFETY PRECAUTIONS (CONT.)

- DO NOT refreeze frozen foods which have thawed completely. The United States Department of Agriculture in Home and Garden Bulletin No. 69 says:  
...You may safely refreeze frozen foods that have thawed if they still contain ice crystals or if they are still cold—below 40°F (4°C).  
...Thawed ground meats, poultry, or fish that have any off-odor or off-color should not be refrozen and should not be eaten. Thawed ice cream should be discarded. If the odor or color of any food is poor or questionable, dispose of it. The food may be dangerous to eat.

Even partial thawing and refreezing reduces the eating quality of foods, particularly fruits, vegetables, and prepared foods. The eating quality of red meats is affected less than that of many other foods. Use refrozen foods as soon as possible to save as much of their quality as you can.

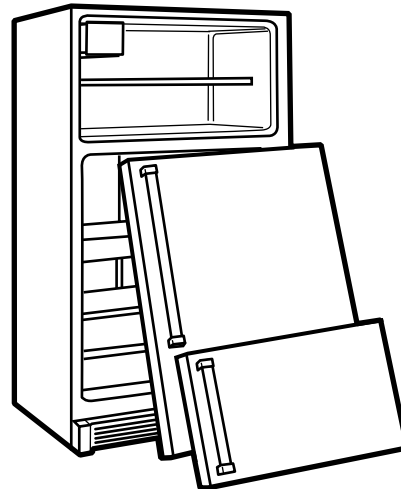
## **▲** DANGER

### Risk of Child Entrapment

Junked or abandoned refrigerators are dangerous, even if they will sit for just a few days. If you are disposing of your old refrigerator, please follow the instructions below to help prevent accidents.

Before you throw away your old refrigerator or freezer:

- Take off the doors.
- Leave the shelves in place so that children may not easily climb inside.



## CFC DISPOSAL

Your old refrigerator may have a cooling system that used CFCs (chlorofluorocarbons). CFCs are believed to harm stratospheric ozone.

If you are throwing away your old refrigerator, make sure the CFC refrigerant is removed for proper disposal by a qualified servicer. If you intentionally release this CFC refrigerant, you can be subject to fines and imprisonment under provisions of environmental legislation.

# IMPORTANT SAFETY INFORMATION

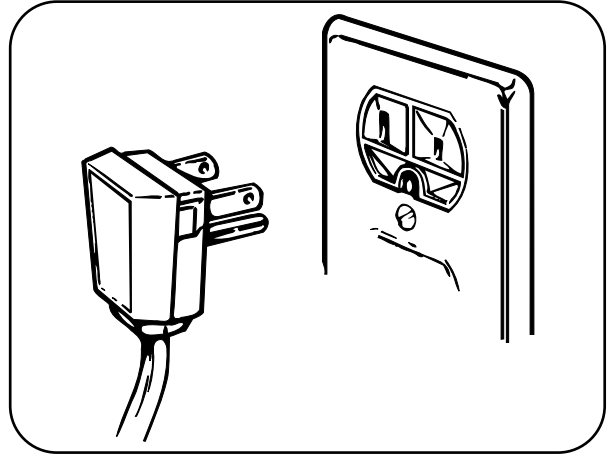
## HOW TO CONNECT ELECTRICITY

**IMPORTANT:** Please read carefully.

### **⚠️ WARNING**

#### **Electrical Shock Hazard**

For personal safety, this appliance must be properly grounded. Have the wall outlet and the circuit checked by a qualified electrician to make sure the outlet is properly grounded.



#### **RECOMMENDED GROUNDING METHOD**

The refrigerator should always be plugged into its own individual properly grounded electrical outlet rated for 115 volts, 60 Hz, AC only, and fused at 15 or 20 amperes. This provides the best performance and also prevents overloading house wiring circuits which could cause a fire hazard from overheated wires. It is recommended that a separate circuit serving only this appliance be provided.

Use a receptacle which cannot be turned off with a switch or pull chain. Do not use an extension cord. Where a standard two-prong wall outlet is encountered, it is your personal responsibility and obligation to have it replaced with a properly grounded three-prong wall outlet.

**Do not, under any circumstances, cut or remove the third (ground) prong from the power cord.**

**Do not use an adapter plug.**

**NOTE:** Before performing any type of installation, cleaning, or removing a light bulb, turn the control (Thermostat, Refrigerator Control, or Freezer Control, depending on the model) to OFF and then disconnect the refrigerator from the electrical source. When you are finished, reconnect the refrigerator to the electrical source and reset the control (Thermostat, Refrigerator Control, or Freezer Control, depending on the model) to the desired setting.

#### **USE OF EXTENSION CORDS**

**Because of potential safety hazards under certain conditions, we strongly recommend against the use of an extension cord.**

However, if you still elect to use an extension cord, it is absolutely necessary that it be a UL-listed (USA), 3-wire grounding-type appliance extension cord having a grounding-type plug and outlet and that the electrical rating of the cord be 15 amperes (minimum) and 120 volts.

Use of an extension cord will increase the clearance needed for the back of the refrigerator.

## SAVE THESE INSTRUCTIONS

# PARTS AND FEATURES

## SPECIAL FEATURES

### 1 CONTROL PANEL LCD DISPLAY SCREEN

Simple electronic controls are user-friendly. The LCD screen shows refrigerator and freezer temperatures, displays water filter status, dispenser information, and more.

### 2 ICE PLUS

When this feature is activated, the freezer section will run at the coldest temperature for a 24-hour period to increase ice production by about 20 percent.

### 3 FILTERED WATER AND ICE DISPENSER

The water dispenser offers fresh, chilled, filtered water through the door for quick refreshment. The ice dispenser offers cubed or crushed ice.

### 4 DOOR ALARM

A warning alarm sounds in 30-second intervals when the refrigerator or freezer door is left open for more than 60 seconds.

### 5 IN-DOOR ICE BANK

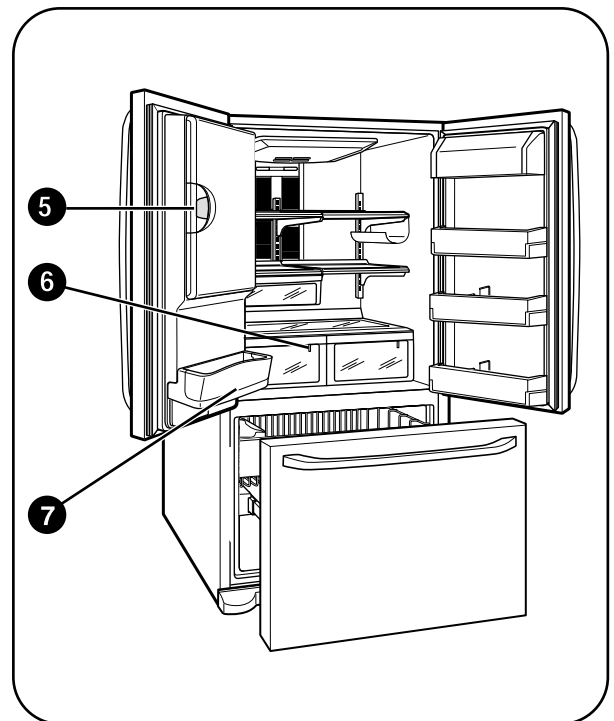
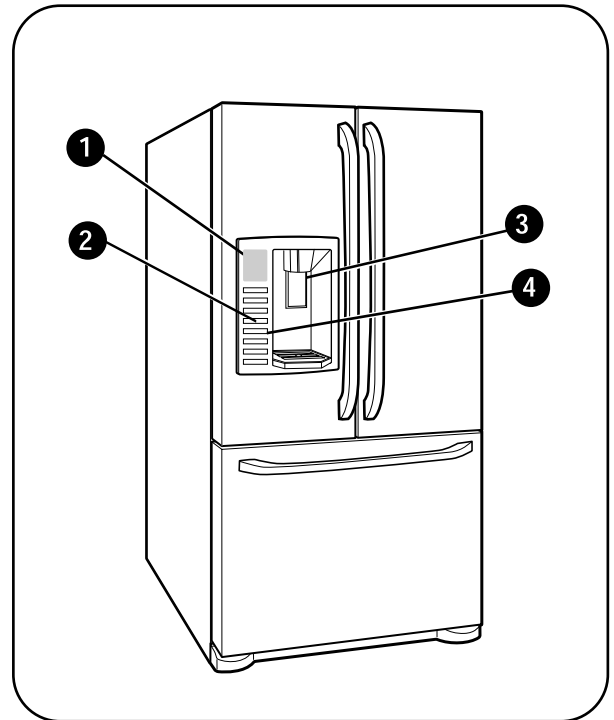
The icemaker automatically produces 100–130 ice cubes in a 24-hour period to keep the ice dispenser fully supplied. The in-door design creates more shelf space.

### 6 OPTIBIN™ CRISPERS

LG's OptiBin™ Crispers preserve humidity and help vegetables stay crisp.

### 7 AUTO CLOSING HINGE

When you slightly push the door of the cool chamber, it is automatically closed. (The door is automatically closed within 40° of the opening angle.)



# PARTS AND FEATURES

## KEY PARTS AND COMPONENTS

In addition to the special features and components outlined in the Special Features section, there are several other important components that are referenced in this manual.

### 1 ADJUSTABLE REFRIGERATOR SHELVING

The refrigerator compartment shelves are adjustable to allow flexibility for storage needs.

### 4 REMOVABLE ICE STORAGE BIN

The ice storage bin can be removed to fill ice buckets, coolers, or pitchers.

### 2 MODULAR DOOR BINS

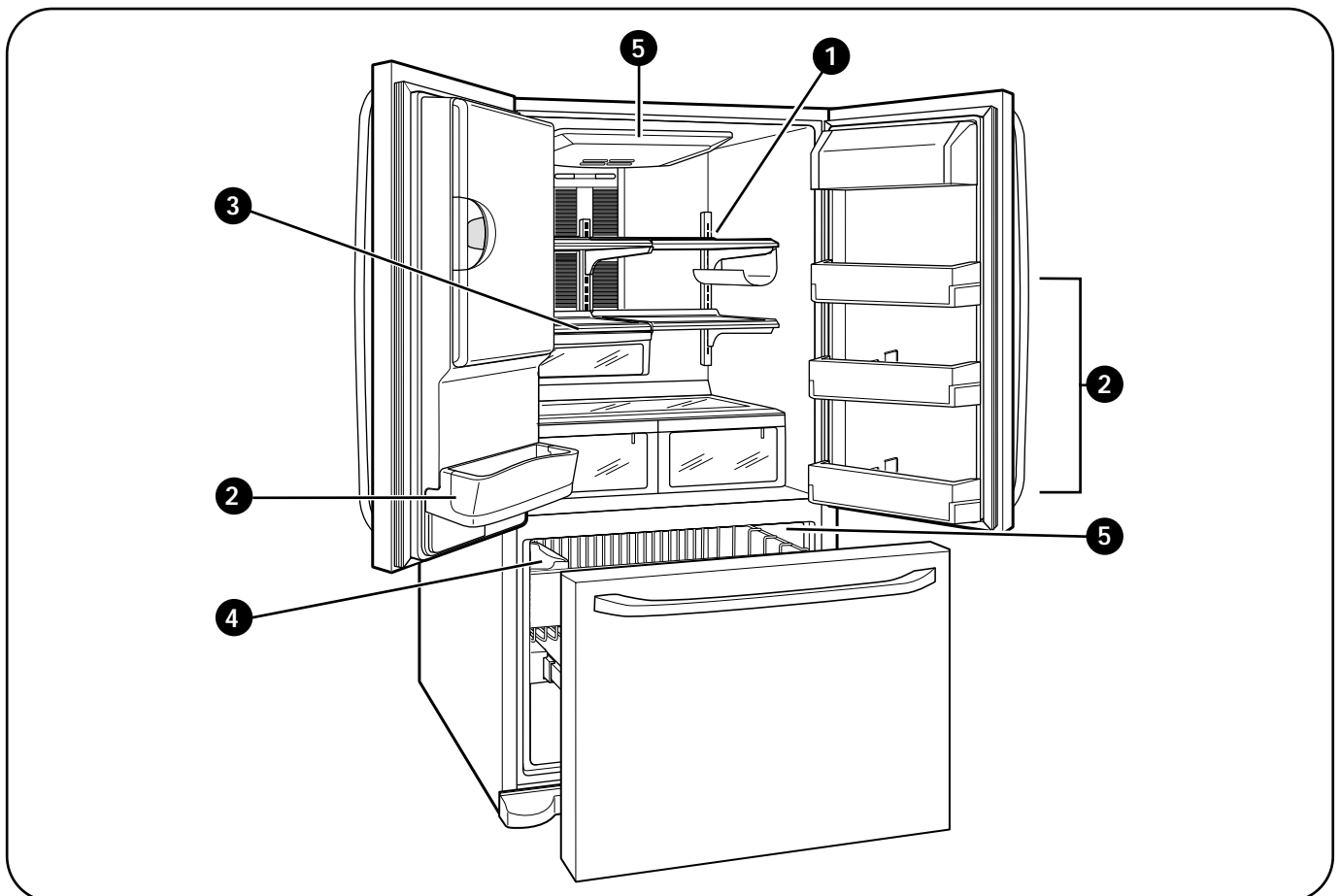
Three interchangeable bins can be arranged to suit your storage needs.

### 5 INTERIOR LAMPS

Two separate lamps light the freezer and refrigerator interiors.

### 3 SNACK PAN

The snack pan is ideal for storing breads, cold cuts, and snacks.



# INSTALLATION

## CHOOSE THE PROPER LOCATION

### **⚠️ WARNING**

#### **Excessive Weight Hazard**

**Two or more people are required when moving and unpacking the appliance.**

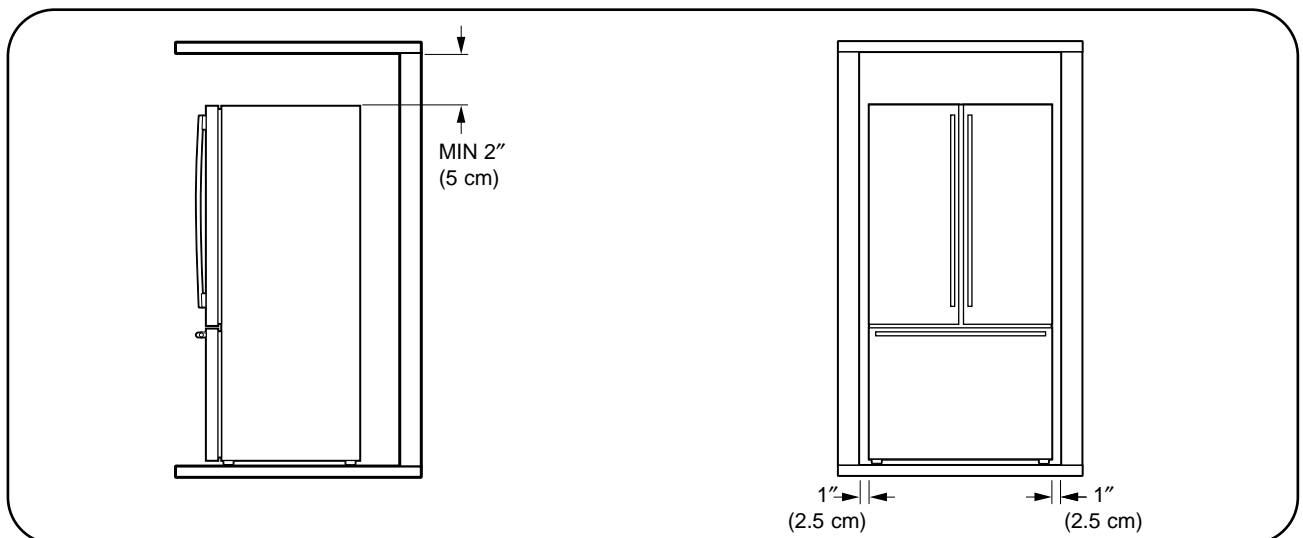
- Store and install the refrigerator where it will not be exposed to temperatures below freezing or exposed to outdoor weather conditions.
- Install this appliance in an area where the temperature is between 55°F (13°C) and 110°F (43°C). If the temperature around the appliance is too low or too high, cooling ability may be adversely affected.
- If this refrigerator is installed where the temperature is above 110°F (43°C), the freezing capacity is compromised and the cost of electricity used increases.

- To reduce the risk of electric shock, do not install the refrigerator in a wet or damp area.
- Select a place where a water supply can be easily connected between the automatic icemaker and dispenser.
- Unstable installation may cause vibration and noise. If the floor is not even, make the refrigerator level by rotating the height adjusting screws.
- Properly ground the refrigerator to conform with all governing codes and ordinances.

### **⚠️ CAUTION**

**Avoid placing the unit near heat sources, direct sunlight, or moisture.**

## CLEARANCES



Allow the clearance of at least 2 in. (5 cm) from the ceiling and 1 in. (2.5 cm) from the side walls for better cooling efficiency, ease of installation, proper air circulation, and electrical connections. Be sure to allow for wall, door, or floor moldings that may increase the required clearances.

- Too small a distance from adjacent items may result in lowered freezing capability and increased electricity consumption charges.

Allow at least 24 in. (61 cm) in front of the refrigerator to open the doors.



# INSTALLATION

## FLOORING

- To minimize noise and vibration, the refrigerator **MUST** be installed on a solidly constructed floor.
- To avoid vibration, the unit must be level. If required, adjust the leveling legs to compensate for unevenness of the floor. The front should be slightly higher than the rear to aid in door closing. The leveling legs can be turned easily by tipping the cabinet slightly. Turn the leveling legs clockwise to raise the unit or counterclockwise to lower it.
- Carpeting and soft tile surfaces are not recommended.

- Never install the refrigerator on a platform or weakly supported structure.

**NOTE:** When moving the refrigerator for cleaning or service, be sure to protect the floor. Always pull the refrigerator straight out when moving it. Do not wiggle or walk the refrigerator when trying to move it; floor damage could occur.

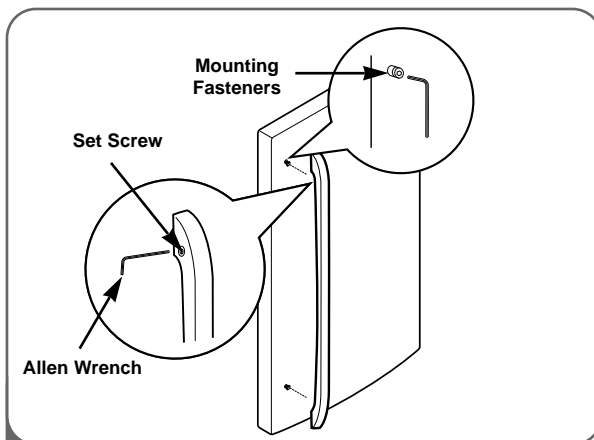
## HANDLE REMOVAL

To move the refrigerator through a house door, it may be necessary to remove the refrigerator door handles.

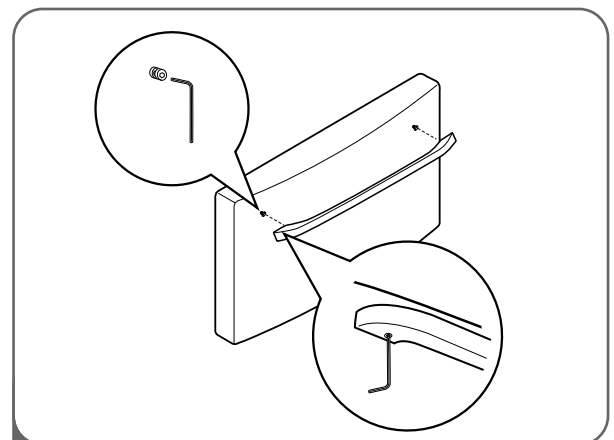
**NOTE:** Handle appearance may vary from illustrations on this page.

## ⚠ CAUTION

- Use special care when removing handles to prevent scratching the doors.
- The handle could be damaged if you hit it with a hammer while removing or attaching.
- When you assemble or disassemble a handle, you must push or pull with reasonable force.



- 1 Loosen the set screws with the 3/32" Allen wrench and remove the handle.  
**NOTE:** If the handle mounting fasteners need to be tightened or removed, use a 1/4" Allen wrench.

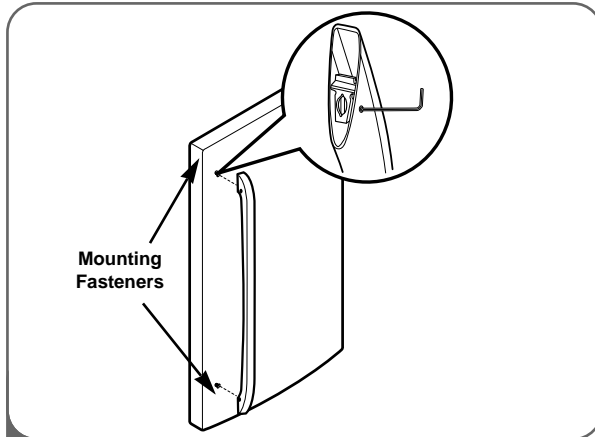


- 2 Loosen the set screws located on the lower side of the handle with the 3/32" Allen wrench and remove the handle.  
**NOTE:** If the handle mounting fasteners need to be tightened or removed, use a 1/4" Allen wrench.

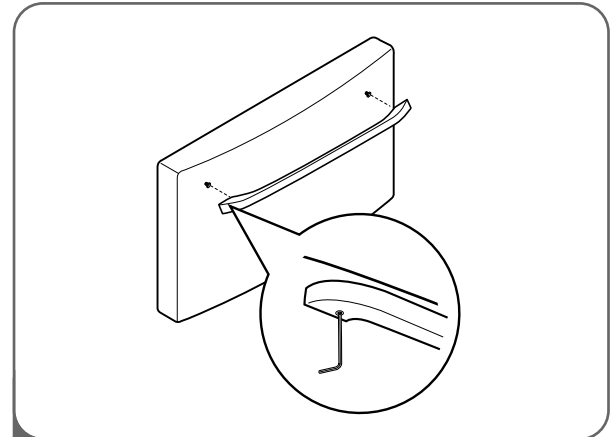
# INSTALLATION

## HANDLE REMOVAL (CONT.)

### HANDLE REINSTALLATION



- 1 Place the handle on the door by adjusting handle footprints to fit mounting fasteners and tighten the set screws with the 3/32" Allen wrench.  
**NOTE:** If the handle mounting fasteners need to be tightened or removed use a 1/4" Allen wrench



- 2 Place the handle on the door by adjusting handle footprints to fit mounting fasteners and tighten the set screws on the bottom of the handle with a 3/32" Allen wrench.  
**NOTE:** If the handle mounting fasteners need to be tightened or removed use a 1/4" Allen wrench.

## DOOR AND DRAWER REMOVAL

### DOOR REMOVAL

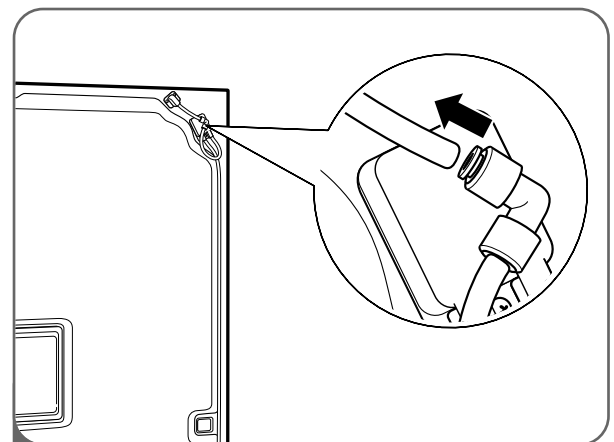
#### **⚠️ WARNING**

##### **Electric Shock Hazard**

- Disconnect electrical supply to refrigerator before installing. Failure to do so could result in death or serious injury.
- Do not put hands or foot or metal sticks into the air vents, base grille, or bottom of the refrigerator. You may be injured or receive an electrical shock.
- Be careful when you work with the hinge, base grille, and stopper. You may be injured.

If your entrance door is too narrow for the refrigerator to pass through, remove the refrigerator door and move the refrigerator sideways through the doorway.

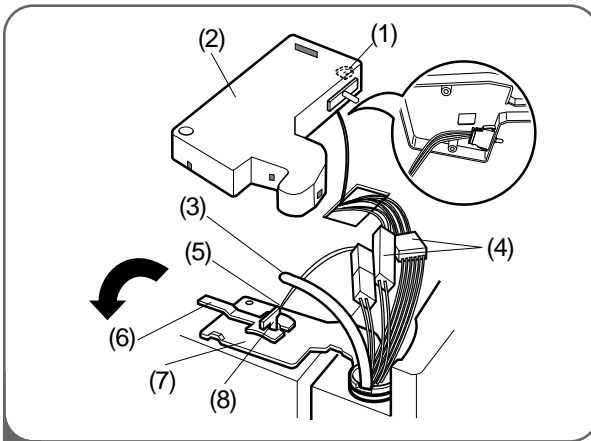
Before you begin, remove food and bins from the doors.



- 1 **To remove the left refrigerator door:**  
Pull the water tube out of the fitting while pressing the release ring on the fitting.

## DOOR AND DRAWER REMOVAL (CONT.)

### DOOR REMOVAL (CONT.)



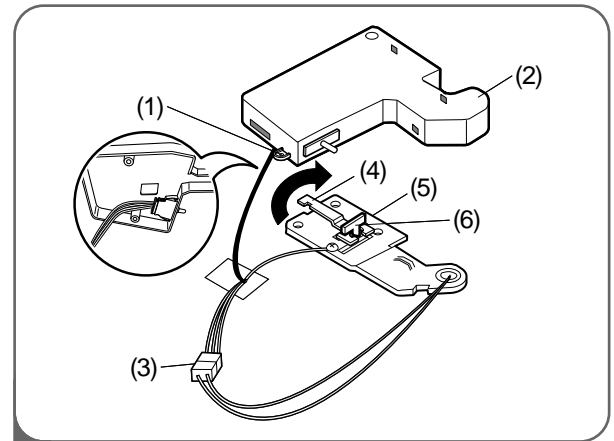
- 2
- Open the door. Remove the top hinge cover screw (1).
  - Use a flat-head screwdriver to pry back the hooks (not shown) on the front underside of the cover (2). Lift up the cover.
  - Disconnect remove the cover. Pull out the tube (3).
  - Disconnect all the wire harnesses (4).
  - Remove the grounding screw(5)
  - Rotate hinge lever (6) counterclockwise and remove. Lift the top hinge (7) free of the hinge lever latch (8).

**IMPORTANT:** When lifting the hinge free of the latch, be careful that the door does not fall forward.

- Lift the door from the middle hinge pin and remove the door.

**CAUTION :** Always attach/detach with the door open by 90° or more.

- Place the door, inside facing up, on a non-scratching surface.



- 3
- To remove the right refrigerator door:**
- Open the door. Remove the top hinge cover screw (1). Lift up the cover (2).
  - Disconnect remove the cover.
  - Disconnect the wire harness (3).
  - Rotate the hinge lever (4) clockwise and remove. Lift the top hinge (5) free of the hinge lever latch (6).

**IMPORTANT:** When lifting the hinge free of the latch, be careful that the door does not fall forward.

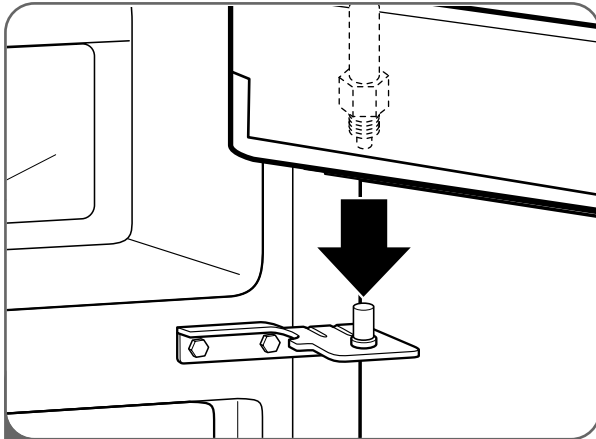
- Lift the door from the middle hinge pin and remove the door.

**CAUTION :** Always attach/detach with the door open by 90° or more.

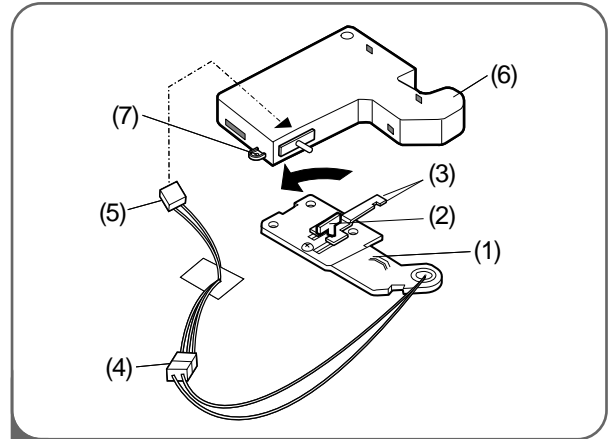
- Place the door, inside facing up, on a non-scratching surface.

# INSTALLATION

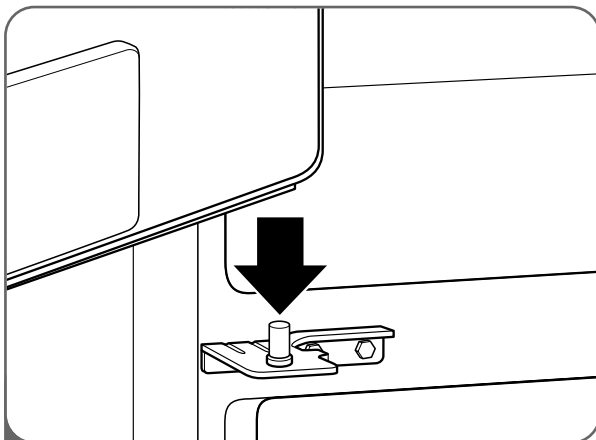
## DOOR REINSTALLATION



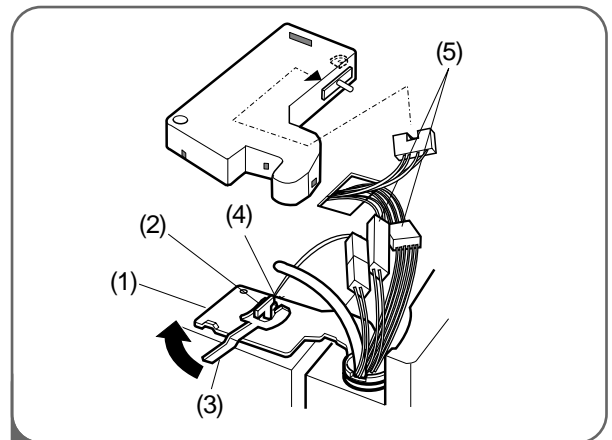
- 1** Install the right-side door first.
- Lower the door onto the middle hinge pin as shown.
  - Make sure the plastic sleeve is inserted in the bottom of the door.



- 2**
- Fit the top hinge (1) over the hinge lever latch (2) and into place. Insert the hinge lever (3) under the lever latch. Rotate the lever counterclockwise to secure the hinge.
  - Connect the wire harness (4).
  - Connect the door-switch wire harness (5).
  - Hook the tab on the door-switch side of the cover (6) under the edge of the wire opening in the cabinet top. Position the cover into place. Insert and tighten the cover screw (7).



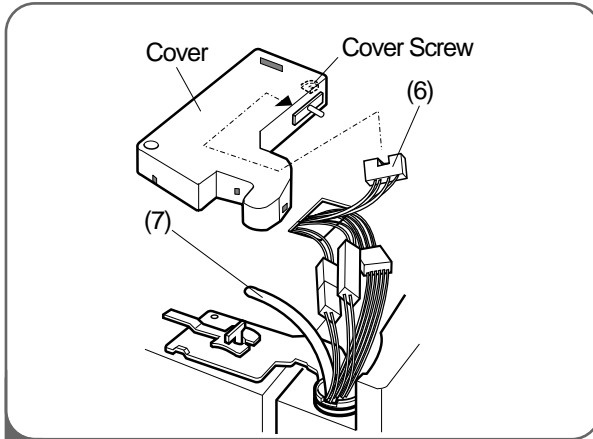
- 3** Install the left-side door.
- Lower the door onto middle hinge pin.



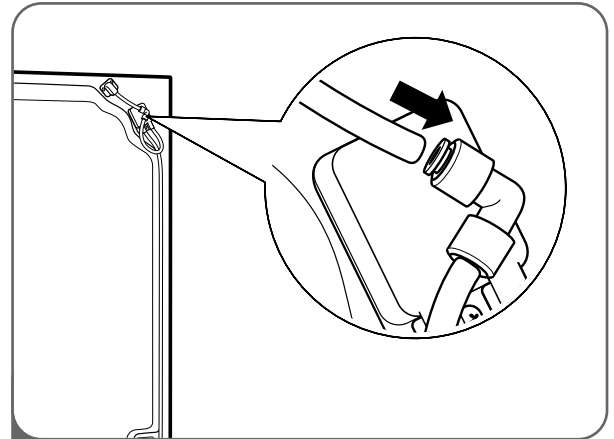
- 4**
- Fit the top hinge (1) over the hinge lever latch (2) and into place. Insert the hinge lever (3) under the lever latch. Rotate the lever clockwise to secure the hinge.
  - Install the grounding screw (4) and connect all the wire harnesses (5).

# INSTALLATION

## DOOR REINSTALLATION (CONT.)

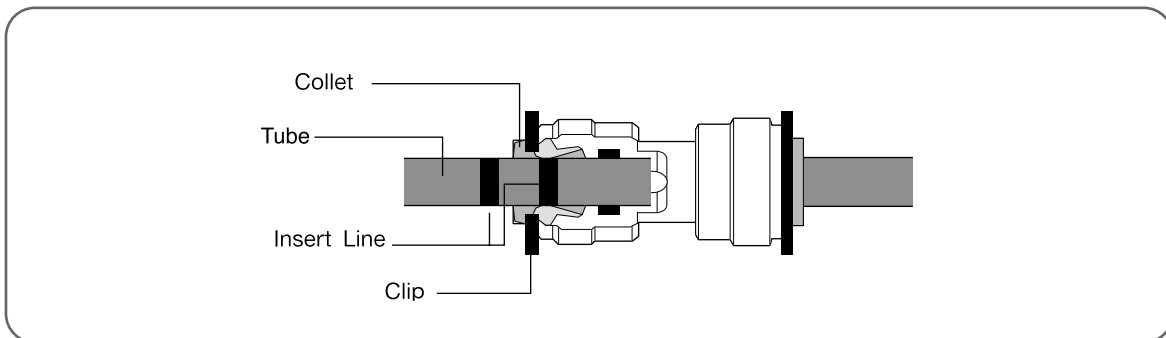


- 5 • Connect the door-switch wire harness (6). Push the water supply tube (7) into the hole on the top case and pull it through the backplate.

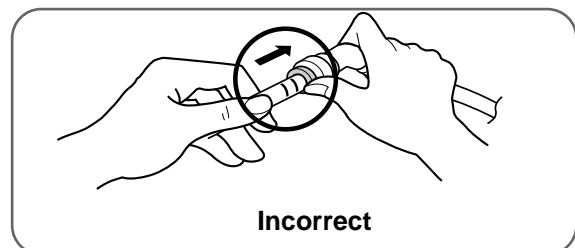
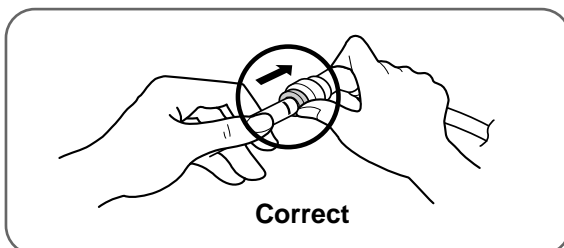


- 6 Insert the water supply tube into the connector.
- Insert the tube at least 5/8 in. (15 mm) into the connector.
  - Hook the tab on the door-switch side of the cover under the edge of the wire opening in the cabinet top. Position the cover into place. Insert and tighten the cover screw.

## ⚠ CAUTION



1. Insert the tube until you can see only one of the lines printed on the tube.
2. After inserting, pull the tube to ascertain that it is secure.
3. Assemble the clip.



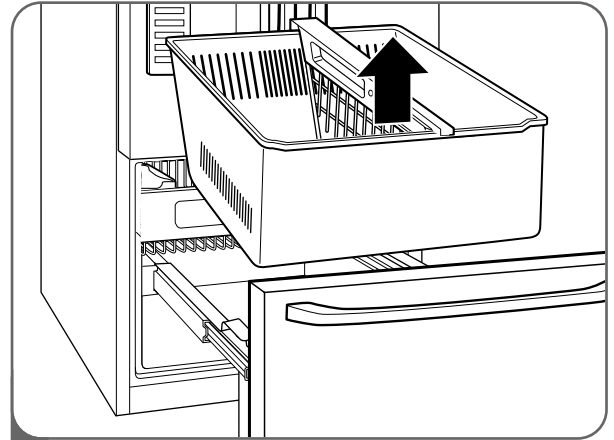
# INSTALLATION

## DOOR AND DRAWER REMOVAL (CONT.)

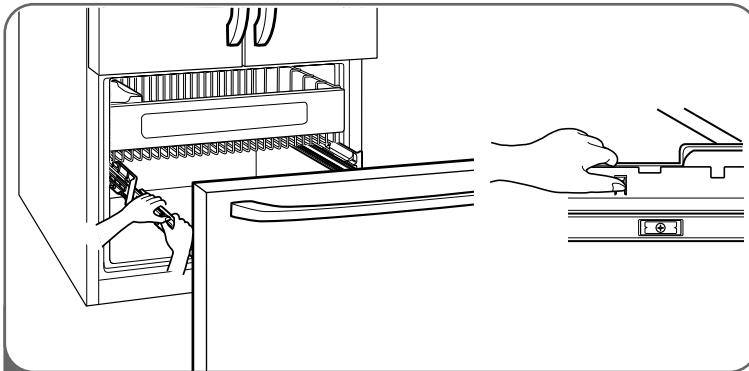
### FREEZER DRAWER REMOVAL

#### ⚠ CAUTION

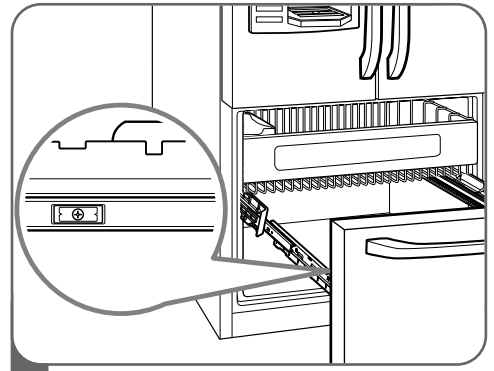
- To avoid possible injury or product or property damage, you will need two people to perform the following instructions.
- When you remove the drawer, do not hold the handle. It may come off and could cause personal injury.
- When laying the drawer down, be careful not to damage the floor or hurt your feet with the sharp edges on the hinge side.



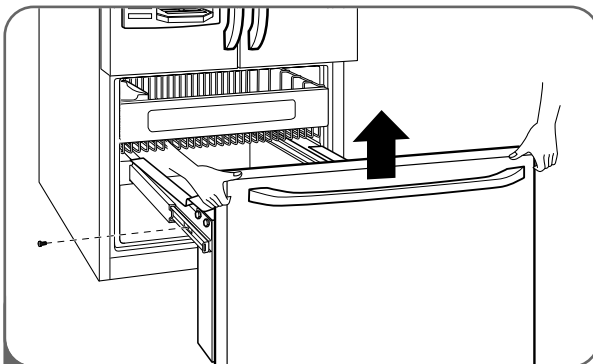
- 1 To remove the freezer drawer, pull the drawer open to full extension. Remove the lower DuraBase® basket by lifting the basket from the rail system.



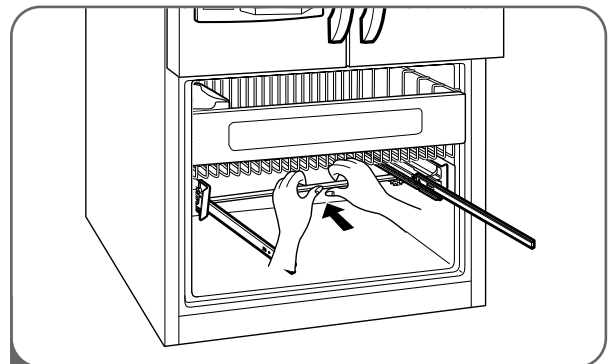
- 2 Separate the left and right rail cover



- 3 Remove the screws of the rail on both sides.



- 4 With both hands, hold both sides of the door and pull it up to separate it from the rails.



- 5 With both hands, hold the center bar and push it in to let both rails fitted simultaneously.

⚠ CAUTION: When you remove the drawer, do not hold the handle. If it may come off and it could cause personal injury.

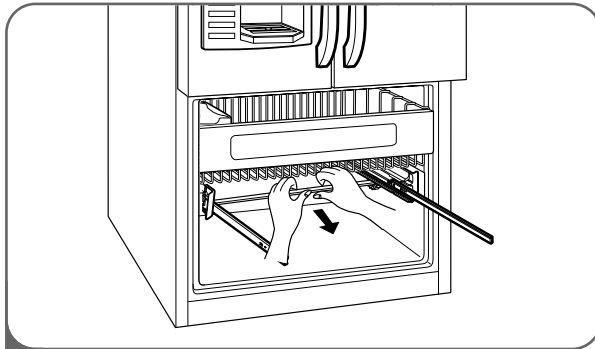
⚠ CAUTION: When laying the drawer down, be careful not to damage the floor or hurt your feet by the sharp edges on hinge side.

## DOOR AND DRAWER REMOVAL (CONT.)

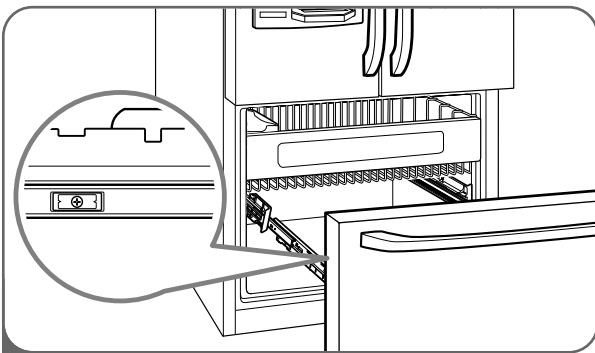
### FREEZER DRAWER REINSTALLATION

#### ⚠ CAUTION

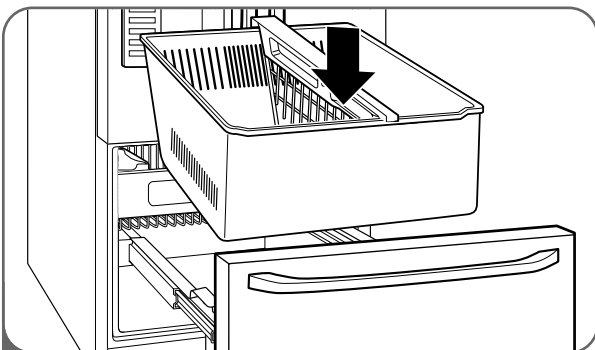
- To avoid possible injury or product or property damage, you will need two people to perform the following instructions.



- 1 To reinstall the freezer drawer, hold the center bar with both hands and pull it out until both rails are fully extended.



- 3 Lower door into final position and tighten the screws (3). Make sure you have a right rail cover for each side.

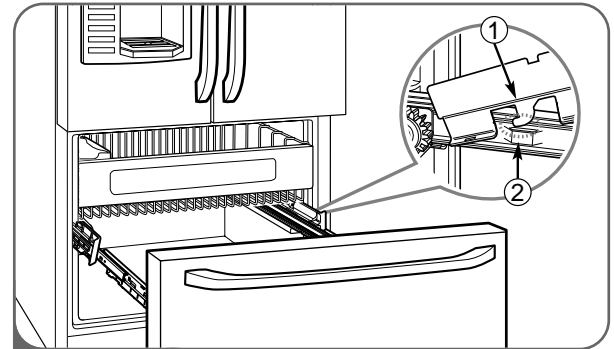


- 5 With the drawer pulled out to full extension, insert the lower basket in the rail assembly.

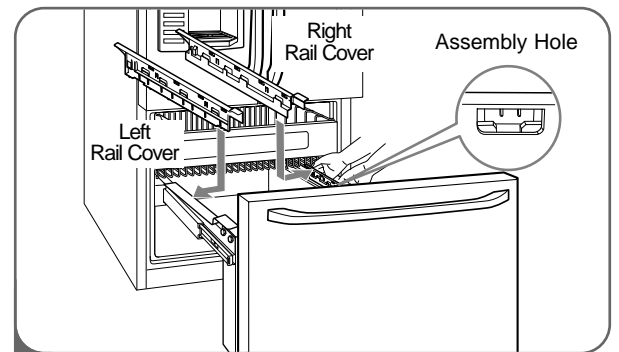
#### ⚠ DANGER

##### Risk of Child Entrapment

- To prevent accidental child and pet entrapment or suffocation risk, DO NOT allow them to play inside of the freezer drawer.
- DO NOT step or sit on the freezer drawer.



- 2 Hook door supports (1) into rail tabs (2).



- 4 Align the top holes of the rail cover with the top holes of the door supports to assemble the rail covers.

⚠ **WARNING:** To prevent accidental child and pet entrapment or suffocation risk. DO NOT allow them to play inside of drawer.

⚠ **WARNING:** DO NOT step or sit down on freezer

# INSTALLATION

## CONNECTING THE WATER SUPPLY

### **⚠️ WARNING**

**Connect to safe drinking water supply only.**

- The water pressure must be between 21 and 121 p.s.i. (1.5~8.5 kgf/cm<sup>2</sup>) on models without a water filter and between 43 and 121 p.s.i. (3~8.5 kgf/cm<sup>2</sup>) on models with a water filter.
- If water pressure does not reach 21 psi (1.5 kgf/cm<sup>2</sup>) or falls below, it is necessary to purchase a separate pressure pump for normal automatic icemaker and water dispensing operation.
- It is recommended that the total length of the water feed tube does not exceed 26 ft. (8 m).
- Install the water supply line where it will not be affected by heat.

**IMPORTANT:** Read all directions thoroughly before you begin.

- If operating the refrigerator before installing the water connection, turn the icemaker to the OFF position to prevent operation without water.
- All installations must be in accordance with local plumbing code requirements.
- Use copper tubing and check for leaks.
- Install tubing only in areas where temperatures will remain above freezing.
- It may take up to 24 hours for the icemaker to begin producing ice.

### Tools Required

- Standard screwdriver
- 7/16-in. and 1/2-in. open-end wrenches or two adjustable wrenches
- 1/4-in. nut driver
- 1/4-in. drill bit
- Hand drill or electric drill (properly grounded)

**NOTE:** Refrigerator dealers offer a kit with a 1/4-in. saddle-type shutoff valve, a union, and copper tubing. Before purchasing, make sure a saddle-type valve complies with local plumbing codes. **Do not use a piercing-type or 3/16-in. saddle valve which reduces water flow and clogs more easily.**

**NOTE:** The Commonwealth of Massachusetts Plumbing Code 248CMR shall be adhered to. Saddle valves are illegal and use is not permitted in Massachusetts. Consult with your licensed plumber.

### Cold Water Supply

- The icemaker water valve contains a flow washer which is used as a water pressure regulator.
- The icemaker needs to be connected to a cold water line with water pressure between 21~121 psi (1.5~8.5 kgf/cm<sup>2</sup>) on models without a water filter and between 43 and 121 p.s.i. (3~8.5 kgf/cm<sup>2</sup>) on models with a water filter.

## CONNECTING THE WATER LINES

**IMPORTANT:** Before connecting the tubing to the water line, unplug the refrigerator or disconnect the power.

- Turn off the main water supply and open the nearest faucet to relieve pressure in the line. Opening an outside faucet may help drain water from the line in the house.
- Find a 1/2-in. vertical COLD water pipe near the refrigerator.

**NOTE:** A horizontal pipe will work, but the following precaution must be taken: drill on the top of the pipe, not the bottom. This will help keep water away from the drill and also keep normal sediment from collecting in the valve.

- To determine the length of copper tubing you will need, measure from the connection on the lower left rear of the refrigerator to the water pipe. Add 7 ft. (2.1 m) to allow for moving the refrigerator for cleaning. Use 1/4-in. O.D. (outside diameter) copper tubing. Be sure both ends of the copper tubing are cut square.
- Using a drill, drill a 1/4-in. hole in the cold water pipe you have selected.

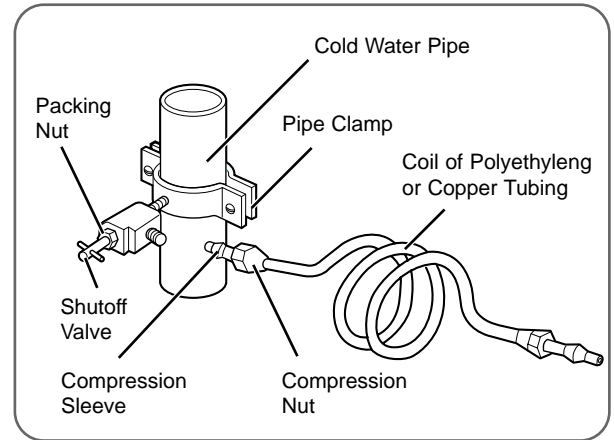


# INSTALLATION

## CONNECTING THE WATER LINES (CONT.)

- Fasten the shutoff valve to the cold water pipe with the pipe clamp. Be sure the outlet end is solidly in the 1/4-in. drilled hole in the water pipe and the washer is under the pipe clamp. Tighten the packing nut. Tighten the pipe clamp screws carefully and evenly so the washer makes a watertight seal. Do not overtighten or you may crush the copper tubing, especially if soft (coiled) copper tubing is used. Now you are ready to connect the copper tubing.
- Slip the compression sleeve and the compression nut onto the copper tubing as shown. Insert the end of the tubing into the outlet end squarely as far as it will go. Screw the compression nut onto the outlet end with a wrench. A flare nut wrench works best, but an open-end wrench will suffice. Do not overtighten.

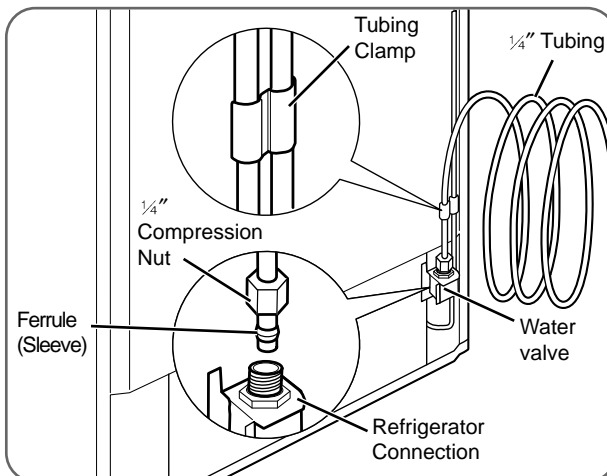
- Place the free end of the tubing into a container or sink, and turn on the main water supply. Flush out the tubing until the water is clear. Turn off the shutoff valve on the water pipe. Coil the copper tubing as shown below.



**IMPORTANT:** Before connecting the tubing to the refrigerator, be sure the refrigerator power cord is not plugged into the wall outlet.

If your refrigerator does not have a built-in water filter, we recommend installing an external in-line water filter. If your water supply contains sand or particles, that sediment could clog the screen of the refrigerator's water valve. Install the filter in the water line near the refrigerator.

**NOTE:** If your refrigerator is equipped with an internal water filter, an external in-line water filter should not be used.



- Remove the plastic flexible cap from the water valve.
- Place the compression nut and ferrule (sleeve) onto the end of the tubing as shown.
- Insert the end of the copper tubing into the connection as far as possible. While holding the tubing, tighten the fitting.

**IMPORTANT:** Tighten any connections that leak. Open the water at the shutoff valve.

- Plug in the refrigerator.
- Arrange the coil of copper tubing behind the refrigerator so it does not vibrate against the back of the refrigerator or against the wall.
- Check for leaks.
- Purge about 6 glasses of water that are dispensed after refrigerator installation.

**NOTE:** It may take a few seconds for water to begin to flow as the internal tank fills and air clears from the lines.

- Push the refrigerator back to the wall.
- Set the icemaker switch to the ON position.

**NOTE:** The icemaker will not begin to operate until it reaches its operating temperature of 15°F (-9°C). It will then begin operation automatically.

**NOTE:** Throw away the first few batches of ice (about 20 pieces).

# INSTALLATION

## LEVELING THE REFRIGERATOR DOORS

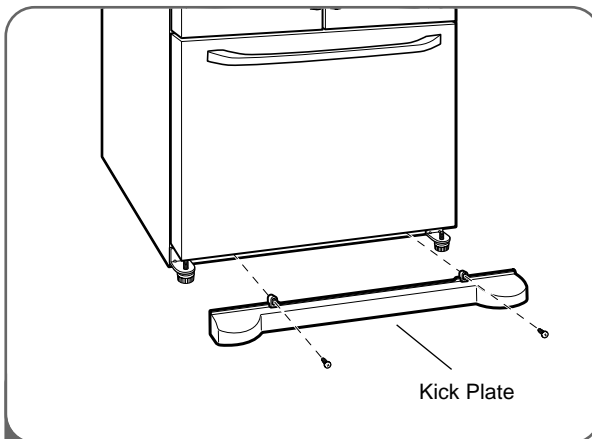
### **⚠️ WARNING**

#### **Electrical Shock Hazard**

- Be careful when you work with the hinges, base grille, and stopper. You may be injured.
- Do not put hands or feet or metal sticks into the air vents, base grille, or the bottom of the refrigerator. You may be injured or receive an electrical shock.

#### **Leveling**

Your refrigerator has two front leveling legs—one on the right and one on the left. Adjust the legs to alter the tilt from front to back or side to side. If your refrigerator seems unsteady or you want the doors to close more easily, adjust the refrigerator's tilt using the following instructions:



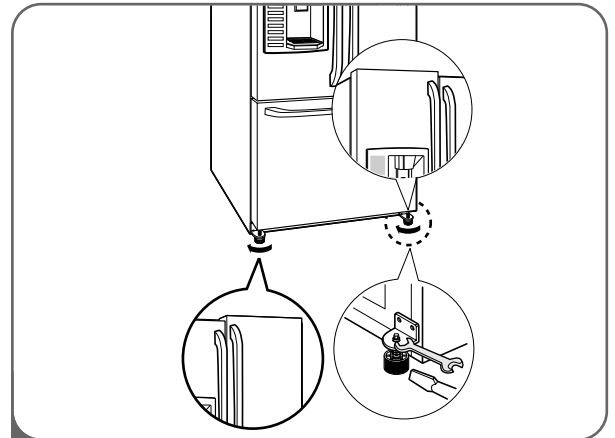
**1** Plug the power cord into a 3-prong grounded outlet, and move the refrigerator into its final position. Remove the kick-plate screws and then the kick plate.

- Open the Freezer Drawer.
- Once the drawer is open, there is sufficient clearance to remove the screws on top of the kick plate.

**NOTE:** To replace the kick plate, place it into position, and then insert and tighten the screws.

### **⚠️ CAUTION**

- To avoid possible injury or product or property damage, you will need two people to perform the following instructions.



**2** Level the refrigerator by using an 11/32 inch (8mm) wrench or a flat blade screw driver. Turn the leveling legs (CCW) to raise or (CW) to lower the height of the front of the refrigerator.

**NOTE:** The front of the refrigerator should be slightly higher than the back.

**NOTE:** If someone pushes backward against the top of the refrigerator, weight is lifted off of the leveling legs, which makes adjustment easier.

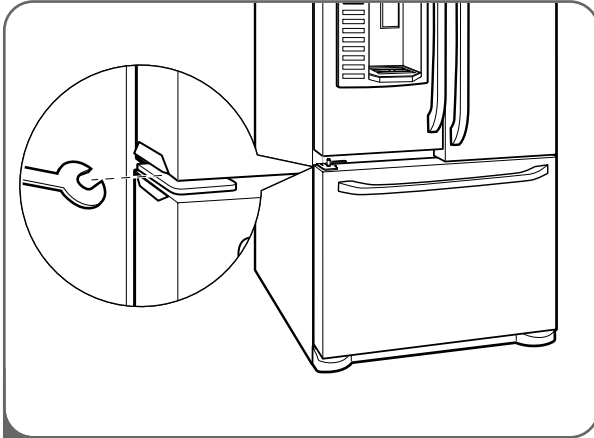
Open both doors to make sure they close easily. If not, raise the leveling legs higher by turning both clockwise the same amount.

Once the refrigerator is level, replace the kick-plate.

**NOTE:** Your new refrigerator is uniquely designed with two fresh food doors. Either door can be independently opened or closed. You will have to exert slight pressure on the doors to close them completely.

## LEVELING THE REFRIGERATOR DOORS (CONT.)

### DOOR ALIGNMENT



- 1 • Remove the Base Grillie.
  - Turn the leveling legs(CCW) to raise or (CW) to lower the height of the front of the refrigerator by using flat blade screw driver or 11/32" wrench.
  - Use the wrench (Included with the User Manual) to adjust the bolt in the door hinge to adjust the height.(CCW to raise or CW to lower the height.)

## STARTING

Before loading your refrigerator with fresh foods:

- Remove tape and any temporary labels from your refrigerator before using. To remove any remaining adhesive residue, rub the area briskly with your thumb, or rub a small amount of liquid dish soap over the adhesive with your fingers. Wipe with warm water and dry. Do not use sharp instruments, rubbing alcohol, flammable fluids, or abrasive cleaners to remove tape or glue.

**NOTE:** Do not remove any warning-type labels, the model and serial number label, or the tech sheet that is attached to the back wall of the refrigerator.

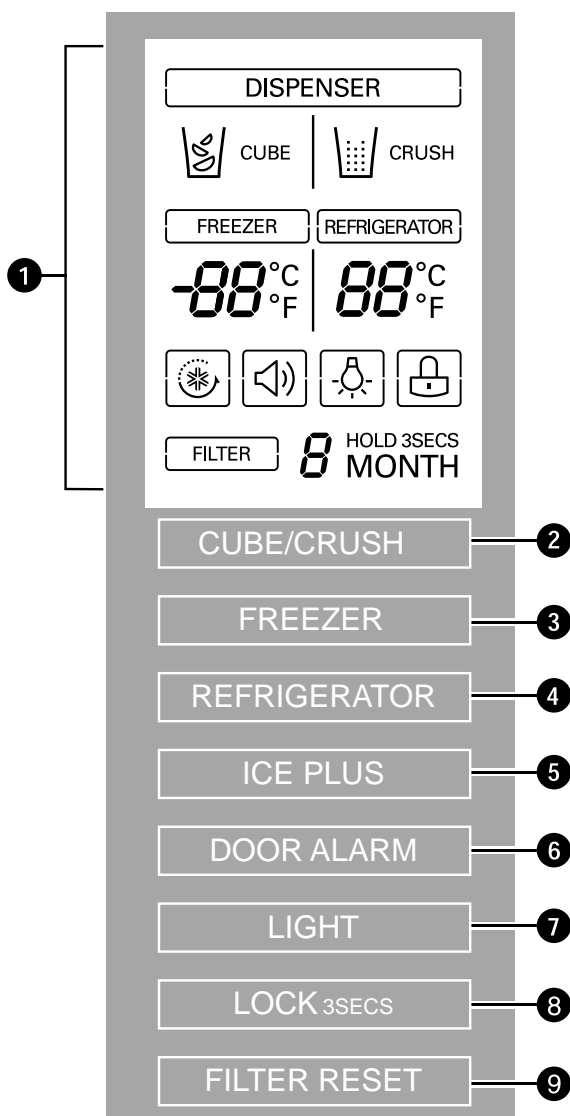
- Thoroughly clean your refrigerator and wipe off all dust that may have accumulated during shipping.

- Install accessories such as the ice cube bin, drawers, shelves, in their proper places. They are packed together to prevent possible damage during shipment.
- Adjust the desired temperature for the refrigerator and freezer (see Adjusting the Temperature and Functions).
- Let your refrigerator run for at least 2 or 3 hours before putting food in it. Check the flow of cold air in the freezer compartment to ensure proper cooling. Your refrigerator is now ready for use.

# HOW TO USE

## CONTROL PANEL FEATURES

For complete details on button functions, see pages 22–24.



### 1 LCD DISPLAY

The LCD display shows the temperature settings, dispenser options, and the water filter, door alarm, and locking status messages. The display can be switched into Power-Saving Mode where it will only illuminate when a compartment door is opened or a button is pressed.

### 2 CUBE/CRUSH BUTTON

The CUBE/CRUSH button is used to select Cubed Ice or Crushed Ice.

### 3 FREEZER BUTTON

Press the FREEZER button to adjust the temperature in the freezer compartment.

**NOTE:** When pressed simultaneously with the REFRIGERATOR button for more than five seconds, the temperature display will change from Fahrenheit to Celsius or vice versa.

### 4 REFRIGERATOR BUTTON

Press the REFRIGERATOR button to adjust the temperature in the refrigerator compartment.

**NOTE:** When pressed simultaneously with the FREEZER button for more than five seconds, the temperature display will change from Fahrenheit to Celsius or vice versa.

### 5 ICE PLUS

Press this button to turn on the ICE PLUS feature, which increases icemaking capabilities up to about 20 percent.

### 6 DOOR ALARM BUTTON

Press this button to control the door-open alarm.

### 7 LIGHT BUTTON

The LIGHT button controls the lamp in the dispenser.

### 8 LOCK BUTTON

Press this button to lock or unlock all the other function buttons on the control panel, including operation of the dispenser.

### 9 FILTER RESET BUTTON

The FILTER RESET button resets the water filter replacement indicator when the water filter has been replaced.

# HOW TO USE

## THE LCD DISPLAY

The LCD display shows the temperature settings, dispenser options, and the water filter, door alarm, and locking status messages.

### 1 DISPENSER SELECTION INDICATOR

Shows Cubed ice or Crushed Ice selection that will be dispensed when the push switch is pressed.

### 2 FREEZER TEMPERATURE

Indicates the set temperature of the freezer compartment in Celsius or Fahrenheit.

### 3 REFRIGERATOR TEMPERATURE

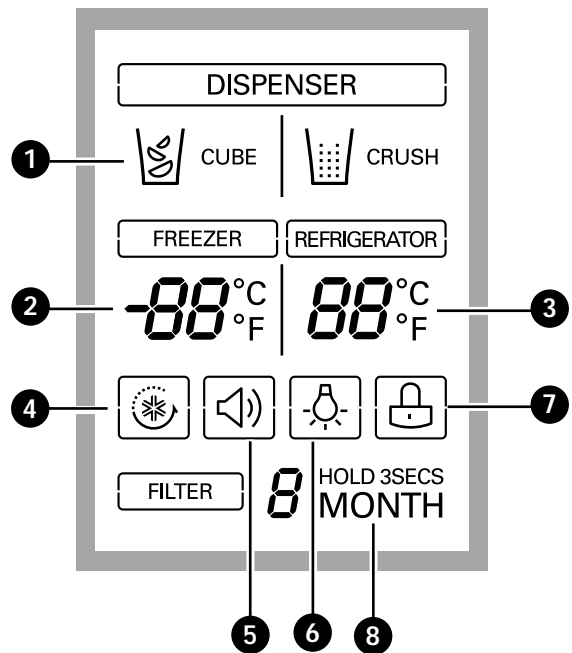
Indicates the set temperature of the refrigerator compartment in Celsius or Fahrenheit.

### 4 ICE PLUS

When the ICE PLUS button is pressed, the display will indicate the selected function has been activated.

### 5 DOOR ALARM INDICATOR

This indicator shows that the door-open warning alarm is activated.



### 6 DISPENSER LIGHT INDICATOR

When the LIGHT button is pressed, the display will indicate the selected function: The dispenser light is on, this indicator will appear on the display panel.

### 7 LOCK STATUS

This indicator shows the current status for the control panel functions is set to LOCK.

### 8 WATER FILTER STATUS

This indicator shows the current status for the water filter. See Resetting the Filter Indicator.

# HOW TO USE

## ADJUSTING THE TEMPERATURES AND DISPLAY

### Adjust Freezer Temperature

To adjust the temperature in the freezer compartment, press the FREEZER button to cycle through the the range of available settings.



0°F

### Adjust Refrigerator Temperature

To adjust the temperature in the refrigerator compartment, press the REFRIGERATOR button to cycle through the range of available settings.



37°F

**NOTE:** The actual inner temperature varies depending on the food status, since the indicated temperature setting is the target temperature and not the actual temperature within the refrigerator. Initially set the REFRIGERATOR CONTROL at 37°F (3°C). Leave it at this setting for 24 hours (one day) to stabilize. Then adjust the compartment temperature as illustrated above.



### Temperature Display

To change the temperature display from Fahrenheit to Celsius:

- Simultaneously press and hold the FREEZER and REFRIGERATOR buttons for more than 5 seconds.
- Do the same to convert back to Fahrenheit.

## OPERATING THE DISPENSER

To dispense ice, select Cubed Ice, or Crushed Ice, and press the ice switch with a glass or other Container.

To dispense water, press the push a glass or other container.

To dispense water, put a glass or other container on the drain and than push active water button with a finger

### DISPENSING CRUSHED ICE

CUBE/CRUSH



Press the CUBE/CRUSH button to illuminate the Crushed Ice icon.

Press the push ice switch with a glass or other container and crushed ice will be dispensed.

### DISPENSING WATER



Press the push water switch or active water button with a glass or other container and chilled water will be dispensed.

When the water switch or active water switch is pressed, the light will be illuminated.

### DISPENSING CUBED ICE

CUBE/CRUSH



Press the CUBE/CRUSH button to illuminate the Cubed Ice icon.

Press the push switch with a glass or other container and cubed ice will be dispensed.

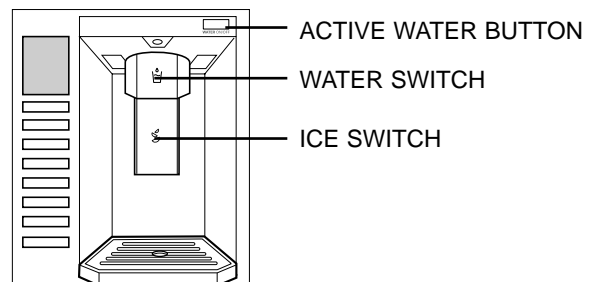
### CONTROLLING THE DISPENSER LIGHT

LIGHT



Press the LIGHT button to turn the dispenser light on and off.

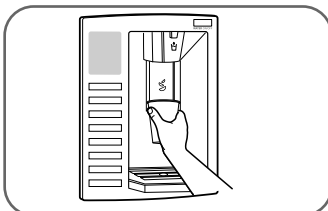
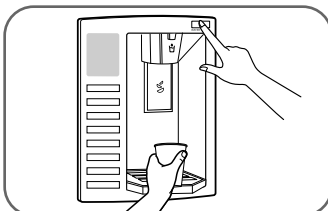
**NOTE:** Hold the glass or other container in place for a couple of seconds after dispensing ice or water to catch the last few cubes or drops. The dispenser is designed to not operate while either refrigerator door is open.



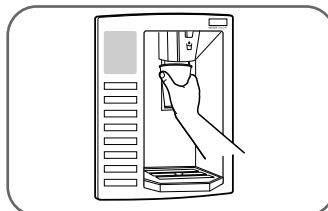
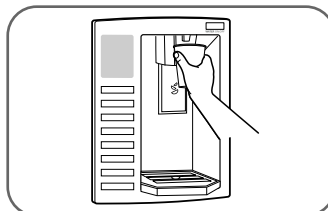
## CAUTION

When opening the container with the small opening, use it near the opening of the water or ice dispenser as close as possible.

### Incorrect



### Correct



# HOW TO USE

## SETTING THE FUNCTIONS

Press the button for the desired function to view and select other settings.

### SETTING THE DISPENSER LOCK

LOCK 3SECS



Press and hold the LOCK button for three seconds to lock the dispenser and all of the other control panel functions. Press and hold again for 3 seconds to unlock.

### SETTING THE DOOR ALARM

DOOR ALARM



The DOOR ALARM button also controls the door alarm that sounds three times in 30-second intervals when a compartment door is left open for more than 60 seconds. The alarm stops sounding when the door is closed.

Press the DOOR ALARM button once to activate and deactivate the door alarm function.

**NOTE:** Contact your local service center if the alarm continues to sound after the doors are closed.

### RESETTING THE FILTER INDICATOR

FILTER RESET

HOLD 3SECS  
6 MONTH

Press and hold the FILTER RESET button for more than 3 seconds to reset the filter indicator after the water filter has been replaced.

**NOTE:** It is recommended that you replace the filter when the water filter indicator light reaches 0 or whenever the water or ice cube taste deteriorates noticeably.

### ACTIVATING ICE PLUS

ICE PULS



Press the ICE PULS button once to activate the Ice Plus function. The ICE PULS icon on the display panel will illuminate when activated.

The Ice Plus function runs the freezer compartment at the coldest setting for a 24-hour period to increase icemaking by up to about 20%, and then turns off automatically.

**NOTE:** Press the button again to cancel the Ice Plus function.

## DIAGNOSTIC FAILURE DETECTION

The diagnostic function automatically detects problems with your refrigerator, and a diagnostic code will appear in the display. **NOTE:** If a diagnostic code appears in the display during use, note the code and then call **1-800-243-0000** (24 hours per day/7 days per week) and select the option to locate an authorized servicer.



## IN-DOOR ICE BANK

### ⚠ CAUTION

- Keep hands and tools out of the ice bank door and dispenser chute. You could break something or injure yourself.

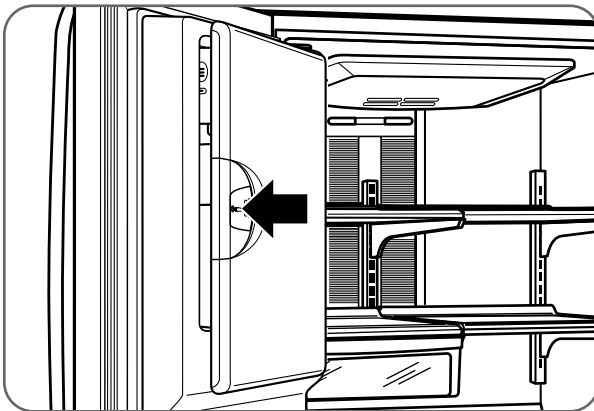
The icemaker will stop producing ice when the ice bank is full. If you need more ice, empty the ice bank into the extra ice bin in the freezer compartment so the icemaker can keep producing ice.

Shake the ice bank occasionally to level the ice in it. Sometimes the ice piles up near the icemaker, causing the icemaker to misread the amount of ice cubes and stop producing ice.

**NOTE:** Storing cans or other items in the ice bank may damage the icemaker.

Keep the ice bank door closed tightly. If the ice bank door is not closed tightly, the cold air in the ice bank will freeze food in the refrigerator compartment. This could also cause the icemaker to not produce ice.

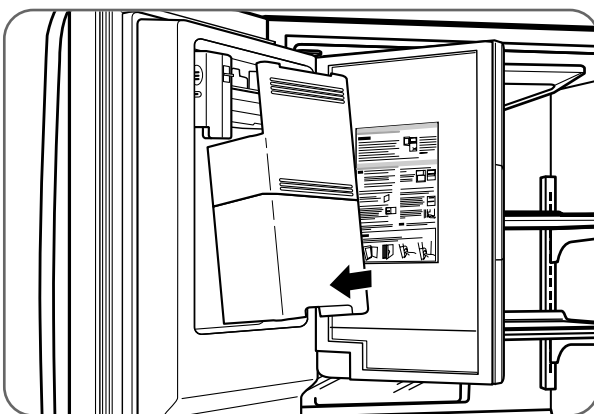
**NOTE:** If the On/Off switch on the icemaker is set to Off for an extended time, the ice compartment will gradually warm up to the temperature of the refrigerator compartment. To prevent ice cubes from melting and leaking from the dispenser, ALWAYS empty the ice bin when the icemaker is set to Off for more than a few.



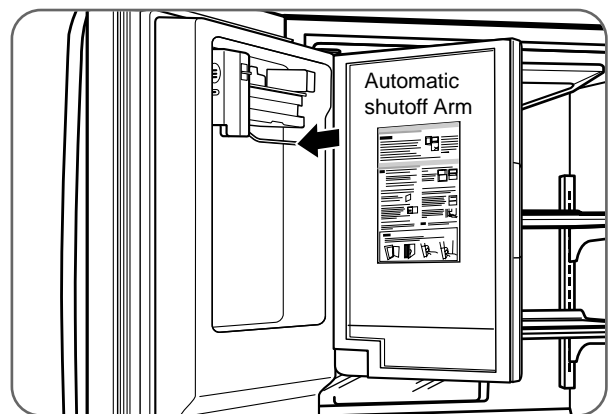
Push on the latch firmly where noted to close the ice bank door; it will make a clicking sound when it is closed completely.



To remove the in-door ice bank, grip the front handle, slightly lift the lower part, and slowly pull out the bin as shown.



To reinstall the in-door ice bank, slightly slant the bin during replacement to avoid contact with the icemaker.



Avoid touching the automatic shutoff arm when replacing the ice bank. See the label on the ice bank door for details.

# HOW TO USE

## AUTOMATIC ICEMAKER

Ice is made in the automatic icemaker and sent to the dispenser. The automatic icemaker can make 6 ice cubes at a time, 100–130 cubes per 24-hour period. This quantity may vary by circumstance, including freezer compartment temperature, room temperature, number of door openings, freezer load, and other operating conditions.

- It takes about 12 to 24 hours for a newly installed refrigerator to make ice.
- Icemaking stops when the ice storage bin is full.
- To turn off the automatic icemaker, set the icemaker switch to OFF. To turn on the automatic icemaker, set the switch to ON.
- The cube size will vary depending on the Water Amount Selection Setting, as well as the water pressure of the connected water line.
- You can regulate the cube size by pressing the Water Amount Selection Button.

NOTE: It is normal that a noise is produced when ice drops into the ice storage bin.

- Even when the water pipe is not connected and the Ice Maker is turned on, the water valve operates. The noise is generated because the water pipe is not connected, which does not mean the icemaker is defective.

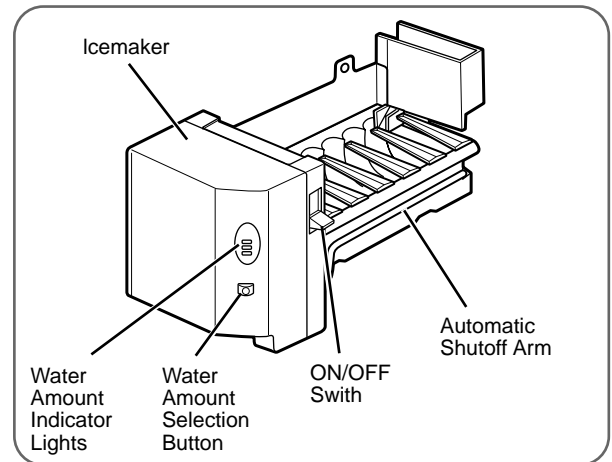
## CAUTION

- The first ice and water may include particles or odor from the water supply line or the water tank.
- Throw away the first few batches of ice (about 20 pieces) and purge about the first 6–7 glasses of water that are dispensed after refrigerator installation.
- This is also necessary if the refrigerator has not been used for a long time.
- Never store beverage cans or other foods in the ice bank for the purpose of rapid cooling. Doing so may damage the icemaker or the containers may burst.
- If discolored ice is dispensed, check the water filter and water supply. If the problem continues, contact an Authorized Service Center. Do not use the ice or water until the problem is corrected.
- Keep children away from the dispenser. Children may play with or damage the controls.
- The ice passage may also become blocked with frost if only crushed ice is used. Remove the frost that accumulates.

## WARNING

### Personal Injury Hazard

- Avoid contact with the moving parts of the ejector mechanism or with the heating element that releases the cubes. **DO NOT** place fingers or hands on the automatic icemaking mechanism while the refrigerator is plugged in.



NOTE: Raising the automatic shutoff arm does not turn off the icemaker.

- Never use thin crystal glass or crockery to collect ice. Such glasses or containers may break, and glass fragments could be in the ice.
- Dispense ice into a glass before filling it with water or other beverages. Splashing may occur if ice is dispensed into a glass that already contains liquid.
- Never use a glass that is exceptionally narrow or deep. Ice may jam in the ice passage and refrigerator performance may be affected.
- Keep the glass at a proper distance from the ice outlet. A glass held too close to the outlet may prevent ice from dispensing.
- To avoid personal injury, keep hands out of the ice door and passage.
- Never remove the icemaker cover.
- If you find ice or water dispensed unexpectedly, turn off the water supply and contact an Authorized Service Center. Call **1-800-243-0000** (24 hours a day, 365 days a year) and select the option to locate an authorized servicer.

## OPTIBIN™ CRISPER HUMIDITY CONTROL

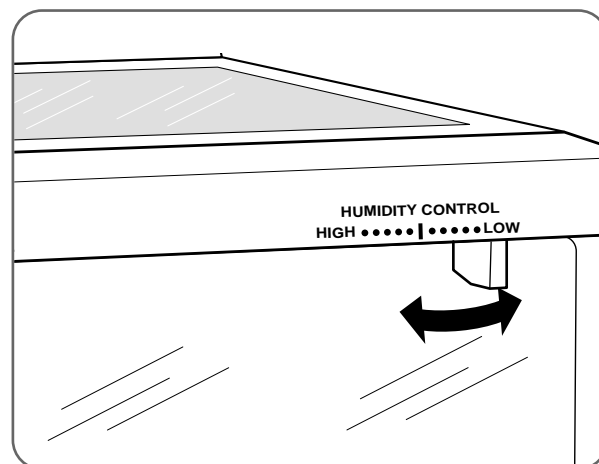
With easy-to-control humidity inside the crisper bins, the Optibin Crispers ensure fresher-tasting fruit and vegetables.

The Optibin Crispers include a humidity control knob at the front of the crisper cover.

You can control the amount of humidity in the moisture-sealed crispers. Store vegetables or fruits requiring more or less humidity in separate crispers. Adjust the control to any setting between the High and Low letter.

A lower humidity setting lets moist air out of the crisper for the best storage of fruits.

A higher humidity setting keeps moist air in the crisper for the best storage of fresh, leafy vegetables.



## STORING FOODS

- Store fresh food in the refrigerator compartment.
- How food is frozen and thawed is an important factor in maintaining freshness and flavor.
- Do not store food that spoils easily, such as bananas and melons, at low temperatures.
- Allow hot food to cool prior to storing; placing hot food in the refrigerator could spoil other food and lead to higher energy consumption.
- When storing food, cover it with vinyl wrap or store in a container with a lid. This prevents moisture from evaporating and helps food to keep its flavor and nutrition.
- Do not block air vents with food or containers. Smooth circulation of chilled air keeps the refrigerator temperatures even.
- Do not open the doors frequently. Opening the doors allows warm air to enter the refrigerator and freezer compartments, which causes temperatures to rise.
- Never overload the door racks; overloading may push against the inner racks and prevent the doors from closing correctly.

### Freezer compartment

- Do not store glass bottles in the freezer compartment; glass may break when the contents are frozen.
- Do not refreeze food that has been thawed. This causes loss of flavor and nutrition.
- Do not touch cold foods or containers, especially those made of metal, with wet hands or place glass products in the freezer compartment.
- Do not use the egg box as an ice bin in the freezer. The egg box will easily break if it freezes.

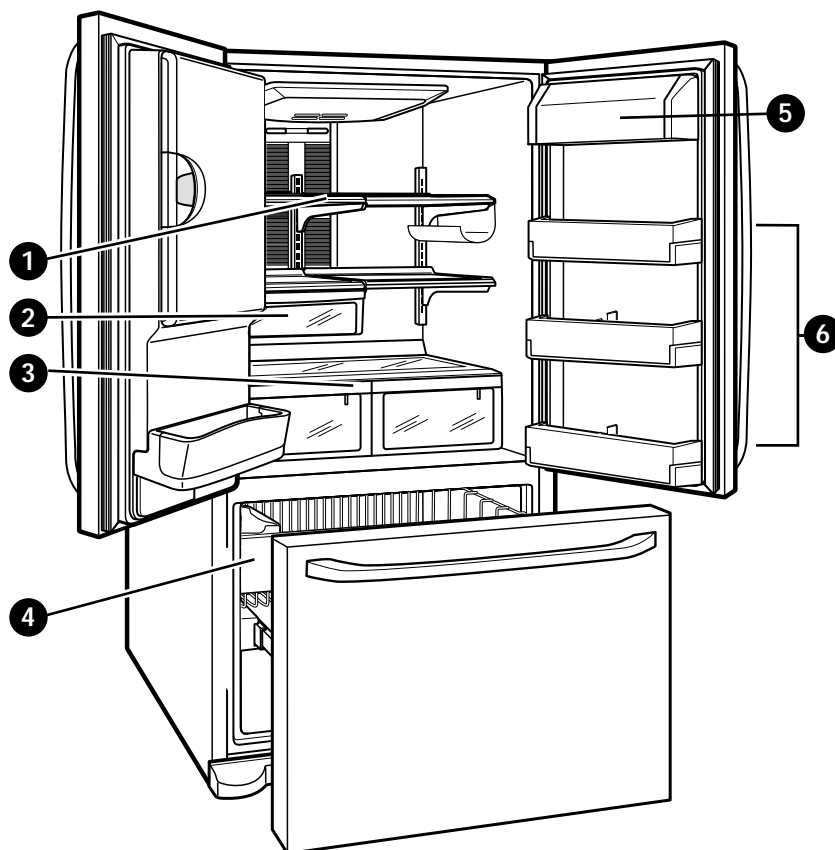
### Refrigerator compartment

- Avoid placing moist food on the top refrigerator shelves; it could freeze from direct contact with chilled air.
- Always clean food prior to refrigeration. Vegetables and fruits should be washed and wiped and packed food should be wiped to prevent adjacent food from spoiling.

**NOTE:** If you keep the refrigerator in a hot and humid place, frequent opening of the door or storing a lot of vegetables in the refrigerator may cause condensation to form. Wipe the condensation with a clean cloth or a paper towel.

# HOW TO USE

## LOCATION OF FOODS



### ❶ REFRIGERATOR COMPARTMENT SHELVES

Store larger food items, platters, and containers on the expansive refrigerator compartment shelves.

### ❷ SNACK PAN

Store small food items such as bread and snack foods.

### ❸ CRISPERS

Store vegetables or fruits with humidity control.

### ❹ FREEZER PULL-OUT DRAWER

Store small packed frozen food, or store meat, fish, and chicken after wrapping them with thin foil. Store dry.

### ❺ DAIRY CORNER

Store milk products such as butter and cheese.

### ❻ MODULAR REFRIGERATOR DOOR BINS

Store small packed food or beverages such as condiments, salad dressings, baby foods, milk, or juice.

## SHELF HEIGHT ADJUSTMENT

The shelves in your refrigerator are adjustable to meet your individual storage needs. Your model may have glass or wire shelves.

Storing similar food items together in your refrigerator and adjusting the shelves to fit different heights of items will make finding the exact item you want easier; it will also reduce the amount of time the refrigerator door is open, saving energy.

**IMPORTANT:** Do not clean glass shelves with warm water when they are cold. Shelves may break if exposed to sudden temperature changes or impact, such as bumping. For your protection, glass shelves are made with tempered glass, which will shatter into small pebble-sized pieces.

**NOTE:** Glass shelves are heavy. Use special care when removing them to avoid dropping them.

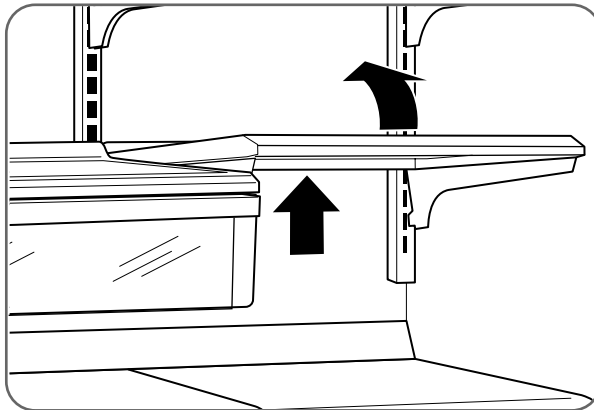
### Adjusting Shelves

Remove shelves from the shipping position and replace shelves in the position you want.

### ⚠ CAUTION

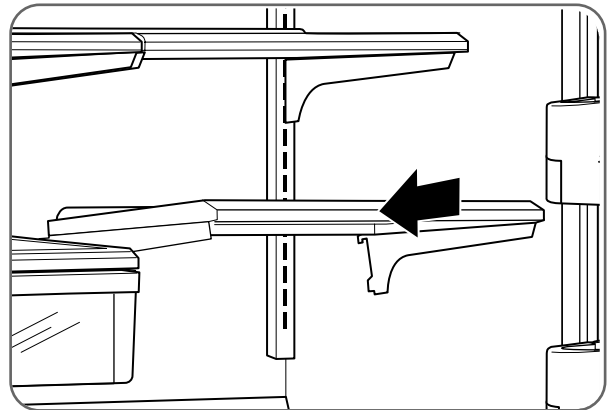
Make sure that shelves are level from one side to the other. Failure to do so may result in the shelf falling or spilling food.

#### Remove Shelf



Tilt up the front of the shelf. Lift up the back and pull out the shelf.

#### Reinstall Shelf



Tilt up the front of the shelf and guide the shelf hooks into the slots at a desired height. Then lower the front of the shelf so that the hooks drop into the slots.

# CARE AND CLEANING

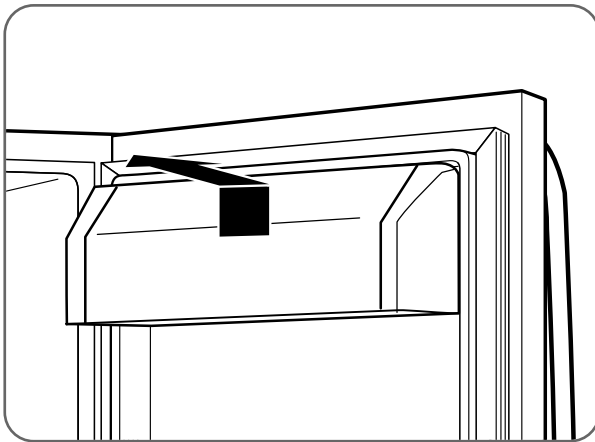
## REMOVING AND REPLACING COMPONENTS

**NOTE:** When reinstalling components, reverse the order of steps for removal. To prevent damage, never use excessive force when removing or reinstalling components.

### ⚠ CAUTION

- Personal injury can occur if the door bins are not firmly assembled.  
**NOTE:** DO NOT adjust a loaded bin.
- DO NOT allow children to play with baskets. The sharp corners on the baskets could cause injury.

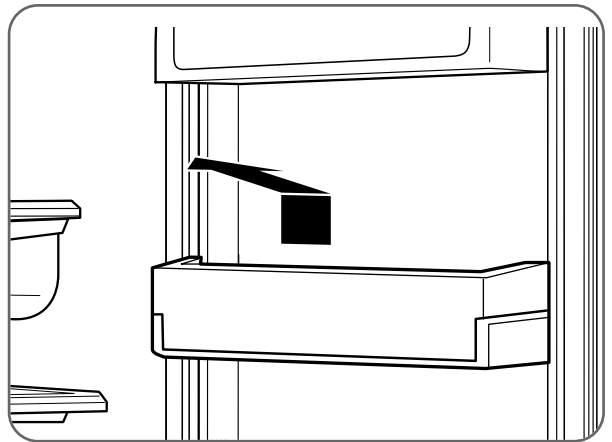
#### Dairy Bin



To remove the dairy bin, simply lift it and pull straight out. To replace the dairy bin, slide it into place and push down until it stops.

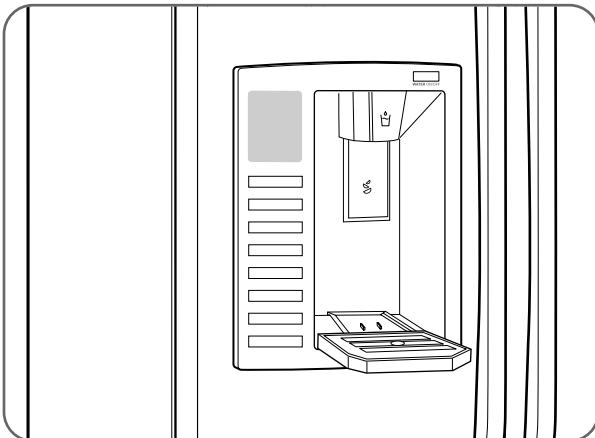
**NOTE:** The dairy bin will only fit in the top space on the right-hand door.

#### Modular Door Bin

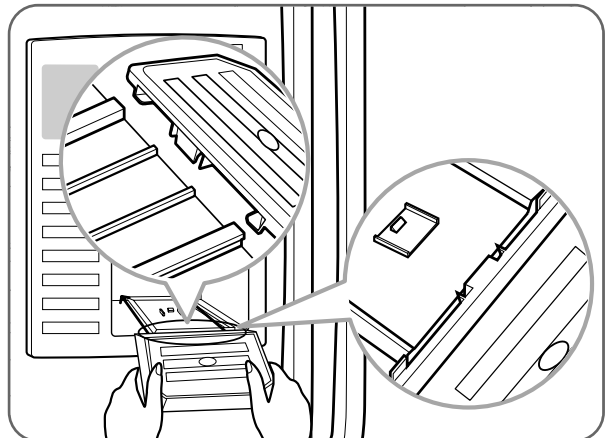


The door bins are removable for easy cleaning and adjusting. Simply lift the bin and pull it straight out to remove it. To replace the bin, slide it in above the desired support button and push down until it stops.

#### Dispenser Drip Tray

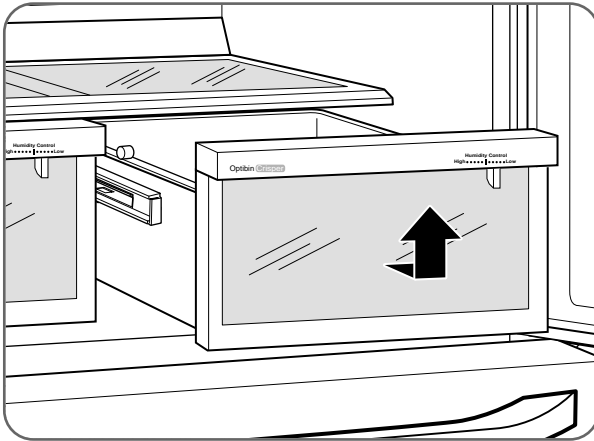


The dispenser drip tray has no self-draining function. It should be cleaned regularly. Remove the cover by pressing and pulling the tray. Dry it with a cloth. To reinstall the tray, slightly tilt the front of the tray and snap the ribs into the holes.



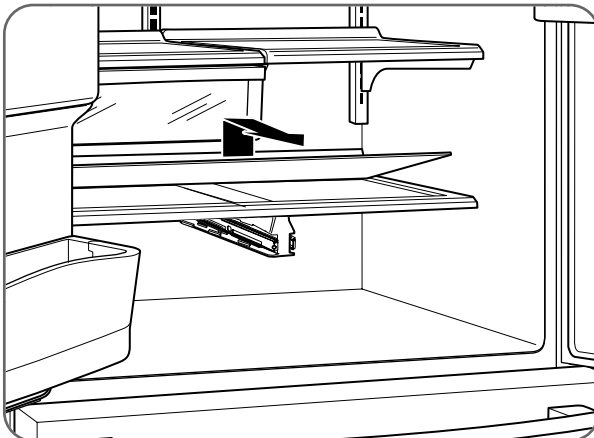
## REMOVING AND REPLACING COMPONENTS (CONT.)

### The OptiBin™ Crispers



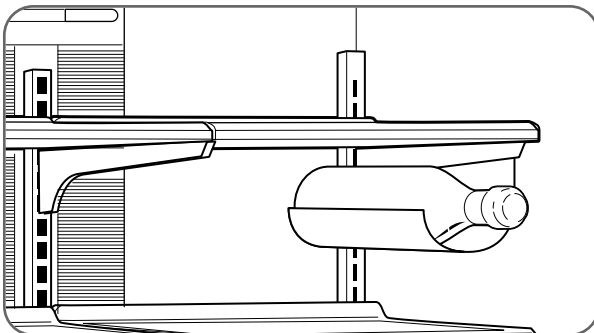
To remove the crisper bin, pull it out to full extension. Lift the front of the crisper and pull the bin straight out to remove it.

### Removing the OptiBin™ Crispers (Cont.)

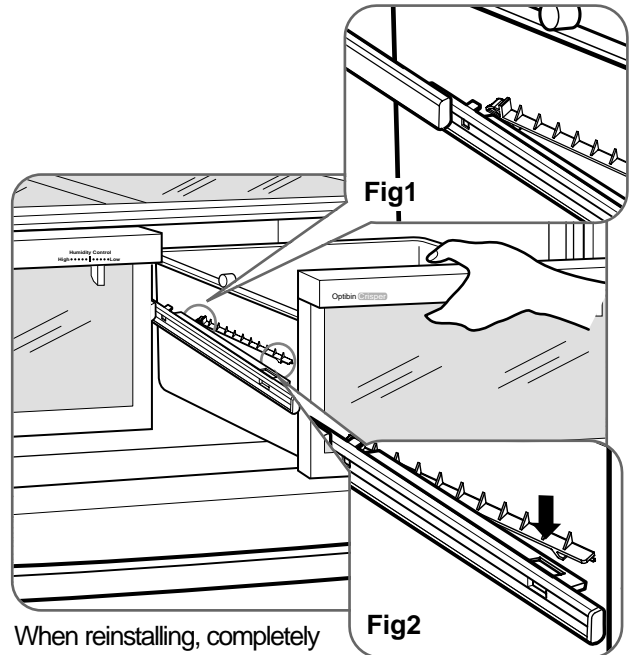


To remove the glass in the crisper cover, reach under the crisper cover, and lift the glass. Pull the glass up and out to remove it.

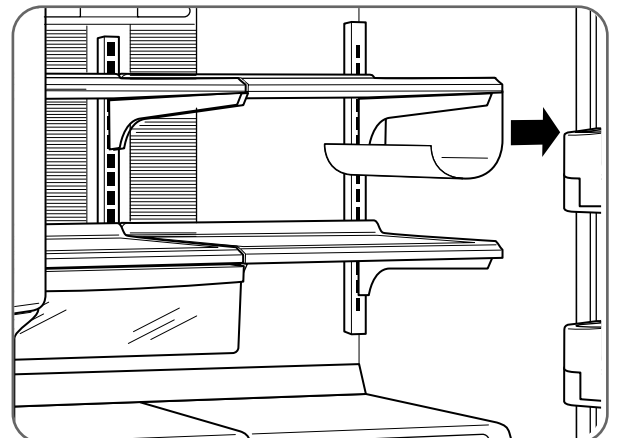
### Bottle Holder



The bottle holder stores bottles in a horizontal position. It attaches to any shelf.



When reinstalling, completely draw out the rail and then combine the hook1 as shown in Fig. 1 and combine hook as shown in Fig. 2.



To remove the bottle holder, pull it straight out and off of the shelf. To install the bottle holder, place it at the end of the desired shelf and push it straight back into place.

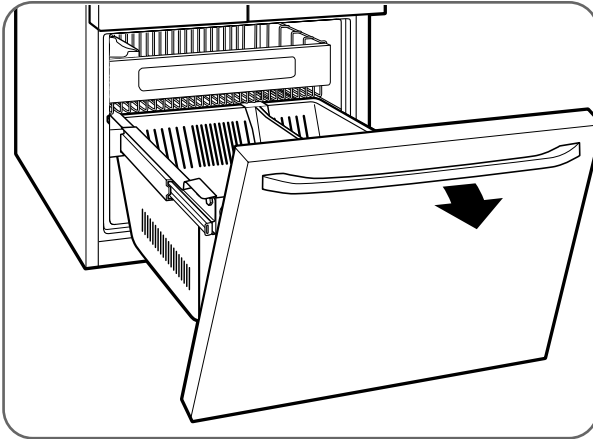
# CARE AND CLEANING

## REMOVING AND REPLACING COMPONENTS (CONT.)

### ⚠ CAUTION

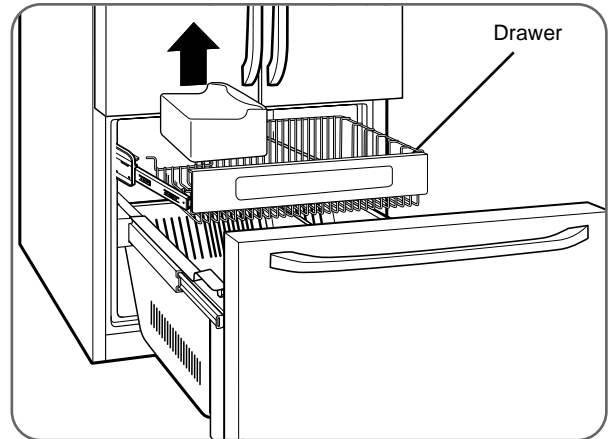
- Pinch hazard! Keep hands and feet clear of the bottom of the door when opening and closing.

#### Tilt-Out Freezer Door



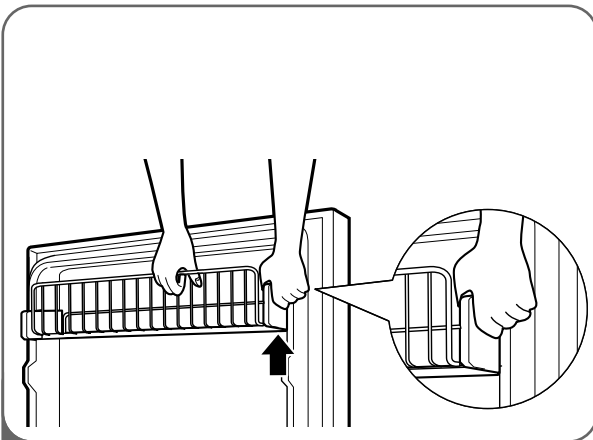
To access the freezer section, tilt the door downward and pull it out to full extension.

#### Ice Bin

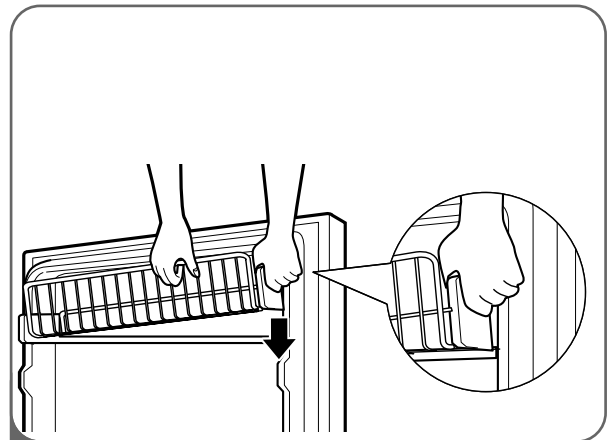


To separate the ice bin, pull out the drawer to full extension. Gently lift and pull out the ice bin. To reinstall, simply set the ice bin in its correct position.

#### Tilt-Out Door Basket



- 1 To remove the tilt-out door basket, press in on the end bracket, then pull up on the end of the basket to remove.



- 2 To replace the tilt-out door basket, insert the bracket into one side and hook one end of the basket into the bracket. Next, hook the other basket end into the other bracket and push the bracket downward into place.  
**NOTE:** Be sure the back of the basket is positioned behind the retention tab on each bracket.



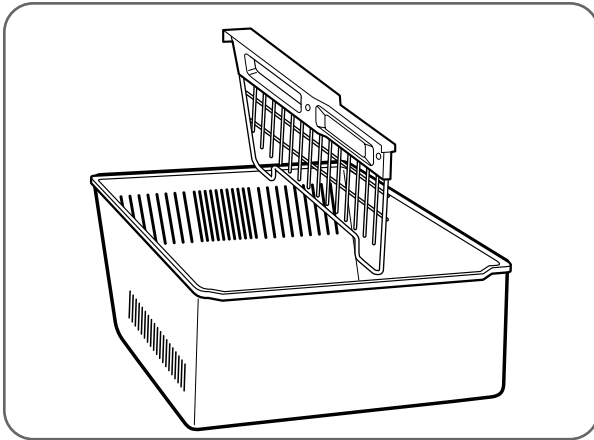
## REMOVING AND REPLACING COMPONENTS (CONT.)

### **⚠️ WARNING**

#### **Child Entrapment Hazard**

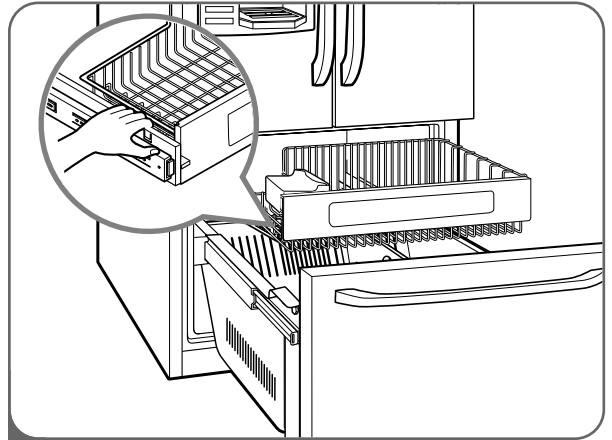
- When the divider of the freezer drawer is removed, children may crawl inside.

#### **DuraBase® Divider**

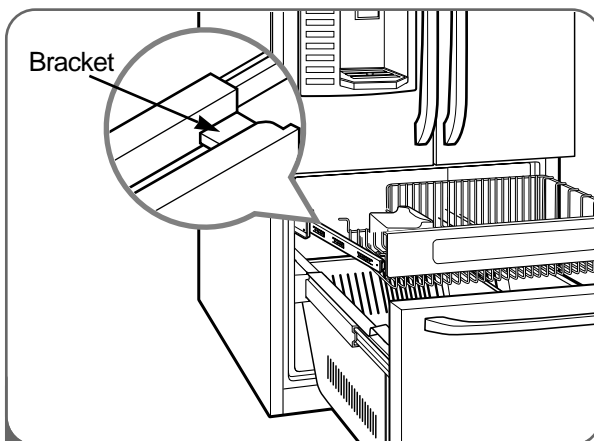


The DuraBase divider organizes the DuraBase area into sections. Pull the divider upward in a straight motion to remove it. To reinstall it, hook the top corners of the divider over the top edge of the DuraBase.

#### **Pull-Out Drawer**



- 1 To remove the drawer, push the tabs located on the front inside surface of each rail. Next, gently lift the rear left and right sides of the drawer and pull it out.



- 2 To reinstall, pull out both rails to full extension. Insert the end of rib in the bracket at left and right. Making sure that the guides at the front are lined up properly, gently push down on both sides.

# CARE AND CLEANING

## CLEANING THE REFRIGERATOR

### **⚠️ WARNING**

#### **Explosion Hazard**

- Use nonflammable cleaner.
- Failure to do so can result in death, explosion, or fire.

Both the refrigerator and freezer sections defrost automatically. However, clean both sections about once a month to prevent odors. Wipe up spills immediately.

- Unplug the refrigerator or disconnect the power.
- Remove all removable parts, such as shelves and crispers.
- Use a clean sponge or soft cloth and a mild detergent in warm water. Do not use abrasive or harsh cleaners.
- Hand wash, rinse, and thoroughly dry all surfaces.
- Plug in the refrigerator or reconnect the power.

**NOTE:** Window sprays, abrasive cleaners, or flammable fluids can scratch or damage plastic covers or panels.

### Cleaning the Exterior

For models with a stainless steel exterior, use a commercially available stainless steel cleaner in accordance with the manufacturer's instructions. You may also use a clean sponge or soft cloth and a mild detergent in warm water. Do not use abrasive or harsh cleaners. Dry thoroughly with a soft cloth.

**IMPORTANT:** Do not use cleaning waxes, concentrated detergents, or cleaners containing petroleum on plastic refrigerator parts such as door liners or gaskets.

### Care and Cleaning of the Interior

**NOTE:** Allow the freezer to warm so the cleaning cloth will not stick.

To help remove odors, you can wash the inside of the refrigerator with a mixture of baking soda and warm water. Mix 2 tbsp baking soda to 1 qt. of water (26 g soda to 1 L of water). Be sure the baking soda dissolves completely so it does not scratch the surfaces of the refrigerator.

**IMPORTANT:** Do not use a spray nozzle to clean the interior.

## GENERAL INFORMATION

### Storage

During average-length vacations, you will probably find it best to leave the refrigerator in operation. Place freezable items in the freezer for longer life.

When you plan to store the refrigerator, remove all food, disconnect the power cord, clean the interior thoroughly, and block the doors open to prevent mold and mildew. Be certain the stored refrigerator does not present a child entrapment danger.

### Moving

Unload the refrigerator to move it. (This is probably not necessary when pulling it out to clean behind it.) Be sure to let the refrigerator warm up to room temperature, and dry the inside before closing the doors to pack it for moving. To avoid damaging the height-adjusting screws, turn them all the way into the base.

### Power Failure

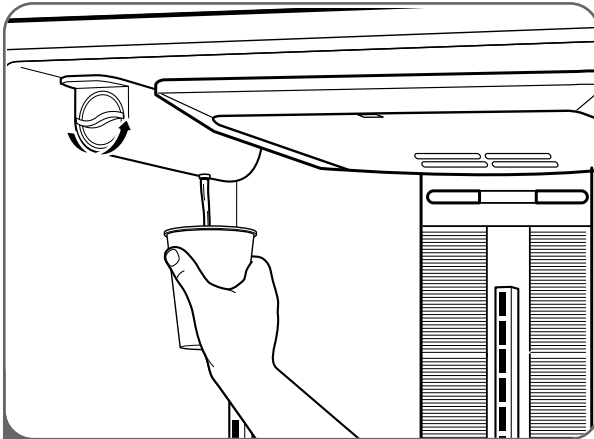
Most power failures that are corrected within an hour or two will not affect your refrigerator temperatures. However, you should minimize the number of door openings while the power is off.

Water may drip from the ice bank and ice bin during a power outage. To prevent this, remove the ice bank and ice bin, discard all of the ice, towel dry them, and replace them.

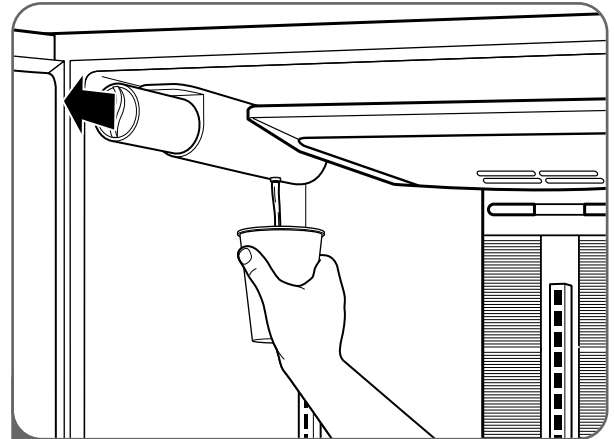
# CARE AND CLEANING

## REPLACING THE WATER FILTER

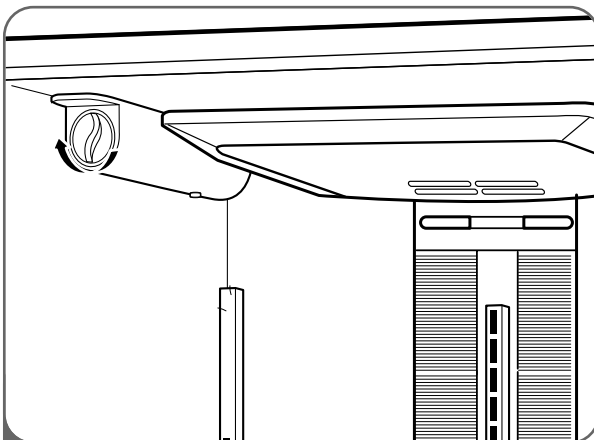
It is recommended that you replace the filter when the water filter indicator reaches 0 or the water dispenser or icemaker noticeably decreases production.



- 1 Rotate the knob of the old cartridge counterclockwise. When the cartridge is released, you will feel it click out of place.  
**NOTE:** Replacing the filter causes a small amount of water (around 1 oz. or 25 cc) to drain. Place a cup under the filter hole to contain it.



- 2 Remove the old cartridge. Take the new cartridge out of its packaging, and remove the protective cover from the o-rings. Hold the cartridge handle in its vertical position, and firmly push the new filter cartridge into place until it stops.



- 1 Use the handle to twist the cartridge clockwise about turn, until the handle is in a horizontal position. You will feel the filter click into place.  
**NOTE:** If the filter will not turn from side to side, it isn't fully inserted.

After replacing the filter, dispense 6 or 7 glasses of water from the water dispenser to purge the water system. Check the filter for leaks.

FILTER 8 HOLD 3 SECS MONTH

When the water filter indicator displays the message **0 Filter Month, Hold 3 Seconds**, reset the water filter status display and indicator light by pressing and holding the LIGHT/FILTER button for more than 8 seconds.

To purchase replacement water filter cartridges, visit your local appliance dealer or parts distributor. You can also visit our Web site: [www.lgappliances.com](http://www.lgappliances.com) or call 1-877-714-7486. The replacement water filter cartridge's part number is 5231JA2006A.

# TROUBLESHOOTING

## BEFORE CALLING FOR SERVICE

Before calling for service, review this list. It may save you both time and expense. This list includes common occurrences that are not the result of defective workmanship or materials in this appliance.

Problem	Possible Causes	Solutions
<b>Refrigerator compressor does not run.</b>	<ul style="list-style-type: none"> <li>• Refrigerator control is off.</li> <li>• Refrigerator is in defrost cycle.</li> <li>• Plug at the wall outlet is disconnected.</li> <li>• Power outage. Check house lights.</li> </ul>	<ul style="list-style-type: none"> <li>• Set the refrigerator control.</li> <li>• This is normal for a fully automatic defrosting refrigerator. The defrost cycle occurs periodically.</li> <li>• Make sure the plug is tightly pushed into the outlet.</li> <li>• Call the local electric company.</li> </ul>
<b>Refrigerator runs too frequently or too long.</b>	<ul style="list-style-type: none"> <li>• Refrigerator is larger than the previous one you owned.</li> <li>• The room or the outdoor weather is hot.</li> <li>• Refrigerator was recently disconnected for a while.</li> <li>• Large amounts of warm or hot food may have been stored recently.</li> <li>• Doors are opened too frequently or for too long.</li> <li>• Refrigerator or freezer door may be slightly open.</li> <li>• Refrigerator control is set too cold.</li> <li>• Refrigerator or freezer gasket is dirty, worn, cracked, or poorly fitted.</li> </ul>	<ul style="list-style-type: none"> <li>• This is normal. Larger, more efficient units run longer.</li> <li>• It is normal for the refrigerator to work longer under these conditions.</li> <li>• It takes a few hours for the refrigerator to reach cooling temperatures.</li> <li>• Warm food will cause the refrigerator to run longer until the desired temperature is reached.</li> <li>• Warm air entering the refrigerator causes it to run more. Open the door less often.</li> <li>• Make sure the refrigerator is level. Keep food and containers from blocking the door.</li> <li>• Adjust the refrigerator control to a warmer setting until the refrigerator temperature is satisfactory.</li> <li>• Clean or change the gasket. Leaks in the door seal will cause the refrigerator to run longer in order to maintain desired temperatures.</li> </ul>
<b>Refrigerator compressor cycles on and off.</b>	<ul style="list-style-type: none"> <li>• The thermostat is keeping the refrigerator at a constant temperature.</li> </ul>	<ul style="list-style-type: none"> <li>• This is normal. The refrigerator cycles on and off to keep the temperature constant.</li> </ul>
<b>Temperature in the freezer is too cold, but the refrigerator temperature is satisfactory.</b>	<ul style="list-style-type: none"> <li>• Freezer control is set too cold.</li> </ul>	<ul style="list-style-type: none"> <li>• Adjust the freezer control to a warmer setting until the freezer temperature is satisfactory.</li> </ul>
<b>Temperature in the refrigerator is too cold, but the freezer temperature is satisfactory.</b>	<ul style="list-style-type: none"> <li>• Refrigerator control is set too cold.</li> </ul>	<ul style="list-style-type: none"> <li>• Adjust the refrigerator control to a warmer setting.</li> </ul>

# TROUBLESHOOTING

## BEFORE CALLING FOR SERVICE (CONT.)

Problem	Possible Causes	Solutions
<b>Food stored in drawers freezes.</b>	<ul style="list-style-type: none"> <li>• Refrigerator control is set too cold.</li> </ul>	<ul style="list-style-type: none"> <li>• Adjust the refrigerator to a warmer setting.</li> </ul>
<b>Temperatures in the refrigerator or freezer are too warm.</b>	<ul style="list-style-type: none"> <li>• Freezer or refrigerator control is set too warm.</li> <li>• Doors are opened too frequently or for too long.</li> <li>• Door is slightly open.</li> <li>• Large amounts of warm or hot food may have been stored recently.</li> <li>• Refrigerator has recently been disconnected for a period of time.</li> </ul>	<ul style="list-style-type: none"> <li>• Adjust the freezer or refrigerator control to a colder setting until the freezer or refrigerator temperature is satisfactory.</li> <li>• Warm air enters the refrigerator/freezer whenever the door is opened. Open the door less often.</li> <li>• Close the door completely.</li> <li>• Wait until the refrigerator or freezer has had a chance to cool food to the set temperature.</li> <li>• It takes a few hours for the refrigerator to reach the set temperatures.</li> </ul>
<b>Temperature in the refrigerator is too warm, but the freezer temperature is satisfactory.</b>	<ul style="list-style-type: none"> <li>• Refrigerator control is set too warm.</li> </ul>	<ul style="list-style-type: none"> <li>• Adjust the refrigerator control to a colder setting.</li> </ul>
<b>Louder sound levels when compressor comes on.</b>	<ul style="list-style-type: none"> <li>• Refrigerator operates at higher pressures during the start of the ON cycle.</li> </ul>	<ul style="list-style-type: none"> <li>• This is normal.</li> </ul>
<b>Vibrating or rattling noise.</b>	<ul style="list-style-type: none"> <li>• Floor is uneven or weak. The refrigerator rocks on the floor when it is moved slightly.</li> <li>• Items placed on the top of the refrigerator are vibrating.</li> <li>• Dishes are vibrating on the shelves in the refrigerator.</li> <li>• The refrigerator is touching the wall or cabinets.</li> </ul>	<ul style="list-style-type: none"> <li>• Be sure floor is level and solid and can adequately support the refrigerator.</li> <li>• Remove items.</li> <li>• It is normal for dishes to vibrate slightly. Move dishes slightly. Make sure refrigerator is level and firmly set on floor.</li> <li>• Move the refrigerator so that it does not touch the wall.</li> </ul>
<b>Moisture collects on the inside walls of the refrigerator.</b>	<ul style="list-style-type: none"> <li>• The weather is hot and humid which increases the rate of frost buildup and internal sweating.</li> <li>• Door is slightly open.</li> <li>• Door is opened too often or for too long.</li> </ul>	<ul style="list-style-type: none"> <li>• This is normal.</li> <li>• Close the door.</li> <li>• Open the door less often.</li> </ul>
<b>Moisture forms on the outside of the refrigerator or between the doors.</b>	<ul style="list-style-type: none"> <li>• Weather is humid.</li> <li>• Door is slightly open.</li> </ul>	<ul style="list-style-type: none"> <li>• This is normal in humid weather. When humidity is lower, the moisture should disappear.</li> <li>• Close the door completely.</li> </ul>

# TROUBLESHOOTING

## BEFORE CALLING FOR SERVICE (CONT.)

Problem	Possible Causes	Solutions
<b>Moisture forms on the dispenser.</b>	<ul style="list-style-type: none"> <li>Moisture may form when the temperature or humidity are high.</li> </ul>	<ul style="list-style-type: none"> <li>Wipe off the moisture.</li> </ul>
<b>Odors in the refrigerator.</b>	<ul style="list-style-type: none"> <li>Interior needs to be cleaned.</li> <li>Food with strong odor is in the refrigerator.</li> <li>Some containers and wrapping materials produce odors.</li> </ul>	<ul style="list-style-type: none"> <li>Clean interior with sponge, warm water, and baking soda. Be sure the soda is completely dissolved so it will not act as an abrasive compound.</li> <li>Cover food completely.</li> <li>Use a different container or brand of wrapping materials.</li> </ul>
<b>The door(s) will not close.</b>	<ul style="list-style-type: none"> <li>Food package is keeping the door open.</li> <li>Door was closed too hard, causing other door to open slightly.</li> <li>Refrigerator is not level. It rocks on the floor when it is moved slightly.</li> <li>Floor is uneven or weak. The refrigerator rocks on the floor when it is moved slightly.</li> <li>Refrigerator is touching the wall or the cabinets.</li> </ul>	<ul style="list-style-type: none"> <li>Move the packages that keep the door from closing.</li> <li>Gently close both doors.</li> <li>Adjust the height-adjusting screw.</li> <li>Be sure the floor is level and can adequately support the refrigerator. Contact a carpenter to correct sagging or sloping floor.</li> <li>Move the refrigerator.</li> </ul>
<b>Drawers are difficult to move.</b>	<ul style="list-style-type: none"> <li>Food is touching the shelf on top of the drawer.</li> <li>The drawer track is dirty.</li> </ul>	<ul style="list-style-type: none"> <li>Keep less food in the drawer.</li> <li>Clean the drawer and the track.</li> </ul>
<b>The dispenser will not dispense water.</b>	<ul style="list-style-type: none"> <li>The household water-line valve is not open.</li> <li>The refrigerator or freezer door is not closed.</li> </ul>	<ul style="list-style-type: none"> <li>Open the household water-line valve.</li> <li>Be sure both doors are closed.</li> </ul>
<b>Water has an odd taste and/or odor.</b>	<ul style="list-style-type: none"> <li>The water has been in the tank for too long.</li> <li>The unit is not properly connected to cold water line.</li> </ul>	<ul style="list-style-type: none"> <li>Dispense and discard 7 glasses of water to freshen the supply. Dispense and discard an additional 7 glasses to completely rinse the tank.</li> <li>Connect the unit to a cold water line that supplies water to the kitchen faucet.</li> </ul>

# TROUBLESHOOTING

## BEFORE CALLING FOR SERVICE (CONT.)

Problem	Possible Causes	Solutions
<b>The dispenser will not dispense ice.</b>	<ul style="list-style-type: none"> <li>• The ice storage bin is empty.</li> <li>• The household water-line valve is not open.</li> <li>• The refrigerator or freezer door is not closed.</li> <li>• Ice has melted and frozen around the auger due to infrequent use, temperature fluctuations, and/or power outages.</li> <li>• Ice cubes are jammed between the icemaker arm and the back of the bin.</li> <li>• Ice cubes are frozen together.</li> <li>• Ice cubes that have been purchased or made in some other way have been used in the dispenser.</li> </ul>	<ul style="list-style-type: none"> <li>• When the first supply of ice is dropped into the bin, the dispenser should operate.</li> <li>• Open the household water line valve and allow sufficient time for ice to be made. When ice is made, the dispenser should operate.</li> <li>• Be sure both of the doors are closed.</li> <li>• Remove the ice storage bin and thaw the contents. Clean the bin, wipe it dry, and replace it in its proper position. When new ice is made, the dispenser should operate.</li> <li>• Remove the ice cubes that are jamming the dispenser.</li> <li>• Use the dispenser often to prevent the cubes from freezing together.</li> <li>• Only the ice cubes made by the icemaker should be used with the dispenser.</li> </ul>
<b>Sound of ice dropping.</b>	<ul style="list-style-type: none"> <li>• A batch of ice has been released into the ice bin.</li> </ul>	<ul style="list-style-type: none"> <li>• This sound is made when automatically made ice is dropped into the ice storage bin. The volume may vary according to the location of the refrigerator.</li> </ul>
<b>Sound of water trickling.</b>	<ul style="list-style-type: none"> <li>• The icemaker is being supplied with water.</li> </ul>	<ul style="list-style-type: none"> <li>• This sound is normally made when the icemaker is supplied with water after dropping the automatically made ice.</li> </ul>
<b>Other</b>	Please thoroughly read the Automatic Icemaker and Operating the Dispenser sections in this manual.	

# SPECIFICATIONS

## KEY DIMENSIONS AND SPECIFICATIONS

The appearance and specifications listed in this guide may vary due to constant product improvements.

<b>Bottom-Freezer Refrigerator Model LFX21980</b>	
<b>Description</b>	French Door Refrigerator
<b>Electrical Requirements</b>	115 VAC @ 60 Hz
<b>Max. Water Pressure</b>	21~121 PSI (1.5~8.5 kgf/cm <sup>2</sup> )
<b>Dimensions</b>	35 ¾" (W) X 30" (D) X 69 ¾" (H), 42 ¼" (D w/ door open) 908 mm (W) X 762 mm (D) X 1772 mm (H), 1073 mm (D w/ door open)
<b>Net Weight</b>	288 lb. (131 kg)
<b>Refrigerator Storage Capacity</b>	14.7 cu. ft.
<b>Freezer Storage Capacity</b>	5.8 cu. ft.

<b>Bottom-Freezer Refrigerator Model LFX25980</b>	
<b>Description</b>	French Door Refrigerator
<b>Electrical Requirements</b>	115 VAC @ 60 Hz
<b>Max. Water Pressure</b>	21~121 PSI (1.5~8.5 kgf/cm <sup>2</sup> )
<b>Dimensions</b>	35 ¾" (W) X 34 ¼" (D) X 69 ¾" (H), 46 ¼" (D w/ door open) 908 mm (W) X 870 mm (D) X 1772 mm (H), 1181 mm (D w/ door open)
<b>Net Weight</b>	324 lb. (147 kg)
<b>Refrigerator Storage Capacity</b>	17.6 cu. ft.
<b>Freezer Storage Capacity</b>	7.1 cu. ft.



# LG ELECTRONICS, INC.

## LG BOTTOM-FREEZER REFRIGERATOR LIMITED WARRANTY – USA



Your LG Refrigerator will be repaired or replaced, at LG's option, if it proves to be defective in material or workmanship under normal use, during the warranty period ("Warranty Period") set forth below, effective from the date ("Date of Purchase") of original consumer purchase of the product. This warranty is good only to the original purchaser of the product and effective only when used in the United States, including Alaska, Hawaii, and U.S. Territories.

<p><b>WARRANTY PERIOD:</b>  <b>REFRIGERATOR/FREEZER</b>  <b>LABOR: One Year</b> from the Date of Purchase.  <b>PARTS: One Year</b> from the Date of Purchase.  <b>SEALED SYSTEM</b>          (Compressor, Condensor, and Evaporator)  <b>LABOR: One Year</b> from the Date of Purchase.  <b>PARTS: Seven Years</b> from the Date of Purchase.          Replacement Units and Repair Parts are warranted for the remaining portion of the original unit's warranty period.</p>	<p><b>HOW SERVICE IS HANDLED:</b>  <b>In-Home Service :</b>          Please retain dealer's dated bill of sale or delivery ticket as evidence of the Date of Purchase for proof of warranty, and submit a copy of the bill of sale to the service person at the time warranty service is provided.  <b>Please call 1-800-243-0000 and choose the appropriate option to locate your nearest LG Authorized Service Center.</b>          Or visit our website at <a href="http://www.lgservice.com">www.lgservice.com</a></p>
---	--

**THIS WARRANTY IS IN LIEU OF ANY OTHER WARRANTY, EXPRESS OR IMPLIED, INCLUDING WITHOUT LIMITATION, ANY WARRANTY OF MERCHANTABILITY OR FITNESS FOR A PARTICULAR PURPOSE. TO THE EXTENT ANY IMPLIED WARRANTY IS REQUIRED BY LAW, IT IS LIMITED IN DURATION TO THE EXPRESS WARRANTY PERIOD ABOVE. NEITHER THE MANUFACTURER NOR ITS U.S. DISTRIBUTOR SHALL BE LIABLE FOR ANY INCIDENTAL, CONSEQUENTIAL, INDIRECT, SPECIAL, OR PUNITIVE DAMAGES OF ANY NATURE, INCLUDING WITHOUT LIMITATION, LOST REVENUES OR PROFITS, OR ANY OTHER DAMAGE WHETHER BASED IN CONTRACT, TORT, OR OTHERWISE.** Some states do not allow the exclusion or limitation of incidental or consequential damages or limitations on how long an implied warranty lasts, so the above exclusion or limitation may not apply to you. This warranty gives you specific legal rights and you may also have other rights that vary from state to state.

**THIS LIMITED WARRANTY DOES NOT APPLY TO:**

- Service trips to your home to deliver, pick up, and/or install the product, instruct, or replace house fuses or correct wiring, or correction of unauthorized repairs.
- Damages or operating problems that result from misuse, abuse, operation outside environmental specifications or contrary to the requirements of precautions in the Operating Guide, accident, vermin, fire, flood, improper installation, acts of God, unauthorized modification or alteration, incorrect electrical current or voltage, or commercial use, or use for other than intended purpose.
- Repairs when your LG refrigerator is used in other than normal, single-family household use.

The cost of repair or replacement under these excluded circumstances shall be borne by the consumer.

**CUSTOMER INTERACTIVE CENTER NUMBERS**

<p><b>To obtain Customer Assistance, Product Information, or Dealer or Authorized Service Center location:</b></p>	<p><b>Call 1-800-243-0000</b> (24 hours a day, 365 days a year) and select the appropriate option from the menu.          Or visit our Web site at <a href="http://www.lgservice.com">www.lgservice.com</a>.</p>
--	--

**TO CONTACT LG ELECTRONICS BY MAIL:**

LG Customer Interactive Center  
 P. O. Box 240007  
 201 James Record Road  
 Huntsville, Alabama 35824  
 ATTN: CIC

***Product Registration Information***

**Model:** \_\_\_\_\_

**Serial Number:** \_\_\_\_\_

**Date of Purchase:** \_\_\_\_\_

The model and serial number can be located on the inner case or back of the refrigerator compartment.

# LG ELECTRONICS, INC.

## LG BOTTOM-FREEZER REFRIGERATOR LIMITED WARRANTY – CANADA



LG Electronics will repair or at its option replace, without charge, your product which proves to be defective in material or workmanship under normal use, during the warranty period listed below from the date of original purchase. **This warranty is good only to the original purchaser of the product during the warranty period as long as it is in any Canadian Province.**

<p><b>WARRANTY PERIOD:</b>  <b>REFRIGERATOR/FREEZER</b>  <b>LABOR: One Year</b> from the Date of Purchase.  <b>PARTS: One Year</b> from the Date of Purchase.  <b>SEALED SYSTEM</b>          (Compressor, Condensor, and Evaporator)  <b>LABOR: Seven Years</b> from the Date of Purchase.  <b>PARTS: Seven Years</b> from the Date of Purchase.</p>	<p><b>HOW SERVICE IS HANDLED:</b>          Call <b>1-888-542-2623 (1-888-LG-CANADA)</b> and choose the appropriate prompt. Please have product type (refrigerator) and Postal Code ready.          See our Web site at <b>www.lg.ca</b>          This warranty provides in-home service.  <b>NOTE:</b> To prove warranty covers, retain your Sales Receipt to prove date of purchase. A copy of your Sales Receipt must be submitted at the time warranty service is provided.</p>
--	--

No other express warranty is applicable to this product. THE DURATION OF ANY IMPLIED WARRANTIES, INCLUDING THE IMPLIED WARRANTY OF MERCHANTABILITY, IS LIMITED TO THE DURATION OF THE EXPRESS WARRANTY HEREIN. LG ELECTRONICS USA, INC. SHALL NOT BE LIABLE FOR THE LOSS OF THE USE OF THE PRODUCT, INCONVENIENCE, LOSS OR ANY OTHER DAMAGES, DIRECT OR CONSEQUENTIAL, ARISING OUT OF THE USE OF, OR INABILITY TO USE, THIS PRODUCT OR FOR ANY BREACH OF ANY EXPRESS OR IMPLIED WARRANTY, INCLUDING THE IMPLIED WARRANTY OF MERCHANTABILITY APPLICABLE TO THIS PRODUCT. Some provinces do not allow the exclusion or limitation of incidental or consequential damages or limitations on how long an implied warranty lasts; so these limitations or exclusions may not apply to you. This warranty gives you specific legal rights and you may also have other rights which vary from province to province.

**THE ABOVE WARRANTY DOES NOT APPLY TO:**

- Service trips to your home to deliver and pick up, install, instruct, or replace house fuses or correct wiring, plumbing, or correction of unauthorized repairs.
- Damage to the product caused by accident, vermin, fire, flood, alteration, misuse, abuse, improper installation, or acts of God.
- Commercial use or use for other than the intended purpose.

Therefore, these costs are the responsibility of the consumer.

**CUSTOMER ASSISTANCE NUMBERS**

<p>To obtain Customer Assistance, Product Information, or Dealer or Authorized Service Center location:</p>	<p>Call <b>1-888-542-2623 (1-888-LG-CANADA)</b> and choose the appropriate prompt. Please have your product type (refrigerator) and Postal Code ready.          Or visit our Web site at <b>www.lg.ca</b>.</p>
---	--

**TO CONTACT LG ELECTRONICS BY MAIL:**

LG Customer Interactive Center  
 P. O. Box 240007  
 201 James Record Road  
 Huntsville, Alabama 35824  
 ATTN: CIC

***Product Registration Information***

**Model:** \_\_\_\_\_

**Serial Number:** \_\_\_\_\_

**Date of Purchase:** \_\_\_\_\_

The model and serial number can be located on the inner case or back of the refrigerator compartment.



# NOTES

---



# INTRODUCTION

## ICONSIGNES DE SÉCURITÉ IMPORTANTES

Mesures de sécurité fondamentales .....	47
Élimination des CFC .....	48
Raccordement à l'alimentation électrique .....	49

## COMPOSANTS ET FONCTIONS

Fonctions spéciales .....	50
Pièces et composants principaux .....	51

## INSTALLATION

Choisir l'emplacement approprié .....	52
Dégagements .....	52
Revêtement de sol .....	53
Enlèvement des poignées .....	53
Enlèvement des portes et du tiroir .....	54
Raccordement à l'alimentation d'eau .....	60
Raccordement des conduites d'eau .....	60
Mise à niveau des portes du réfrigérateur .....	62
Démarrage .....	63

## UTILISATION DU RÉFRIGÉRATEUR

Fonctions du panneau de commande .....	64
L'afficheur ACL/DEL .....	65
Réglage des températures et de l'affichage .....	66
Fonctionnement du distributeur .....	67
Réglage des fonctions .....	68
Récipient d'accumulation de glace .....	69
Machine à glaçons automatique .....	70
Commande d'humidité du bac à légumes OptiBin™ .....	71
Conservation des aliments .....	71
Rangement des aliments .....	72
Réglage de la hauteur des clayettes .....	73

## ENTRETIEN ET NETTOYAGE

Enlèvement et remise en place des composants .....	74
Nettoyage du réfrigérateur .....	78
Renseignements généraux .....	78
Remplacement du filtre à eau .....	79

## DÉPANNAGE

Avant de faire un appel de service .....	80
--	----

## CARACTÉRISTIQUES TECHNIQUES

Dimensions et caractéristiques principales .....	84
--	----

## GARANTIE

Enregistrement du produit .....	85
---------------------------------	----


## MERCI!

Félicitations pour votre achat et bienvenue dans la famille LG. Votre nouveau réfrigérateur à congélateur au bas LG conjugue technologie de réfrigération d'avant-garde avec facilité d'utilisation et efficacité énergétique. En observant les directives d'utilisation et d'entretien de ce guide, votre réfrigérateur fonctionnera pendant de nombreuses années sans problèmes.

# CONSIGNES DE SÉCURITÉ IMPORTANTES

## MESURES DE SÉCURITÉ FONDAMENTALES

**Ce manuel contient plusieurs messages de sécurité importants. Lisez ces messages de sécurité et observez-les en tout temps.**

 Ceci est un symbole d'avis de sécurité. Le message de sécurité qu'il signale vous renseigne sur un risque pouvant entraîner la mort, des blessures corporelles ou l'endommagement du produit. Tous les messages de sécurité sont précédés de ce symbole et des mots DANGER, AVERTISSEMENT, ou MISE EN GARDE. La signification de ces mots est la suivante :

### **DANGER**

Vous **perdrez** la vie ou serez sévèrement blessé si vous n'observez pas les instructions.

### **AVERTISSEMENT**

Vous **pouvez** perdre la vie ou être sévèrement blessé si vous n'observez pas les instructions.

### **MISE EN GARDE**

Signale une situation à risques imminente qui **peut** entraîner, si elle n'est pas évitée, des blessures corporelles mineures ou modérées, ou seulement l'endommagement du produit.

Tous les messages de sécurité identifient les risques, indiquent la façon de les réduire, et décrivent les conséquences susceptibles de se produire si l'on ne se conforme pas aux instructions.

## **AVERTISSEMENT**

**Afin de réduire les risques d'incendie, d'électrocution, ou de blessures lors de l'utilisation du produit, des mesures de sécurité fondamentales doivent être prises, y compris celles qui suivent.**

**Lisez toutes les instructions avant d'utiliser cet appareil.**

- Ne débranchez jamais le réfrigérateur en tirant sur le cordon d'alimentation. Saisissez toujours la fiche fermement et retirez-la de la prise en droite ligne.
- Réparez ou remplacez immédiatement les cordons électriques effilochés ou autrement endommagés. N'utilisez pas un cordon qui montre des signes de craquelures ou d'abrasion, que ce soit sur sa longueur, sa fiche ou une autre extrémité.
- Veillez à ne pas endommager le cordon lorsque vous éloignez le réfrigérateur du mur.
- Ne rangez ni n'utilisez d'essence ou autres vapeurs ou liquides inflammables à proximité de cet appareil ou de n'importe quel autre appareil.
- Ne permettez pas aux enfants de grimper, se pendre, ou se tenir sur les portes ou les clayettes du réfrigérateur. Ils risqueraient d'endommager celui-ci ou de se blesser sérieusement.
- Gardez vos doigts à l'écart des zones de coincement, l'espace entre les portes et la carrosserie étant nécessairement restreint. Fermez les portes avec précaution lorsque des enfants se trouvent à proximité.

- Débranchez le réfrigérateur avant de procéder au nettoyage ou à toute réparation.  
**REMARQUE** : Les réparations doivent être effectuées par un technicien agréé.
- Avant de remplacer une ampoule grillée, débranchez le réfrigérateur ou coupez l'alimentation au niveau du disjoncteur ou de la boîte de fusible afin d'éviter tout contact avec un fil sous tension. (Une ampoule grillée peut se briser lors de son remplacement.)  
**REMARQUE** : Le fait de mettre les deux ou l'une des commandes à la position OFF (Arrêt) ne coupe pas l'alimentation du circuit de la lumière.
- Ce réfrigérateur doit être installé conformément aux instructions de l'avis à l'installateur (collé sur le devant du réfrigérateur).
- Lorsque le réfrigérateur est en marche, ne touchez pas aux surfaces froides du compartiment congélation si vos mains sont moites ou mouillées. La peau risque d'adhérer aux surfaces très froides.
- Évitez de toucher à l'élément chauffant ou aux pièces mobiles du mécanisme d'éjection de la machine à glaçons d'un réfrigérateur qui en est équipé. Ne mettez PAS les doigts ou les mains dans la machine à glaçons automatique si le réfrigérateur est branché.
- **Ne modifiez ni n'allongez le cordon électrique.** Une électrocution ou un incendie en résulterait.

# CONSIGNES DE SÉCURITÉ IMPORTANTES

## MESURES DE SÉCURITÉ FONDAMENTALES (SUITE)

- Ne congelez pas de nouveau les aliments qui se sont complètement décongelés. Le Ministère de l'Agriculture des États-Unis stipule dans son bulletin Home and Garden n o 69 :  
...Vous pouvez, en toute sécurité, congeler de nouveau des aliments décongelés s'ils contiennent encore des cristaux de glace ou sont encore froids—au-dessous de 40°F (4°C).  
...La viande hachée, la volaille, ou le poisson décongelés ayant une odeur ou une couleur anormales ne doivent être ni recongelés ni mangés. La crème glacée fondue doit être jetée.

Débarrassez-vous de tout aliment dont l'odeur ou la couleur est mauvaise ou douteuse. Il pourrait être dangereux de manger de tels aliments.

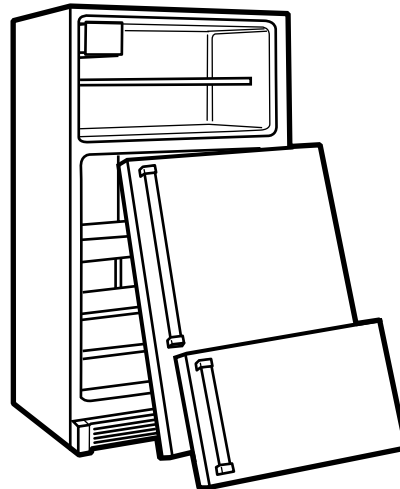
Même la décongélation partielle et la recongélation réduisent la qualité des aliments, en particulier celle des fruits, des légumes, et des plats préparés. La qualité des viandes rouges est moins affectée que celle de la plupart des autres aliments. Utilisez les aliments recongelés dès que possible pour une préservation optimale de leur qualité.

## **▲ DANGER**

### Risque de piégeage des enfants

Les réfrigérateurs au rebut ou abandonnés, même pendant une courte période, sont dangereux pour les enfants. Si vous vous départissez de votre vieux réfrigérateur, veuillez suivre les instructions ci-dessous afin de prévenir les accidents :  
Avant de jeter votre vieux réfrigérateur ou congélateur :

- Enlevez les portes.
- Laissez les clayettes en place de sorte que les enfants ne puissent entrer facilement à l'intérieur.



## ÉLIMINATION DES CFC

Votre vieux réfrigérateur est peut-être équipé d'un système de refroidissement qui contient des CFC (chlorofluorocarbures). Or ceux-ci sont considérés comme dommageables pour la couche d'ozone.

Si vous jetez votre vieux réfrigérateur, assurez-vous qu'un technicien qualifié mettra correctement au rebut le frigorigène qui contient des CFC. Si vous libérez intentionnellement ce frigorigène dans l'atmosphère, vous encourez une amende ou l'emprisonnement en vertu des lois sur l'environnement.



# CONSIGNES DE SÉCURITÉ IMPORTANTES

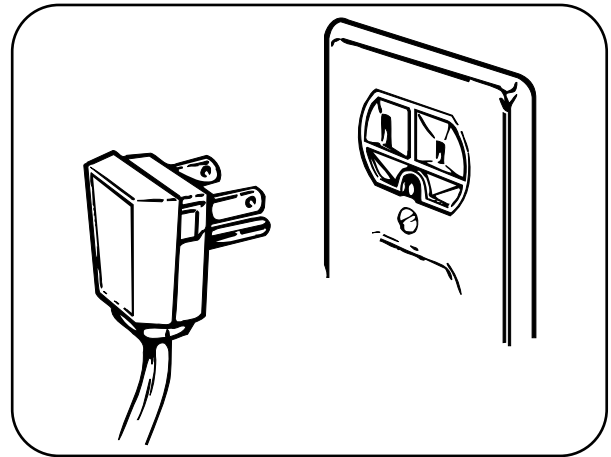
## RACCORDEMENT À L'ALIMENTATION ÉLECTRIQUE

**IMPORTANT** : Veuillez lire cette section attentivement.

### **⚠️ AVERTISSEMENT**

#### **Risque d'électrocution**

**Pour la sécurité des personnes, cet appareil doit être correctement mis à la terre. Demandez à un électricien agréé de vérifier l'exactitude de la mise à la terre de la prise murale et du circuit.**



#### **MÉTHODE DE MISE À LA TERRE RECOMMANDÉE**

Le réfrigérateur doit toujours être branché dans une prise électrique dédiée et correctement mise à la terre, classée pour une alimentation de 115 V, 60 Hz, uniquement à c.a. et munie d'un fusible de 15 ou 20 ampères. Ces caractéristiques procurent le meilleur rendement et préviennent la surcharge du circuit de câblage domestique qui peut entraîner un risque d'incendie. Il est recommandé d'affecter un circuit particulier à l'alimentation de cet appareil.

Utilisez une prise de courant dont la mise hors tension par un interrupteur ou une chaîne est impossible. N'utilisez pas de cordon rallonge. Si vous êtes en présence d'une prise de courant bipolaire standard (deux trous), vous avez la responsabilité et l'obligation de la faire remplacer par une prise tripolaire (trois trous) correctement mise à la terre.

**En aucun cas vous ne devez couper ou enlever la troisième broche (mise à la terre) de la fiche du cordon.**

**N'utilisez pas une fiche adaptatrice.**

**REMARQUE** : Avant de procéder à quelque installation, nettoyage, ou remplacement d'ampoule que ce soit, vous devez tourner la commande (thermostat, commande du réfrigérateur, ou du congélateur, selon le modèle) à OFF (Arrêt), puis débrancher le réfrigérateur de la prise électrique. Quand vous avez terminé, rebranchez le réfrigérateur dans la prise électrique et remettez la commande (thermostat, commande du réfrigérateur, ou du congélateur, selon le modèle) au réglage voulu.

#### **UTILISATION DE CORDONS RALLONGES**

**Étant donné les risques potentiels pour la sécurité, nous recommandons vivement de ne pas utiliser un cordon rallonge.** Si vous tenez cependant à en utiliser un, le cordon rallonge doit absolument être doté des caractéristiques suivantes : trifilaire, certifié UL (États-Unis), classé 15 ampères minimum pour 120V, avec fiche et prise murale mises à la terre.

L'utilisation d'un cordon rallonge augmentera l'espace libre requis à l'arrière du réfrigérateur.

## CONSERVEZ CES INSTRUCTIONS

# COMPOSANTS ET FONCTIONS

## FONCTIONS SPÉCIALES

### 1 AFFICHEUR DCL DU PANNEAU DE COMMANDE

Les commandes électroniques simples sont conviviales. L'afficheur ACL indique les températures du réfrigérateur et du congélateur, affiche l'état du filtre à eau, des données sur le distributeur et d'autres renseignements.

### 2 ICE PLUS (GLACE PLUS)

Quand ce dispositif est activé, la section congélateur fonctionnera à la température la plus froide pendant une période de 24 heures pour augmenter la production de glace d'environ 20 pour cent.

### 3 DISTRIBUTEURS D'EAU FILTRÉE ET DE GLAÇONS

Le distributeur d'eau achemine de l'eau fraîche, froide et filtrée à travers la porte pour procurer un rafraîchissement rapide. Le distributeur de glaçons fournit de la glace en cubes ou broyée.

### 4 ALARME DE PORTE

Une signal d'alarme se fait entendre à toutes les 30 secondes lorsque la porte du réfrigérateur ou du congélateur reste ouverte pendant plus de 60 secondes.

### 5 RÉCIPIENT À GLACE DANS LA CONTRE-PORTE

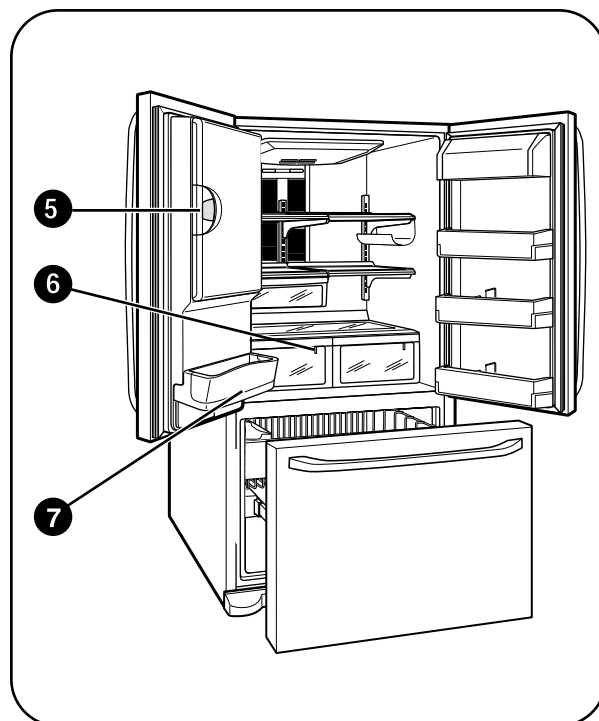
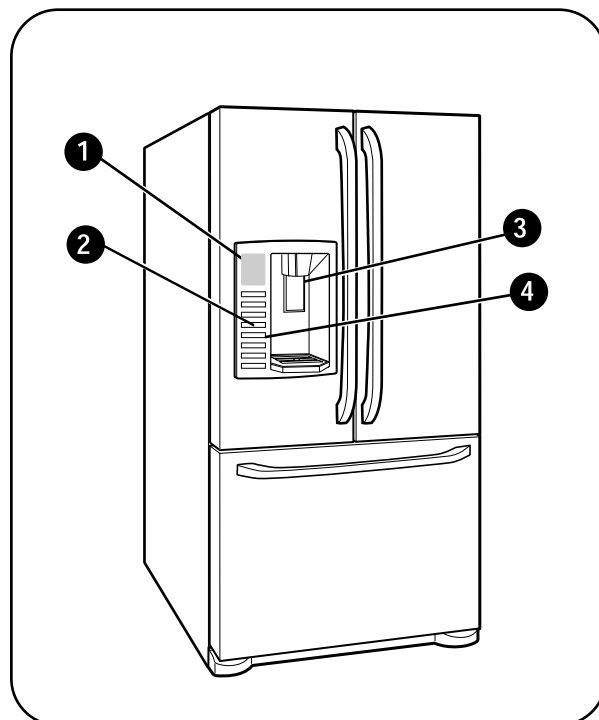
La machine à glaçons automatique produit de 100 à 130 glaçons sur une période de 24 heures afin de maintenir le distributeur de glace à pleine capacité. Le design de la contre-porte libère de l'espace pour les clayettes.

### 6 BAC À LÉGUMES OPTIBIN™

Les bacs à légumes LG's OptiBin™ préservent de l'humidité et aident à conserver les légumes sèches.

### 7 CHARNIÈRE DE FERMETURE AUTOMATIQUE

Un système de refroidissement performant maintient des températures optimales tout en surpassant les normes fédérales en matière d'économie d'énergie.



# COMPOSANTS ET FONCTIONS

## PIÈCES ET COMPOSANTS PRINCIPAUX

En plus des fonctions et composants spéciaux décrits dans la section Fonctions spéciales, de nombreux autres composants importants sont mentionnés dans ce guide.

### 1 RAYONNAGE DU REFRIGERATEUR AJUSTABLE

Les clayettes du compartiment réfrigérateur sont réglables pour permettre un rangement polyvalent.

### 2 PORTE-BOUTEILLES

Vous pouvez arranger trois bacs interchangeables pour satisfaire vos besoins de stockage.

### 3 BALCONNETS MODULAIRES

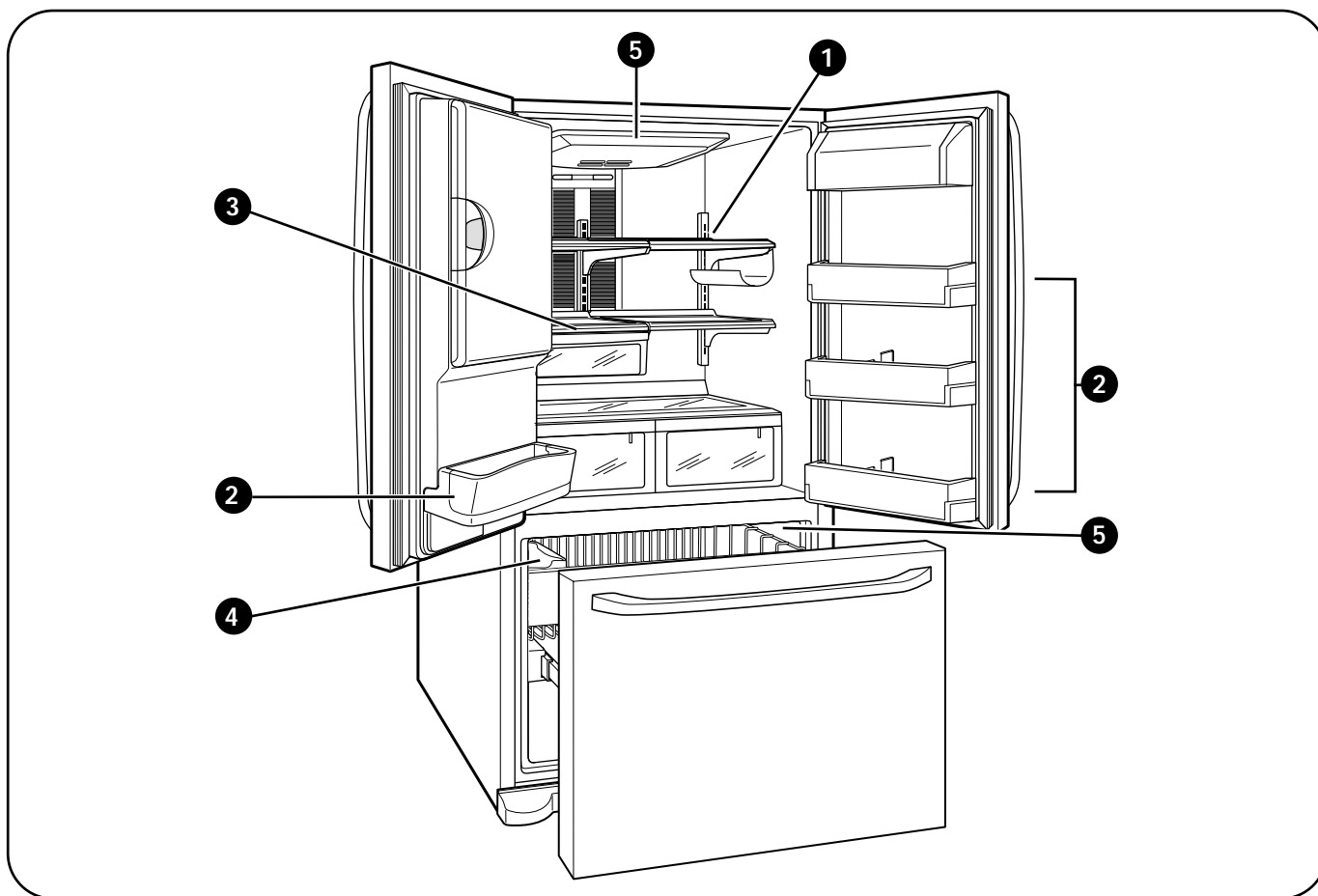
Quatre bacs interchangeables peuvent être configurés selon vos besoins.

### 4 BAC À COLLATIONS

Le bac à collations est idéal pour ranger le pain, les viandes froides, et les grignotines.

### 5 ÉCLAIRAGE INTÉRIEUR

Deux lampes distinctes éclairent l'intérieur du congélateur et du réfrigérateur.



# INSTALLATION

## CHOISIR L'EMPLACEMENT APPROPRIÉ

### **⚠️ AVERTISSEMENT**

#### **Risque de poids excessif**

**Au moins deux personnes sont nécessaires pour déplacer et déballer l'appareil.**

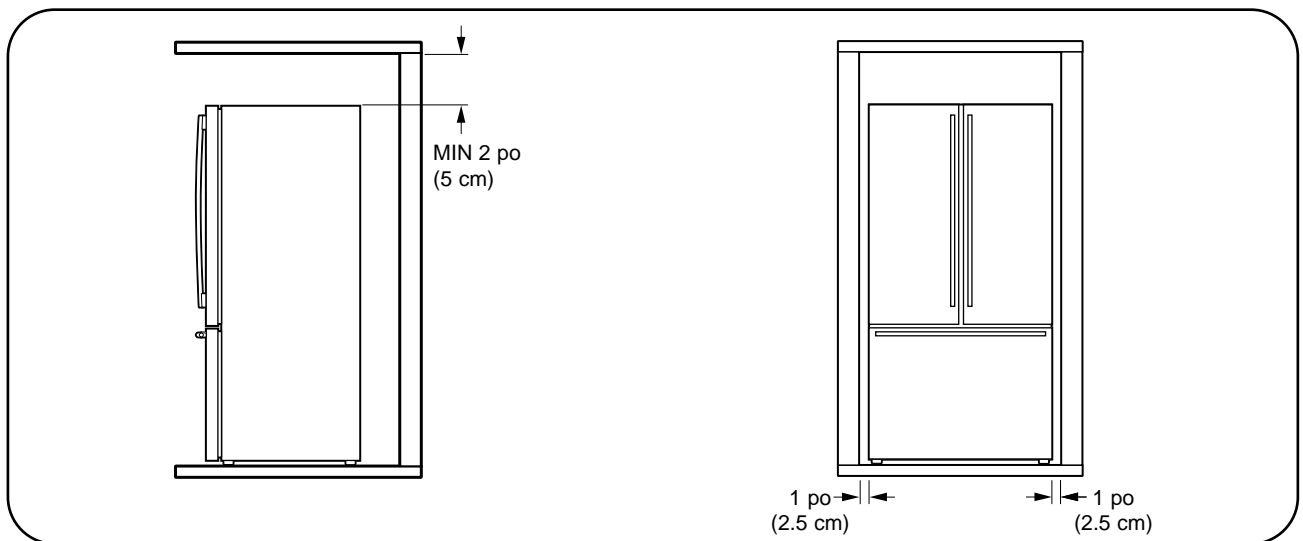
- Rangez et installez le réfrigérateur dans un endroit où il ne sera pas exposé aux intempéries ou à des températures sous le point de congélation.
- Installez cet appareil dans un endroit où la température se maintient entre 55°F (13°C) et 110°F (43°C). Si la température autour de l'appareil est trop basse ou trop élevée, la capacité de congélation peut être compromise.
- Si le réfrigérateur est installé dans un endroit où la température s'élève au-dessus de 110°F (43°C), la capacité de congélation sera compromise et les coûts d'électricité augmenteront.

- Pour réduire le risque d'électrocution, n'installez pas le réfrigérateur dans un endroit mouillé ou humide.
- Choisissez un endroit où il est facile de raccorder la machine à glaçons et le distributeur à l'alimentation en eau.
- Une installation instable peut engendrer des vibrations et du bruit. Si le plancher n'est pas nivelé, nivelez le réfrigérateur en tournant les vis d'ajustement de hauteur.
- Mettez le réfrigérateur à la terre conformément aux codes et règlements en vigueur.

### **⚠️ MISE EN GARDE**

**N'installez pas votre réfrigérateur en proximité des sources de chaleur, en la lumière du soleil, ou de humidité.**

## DÉGAGEMENTS



Un dégagement d'au moins 2 po (5 cm) par rapport au plafond et de 1 po (2,5 cm) par rapport aux murs latéraux est nécessaire pour faciliter le refroidissement et l'installation, assurer une circulation d'air adéquate, et ne pas comprimer les connexions électriques.

N'oubliez pas que les moulures de mur, porte, ou plancher sont susceptibles de s'ajouter aux dégagements requis.

- Une distance trop courte par rapport aux objets adjacents peut réduire la capacité de congélation et augmenter les frais de consommation d'électricité.

Laissez au moins 24 po (61 cm) devant le réfrigérateur pour ouvrir les portes.

## REVÊTEMENT DE SOL

- Pour réduire le bruit et les vibrations au minimum, le réfrigérateur DOIT reposer sur un plancher solidement construit.
- Pour éviter les vibrations, l'appareil doit être de niveau. Au besoin, réglez les pattes de nivellement pour compenser les inégalités du plancher. Le devant doit être légèrement plus haut que l'arrière pour faciliter la fermeture des portes. Les pattes de nivellement peuvent se visser plus facilement si l'on penche un peu l'appareil. Vissez les pattes dans le sens horaire pour remonter l'appareil et dans le sens antihoraire pour l'abaisser.

- Un revêtement de tapis ou de tuiles souples n'est pas recommandé.
- N'installez jamais le réfrigérateur sur une plateforme ou une structure faiblement soutenue.

**REMARQUE :** Assurez-vous de protéger le plancher lorsque vous déplacez le réfrigérateur pour le nettoyage ou une réparation. Tirez toujours sur le réfrigérateur en ligne droite pour le déplacer. Évitez de le branler ou le faire pivoter pour éviter d'endommager le plancher.

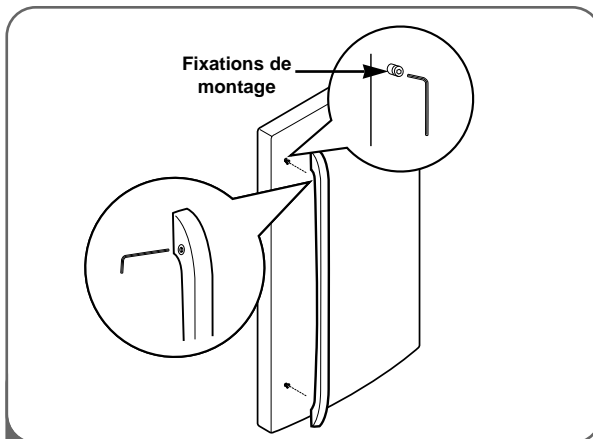
## ENLÈVEMENT DES POIGNÉES

Pour déplacer le réfrigérateur à travers l'embrasure d'une porte, il peut s'avérer nécessaire d'enlever les poignées des portes du réfrigérateur.

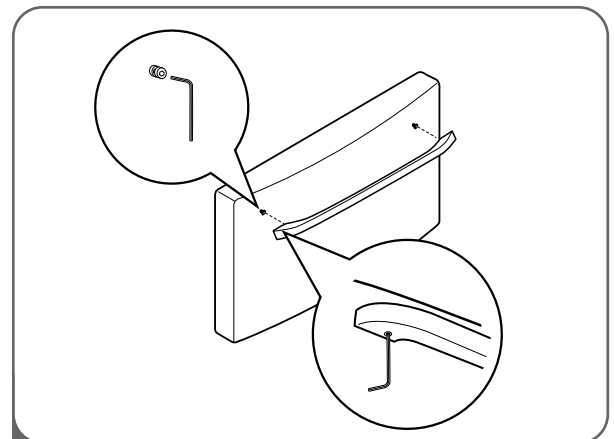
**REMARQUE :** L'aspect des poignées peut différer des illustrations de cette page.

## ⚠ MISE EN GARDE

- Enlevez les poignées avec précaution pour éviter d'égratigner les portes.
- Vous risquez d'endommager la poignée si vous la frappez avec un marteau lors de son enlèvement ou de sa fixation.
- En enlevant ou fixant la poignée, tirez ou poussez avec une force raisonnable.



- 1 Desserrez les vis de l'ensemble à l'aide d'une clé Allen de 3/32 po. et enlevez la poignée.  
**NOTE:** Si vous devez resserrer ou enlever les fixations de montage de la poignée, utilisez la clé Allen de 1/4 po.

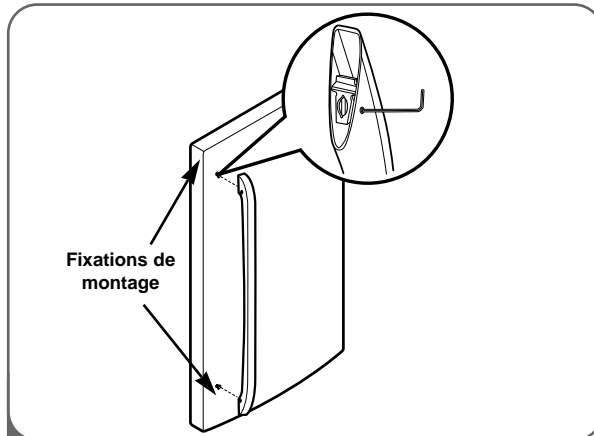


- 2 Desserrez les vis de l'ensemble situées en bas de la poignée à l'aide de la clé Allen de 3/32 po. et enlevez la poignée.  
**NOTE:** Si vous devez resserrer ou enlever les fixations de montage de la poignée, utilisez la clé Allen de 1/4 po.

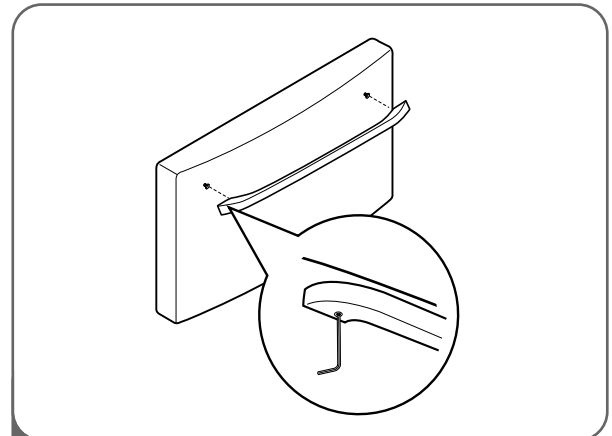
# INSTALLATION

## ENLÈVEMENT DES POIGNÉES (SUITE)

### RÉINSTALLATION DES POIGNÉES



- 1 Fixez la poignée aux fixations de montage de la poignée et resserrez les vis de l'ensemble à l'aide d'une clé Allen de 3/32 po.  
**NOTE:** Si vous devez resserrer ou enlever les fixations de montage de la poignée, utilisez la clé Allen de 1/4 po.



- 2 Fixez bien la poignée aux fixations de montage de la poignée et resserrez les vis de l'ensemble situées en bas de la poignée à l'aide d'une clé Allen de 3/32 po.  
**NOTE:** Si vous devez resserrer ou enlever les fixations de montage de la poignée, utilisez la clé Allen de 1/4 po.

## ENLÈVEMENT DES PORTES ET DU TIROIR

### ENLÈVEMENT DES PORTES

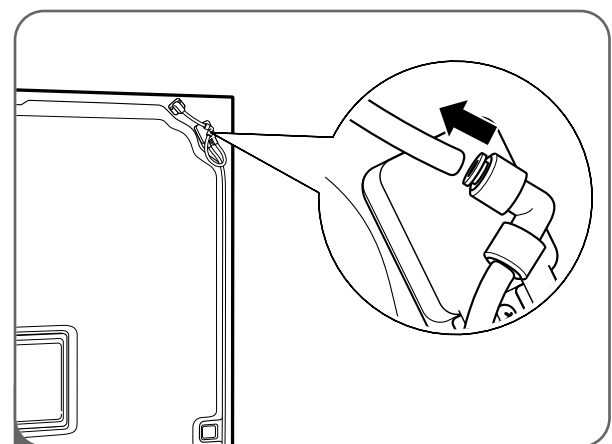
## ⚠ AVERTISSEMENT

### Risque d'électrocution

- Débranchez l'alimentation électrique du réfrigérateur avant de commencer l'installation. L'omission de respecter cette directive peut entraîner le décès ou des blessures sévères.
- Ne mettez pas les mains, les pieds, ou des tiges métalliques dans les événements, la grille basale, ou la partie inférieure du réfrigérateur. Vous pourriez vous blesser ou être électrocuté.
- Soyez prudent lorsque vous travaillez avec la charnière, la grille basale, ou la butée. Vous pourriez vous blesser.

Si votre porte d'entrée est trop étroite pour laisser passer le réfrigérateur, enlevez la porte du réfrigérateur, puis faites passer le réfrigérateur sur le côté dans l'embrasure.

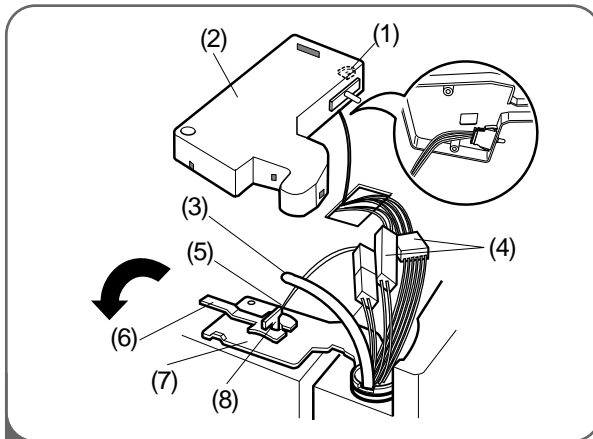
Avant de commencer, retirez les aliments et les bacs des contre-portes.



- 1 **Pour enlever la porte de réfrigérateur gauche :**  
Sortez le tube du raccord tout en pressant l'anneau de dégagement sur le raccord.

## ENLÈVEMENT DES PORTES ET DU TIROIR (SUITE)

### ENLÈVEMENT DES PORTES (suite)



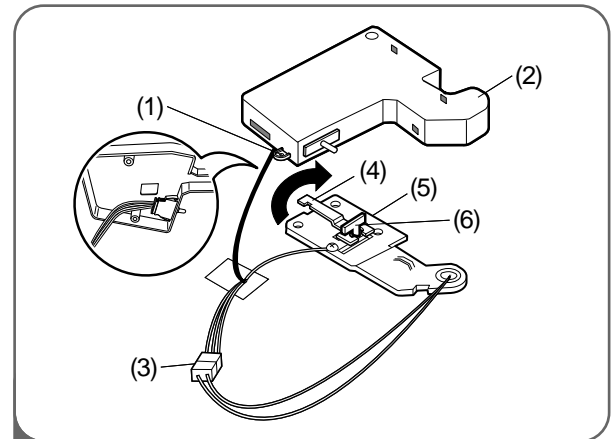
- 2
- Ouvrez la porte. Enlevez la vis supérieure de couverture de charnière (1).
  - Utilisez un tournevis à lame plate pour dégager les crochets (non illustrés) sur le devant de la face inférieure du couvercle (2). Soulevez le couvercle.
  - Débranchez retirez le couvercle. Dégagez le tube (3).
  - Débranchez tous les faisceaux de fils (4).
  - Retirez la vis de mise à la terre (5).
  - Tournez le levier de charnière (6) dans le sens antihoraire et enlevez-le. Soulevez la charnière supérieure (7) pour la dégager du loquet du levier (8).

**IMPORTANT :** En soulevant la charnière pour la dégager, veillez à ce que la porte ne tombe pas par en avant.

- Soulevez la porte par la tige de charnière centrale et enlevez la porte.

**AVERTISSEMENT :** Toujours attacher et détacher avec la porte ouverte à 90° ou plus.

- Placez la porte, face intérieure vers le haut, sur une surface non abrasive.



- 3
- Pour enlever la porte de réfrigérateur droite :**
- Ouvrez la porte. Enlevez la vis supérieure de couverture de charnière (1). Soulevez le couvercle (2).
  - Débranchez retirez le couvercle.
  - Débranchez le faisceau de fils (3).
  - Tournez le levier de charnière (4) dans le sens horaire et enlevez-le. Soulevez la charnière supérieure (5) pour la dégager du loquet du levier (6).

**IMPORTANT :** En soulevant la charnière pour la dégager, veillez à ce que la porte ne tombe pas par en avant.

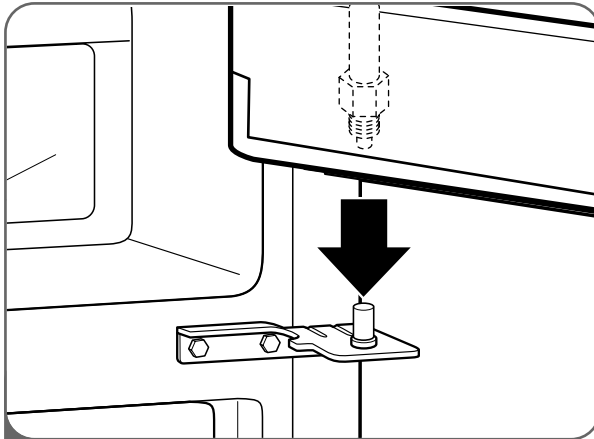
- Soulevez la porte à partir de la tige de charnière centrale et enlevez la porte.

**AVERTISSEMENT :** Toujours attacher et détacher avec la porte ouverte à 90° ou plus.

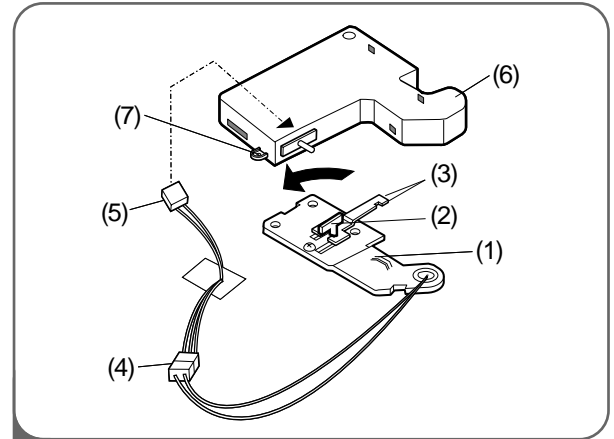
- Placez la porte, face intérieure vers le haut, sur une surface non abrasive.

# INSTALLATION

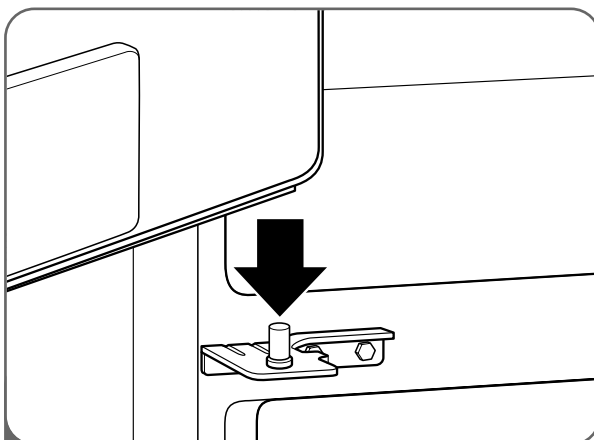
## RÉINSTALLATION DES PORTES



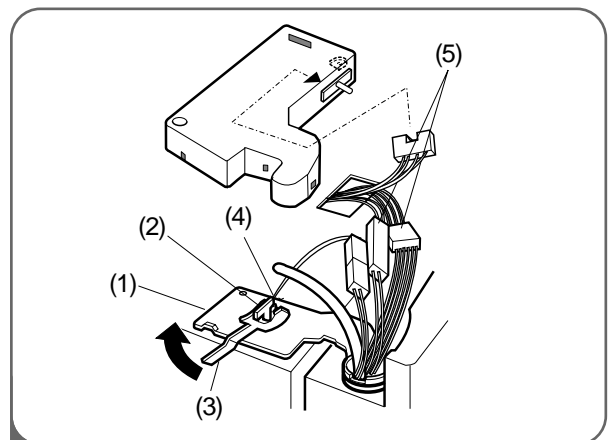
- 1 Commencez par installer la porte de droite.
- Abaissez la porte sur la tige de charnière centrale, comme illustré.
  - Assurez-vous que le manchon en plastique est inséré dans le bas de la porte.



- 2
- Placez la charnière supérieure (1) au dessus du loquet du levier de charnière (2) puis mettez-la en place. Insérez le levier (3) sous le loquet du levier. Tournez le levier dans le sens antihoraire pour fixer la charnière.
  - Branchez le faisceau de fils (4).
  - Branchez le faisceau de fils de l'interrupteur de porte (5).
  - Accrochez la languette du couvercle située côté interrupteur (6) sous le bord de l'orifice des fils dans le haut de la carrosserie. Mettez le couvercle en place. Insérez la vis du couvercle et serrez (7).



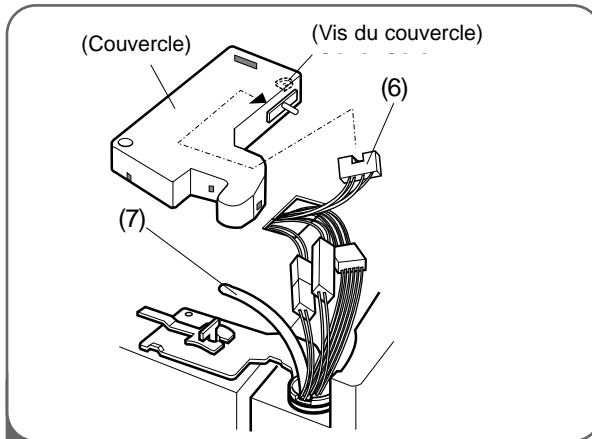
- 3 Installez la porte de gauche.
- Abaissez la porte sur la tige de charnière centrale.



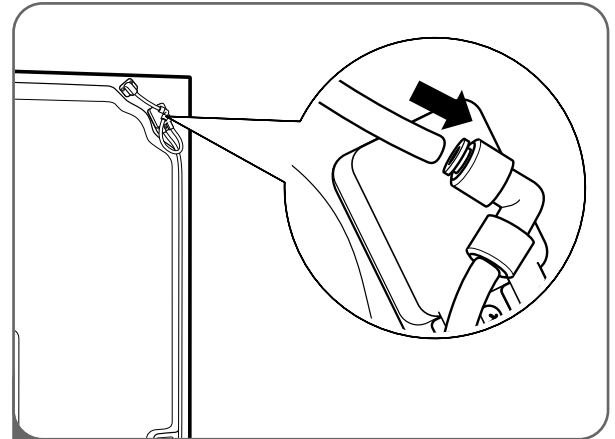
- 4
- Placez la charnière supérieure (1) au dessus du loquet du levier de charnière (2) puis mettez-la en place. Insérez le levier (3) sous le loquet. Tournez le levier dans le sens horaire pour fixer la charnière.
  - Installez la vis de mise à la terre (4) et reliez tous les harnais (5).



## RÉINSTALLATION DES PORTES (SUITE)

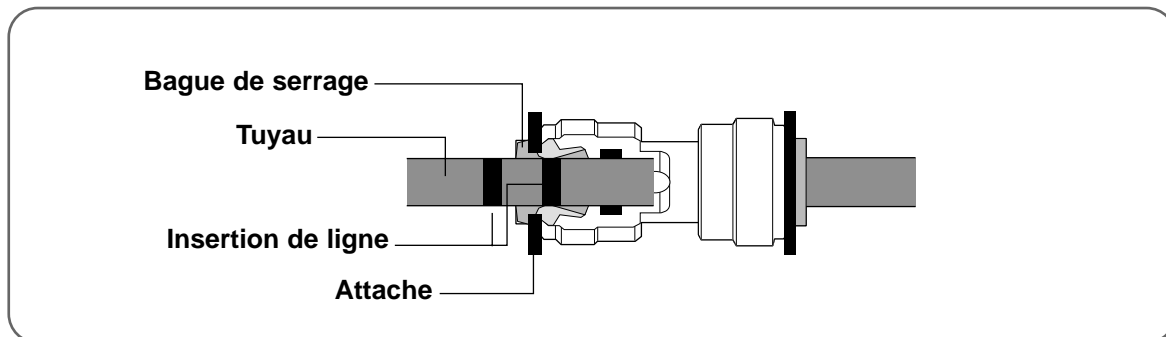


- 5 • Branchez le faisceau de fils de l'interrupteur de porte (6). Poussez le tube d'approvisionnement en eau (7) dans le trou sur le bac supérieur et tirez-le par la plaque arrière.

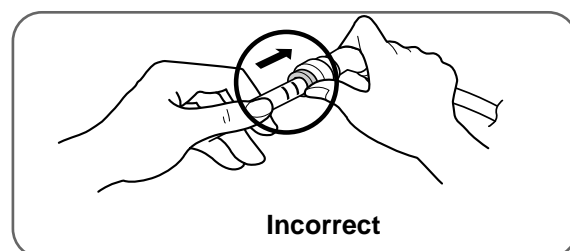
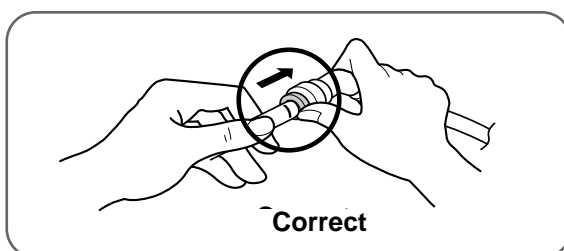


- 6 Insérez le tube d'alimentation d'eau dans le connecteur.
- Insérez le tube dans le connecteur sur une distance d'au moins 5/8 po (15 mm).
  - Accrochez la languette du couvercle située côté interrupteur sous le bord de l'orifice des fils dans le haut de la carrosserie. Mettez le couvercle en place. Insérez la vis du couvercle et serrez.

## ⚠ AVERTISSEMENT



1. Insérez le tuyau jusqu'à ce que vous ne voyiez qu'une seule ligne d'alimentation.
2. Ensuite, tirez du tuyau pour vérifier qu'il est correctement inséré.
3. Montez l'attache.



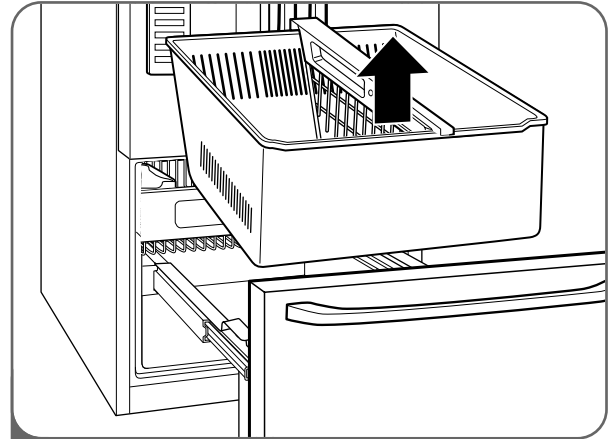
# INSTALLATION

## ENLÈVEMENT DES PORTES ET DU TIROIR (SUITE)

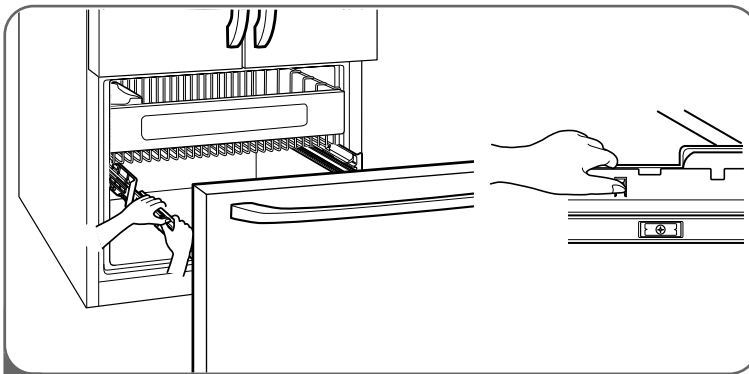
### ENLÈVEMENT DU TIROIR DU CONGÉLATEUR

#### **⚠ MISE EN GARDE**

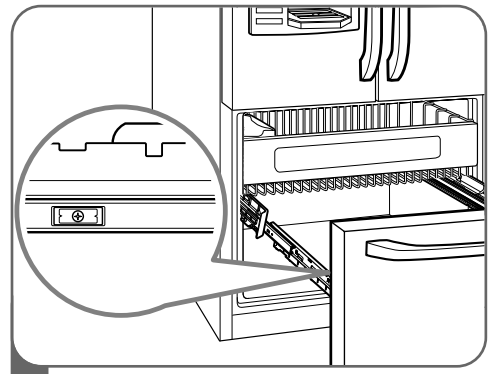
- Afin d'éviter tout risque de blessures ou de dommages au produit ou à la propriété, deux personnes seront nécessaires pour exécuter les instructions suivantes.
- Lorsque vous enlevez le tiroir, ne tenez pas la poignée. Celle-ci pourrait se détacher et occasionner des blessures corporelles.
- En déposant le tiroir, veillez à ne pas endommager le plancher ni heurter vos pieds sur les bords coupants du côté charnière.



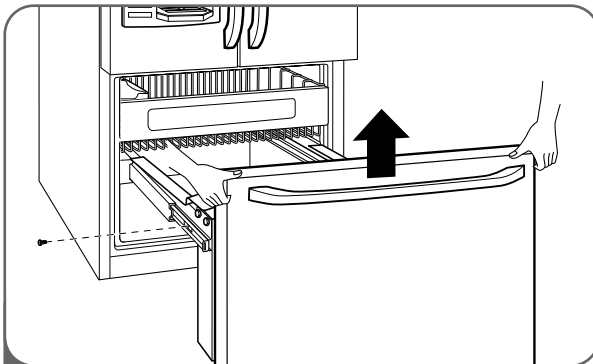
- 1 Pour enlever le tiroir du congélateur, ouvrez-le jusqu'au bout. Retirez le panier inférieur DuraBase® en le soulevant pour le dégager des rails.



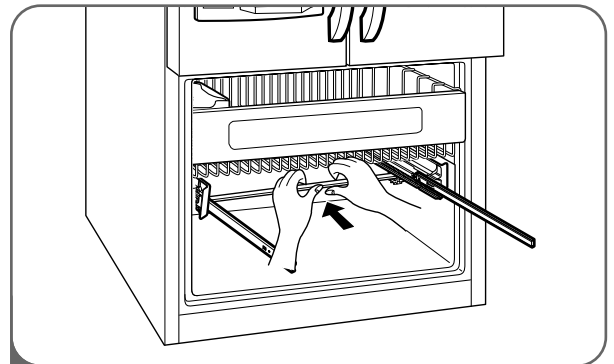
- 2 Séparez les rails gauche et droit du couvercle.



- 3 Retirez les vis du rail des deux côtés.



- 4 Avec les deux mains, maintenez les deux côtés de la porte et tirez pour les séparer.



- 5 Avec les deux mains, maintenez le centre de la barre et poussez-la pour que les deux rails entrent en même temps.

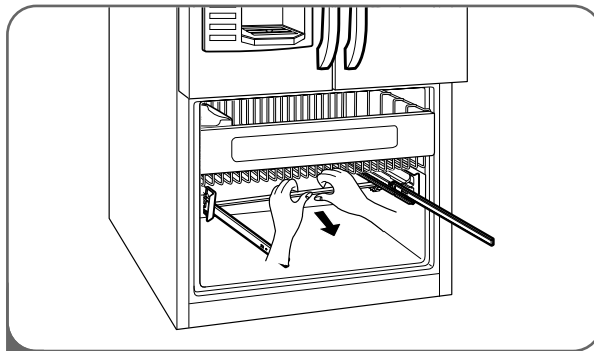
- ⚠ ATTENTION:** Lorsque vous enlevez le tiroir, ne saisissez pas la poignée. Si elle est enlevée, vous pourriez subir des blessures.
- ⚠ ATTENTION:** Lorsque vous déposez le tiroir sur le plancher, veillez à ne pas endommager le plancher et à ne pas vous faire mail au pied avec les bords affilés du côté de la charnière.

## ENLÈVEMENT DES PORTES ET DU TIROIR (SUITE)

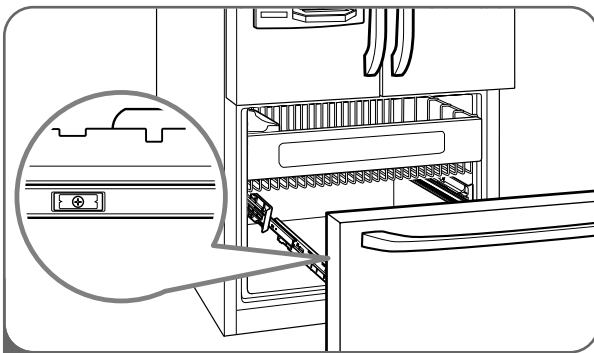
### RÉINSTALLATION DU TIROIR DU CONGÉLATEUR

#### **⚠ MISE EN GARDE**

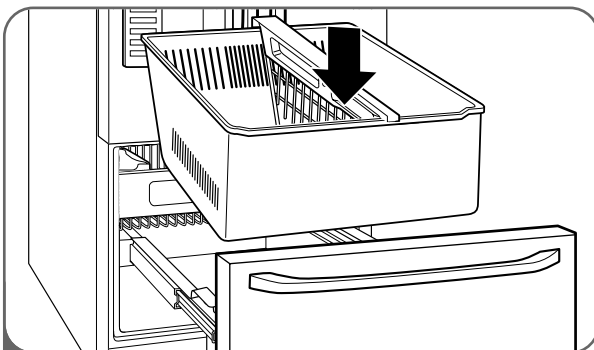
- Afin d'éviter tout risque de blessures ou de dommages au produit ou à la propriété, deux personnes seront nécessaires pour exécuter les instructions suivantes.



- 1 Pour remettre le tiroir en place, tenez la barre centrale avec les deux mains et tirez-la jusqu'à la pleine extension des rails.



- 3 Vérifiez la forme de gauche et droite du rail du couvercle.

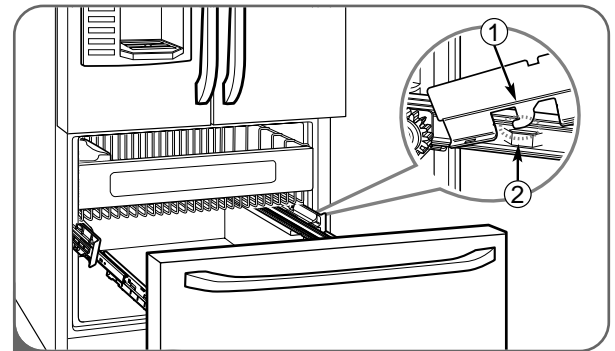


- 5 Avec le tiroir étendu à son extension totale, insérez le panier inférieur dans le système de guidage jusqu'à ce qu'il ne se déplace pas en avant.

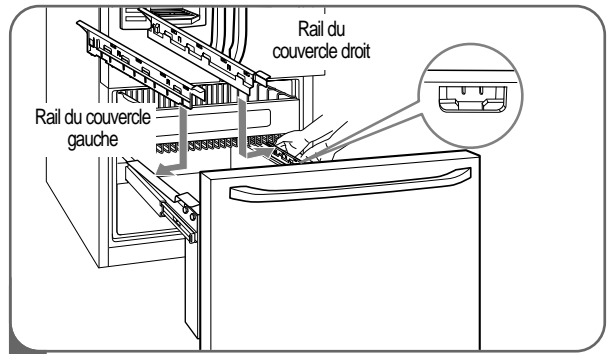
#### **⚠ DANGER**

##### **Risque de piégeage des enfants**

- Pour éviter le piégeage accidentel des enfants ou des animaux domestiques et les risques de suffocation, NE leur permettez PAS de jouer à l'intérieur du tiroir du congélateur.
- ÉVITEZ de mettre le pied ou de vous asseoir sur le tiroir.



- 2 Montez le connecteur de la porte (1) sur le bras du rail (2).



- 4 Alignez les orifices du haut du rail du couvercle avec ceux du bas du connecteur de la porte pour monter le rail du couvercle.

- ⚠ **AVERTISSEMENT:** Pour éviter que les enfants ou les animaux domestiques puissent rester attrapés ou suffoqués dedans, ne leur permettez pas de jouer dans l'intérieur du tiroir.
- ⚠ **AVERTISSEMENT:** Ne marchez ni ne vous asseyez sur la porte du congélateur.

## RACCORDEMENT À L'ALIMENTATION D'EAU

### **⚠️ AVERTISSEMENT**

#### **Raccordez-vous à une alimentation d'eau potable seulement.**

- La machine à glaçons automatique nécessite une pression d'eau de 21 à 121 psi (1,5 à 8,5 kgf/cm<sup>2</sup>) sur les modèles sans filtre à eau, et de 43 à 121 psi (3 à 8,5 kgf/cm<sup>2</sup>) sur les modèles avec filtre à eau.
- Si la pression d'eau n'atteint pas 21 psi (1,5 kgf/cm<sup>2</sup>) ou tombe sous cette valeur, la machine à glaçons et le distributeur d'eau doivent chacun être dotés d'une pompe de pression distincte pour fonctionner normalement.
- Il est recommandé que la longueur totale du tube d'alimentation d'eau ne dépasse pas 26 pi (8 m).
- Installez la conduite d'eau à un endroit où elle ne sera pas affectée par la chaleur.

**IMPORTANT :** Lisez toutes les directives attentivement avant de commencer.

- Si le réfrigérateur doit fonctionner avant d'effectuer le raccordement à l'alimentation d'eau, mettez la machine à glaçons à la position OFF (Arrêt) pour empêcher son fonctionnement à vide.
- Toutes les installations doivent se conformer aux codes locaux qui régissent les travaux de plomberie.
- Utilisez des conduites en cuivre et vérifiez les fuites.
- Installez les conduites uniquement dans des endroits où la température se maintiendra au-dessus du point de congélation.
- La machine à glaçons peut prendre jusqu'à 24 heures pour commencer à produire de la glace.

#### Outils requis

- Tournevis standard
- Clés à fourche de 7/16 et 1/2 po ou deux clés réglables
- Tournevis à douille de 1/4 po
- Mèche de 1/4 po
- Perceuse manuelle ou électrique (correctement mise à la terre)

**REMARQUE :** Les concessionnaires de réfrigérateurs offrent une trousse qui comprend un robinet d'arrêt à étrier de 1/4 po, un raccord, et une conduite en cuivre. Avant de vous la procurer, assurez-vous de la conformité du robinet d'arrêt à étrier aux codes locaux qui régissent les travaux de plomberie. **N'utilisez pas un robinet de type perforant ou un robinet d'arrêt à étrier de 3/16 po car ceux-ci réduisent le débit d'eau et s'obstruent plus facilement.**

#### Alimentation d'eau froide

- Le robinet d'adduction d'eau de la machine à glaçons est doté d'une électrovanne qui sert de régulateur de pression.
- La machine à glaçons doit être raccordée à une conduite d'eau froide dont la pression est de 21 à 121 psi (1,5 à 8,5 kgf/cm<sup>2</sup>) sur les modèles sans filtre à eau, et de 43 à 121 psi (3 à 8,5 kgf/cm<sup>2</sup>) sur les modèles avec filtre à eau.

## RACCORDEMENT DES CONDUITES D'EAU

**IMPORTANT :** Avant de raccorder les tubes à la conduite d'eau, débranchez le réfrigérateur de la prise ou coupez l'alimentation électrique.

- Coupez la conduite d'eau principale et ouvrez le robinet le plus proche afin de libérer la pression dans la conduite. L'ouverture d'un robinet extérieur peut faciliter le drainage de l'eau de la conduite de la maison.
- Repérez une conduite d'eau FROIDE verticale de 1/2 po à proximité du réfrigérateur.

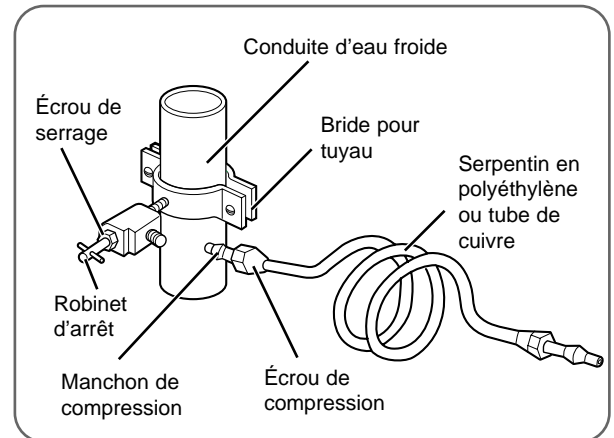
**REMARQUE :** Une conduite horizontale fera aussi l'affaire, à condition cependant de prendre la précaution suivante : percez sur le dessus de la conduite et non en dessous. Ceci contribuera à éloigner l'eau de la perceuse et à empêcher les sédiments de s'accumuler dans le robinet d'arrêt.

- Pour déterminer la longueur du tube de cuivre qu'il vous faut, mesurez la distance entre le raccord du réfrigérateur (situé dans la partie inférieure gauche à l'arrière du réfrigérateur) et la conduite d'eau. Ajoutez 7 pi (2,1 m) pour être en mesure de déplacer le réfrigérateur lors du nettoyage. Utilisez un tube de cuivre d'un diamètre extérieur de 1/4 po. Assurez-vous que les deux extrémités du tube sont coupées à angle droit.
- À l'aide d'une perceuse, percez un trou de 1/4 po dans la conduite d'eau froide que vous avez repérée.

## RACCORDEMENT DES CONDUITES D'EAU (SUITE)

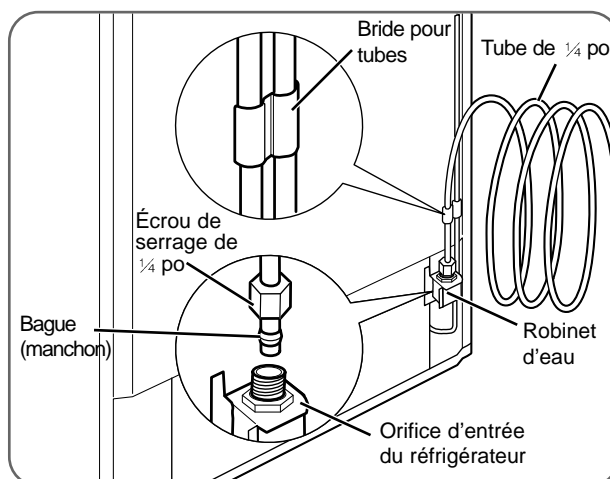
- Fixez le robinet d'arrêt sur la conduite d'eau froide à l'aide de la bride pour tuyau. Assurez-vous que le raccord du robinet est bien inséré dans le trou de 1/4 po qui a été percé dans la conduite d'eau et que la rondelle d'é tanchéité se trouve sous la bride. Serrez l'é crou de serrage. Ensuite, serrez uniformément et avec soin les vis de la bride afin que la rondelle forme un joint bien étanche. Ne serrez pas trop car vous pourriez écraser le tube de cuivre, en particulier s'il s'agit d'un serpentin souple. Vous êtes maintenant prêt à raccorder le tube de cuivre.
- Glissez le manchon et l'é crou à compression sur le tube de cuivre, comme illustré. Insérez en ligne droite et aussi loin que possible l'extrémité du tube dans l'orifice de sortie du robinet. À l'aide d'une clé, vissez l'é crou de compression sur l'orifice de sortie. Une clé polygonale ouverte est l'idéal, mais une clé à fourche fera l'affaire. Ne serrez pas à l'excès.

- Placez l'extrémité libre du tube dans un contenant ou un évier, puis rétablissez l'alimentation d'eau dans la conduite principale. Rincez le tube jusqu'à l'obtention d'une eau claire. Fermez le robinet d'arrêt sur la conduite d'eau. Enroulez le tube de cuivre comme illustré ci-dessous.



**IMPORTANT :** Avant de raccorder le tube au réfrigérateur, assurez-vous que le cordon du réfrigérateur n'est pas branché dans la prise murale. Si votre réfrigérateur n'est pas équipé d'un filtre à eau intégré, nous recommandons d'installer un filtre à eau externe. Le tamis du robinet d'eau du réfrigérateur risque de s'obstruer si votre alimentation d'eau transporte des sédiments (sable, particules). Installez le filtre externe sur la ligne d'eau à proximité du réfrigérateur.

**REMARQUE :** Un filtre externe est proscrit si votre réfrigérateur est déjà équipé d'un filtre intégré.



- Retirez le capuchon flexible en plastique du robinet d'eau.
- Placez l'é crou de serrage et la bague sur l'extrémité du tube, comme illustré.
- Insérez aussi loin que possible l'extrémité du tube de cuivre dans l'orifice d'entrée. Serrez le raccord tout en tenant le tube.

**IMPORTANT :** Serrez tout raccordement où une fuite est détectée. Ouvrez l'eau au niveau du robinet d'arrêt.

- Branchez le réfrigérateur dans la prise.
- Disposez le tube de cuivre à l'arrière du réfrigérateur de manière à ce qu'il ne vibre pas contre le mur ou le réfrigérateur.
- Vérifiez la présence de fuites.
- Vidangez environ 6 verres d'eau du distributeur après l'installation du réfrigérateur.

**REMARQUE :** L'écoulement de l'eau peut prendre quelques secondes pour laisser le réservoir se remplir et l'air s'expulser des conduites.

- Poussez le réfrigérateur contre le mur.
- Mettre l'interrupteur de la machine à glaçons à la position ON (Marche).

**REMARQUE :** La machine à glaçons devra atteindre 15°F (-9°C) pour commencer à fonctionner. Le démarrage se fera alors automatiquement.

**REMARQUE :** Jetez les premiers lots de glaçons (environ 20 glaçons).

## MISE À NIVEAU DES PORTES DU RÉFRIGÉRATEUR

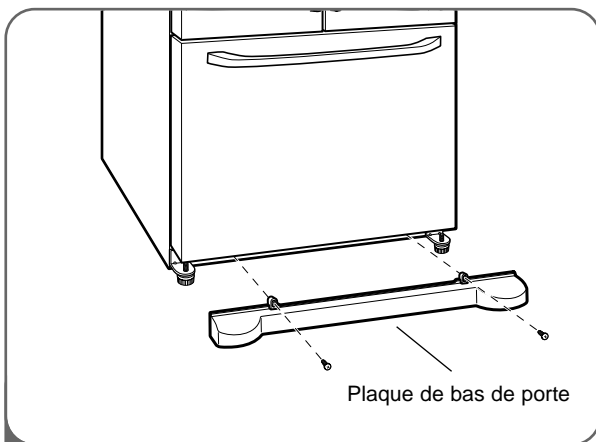
### ⚠️ AVERTISSEMENT

#### Risque d'électrocution

- Soyez prudent lorsque vous travaillez avec la charnière, la grille basale, ou la butée. Vous pourriez vous blesser.
- Ne mettez pas les mains, les pieds ou des tiges métalliques dans les événements, la grille basale, ou la partie inférieure du réfrigérateur. Vous pourriez vous blesser ou être électrocuté.

#### Nivellement

Votre réfrigérateur est doté de deux pattes de nivellement frontales, l'une à gauche et l'autre à droite. Réglez les pattes pour corriger le balancement d'avant en arrière ou d'un côté à l'autre. Si votre réfrigérateur semble instable ou si vous voulez que les portes ferment plus facilement, ajustez l'inclinaison du réfrigérateur en utilisant les instructions suivantes:



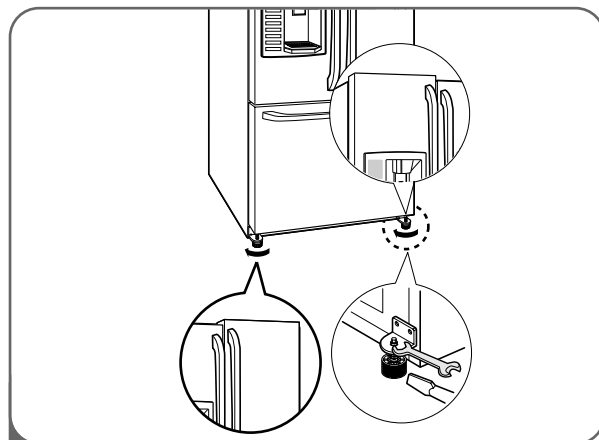
- 1 Branchez le cordon électrique dans une prise trifilaire à contact de mise à la terre et déplacez le réfrigérateur à sa position finale. Enlevez les vis de la plaque de bas de porte, puis la plaque.

- Ouvrez le tiroir du congélateur.
- Une fois ouvert, vous disposez de suffisamment d'espace pour enlever les vis sur le dessus de la plaque de bas de porte.

**REMARQUE :** Pour replacer la plaque, mettez-la en position, insérez les vis puis serrez.

### ⚠️ MISE EN GARDE

- Afin d'éviter tout risque de blessures ou de dommages au produit ou à la propriété, deux personnes seront nécessaires pour exécuter les instructions suivantes.



- 2 Nivelez le réfrigérateur en employant une clé 11/32 pouces (8mm) ou un tournevis plat, augmentez (dans le sens des aiguilles d'une montre) ou diminuez (dans le sens contraire aux aiguilles d'une montre) la hauteur du pied de nivellement gauche/droit pour niveler le réfrigérateur.

**REMARQUE :** Une poussée vers l'arrière sur le dessus du réfrigérateur enlève du poids sur les pattes de nivellement et facilite ainsi leur réglage.

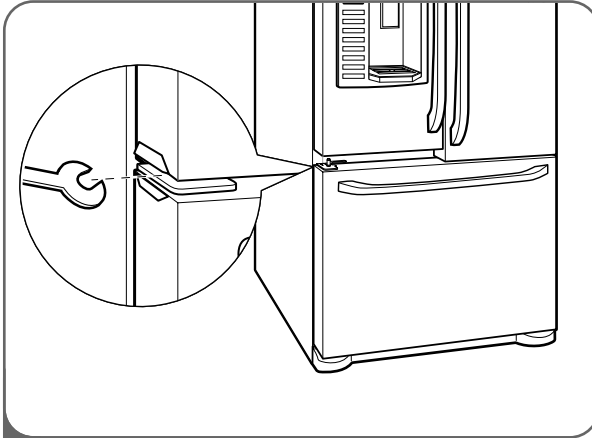
Ouvrez les deux portes pour vous assurer qu'elles se referment aisément. Sinon, vissez encore les deux pattes de nivellement dans la même proportion et dans le sens horaire pour accroître la hauteur.

Une fois le réfrigérateur de niveau, remplacez la plaque de bas de porte.

**REMARQUE :** Le compartiment réfrigérateur de votre nouvel électroménager présente un design exclusif à deux portes. Chacune peut s'ouvrir ou se fermer indépendamment. Vous devrez exercer une légère pression sur les portes pour les fermer complètement.

## NIVELLEMENT DES PORTES DU RÉFRIGÉRATEUR (SUITE)

### ALIGNEMENT DES PORTES



- 1 • Enlevez la grille inférieure.  
• À l'aide d'un tournevis plat ou bien une pince de 11/32", dévissez les pieds de mise à niveau pour soulever l'avant de l'appareil ou bien vissez-les pour abaisser l'avant du réfrigérateur  
• Utilisez une clé (rattachée au Mode d'emploi) pour ajuster le boulon dans la charnière de la porte pour ajuster la hauteur. (CCW pour rehausser ou CW pour baisser la hauteur)

## DÉMARRAGE

Avant de placer des aliments frais dans votre réfrigérateur :

- Enlevez le ruban adhésif et toute étiquette temporaire avant d'utiliser le réfrigérateur. Pour faire partir les résidus de colle, frottez vivement la surface collante avec le pouce, ou frottez avec les doigts en ajoutant du liquide à vaisselle. Essuyez ensuite avec de l'eau chaude puis asséchez. N'utilisez pas d'outils coupants, d'alcool à friction, de liquides inflammables, ni de nettoyeurs abrasifs pour enlever le ruban adhésif ou la colle.

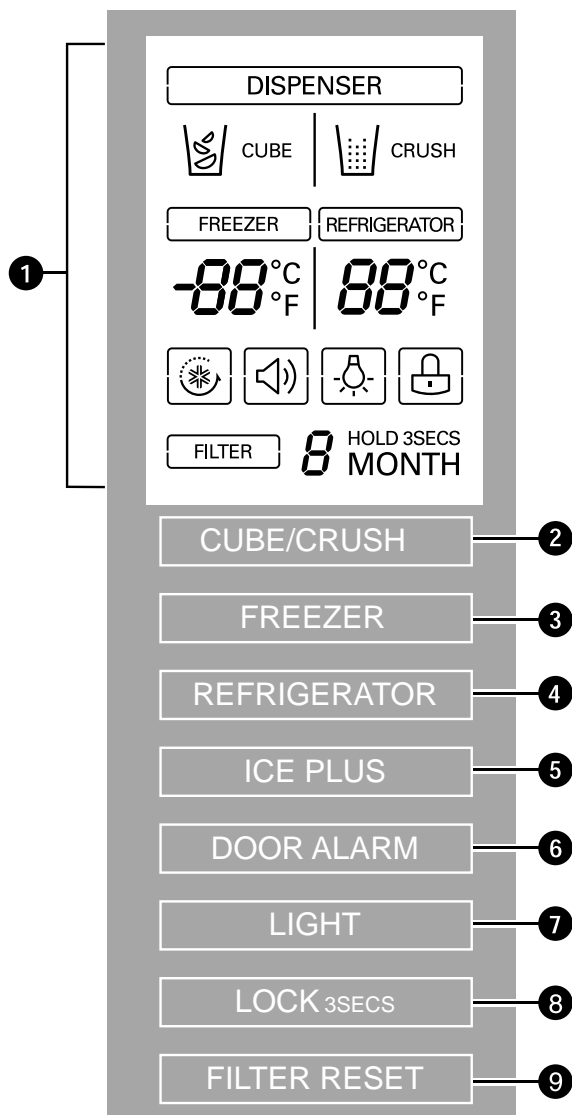
**REMARQUE :** N'enlevez pas les étiquettes d'avertissement ou de mise en garde, celles qui affichent les numéros de modèle et de série, ni les fiches techniques fixées à l'arrière du réfrigérateur.

- Nettoyez votre réfrigérateur à fond et essuyez toute la poussière qui a pu se déposer pendant le transport.
- Installez les accessoires tels que bac à glace, tiroirs, clayettes, à l'endroit approprié. Ils sont emballés ensemble pour prévenir les dommages durant le transport.
- Réglez selon vos besoins les températures du réfrigérateur et du congélateur (voir la section Réglage des températures et des fonctions).
- Laissez votre réfrigérateur fonctionner pendant au moins 2 ou 3 heures avant d'y placer des aliments. Vérifiez la circulation d'air froid dans le compartiment congélateur pour vous assurer que le refroidissement est adéquat. Votre réfrigérateur est maintenant prêt à servir.

# UTILISATION DU RÉFRIGÉRATEUR

## FONCTIONS DU PANNEAU DE COMMANDE

Pour une description détaillée des fonctions des touches, consultez les pages 66 à 68.



### 1 AFFICHEUR ACL

L'afficheur ACL indique les réglages de température, les options du distributeur, ainsi que les messages d'état du filtre à eau, de l'alarme porte, et du dispositif de verrouillage. L'afficheur peut passer en mode d'économie d'énergie, c'est-à-dire s'allumer uniquement à l'ouverture d'une porte et la pression d'une touche.

### 2 TOUCHE GLAÇON/PILÉE

La touche GLAÇON/PILÉE sert à sélectionner de la glace en cubes ou pilée.

### 3 TOUCHE FREEZER (CONGÉLATEUR)

Appuyez sur le bouton FREEZER pour régler la température du compartiment réfrigération.  
**REMARQUE** : Lorsque cette touche est enfoncée simultanément avec la touche REFRIGERATOR (Réfrigérateur) pendant plus de cinq secondes, l'affichage de la température passe de Fahrenheit à Celsius ou inversement. Lorsque cette touche est enfoncée simultanément avec la touche ICE PLUS (Glace plus) pendant cinq secondes, le mode d'économie d'énergie de l'afficheur s'allume puis s'éteint en alternance.

### 4 TOUCHE REFRIGERATOR (RÉFRIGÉRATEUR)

Pressez la touche REFRIGERATOR (Réfrigérateur) pour régler la température du compartiment réfrigérateur.  
**REMARQUE** : Lorsque cette touche est enfoncée simultanément avec la touche FREEZER (Congélateur) pendant plus de cinq secondes, l'affichage de la température passe de Fahrenheit à Celsius ou inversement.

### 5 TOUCHE ICE PLUS (GLACE PLUS)

Appuyez sur ce bouton pour activer la fonction ICE PLUS qui augmente sa capacité de création de glace d'environ 20%.

### 6 TOUCHE ALARME PORTE

Appuyez sur cette touche pour contrôler l'alarme d'ouverture de porte.

### 7 TOUCHE LUMIÈRE

La touche LUMIÈRE contrôle la lampe du distributeur.

### 8 TOUCHE VERROUILLAGE

Appuyez sur cette touche pour verrouiller ou déverrouiller toutes les autres touches de fonction du panneau de contrôle, y compris le fonctionnement du distributeur.

### 9 TOUCHE RÉRÉGLAGE DU FILTRE

La touche RÉRÉGLAGE DU FILTRE sert à régler à nouveau l'indicateur de remplacement du filtre d'eau lorsque le filtre d'eau a été remplacé.



# UTILISATION DU RÉFRIGÉRATEUR

## L’AFFICHEUR DCL

L’afficheur DCL indique les réglages de température, les options du distributeur, ainsi que les messages d’état du filtre à eau, de l’alarme de porte, et du dispositif de verrouillage.

### 1 INDICATEURS DE SÉLECTION DU DISTRIBUTEUR

Affiche l’élément qui sera distribué lorsque l’interrupteur à poussoir sera enfoncé: Crushed Ice (Glace broyée), Water (Eau), ou Cubed Ice (Glaçons).

### 2 TEMPÉRATURE DU CONGÉLATEUR

Indique le réglage de température du compartiment congélateur en Celsius ou Fahrenheit.

### 3 TEMPÉRATURE DU RÉFRIGÉRATEUR

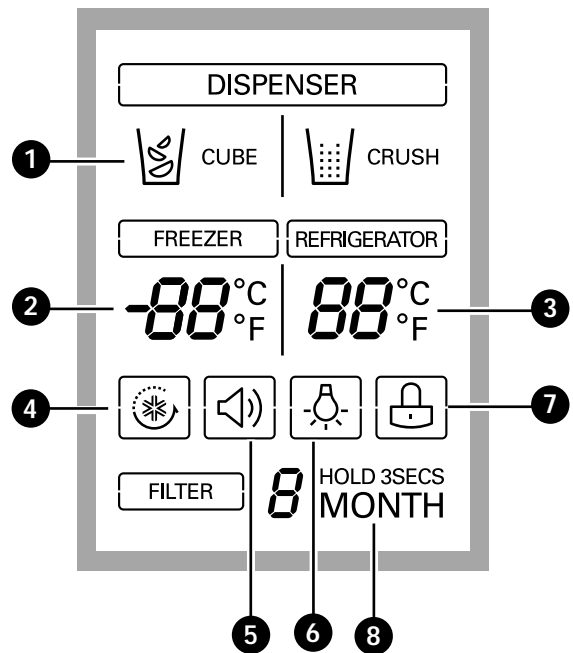
Indique le réglage de température du compartiment réfrigérateur en Celsius ou Fahrenheit.

### 4 ÉTAT CLR EXPRESS

Lorsque vous appuyez sur la touche CLR EXPRESS, l’affichage indiquera que la fonction sélectionnée a été activée.

### 5 INDICATEUR D’ALARME DE PORTE

Signale l’activation de l’alarme de porte ouverte.



### 6 INDICATEUR LUMIÈRE DU DISTRIBUTEUR

Lorsque vous appuyez sur la touche LUMIÈRE, l’affichage indiquera la fonction sélectionnée : Si la lumière du distributeur est allumée, l’indicateur apparaîtra sur le panneau d’affichage.

### 7 ÉTAT DU VERROUILLAGE

Affiche le mot LOCK (Verrouillage) lorsque les fonctions du panneau de commande sont verrouillées.

### 8 ÉTAT DU FILTRE À EAU

Affiche l’état actuel du filtre à eau. Voir la section Réinitialisation de l’indicateur du filtre.

# UTILISATION DU RÉFRIGÉRATEUR

## RÉGLAGE DES TEMPÉRATURES ET DE L’AFFICHAGE

### Réglage de la température du congélateur

Pour régler la température du compartiment congélateur, pressez la touche FREEZER (Congélateur) pour faire défiler la plage des températures.



FREEZER

0°F

### Réglage de la température du réfrigérateur

Pour régler la température du compartiment réfrigérateur, pressez la touche REFRIGERATOR (Réfrigérateur) pour faire défiler la plage des températures.



REFRIGERATOR

37°F

**REMARQUE :** La température interne réelle varie selon l'état des aliments, puisque c'est la température ciblée qui est affichée et non la température réelle à l'intérieur du réfrigérateur. Réglez d'abord la COMMANDE de température du compartiment RÉFRIGÉRATEUR à 37°F (3°C). Laissez le réfrigérateur se stabiliser à cette température pendant 24 heures (une journée). Puis réglez la température du compartiment réfrigérateur comme illustré ci-dessus.



FREEZER



REFRIGERATOR

### Affichage de la température

Pour faire passer l'affichage des températures de Fahrenheit à Celsius :

- Maintenez simultanément la pression sur les touches FREEZER (Congélateur) et REFRIGERATOR (Réfrigérateur) pendant plus de 5 secondes.
- Faites de même pour revenir en Fahrenheit.

# UTILISATION DU RÉFRIGÉRATEUR

## FONCTIONNEMENT DU DISTRIBUTEUR

Pour distribuer de la glace, sélectionnez Glaçons, Glace Pilée et appuyez sur le levier à glace avec un verre ou un autre récipient.

Pour distribuer de l'eau, appuyez sur le levier à Eau avec un verre ou un autre récipient.

Pour faire couler l'eau, mettez un verre ou un autre récipient sous le tuyau puis appuyez sur le bouton Eau avec un doigt.

### DISTRIBUTION DE GLACE BROYÉE

CUBE/CRUSH



Pressez la touche DISPENSER (Distributeur) pour allumer l'icône de la glace broyée. Pressez l'interrupteur à poussoir avec un verre ou un autre contenant pour y verser la glace broyée.

### DISTRIBUTION D'EAU



Pressez la touche DISPENSER (Distributeur) pour allumer l'icône de l'eau.

Pressez l'interrupteur à poussoir avec un verre ou un autre contenant pour y verser de l'eau froide. Lorsque le levier à eau est enfoncé, la lumière s'allume.

### DISTRIBUTION DE GLAÇONS

CUBE/CRUSH



Pressez la touche DISPENSER (Distributeur) pour allumer l'icône des glaçons. Pressez l'interrupteur à poussoir avec un verre ou un autre contenant pour y verser des glaçons.

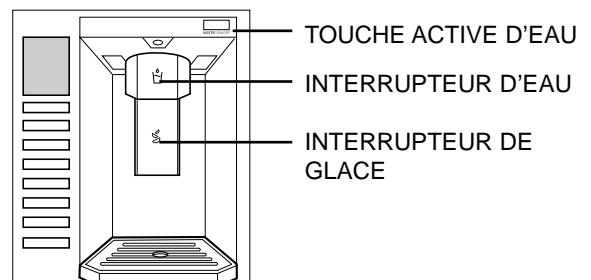
### COMMANDE DE LA LAMPE DU DISTRIBUTEUR

LIGHT



Pressez la touche LIGHT/FILTER (Lampe/Filtre) pour allumer ou éteindre la lampe du distributeur.

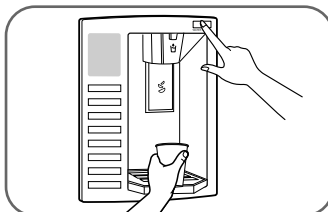
**REMARQUE :** Tenez le verre ou un autre contenant en place pendant quelques secondes après la distribution d'eau ou de glace pour récupérer les dernières gouttes ou glaçons. Le distributeur est conçu pour cesser de fonctionner lorsque la porte du réfrigérateur est ouverte. refrigerator door is open.



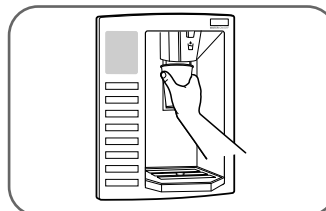
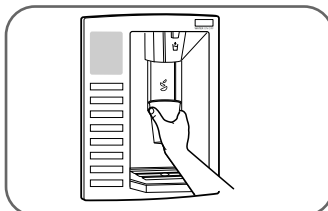
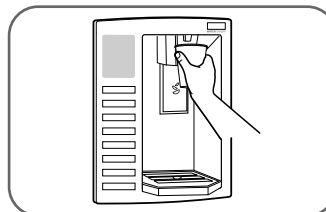
## ⚠ ATTENTION

Si vous souhaitez ouvrir légèrement le récipient, faites-le au plus près possible de l'ouverture du distributeur d'eau ou de glace.

### Incorrect



### Correct



# UTILISATION DU RÉFRIGÉRATEUR

## RÉGLAGE DES FONCTIONS

Pressez la touche de la fonction désirée pour afficher et sélectionner d'autres réglages.

### RÉGLAGE DU VERROUILLAGE DU DISTRIBUTEUR

LOCK 3SECS



Maintenez une pression sur la touche ALARM/LOCK (Alarme/Verrouillage) pendant 3 secondes pour verrouiller le distributeur et toutes les autres fonctions du panneau de commande. Maintenez à nouveau une pression pendant 3 secondes pour déverrouiller.

### RÉGLAGE DE L'INDICATEUR DE FILTRE

FILTER RESET

HOLD 3SECS  
6 MONTH

Maintenez une pression sur la touche LIGHT/FILTER (Lampe/Filtre) pendant plus de 3 secondes pour réinitialiser l'indicateur de filtre après le remplacement du filtre à eau.

**REMARQUE :** Il est recommandé que vous remplaciez le filtre quand le voyant de signalisation du filtre d'eau atteint 0, ou lorsque le goût des glaçons ou de l'eau soit sensiblement détérioré.

### RÉGLAGE DE L'ALARME DE PORTE

DOOR ALARM



La touche ALARM/LOCK (Alarme/ Verrouillage) commande aussi l'alarme de porte qui se fait entendre trois fois à intervalles de 30 secondes lorsque la porte d'un compartiment reste ouverte pendant plus de 60 secondes.

La sonnerie d'alarme arrête dès que la porte est refermée. Pressez la touche ALARM/LOCK (Alarme/Verrouillage) une fois pour activer ou désactiver la fonction d'alarme de porte.

**REMARQUE :** Communiquez avec votre centre de service local si la sonnerie d'alarme se poursuit malgré la fermeture des portes.

### ACTIVATING ICE PLUS

ICE PULS



Pressez la touche ICE PLUS (Glace plus) une fois pour activer cette fonction. L'icône de la fonction s'allumera alors sur l'afficheur. La fonction Ice Plus fait marcher le compartiment congélateur à la température la plus

froide pendant une période de 24 heures pour augmenter la production de glaçons d'environ 20%, et puis s'arrête automatiquement.

**NOTE :** Appuyez encore sur la touche pour annuler la fonction Ice Plus.

## FONCTION DE DIAGNOSTIC DES PROBLÈMES

La fonction de diagnostic détecte automatiquement les problèmes de votre réfrigérateur en faisant apparaître un code de diagnostic sur l'afficheur. **REMARQUE :** Si un code de diagnostic apparaît sur l'afficheur, prenez le code en note, composez le **1-800-243-0000** (24 heures par jour/7 jours par semaine), puis choisissez l'option de localisation d'un centre de service autorisé.

# UTILISATION DU RÉFRIGÉRATEUR

## RÉCIPIENT D'ACCUMULATION DE GLACE

### ⚠ MISE EN GARDE

- Gardez les mains et les outils à l'écart de la porte du récipient d'accumulation de glace et de la chute du distributeur. Vous pourriez endommager du matériel ou vous blesser.

La machine à glaçons cessera de produire de la glace lorsque le bac est plein. S'il vous faut plus de glace, videz le récipient d'accumulation de glace dans le bac à glace supplémentaire du congélateur pour que la machine poursuive sa production.

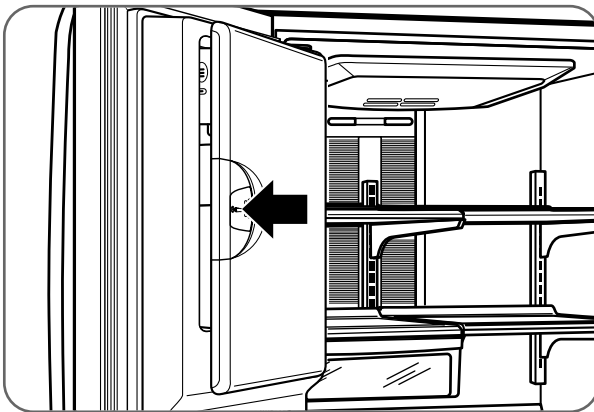
Secouez à l'occasion le récipient d'accumulation de glace pour égaliser son contenu. Il arrive que la glace s'empile à proximité de la machine à glaçons qui arrêtera alors sa production en interprétant que le bac est plein.

**REMARQUE :** Le fait de ranger des cannettes ou d'autres articles dans le récipient d'accumulation de glace risque d'endommager la machine à glaçons.

Gardez la porte du récipient d'accumulation bien fermée. Sinon, l'air froid du bac gèlera les aliments du compartiment réfrigérateur.

La machine à glaçons risque également d'interrompre sa production.

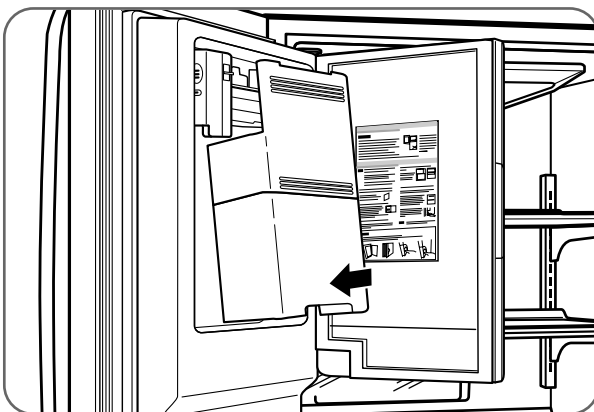
**NOTE :** Si le commutateur Marche/Arrêt sur la machine à glaçons est arrêté pendant un temps prolongé, le compartiment à glace réchauffera graduellement jusqu'à la température du compartiment réfrigérateur. Pour empêcher la fonte des glaçons et leur sortie du distributeur, videz **TOUJOURS** le bac à glace quand la machine à glaçons est arrêtée pendant plus de.



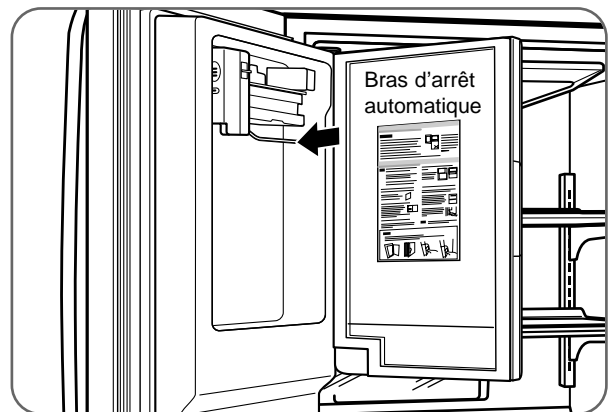
Poussez sur le loquet fermement à l'endroit indiqué pour fermer la porte du récipient d'accumulation de glace; un cliquètement se fera entendre lorsque la fermeture sera complète.



Pour retirer le récipient d'accumulation de glace, saisissez la poignée frontale, soulevez légèrement la partie inférieure, puis tirez lentement sur le bac pour le dégager, comme illustré.



Pour remettre le bac en place, penchez-le légèrement pour éviter le contact avec la machine à glaçons.



Évitez de toucher au bras d'arrêt automatique lors de la remise en place du bac. Lisez l'étiquette sur la porte du bac pour les détails.

# UTILISATION DU RÉFRIGÉRATEUR

## MACHINE À GLAÇONS AUTOMATIQUE

La glace est produite dans la machine à glaçons automatique puis acheminée au distributeur. La machine peut produire 6 glaçons à la fois et de 100 à 130 glaçons sur une période de 24 heures.

Cette quantité peut varier selon divers facteurs, notamment la température ambiante, l'ouverture des portes, le contenu du congélateur, et d'autres conditions de fonctionnement.

- Un réfrigérateur nouvellement installé prend de 12 à 24 heures pour produire de la glace.
- La production de glace cesse lorsque le bac à glace est plein.
- La taille du glaçon variera en fonction de la Position de la Sélection de quantité d'eau, ainsi que de l'eau
- Vous pouvez régler la taille du glaçon en pressant le Bouton de sélection de quantité d'eau
- Vous pouvez choisir la taille en appuyant sur le bouton de sélection de la taille des glaçons.

**REMARQUE :** Il est normal d'entendre un bruit lorsque les glaçons tombent dans le bac.

- La valve d'eau marche même si le tuyau d'eau n'est pas connecté et le Distributeur de glaçons est en marche. Le bruit est produit parce que le conduit d'eau n'est pas relié, ce qui ne signifie pas que la machine à glaçons est en panne.

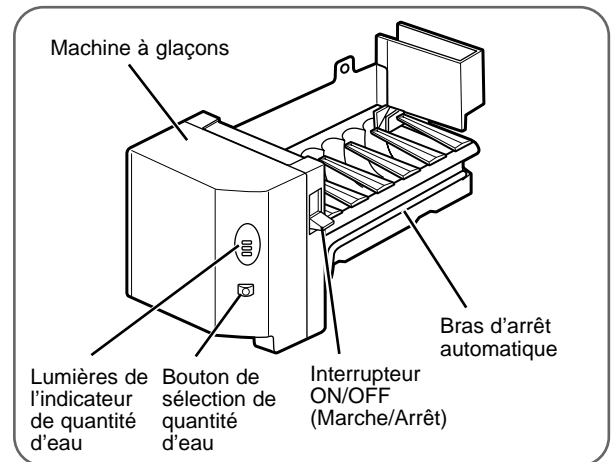
## ⚠ MISE EN GARDE

- La première production de glace et d'eau peut contenir des particules ou des odeurs provenant de la conduite d'eau ou du réservoir.
- Jetez les premiers lots de glace (environ 20 glaçons) et vidangez environ les premières 6~7 verres d'eau du distributeur après l'installation du réfrigérateur.
- Cette précaution s'impose également si le réfrigérateur n'a pas servi depuis longtemps.
- Ne rangez jamais de cannettes de boissons ou autres aliments dans le récipient d'accumulation de glace pour les refroidir plus rapidement. Vous pourriez endommager la machine à glaçons ou faire éclater les contenants.
- Si la couleur de la glace est douteuse, vérifiez le filtre à eau et l'alimentation d'eau. Si le problème persiste, communiquez avec un centre de service autorisé. N'utilisez pas de glace ni d'eau tant que le problème n'est pas corrigé.
- Gardez les enfants à l'écart du distributeur. Ils pourraient jouer avec les commandes et les endommager.
- Le givre peut aussi obstruer le passage de la glace si l'on utilise uniquement de la glace broyée. Enlevez le givre qui s'accumule à cet endroit.

## ⚠ AVERTISSEMENT

### Risque de blessures corporelles

- Évitez de toucher à l'élément chauffant ou aux pièces mobiles du mécanisme d'éjection de la machine à glaçons. NE mettez PAS les doigts ou les mains dans le mécanisme de la machine à glaçons automatique si le réfrigérateur est branché.



**REMARQUE :** Le soulèvement du bras d'arrêt automatique n'interrompt pas le fonctionnement de la machine à glaçons.

- N'utilisez jamais de la verrerie de cristal ou de la vaisselle fragile pour recueillir la glace. Ces contenants sont susceptibles de se briser et des éclats peuvent se retrouver dans la glace.
- Mettez d'abord la glace dans le verre avant de le remplir d'eau ou d'une autre boisson. La glace risque de vous éclabousser si du liquide s'y trouve déjà.
- N'utilisez jamais un verre très étroit ou profond. La glace peut se coincer, obstruer le passage et affecter le fonctionnement du réfrigérateur.
- Gardez le verre à une distance suffisante du bec verseur. Une distance trop courte peut empêcher la glace de tomber.
- Pour prévenir les blessures corporelles, gardez les mains à l'écart de la porte et du passage de la glace.
- N'enlevez jamais le couvercle de la machine à glaçons.
- Si vous constatez que l'eau ou la glace est distribuée d'une façon imprévue, communiquez avec un centre de service autorisé. Composez le **1-800-243-0000** (24 heures par jour/7 jours par semaine), puis choisissez l'option de localisation d'un centre de service autorisé.

# UTILISATION DU RÉFRIGÉRATEUR

## COMMANDE D'HUMIDITÉ DU BAC À LÉGUMES OPTIBIN™

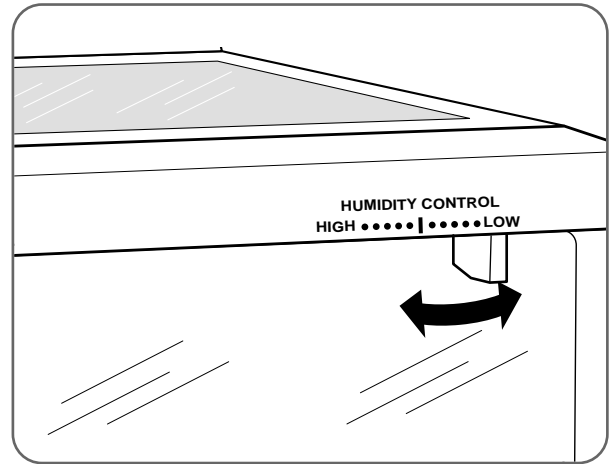
Grâce au réglage facile de l'humidité à l'intérieur des bacs à légumes OptiBin, vous êtes assuré de conserver plus fraîche la saveur des fruits et les légumes.

Les Bacs Optibin incluent une poignée de contrôle d'humidité placée sur le front de leur couverture.

Vous pouvez contrôler le degré d'humidité dans ces bacs étanches. Séparez les fruits et légumes dans des bacs différents selon leur besoin en humidité. Ajustez le contrôle à quelque position entre les lettres marquant High et Low.

Un degré d'humidité moindre laisse l'air humide s'échapper du bac pour une meilleure conservation des fruits.

Une degré d'humidité plus élevé garde l'air humide dans le bac pour une conservation optimale des légumes frais et des légumes-feuilles.



## CONSERVATION DES ALIMENTS

- Entrez les aliments frais dans le compartiment réfrigérateur.
- La façon dont les aliments sont congelés et décongelés constitue un facteur important de préservation de la fraîcheur et de la saveur.
- N'entrez pas les aliments qui se gâtent facilement, tels les bananes et melons, à de basses températures.
- Laissez refroidir les aliments chauds avant de les entreposer, sinon ils présentent un risque de gâter les autres aliments et d'augmenter la consommation d'électricité.
- Recouvrez les aliments que vous entreposez d'une pellicule de plastique ou placez-les dans un contenant muni d'un couvercle. En empêchant ainsi l'humidité de s'évaporer, les aliments conserveront davantage leur saveur et leur valeur nutritive.
- Ne bloquez pas les ouvertures d'aération avec des aliments ou des contenants. La libre circulation d'air froid contribue à uniformiser la température.
- N'ouvrez pas les portes trop fréquemment. L'ouverture des portes fait pénétrer de l'air chaud dans les compartiments réfrigérateur et congélateur et entraîne ainsi une élévation de la température.
- Ne surchargez jamais les balconnets de contre-porte, car les articles risquent de percuter les clayettes à l'intérieur et ainsi empêcher les portes de fermer correctement.

### Compartiment congélateur

- N'entrez pas de bouteilles de verre dans le compartiment congélateur puisque le verre risque d'éclater quand le contenu gèle.
- Ne recongelez pas les aliments décongelés car une perte de saveur et de valeurs nutritives s'en suivrait.
- Ne touchez pas avec les mains mouillées aux contenants froids, en particulier s'ils sont faits de métal, ni aux aliments congelés; ne placez pas d'articles en verre dans le compartiment congélateur.
- Ne vous servez pas du casier à oeufs comme d'un bac à glace dans le congélateur, car il pourrait se briser facilement une fois gelé.

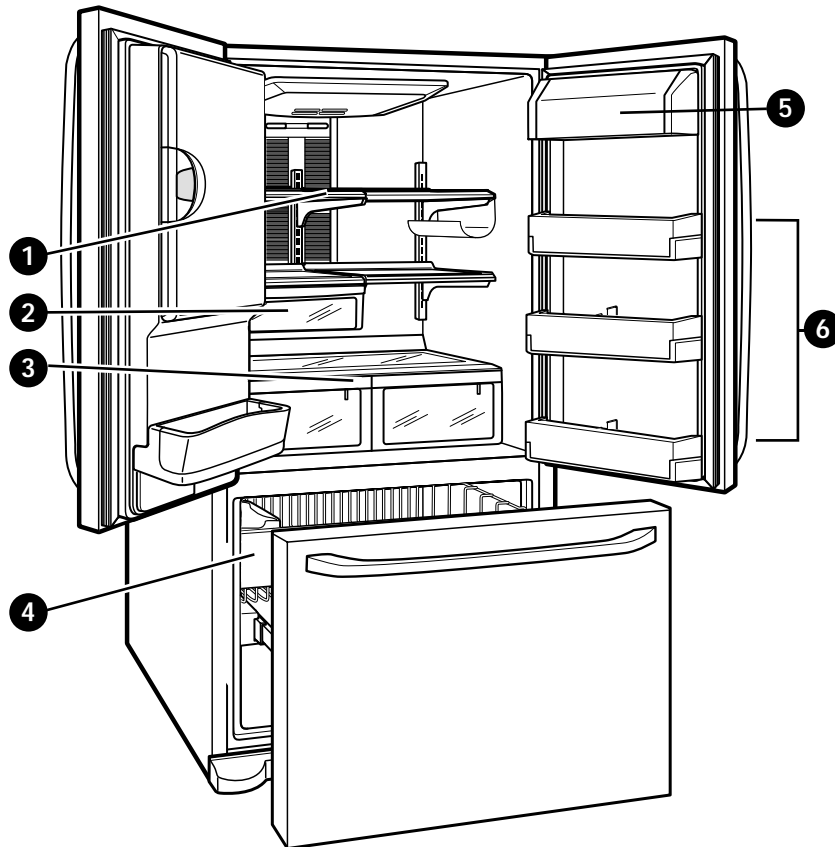
### Compartiment réfrigérateur

- Évitez de placer des aliments humides sur les clayettes supérieures du réfrigérateur; ces aliments pourraient geler au contact direct de l'air froid.
- Lavez toujours les aliments avant de les réfrigérer. Lavez et essuyez les légumes et les fruits et essuyez les aliments emballés pour éviter de gâter les aliments adjacents.

**REMARQUE :** Si le réfrigérateur est situé dans un endroit chaud et humide, l'ouverture fréquente des portes ou l'entreposage d'une grande quantité de légumes entraînera la formation de condensation. Essayez cette condensation à l'aide d'un linge propre ou d'une serviette de papier.

# UTILISATION DU RÉFRIGÉRATEUR

## RANGEMENT DES ALIMENTS



### ❶ CLAYETTE DU COMPARTIMENT CONGÉLATEUR

Reçoit les aliments, plats, et contenants plus volumineux sur les clayettes réglables du compartiment réfrigérateur.

### ❷ SNACK PAN

Reçoit de petits aliments comme le pain et les grignotines.

### ❸ Bacs à légumes

Reçoit des fruits et légumes, avec contrôle de l'humidité.

### ❹ TIROIR DU COMPARTIMENT CONGÉLATEUR

Reçoit les aliments congelés en petits emballages ainsi que la viande, le poisson, et la volaille une fois qu'ils ont été enveloppés dans une mince feuille d'aluminium. Entrez les aliments à l'état sec.

### ❺ BALCONNET DES PRODUITS LAITIERS

Reçoit des produits laitiers comme le beurre et le fromage.

### ❻ BALCONNETS MODULAIRES DU COMPARTIMENT RÉFRIGÉRATEUR

Reçoivent des petits emballages et breuvages tels que condiments, sauces pour salade, aliments pour bébés, lait et jus.



# UTILISATION DU RÉFRIGÉRATEUR

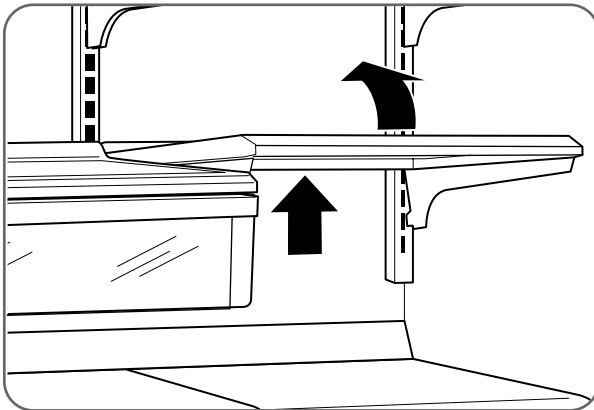
## RÉGLAGE DE LA HAUTEUR DES CLAYETTES

Les clayettes de votre réfrigérateur sont réglables afin de s'adapter à vos besoins. Votre modèle peut être équipé de clayettes en verre ou en treillis.

Le rangement d'articles similaires au même endroit et le réglage en hauteur des clayettes faciliteront le repérage de l'article particulier dont vous avez besoin et réduiront le temps d'ouverture des portes, abaissant ainsi votre consommation d'énergie.

**IMPORTANT :** Ne nettoyez pas les clayettes en verre avec de l'eau chaude lorsqu'elles sont froides. Elles pourraient se briser suite à un brusque changement de température ou un impact, par exemple en s'y cognant. Pour votre protection, ces clayettes sont faites de verre trempé qui se brisera en petits morceaux de la taille d'un caillou.

### Enlèvement d'une clayette



Soulevez l'avant de la clayette. Soulevez ensuite l'arrière et tirez pour la sortir.

**REMARQUE :** Les clayettes en verre sont lourdes. Retirez-les avec précaution pour éviter de les échapper.

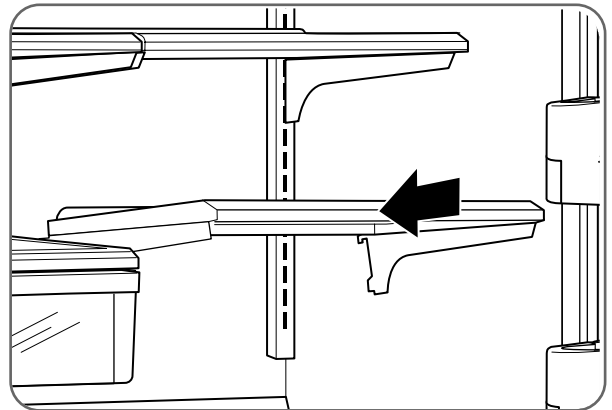
### Positionnement des clayettes

Retirez les clayettes de leur position initiale à la livraison et disposez-les selon vos besoins.

## ⚠ MISE EN GARDE

Assurez-vous que les deux côtés des clayettes sont au même niveau pour éviter qu'elles ne tombent ou que des aliments se renversent.

### Remise en place de la clayette



Soulevez l'avant de la clayette et placez ses crochets dans les fentes à la hauteur voulue. Abaissez ensuite l'avant de la clayette de façon à ce que les crochets tombent dans les fentes.

# ENTRETIEN ET NETTOYAGE

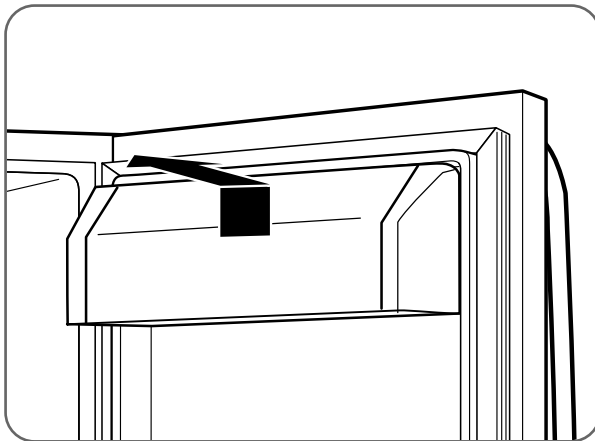
## ENLÈVEMENT ET REMISE EN PLACE DES COMPOSANTS

**REMARQUE :** Lors de la remise en place des composants, inversez l'ordre suivi pour l'enlèvement. Afin de prévenir les dommages, n'utilisez jamais de force excessive lors de l'enlèvement ou de la remise en place de composants.

## ⚠ MISE EN GARDE

- Des blessures corporelles peuvent résulter de balconnets qui ne sont pas assemblés correctement.  
**REMARQUE :** N'ajustez PAS un balconnet chargé.
- NE permettez PAS aux enfants de jouer avec les paniers. Les coins pointus des paniers peuvent les blesser.

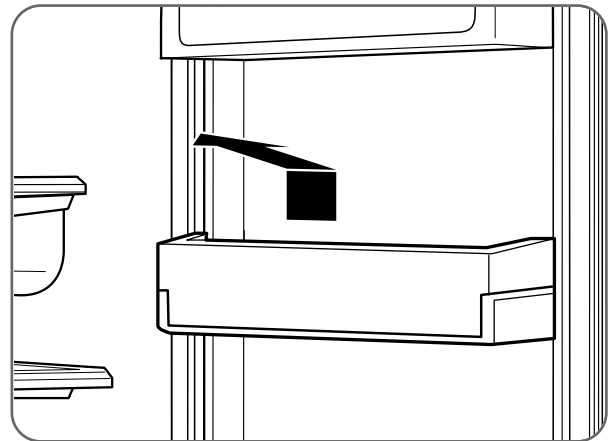
### Balconnet des produits laitiers



Pour enlever le balconnet des produits laitiers, vous n'avez qu'à le soulever et le tirer en ligne droite. Pour le replacer, glissez-le en place et poussez par en bas jusqu'à ce qu'il s'immobilise.

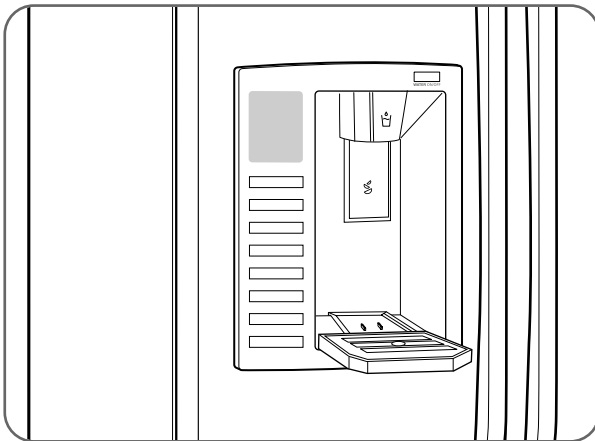
**REMARQUE :** Le balconnet des produits laitiers ne peut se placer que dans la zone supérieure de la contre-porte de droite.

### Balconnet modulaire

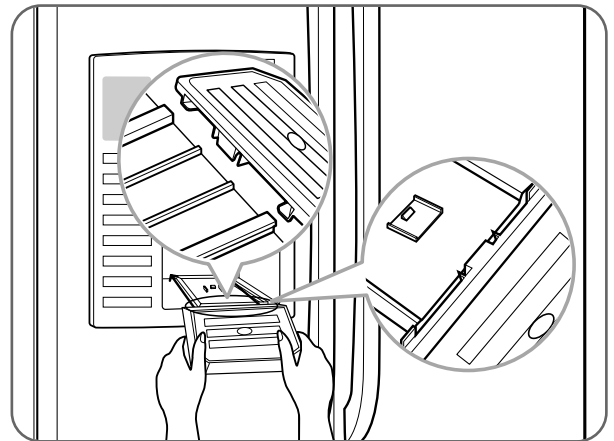


Les balconnets sont amovibles pour faciliter le nettoyage et l'ajustement. Soulevez simplement le balconnet et tirez-le en ligne droite pour l'enlever. Pour le replacer, glissez-le au-dessus du bouton de support voulu, puis poussez-le vers le bas jusqu'à ce qu'il s'immobilise.

### Plateau d'égouttage du distributeur

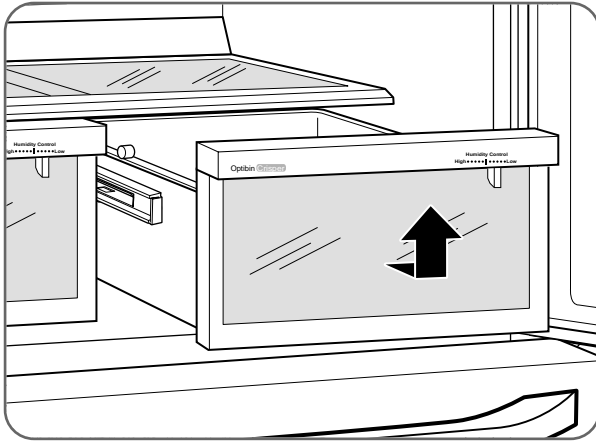


Le plateau d'é gouttage du distributeur ne se draine pas de lui-même. Il doit donc être nettoyé régulièrement. Retirez le couvercle en appuyant et tirant sur le plateau. Asséchez le plateau avec un chiffon. Pour remettre le plateau en place, penchez légèrement sa partie avant et engagez les nervures dans les orifices.



## ENLÈVEMENT ET REMISE EN PLACE DES COMPOSANTS (SUITE)

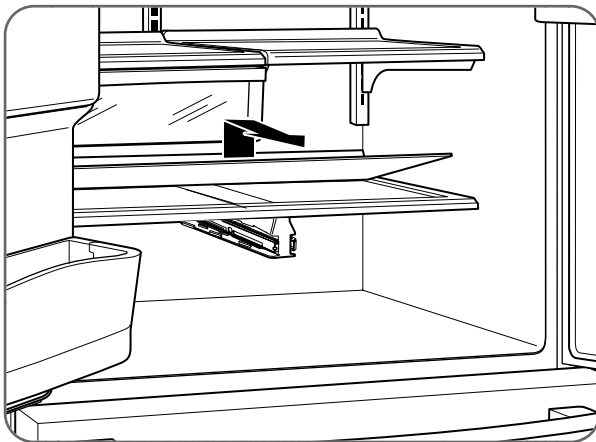
### Le Bac à Légumes OptiBin™



Pour enlever un bac à légumes, tirez-le vers l'extérieur jusqu'à sa pleine extension.

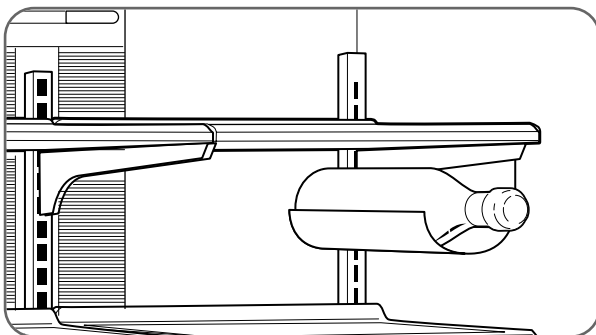
Soulevez l'avant du bac à légumes puis tirez le bac en ligne droite pour le sortir.

### Enlèvement des bacs à légumes OptiBin™ (suite)

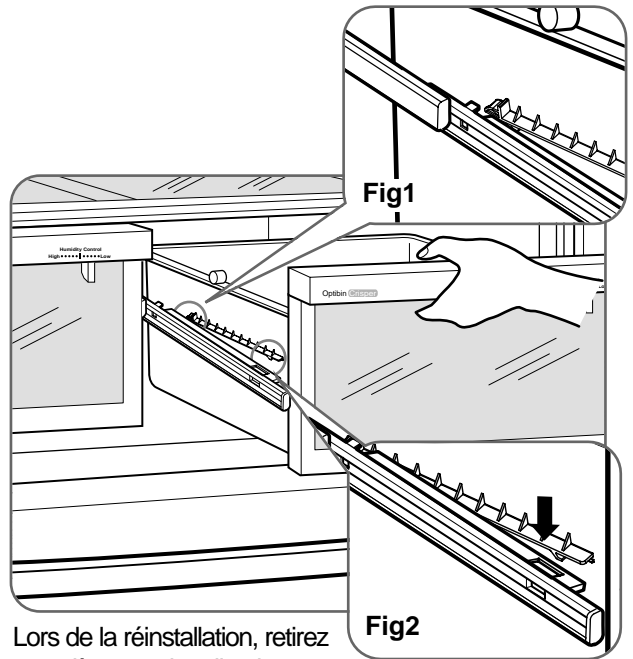


Pour retirer la vitre protectrice du bac, passez sous cette vitre et soulevez-la. Soulevez et retirez la vitre du bac.

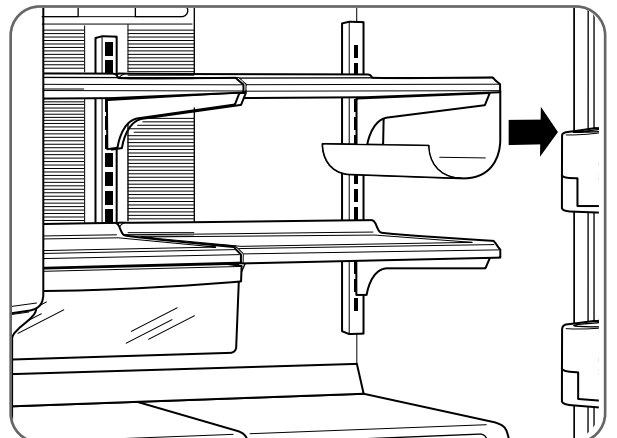
### Porte-bouteilles



Le porte-bouteilles reçoit les bouteilles en position horizontale. Il se fixe à n'importe quelle clayette.



Lors de la réinstallation, retirez complètement le rail puis assemblez le crochet 1 comme le montre l'image 1 et le crochet 2 comme le montre l'image 2.



Pour enlever le porte-bouteilles, tirez-le en ligne droite pour le dégager de la clayette. Pour l'installer, placez-le à l'extrémité de la clayette choisie, puis poussez-le en droite ligne jusqu'à sa position.

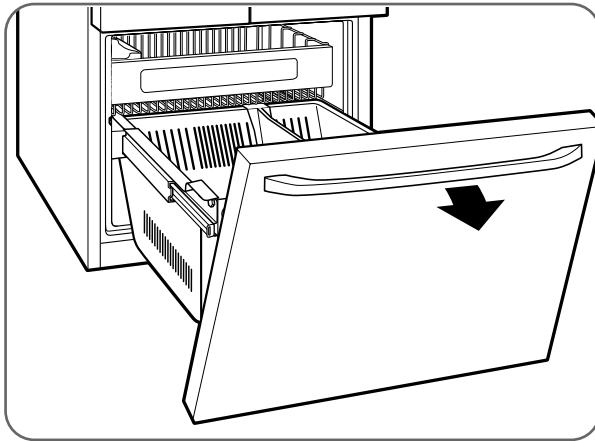
# ENTRETIEN ET NETTOYAGE

## ENLÈVEMENT ET REMISE EN PLACE DES COMPOSANTS (SUITE)

### ⚠ MISE EN GARDE

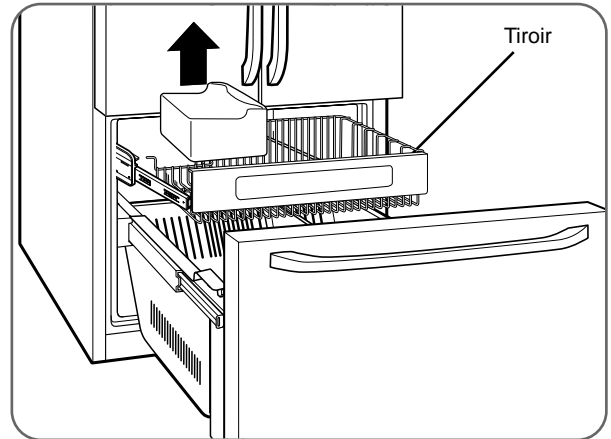
- Risque de coincement ! Gardez les mains et les pieds à l'écart du bas de la porte lors de l'ouverture et de la fermeture.

#### Porte à bascule du congélateur



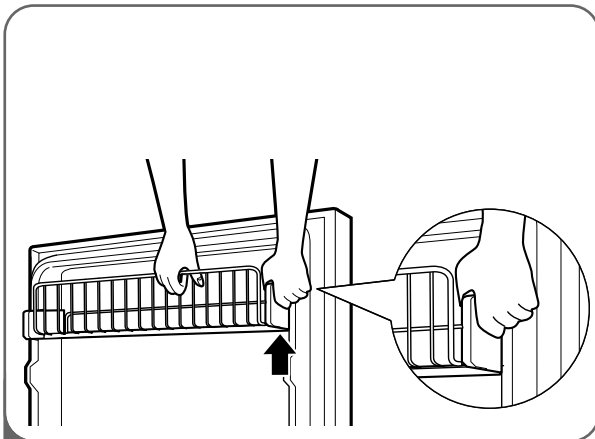
Pour accéder au compartiment congélateur, penchez la porte vers le bas puis tirez-la vers l'extérieur à sa pleine extension.

#### Bac à glace

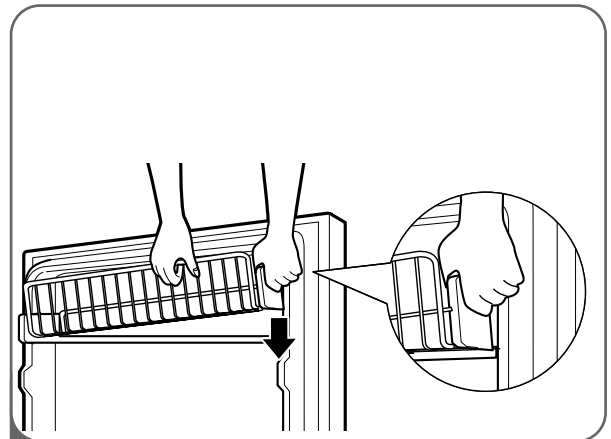


Pour dégager le bac à glace, tirez le tiroir vers l'extérieur à sa pleine extension. En procédant délicatement, soulevez puis tirez le bac à glace pour le sortir. Pour le remettre en place, placez simplement le bac dans la position correcte.

#### Panier à bascule de contre-porte



1 Pour enlever le panier à bascule de contre-porte, pressez le support d'extrémité vers l'intérieur, puis tirez sur le bord du panier vers le haut pour le sortir.



2 Pour replacer le panier à bascule, insérez le support sur un côté puis accrochez une extrémité du panier dans le support.

Accrochez ensuite l'autre extrémité du panier dans l'autre support, puis poussez le support en place vers le bas.

**REMARQUE :** Assurez-vous que l'arrière du panier est placé derrière la languette de retenue de chaque support.

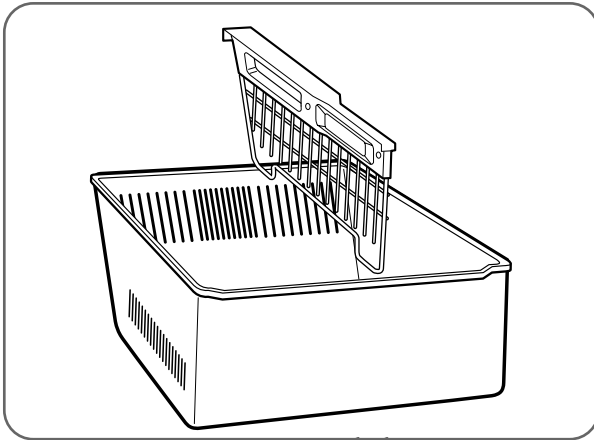
## ENLÈVEMENT ET REMISE EN PLACE DES COMPOSANTS (SUITE)

### **⚠️ AVERTISSEMENT**

#### **Risque de piégeage des enfants**

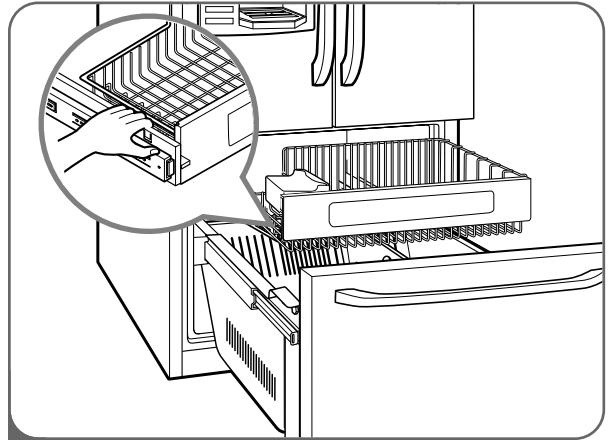
- Les enfants peuvent ramper dans le tiroir du congélateur lorsque le diviseur du tiroir est enlevé.

#### **Diviseur DuraBase®**

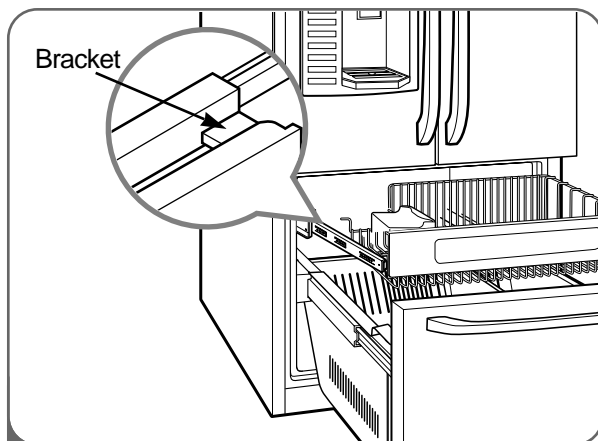


Le diviseur sépare la zone DuraBase en sections. Tirez le diviseur vers le haut en ligne droite pour le retirer. Pour le remettre en place, accrochez les coins supérieurs du diviseur par-dessus le bord supérieur du DuraBase.

#### **Tiroir amovible**



- 1 Pour retirer le tiroir, poussez les loquets situés à l'avant de chaque rail. Puis, soulevez légèrement l'arrière du tiroir et retirez-le.



- 2 Pour le réinstaller, tirez les deux rails à fond. Insérez le bout de la nervure dans le bras gauche et droit.

Assurez-vous que les guides de l'avant sont correctement alignés, et poussez légèrement les deux côtés vers le bas.

## NETTOYAGE DU RÉFRIGÉRATEUR

### **⚠️ AVERTISSEMENT :**

#### Risque d'explosion

- Utilisez un nettoyeur qui n'est pas inflammable.
- L'omission d'observer cette directive peut entraîner le décès, une explosion, ou un incendie.

Les compartiments réfrigérateur et congélateur se dégivrent automatiquement. Cependant, nettoyez ces deux compartiments une fois par mois pour prévenir les odeurs. Nettoyez les déversements immédiatement.

- Débranchez le réfrigérateur ou coupez l'alimentation électrique.
- Enlevez les composants amovibles comme les clayettes et les bacs à légumes.
- Utilisez une éponge ou un linge doux propre imbibé d'un mélange d'eau chaude et de détergent doux. N'utilisez pas de nettoyeurs abrasifs ni corrosifs.
- Lavez à la main, rincez, puis asséchez complètement toutes les surfaces.
- Rebranchez le réfrigérateur ou rétablissez l'alimentation électrique.

**REMARQUE :** Les vaporisateurs pour fenêtres, les nettoyeurs abrasifs, ou les liquides inflammables peuvent égratigner ou endommager les couvercles et panneaux de plastique.

### Nettoyage de l'extérieur

Dans le cas de modèles à carrosserie en acier inoxydable, procurez-vous dans le commerce un nettoyeur spécialement conçu pour ce matériau et observez les directives du fabricant. Vous pouvez aussi utiliser une éponge ou un chiffon doux propre, imbibé d'un mélange d'eau chaude et de détergent doux. N'utilisez pas de nettoyeurs abrasifs ni corrosifs. Asséchez à fond à l'aide d'un chiffon doux.

**IMPORTANT :** N'utilisez pas de cires nettoyantes, de détergents concentrés, ni de produits nettoyeurs qui contiennent du pétrole sur les pièces en plastique du réfrigérateur comme les contre-portes ou les joints d'é tanchéité.

### Entretien et nettoyage de l'intérieur

**REMARQUE :** Laissez le congélateur se réchauffer pour éviter que le chiffon de nettoyage ne colle aux parois.

Pour éliminer les odeurs, vous pouvez laver l'intérieur du réfrigérateur à l'aide d'un mélange de bicarbonate de soude et d'eau chaude. Mélangez 2 cuillerées à table de bicarbonate de soude dans 1 pinte d'eau (26 g de bicarbonate de soude dans 1 L d'eau). Assurez-vous de dissoudre totalement le bicarbonate de soude pour éviter son action abrasive qui peut égratigner le réfrigérateur.

**IMPORTANT :** N'utilisez pas un pistolet arrosoir pour nettoyer l'intérieur.

## RENSEIGNEMENTS GÉNÉRAUX

### Remisage

Lors de vacances de moyenne durée, vous voudrez sans doute maintenir votre réfrigérateur en fonction. Placez les articles congelables dans le congélateur pour prolonger leur durée.

Si vous prévoyez remettre le réfrigérateur, retirez-en tous les aliments, débranchez le cordon d'alimentation, nettoyez l'intérieur à fond, et bloquez les portes en position ouverte pour prévenir les moisissures. Faites en sorte que le réfrigérateur ne présente pas un risque de piégeage des enfants.

### Déplacement

Videz le réfrigérateur si vous devez le déplacer sur une bonne distance (généralement inutile s'il s'agit simplement de le tirer pour nettoyer l'arrière). Laissez le réfrigérateur atteindre la température ambiante, puis asséchez l'intérieur avant de fermer les portes en vue de le transporter. Vissez complètement les pattes de nivellement contre la base pour éviter de les endommager.

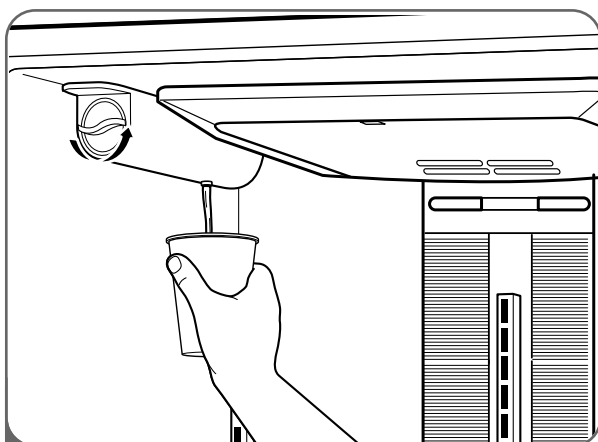
### Pannes de courant

La plupart des pannes de courant qui ne durent qu'une heure ou deux n'affecteront pas les températures de votre réfrigérateur. Vous devriez cependant réduire la fréquence d'ouverture des portes au minimum durant ces événements.

Lors d'une coupure de courant, de l'eau peut s'échapper du récipient d'accumulation de glace et du bac à glace. Pour prévenir cette situation, retirez le récipient et le bac, jetez la glace, asséchez le récipient et le bac à l'aide d'une serviette, et remettez-les en place.

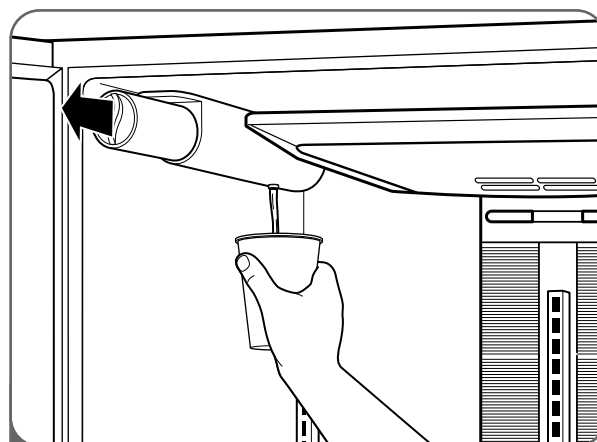
## REPLACEMENT DU FILTRE À EAU

Il est recommandé de remplacer le filtre lorsque l'indicateur de filtre atteint 0 ou lorsque le distributeur d'eau ou la machine à glaçons diminuent sensiblement leur production.

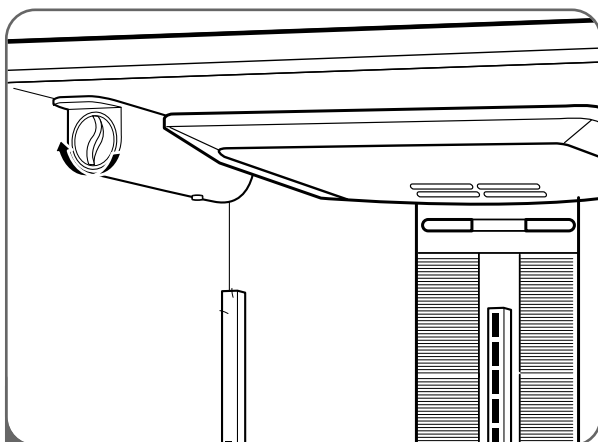


1 Tournez le bouton de la cartouche de filtre usée dans le sens antihoraire. Vous sentirez une détente lors du dégagement de la cartouche.

**REMARQUE :** Une petite quantité d'eau (environ 1 oz ou 25 cc) se drainera lors du remplacement du filtre. Placez une tasse sous le filtre pour recueillir cette eau.



2 Enlevez la cartouche usée. Déballez la nouvelle cartouche de filtre et retirez le capuchon protecteur des joints toriques. Tenez la poignée de la cartouche dans la position horizontale, puis poussez la nouvelle cartouche en place jusqu'à ce qu'elle s'immobilise.



3 Utilisez la poignée pour faire pivoter la cartouche dans le sens horaire d'un quart de tour jusqu'à ce que la poignée se retrouve à l'horizontale. Vous sentirez le filtre s'encliquer en place.

**REMARQUE :** Un filtre qui ne peut tourner d'un côté à l'autre n'est pas engagé à fond.

Une fois le filtre remplacé, versez 6 ou 7 verres d'eau du distributeur pour drainer le système. Vérifiez le filtre pour la présence de fuites.

FILTER **8** HOLD 3 SECS  
MONTH

Lorsque l'indicateur du filtre à eau affiche le message « 0 Filter Month, Hold 3 Seconds » (0 mois de filtrage, presser pendant 8 secondes), maintenez une pression sur la touche LIGHT/FILTER (Lampe/Filtre) pendant plus de 3 secondes pour réinitialiser l'affichage de l'état du filtre et le témoin lumineux.

**REMARQUE :** Pour vous procurer des cartouches de filtre à eau, rendez-vous chez votre concessionnaire d'électroménagers ou distributeur de pièces de rechange local. Vous pouvez aussi visiter notre site Web : [www.lgappliances.com](http://www.lgappliances.com) ou composer le **1-877-714-7486**. Le numéro de pièce de la cartouche de filtre à eau de rechange est 5231JA2006A.

## AVANT DE FAIRE UN APPEL DE SERVICE

Avant de faire un appel de service, consultez cette liste. Vous pourriez ainsi économiser temps et argent. La liste énumère des situations fréquentes qui ne sont pas attribuables à des vices de matière ou de fabrication.

Problème	Causes probables	Solutions
<b>Le compresseur du réfrigérateur ne fonctionne pas.</b>	<ul style="list-style-type: none"> <li>• La commande du réfrigérateur est à OFF (Arrêt).</li> <li>• Le réfrigérateur est dans un cycle de dégivrage.</li> <li>• La fiche n'est pas branchée dans la prise murale.</li> <li>• Panne de courant. Vérifiez l'éclairage du domicile.</li> </ul>	<ul style="list-style-type: none"> <li>• Réglez la commande du réfrigérateur.</li> <li>• Ceci est normal pour un réfrigérateur doté d'une fonction de dégivrage entièrement automatique.</li> <li>• Assurez-vous que la fiche est insérée à fond dans la prise.</li> <li>• Communiquez avec la compagnie d'électricité.</li> </ul>
<b>Le réfrigérateur fonctionne trop fréquemment ou trop longtemps.</b>	<ul style="list-style-type: none"> <li>• Ce réfrigérateur est plus gros que celui que vous possédiez avant.</li> <li>• La température de la pièce ou extérieure est élevée.</li> <li>• Le réfrigérateur a récemment été débranché pendant un certain temps.</li> <li>• Une grande quantité d'aliments chauds a récemment été rangée.</li> <li>• Les portes ont été ouvertes trop fréquemment ou trop longtemps.</li> <li>• La porte du compartiment réfrigérateur ou congélateur est entrouverte.</li> <li>• Le réfrigérateur est réglé à une température trop froide.</li> <li>• Le joint d'étanchéité du réfrigérateur ou congélateur est sale, usé, craquelé, ou mal posé.</li> </ul>	<ul style="list-style-type: none"> <li>• C'est normal. Les appareils plus volumineux, plus efficaces, fonctionnent plus longtemps.</li> <li>• Il est normal que le réfrigérateur fonctionne plus longtemps dans ces conditions.</li> <li>• Le réfrigérateur prend quelques heures pour atteindre les températures de refroidissement.</li> <li>• Les aliments chauds font que le réfrigérateur prend plus de temps pour atteindre la température choisie.</li> <li>• L'air chaud qui pénètre dans le réfrigérateur prolonge son fonctionnement. Ouvrez les portes moins souvent.</li> <li>• Assurez-vous que le réfrigérateur est de niveau. Ne laissez pas des aliments ou contenants bloquer les portes.</li> <li>• Réglez le réfrigérateur à une température plus basse jusqu'à obtenir satisfaction.</li> <li>• Nettoyez ou changez le joint d'étanchéité. Un joint qui fuit oblige le réfrigérateur à fonctionner plus longtemps pour maintenir la température voulue.</li> </ul>
<b>Le compresseur du réfrigérateur effectue des cycles d'arrêt et de redémarrage.</b>	<ul style="list-style-type: none"> <li>• Le thermostat garde constante la température du réfrigérateur.</li> </ul>	<ul style="list-style-type: none"> <li>• Ceci est normal. Le réfrigérateur effectue des cycles d'arrêt et de redémarrage pour garder la température constante.</li> </ul>
<b>La température du congélateur est trop froide, mais celle du réfrigérateur est satisfaisante.</b>	<ul style="list-style-type: none"> <li>• La commande du congélateur est réglée à une température trop froide.</li> </ul>	<ul style="list-style-type: none"> <li>• Réglez la commande du congélateur à une température plus chaude jusqu'à obtenir satisfaction.</li> </ul>
<b>La température du réfrigérateur est trop froide, mais celle du congélateur est satisfaisante.</b>	<ul style="list-style-type: none"> <li>• La commande du réfrigérateur est réglée à une température trop froide.</li> </ul>	<ul style="list-style-type: none"> <li>• Réglez la commande du réfrigérateur à une température plus chaude.</li> </ul>



## AVANT DE FAIRE UN APPEL DE SERVICE (SUITE)

Problème	Causes probables	Solutions
<b>Les aliments rangés dans les tiroirs gèlent.</b>	<ul style="list-style-type: none"> <li>• La commande du réfrigérateur est réglée à une température trop froide.</li> </ul>	<ul style="list-style-type: none"> <li>• Réglez le réfrigérateur à une température plus basse.</li> </ul>
<b>La température du réfrigérateur ou du congélateur est trop chaude.</b>	<ul style="list-style-type: none"> <li>• La commande du réfrigérateur ou du congélateur est réglée à une température trop chaude.</li> <li>• Les portes sont ouvertes trop fréquemment ou trop longtemps.</li> <li>• La porte est entrouverte.</li> <li>• Une grande quantité d'aliments chauds a récemment été rangée.</li> <li>• Le réfrigérateur a récemment été débranché pendant un certain temps.</li> </ul>	<ul style="list-style-type: none"> <li>• Réglez la commande du congélateur ou du réfrigérateur à une température plus froide jusqu'à obtenir satisfaction.</li> <li>• De l'air chaud pénètre dans le réfrigérateur ou le congélateur dès qu'une porte s'ouvre. Ouvrez les portes moins souvent.</li> <li>• Fermez la porte complètement.</li> <li>• Laissez au réfrigérateur ou congélateur le temps de refroidir les aliments à la température choisie.</li> <li>• Le réfrigérateur prend quelques heures pour atteindre les températures choisies.</li> </ul>
<p><b>La température du réfrigérateur est trop chaude, mais celle du congélateur est satisfaisante.</b></p> <p><b>Le compresseur fait plus de bruit au démarrage.</b></p>	<ul style="list-style-type: none"> <li>• La commande du réfrigérateur est réglée à une température trop chaude.</li> <li>• Le réfrigérateur fonctionne à des pressions plus élevées lors du démarrage.</li> </ul>	<ul style="list-style-type: none"> <li>• Réglez la commande du réfrigérateur à une température plus froide.</li> <li>• Ceci est normal.</li> </ul>
<b>Des vibrations ou des cliquetis se font entendre.</b>	<ul style="list-style-type: none"> <li>• Le plancher n'est pas égal ou supporte mal la charge. Le réfrigérateur se balance contre le plancher quand on le pousse.</li> <li>• Les articles placés sur le dessus du réfrigérateur vibrent.</li> <li>• Les assiettes placées sur les clayettes du réfrigérateur vibrent.</li> <li>• Le réfrigérateur touche au mur ou aux armoires.</li> </ul>	<ul style="list-style-type: none"> <li>• Assurez-vous que le plancher est de niveau et suffisamment solide pour supporter le réfrigérateur.</li> <li>• Retirez les articles.</li> <li>• Il est normal que les assiettes vibrent un peu. Déplacez-les légèrement. Assurez-vous que le réfrigérateur est de niveau et qu'il repose solidement sur le plancher.</li> <li>• Déplacez le réfrigérateur de façon à ce qu'il ne touche plus au mur.</li> </ul>
<p><b>De la condensation se forme sur les parois internes du réfrigérateur.</b></p> <p><b>De la condensation se forme sur les parois externes du réfrigérateur ou entre les portes.</b></p>	<ul style="list-style-type: none"> <li>• Le temps est chaud et humide, ce qui accélère l'accumulation de givre et la condensation interne.</li> <li>• La porte est entrouverte.</li> <li>• La porte s'ouvre trop souvent ou trop longtemps.</li> <li>• Le temps est humide.</li> <li>• La porte est entrouverte.</li> </ul>	<ul style="list-style-type: none"> <li>• Ceci est normal.</li> <li>• Fermez la porte.</li> <li>• Ouvrez la porte moins souvent.</li> <li>• Ceci est normal lorsque le temps est humide. La condensation devrait disparaître à mesure que l'humidité se dissipe.</li> <li>• Fermez la porte complètement.</li> </ul>

## AVANT DE FAIRE UN APPEL DE SERVICE (SUITE)

Problème	Causes probables	Solutions
<b>De la condensation se forme sur le distributeur.</b>	<ul style="list-style-type: none"> <li>De la condensation peut se produire lorsque la température ou l'humidité est élevée.</li> </ul>	<ul style="list-style-type: none"> <li>Essuyez la condensation.</li> </ul>
<b>Des odeurs dans le réfrigérateur.</b>	<ul style="list-style-type: none"> <li>L'intérieur a besoin d'être nettoyé.</li> <li>Des aliments dégagant de fortes odeurs se trouvent dans le réfrigérateur.</li> <li>Certains contenants ou emballages dégagent des odeurs.</li> </ul>	<ul style="list-style-type: none"> <li>Nettoyez l'intérieur avec une éponge, de l'eau chaude, et du bicarbonate de soude. Assurez-vous de dissoudre totalement le bicarbonate de soude pour éviter son action abrasive.</li> <li>Enveloppez complètement les aliments.</li> <li>Utilisez un autre contenant ou marque de pellicule d'emballage.</li> </ul>
<b>La ou les portes ne ferment pas.</b>	<ul style="list-style-type: none"> <li>Un emballage d'aliment empêche la fermeture de la porte.</li> <li>Une porte s'est entrouverte lorsqu'une autre a été fermée trop brusquement.</li> <li>Le réfrigérateur n'est pas de niveau. Il se balance contre le plancher quand on le pousse.</li> <li>Le plancher n'est pas égal ou supporte mal la charge. Le réfrigérateur se balance contre le plancher quand on le pousse.</li> <li>Le réfrigérateur touche au mur ou aux armoires.</li> </ul>	<ul style="list-style-type: none"> <li>Déplacez les emballages qui nuisent à la fermeture de la porte.</li> <li>Fermez les portes délicatement.</li> <li>Réglez les vis de nivellement.</li> <li>Assurez-vous que le plancher est égal et peut supporter le réfrigérateur. Contactez un menuisier pour corriger le fléchissement ou l'inclinaison du plancher.</li> <li>Déplacez le réfrigérateur.</li> </ul>
<b>Les tiroirs sont difficiles à déplacer.</b>	<ul style="list-style-type: none"> <li>Des aliments touchent à la clayette au-dessus du tiroir.</li> <li>Les rails du tiroir sont encrassés.</li> </ul>	<ul style="list-style-type: none"> <li>Gardez moins d'aliments dans le tiroir.</li> <li>Nettoyez le tiroir et les rails.</li> </ul>
<b>Le distributeur ne fournit pas d'eau.</b>	<ul style="list-style-type: none"> <li>L'eau a séjourné trop longtemps dans le réservoir.</li> <li>L'électroménager n'est pas correctement raccordé à la conduite d'eau froide.</li> </ul>	<ul style="list-style-type: none"> <li>Remplissez puis jetez 7 verres d'eau pour rafraîchir le contenu. Remplissez puis jetez 7 autres verres d'eau pour rincer complètement le réservoir.</li> <li>Raccordez l'électroménager à la conduite d'eau froide qui alimente le robinet de la cuisine.</li> </ul>
<b>Le goût et/ou l'odeur de l'eau est douteuse.</b>	<ul style="list-style-type: none"> <li>Le robinet de la conduite d'eau du domicile n'est pas ouvert.</li> <li>La porte du réfrigérateur ou du congélateur n'est pas fermée.</li> </ul>	<ul style="list-style-type: none"> <li>Ouvrez le robinet de la conduite d'eau du domicile.</li> <li>Assurez-vous que les deux portes sont fermées.</li> </ul>

## BEFORE CALLING FOR SERVICE (CONT.)

Problème	Causes probables	Solutions
<b>Le distributeur ne fournit pas de glace.</b>	<ul style="list-style-type: none"> <li>• Le bac à glace est vide.</li> <li>• Le robinet de la conduite d'eau du domicile n'est pas ouvert.</li> <li>• La porte du réfrigérateur ou du congélateur n'est pas fermée.</li> <li>• La glace a fondu puis regelé autour de la vis sans fin à cause de la fréquence d'utilisation, des variations de température, et/ou de pannes de courant.</li> <li>• Les glaçons sont bloqués entre le bras de la machine à glaçons et l'arrière du bac à glace.</li> <li>• Les glaçons sont soudés les uns aux autres.</li> <li>• Des glaçons provenant d'ailleurs ou fabriqués autrement ont été utilisés dans le distributeur.</li> </ul>	<ul style="list-style-type: none"> <li>• Le distributeur devrait fonctionner une fois que le premier lot de glace est tombé dans le bac.</li> <li>• Ouvrez le robinet de la conduite d'eau du domicile et laissez à la glace le temps de se former. Le distributeur devrait fonctionner lorsque la glace est prête.</li> <li>• Assurez-vous que les deux portes sont fermées.</li> <li>• Retirez le bac à glace et faites fondre son contenu. Nettoyez le bac, asséchez-le, puis remettez-le en place. Le distributeur devrait fonctionner dès que de la nouvelle glace est prête.</li> <li>• Retirez les glaçons qui bloquent le distributeur.</li> <li>• Utilisez le distributeur plus souvent pour éviter la fusion des glaçons.</li> <li>• Seuls les glaçons produits par la machine à glaçons doivent être utilisés.</li> </ul>
<b>Un son de glace qui tombe.</b>	<ul style="list-style-type: none"> <li>• Un lot de glace est tombé dans le bac à glace.</li> </ul>	<ul style="list-style-type: none"> <li>• Ce son se fait entendre lorsque de la glace fabriquée automatiquement tombe dans le bac à glace. L'intensité du son variera selon l'emplacement du réfrigérateur.</li> </ul>
<b>Un son d'eau qui s'écoule.</b>	<ul style="list-style-type: none"> <li>• La machine à glaçons est alimentée en eau.</li> </ul>	<ul style="list-style-type: none"> <li>• Ce son normal se fait entendre lorsque la machine à glaçons est alimentée en eau suite au dépôt automatique de glace dans le bac.</li> </ul>
<b>Autres</b>	Veuillez lire attentivement les sections Machine à glaçons automatique et Fonctionnement du distributeur de ce guide.	

# CARACTÉRISTIQUES TECHNIQUES

## DIMENSIONS ET CARACTÉRISTIQUES PRINCIPALES

Les caractéristiques visuelles et techniques listées dans ce tableau peuvent varier en fonction de l'évolution qualitative du produit.

Réfrigérateur à congélateur au bas de modèle LFX21980	
<b>Description</b>	Réfrigérateur à portes françaises
<b>Alimentation électrique</b>	115 V c.a. à 60 Hz
<b>Pression d'eau min.</b>	21 à 121 PSI (1,5 à 8,5 kgf/cm <sup>2</sup> )
<b>Dimensions</b>	35 3/4po(W) X 30po(D) X 69 3/4po(H), 42 1/4po (P avec porte ouverte) 908 mm (W) X 762 mm (D) X 1772 mm (H), 1073 mm (P avec porte ouverte)
<b>Poids net</b>	288 lb. (131 kg)
<b>Capacité de rangement du réfrigérateur</b>	14,7 pi <sup>3</sup> (0,42 m <sup>3</sup> )
<b>Capacité de rangement du congélateur</b>	5,8 pi <sup>3</sup> (0,16 m <sup>3</sup> )

Réfrigérateur à congélateur au bas de modèle LFX25980	
<b>Description</b>	Réfrigérateur à portes françaises
<b>Alimentation électrique</b>	115 V c.a. à 60 Hz
<b>Pression d'eau min.</b>	21 à 121 PSI (1,5 à 8,5 kgf/cm <sup>2</sup> )
<b>Dimensions</b>	35 3/4po(W) X 34 1/4po(D) X 69 3/4po(H), 46 1/2po (P avec porte ouverte) 908 mm (W) X 870 mm (D) X 1772 mm (H), 1181 mm (P avec porte ouverte)
<b>Poids net</b>	324 lb. (147 kg)
<b>Capacité de rangement du réfrigérateur</b>	17.6 pi <sup>3</sup> (0,42 m <sup>3</sup> )
<b>Capacité de rangement du congélateur</b>	7.1 pi <sup>3</sup> (0,16 m <sup>3</sup> )

**LG ELECTRONICS, INC.**  
**GARANTIE LIMITÉE DU RÉFRIGÉRATEUR À CONGÉLATEUR AU BAS LG – CANADA**



Votre réfrigérateur LG sera réparé ou remplacé, à la discrétion de LG, s'il s'avère défectueux à cause d'un vice de matière ou de fabrication dans des conditions d'utilisation normale et ce, pendant la période de garantie ("Période de garantie") définie ci-dessous, en vigueur à partir de la date d'achat ("Date d'achat") d'origine. **Cette garantie n'est valable que pour l'acheteur d'origine du produit et les provinces canadiennes.**

**PÉRIODE DE GARANTIE :**

**RÉFRIGÉRATEUR/CONGÉLATEUR**

**MAIN D'OEUVRE : Deux ans** à partir de la date d'achat.

**PIÈCES : Deux ans** à partir de la date d'achat.

**SYSTÈME HERMÉTIQUE**

(Compresseur, condenseur, et évaporateur)

**MAIN D'OEUVRE : Deux ans** à partir de la date d'achat.

**PIÈCES : Cinq ans** à partir de la date d'achat.

**APPEL DE SERVICE :**

Veuillez composer le **1-888-542-2623**

**(1-888-LG-CANADA)** et choisir l'option appropriée.

Soyez prêt à mentionner le type de produit (réfrigérateur) et votre code postal.

Visitez notre site Web à : **www.lg.ca**

Cette garantie vous donne droit au service à domicile.

**REMARQUE :** Pour vous prévaloir de la garantie, conservez votre facture pour fournir une preuve d'achat datée. Une copie de votre facture devra être présentée au moment où le service sous garantie sera fourni.

Aucune autre garantie expresse ne couvre ce produit. **LA DURÉE DE TOUTE GARANTIE IMPLICITE, Y COMPRIS LES GARANTIES IMPLICITES DE QUALITÉ MARCHANDE, SE LIMITE À LA DURÉE DE LA PRÉSENTE GARANTIE EXPRESSE. LG ELECTRONICS USA, INC. NE POURRA ÊTRE TENUE RESPONSABLE DE LA PERTE DE JOUISSANCE DU PRODUIT, DES NUISANCES, DES PERTES OU DE TOUT AUTRE DOMMAGE, DIRECT OU INDIRECT, DÉCOULANT DE L'UTILISATION OU DE L'INAPTITUDE À UTILISER CE PRODUIT, AINSI QUE DE TOUTE AUTRE VIOLATION D'UNE GARANTIE EXPRESSE OU IMPLICITE QUELLE QU'ELLE SOIT, Y COMPRIS LA GARANTIE IMPLICITE DE QUALITÉ MARCHANDE APPLICABLE À CE PRODUIT.** Certaines provinces ne permettent pas les exclusions ou les limitations des dommages accessoires ou indirects, ni les limitations de la durée de la garantie implicite; il est donc possible que ces limitations ou exclusions ne s'appliquent pas à votre cas. La présente garantie vous accorde des droits légaux spécifiques. Il est possible que vous ayez d'autres droits qui peuvent varier d'une province à l'autre.

**LA GARANTIE CI-DESSUS NE S'APPLIQUE PAS :**

- Aux visites de service à votre domicile pour livrer, ramasser et/ou installer le produit, fournir des renseignements, remplacer des fusibles, adapter le câblage ou la plomberie, ou encore corriger des réparations non autorisées.
- Aux dommages résultant d'un accident, de la vermine, d'un incendie, d'une inondation, d'une modification, d'une mauvaise utilisation, ou de cas de force majeure.
- Aux utilisations commerciales ou à des fins autres que celles prévues.

Par conséquent, ces frais sont de la responsabilité du consommateur.

**NUMÉROS DE L'ASSISTANCE À LA CLIENTÈLE**

**Pour obtenir l'assistance à la clientèle, des renseignements sur les produits ou localiser un revendeur ou un centre de service après-vente agréé :**

Veuillez composer le **1-888-542-2623 (1-888-LG-CANADA)** et choisir l'option appropriée. Soyez prêt à mentionner le type de produit (réfrigérateur) et votre code postal.

Ou visitez notre site Web à : **www.lg.ca**

**POUR COMMUNIQUER AVEC LG ELECTRONICS PAR LA POSTE :**

LG Customer Interactive Center  
P. O. Box 240007  
201 James Record Road  
Huntsville, Alabama 35824  
ATTN: CIC

**Enregistrement du produit**

**Modèle :**

**Numéro de série :**

**Date d'achat :**

Le modèle et le numéro de série figurent sur l'enveloppe intérieure ou l'arrière du compartiment réfrigérateur.

# NOTES

---



# INTRODUCCIÓN

## INFORMACIÓN IMPORTANTE DE SEGURIDAD

Precauciones básicas de seguridad .....	89
Eliminación de CFC .....	90
Cómo conectar la electricidad .....	91

## PIEZAS Y CARACTERÍSTICAS

Características especiales .....	92
Piezas y componentes importantes .....	93

## INSTALACIÓN

Elija la ubicación adecuada .....	94
Espacios libres .....	94
Pisos .....	95
Cómo quitar la manija .....	95
Cómo quitar la puerta y el cajón .....	96
Cómo conectar el suministro de agua .....	102
Cómo conectar las líneas de agua .....	102
Cómo nivelar las puertas del refrigerador .....	104
Inicio .....	105

## CÓMO UTILIZAR

Características del panel de control .....	106
Pantalla de LCD/LED .....	107
Cómo ajustar las temperaturas y las funciones .....	108
Cómo operar el dispensador .....	109
Configuración de las funciones .....	110
Reservorio de hielo en la puerta .....	111
Máquina automática para hacer hielo .....	112
Control de humedad del cajón de verduras y frutas OptiBin™ .....	113
Almacenamiento de alimentos .....	113
Ubicación de los alimentos .....	114
Ajuste de altura de los estantes .....	115

## CUIDADO Y LIMPIEZA

Cómo quitar y cambiar los componentes .....	116
Limpieza del refrigerador .....	120
Información general .....	120
Cómo cambiar el filtro de agua .....	121

## DETECCIÓN DE PROBLEMAS

Antes de solicitar servicio técnico .....	122
---	-----

## ESPECIFICACIONES

Dimensiones y especificaciones importantes .....	126
--	-----

## GARANTÍA

Información sobre registro de producto .....	127
--	-----

# ¡GRACIAS!


Felicitaciones por su compra y bienvenido a la familia de LG. Su nuevo refrigerador LG con congelador inferior combina la tecnología de refrigeración más avanzada con un funcionamiento simple y una elevada eficiencia. Siguiendo las instrucciones de funcionamiento y cuidado de este manual, su refrigerador le brindará muchos años de servicio confiable.



# INFORMACIÓN IMPORTANTE DE SEGURIDAD

## PRECAUCIONES BÁSICAS DE SEGURIDAD

**Esta guía contiene varios mensajes importantes de seguridad. Siempre lea y obedezca todos los mensajes de seguridad.**

 Este es el símbolo de alerta de seguridad. Lo alerta sobre mensajes de seguridad que informan sobre peligros que pueden matarlo o lastimarlo a usted o a otros o provocar daños al producto. Todos los mensajes de seguridad serán precedidos por el símbolo de alerta de seguridad y las palabras PELIGRO, ADVERTENCIA, o PRECAUCIÓN. Estas palabras significan:

### PELIGRO

El usuario morirá o sufrirá graves lesiones si no sigue las instrucciones.

### ADVERTENCIA

El usuario **puede** morir o sufrir graves lesiones si no sigue las instrucciones.

### PRECAUCIÓN

Indica una situación potencialmente peligrosa que, si no se evita, **puede** provocar una lesión menor o mediana., o solamente daños al producto.

Todos los mensajes identificarán el peligro, le señalarán cómo reducir las posibilidades de lesiones, y le explicarán qué puede suceder si no se siguen las instrucciones.

### ADVERTENCIA

**Para reducir el riesgo de incendio, descarga eléctrica, o lesiones a personas cuando utilice el producto, deben cumplirse precauciones básicas de seguridad, incluyendo las siguientes.**

**Lea todas las instrucciones antes de utilizar este artefacto.**

- NUNCA desenchufe el refrigerador tirando del cable de energía. Siempre tome el enchufe con firmeza y quítelo del tomacorriente.
- Repare o reemplace de manera inmediata todos los cables eléctricos que se hayan desgastado o dañado. No utilice cables que den muestras de grietas o desgaste en su longitud o en el enchufe o extremo del conector.
- Cuando aleje el refrigerador de la pared, tenga cuidado de no aplastar o dañar el cable de energía.
- NO almacene o use gasolina u otros vapores o líquidos inflamables cerca de este o cualquier otro artefacto.
- NO permita que los niños se cuelguen, suban, o paren en las puertas o estantes del refrigerador. Podrían dañar el refrigerador y sufrir lesiones graves.
- Mantenga los dedos alejados de los puntos de pellizco; los espacios entre las puertas y armario son necesariamente pequeños. Tenga cuidado al cerrar puertas cuando hay niños en la cercanía.

- Desenchufe su refrigerador antes de limpiar o hacer reparaciones.

**NOTA:** Las reparaciones debe realizarlas un técnico calificado.

- Antes de reemplazar un bombilla de luz quemada, desenchufe el refrigerador o desconecte la electricidad del disyuntor o caja de fusibles para evitar contacto con un fi lamento cargado (una bombilla quemada puede romperse al cambiarla).  
**NOTA:** Confi gurar cualquiera de los dos controles en la posición OFF (apagado) no elimina la corriente de electricidad dirigida al circuito de la luz.

- Este refrigerador debe instalarse de manera adecuada según las instrucciones dirigidas al instalador adheridas al frente del refrigerador.

- Después de instalar su refrigerador, no toque las superficies frías del congelador con las manos mojadas o húmedas. La piel puede adherirse a las superficies muy frías.

- En refrigeradores con máquinas automáticas para hacer hielo, evite el contacto con las piezas en movimiento del mecanismo eyector o con el elemento calentador que libera los cubitos. NO coloque sus dedos o manos en el mecanismo de la máquina para hacer hielo mientras el refrigerador se encuentre enchufado.

- **No modifi que o extienda la longitud del cable de energía.** Esto provocará una descarga eléctrica o un incendio.t.

# INFORMACIÓN IMPORTANTE DE SEGURIDAD

## PRECAUCIONES BÁSICAS DE SEGURIDAD (CONT.)

- NO vuelva a congelar alimentos que se hayan descongelado por completo. El Ministerio de Agricultura de los EE.UU., Boletín N° 69 sobre Hogares y Jardines señala:  
... Pueden volverse a congelar los alimentos que hayan sido descongelados si todavía contienen cristales de hielo o si todavía están fríos, por debajo de 40°F (4°C).  
... Las carnes rojas picadas, carnes de ave, o pescado que tengan olores o colores extraños no deben volver a congelarse y tampoco deben consumirse. Los helados descongelados deben eliminarse. Si el olor o color de cualquier alimento es pobre o dudoso, elimínelo.

Dicho alimento puede ser peligroso para la salud. Incluso el descongelado parcial y recongelado reduce la calidad comestible de los alimentos, en especial frutas, vegetales, y comidas preparadas. La calidad comestible de las carnes rojas se ve menos afectada que la de otros alimentos. Utilice alimentos recongelados lo antes posible para preservar la mayor calidad posible.

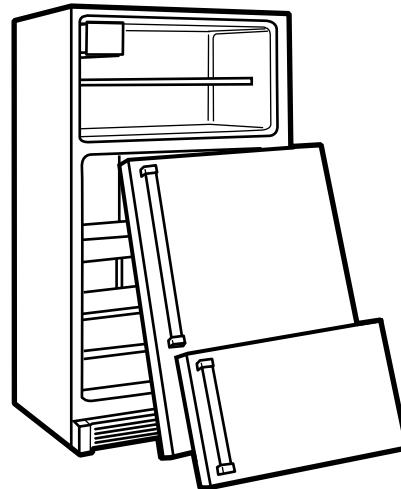
## ⚠ PELIGRO

### Riesgo de encierro para niños

Los refrigeradores eliminados o abandonados son peligrosos, aunque queden en un sitio durante sólo unos días. Si va a desechar su viejo refrigerador, siga las siguientes instrucciones para prevenir accidentes.

Antes de eliminar su viejo refrigerador o congelador:

- Quite las puertas.
- Deje los estantes en su lugar para que los niños no puedan subirse fácilmente.



## ELIMINACIÓN DE CFC

Su viejo refrigerador puede tener un sistema de enfriamiento con CFC (clorofluorocarbonos). Se cree que los CFC son dañinos para el ozono estratosférico.

Si va a tirar su viejo refrigerador, asegúrese que quitar el refrigerante CFC para una eliminación adecuada por parte de un técnico calificado. Si libera este refrigerante de CFC de manera intencional, usted puede ser objeto de multas y de prisión según lo indicado por la legislación ambiental.

# INFORMACIÓN IMPORTANTE DE SEGURIDAD

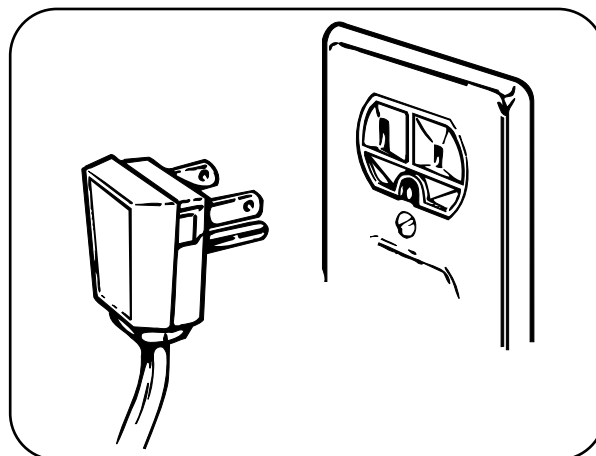
## CÓMO CONECTAR LA ELECTRICIDAD

**IMPORTANTE:** Lea cuidadosamente.

### **⚠️ ADVERTENCIA**

#### **Peligro de descarga eléctrica**

Para seguridad personal, este artefacto debe conectarse a tierra de manera adecuada. Haga que un técnico calificado verifique el tomacorriente de pared y el circuito para verificar que tengan una conexión a tierra adecuada.



#### **MÉTODO DE CONEXIÓN A TIERRA RECOMENDADO**

El refrigerador siempre debe estar conectado a un tomacorriente individual con conexión a tierra clasificado para 115 voltios, 60 Hz, sólo CA, y con fusibles de 15 o 20 amperes. Esto otorga un mejor desempeño y también evita la sobrecarga de los circuitos de cableado de la casa, lo que podría generar un peligro de incendio por sobrecarga. Se recomienda que este artefacto cuente con un circuito individual.

Utilice un tomacorriente que no pueda apagarse con un interruptor o cadena. No utilice un cable de extensión. Para el uso de este artefacto, es su responsabilidad y obligación cambiar un tomacorriente estándar de dos patas por uno de tres patas con adecuada conexión a tierra.

**Bajo ninguna circunstancia corte o quite la tercera pata (a tierra) del cable de energía. No utilice un enchufe adaptador.**

**NOTA:** Antes de realizar cualquier clase de instalación, limpieza o quitar una bombilla de luz, gire el control (termostato, control de refrigerador o control de congelador, dependiendo del modelo) a OFF (apagado) y luego desconecte el refrigerador de la fuente de energía. Cuando haya terminado, vuelva a conectar el refrigerador a la fuente de energía y cambie el control (termostato, control de refrigerador, o control de congelador, dependiendo del modelo) a la configuración deseada.

#### **USO DE LOS CABLES DE EXTENSIÓN**

**Debido a peligros potenciales de seguridad en ciertas condiciones, recomendamos enfáticamente no utilizar un cable de extensión.** Sin embargo, si aún así decide utilizar un cable de extensión, es absolutamente necesario que se trate de un cable de extensión de tres patas listado UL (EE.UU.) con enchufe y tomacorriente a tierra, y que la clasificación eléctrica del cable sea de 15 amperes (mínimo) y 120 voltios. El uso de un cable de extensión incrementará el espacio necesario en la parte trasera del refrigerador.

## GUARDE ESTAS INSTRUCCIONES

# PIEZAS Y CARACTERÍSTICAS

## CARACTERÍSTICAS ESPECIALES

### 1 PANTALLA DE LCD DEL PANEL DE CONTROL

Los simples controles electrónicos son fáciles de usar. La pantalla de LCD indica temperaturas del refrigerador y del congelador, muestra el estado del filtro de agua, información sobre el dispensador, y más.

### 2 ICE PLUS

Si está activada esta función, la sección del refrigerador funcionará a la temperatura más baja posible durante 24 horas para aumentar la producción de hielo un 20 por cien.

### 3 DISPENSADOR DE AGUA FILTRADA Y HIELO

El dispensador de agua ofrece agua fresca y filtrada a través de la puerta para un rápido refresco. El dispensador ofrece hielo en cubitos o picado.

### 4 ALARMA DE LA PUERTA

Una alarma de advertencia suena a intervalos de 30 segundos cuando las puertas del refrigerador o freezer quedan abiertas por más de 60 segundos.

### 5 RESERVORIO DE HIELO EN LA PUERTA

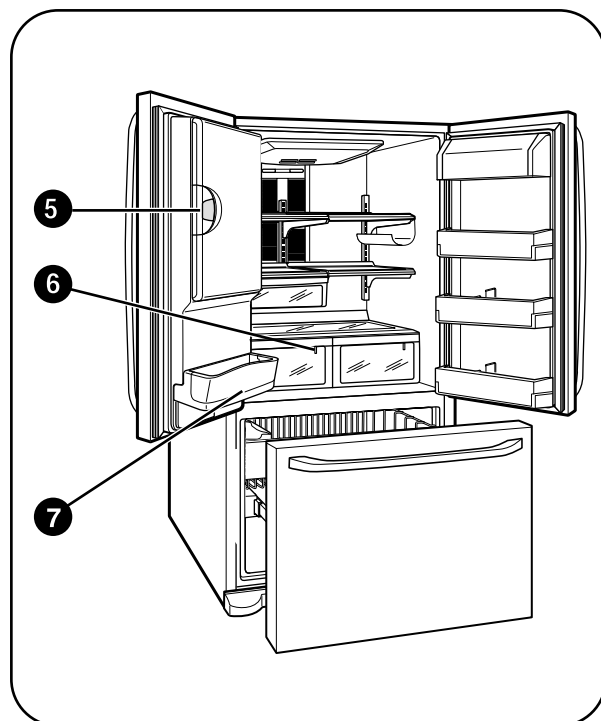
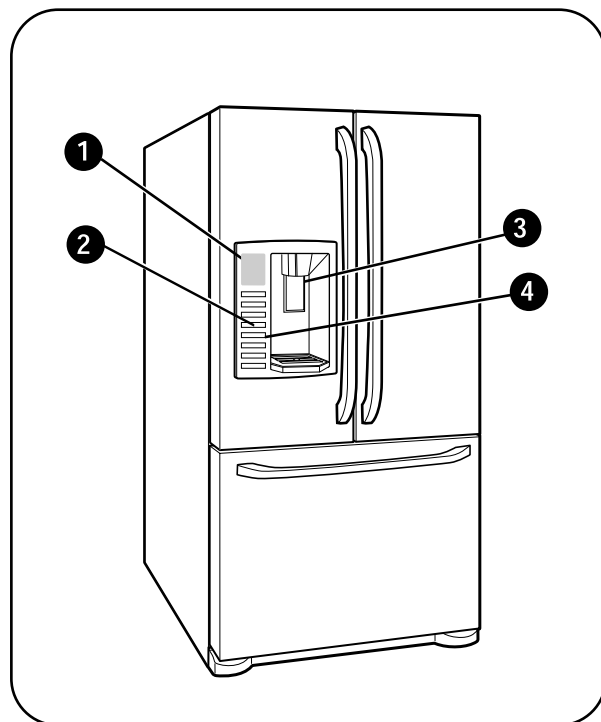
La máquina para hacer hielo automáticamente produce 100-130 cubitos en un período de 24 horas para mantener el dispensador de hielo bien abastecido. El diseño dentro de la puerta crea más espacio en los estantes.

### 6 CAJONES DE VERDURAS Y FRUTAS OPTIBIN™

Los cajones de OptiBin™ de LG mantienen los vegetales frescos.

### 7 BISAGRA AUTOCIERRE

Cuando presione ligeramente la puerta del compartimento de refrigeración, ésta se cerrará automáticamente. (La puerta se cerrará automáticamente en un ángulo no superior a 40 grados).

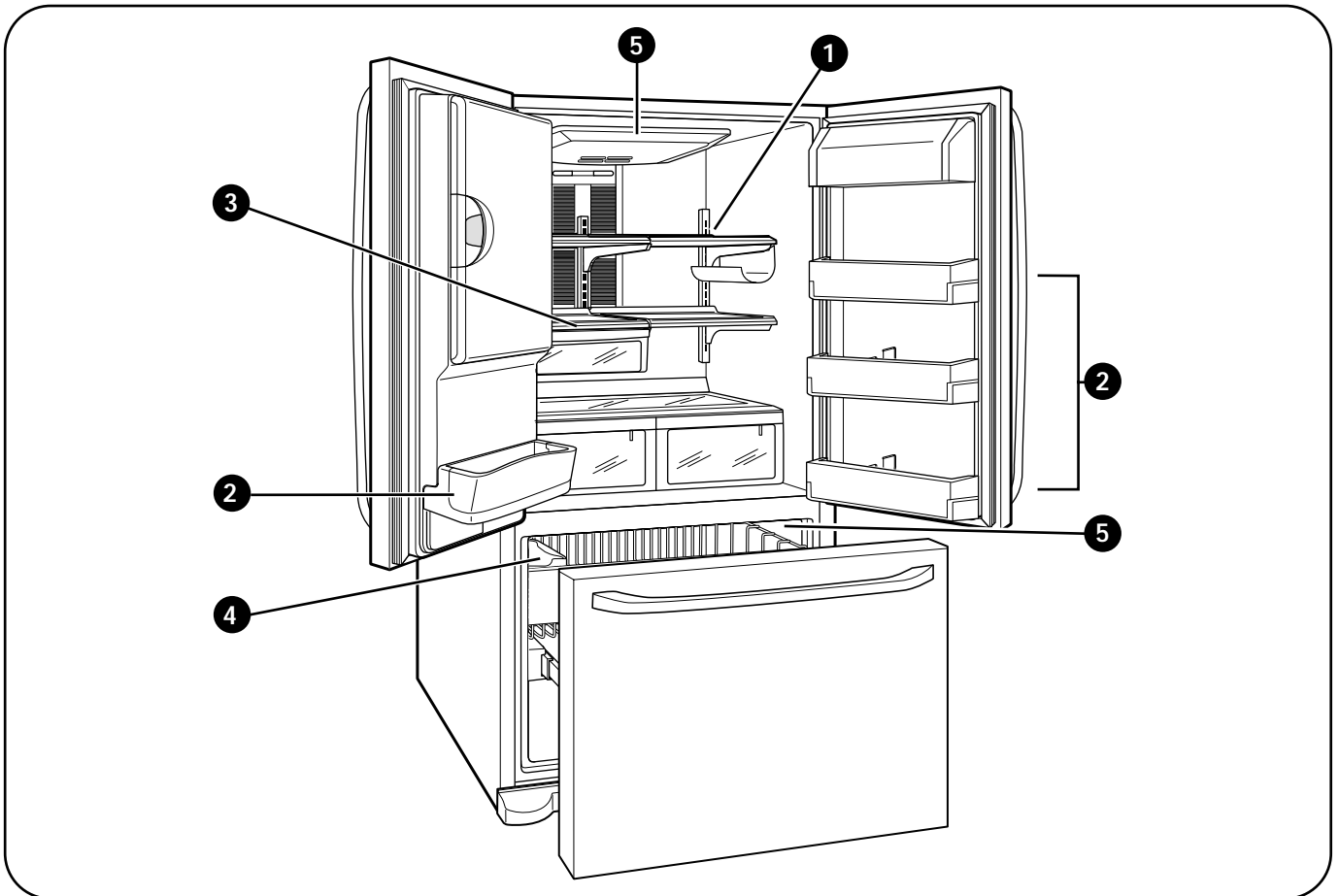


# PIEZAS Y CARACTERÍSTICAS

## PIEZAS Y COMPONENTES IMPORTANTES

Además de las características y componentes especiales señalados en la sección Características Especiales, existen otros componentes importantes mencionados en este manual.

- 1 REPISA DEL CONGELADOR, REGULABLE.**  
Los estantes del refrigerador son ajustables para mayor flexibilidad en el almacenamiento.
- 2 RECIPIENTES DE PUERTA MODULARES**  
Tres cajones intercambiables que pueden disponerse para satisfacer las necesidades de almacenamiento.
- 3 BANDEJA DE SNACKS**  
La bandija de snacks es ideal para guardar panes, fiambres y snacks.
- 4 RECIPIENTE DE ALMACENAMIENTO DE HIELO DESMONTABLE**  
El recipiente de almacenamiento de hielo puede quitarse para llenar hieleras, heladeritas, o jarras.
- 5 LÁMPARAS INTERIORES**  
Dos lámparas individuales iluminan el congelador y la parte interna del refrigerador.



# INSTALACIÓN

## ELIJA LA UBICACIÓN ADECUADA

### ⚠️ ADVERTENCIA

#### Peligro de peso excesivo

Se necesitan dos o más personas para trasladar o desempacar el artefacto.

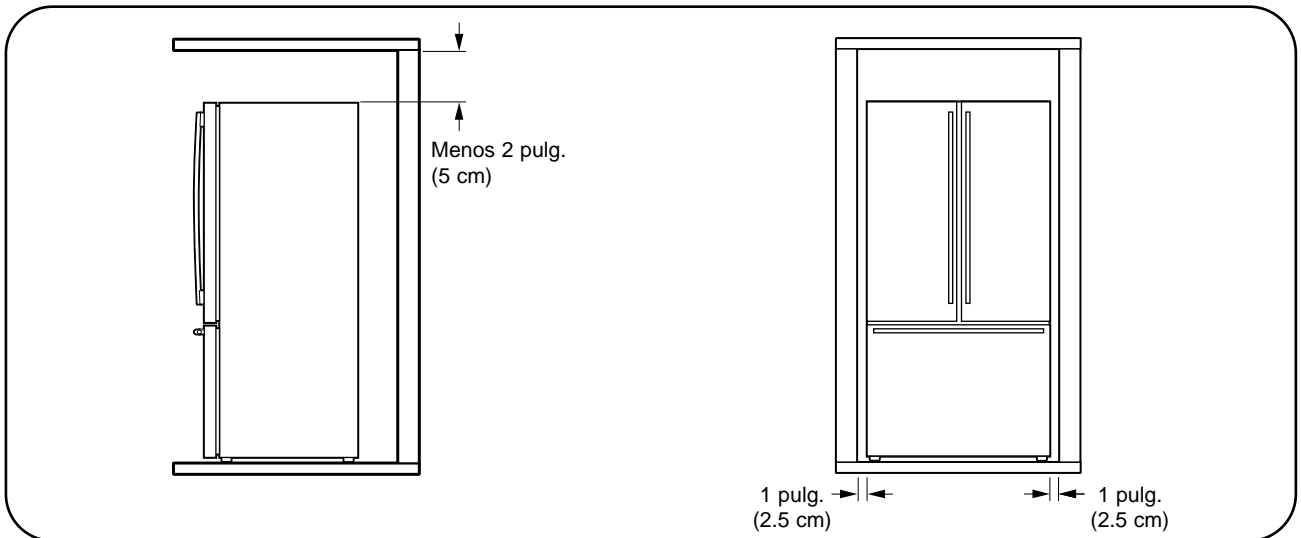
- Almacene e instale el refrigerador donde no vaya a sufrir temperaturas bajo cero o condiciones climáticas externas.
- Instale este artefacto en un área donde la temperatura se encuentre entre los 55°F (13°C) y 110°F (43°C). Si la temperatura alrededor del artefacto es demasiado alta o baja, la capacidad de enfriamiento puede verse afectada negativamente.
- Si este refrigerador se instala donde la temperatura supera los 110°F (43°C), la capacidad de congelado se ve comprometida y el costo de electricidad consumida se elevará.

- A fin de reducir el riesgo de una descarga eléctrica, no instale el refrigerador en un área húmeda o mojada.
- Elija un lugar en donde el suministro de agua pueda conectarse fácilmente entre la máquina de hacer hielo y el dispensador.
- Una instalación inestable puede provocar vibraciones y ruidos. Si el suelo no está nivelado, nivélelo haciendo rotar la altura de los tornillos de ajuste.
- Conecte a tierra el refrigerador para cumplir con los códigos y ordenanzas vigentes.

### ⚠️ PRECAUCIÓN

Evite ubicar la unidad cerca de fuentes de calor, luz directa del sol, o humedad.

## ESPACIOS LIBRES



Deje un espacio libre de por lo menos 2 pulg. (5 cm) desde el techo y 1 pulg. (2.5 cm) desde las paredes laterales para una mejor eficiencia de enfriamiento, facilidad de instalación, adecuada circulación de aire, y conexiones eléctricas.

Tenga en cuenta paredes, puertas, y molduras que pueden incrementar los espacios necesarios.

- Una distancia muy pequeña desde los elementos adyacentes puede disminuir la capacidad de enfriamiento y elevar el gasto de electricidad.

Deje por lo menos 24 pul. (61 cm) frente al refrigerador para poder abrir las puertas.

## PISOS

- Para minimizar ruidos y vibraciones, el refrigerador DEBE estar instalado en un piso de construcción sólida.
- Para evitar vibraciones, la unidad debe estar nivelada. Si fuera necesario, ajuste las patas niveladoras para compensar el desequilibrio del piso. La parte delantera debe estar un poco más elevada que la trasera para facilitar el cierre de la puerta. Las patas de nivelación pueden girarse con facilidad inclinando el gabinete ligeramente. Gire las patas de nivelación en sentido de las agujas del reloj para levantar la unidad o en sentido contrario a las agujas del reloj para bajarla.

- No se recomienda el uso de alfombras y de baldosas frágiles.
- Nunca instale el refrigerador en una plataforma o una estructura de apoyo débiles.

**NOTA:** Cuando desplace el refrigerador para realizar la limpieza o para efectuar un servicio, asegúrese de proteger el piso. Siempre tire del refrigerador hacia afuera cuando lo mueva. No menee o contonee el refrigerador cuando quiera desplazarlo, porque podría dañar el piso.

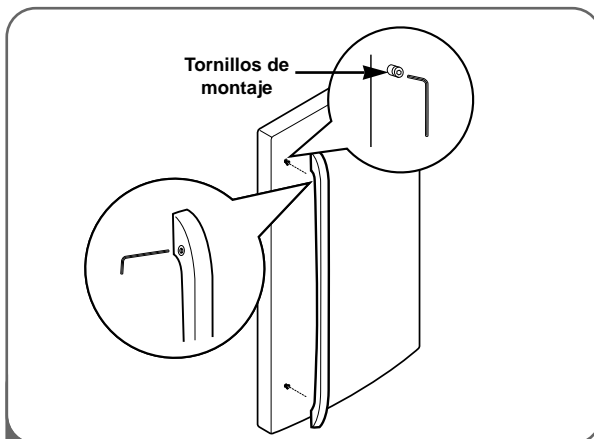
## CÓMO QUITAR LA MANIJA

Para trasladar el refrigerador a través de una puerta, puede ser necesario quitar las manijas de la puerta del refrigerador.

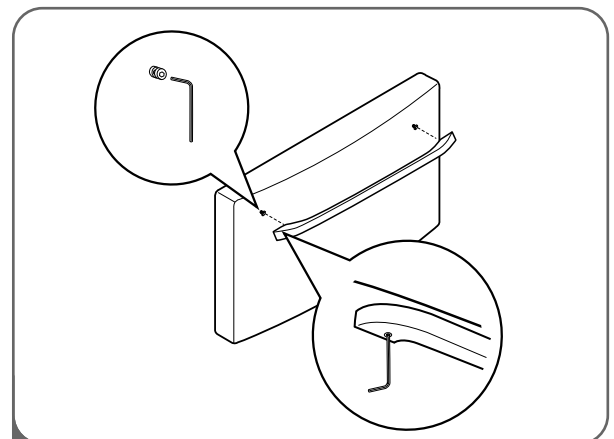
**NOTA:** La apariencia de las manijas puede diferir de las incluidas en la ilustración.

## ⚠PRECAUCIÓN

- Tenga mucho cuidado al quitar las manijas para evitar rayar las puertas.
- La manija puede dañarse si la golpea con un martillo mientras la quita o coloca.
- Cuando coloque o quite una manija, usted debe empujar y tirar de ella con bastante fuerza.



- 1 Afloje los tornillos de fijación con una llave Allen de 3/32" y retire la manija.  
**NOTA:** Para ajustar o retirar los tornillos de montaje de la manija utilice una llave Allen de 1/4".

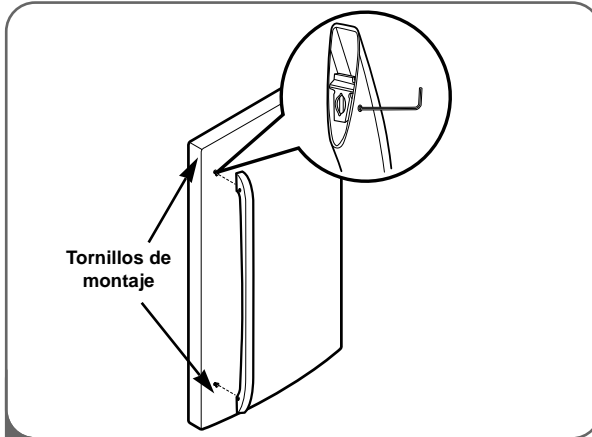


- 2 Afloje los tornillos de fijación ubicados en la parte inferior de la manija con una llave Allen de 3/32" y retire la manija.  
**NOTA:** Para ajustar o retirar los tornillos de montaje de la manija utilice una llave Allen de 1/4".

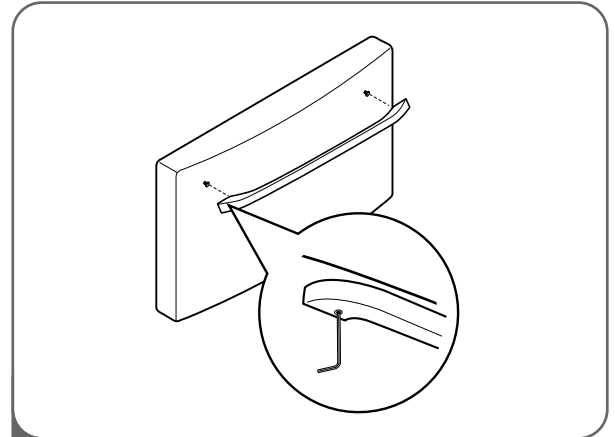
# INSTALACIÓN

## CÓMO QUITAR LA MANIJA (CONT.)

### REINSTALACIÓN DE LA MANIJA



- 1 Sujete la manija a los tornillos de montaje y ajuste los tornillos de fijación con una llave Allen de 3/32".  
**NOTA:** Para ajustar o retirar los tornillos de montaje de la manija utilice una llave Allen de 1/4".



- 2 Sujete la manija firmemente a los tornillos de montaje y ajuste los tornillos de fijación en la parte inferior de la manija con una llave Allen de 3/32".  
**NOTA:** Para ajustar o retirar los tornillos de montaje de la manija utilice una llave Allen de 1/4".

## CÓMO QUITAR LA PUERTA Y EL CAJÓN

### CÓMO QUITAR LA PUERTA

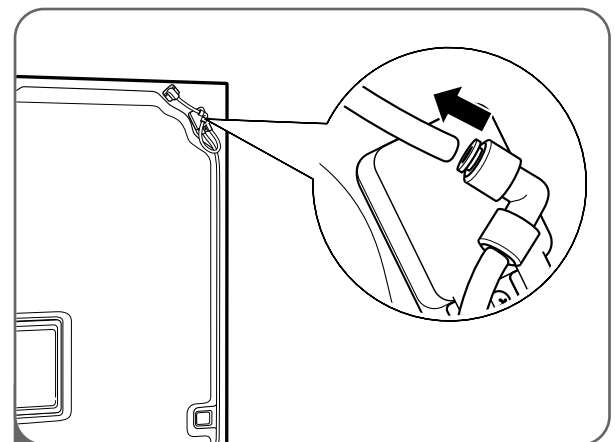
#### **⚠️ ADVERTENCIA**

##### **Peligro de descarga eléctrica**

- Desconecte el suministro eléctrico del refrigerador antes de instalar. No hacerlo puede provocar la muerte o una lesión personal grave.
- No coloque sus manos, pies, o varillas de metal en los orificios de ventilación, parrilla de la base, o parte inferior del refrigerador. Puede lesionarse o recibir una descarga eléctrica.
- Tenga cuidado al trabajar con la bisagra, parrilla de la base y retén. Puede resultar herido.

Si la puerta de entrada de su hogar es demasiado angosta para que pase el refrigerador, quite la puerta del refrigerador y traslade el mismo de costado a través de la puerta.

Antes de comenzar, retire los alimentos y recipientes de las puertas.

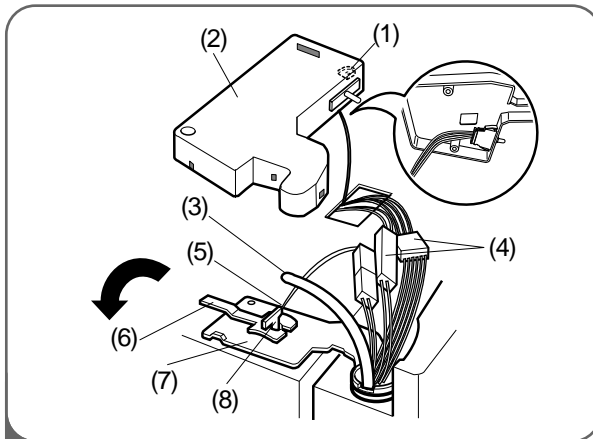


- 1 **Para quitar la puerta izquierda del refrigerador:**  
Saque el tubo de agua del accesorio mientras presiona el anillo de liberación del mismo.



## CÓMO QUITAR LA PUERTA Y EL CAJÓN (CONT.)

### CÓMO QUITAR LA PUERTA (CONT.)



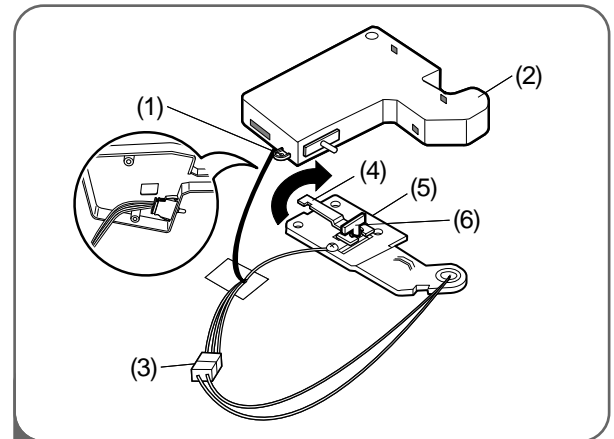
- 2
- Abra la puerta. Retire el tornillo de la tapa de la bisagra superior (1).
  - Use un destornillador de lados planos para destrabar los ganchos (no se muestran) en el lado inferior frontal de la tapa (2). Levante la tapa.
  - Desconecte retire la tapa. Quite el tubo (3).
  - Desconecte todos los arneses de cableado (4).
  - Quite el tornillo de conexión a tierra (5).
  - Gire la palanca de la bisagra (6) en sentido contrario a las agujas del reloj y quítelo. Levante la bisagra superior (7) separada del sujetador de la palanca de la bisagra (8).

**IMPORTANTE:** Cuando levante la bisagra separada del sujetador, tenga cuidado de que la puerta no caiga hacia delante.

- Levante la puerta desde la clavija de la bisagra del medio y quite la puerta.

**PRECAUCIÓN:** Proceda a su acople/desacople siempre con la puerta abierta formando un ángulo de 90 grados, o superior.

- Coloque la puerta, con la parte interna hacia arriba, sobre una superficie que no raye.



- 3
- Para quitar la puerta derecha del refrigerador:**
- Abra la puerta. Retire el tornillo de la tapa de la bisagra superior (1). Levante la tapa (2).
  - Desconecte retire la tapa.
  - Desconecte el arnés de cableado (3).
  - Gire la palanca de la bisagra (4) en sentido de las agujas del reloj y quítela. Levante la bisagra superior (5) separada del sujetador de la palanca de la bisagra (6).
- IMPORTANTE:** Cuando levante la bisagra separada del sujetador, tenga cuidado de que la puerta no caiga hacia delante.
- Levante la puerta desde la clavija de la bisagra del medio y quite la puerta.

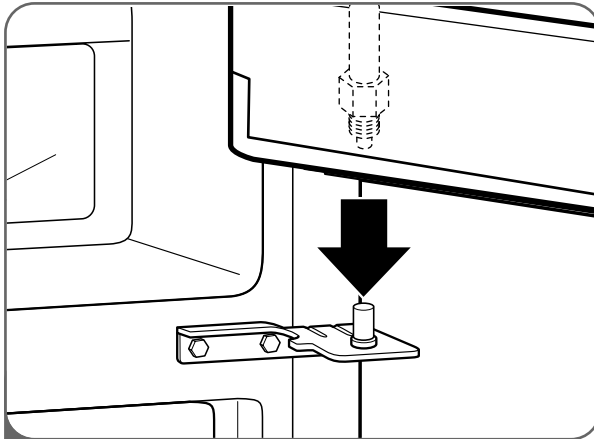
**PRECAUCIÓN:** Proceda a su acople/desacople siempre con la puerta abierta formando un ángulo de 90 grados, o superior.

- Coloque la puerta, con la parte interna hacia arriba, sobre una superficie que no raye.

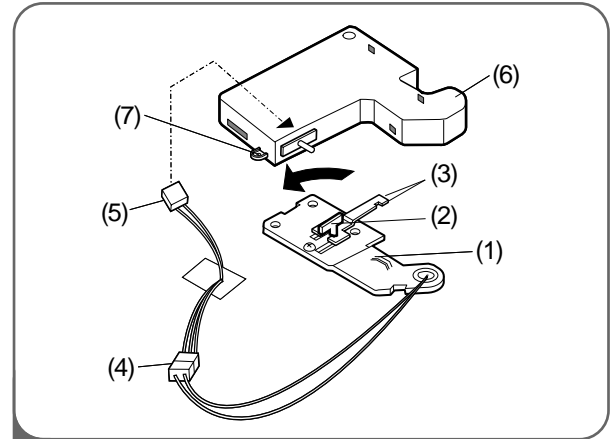
# INSTALACIÓN

## REINSTALACIÓN DE LA PUERTA

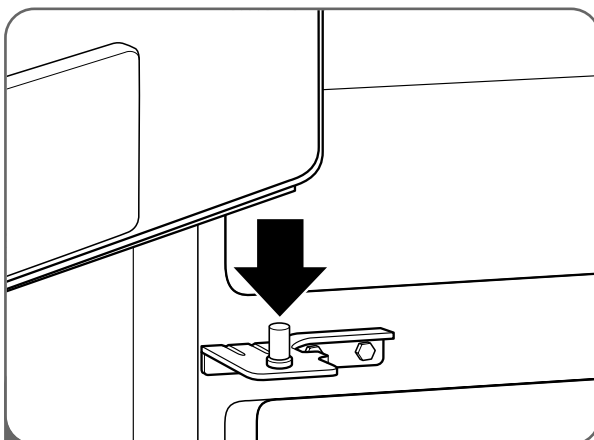
### REINSTALACIÓN DE LA PUERTA



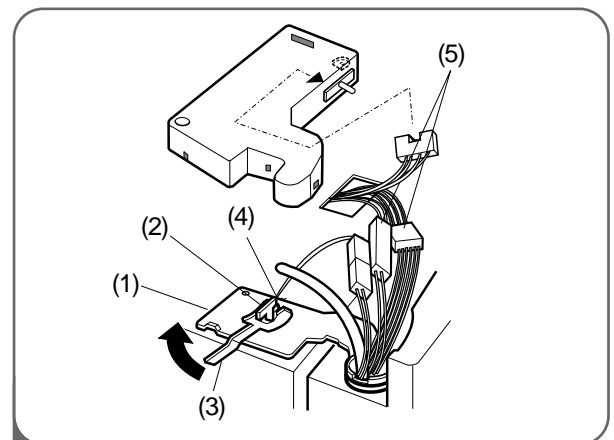
- 1 Instale primero la puerta derecha.
- Baje la puerta sobre la clavija de la bisagra del medio como puede verse.
  - Asegúrese de que el manguito de plástico esté insertado en la parte inferior de la puerta.



- 2
- Coloque la bisagra superior (1) sobre el sujetador de la palanca de la bisagra (2) y en su lugar. Introduzca la palanca de la bisagra (3) bajo el sujetador de la palanca. Gire la palanca en sentido contrario a las agujas del reloj y ajuste la bisagra.
  - Conecte el arnés de cableado (4).
  - Conecte el arnés de cableado del interruptor de la puerta (5).
  - Enganche la lengüeta sobre el lado del interruptor de la puerta de la tapa (6) bajo el extremo de la apertura del cableado en la parte superior del gabinete. Coloque la tapa en su lugar. Introduzca y ajuste el tornillo de la tapa (7).



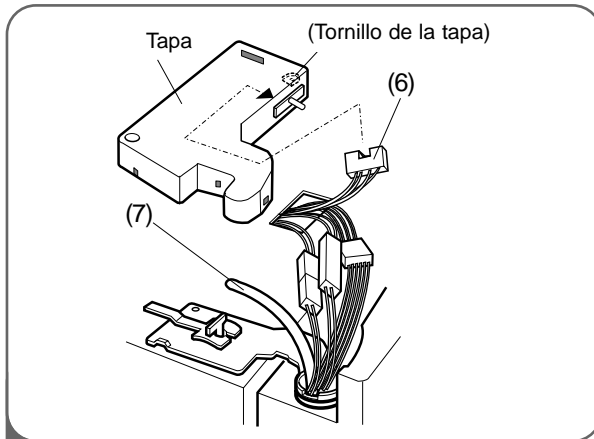
- 3 Instale la puerta izquierda.
- Baje la puerta sobre la clavija de la bisagra del medio.



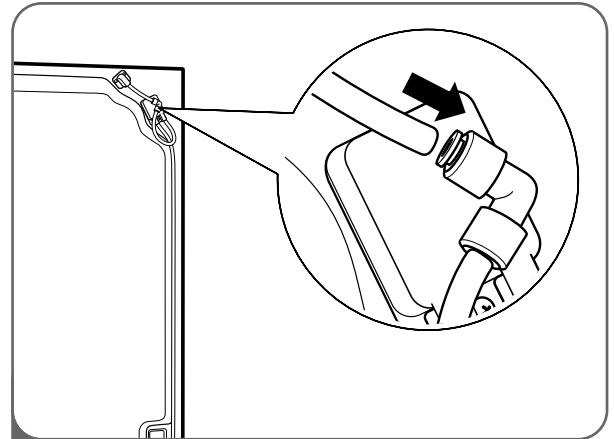
- 4
- Coloque la bisagra superior (1) sobre el sujetador de la palanca de la bisagra (2) y en su lugar. Introduzca la palanca de la bisagra (3) bajo el sujetador de la palanca. Gire la palanca en sentido de las agujas del reloj y ajuste la bisagra.
  - Instale el tornillo de toma a tierra (4) y conecte todos los arneses (5).

## REINSTALACIÓN DE LA PUERTA (CONT.)

### REINSTALACIÓN DE LA PUERTA (CONT.)

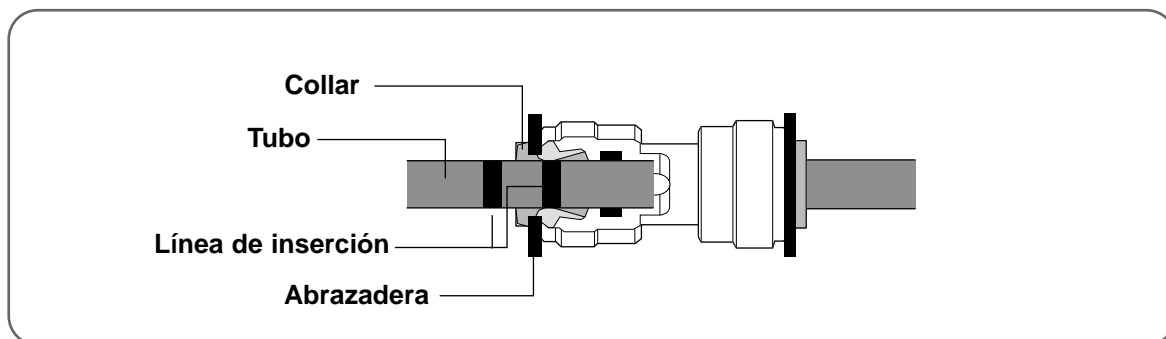


- 5 • Conecte el arnés de cableado del interruptor de la puerta (6). Empuje el tubo de suministro de agua (7) por el orificio de la parte superior y sáquelo por la parte posterior.

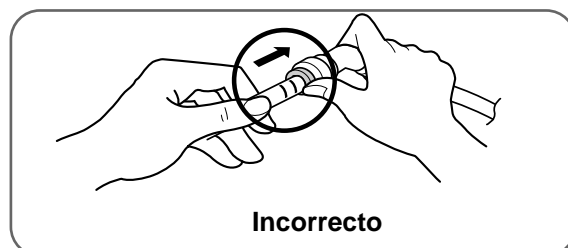
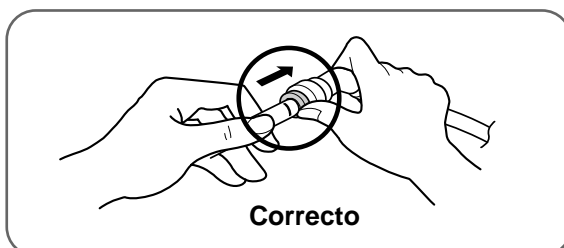


- 6 Introduzca el tubo de suministro de agua dentro del conector.
- Introduzca el tubo por lo menos 5/8 in. (15 mm) dentro del conector.
  - Enganche la lengüeta ubicada sobre el lado del interruptor de la puerta de la tapa bajo el extremo de la apertura del cableado en la parte superior del gabinete. Coloque la tapa en su lugar. Introduzca y ajuste el tornillo de la tapa.

## ⚠️ AVERTISSEMENT



1. Inserte el tubo hasta que sólo pueda ver una línea.
2. Tras insertarlo, extraiga el tubo para comprobar si ha sido insertado correctamente.
3. Abrazadera de montaje.



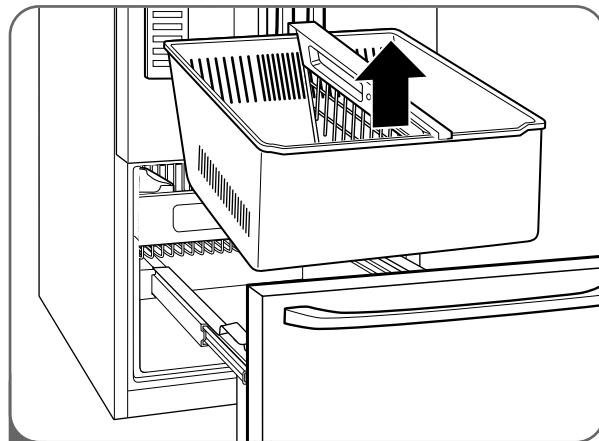
# INSTALACIÓN

## CÓMO QUITAR LA PUERTA Y EL CAJÓN (CONT.)

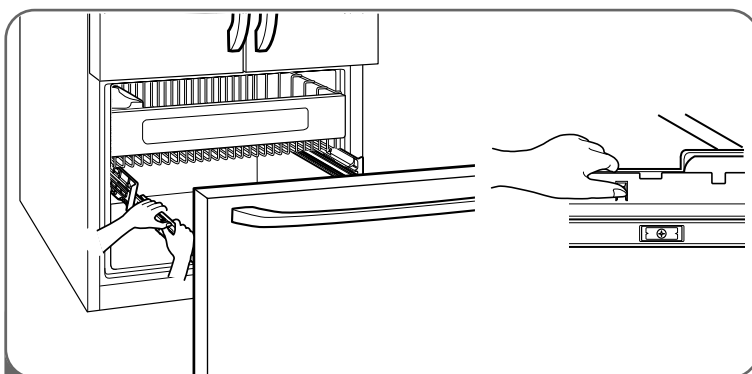
### CÓMO QUITAR EL CAJÓN DEL CONGELADOR

#### **⚠ PRECAUCIÓN**

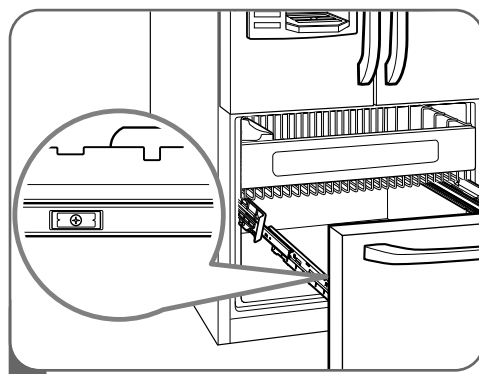
- A fin de evitar posibles lesiones o daños al producto y a la propiedad, harán falta dos personas para llevar a cabo las siguientes instrucciones.
- Cuando quite el cajón, no sostenga la manija. Puede salirse y provocar lesiones personales.
- Cuando deposite el cajón, tenga cuidado de no dañar el piso o lastimar sus pies con los extremos afilados del lado de la bisagra.



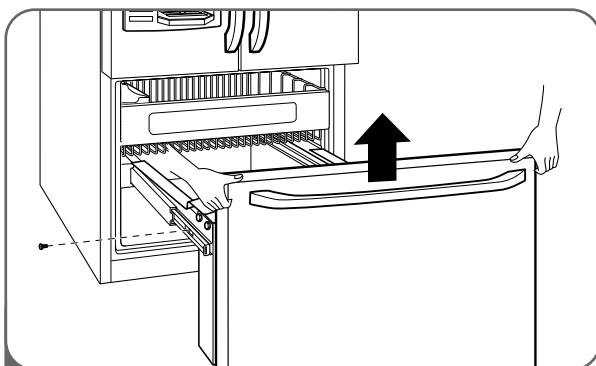
- 1 To remove the freezer drawer, pull the drawer open to full extension. Remove the lower DuraBase® basket by lifting the basket from the rail system.



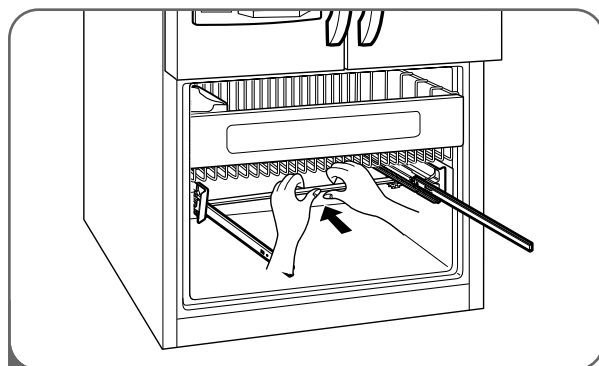
- 2 Separe la cubierta izquierda y derecha de la guía.



- 3 Retire los tornillos de ambos lados de la guía.



- 4 Con ambas manos, sujete los dos lados de la puerta y tire hacia arriba para separarla.



- 5 Con ambas manos, sujete el centro de la barra y empuje hacia dentro para que las dos guías encajen a la vez.

**⚠ CUIDADO** : Cuando Ud. quite el cajón, no sostenga la agarradera. Si se sale, podría causar lesiones personales.

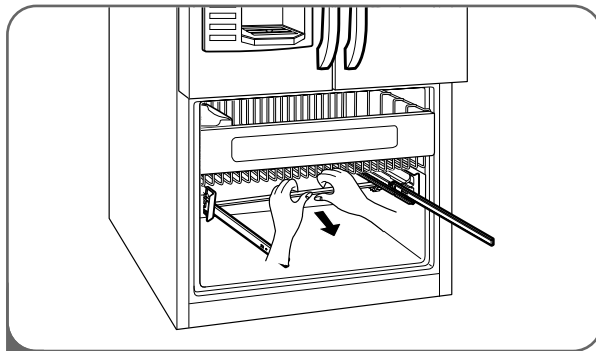
**⚠ CUIDADO** : Al colocar el cajón en el piso, tenga cuidado de no dañar el piso y lesionarse el pie con las orillas afiladas en el lado de la bisagra.

## CÓMO QUITAR LA PUERTA Y EL CAJÓN (CONT.)

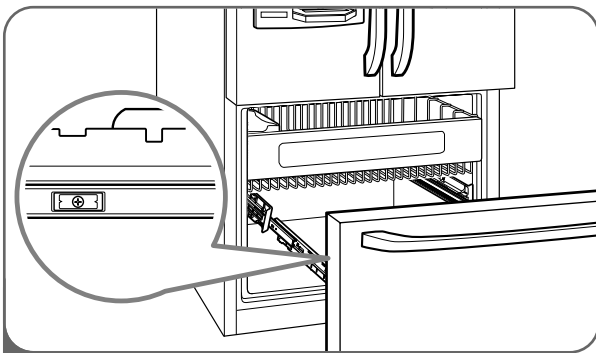
### CÓMO REINSTALAR EL CAJÓN DEL CONGELADOR

#### **⚠ PRECAUCIÓN**

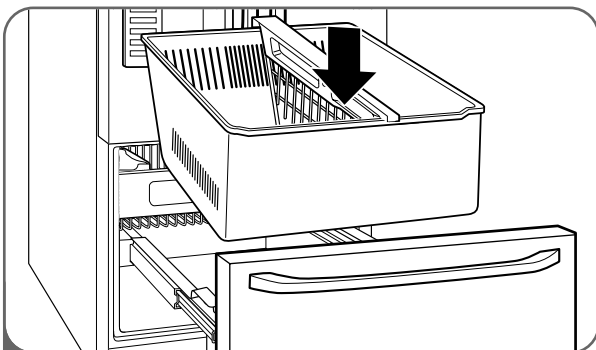
- A fin de evitar posibles lesiones o daños al producto y a la propiedad, harán falta dos personas para efectuar las siguientes personas para efectuar las siguientes instrucciones.



- 1 Para volver a instalar el cajón del freezer, sostenga la barra central con ambas manos y tire hacia afuera hasta que los dos rieles estén extendidos por completo.



- 3 Empuje hacia abajo y monte el conector de la puerta apretando los tornillos.

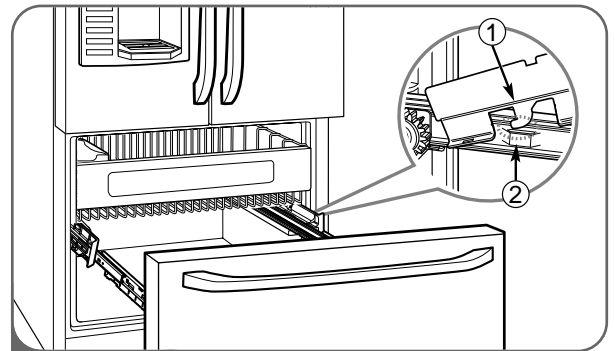


- 5 Con el cajón extraído en toda su extensión, inserte la canasta inferior en el ensamblaje del riel hasta que no se mueva hacia adelante.

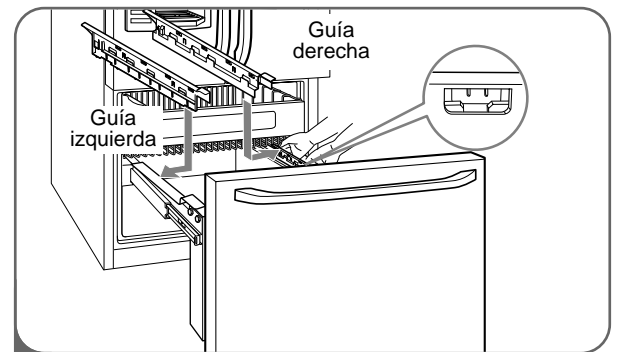
#### **⚠ PELIGRO**

##### **Riesgo de encierro para niños**

- Para evitar el encierro accidental y riesgo de asfixia de niños y animales, NO permita que jueguen dentro del cajón del freezer.
- NO se pare o siente sobre el cajón del freezer.



- 2 Monte el conector de la puerta (1) a la percha de la guía (2).



- 4 Alinee los orificios superiores de la cubierta de la guía con los orificios superiores del conector de la puerta para montar la guía de la cubierta .

- ⚠ **ADVERTENCIA:** Para prevenir riesgos de atrapamiento y sofocación accidental de niños y mascotas, NO les permita jugar dentro del cajón.
- ⚠ **ADVERTENCIA:** NO se pare ni se siente sobre la puerta del congelador.

## CÓMO CONECTAR EL SUMINISTRO DE AGUA

### **⚠️ ADVERTENCIA**

**Conecte solamente a una fuente segura de agua potable.**

- La presión de agua debe ser de 21~121 psi (1.5~8.5 kgf/cm<sup>2</sup>) en modelos sin filtro de agua y entre 43 y 121 psi (3~8.5 kgf/cm<sup>2</sup>) en modelos con filtro de agua.
- Si la presión no alcanza los 21 psi (1.5 kgf/cm<sup>2</sup>) o cae debajo de la misma, resulta necesario comprar una bomba de presión separada para lograr un funcionamiento normal de la máquina automática de hielo y del dispensador de agua.
- Se recomienda que la longitud del tubo de suministro de agua no supere los 26 pies (8 m).
- Instale la línea de suministro de agua donde no se vea afectada por el calor.

**IMPORTANTE:** Lea todas las instrucciones por completo antes de comenzar.

- Si pone en funcionamiento el refrigerador antes de instalar la conexión de agua, gire la máquina de hielo a la posición OFF (apagado) para evitar el funcionamiento sin agua.
- Todas las instalaciones deben cumplir con requerimientos locales de códigos de plomería.
- Use tuberías de cobre y controle posibles pérdidas.
- Instale tuberías sólo en áreas en donde las temperaturas se mantengan por encima del punto de congelación.
- La máquina de hacer hielo puede tardar hasta 24 horas en comenzar a producir cubitos.

Herramientas necesarias

- Destornillador estándar
- Llave inglesa de extremo abierto de 7/16 pulg. y 1/2 pulg. o dos llaves ajustables
- Llave de tuercas de 1/4 pulg
- Broca de perforadora de 1/4 pulg
- Perforadora de mano o eléctrica (con conexión a tierra adecuada)

**NOTA:** Los vendedores de refrigeradores ofrecen un kit con una válvula de retención de tipo montura, una unión, y una tubería de cobre. Antes de comprar, verifique que la válvula tipo montura cumpla con los códigos de plomería. **No utilice una válvula de montura del tipo perforadora o de 3/16 pulg., ya que reduce el flujo de agua y se tapa más fácilmente.**

**NOTA:** Deberá cumplirse con el Código de Plomería de la Mancomunidad de Massachusetts 248CMR. Las válvulas de montura son ilegales en Massachusetts y su uso no está permitido. Consulte con un plomero matriculado.

Suministro de agua fría

- La válvula de agua de la máquina de hielo contiene una arandela de flujo que se utiliza como un regulador de presión de agua.
- La máquina de hielo necesita estar conectada a una línea de agua fría con una presión de agua de 21~121 psi (1.5~8.5 kgf/cm<sup>2</sup>) en modelos sin filtro de agua y entre 43 y 121 psi (3~8.5 kgf/cm<sup>2</sup>) en modelos con filtro de agua.

## CÓMO CONECTAR LAS LÍNEAS DE AGUA

**IMPORTANTE:** Antes de conectar las tuberías a la línea de agua, desenchufe el refrigerador o desconecte la energía.

- Apague el suministro de agua principal y abra la canilla más cercana para liberar presión de la línea. Abrir una canilla externa puede ayudar a drenar agua de la línea del hogar.
- Busque una tubería vertical de agua FRÍA de 1/2 pulg. ubicada cerca del refrigerador.

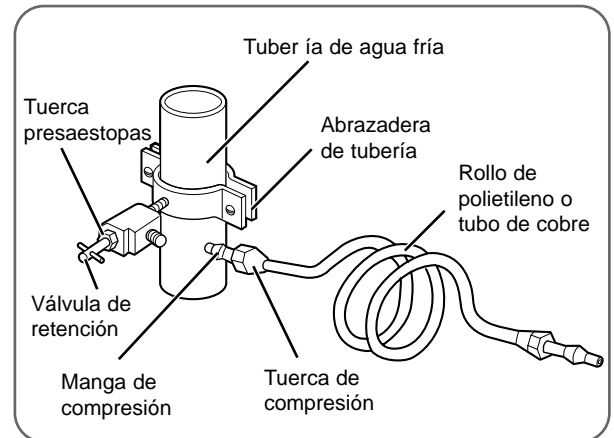
**NOTA:** Puede utilizarse una tubería horizontal, pero debe tomarse la siguiente precaución: Perfore la parte superior de la tubería, no la inferior. Esto servirá para mantener el agua lejos de la perforadora y también evitará que se acumule sedimento en la válvula.

- Para determinar la longitud de la tubería de cobre que necesitará, mida la distancia desde la conexión de la parte inferior izquierda del refrigerador hasta la tubería de agua. Agregue 7 pies (2.1 m) para permitir el desplazamiento del refrigerador para la limpieza. Use tuberías de cobre de 1/4 pulg. de diámetro externo. Verifique que ambos lados de la tubería de cobre estén cortados en ángulo recto.
- Con una perforadora, realice un orificio de 1/4 pulg. en la tubería de agua fría.

## CÓMO CONECTAR LAS LÍNEAS DE AGUA (CONT.)

- Conecte la válvula de retención a la tubería de agua fría con la abrazadera. Asegúrese de que el extremo de la salida se encuentre bien colocado en el orificio de 1/4 pulg. de la tubería de agua y que la arandela esté bajo la abrazadera de la tubería. Ajuste la tuerca prensaestopas. Ajuste los tornillos de la abrazadera con cuidado y en forma pareja para que la arandela haga un sellado hermético. No ajuste de más ya que puede romper la tubería de cobre, especialmente si utiliza tubería de cobre blanda (enrollada). Ya está listo para conectar la tubería de cobre.
- Deslice la manga de compresión y la tuerca de compresión en la tubería de cobre como puede verse. Introduzca el extremo de la tubería en la salida hasta donde sea posible. Atornille la tuerca de compresión en el extremo de la salida con una llave inglesa. Una llave para tuercas cónicas es lo mejor, pero es suficiente una llave de extremo abierto. No ajuste de más.

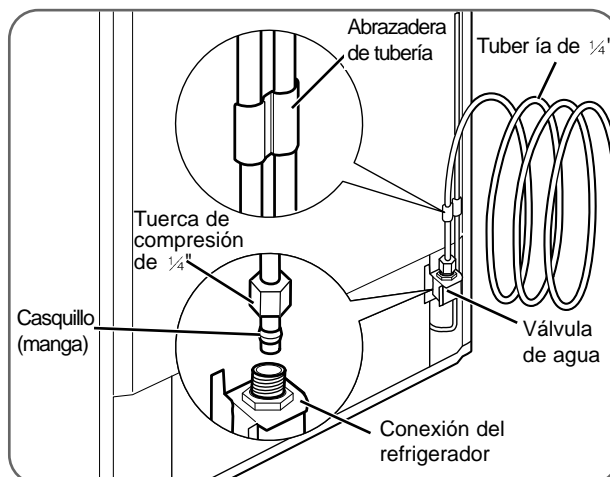
- Coloque el extremo libre de la tubería en el recipiente o fregadero, y abra el suministro de agua principal. Haga circular agua por la tubería hasta que el agua salga limpia. Cierre la válvula de retención de la tubería de agua. Enrosque la tubería de cobre como puede verse.



**IMPORTANTE:** Antes de conectar la tubería al refrigerador, asegúrese de que el cable de energía del refrigerador no esté enchufado en el tomacorriente.

Si su refrigerador no cuenta con un filtro de agua incorporado, recomendamos la instalación de un filtro de agua externo en línea. Si el suministro de agua contiene arena o partículas, dicho sedimento podría taponar el filtro de la válvula de agua del refrigerador. Instale el filtro en la línea de agua cerca del refrigerador.

**NOTA:** Si su refrigerador está equipado con un filtro de agua interno, no deberá utilizarse un filtro de agua externo en línea.



- Quite la tapa plástica flexible de la válvula de agua.
- Coloque la tuerca de compresión y casquillo (manga) en el extremo de la tubería como puede verse.
- Introduzca el extremo de la tubería de cobre en la conexión lo más adentro posible. Mientras sostiene la tubería, ajuste el accesorio.

**IMPORTANTE:** Ajuste las conexiones que tengan pérdidas. Abra el agua desde la válvula de retención.

- Enchufe el refrigerador.
- Coloque el rollo de tubería de cobre detrás del refrigerador de modo que no vibre contra la parte trasera del refrigerador o la pared.
- Controle la presencia de pérdidas.
- Purgue los primeros 6 vasos de agua obtenidos después de la instalación. **NOTA:** El agua puede tardar unos segundos en comenzar a fluir hasta que el tanque interno se llene y el aire desaparezca de las líneas.
- Empuje el refrigerador contra la pared.
- Coloque el interruptor de la máquina de hacer hielo en la posición ON (encendido).

**NOTA:** La máquina de hielo comenzará a funcionar cuando alcance la temperatura de 15°F (-9°C). Comenzará a funcionar de manera automática.

**NOTA:** Deseche las primeras tandas de hielo (cerca de 20 cubitos).

## CÓMO NIVELAR LAS PUERTAS DEL REFRIGERADOR

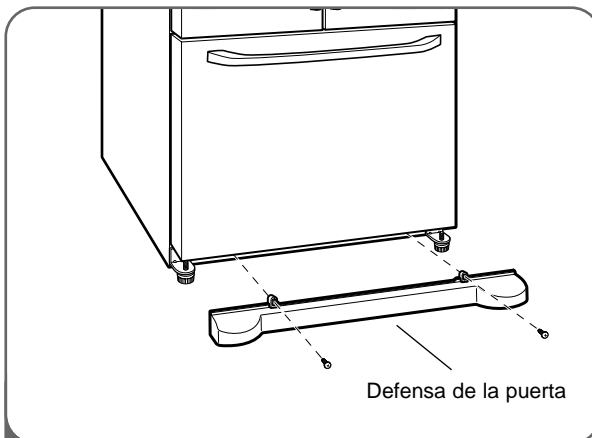
### ⚠️ ADVERTENCIA

#### Peligro de descarga eléctrica

- Tenga cuidado al trabajar con las bisagras, parrilla de la base, y retén. Puede resultar herido.
- No coloque sus manos, pies, o varillas de metal en los orificios de ventilación, parrilla de la base, o parte inferior del refrigerador. Puede lesionarse o recibir una descarga eléctrica.

### Nivelación

Su refrigerador cuenta con dos patas niveladoras en el frente, una sobre la derecha y otra sobre la izquierda. Ajuste las patas para modificar la inclinación de frente a parte trasera o de lado a lado. Si su refrigerador no parece estable o si desea que las puertas se cierren más fácilmente, ajuste la inclinación del refrigerador siguiendo las siguientes instrucciones:



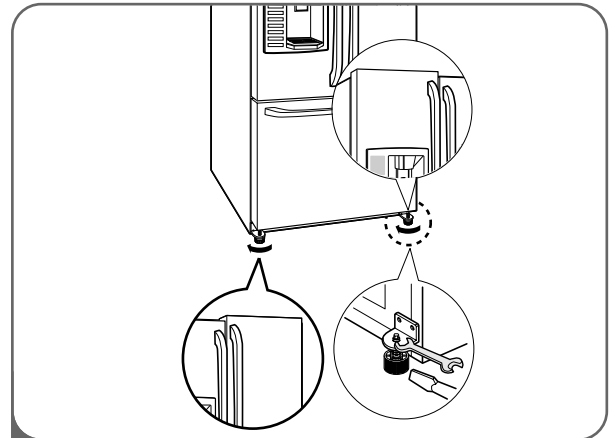
- 1 Enchufe el cable de energía en un tomacorriente de tres patas con conexión a tierra y desplace el refrigerador a su ubicación final. Quite los tornillos de la defensa de la puerta y luego la defensa de la puerta.

- Abra el cajón del congelador.
- Una vez abierto el cajón, queda suficiente espacio para quitar los tornillos ubicados sobre la defensa de la puerta.

**NOTA:** Para volver a instalar la defensa, colóquela en su lugar y luego introduzca los tornillos.

### ⚠️ PRECAUCIÓN

- A fin de evitar posibles lesiones o daños al producto y a la propiedad, harán falta dos personas para llevar a cabo las siguientes instrucciones.



- 2 Nivele el refrigerador mediante una llave de 8mm o un destornillador de punta plana. Suba (en sentido horario) o baje (en sentido antihorario) la pata izquierda /derecha para nivelar el refrigerador.

**NOTA:** Si alguien empuja el refrigerador hacia atrás desde la parte superior, se quita peso sobre las patas de nivelación, lo que facilita el ajuste.

Abra las dos puertas para verificar que cierren bien. Si no, eleve las patas niveladoras girando las dos en forma equitativa en sentido de las agujas del reloj.

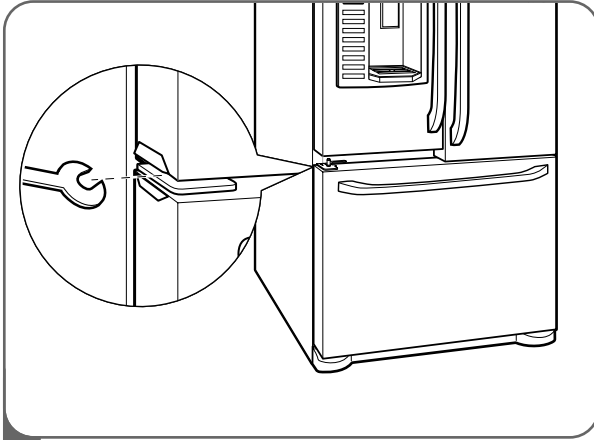
Una vez que el refrigerador esté nivelado, vuelva a colocar la defensa de la puerta.

**NOTA:** Su nuevo refrigerador tiene un diseño original de dos puertas para alimentos frescos. Las dos puertas pueden abrirse o cerrarse de manera independiente. Tendrá que ejercer un poco de presión sobre las puertas para cerrarlas por completo.



## CÓMO NIVELAR LAS PUERTAS DEL REFRIGERADOR (CONT.)

### ALINEACIÓN DE LAS PUERTAS



- 1 • Desmonte la rejilla base.
  - Gire los soportes niveladores para aumentar (CCW) o disminuir (CW) la altura de la parte frontal del frigorífico utilizando el destornillador de cabeza plana o la llave de 11/32" pulg.
  - Use the wrench (Included with the User Manual) to adjust the bolt in the door hinge to adjust the height. (CCW to raise or CW to lower the height.)

## INICIO

Antes de cargar su refrigerador con alimentos frescos:

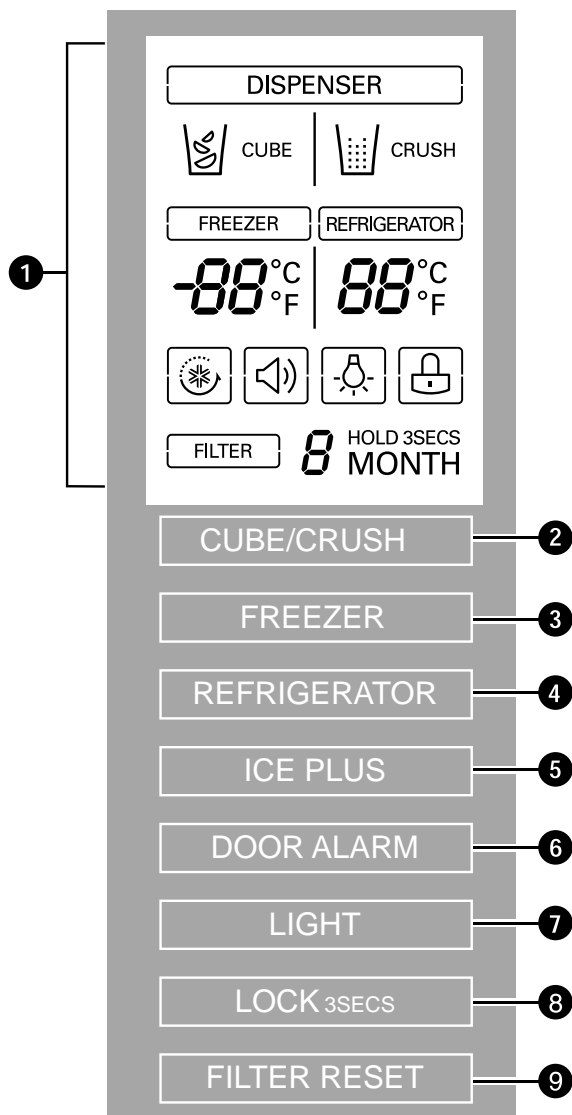
- Quite cintas adhesivas o etiquetas temporarias de su refrigerador antes del uso. Para quitar restos de adhesivos, frote el área con el pulgar, o frote una pequeña cantidad de detergente de platos sobre el adhesivo con sus dedos. Limpie con agua tibia y seque. No utilice instrumentos filosos, alcohol, líquidos inflamables, o limpiadores abrasivos para quitar cinta adhesiva o pegamento.  
**NOTA:** No quite etiquetas de advertencia, la etiqueta con el modelo y número de serie, o la planilla técnica adherida sobre la pared trasera del refrigerador.
- Limpie muy bien su refrigerador y elimine todo el polvillo que se haya podido acumular durante el envío.

- Instale los accesorios tales como el recipiente de cubitos de hielo, cajones, y estantes en sus lugares indicados. Están embalados juntos para evitar posibles daños durante el transporte.
- Ajuste la temperatura deseada para el refrigerador y congelador (ver Cómo ajustar la temperatura y las funciones).
- Deje funcionar su refrigerador por lo menos 2 o 3 horas antes de guardar alimentos. Verifique que el flujo de aire frío en el congelador para garantizar un enfriamiento adecuado. Su refrigerador ya está listo para usar.

# CÓMO UTILIZAR

## CARACTERÍSTICAS DEL PANEL DE CONTROL

Para detalles completos sobre las funciones de los botones, ver páginas 108-110.



### 1 PANTALLA DE LCD

La pantalla de LCD muestra las configuraciones de temperatura, opciones del dispensador, y el filtro de agua, alarma de la puerta, y mensajes de estado de trabado. La pantalla puede cambiarse al Modo Ahorro de Energía, por el cual sólo se encienden luces cuando se abre una puerta o se presiona un botón.

### 2 BOTÓN CUBITO/PICADO

El botón CUBITO/PICADO permite elegir entre cubitos de hielo o hielo picado.

### 3 BOTÓN FREEZER

Pulse el botón FREEZER (Congelador) para ajustar la temperatura del compartimento del frigorífico.

**NOTA:** Cuando lo presiona simultáneamente con el botón REFRIGERATOR (refrigerador) durante más de cinco segundos, la pantalla de temperatura cambiará de Fahrenheit a Celsius o viceversa. Cuando se presiona simultáneamente con el botón ICE PLUS durante cinco segundos, la pantalla de Modo Ahorro Energía encenderá y apagará esta función.

### 4 BOTÓN REFRIGERATOR

Presione el botón REFRIGERATOR (refrigerador) para ajustar la temperatura del refrigerador.

**NOTA:** Cuando lo presiona simultáneamente con el botón FREEZER durante más de cinco segundos, la pantalla de temperatura cambiará de Fahrenheit a Celsius o viceversa.

### 5 BOTÓN ICE PLUS

Pulse este botón para activar la función ICE PLUS, la cual aumenta la producción de hielo en aprox. un 20 por ciento.

### 6 BOTÓN ALARMA DE LA PUERTA

Pulse este botón para controlar la alarma cuando la puerta esté abierta.

### 7 BOTÓN LUZ

El botón LUZ permite controlar la lámpara del dispensador.

### 8 BOTÓN BLOQUEO

Pulse este botón para bloquear o desbloquear las funciones del resto de botones del panel de control, incluyendo el funcionamiento del dispensador.

### 9 BOTÓN RESTABLECER FILTRO

El botón RESTABLECER FILTRO restablece el indicador de sustitución del filtro de agua una vez que éste se ha cambiado.

## PANTALLA de LCD

La pantalla de LCD muestra las configuraciones de temperatura, opciones del dispensador, y el filtro de agua, alarma de la puerta, y mensajes de estado de trabado.

### 1 INDICADORES DE SELECCIÓN DEL DISPENSADOR

Muestra la selección de hielo triturado, agua, o cubitos que se servirá cuando se presione el interruptor.

### 2 TEMPERATURA DEL CONGELADOR

Indica la temperatura establecida del congelador en Celsius o Fahrenheit.

### 3 TEMPERATURA DEL REFRIGERADOR

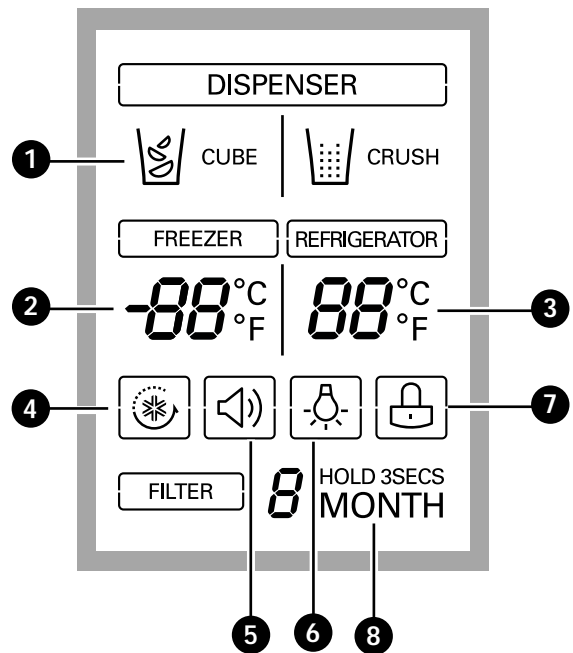
Indica la temperatura establecida del refrigerador en Celsius o Fahrenheit.

### 4 ESTADO CONGELACIÓN RÁPIDA

Si pulsa el botón CONGELACIÓN RÁPIDA, la pantalla mostrará la función seleccionada que se ha activado.

### 5 INDICADOR DE ALARMA DE PUERTA

Este indicador señala que se ha activado la alarma de advertencia de apertura de puerta.



### 6 INDICADOR DE LUZ DEL DISPENSADOR

Si pulsa el botón LUZ, la pantalla mostrará la función seleccionada. Cuando la luz del dispensador está encendida, este indicador aparecerá en el panel de visualización.

### 7 ESTADO DE TRABADO

Este indicador muestra que el estado actual de las funciones del panel de control se encuentra configurado en LOCK (trabado).

### 7 ESTADO DEL FILTRO DE AGUA

Este indicador muestra el estado actual del filtro de agua. Ver Reconfiguración del indicador del filtro.

# CÓMO UTILIZAR

## CÓMO AJUSTAR LAS TEMPERATURAS Y LA PANTALLA

### Ajuste de la temperatura del congelador

Para ajustar la temperatura del congelador, presione el botón FREEZER para desplazarse a través de las opciones de configuración.

FREEZER

0°F

### Ajuste de la temperatura del refrigerador

Para ajustar la temperatura del refrigerador, presione el botón REFRIGERATOR para desplazarse a través de las opciones de configuración.

REFRIGERATOR

37°F

**NOTA:** La temperatura interna real varía en relación al estado de los alimentos, ya que la configuración de temperatura indicada es la temperatura objetivo y no la temperatura real dentro del refrigerador.

Inicialmente configure el CONTROL DEL REFRIGERADOR en 37°F (3°C). Deje esta configuración durante 24 horas (un día) para estabilizar. Luego ajuste la temperatura como se indica.

FREEZER

REFRIGERATOR

### Visualización de temperatura

Para cambiar la visualización de temperatura de Fahrenheit a Celsius:

- Simultáneamente presione y sostenga los botones FREEZER y REFRIGERATOR durante más de 5 segundos.
- Realice los mismos pasos para convertir de vuelta a Fahrenheit.

## CÓMO OPERAR EL DISPENSADOR

Para dispensar el hielo, seleccione Hielo en cubitos o Hielo triturado y pulse el botón del hielo con un vaso o con otro recipiente.

Para dispensar el agua, pulse el botón del agua con un vaso o con otro recipiente.

Para obtener agua, coloque un vaso u otro recipiente en el lugar de salida del agua y a continuación presione el botón de activación ejerciendo presión con el dedo.

### CÓMO DISPENSAR HIELO TRITURADO

CUBE/CRUSH



Presione el botón DISPENSER para iluminar el ícono de hielo triturado. Presione el interruptor de presión con un vaso u otro recipiente y se expondrá hielo triturado.

### CÓMO DISPENSAR AGUA



Presione el botón DISPENSER para iluminar el ícono de agua. Presione el interruptor de presión con un vaso u otro recipiente y se expondrá agua bien fría.

Cuando el botón del agua o el de activación del agua esté pulsado, se iluminará la luz.

### CÓMO DISPENSAR CUBITOS DE HIELO

CUBE/CRUSH



Presione el botón DISPENSER para iluminar el ícono de cubitos de hielo. Presione el interruptor de presión con un vaso u otro recipiente y se expondrán cubitos de hielo.

### CÓMO CONTROLAR LA LUZ DEL DISPENSADOR

LIGHT



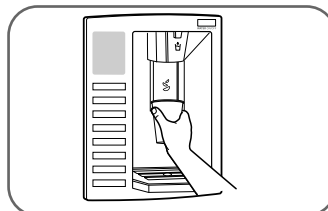
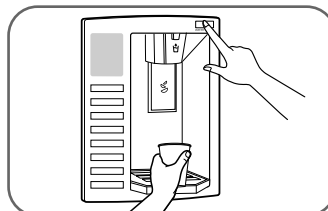
Presione el botón LIGHT/FILTER (luz/ filtro) para encender y apagar la luz del dispensador.

**NOTA:** Sostenga el vaso u otro recipiente en su lugar durante unos segundos después de servirse hielo o agua para retener los últimos cubitos o gotas. El dispensador está diseñado para no funcionar cuando las puertas del refrigerador están abiertas.

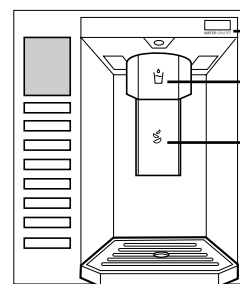
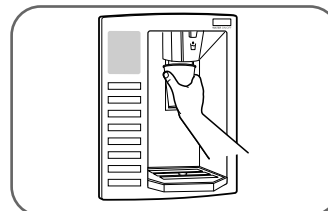
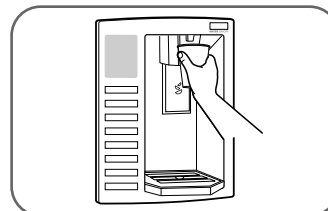
## ⚠ PRECAUCIÓN

Cuando abra el compartimento ligeramente, manténgase lo más cerca posible de la salida del agua o del dispensador de hielo.

### Incorrect



### Correct



BOTÓN PARA ACTIVAR EL AGUA

PULSADOR DE AGUA

PULSADOR DE HIELO



# CÓMO UTILIZAR

## CÓMO CONFIGURAR LAS FUNCIONES

Presione el botón de la función deseada para visualizar y seleccionar otras configuraciones.

**NOTA:** Algunas funciones están disponibles sólo en modelos selectos.

### CÓMO CONFIGURAR LA TRABA DEL DISPENSADOR

LOCK 3SECS



Presione y sostenga el botón ALARM/ LOCK (alarma/traba) durante tres segundos para trabar el dispensador y todos las otras funciones del panel de control. Presione y sostenga de nuevo por 3 segundos para destrabar.

### CÓMO CONFIGURAR LA ALARMA DE LA PUERTA

DOOR ALARM



El botón ALARM/LOCK también controla la alarma de puerta abierta que suena tres veces a intervalos de 30 segundos cuando se deja abierta una puerta por más de 60 segundos. La alarma deja de sonar cuando se cierra la puerta.

Presione el botón ALARM/LOCK una vez para activar y desactivar la función de alarma de puerta.

**NOTA:** Contacte el centro de servicio local si la alarma sigue sonando después de cerradas las puertas.

### CÓMO RECONFIGURAR EL INDICADOR DE FILTRO

FILTER RESET

HOLD 3SECS  
MONTH

Presione y sostenga el botón LIGHT/FILTER (luz/filtro) por más de 3 segundos para reconfigurar el indicador de filtro después de que haya sido cambiado el filtro de agua.

**NOTA:** Se recomienda recambiar el filtro cuando la luz del indicador del filtro del agua alcance 0 o cuando el agua o los cubitos sepan mal.

### CÓMO ACTIVAR LA FUNCIÓN ICE PLUS

ICE PULS



Presione el botón ICE PLUS una vez para activar la función Ice Plus. El ícono ICE PLUS del panel de visualización se iluminará cuando se active.

La función Ice Plus, la sección del refrigerador funcionará a la temperatura más baja posible durante 24 horas para aumentar la producción de hielo un 20 %, y a continuación se apagará automáticamente.

**NOTA:** Pulse el botón de nuevo para cancelar la función Ice Plus.

## DIAGNÓSTICO DE DETECCIÓN DE FALLAS

La función de diagnóstico automáticamente detecta problemas en su refrigerador. Cuando suceda, un código de diagnóstico aparecerá en la pantalla. **NOTA:** Si un código de diagnóstico aparece en la pantalla durante el uso, registre el código y llame al **1-800-243-0000** (24 horas al día/7 días por semana) y seleccione la opción para ubicar un centro de reparación autorizado.

## RESERVORIO DE HIELO EN LA PUERTA

### ⚠ PRECAUCIÓN

- Mantenga manos y herramientas fuera de la puerta del reservorio de hielo y de la tolva del dispensador. Podría romper algo o lesionarse.

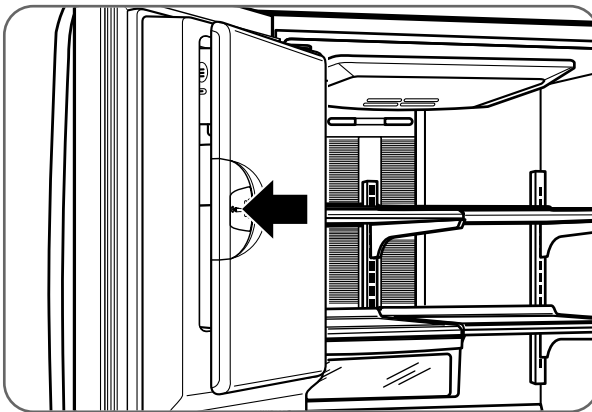
La máquina de hielo deja de producir hielo cuando se llena el reservorio de hielo. Si necesita más hielo, vacíe el reservorio de hielo en el recipiente de hielo extra del congelador para que la máquina de hielo pueda seguir produciendo hielo.

Sacuda el reservorio de hielo de vez en cuando para nivelar el hielo. A veces el hielo se apila cerca de la máquina de hielo, y ésta interpreta que hay suficiente hielo y detiene la producción.

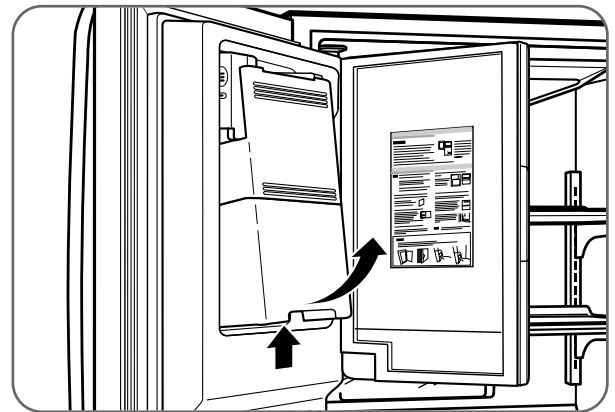
**NOTA:** Guardar latas u otros elementos en el reservorio de hielo puede dañar la máquina de hielo.

Mantenga la puerta del reservorio de hielo bien cerrada. Si el reservorio de hielo no se cierra bien, el aire frío del mismo congelará los alimentos del refrigerador. Esta también podría provocar que la máquina de hacer hielo deje de producirlo.

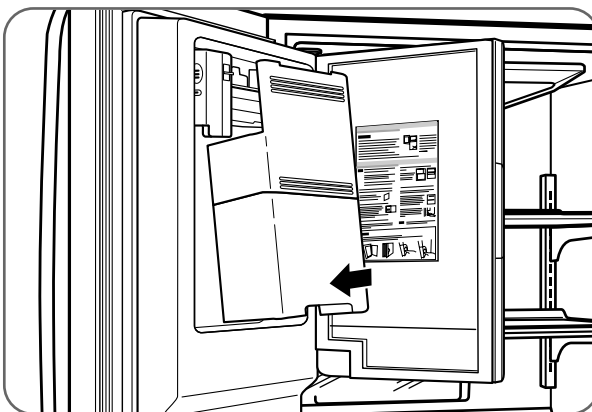
**NOTA:** Si el interruptor On/Off de la heladera permanece en Off (apagado) durante un periodo prolongado de tiempo, el compartimento de hielo se calentará gradualmente, hasta alcanzar la temperatura del refrigerador. Para evitar que se derritan los cubitos y se derramen del dispensador, vacíe la cubitera cuando la heladera esté en Off durante más de **[MISSING TEXT: IF YOU MEANT "HOURS", THE TRANSLATION WOULD BE "UNAS HORAS", OTHERWISE RESEND]**



Presione en el pestillo con firmeza donde se señala para cerrar la puerta del reservorio de hielo; hará un "clic" cuando se cierre por completo.



Para quitar el reservorio de hielo en la puerta, tome la manija frontal, levante un poco la parte inferior, y lentamente saque el recipiente como puede verse.



Para reinstalar el reservorio de hielo de la puerta, doble un poco el recipiente para evitar contacto con la máquina de hacer hielo.



Evite tocar el brazo de apagado automático cuando reemplace el reservorio de hielo. Para más detalles, vea la etiqueta de la puerta del reservorio de hielo.

## MÁQUINA AUTOMÁTICA PARA HACER HIELO

El hielo se fabrica en la máquina automática y se envía al dispensador. La máquina de hielo puede hacer 6 cubitos por vez, 100–130 unidades por período de 24 horas. Esta cantidad puede variar en diferentes circunstancias, como temperatura del congelador, temperatura ambiente, apertura de puertas y carga del congelador, y otras condiciones operativas.

- Un refrigerador recién instalado tarda 12–24 horas en hacer hielo.
- La fabricación de hielo se detiene cuando el recipiente de almacenamiento de hielo se llena.
- El tamaño del cubo variará según el Ajuste de selección de la cantidad de agua, así como según la propia agua
- Puede ajustar el tamaño del cubo pulsando el Botón de selección de la cantidad de agua.
- El tamaño de los cubitos puede regularse presionando el Botón de Selección de Tamaño.

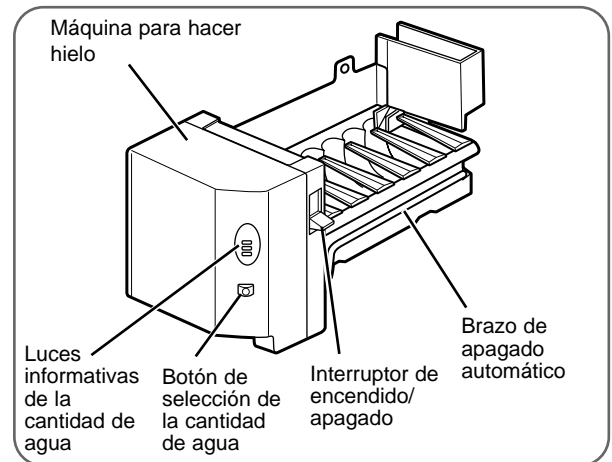
**NOTA:** Es normal que se produzcan ruidos cuando el hielo cae dentro del recipiente de almacenamiento.

- La llave de agua funciona incluso con la tubería de agua no conectada y la heladera activada. El ruido se debe a que la tubería de agua no está conectada y no indica un fallo en la heladera.

## ⚠️ ADVERTENCIA

### Peligro de lesiones personales

- Evite el contacto con las piezas en movimiento del mecanismo eyector o con el elemento calentador que libera los cubitos. NO coloque sus dedos o manos en el mecanismo de la máquina para hacer hielo mientras el refrigerador se encuentre enchufado.



**NOTA:** Levantar el brazo de apagado automático no apaga la máquina de hacer hielo.

## ⚠️ PRECAUCIÓN

- Cuando se utiliza por primera vez, el hielo y el agua pueden incluir partículas u olores provenientes de la línea de suministro de agua o del tanque de agua.
- Arroje las primeras tandas de hielo (cerca de 20 unidades) y purgue los primeros 6~7 vasos de agua expendidos después de la instalación.
- Esto también es necesario si el refrigerador no ha sido usado durante un largo período.
- Nunca coloque latas de bebida u otros alimentos en el reservorio de hielo para lograr un enfriamiento rápido. Hacerlo puede dañar la máquina de hacer hielo o los recipientes pueden explotar.
- Si se obtiene hielo descolorido, verifi que el fi ltro de agua y el suministro de agua. Si el problema continúa, comuníquese con un Centro de Atención Autorizado. No consuma el hielo o el agua hasta corregir el problema.
- Mantenga a los niños alejados del dispensador. Los niños pueden jugar con él o dañar los controles.
- El paso de hielo también puede bloquearse con escarcha si sólo se utiliza hielo triturado. Retire la escarcha que se acumula.

- Nunca utilice vasos de cristal delgado o vajilla de loza para recoger hielo. Dichos recipientes pueden romperse, y los fragmentos de vidrio pueden caer en el hielo.
- Recoja el hielo en un vaso antes de llenarlo con agua u otras bebidas. Pueden provocarse salpicaduras si se sirve hielo en un vaso que ya contiene líquido.
- Nunca utilice un vaso demasiado angosto o profundo. El hielo puede trabarse en el paso del hielo y puede afectar el funcionamiento del refrigerador.
- Mantenga el vaso a una distancia prudencial de la salida del hielo. Si sostiene el vaso demasiado cerca puede bloquear la salida del hielo.
- Para evitar lesiones personales, mantenga las manos lejos de la puerta y del paso del hielo.
- Nunca quite la tapa de la máquina de hielo.
- Si descubre que sale hielo o agua inesperadamente, cierre el suministro de agua y comuníquese con un Centro de Atención Autorizada. Llame al **1-800-243-0000** (24 horas al día, 365 días al año) y seleccione la opción para ubicar un técnico autorizado.



## CONTROL DE HUMEDAD DEL CAJÓN DE VERDURAS Y FRUTAS OPTIBIN™

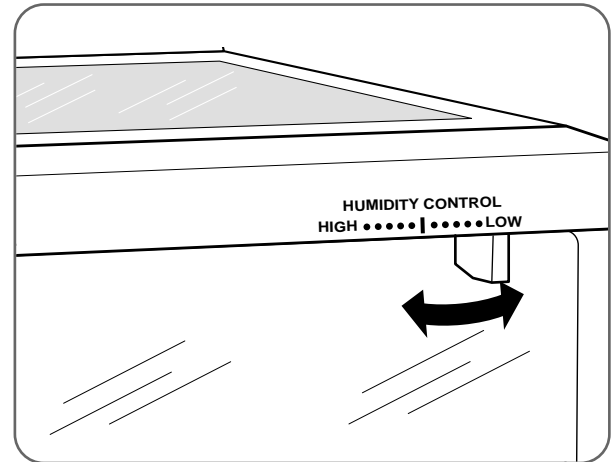
Con humedad fácil de controlar dentro de los recipientes, los cajones Optibin garantizan frutas y vegetales de un sabor más fresco.

Los cajones Optibin incluyen un botón de control de humedad en la parte frontal de la cubierta de los cajones.

Usted puede controlar la cantidad de humedad dentro de los cajones, que cuentan con un sellado para ese propósito. Conserve vegetales o frutas que requieran más o menos humedad en cajones separados. Ajuste el control entre Alto (H) y Bajo (L).

Una configuración de menor humedad deja salir del cajón el aire húmedo para una mejor conservación de frutas.

Una configuración de mayor humedad mantiene el aire del cajón húmedo para una mejor conservación de vegetales de hoja frescos.



## ALMACENAMIENTO DE ALIMENTOS

- Guarde los alimentos frescos en el refrigerador.
- La manera en que los alimentos se congelan y descongelan es un factor importante para mantener la frescura y el sabor.
- No almacene alimentos que se echan a perder con facilidad, como bananas y melones, a bajas temperaturas.
- Deje que los alimentos calientes se enfríen antes de almacenarlos; colocar alimentos calientes en el refrigerador puede arruinar otros alimentos y provocar un mayor consumo de energía.
- Al guardar alimentos, cúbralos con un envoltorio plástico o deposítelos en un recipiente con tapa. Esto evita que la humedad se evapore y ayuda a que los alimentos mantengan su sabor y nutrición.
- No bloquee las ventilaciones de aire con alimentos o contenedores. Una buena circulación de aire frío mantiene constantes las temperaturas del refrigerador.
- No abra las puertas con frecuencia. Cuando se abren las puertas del refrigerador y del freezer, ingresa aire caliente, lo que provoca un aumento de las temperaturas.
- Nunca sobrecargue los estantes de la puerta; si lo hace, los productos pueden golpear contra los estantes internos y evitar que las puertas se cierren correctamente.

### Congelador

- No guarde botellas de vidrio en el congelador; el vidrio puede romperse cuando los contenidos se congelen.
- No vuelva a congelar alimentos que han sido descongelados. Esto provoca pérdida de sabor y de nutrición.
- No toque alimentos o recipientes fríos, en especial hechos de metal, con manos húmedas o coloque productos de vidrio en el congelador.
- No utilice la huevera como un recipiente para hielo en el congelador. La huevera se romperá con facilidad si se congela.

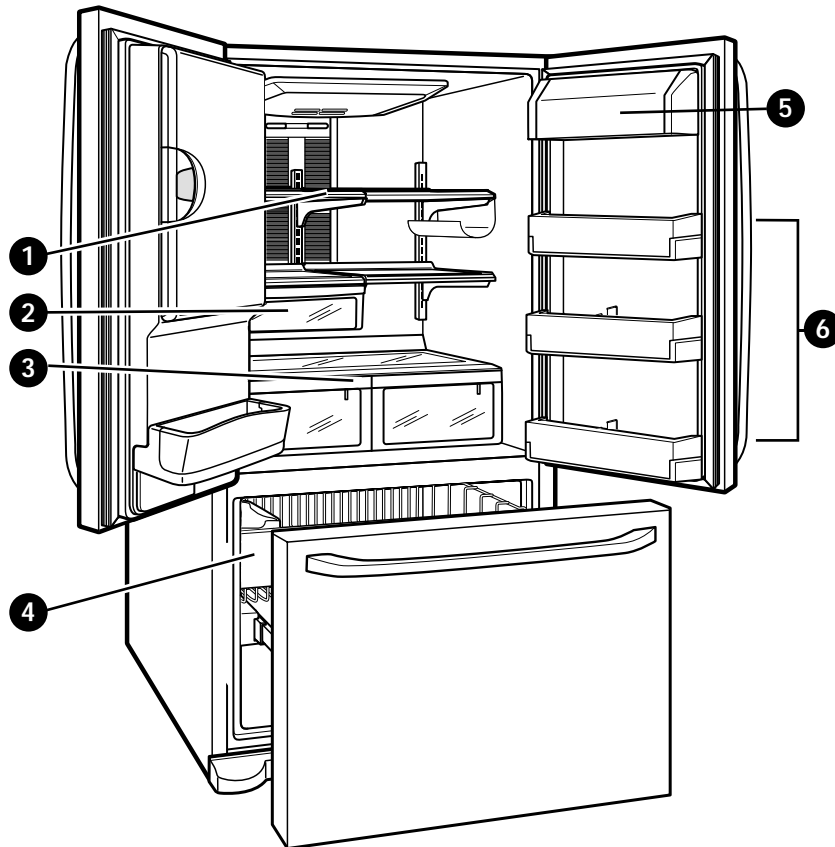
### Refrigerador

- No coloque alimentos húmedos en los estantes superiores del refrigerador, ya que podrían congelarse por contacto directo con el aire frío.
- Siempre lave los alimentos antes de colocarlos en el refrigerador. Los vegetales y frutas deben lavarse y secarse, y los alimentos empaquetados deben secarse para evitar que los alimentos cercanos se echen a perder.

**NOTA:** Instalar el refrigerador en un lugar caliente y húmedo, la frecuente apertura de la puerta o guardar muchos vegetales en el refrigerador puede generar condensación. Limpie la condensación con un paño limpio o una toalla de papel.

# CÓMO UTILIZAR

## UBICACIÓN DE ALIMENTOS



### 1 ESTANTES DEL REFRIGERADOR

Guarde productos, fuentes, y recipientes más grandes en los estantes expansivos del refrigerador.

### 2 BANDEJA PARA APERITIVOS

Conserve alimentos pequeños como pan y snacks.

### 3 CAJONES

Conserve vegetales o frutas con control de humedad.

### 4 CAJÓN DEL FREEZER DESLIZABLE

Almacene pequeños alimentos congelados y empaquetados, o conserve carne, pescado, y pollo envueltos en papel metálico. Guarde los productos secos.

### 5 RINCÓN PARA LÁCTEOS

Conserve productos lácteos como manteca y queso.

### 6 RECIPIENTES DE PUERTA MODULARES

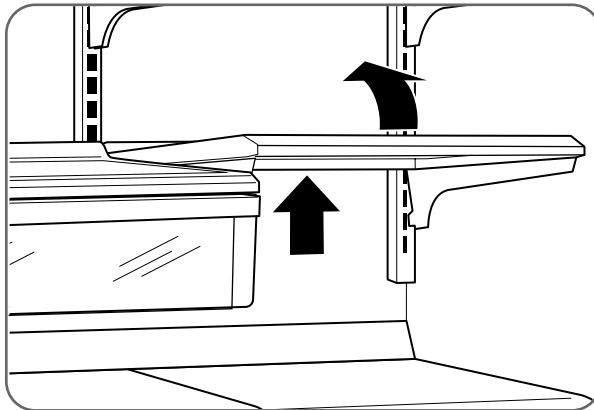
Almacene pequeños alimentos empaquetados y bebidas, como condimentos, condimentos para ensalada, alimentos para bebé, leche, o jugo.

## AJUSTE DE LA ALTURA DE LOS ESTANTES

Los estantes del refrigerador son ajustables para satisfacer sus necesidades de almacenamiento. Su modelo puede tener estantes de vidrio o de alambre. Guardar alimentos similares juntos en su refrigerador y ajustar los estantes a diferentes alturas facilitarán el acceso al elementos buscado; también reducirá el tiempo en que la puerta del refrigerador queda abierta, y así se ahorrará energía.

**IMPORTANTE:** No limpie estantes de vidrio con agua tibia cuando están fríos. Los estantes pueden romperse si se los expone a cambios de temperatura o a impactos. Para su protección, los estantes de vidrio están hechos de vidrio templado, el que se rompe en pequeños pedazos del tamaño de guijarros.

### Quite el estante



Incline hacia arriba el frente del estante.  
Levante la parte trasera y quite el estante.

**NOTA:** Los estantes de vidrio son pesados. Tenga mucho cuidado al quitarlos para evitar que caigan al suelo.

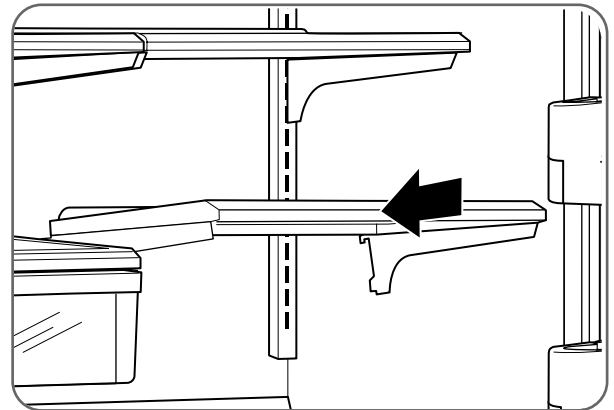
### Estantes ajustables

Quite los estantes de la posición de envío y cámbielos por la posición que desee.

### ⚠ MISE EN GARDE

Verifique que los estantes estén nivelados de lado a lado. Si no se hace, los estantes pueden caerse y derramar alimentos.

### Reinstale el estante



Incline el frente del estante y guíe los ganchos del estante dentro de las ranuras a la altura deseada. Luego baje el frente del estante para que los ganchos encajen en las ranuras.

# CUIDADO Y LIMPIEZA

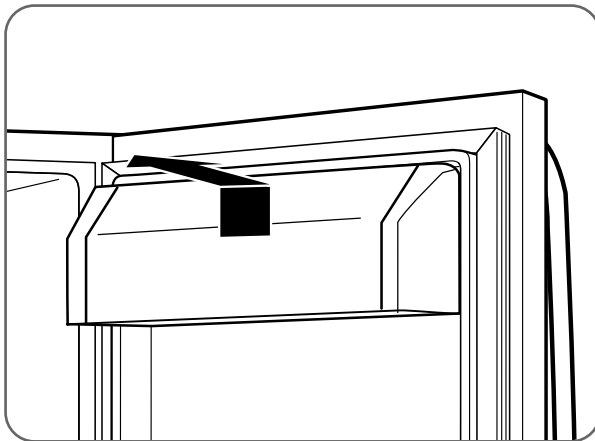
## CÓMO QUITAR Y REINSTALAR COMPONENTES

**NOTA:** Cuando reinstale componentes, invierta el orden de los pasos tomados al quitarlos. A fin de evitar daños, nunca aplique demasiada fuerza al quitar o reinstalar componentes.

## **⚠**PRECAUCIÓN

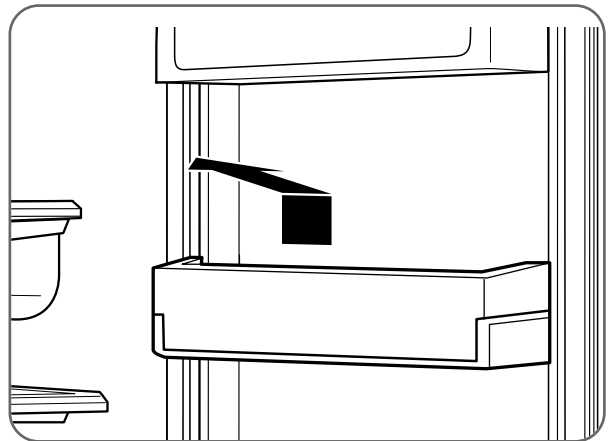
- Pueden provocarse lesiones personales si los recipientes de la puertas no están bien colocados.  
**NOTA:** NO ajuste un recipiente cargado.
- NO permita que los niños jueguen con los canastos. Los extremos afilados de los canastos pueden provocar lesiones.

### Recipiente de lácteos



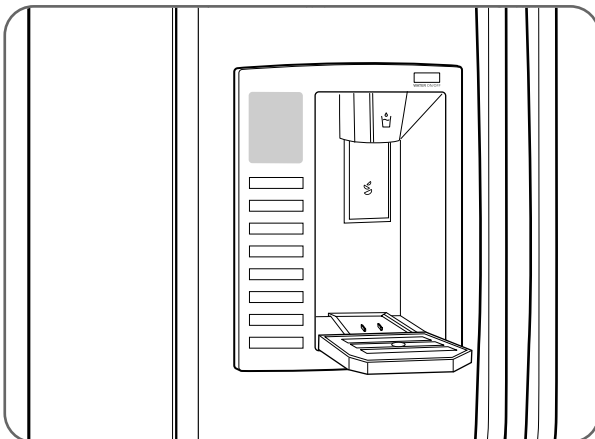
Para quitar el recipiente de lácteos, sólo levántelo y sáquelo. Para volver a colocarlo, deslícelo en su lugar y presiónelo hacia abajo hasta que se detenga.

### Recipiente de puerta modular

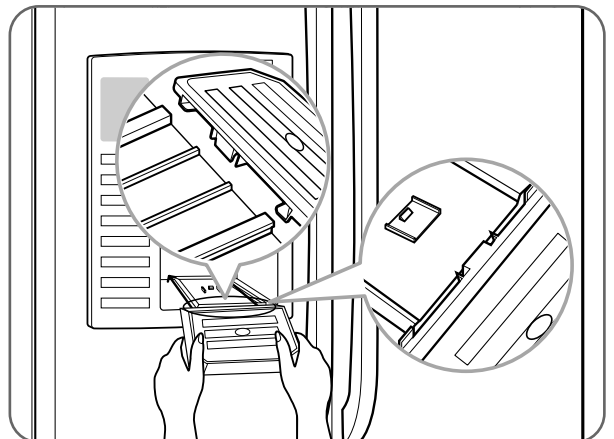


Los recipientes de la puerta son desmontables para una limpieza y ajuste sencillos. Sólo levante el recipiente y tire de él para retirarlo. Para volver a colocarlo, deslícelo sobre el soporte deseado y empujelo hacia abajo hasta que se detenga.

### Bandeja de goteo del dispensador

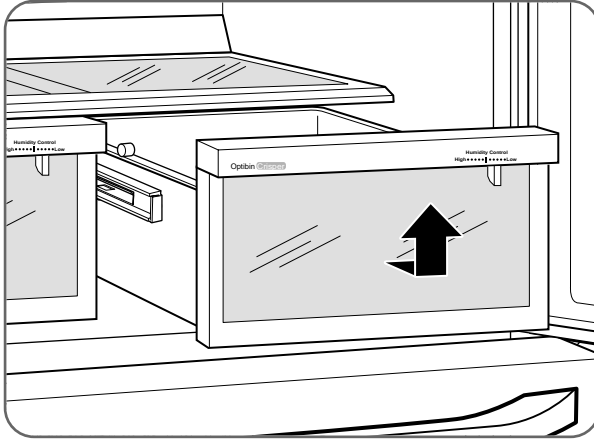


La bandeja de goteo del dispensador no tiene función autovaciante. Debe limpiarse de manera regular. Retire la tapa presionando y tirando de la bandeja. Séquela con un paño. Para reinstalar la bandeja, incline un poco el frente de la bandeja e introduzca los rebordes dentro de los orificios.



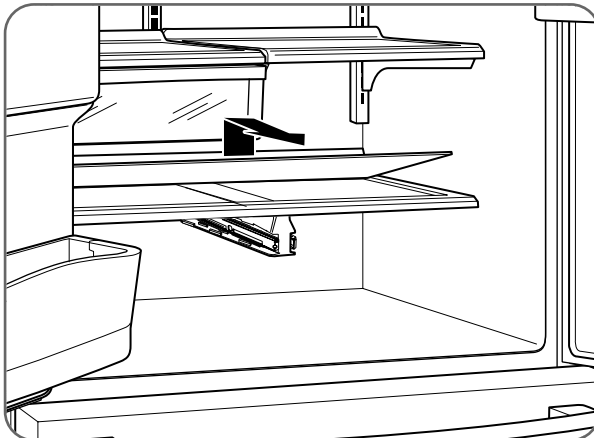
## CÓMO QUITAR Y REINSTALAR COMPONENTES (CONT.)

### Cajones Optibin™



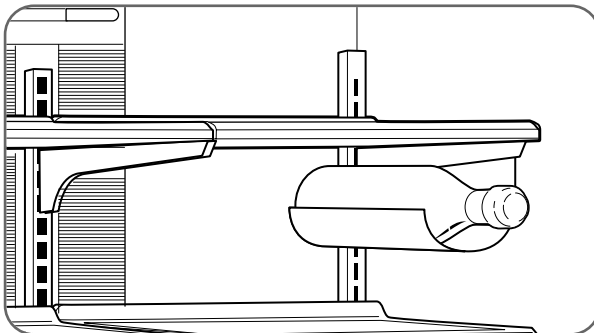
Para quitar el recipiente del cajón, sáquelo por completo. Levante el frente del cajón y quite el recipiente.

### Cómo quitar los cajones OptiBin™ (cont.)

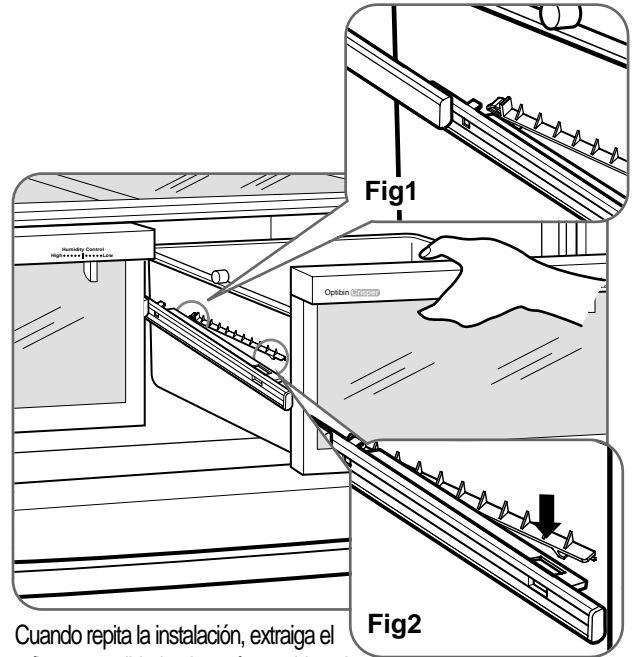


Para retirar el cristal de la cubierta del cajón, levante el cristal desde debajo de la cubierta del cajón. Tire del cristal hacia arriba y hacia afuera para sacarlo.

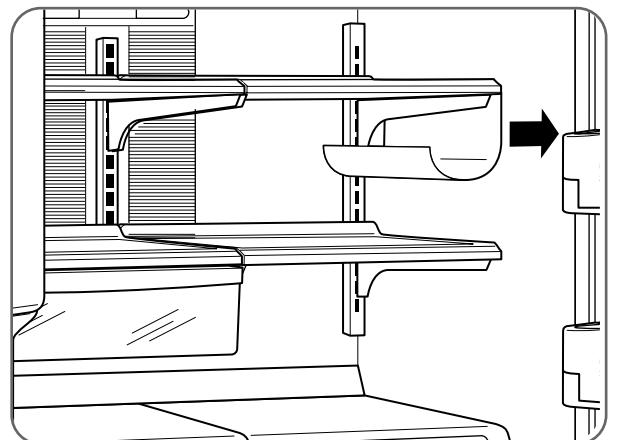
### Soporte de botellas



El soporte de botellas almacena botellas en posición horizontal. Puede colocarse en cualquier estante.



Cuando repita la instalación, extraiga el raíl en su totalidad y después combine el gancho 1 como se muestra en la Fig. 1 y el gancho como indica la Fig. 2.



Para quitar el soporte de botellas, tire de él hacia fuera y retírelo del estante. Para instalar el soporte de botellas, colóquelo en el extremo del estante deseado y empujelo hacia atrás hasta que quede en su lugar.

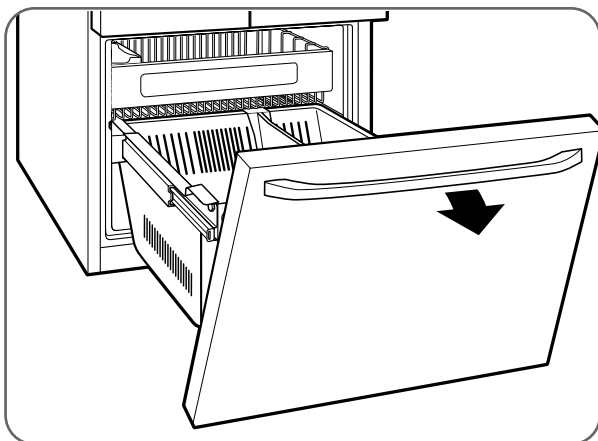
# CUIDADO Y LIMPIEZA

## CÓMO QUITAR Y REINSTALAR COMPONENTES (CONT.)

### ⚠ PRECAUCIÓN

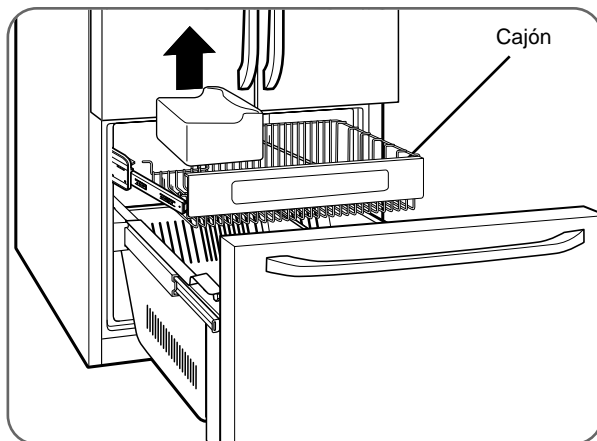
- Peligro de pellizco! Mantenga manos y pies lejos de la base de la puerta cuando la abra y cierra.

#### Puerta del congelador inclinable



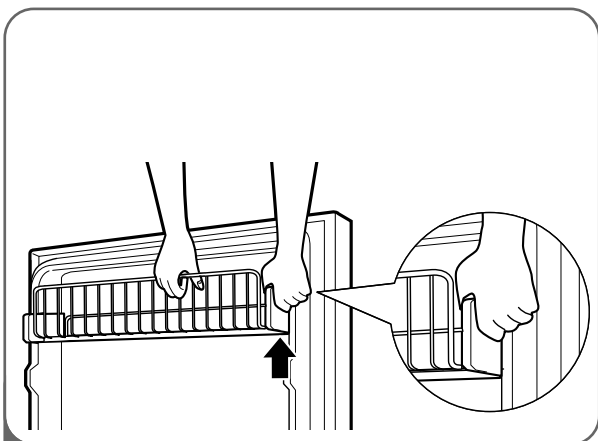
Para acceder la sección del congelador, incline la puerta hacia abajo y extiéndala por completo.

#### Recipiente de hielo

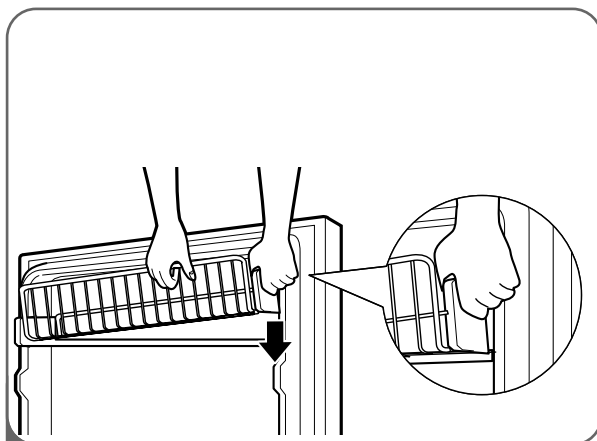


Para separar el recipiente de hielo, extienda el cajón por completo. Con suavidad, levante y quite el recipiente de hielo. Para volver a instalar, coloque el recipiente de hielo en su posición correcta.

#### Canasto de la puerta inclinable



- 1 Para quitar el canasto de la puerta inclinable, presione sobre el soporte de extremo, luego tire del extremo del canasto para quitarlo.



- 2 Para volver a colocar el cajón de la puerta inclinable, introduzca el soporte dentro de un lado y enganche un extremo del canasto al soporte. Luego, enganche el otro extremo del canasto en el otro soporte y empuje el soporte hacia abajo.

**NOTA:** Asegúrese de que la parte trasera del canasto esté ubicada detrás de la lengüeta de retención de cada soporte.

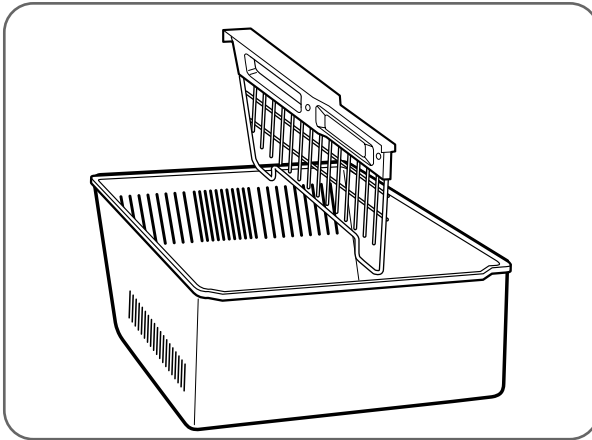
## CÓMO QUITAR Y REINSTALAR COMPONENTES (CONT.)

### **⚠️ ADVERTENCIA**

#### **Peligro de encierro para niños**

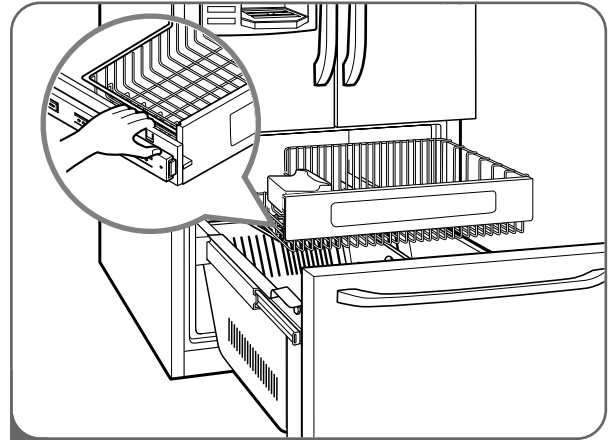
- Cuando quite la división del cajón del congelador, los niños pueden subirse.

#### **División DuraBase®**



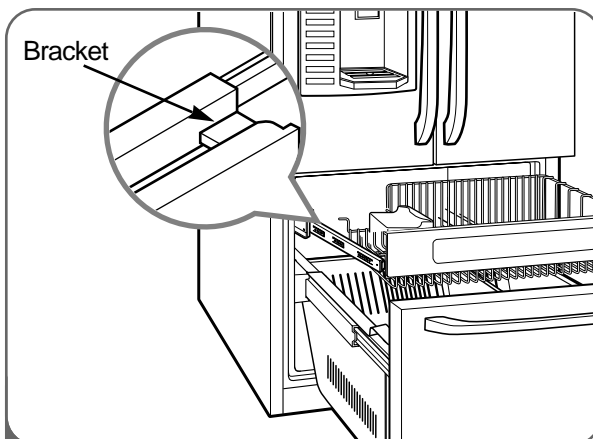
La división DuraBase organiza el área en secciones. Tire de la división hacia arriba para quitarla. Para volver a instalarlo, enganche las esquinas superiores de la división sobre el extremo superior del DuraBase.

#### **Cajón deslizable**



- 1 Para sacar el cajón, empuje las lengüetas situadas en la superficie interior delantera de cada raíl.

A continuación, levante con cuidado los lados derecho e izquierdo posteriores del cajón y tire hacia afuera.



- 2 Para volver a colocarlo, saque totalmente los dos raíles. Inserte el extremo del saliente en la abrazadera a izquierda y derecha.

Asegúrese de que las guías de la parte delantera estén correctamente alineadas y empújelas con cuidado hacia los dos laterales.

# CUIDADO Y LIMPIEZA

## CÓMO LIMPIAR EL REFRIGERADOR

### **⚠️ ADVERTENCIA:**

#### **Peligro de explosión**

- **Utilice limpiadores no inflamables.**
- **No hacerlo puede provocar la muerte, una explosión, o un incendio.**

Las secciones del refrigerador y del congelador se descongelan de manera automática. Sin embargo, limpie las dos secciones una vez al mes para prevenir olores. Limpie derrames de alimentos de inmediato.

- Desenchufe el refrigerador o desconecte la energía.
- Quite todas las piezas desmontables, como estantes y cajones.
- Use una esponja limpia o un paño con detergente suave en agua tibia. No utilice productos de limpieza abrasivos o fuertes.
- Lave a mano, enjuague, y seque bien todas las superficies.
- Enchufe el refrigerador o conecte la energía.

**NOTA:** Los pulverizadores para ventanas, limpiadores abrasivos, o los fluidos inflamables pueden rayar o dañar las tapas o paneles plásticos.

#### Cómo limpiar la parte externa

En modelos con exterior de acero inoxidable, use un limpiador de acero inoxidable disponible comercialmente de acuerdo con las instrucciones del fabricante. También puede usar una esponja limpia o un paño con detergente suave en agua tibia. No utilice productos de limpieza abrasivos o fuertes. Seque por completo con un paño suave.

**IMPORTANTE:** No use ceras de limpieza, detergentes concentrados, o limpiadores a base de petróleo en piezas plásticas del refrigerador como cubas interiores o juntas.

#### Cuidado y limpieza de la parte interna

**NOTA:** Espere a que el congelador suba la temperatura para que el paño de limpieza no se pegue. Para ayudar a quitar olores, limpie la parte interna del refrigerador con una mezcla de bicarbonato de sodio y agua tibia. Mezcle 1 cucharadita de bicarbonato de sodio en 1 cuarto de galón de agua (26 g de bicarbonato en 1 L de agua). Verifique que el bicarbonato de sodio se disuelva por completo para que no raye las superficies del refrigerador.

**IMPORTANTE:** No utilice una boquilla de pulverización para limpiar el interior.

## INFORMACIÓN GENERAL

### Almacenamiento

Durante vacaciones de una extensión promedio, probablemente sea mejor dejar el refrigerador en funcionamiento. Coloque los productos que requieren congelado en el congelador para lograr una mayor vida útil.

Cuando planea dejar de usar el refrigerador, quite todos los alimentos, desconecte el cable de energía, limpie el interior por completo, y deje las puertas abiertas para evitar la formación de moho. Asegúrese de que el refrigerador no presente un peligro de encierro para niños.

### Traslado

Descargue el refrigerador para cambiar la ubicación. (Esto no es necesario cuando lo mueva para limpiar detrás). Verifique que el refrigerador alcance la temperatura ambiente, y seque la parte interna antes de cerrar las puertas para prepararlo para la mudanza. Para no dañar los tornillos de ajuste de altura, gírelos por completo dentro de la base.

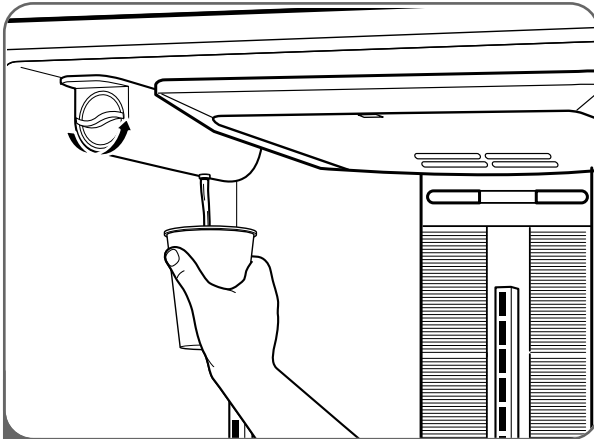
### Corte de energía

La mayoría de los cortes de energía que se corrigen en una o dos horas no afectarán las temperaturas del refrigerador. Sin embargo, usted debe minimizar la cantidad de veces que abra la puerta mientras no hay energía. Durante un corte de energía, puede gotear agua del reservorio de hielo y del recipiente de hielo. Para evitarlo, retire el reservorio de hielo y el recipiente de hielo, elimine todo el hielo, seque el recipiente, y vuelva a colocarlo.



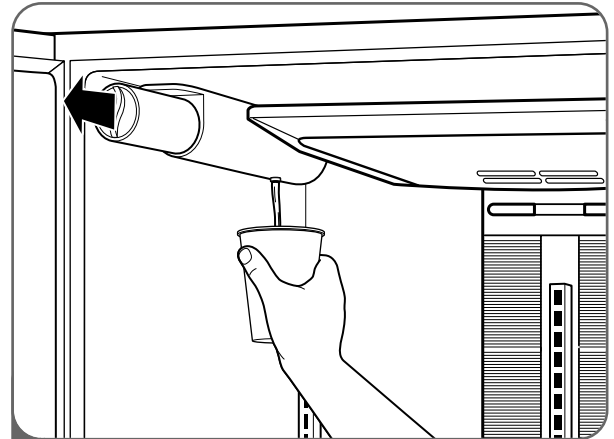
## CÓMO CAMBIAR EL FILTRO DE AGUA

Se recomienda que cambie el filtro cuando el indicador del filtro de agua alcance 0 o el dispensador de agua o máquina de hielo baje la producción notablemente.

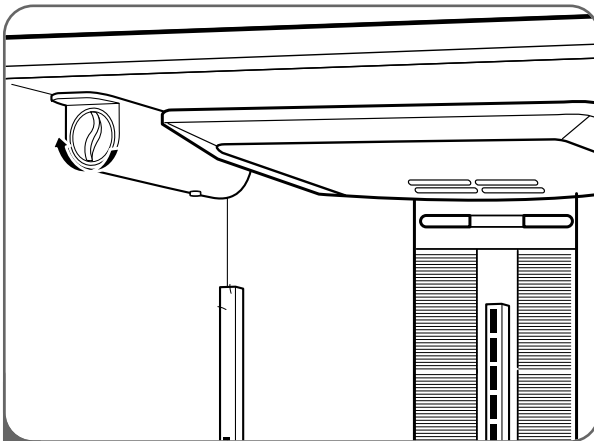


1 Gire la perilla del cartucho viejo en sentido contrario a las agujas del reloj. Cuando se haya liberado el cartucho, escuchará un "clic".

**NOTA:** Cuando se cambia el filtro, se pierde una pequeña cantidad de agua (alrededor de 1 oz o 25 cc). Coloque una taza bajo el filtro para recogerla.



2 Quite el cartucho usado. Saque el cartucho nuevo de su empaque y quite la tapa protectora de las juntas tóricas. Sostenga la manija del cartucho en posición vertical y con firmeza presione el cartucho del filtro nuevo en su lugar hasta que se detenga.



3 Use la manija para girar el cartucho en 1/4 de giro en sentido de las agujas del reloj, hasta que la manija esté en posición horizontal. Sentirá que el filtro encaja en su lugar con un "clic".

**NOTA:** Si el filtro no gira de lado a lado, no está bien colocado.

Después de cambiar el filtro, sirva 6 o 7 vasos de agua del dispensador para purgar el sistema. Verifique que el filtro no sufra pérdidas.

FILTER **8** HOLD 3 SECS  
MONTH

Cuando el indicador de filtro de agua muestra el mensaje "0 Filter Month, Hold 3 Seconds" (0 filtro mes, sostenga durante 8 segundos), reconfigure la pantalla y luz indicadora de estado del filtro presionando y sosteniendo el botón LIGHT/FILTER (luz/filtro) durante más de 3 segundos.

**NOTA:** Para comprar nuevos cartuchos de filtro de agua, visite a su distribuidor local de artefactos o piezas. También puede visitar nuestro sitio web: [www.lgappliances.com](http://www.lgappliances.com), o llame al **1-877-714-7486**. El número de repuesto del cartucho de filtro de agua es 5231JA2006A.

# DETECCIÓN DE PROBLEMAS

## ANTES DE LLAMAR AL SERVICIO TÉCNICO

Antes de llamar al servicio técnico, examine esta lista. Puede ahorrarle tiempo y dinero. La lista incluye situaciones comunes que no son el resultado de mano de obra o materiales defectuosos del artefacto.

Problema	Causas posibles	Soluciones
<b>El compresor del refrigerador no funciona.</b>	<ul style="list-style-type: none"><li>• El control del refrigerador está apagado</li><li>• El refrigerador está en el ciclo de descongelado.</li><li>• El enchufe del tomacorriente está desconectado.</li><li>• Corte de energía. Verifique las luces de la casa.</li></ul>	<ul style="list-style-type: none"><li>• Configure el control del refrigerador.</li><li>• Esto es normal para un refrigerador de descongelado totalmente automático. El ciclo de descongelado ocurre en forma periódica.</li><li>• Verifique que el enchufe esté bien colocado en el tomacorriente.</li><li>• Llame a la compañía a local de electricidad.</li></ul>
<b>El refrigerador funciona muy a menudo o durante mucho tiempo.</b>	<ul style="list-style-type: none"><li>• El refrigerador es más grande que su artefacto anterior.</li><li>• La habitación o el clima externo son muy calurosos.</li><li>• El refrigerador fue recientemente desconectado por un rato.</li><li>• Se han guardado grandes cantidades de alimentos tibios o calientes.</li><li>• Las puertas se abren muy a menudo o durante mucho tiempo.</li><li>• Las puertas del refrigerador o congelador pueden estar apenas abiertas.</li><li>• El control del refrigerador está configurado a una temperatura muy baja.</li><li>• La junta del refrigerador o congelador está sucia, gastada, rota, o mal colocada.</li></ul>	<ul style="list-style-type: none"><li>• Esto es normal. Las unidades más grandes y más eficientes funcionan durante más tiempo.</li><li>• Es normal para el refrigerador funcionar bajo estas condiciones.</li><li>• El refrigerador tarda unas horas en alcanzar temperaturas de enfriado.</li><li>• Los alimentos tibios harán que el refrigerador funcione durante más tiempo hasta alcanzar la temperatura deseada.</li><li>• El aire tibio que ingresa al refrigerador hace que funcione más. No abra las puertas tan seguido.</li><li>• Verifique que el refrigerador no esté torcido. No permita que alimentos y recipientes bloqueen la puerta.</li><li>• Ajuste el control del refrigerador a una configuración menos fría hasta que la temperatura sea satisfactoria.</li><li>• Limpie o cambie la junta. Las filtraciones en el sellado de la puerta harán que el refrigerador funcione por más tiempo para mantener las temperaturas deseadas.</li></ul>
<b>El compresor del refrigerador se enciende y apaga.</b>	<ul style="list-style-type: none"><li>• El termostato está manteniendo el refrigerador a una temperatura constante.</li></ul>	<ul style="list-style-type: none"><li>• Esto es normal. El refrigerador se enciende y apaga para mantener la temperatura constante.</li></ul>
<b>La temperatura del refrigerador es muy baja, pero la del congelador es satisfactoria.</b>	<ul style="list-style-type: none"><li>• El control del congelador está configurado en una temperatura demasiado baja.</li></ul>	<ul style="list-style-type: none"><li>• Ajuste el control del congelador en una configuración menos fría hasta que la temperatura sea satisfactoria.</li></ul>
<b>La temperatura del refrigerador es muy baja, pero la del congelador es satisfactoria.</b>	<ul style="list-style-type: none"><li>• El control del refrigerador está configurado en una temperatura muy baja.</li></ul>	<ul style="list-style-type: none"><li>• Ajuste el control del refrigerador a una configuración menos fría.</li></ul>

# DETECCIÓN DE PROBLEMAS

## ANTES DE LLAMAR AL SERVICIO TÉCNICO (CONT.)

Problema	Causas posibles	Soluciones
Los alimentos guardados en cajones se congelan.	<ul style="list-style-type: none"> <li>El control del refrigerador está configurado en una temperatura muy fría.</li> </ul>	<ul style="list-style-type: none"> <li>Ajuste el control del refrigerador a una configuración menos fría.</li> </ul>
Las temperaturas del refrigerador o congelador están muy elevadas.	<ul style="list-style-type: none"> <li>El control del congelador o refrigerador está configurado en una temperatura muy elevada.</li> <li>Las puertas se abren muy a menudo o durante mucho tiempo.</li> <li>La puerta está apenas abierta.</li> <li>Se han guardado grandes cantidades de alimentos tibios o calientes.</li> <li>El refrigerador fue recientemente desconectado por un rato.</li> </ul>	<ul style="list-style-type: none"> <li>Ajuste el control del congelador o refrigerador a una configuración más fría hasta que la temperatura sea satisfactoria.</li> <li>Aire caliente ingresa al refrigerador/congelador cuando se abre la puerta. No abra la puerta tan seguido.</li> <li>Cierre la puerta por completo.</li> <li>Espere a que el refrigerador o congelador haya tenido tiempo de enfriar los alimentos para configurar la temperatura.</li> <li>El refrigerador tarda unas horas en alcanzar temperaturas configuradas.</li> </ul>
La temperatura del refrigerador es muy elevada, pero la del congelador es satisfactoria.	<ul style="list-style-type: none"> <li>El control del refrigerador está configurado a una temperatura muy elevada.</li> </ul>	<ul style="list-style-type: none"> <li>Ajuste el control del refrigerador a una configuración más fría.</li> </ul>
Los niveles de sonido son mayores cuando se enciende el compresor.	<ul style="list-style-type: none"> <li>El refrigerador funciona a presiones más altas durante el inicio del ciclo ON (encendido).</li> </ul>	<ul style="list-style-type: none"> <li>Esto es normal.</li> </ul>
Hay vibraciones o golpeteos.	<ul style="list-style-type: none"> <li>El piso está desparejo o débil. El refrigerador se tambalea sobre el piso cuando se lo mueve un poco.</li> <li>Los productos colocados sobre el refrigerador vibran.</li> <li>Vibran los platos ubicados en los estantes del refrigerador.</li> <li>El refrigerador roza la pared o los armarios.</li> </ul>	<ul style="list-style-type: none"> <li>Asegúrese de que el piso esté nivelado y sólido y que pueda dar soporte adecuado al refrigerador.</li> <li>Quite los productos.</li> <li>Es normal que los platos vibren un poco. Mueva los platos ligeramente. Asegúrese de que el refrigerador esté nivelado y firmemente asentado sobre el piso.</li> <li>Mueva el refrigerador para que no toque la pared.</li> </ul>
Se acumula humedad en las paredes internas del refrigerador.	<ul style="list-style-type: none"> <li>El clima es caluroso y húmedo, lo que eleva la formación de escarcha y condensación interna.</li> <li>La puerta está apenas abierta.</li> <li>La puerta se abre muy a menudo o por mucho tiempo.</li> </ul>	<ul style="list-style-type: none"> <li>Esto es normal.</li> <li>Cierre la puerta.</li> <li>No abra la puerta tan seguido.</li> </ul>
Se acumula humedad en la parte externa del refrigerador o entre las puertas.	<ul style="list-style-type: none"> <li>El clima es muy húmedo.</li> <li>La puerta está apenas abierta.</li> </ul>	<ul style="list-style-type: none"> <li>Esto es normal en climas húmedos. Cuando la humedad ambiente baje, la humedad del refrigerador debe desaparecer.</li> <li>Cierre la puerta por completo.</li> </ul>

# DETECCIÓN DE PROBLEMAS

## ANTES DE LLAMAR AL SERVICIO TÉCNICO (CONT.)

Problema	Causas posibles	Soluciones
<b>Se acumula humedad en el dispensador.</b>	<ul style="list-style-type: none"><li>• Puede formarse humedad cuando la temperatura o la humedad son elevadas.</li></ul>	<ul style="list-style-type: none"><li>• Limpie la humedad con un paño.</li></ul>
<b>Hay olores en el refrigerador.</b>	<ul style="list-style-type: none"><li>• Debe limpiarse la parte interna.</li><li>• Hay alimentos con olor fuerte en el refrigerador.</li><li>• Algunos recipientes y envoltorios producen olores.</li></ul>	<ul style="list-style-type: none"><li>• Limpie el interior con una esponja, agua tibia, y bicarbonato de sodio. Asegúrese de que el bicarbonato de sodio se disuelva por completo para que no actúe como un compuesto abrasivo.</li><li>• Cubra los alimentos por completo.</li><li>• Use otros recipientes u otra marca de envoltorio.</li></ul>
<b>Las puertas no cierran.</b>	<ul style="list-style-type: none"><li>• Los paquetes de alimentos no dejan cerrar las puertas.</li><li>• La puerta se cerró con mucha fuerza, lo que provocó que la otra se abra un poco.</li><li>• El refrigerador no está nivelado. Se tambalea sobre el piso cuando se lo mueve un poco.</li><li>• El piso está desparejo o débil. El refrigerador se tambalea sobre el piso cuando se lo mueve un poco.</li><li>• El refrigerador toca la pared o los armarios.</li></ul>	<ul style="list-style-type: none"><li>• Mueva los paquetes que no dejan cerrar la puerta.</li><li>• Cierre las dos puertas con suavidad.</li><li>• Modifi que el tornillo de ajuste de altura.</li><li>• Asegúrese de que el piso esté nivelado y que pueda brindar apoyo adecuado al refrigerador. Comuníquese con un carpintero para corregir pisos hundidos o combados.</li><li>• Mueva el refrigerador.</li></ul>
<b>Es difícil mover los cajones.</b>	<ul style="list-style-type: none"><li>• Hay alimentos que tocan el estante en la parte superior del cajón.</li><li>• La guía del cajón está sucia.</li></ul>	<ul style="list-style-type: none"><li>• Conserve menos alimentos en el cajón.</li><li>• Limpie el cajón y la guía.</li></ul>
<b>No sale agua del dispensador.</b>	<ul style="list-style-type: none"><li>• La válvula de la línea de agua doméstica no está abierta.</li><li>• La puerta del refrigerador o congelador no está cerrada.</li></ul>	<ul style="list-style-type: none"><li>• Abra la válvula de la línea de agua doméstica.</li><li>• Verifi que que ambas puertas estén cerradas.</li></ul>
<b>El agua tiene sabor y/o olor extraño.</b>	<ul style="list-style-type: none"><li>• El agua ha estado en el tanque durante mucho tiempo.</li><li>• La unidad no está bien conectada a la línea de agua fría.</li></ul>	<ul style="list-style-type: none"><li>• Sirva y elimine 7 vasos de agua para refrescar el suministro. Sirva y elimine otros 7 vasos para enjuagar el tanque por completo.</li><li>• Conecte la unidad a la línea de agua fría que suministra agua a la canilla de la cocina.</li></ul>

# DETECCIÓN DE PROBLEMAS

## ANTES DEL LLAMAR AL SERVICIO TÉCNICO (CONT.)

Problema	Causas posibles	Soluciones
<b>No sale hielo del dispensador.</b>	<ul style="list-style-type: none"> <li>• El recipiente de almacenamiento de hielo está vacío.</li> <li>• La válvula de la línea de agua doméstica no está abierta.</li> <li>• La puerta del refrigerador o freezer no está cerrada.</li> <li>• El hielo se ha derretido y congelado alrededor de la barrena debido a un uso poco frecuente, fluctuaciones de temperatura y/o cortes de energía.</li> <li>• Los cubitos de hielo se han trabado entre el brazo de la máquina de hacer hielo y la parte trasera del recipiente.</li> <li>• Los cubitos de hielo están pegados.</li> <li>• Cubitos de hielo que fueron comprados o fabricados de otra manera han sido utilizados en el dispensador.</li> </ul>	<ul style="list-style-type: none"> <li>• Cuando el primer suministro de hielo cae en el recipiente, el dispensador debería funcionar.</li> <li>• Abra la válvula de la línea de agua doméstica y espere el tiempo necesario para que se haga el hielo. Cuando se haga el hielo, el dispensador debe funcionar.</li> <li>• Verifi que que ambas puertas estén cerradas.</li> <li>• Quite el recipiente de almacenamiento de hielo y descongele el contenido. Limpie el recipiente, séquelo con un paño y vuelva a colocarlo en su lugar. Cuando se fabrique el hielo, el dispensador debe funcionar.</li> <li>• Quite los cubitos de hielo que están trabando el dispensador.</li> <li>• Use el dispensador a menudo para evitar que los cubitos se peguen entre sí.</li> <li>• Con el dispensador deben utilizarse sólo los cubitos hechos en la máquina de hacer hielo.</li> </ul>
<b>Ruido a caída de hielo.</b>	<ul style="list-style-type: none"> <li>• Ha caído una tanda de hielo en el recipiente.</li> </ul>	<ul style="list-style-type: none"> <li>• Este sonido se produce cuando el hielo fabricado automáticamente cae en el recipiente de almacenamiento de hielo. El volumen puede variar según la ubicación del refrigerador.</li> </ul>
<b>Ruido a agua corriendo.</b>	<ul style="list-style-type: none"> <li>• La máquina de hacer hielo está recibiendo agua.</li> </ul>	<ul style="list-style-type: none"> <li>• Este sonido se escucha normalmente cuando la máquina de hielo recibe agua después de liberar el hielo fabricado automáticamente.</li> </ul>
<b>Otros</b>	Tenga a bien leer detenidamente las secciones Máquina Automática para Hacer Hielo y Cómo Operar el Dispensador de este manual.	

# ESPECIFICACIONES

## DIMENSIONES Y ESPECIFICACIONES IMPORTANTES

La apariencia y especificaciones listadas en esta guía pueden variar debido a mejoras constantes del producto.

<b>Refrigerador con congelador inferior modelo LFX21980</b>	
<b>Descripción</b>	Refrigerador de puerta francesa
<b>Requerimientos eléctricos</b>	115 VAC @ 60 Hz
<b>Presión de agua máxima</b>	21~121 PSI (1.5~8.5 kgf/cm <sup>2</sup> )
<b>Dimensiones</b>	35 ¾"(W) X 30"(D) X 69 ¾"(H), 42 ¼" (P con puerta la abierta) 908 mm (W) X 762 mm (D) X 1772 mm (H), 1073 mm (P con la puerta abierta)
<b>Peso neto</b>	288 lb. (131 kg)
<b>Capacidad de almacenamiento del refrigerador</b>	14,7 pies cúbicos
<b>Capacidad de almacenamiento del congelador</b>	5,8 pies cúbicos

<b>Refrigerador con congelador inferior modelo LFX25980</b>	
<b>Descripción</b>	Refrigerador de puerta francesa
<b>Requerimientos eléctricos</b>	115 VAC @ 60 Hz
<b>Presión de agua máxima</b>	21~121 PSI (1.5~8.5 kgf/cm <sup>2</sup> )
<b>Dimensiones</b>	35 ¾"(W) X 34 ¼"(D) X 69 ¾"(H), 46 ½" (P con puerta la abierta) 908 mm (W) X 870 mm (D) X 1772 mm (H), 1181 mm (P con la puerta abierta)
<b>Peso neto</b>	324 lb. (131 kg)
<b>Capacidad de almacenamiento del refrigerador</b>	17.6 pies cúbicos
<b>Capacidad de almacenamiento del congelador</b>	7.1 pies cúbicos

**LG ELECTRONICS, INC.**  
**REFRIGERADOR LG CON FREEZER INFERIOR GARANTÍA LIMITADA – EE.UU.**



Su refrigerador LG será reparado o reemplazado, a criterio de LG, si llegara a tener defectos en los materiales o mano de obra bajo un uso normal, durante el período de garantía (“Período de Garantía”) establecido a continuación, vigente desde la fecha (“Fecha de Compra”) original de compra del producto. Esta garantía es válida sólo para el comprador original del producto y vigente sólo en los Estados Unidos, incluyendo Alaska, Hawaii, y los Territorios de los EE.UU.

<p><b>PERÍODO DE GARANTÍA:</b>  <b>REFRIGERADOR/CONGELADOR</b>  <b>MANO DE OBRA:</b>Un año desde la Fecha de Compra.  <b>PIEZAS:</b>Un año desde la Fecha de Compra.  <b>SISTEMA SELLADO</b>          (Compresor, condensador, y evaporador).  <b>MANO DE OBRA:</b> Un año desde la Fecha de Compra.  <b>PIEZAS:</b> Siete años desde la Fecha de Compra.          Las unidades de reemplazo y las piezas de repuesto están cubiertas por la garantía durante el tiempo restante del período de garantía de la unidad original.</p>	<p><b>CÓMO SE BRINDA EL SERVICIO:</b>  <b>Servicio doméstico:</b>          Guarde el recibo de venta o ticket de entrega del distribuidor con fecha respectiva como evidencia de la Fecha de Compra como prueba de garantía, y envíe una copia del recibo de venta al técnico en el momento en que se brinde el servicio de garantía.  <b>Llame al 1-800-243-0000 y elija la opción apropiada para ubicar al Centro de Servicio Autorizado LG más cercano.</b>          O visite nuestro sitio Web en <a href="http://www.lgservice.com">www.lgservice.com</a>.</p>
---	---

**ESTA GARANTÍA REEMPLAZA CUALQUIER OTRA GARANTÍA, EXPRESA O IMPLÍCITA, INCLUYENDO, SIN LIMITACIÓN, CUALQUIER GARANTÍA DE COMERCIABILIDAD O APTITUD PARA UN OBJETIVO PARTICULAR. EN LA MEDIDA EN QUE CUALQUIER GARANTÍA IMPLÍCITA SEA REQUERIDA POR LA LEY, SE LIMITA EN DURACIÓN AL PERÍODO DE GARANTÍA EXPRESA ANTERIOR. NI EL FABRICANTE NI SU DISTRIBUIDOR EN LOS EE.UU. SERÁN SUJETOS A DAÑOS INCIDENTALES, RESULTANTES, INDIRECTOS, ESPECIALES O PUNITIVOS DE CUALQUIER NATURALEZA, INCLUYENDO, SIN LIMITACIÓN, GANANCIAS O INGRESOS PERDIDOS, O CUALQUIER OTRO DAÑO EXPRESADO MEDIANTE CONTRATO, EXTRA CONTRACTUALMENTE O DE CUALQUIER OTRA FORMA.** Algunos estados no permiten la exclusión o limitación de daños o limitaciones incidentales o resultantes sobre el tiempo de duración de una garantía, por lo tanto las limitaciones o exclusiones anteriores pueden no aplicarse en su caso. Este garantía le otorga derechos legales específicos y usted puede contar con otros derechos, que pueden variar de estado a estado.

**ESTA GARANTÍA LIMITADA NO SE APLICA A:**

- Viajes a su hogar para entregar, retirar y/o instalar el producto, informar, o reemplazar fusibles del hogar o corregir cableado, o la corrección de reparaciones no autorizadas.
- Daños o problemas operativos generados por uso indebido, abuso, operación fuera de las especificaciones ambientales o contrarias a los requerimientos de precauciones en la Guía de Operación, accidentes, alimañas, incendio, inundación, instalaciones inadecuadas, caso fortuito, modificaciones o alteraciones no autorizadas, corriente o voltaje eléctrico incorrecto, o uso comercial, o uso con un objetivo para el que no fue diseñado.
- Reparaciones cuando su refrigerador LG se utiliza en otro lugar que no sea un hogar unifamiliar.

El costo de la reparación o reemplazo bajo estas circunstancias excluidas quedará a cargo del consumidor.

**NÚMEROS DEL CENTRO INTERACTIVO DEL CLIENTE**

<p><b>Para obtener Asistencia al Cliente, Información sobre Productos o Centros de Reparación o Distribución Autorizados:</b></p>	<p><b>Llame al 1-800-243-0000</b> (24 horas al día, 365 días al año) y seleccione la opción apropiada del menú.          O visite nuestro sitio Web en <a href="http://www.lgservice.com">www.lgservice.com</a>.</p>
---	--

**PARA CONTACTAR LG ELECTRONICS POR CORREO:**

LG Customer Interactive Center  
 P. O. Box 240007  
 201 James Record Road  
 Huntsville, Alabama 35824  
 ATTN: CIC

**Información sobre registro de producto**

**Modelo:**

**Número de serie:**

**Fecha de compra:**

El modelo y el número de serie pueden encontrarse en la caja interna o la parte trasera del compartimento del refrigerador.

# NOTAS

---





# NOTAS

---





## Free Manuals Download Website

<http://myh66.com>

<http://usermanuals.us>

<http://www.somanuals.com>

<http://www.4manuals.cc>

<http://www.manual-lib.com>

<http://www.404manual.com>

<http://www.luxmanual.com>

<http://aubethermostatmanual.com>

Golf course search by state

<http://golfingnear.com>

Email search by domain

<http://emailbydomain.com>

Auto manuals search

<http://auto.somanuals.com>

TV manuals search

<http://tv.somanuals.com>