



LG Electronics México S.A. de C.V.

PART NUMBER: MFL62884305
DESCRIPTION: OWNER'S, MANUAL
DIMENSIONS (mm): W(200±3), H(270±3)

PROJECT: SABER GOOD&BETTER

DATE: MARCH 01, 10

NOTES:

1. PRINTING MEANS: OFFSET
2. PRINTING COLOR: BLACK
FREE FROM BLUR, BLOTTING AND BREAKING OF LINES
3. TYPE OF PAPER: BOND
4. GRAMAJE: 63 gr
5. QUANTITY OF SHEET: 15
6. THE PART SHOULD NOT CONTAIN PROHIBITED SUBSTANCES
(Pb, Cd, Hg, Cr+6, PBB, PBDE) AND DETAILS SHOULD COMPLY
WITH STANDARD LG(61)-A-9101.

NOTAS:

1. METODO DE IMPRESION: OFFSET
2. COLOR DE IMPRESION: NEGRO
LIBRE DE BORRONES Y LINEAS INCOMPLETAS
3. TIPO DE PAPEL: BOND
4. GRAMAJE: 63 gr
5. CANTIDAD DE PLIEGOS: 15
6. LA PARTE NO DEBE CONTENER SUSTANCIAS PROHIBIDAS
(Pb, Cd, Hg, Cr+6, PBB, PBDE) Y LOS DETALLES DEBEN DE CUMPLIR
CON EL ESTANDAR LG(61)-A-9101.



LG

LSC23924**

SXS REFRIGERATOR

Owner's Manual

Please read this guide thoroughly before operating and keep it handy for reference at all times.

SXS REFRIGERADOR

Manual de Usuario

Lea detenidamente estas instrucciones antes de utilizar el refrigerador y guárdelas como referencia para el futuro.

TABLE OF CONTENTS

Important Safety Instructions	3	Care and Cleaning	19-21
Grounding Requirements	4	General Cleaning Tips	19
Refrigerator Features	5	Outside	19
Refrigerator Installation	6 - 10	Inside Walls	19
Unpacking you Refrigerator	6	Door Liners and Gaskets	19
Installation	6	Plastic Parts	19
Base Grille Installation	6	Back Cover	19
Handle Removal	7	Lamp Replacement	19-20
Removing and Replacing Refrigerator Doors	8 - 9	Power Interruptions	20
Door Alignment	10	When you go on vacation	20
Using Your Refrigerator	11-18	When you move	20
Ensuring Proper Air Circulation	11	Operations Instructions	21
Control Panel Features	11-12	When You Should Set The Icemaker Power Switch To (off)	21
Adjusting Control Settings	13	Normal Sound you may Hear	21
Food Storage Guide	13	Connecting the Water Line	22-24
Storing Frozen Food	14	Before you begin	22
Water Dispenser	14-15	What you will need	22
Ice Storage Bin	15	Installation Instructions	23-24
Icemaker cover	15	Troubleshooting Guide	25-29
Snack Pan	15	Warranty (U.S.A)	30
Door Rack and Support	15		
Crisper and Crisper cover	16		
Refrigerator Shelves	16		
Freezer Shelf	17		
Water Filter	18		

IMPORTANT SAFETY INSTRUCTIONS

This guide contains many important safety messages. Always **read and obey**.



This is the safety alert symbol. It alerts you to safety messages that inform you of hazards that can kill or hurt you or others, or cause damage to the product. All safety messages will be preceded by the safety alert symbol and the hazard signal word DANGER, WARNING, or CAUTION. These words mean:

⚠ DANGER You will be killed or seriously injured if you don't follow instructions.

⚠ WARNING You can be killed or seriously injured if you don't follow instructions.

⚠ CAUTION Indicates an imminently hazardous situation which, if not avoided, may result in minor or moderate injury, or product damage only.

All safety messages will identify the hazard, tell you how to reduce the chance of injury and tell you what can happen if the instructions are not followed.

⚠ WARNING

To reduce the risk of fire, electric shock or injury to persons when using your product, basic safety precautions should be followed, including the following. Read all instructions before using this appliance:

- NEVER unplug your refrigerator by pulling on the power cord. Always grip the plug firmly and pull it straight out from the outlet.
- Repair or replace immediately all electric service cords that have become frayed or otherwise damaged. Do not use a cord that shows cracks or abrasion damage along its length or at either the plug or connector end.
- When moving your refrigerator away from the wall, be careful not to roll over or damage it in any way.
- Do not crush or damage the water line.
- Do not store or use gasoline or other flammable (vapors or liquids) in the vicinity of this or any other appliance.
- Do not allow children to climb, stand or hang on the refrigerator doors or shelves in the refrigerator. They could damage the refrigerator and seriously injure themselves.
- Keep fingers out of 'pinch point' areas; clearances between the doors and cabinet are necessarily small. Be careful when you open the doors when children are in the area.
- Unplug your refrigerator before cleaning or making any repairs.

NOTE: We strongly recommend that any servicing be performed by a qualified individual.

- Before replacing a burned-out light bulb, unplug the refrigerator or turn off power at the circuit breaker or fuse box in order to avoid contact with a live filament. (A burned-out light bulb may break when being replaced).

NOTE: Setting either or both controls to the OFF position does not remove power to the light circuit.

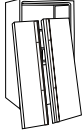
- Do not store bottles in the freezer compartment, they may break when frozen, causing damage.

- The refrigerator-freezer should be positioned so that supply plug is accessible for quick disconnection when accident happens.
- For personal safety, this appliance must be properly grounded. Have the wall outlet and the circuit checked by a qualified electrician to make sure the outlet is properly grounded.
- This refrigerator must be properly installed in accordance with the Attention Installer Instructions that were taped to the front of the refrigerator.
- After your refrigerator is in operation, do not touch the cold surfaces in the freezer compartment when hands are damp or wet. Skin may adhere to the extremely cold surfaces.
- In refrigerator with automatic icemakers, avoid contact with the moving parts of the ejector mechanism, or with the heating element that releases the cubes. DO NOT place fingers or hands on the automatic ice making mechanism while the refrigerator is plugged in.
- DO NOT refreeze frozen foods which have thawed completely. The United States Department of Agriculture in Home and Garden Bulletin No. 69 says: "...You may safely refreeze frozen foods that have thawed if they still contain ice crystals or if they are still cold below 40 °F (4 °C)."
"Thawed ground meats, poultry, or fish that have any off-odor or off-color should not be frozen and should not be eaten. Thawed ice cream should be discarded. If the odor or color of any food is poor or questionable, get rid of it. The food may be dangerous to eat."
"Even partial thawing and refreezing reduces the eating quality of foods, particularly fruits, vegetables and prepared foods. The eating quality of red meats is affected less than that of many other foods. Use refrozen foods as soon as possible to save as much of their quality as you can."

SAVE THESE INSTRUCTIONS

⚠ DANGER: RISK OF CHILD ENTRAPMENT

Child entrapment and suffocation are not problems of the past. Junked or abandoned refrigerators are still dangerous... even if they will sit for "just a few days". If you are getting rid of your old refrigerator, please follow the instructions at right to help prevent accidents.



Before you throw away your old Refrigerator or freezer:

- Take off the doors.
- Leave the shelves in place so that children may not easily climb inside.

This appliance is not intended for use by persons (including children) with reduced physical, sensory or mental capabilities, or lack of experience and knowledge, unless they have been given supervision or instruction concerning use of the appliance by a person responsible for their safety.

Children should be supervised to ensure that they do not play with the appliance.

CFC DISPOSAL

Your old refrigerator may have a cooling system that used CFCs (chlorofluorocarbons). CFCs are believed to harm stratospheric ozone. If you are throwing away your old refrigerator, make sure the CFC refrigerant is removed for proper disposal by a qualified servicer. If you intentionally release this CFC refrigerant, you can be subject to fines and imprisonment under provisions

of environmental legislation. This appliance contains fluid (refrigerant, lubricant), and is made of parts and materials which are reusable and / or recyclable. All the important materials should be sent to the collection center of waste material and can be reused after rework (recycling). To recycle, please contact your local agency.

GROUNDING REQUIREMENTS

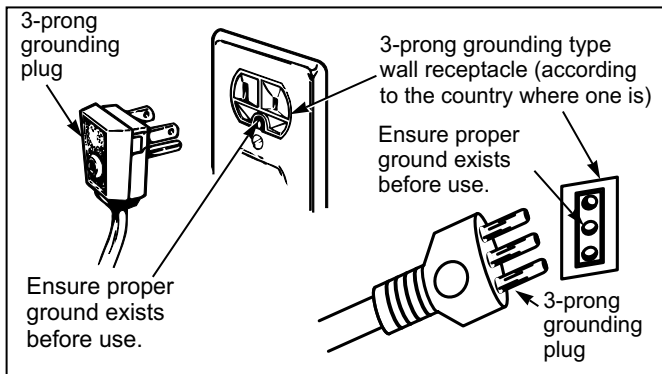
IMPORTANT: Please read carefully.

TO CONNECT ELECTRICITY

⚠ WARNING

Electrical Shock Hazard

FOR PERSONAL SAFETY, this appliance must be properly grounded. Have the wall outlet and the circuit checked by a qualified electrician to make sure the outlet is properly grounded.



RECOMMENDED GROUNDING METHOD

The refrigerator should always be plugged into its own individual properly grounded electrical outlet rated for 127 V ~ 60 Hz, AC or 115 V ~ 60 Hz, AC (According to National rating) only and fused at 15 or 20 A. This provides the best performance and also prevents overloading house wiring circuits which could cause a fire hazard from overheated wires. It is recommended that a separate circuit serving only this appliance be provided. Use a receptacle which cannot be turned off with a switch or pull chain. Do not use an extension cord.

NOTE: Before performing any type of installation, cleaning, or removing a light bulb, turn the control (Thermostat, Refrigerator Control or Freezer Control, depending on the model) to OFF and then disconnect the refrigerator from the electrical source. When you are finished, reconnect the refrigerator to the electrical source and reset the control (thermostat, refrigerator control or freezer control, depending on the model) to the desired setting.

Where a standard two-prong wall outlet is encountered, it is your personal responsibility and obligation to have it replaced with a properly grounded three-prong wall outlet. Do not, under any circumstances, cut or remove the third (Ground) prong from the power cord.

USE OF EXTENSION CORD

Because of potential safety hazards under certain conditions, we strongly recommend against the use of an extension cord. However, if you still elect to use an extension cord, it is absolutely necessary that it be a UL-listed (in the United States), 3-wire grounding type appliance extension cord having a grounding type plug and outlet, and that the electrical rating of the cord be 15 A (minimum) and 120 V, 220 V or 115 V (according to the National rating).

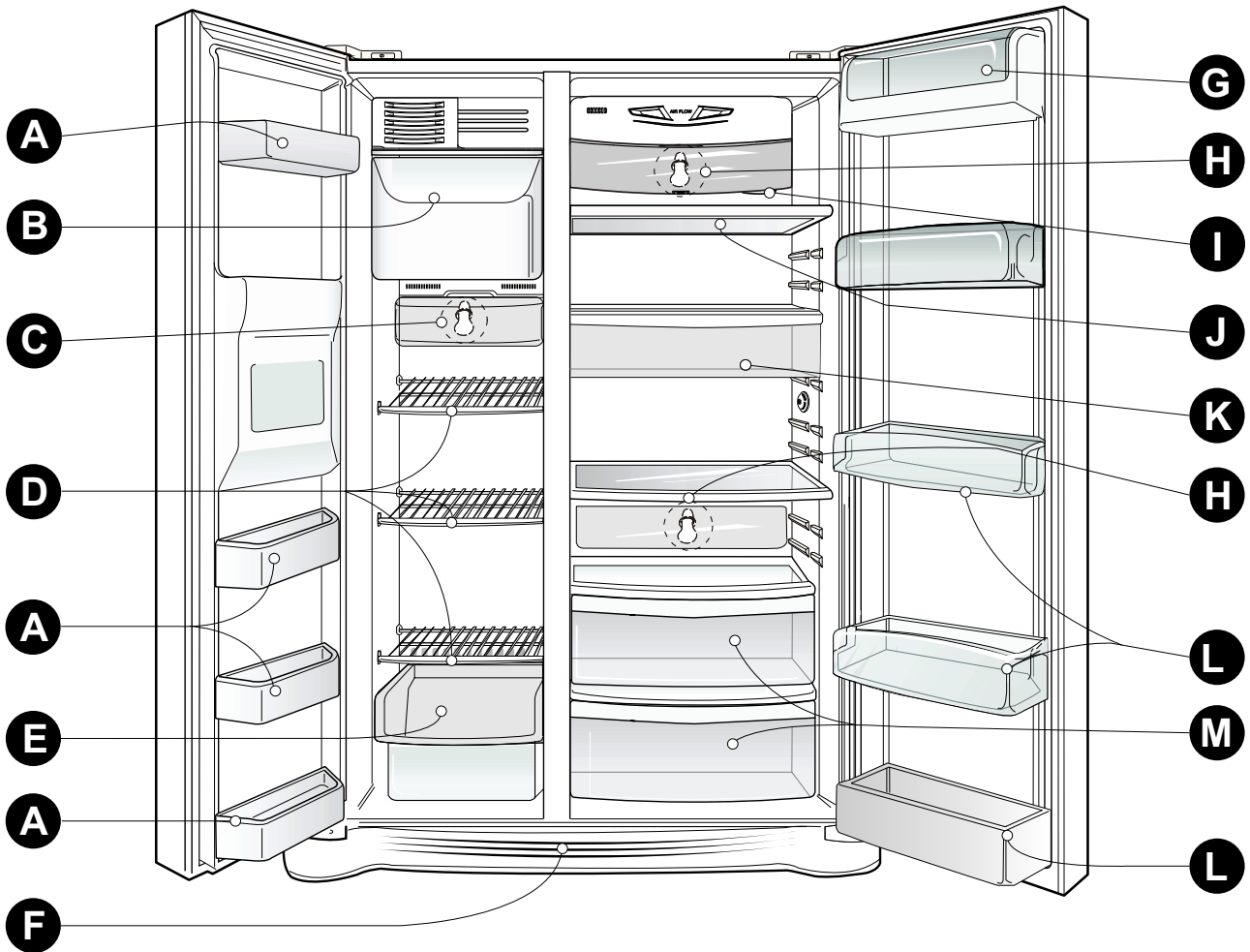
Use of an extension cord will increase the clearance needed for the back of the refrigerator.

⚠ WARNING

POWER CORD REPLACEMENT

If the power cord is damaged, it must be replaced by the manufacturer, by our service center or by qualified personal by LG Electronics, to avoid some risk.

REFRIGERATOR FEATURES



Use this page to become more familiar with the parts and features. Page references are included for your convenience.

Note: This guide covers several different models. The refrigerator you have purchased may have some or all of the items listed below. The locations of the features shown below may not match your model.

A Freezer Door Rack

B Automatic Icemaker
The ice is produced in the icemaker and sent to the dispenser.

C Freezer Lamp

D Freezer Shelf
(Wire/Glass)

E Drawer (Wire/Plastic)

F Base Grille

G Dairy Corner
For storage of dairy products such as butter and cheese.

H Refrigerator Lamp

I Water Filter*

J Refrigerator Shelf

K Snack Pan
For storage of meat or fresh food.

L Refrigerator Door Rack
(Crystal/Opaque)

M Vegetable Drawer

* On some models

REFRIGERATOR INSTALLATION

⚠ WARNING

Excessive Weight Hazard

Use two or more people to move and install Refrigerator.
Failure to do so can result in back or other injury.

UNPACKING YOUR REFRIGERATOR

Remove tape and any temporary labels from your refrigerator before using. Do not remove any warning type labels the model and serial number label.

To remove any remaining tape or glue, rub the area briskly with your thumb. Tape or glue residue can also be easily removed by rubbing a small amount of liquid dish soap over the adhesive with your fingers. Wipe with warm water and dry.

Do not use sharp instruments, rubbing alcohol, flammable fluids or abrasive cleaners to remove tape or glue. These products can damage the surface of your refrigerator. For more information, see the **Important Safety Instructions** section.

Refrigerator shelves are installed in the shipping position.

Please reinstall shelves according to your individual storage needs.

⚠ WARNING

When Moving Your Refrigerator:

Your refrigerator is heavy. When moving the refrigerator for cleaning or service, be sure to protect the floor. Always pull the refrigerator straight out when moving it. Do not wiggle or walk the refrigerator when trying to move it, as floor damage could occur.

⚠ WARNING



Explosion Hazard

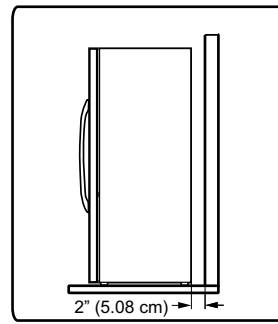
Keep flammable materials and vapors, such as gasoline, away from refrigerator.

Failure to do so can result in death, explosion or fire.

INSTALLATION

1. Avoid placing unit near heat sources, direct sunlight or moisture.
2. To minimize noise and vibration, the refrigerator **MUST** be installed on a solidly constructed floor.
3. Carpeting and soft tile surfaces are not recommended.
4. **NEVER** install the refrigerator on a platform or a weakly supported structure.
5. Install this appliance in an area where the temperature is between 41 °F (5 °C) and 110 °F (43 °C). If the temperature around the appliance is too low or high, cooling ability may be adversely affected.

NOTE: For proper air circulation, best cooling and energy consumption results, maintain a minimum distance of 2 inches (5.08cm) from adjacent items and surfaces.

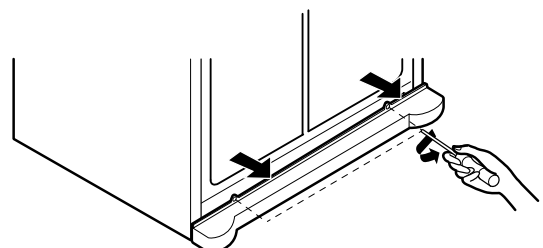


⚠ WARNING

- Be careful when you work with hinge, base grille, stopper, etc. You may be injured.
- Do not put hands or metal sticks into air vents, base grille or bottom of refrigerator. You may be injured or receive an electrical shock.

BASE GRILLE INSTALLATION

1. **To remove the base grille:**
 - a) Open the Doors. (Refrigerator and Freezer)
 - b) Once doors are open remove screws on top of cover.
2. **To install or replace base grille:**
 - a) Place cover into position and insert and tighten screws.



REFRIGERATOR INSTALLATION

HANDLE REMOVAL (Identify your handle type)

NOTE: It is ALWAYS recommended to remove the refrigerator doors when it is necessary to move the refrigerator through a narrow opening. If necessary, follow the directions below to remove the door handles.

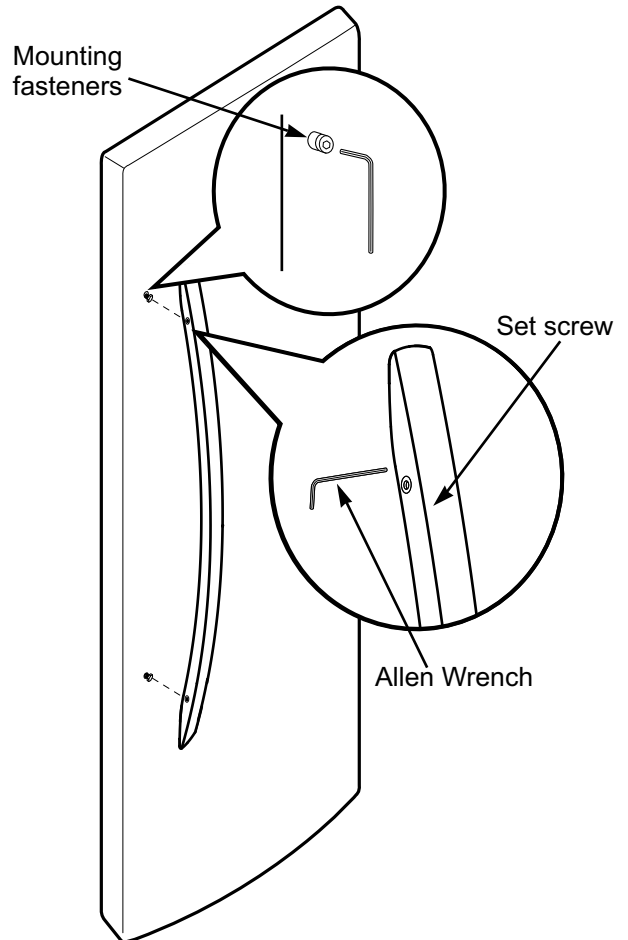
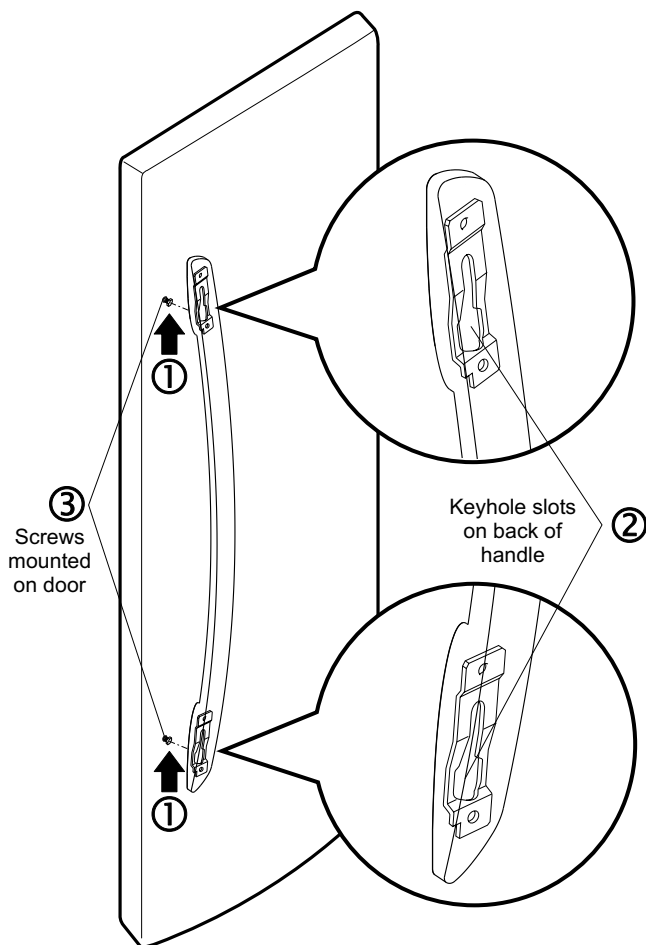
- Grasp the handle tightly with both hands and slide the handle up (1) (this may require some force).
- The keyhole slots (2) on the back of the handle allow the handle to separate from the mounting screws (3).

⚠ CAUTION: It could be damaged and broken when you hit with hammer while you remove and attach the handle.

⚠ CAUTION: When you assemble or disassemble handle, you must push and pull with moment force.

- Loosen the set screws with a 3/32" (2.38 mm) Allen wrench and remove the handle.

NOTE: If the handle mounting fasteners need to be tightened or moved, use a 1/4" (6.35 mm) Allen wrench.



REFRIGERATOR INSTALLATION

⚠ WARNING

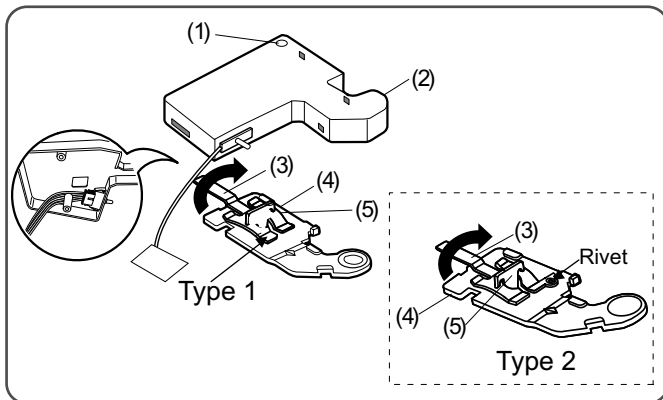
Electric Shock Hazard

- Disconnect electrical supply to the refrigerator before installing. Failure to do so could result in death or serious injury.
- Do not put hands or feet or other objects into the air vents, base grille, or bottom of the refrigerator. You may be injured or receive an electrical shock.
- Be careful when you work with the hinge, base grille, and stopper. You may be injured.

REMOVING AND REPLACING REFRIGERATOR DOORS

Before remove the doors, remove the Base Grille. See **BASE GRILLE INSTALLATION** for reference.

To remove the right (refrigerator) door:



1. Open the door. Remove the top hinge cover screw (1).
2. Use a flat blade screwdriver to pry back the hooks (not shown) on the cabinet underside of the cover (2). Lift up the cover.
3. Rotate the hinge lever (3) clockwise. Lift the top hinge (4) free of the hinge lever latch (5).

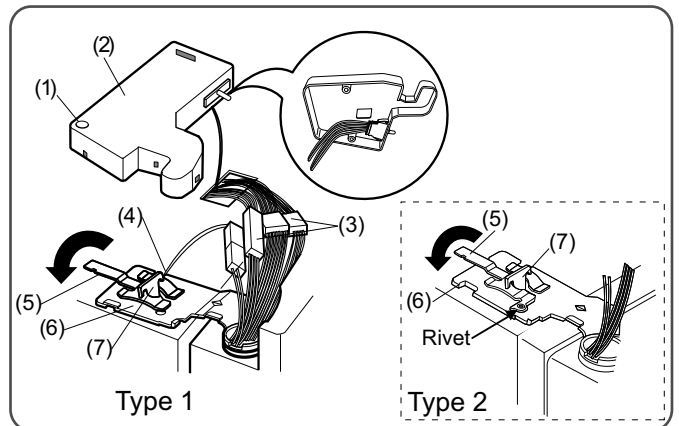
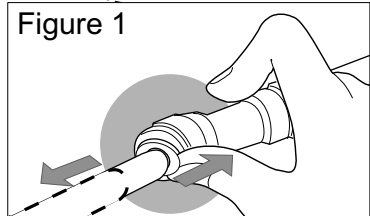
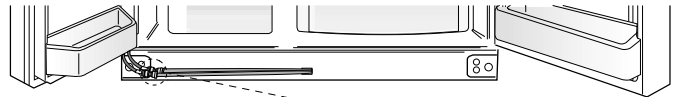
NOTE: Regardless the type of hinge lever (3); type1: without rivet or type 2: with rivet the removal process is the same.

4. Lift the door from the lower hinge pin.
5. Place the door, inside facing up, on a nonscratching surface.

⚠ **CAUTION:** When lifting the hinge free of the latch, be careful that the door does not fall forward.

Removing the left (freezer) door with water line connection.

- Pull up the water feed tube while pressing area (Figure 1) as shown in the figure below.
- **NOTE:** If a tube end is deformed or abraded, trim the part away. Disconnecting the tube under the door causes about 1.5 liters (0.13 gallons) water to flow out. Put a large container at end of tube to prevent water from draining onto the floor.



1. Open the door. Remove the top hinge cover screw (1).
2. Use a flat blade screwdriver to pry back the hooks (not shown) on the cabinet underside of the cover (2). Lift up the cover.
3. Disconnect all the wire harnesses (3).
4. Remove the grounding screw (4).
5. Rotate hinge lever (5) counterclockwise. Lift the top hinge (6) free of the hinge lever latch (7).

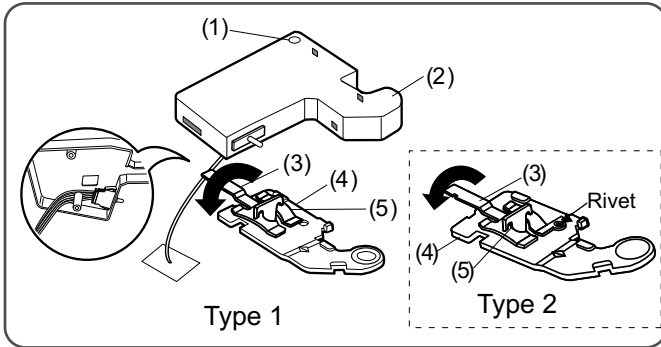
NOTE: Regardless the type of hinge lever (5); type1: without rivet or type 2: with rivet the removal process is the same.

⚠ **CAUTION:** When lifting the hinge free of the latch, be careful that the door does not fall forward.

REFRIGERATOR INSTALLATION

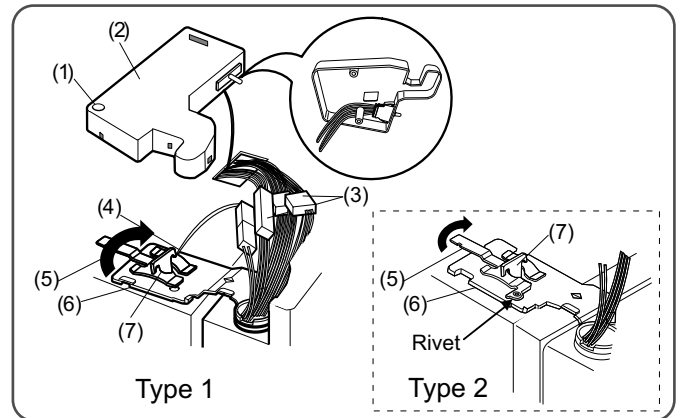
6. Lift the door from the lower hinge pin being careful to pull the water lines through the lower hinge pin.
7. Place the door, inside facing up, on a nonscratching surface.

Reinstalling the right (Refrigerator) door



1. Place the door onto the lower hinge pin.
 2. Fit top hinge (4) over hinge lever latch (5) into place. Rotate lever (3) counterclockwise to secure hinge.
- NOTE:** Regardless the type of hinge lever (3); type1: without rivet or type 2: with rivet the removal process is the same.
3. Hook tab on switch side of corner under edge of wire opening in cabinet top. Position cover (2) into place. Insert and tighten cover screw (1).

Reinstalling the left (Freezer) door



1. Feed the water tubes through the lower hinge pin and place the door onto the lower hinge pin.
2. Fit top hinge (6) over hinge lever latch (7) and into place. Rotate lever (5) clockwise to secure hinge

NOTE: Regardless the type of hinge lever (5); type1: without rivet or type 2: with rivet the removal process is the same.

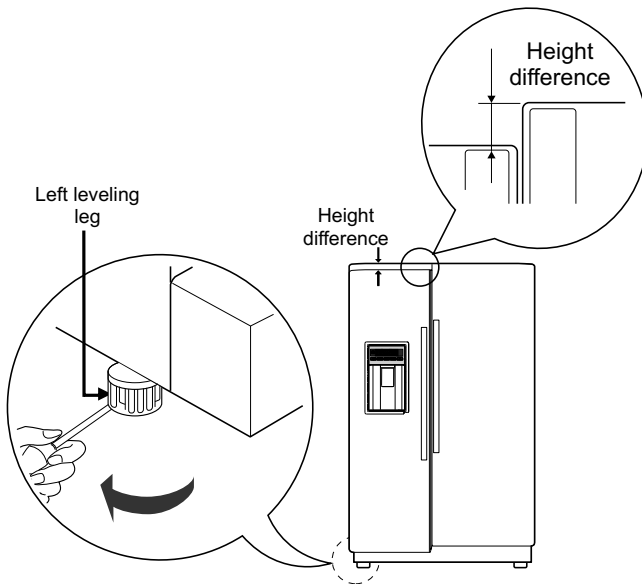
3. Install the grounding screw (4) and connect all the wire harnesses (3).
4. Hook tab on door switch side of cover (2) under edge of wire opening in cabinet top. Position cover into place. Insert and tighten cover screw (1).
5. Reconnect the water tubes by inserting the tubes into the connectors.

REFRIGERATOR INSTALLATION

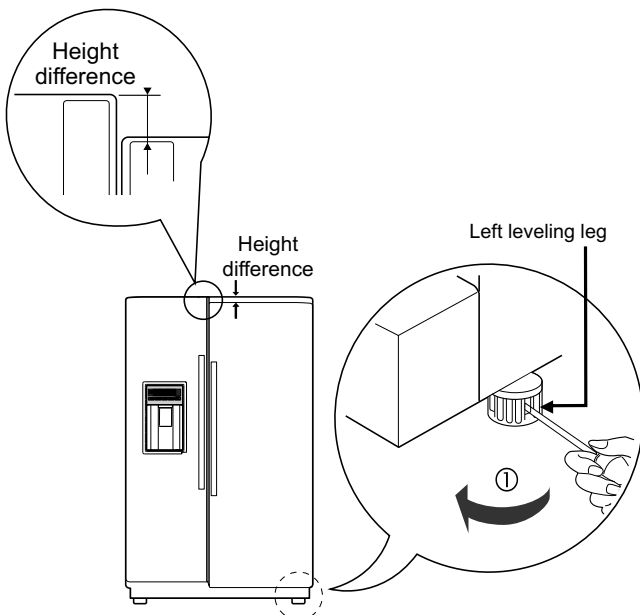
DOOR ALIGNMENT

Before adjust the doors, remove the Base Grille.
See **BASE GRILLE INSTALLATION** for reference.

If the freezer compartment door is lower than the refrigerator compartment door, make them level by inserting flat blade screwdriver into the groove of the left leveling leg and rotating it clockwise.



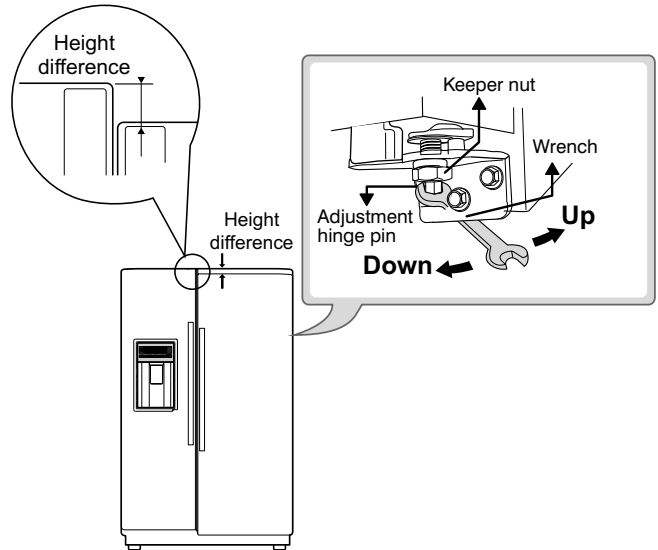
If the freezer compartment door is higher than the refrigerator compartment door, make them level by inserting flat blade screwdriver into the groove of the right leveling leg and rotating it clockwise.



Adjust the level when the refrigerator door is lower than the freezer door during the installation of the refrigerator.

Tools you need

- Wrench 5/16 in (8 mm)
- Wrench 3/4 in (19 mm)



Using a $\frac{3}{4}$ " (19 mm) wrench, turn the keeper nut clockwise to loosen the keeper nut.

Using a $\frac{5}{16}$ " (8 mm) wrench, turn the adjustment hinge pin clockwise or counterclockwise to level the refrigerator and freezer door.

After setting the level door, turn the keeper nut counterclockwise to tighten.

Do not over tightening the door adjustment screw. The hinge pin can be pulled out. (Adjustable range of height is a maximum of $\frac{1}{2}$ " (1.27 cm)).

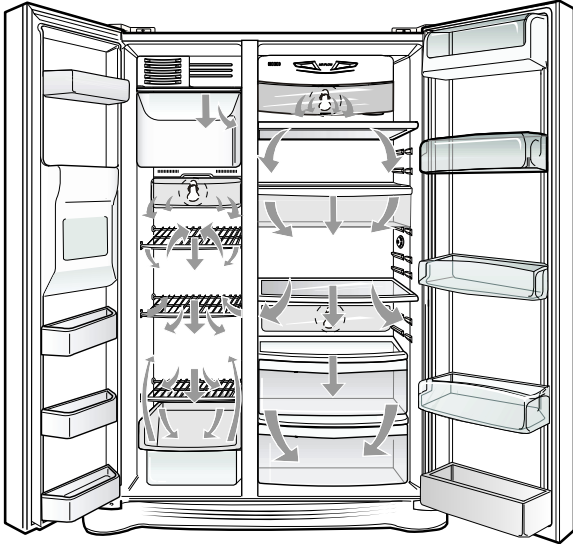
AFTER LEVELING THE DOOR HEIGHT

Make sure the front leveling legs are completely touching the floor.

USING YOUR REFRIGERATOR

ENSURING PROPER AIR CIRCULATION

In order to ensure proper temperatures, air must flow between the refrigerator and freezer sections. As shown in the illustration below, cool air enters through the refrigerator or the freezer section and moves up. Most of the air then flows through the freezer section vents and recirculates under the freezer floor. The rest of the air enters the refrigerator section through the top vent.

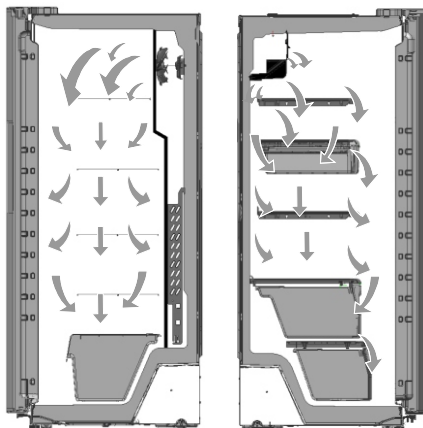


- **Do not block any of these vents** with food packages. If the vents are blocked, airflow will be interrupted and temperature and moisture problems may occur.

IMPORTANT:

Because air circulates between both sections, any odors formed in one section will transfer to the other. You must thoroughly clean both sections to eliminate odors. To prevent odor transfer and drying out food, wrap or cover foods tightly. (See the Food Storage Guide section for details.)

Note: If you close the refrigerator forcefully, the freezer door may open and close again due to pressure from internal air flow.



NEXT

1. Clean your refrigerator thoroughly and wipe off dust accumulated during shipping.
2. Install accessories such as ice cube bin, drawers, shelves, etc., in their proper places. They are packed together to prevent possible damage during shipment.
3. Let your refrigerator run for at least 2 or 3 hours before putting food in it. Check the flow of cold air in the freezer compartment to ensure proper cooling. Your refrigerator is now ready for use.

CONTROL PANEL FEATURES

(Identify your Control type)

Press the button for the desired function to review and select other settings.

Type 1



Type 2



Refrigerator and Freezer controls:

Initially set the refrigerator and freezer controls to the recommended (middle) settings by pressing REFRIGERATOR Graphic and FREEZER Graphic.

NOTE: When changing control settings, wait 24 hours before making additional adjustments. After 24 hours, adjust the compartments temperatures as desired. The more lit bars, the colder the refrigerator and freezer will be.



USING YOUR REFRIGERATOR

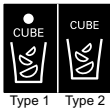
Display Off Mode

The display lights up and stays lit when the refrigerator is plugged in for 60 seconds. After the display lights all off except the dispenser icon selected (CRUSH, WATER or CUBE) and the display only lights when door is opened or display button is pressed. Display turn off 20 seconds after door is closed or display button pressed. You can change the display always ON pressing "FREEZER" and "ICE PLUS" buttons at the same time for 5 seconds. A tone will sound indicating that the display is ON (Display Off Mode Deactivate). Activate the Display Off Mode in same manner as deactivation.

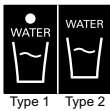
ICE TYPE (Identify your display type)

You can select water or ice.

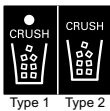
- Select Water, Crushed Ice or Cubed Ice by pressing this button as to the selection desired. The Water, Crushed Ice or Cubed Ice icon will light up to indicate selection.



Light the cubed ice lamp by pressing the selection button. If you have the type 1, the dot on icon will be illuminated, but if you have the type 2, the icon, will be illuminated.



Light the water lamp by pressing the selection button. If you have the type 1, the dot on icon will be illuminated, but if you have the type 2, the icon, will be illuminated.



Light the crushed ice lamp by pressing the selection button. If you have the type 1, the dot on icon will be illuminated, but if you have the type 2, the icon, will be illuminated.

To dispense water or ice, gently push your cup against the dispenser pad.

NOTE: Hold your cup in place for a couple of seconds after dispensing ice or water so the last few drops go in your cup instead of on the floor.

Door Alarm

When either refrigerator or freezer door is left open for more than 60 seconds, an alarm will sound 5 times at thirty-second intervals if the refrigerator or freezer door is left open for more than sixty seconds. To let you know the door is open.

Please contact the local service center if warning tone continues to sound even after closing the door.

ICE PLUS

Press this button once to activate the ice plus function. The ICE PLUS icon on the display panel will illuminate when activated. The ice plus function runs the freezer compartment at the coldest settings for a 24 hour period to increase ice making. Press the button again to cancel the Ice Plus function.

LOCK

The Lock button deactivates the temperature controls and dispenser functions.

Press and hold this button for 3 seconds or until the Lock indicator light is lit.

To disable the Lock function, press and hold the filter button for 3 seconds or until the Lock indicator light is off.

FILTER (filter replacement cycle)

- There is a replacement indicator light for the water filter cartridge on the dispenser.
- Water filter usually needs replacement once every six months.
- Filter light comes on and blink to let you know when to replace filter.
- After replacing filter, press and hold Filter Reset button for three seconds to turn off filter status light

USING YOUR REFRIGERATOR

ADJUSTING CONTROL SETTINGS

Give the refrigerator time to cool down completely before making final adjustments. It is best to wait 24 hours before doing this. The initial settings mentioned in **CONTROL PANEL FEATURES** section should be correct for normal household refrigerator use. The controls are set correctly when milk or juice is as cold as you like and when ice cream is firm.

The refrigerator control functions as the thermostat for the entire appliance (refrigerator and freezer sections). The colder the setting, the longer the compressor will run to keep the temperature colder. The freezer control Adjusts the cold air flow from the freezer to the refrigerator. Setting the freezer control to a lower temperature keeps more cold air in the Freezer compartment to make it colder.

If you need to adjust temperatures in the refrigerator or freezer, start by adjusting the refrigerator. Then wait 24 hours before checking the freezer temperature. If it is too warm or too cold, then adjust the freezer control.

Use the settings listed in the chart below as a guide. **Always remember to wait at least 24 hours between adjustments.**

CONDITION/ REASON :	RECOMMENDED ADJUSTMENT :
<ul style="list-style-type: none"> ■ REFRIGERATOR section too warm – Door opened often – Large amount of food added – Room temperature very warm 	Turn REFRIGERATOR control to next highest level, wait 24 hours
<ul style="list-style-type: none"> ■ FREEZER section too warm/ice not made fast enough – Door opened often – Large amount of food added – Very cold room temperature (Compressor doesn't cycle often enough) – Heavy ice usage – Air vents blocked by items 	Turn FREEZER control to next highest level, wait 24 hours Move items out of airstream
<ul style="list-style-type: none"> ■ REFRIGERATOR section too cold – Controls not set correctly for your conditions 	Set REFRIGERATOR control to next lower level, wait 24 hours
<ul style="list-style-type: none"> ■ FREEZER section too cold – Controls not set correctly for your conditions 	Set FREEZER control to next lower level, wait 24 hours

FOOD STORAGE GUIDE

Wrap or store food in the refrigerator in airtight and moisture-proof material unless otherwise noted. This prevents food odor and taste transfer throughout the refrigerator. For dated products, check date code to ensure freshness.

Items	How to
Butter or margarine	▶ Keep opened butter in a covered dish or closed compartment. When storing an extra supply, wrap in freezer packaging and freeze.
Cheese	▶ Store in the original wrapping until you are ready to use it. Once opened, rewrap tightly in plastic wrap or aluminum foil.
Milk	▶ Wipe milk cartons. For best storage, place milk on interior shelf, not on door shelf.
Eggs	▶ Store in original carton or Utility Bin (Optional) on interior shelf, not on door shelf.
Fruit	▶ Wash, let dry, and store in refrigerator in plastic bags or in the crisper. Do not wash or hull berries until you are ready to use them. Sort and keep berries in their original container in a crisper, or store in a loosely closed paper bag on a refrigerator shelf.
Leafy vegetables	▶ Remove store wrapping and trim or tear off bruised and discolored areas. Wash in cold water and drain. Place in plastic bag or plastic container and store in crisper.
Vegetables with skins (carrots, peppers)	▶ Place in plastic bags or plastic container and store in crisper.
Fish	▶ Use fresh fish and shellfish the same day purchased.
Leftovers	▶ Cover leftovers with plastic wrap or aluminum foil. Plastic containers with tight lids can also be used.

USING YOUR REFRIGERATOR

STORING FROZEN FOOD

NOTE: For further information about preparing food for freezing or food storage times, check a freezer guide or a reliable cookbook.

Packaging

Successful freezing depends on correct packaging. When you close and seal the package, it must not allow air or moisture in or out. If it does, you could have food odor and taste transfer throughout the refrigerator and also dry out frozen food.

Packaging recommendations:

- Rigid plastic containers with "tight-fitting lids"
- Straight-sided canning/freezing jars
- Heavy-duty aluminum foil
- Plastic-coated paper
- Non-permeable plastic wraps
- Specied freezer-grade self-sealing plastic bags

Follow package or container instructions for proper freezing methods.

Do not use

- Bread wrappers
- Non-polyethylene plastic containers
- Containers without tight lids
- Wax paper or wax-coated freezer wrap
- Thin, semi-permeable wrap

CAUTION: Do not keep beverage cans or plastic food containers in the freezer compartment. They may be break if they freeze.

Freezing

Your freezer will not quick-freeze any large quantity of food. Do not put more unfrozen food into the freezer than will freeze within 24 hours [no more than 2 to 3 lbs of food per cubic foot (0.9 to 1.35 kg per cubic meter) of freezer space]. Leave enough space in the freezer for air to circulate around packages. Be careful to leave enough room at the front so the door around packages. Can close tightly.

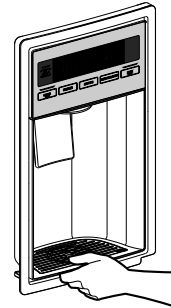
Storage times will vary according to the quality and type of food, the type of packaging or wrap used (airtight and moisture-proof) and the storage temperature. Ice crystals inside a sealed package are normal. This simply means that moisture in the food and air inside the package have condensed, creating ice crystals.

NOTE: Allow hot foods to cool at room temperature for 30 minutes, then package and freeze. Cooling hot foods before freezing saves energy.

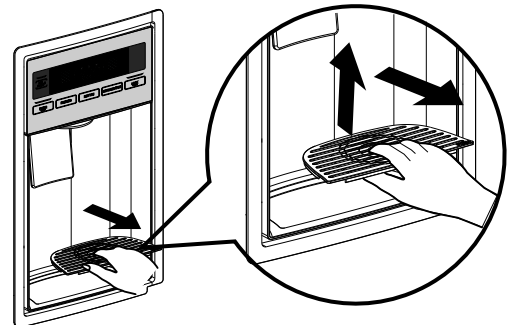
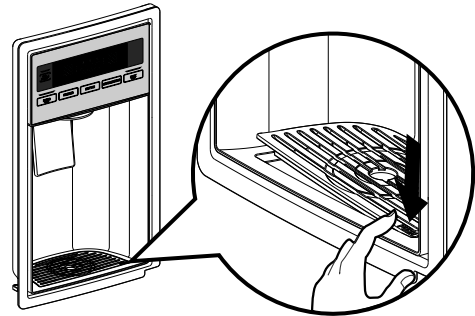
WATER DISPENSER

Your refrigerator has a mechanism that dispatch cool water and ice cubes without open the door.

- Tray can be easily removed by pressing and pulling it.

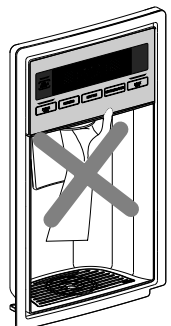


- First push the tray in the area with the word 'PUSH', then place your finger in the center hole and upwards, finally takes out the tray.



WARNING

Do not put your hands into the water & ice dispenser opening. Doing so may cause an injury to your hand.



USING YOUR REFRIGERATOR

⚠ CAUTION

When opening the container with the small opening, use it near the opening of the water or ice dispenser as close as possible.

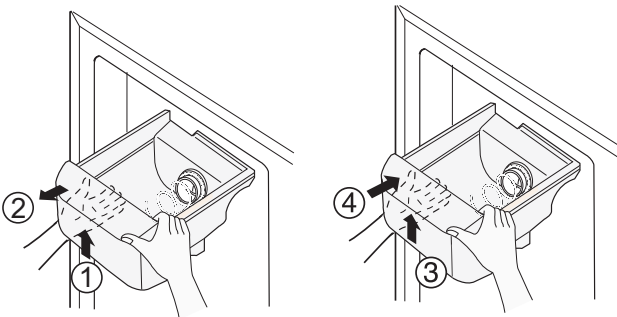


ICE STORAGE BIN

The ice bin stores the ice cubes made by the ice maker. If you need remove the Ice storage bin, please follow the next steps:

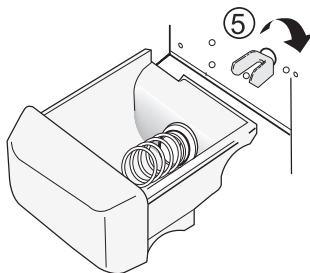
NOTE: Use both hands to remove the ice bin to avoid dropping it. If the ice bin does not slide into place easily, twist the drive device slightly.

- Hold the ice storage bin as shown in the right figure ① and pull it out while slightly lifting it ②.



- To assemble the ice storage bin, push it ③ while slightly lifting it ④.

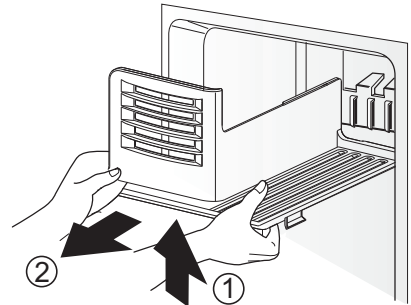
Make sure it is fully engaged into the auger drive ⑤.



ICEMAKER COVER

If you need acces to the Icemaker, follow these steps:

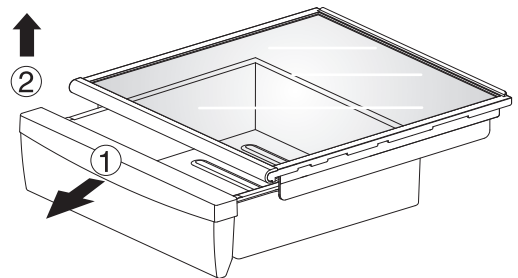
- Remove the ice storage bin. See **ICE STORAGE BIN** for reference.
- Lift the icemaker cover ① and pull it out ② as shown in the figure below.



SNACK PAN

Air is entered in the refrigerator when the door is open, unaffected cold meat due to the position of this tray.

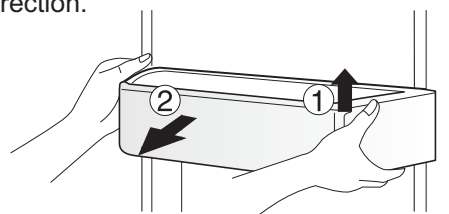
- To remove the snack pan cover, pull out the snack pan compartment a bit to the front ①, then lift the front part of the snack pan compartment later raises a little the snack pan compartment until it leaves the top of the shelf as shown in ②, and take it out.



DOOR RACK AND SUPPORT

Your refrigerator features with racks where you can easily arrange packaged products.

- Lift the door rack holding both sides ① and pull it out in ② direction.

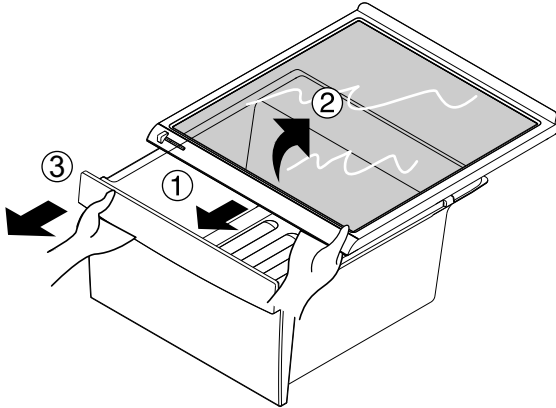


USING YOUR REFRIGERATOR

CRISPER AND CRISPER COVER

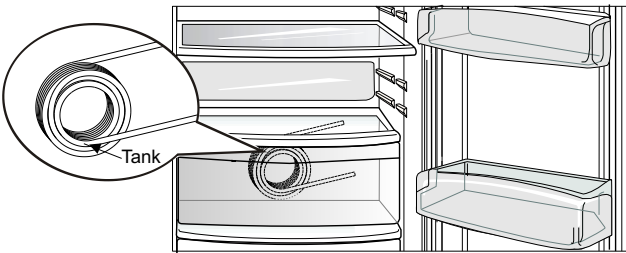
The crisper allows a better conservation of the fruits and vegetables, letting keep moisture in the interior easily.

- To remove the crisper compartment cover, pull out the crisper compartment a bit to the front ①, lift the front part of the cover as shown in ②, and take it out ③.



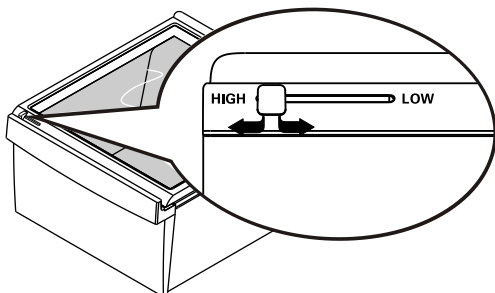
⚠ CAUTION

When remove the crisper compartment you will see the water tank, don't remove it, you can produce a water leakage, (this is not a removable part).



You can control the amount of humidity in the moisture-sealed crispers. Adjust the control to any setting between "HIGH" and "LOW".

- "HIGH": Lets moist air out of the crisper for best storage of fruits.
- "LOW": Keeps moist air in the crisper for best storage of fresh, leafy vegetables.



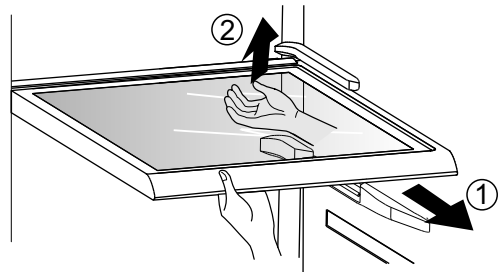
REFRIGERATOR SHELVES

⚠ CAUTION

Make sure to keep shelf horizontal while removing; otherwise it may drop.

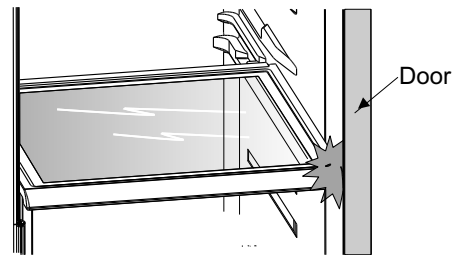
The refrigerator compartment shelf is adjustable so that you can place it at a height according to space requirement of foods.

- Pull the shelf ahead ①, then lift both front and rear ②.

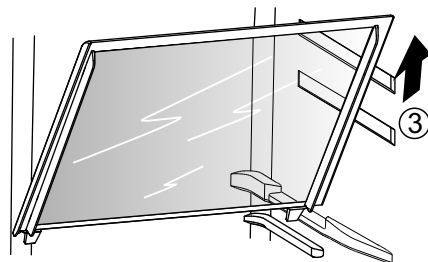


⚠ CAUTION

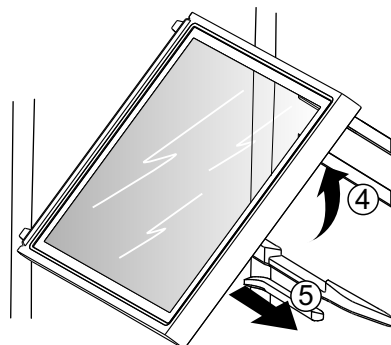
Be careful when pulling out the shelves if you apply too much force, it made hit the refrigerator door and damage it or you could hurt yourself.



- Lift up the shelf on the part of the front in its totally ③.



- Finally, tilt the shelf ④ while taking out ⑤ in the same time to remove.

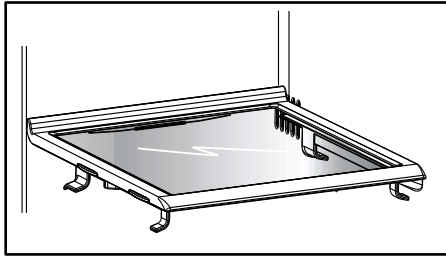


USING YOUR REFRIGERATOR

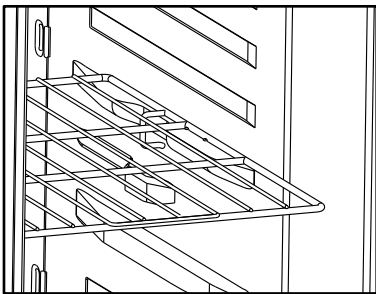
FREEZER SHELF

(Identify your Shelf freezer type)

To assemble or disassemble the freezer shelf (Wire or Glass), follow the next steps:



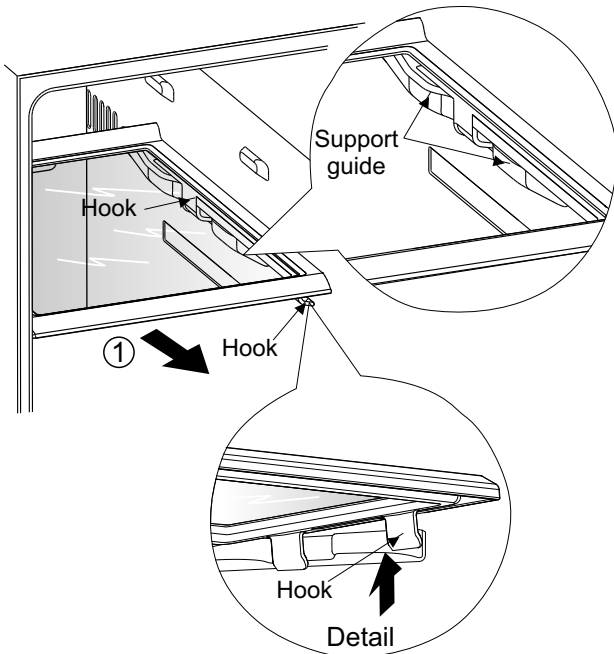
Shelf Freezer glass



Shelf Freezer wire

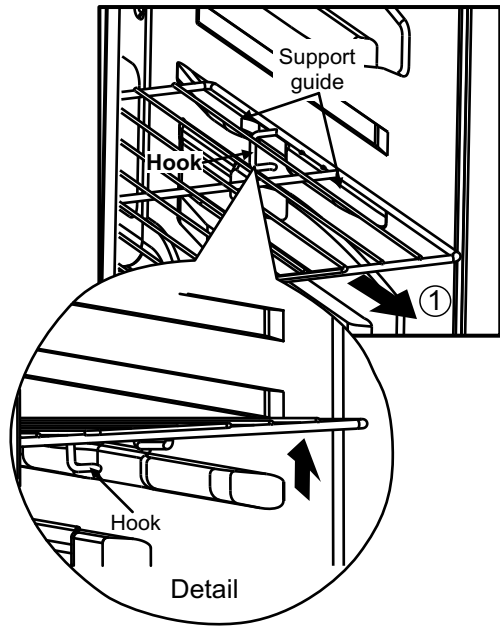
► Shelf Freezer glass

- Pull the shelf towards you ①. You will feel the shelf stop, that means that the second hook of the shelf is in part guide that's support the shelf (view detail).

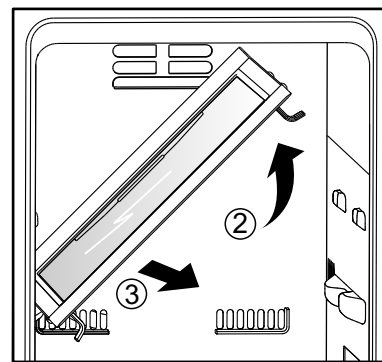


► Shelf Freezer wire

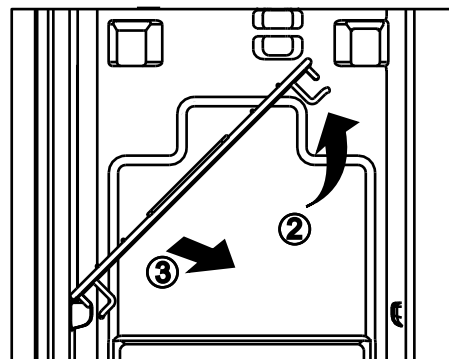
- Pull the shelf towards the front ①. The shelf hook will contact the support on the guide. Lift the shelf so the hook clears the guide support (view detail).



- Tilt the shelf (as shown in figure) ②, and then pull it toward you ③.



Shelf Freezer glass



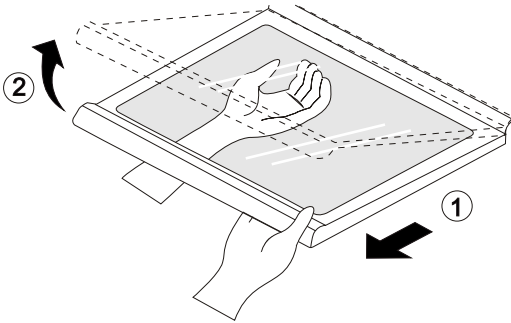
Shelf Freezer wire

USING YOUR REFRIGERATOR

WATER FILTER

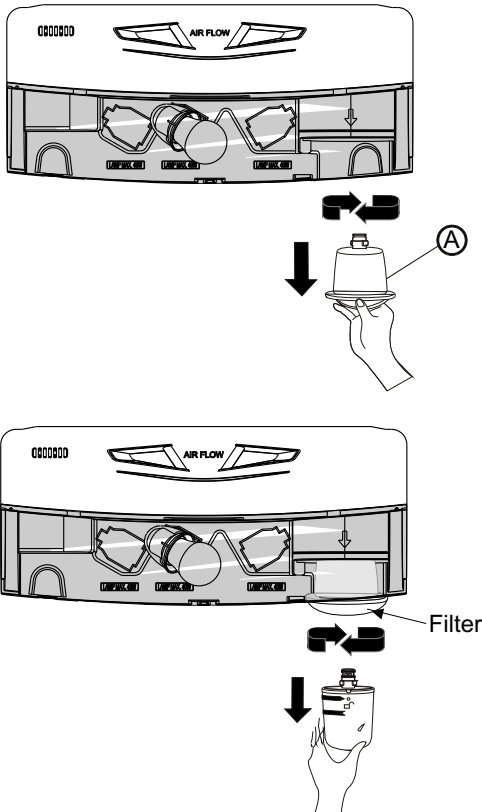
Before removing or installing water filter:

1. Take out the top shelf and move it to the lowest level.
2. **IMPORTANT:** Turn off household water supply.



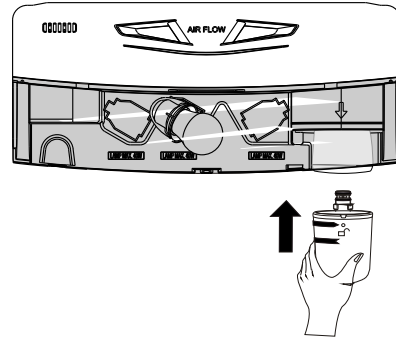
Removing the water filter:

1. For first-time installation, remove filter substitute cap (A) by turning it counterclockwise a quarter turn and pulling it down.
2. For subsequent installation, remove old filter by slowly turning it to the left a quarter turn and pulling it down.



Installing the water filter

Remove red cap from the filter and insert the two tabs on the filter tip into the two slots in the refrigerator filter receptacle. You should feel the filter entering completely. Turn the filter to the right a quarter turn clockwise to lock it into place. The locked symbol will be lined up with the indicator arrow.



After installing water filter:

1. Replace the shelf to the initial position.
2. Turn on household water supply.
3. Dispense 2.5 gallons (9.46 L) of water to purge the system, depressing and releasing the dispenser button (30 seconds ON, 60 seconds OFF). Open the refrigerator door and check the shelf area for leaks.

To purchase or replace water filters (some models does not include this piece in the refrigerator), call your Service center. Refer to the Warranty Card to obtain the telephone number of the Service center near you and ask for part no. ADQ72910901.

CARE AND CLEANING

⚠ WARNING



Explosion Hazard

Use non-flammable cleaner.

Failure to do so can result in death, explosion, or fire.

Both the refrigerator and freezer sections defrost automatically. However, clean both sections about once a month to prevent odors. Wipe up spills immediately.

GENERAL CLEANING TIPS

- Unplug refrigerator or disconnect power.
- Remove all removable parts, such as shelves, crispers, etc. Refer to sections in Using Your Refrigerator for removal instructions.
- Use a clean sponge or soft cloth and a mild detergent in warm water. Do not use abrasive or harsh cleaners.
- Hand wash, rinse and dry all surfaces thoroughly.
- Plug in refrigerator or reconnect power.

OUTSIDE

Waxing external painted metal surfaces helps provide rust protection. Do not wax plastic parts. Wax painted metal surfaces at least twice a year using appliance wax (or auto paste wax). Apply wax with a clean, soft cloth.

Do not use wax stainless steel exteriors. Use a product specially designed for polishing stainless steel appliances, or clean with a soft cloth or clean sponge and a mild detergent dissolved in warm water. Dry thoroughly with a soft cloth.

NOTE: Avoid door surface contact with chemical products that contain Phosphate or Chlorine.

INSIDE WALLS (allow freezer to warm up so cloth won't stick)

To help remove odors, you can wash the inside of the refrigerator with a mixture of baking soda and warm water. Mix 2 tablespoons baking soda to 1 quart of water (26 g soda to 1 liter water.) Be sure the baking soda is completely dissolved so it does not scratch the surfaces of the refrigerator.

DOOR LINERS AND GASKETS

Do not use cleaning waxes, concentrated detergent, bleaches, or cleaners containing petroleum on plastic refrigerator parts.

Use a clean sponge or soft cloth and a mild detergent in warm water. Wash, rinse and dry all surfaces thoroughly.

PLASTIC PARTS (covers and panels)

Do not use window sprays, abrasive cleaners, or flammable fluids. These can scratch or damage the material. Use a clean sponge or soft cloth and a mild detergent in warm water. Wash, rinse and dry all surfaces thoroughly.

BACK COVER

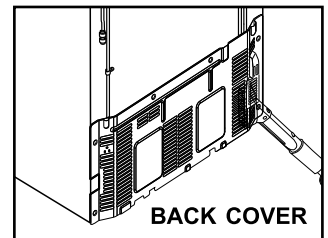
⚠ WARNING

ELECTRICAL SHOCK HAZARD

Before you begin, either unplug the refrigerator or turn off power at the circuit breaker or fuse box. Failure to do so could result in death or serious injury.

NOTE: Back cover should only be removed by a qualified technician.

Clean the vents on the back cover. Use a vacuum cleaner with the brush attachment, at least twice a year to keep your refrigerator working efficiently.



BACK COVER

LAMP REPLACEMENT

⚠ WARNING

Electrical Shock Hazard

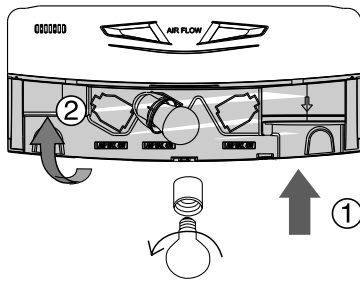
Before replacing a burned-out light bulb, either unplug the refrigerator or turn off power at the circuit breaker or fuse box.

NOTE: Not all appliance bulbs will fit your refrigerator. Be sure to replace the bulb with one of the same size, shape and wattage.

CARE AND CLEANING

To change the refrigerator and freezer lamp:

Remove cover by pressing upward on bottom ① and rotating outward ② turn the bulb counterclockwise. Replace with 40 watt (maximum) appliance bulb.



POWER INTERRUPTIONS

1. If the power will be out for 24 hours or less, keep all refrigerator doors closed to help foods stay cold and frozen.
2. If the power will be out for more than 24 hours:
 - a) Remove all frozen food and store it in a frozen food locker.

OR

- b) Place 2 lbs. (1 kg) of dry ice in the freezer for every cubic foot (28 L) of freezer space. This will keep the food frozen for two to four days. While handling dry ice, wear gloves to protect your hands from frostbite.

⚠ WARNING

Suffocation Hazard

When using dry ice, provide adequate ventilation. Dry ice is frozen carbon dioxide (CO_2). When it vaporizes, it can displace oxygen, causing dizziness, light-headedness, unconsciousness and death by suffocation. Open a window and do not breathe the vapors.

OR

- c) If neither a food locker nor dry ice is available, consume or dispose of food at once.

REMEMBER: In a power failure, a full freezer stays cold longer than a partially filled one. If you see that food contains ice crystals, it may be affected. If the condition of the food is poor, or if you feel it is unsafe, dispose of it.

⚠ WARNING

- **DO NOT** refreeze frozen foods which have thawed completely. The United States Department of Agriculture in Home and Garden Bulletin No. 69 says:
...You may safely refreeze frozen foods that have thawed if they still contain ice crystals or if they are still cold-below 39 °F (4 °C).
...Thawed ground meats, poultry or fish that have any off-odor or off-color should not be frozen and should not be eaten.
Thawed ice cream should be discarded. If the odor or color of any food is poor or questionable, dispose of it. The food may be dangerous to eat.
Even partial thawing and refreezing reduces the eating quality of foods, particularly fruits, vegetables and prepared foods.
The eating quality of red meats is affected less than that of many other foods. Use refrozen foods as soon as possible to save as much of their quality as you can.

WHEN YOU GO ON VACATION

If you choose to leave the refrigerator **ON** while you are away, follow these steps to prepare your refrigerator before you leave.

1. Use up any perishables and freeze other items.
2. Empty the ice bin.
3. Turn **OFF** the Icemaker. **NOTE:** If the ambient temperature will drop below freezing, have a qualified service technician drain the water supply system (on some models) to prevent serious property damage due to possible flooding from ruptured water lines or connections.

If you choose to turn the refrigerator **OFF** before you leave, follow these steps.

1. Remove all food from the refrigerator and empty ice bin.
2. Unplug refrigerator.
3. Clean refrigerator, wipe, and dry well.
4. Tape rubber or wood blocks to the tops of both doors to prop them open far enough for air to get in. This stops odor and mold from building up.

WHEN YOU MOVE

When you are moving your refrigerator to a new home, follow these steps to prepare it for the move.

1. Remove all food from the refrigerator and pack all frozen food in dry ice.
2. Unplug refrigerator.
3. Clean refrigerator, wipe, and dry well.
4. Empty water from the defrost pan.
5. Clean, wipe and dry thoroughly.

CARE AND CLEANING

6. Take out all removable parts, wrap them well and tape together so they don't shift and rattle during the move. Refer to sections in Using your Refrigerator for removal instructions.
7. Depending on the model, raise the front of the refrigerator so it rolls more easily OR screw in the leveling legs all the way so they don't scrape the floor. See the **DOOR ALIGNMENT** section.
8. Tape the doors shut and tape the power cord to the refrigerator cabinet.

When you get to your new home, put everything back and refer to the **REFRIGERATION INSTALLATION** section for setup instructions.

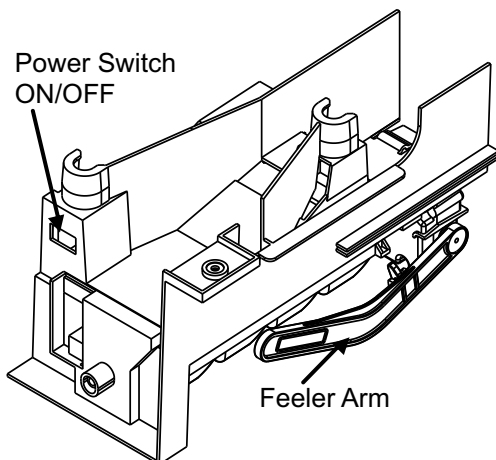
OPERATION INSTRUCTIONS

⚠ WARNING

Personal Injury Hazard

Avoid contact with the moving parts of the ejector mechanism, or with the heating element that releases the cubes. **DO NOT** place fingers or hands on the automatic icemaking mechanism while the refrigerator is plugged in.

A newly-installed refrigerator may take 12 to 24 hours to begin making ice.



The icemaker will produce 8 cubes per cycle, approximately 70-80 cubes in a 24-hour period, depending on freezer compartment temperature, room temperature, number of door openings and other operating conditions.

If the refrigerator is used before the water connection is made to the icemaker, set the power switch to **OFF**.

When the refrigerator has been connected to the water supply, set the power switch to **ON**.

The icemaker will fill with water when it cools to freezing. A newly-installed refrigerator may take 12 to 24 hours to begin making ice cubes.

Throw away the first few batches of ice to allow the water line to clear.

Be sure nothing interferes with the sweep of the feeler arm.

When the bin fills to the level of the feeler arm, the icemaker will stop producing ice.

It is normal for several cubes to be stuck together.

If ice is not used frequently, old ice cubes will become cloudy, taste stale, and shrink.

WHEN YOU SHOULD SET THE ICEMAKER POWER SWITCH TO (OFF)

- When the water supply will be shut off for several hours.
- When the ice storage bin is removed for more than a minute or two.
- When the refrigerator will not be used for several days.

NORMAL SOUNDS YOU MAY HEAR

- The icemaker water valve will buzz as the icemaker fills with water. If the power switch is in the **ON** position, it will buzz even if it has not yet been hooked up to water. To stop the buzzing, move the power switch to **OFF** position.

NOTE: Keep the power switch in the **ON** position before the water line is connected can damage the icemaker.

- You will hear the sound of cubes dropping into the bin and water running in the pipes as the icemaker refills.

CONNECTING THE WATER LINE

BEFORE YOU BEGIN

This water line installation is not warranted by the refrigerator or icemaker manufacturer. Follow these instructions carefully to minimize the risk of expensive water damage.

Water hammer (water banging in the pipes) in house plumbing can cause damage to refrigerator parts and lead to water leakage or flooding. Call a qualified plumber to correct water hammer before installing the water supply line to the refrigerator

To prevent burns and product damage, do not hook up the water line to the hot water line.

If you use your refrigerator before connecting the water line, make sure the icemaker power switch is in the **O (off)** position.

Do not install the icemaker tubing in areas where temperatures fall below freezing.

When using any electrical device (such as a power drill) during installation, be sure the device is double-insulated or grounded in a manner to prevent the hazard of electric shock, or is battery-powered.

All installations local must be in accordance with plumbing code requirements.

NOTE: Wear eye protection.

- **If a reverse osmosis water filtration system** is connected to your cold water supply. This water line installation is not warranted by the refrigerator or icemaker manufacturer. Follow next instruction carefully to minimize the risk of expensive water damage.

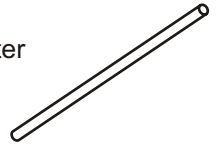
- **If a reverse osmosis water filtration system** is connected to your cold water supply, the water pressure to the reverse osmosis system needs to be a minimum of 40 to 60 PSI (2.8 kg·f/cm² ~ 4.2 kg·f/cm², less than 2~3 sec to fill a cup of 7 oz capacity).

If the water pressure from the reverse osmosis system is less than 21 PSI (1.5 kg·f/cm², more than 4 sec to fill a cup of 7 oz capacity).

- Check to see whether the sediment filter in the reverse osmosis system is blocked. Replace the filter if necessary.
- Allow the storage tank on the reverse osmosis system to refill after heavy usage.
- If the issue about water pressure from reverse osmosis remains, call a licensed, qualified plumber.

WHAT YOU WILL NEED

- **Copper Tubing**, 1/4" (6.35 mm) outer diameter to connect the refrigerator to the water supply. Be sure both ends of the tubing are cut square.

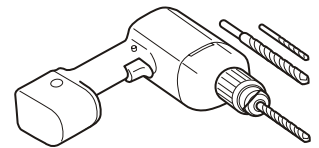


To determine how much tubing you need: measure the distance from the water valve on the back of the refrigerator to the water supply pipe. Then add 8 feet (2.4 m). Be sure there is sufficient extra tubing (about 8 feet [2.4 m] coiled into 3 turns of about 10" [25 cm] diameter) to allow the refrigerator to move out from the wall after installation.

Be sure that the kit you select allows at least 8 feet (2.4 m) as described above.

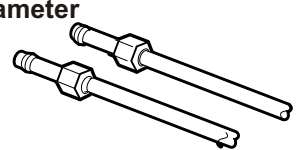
- **A cold water supply.** The water pressure must be between 0.137 and 0.82 MPa (20 and 120 PSI or 1.4 bar and 8.2 bar) on models without a water filter and between 0.275 and 0.82 MPa (40 and 120 PSI or 2.8 bar and 8.2 bar) on models with a water filter.

- **Power drill.**
- **1/2" (12.7 mm) or Adjustable Wrench.**

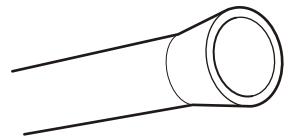


- **Flat head-and Phillips-screwdrivers.**

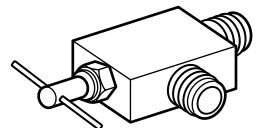
- **Two 1/4" (6.35 mm) outer diameter compression nuts and 2 Ferrules (sleeves)** to connect the copper tubing to the shutoff valve and the refrigerator water valve.



- If your existing copper water line has a flared fitting at the end, you will need an **adapter** (available at plumbing supply stores) to connect the water line to the refrigerator OR you can cut off the flared fitting with a tube cutter and then use a compression fitting.



- **Shutoff valve to connect to the cold water line.** The shutoff valve should have a water inlet with a minimum inside diameter of 5/32" (3.96 mm) at the point of connection to the COLD WATER LINE. Saddle-type shutoff valves are included in many water supply kits. Before purchasing, make sure a saddle-type valve complies with your local plumbing codes.



CONNECTING THE WATER LINE

INSTALLATION INSTRUCTIONS

Install the shutoff valve on the nearest frequently used drinking water line.

⚠ CAUTION

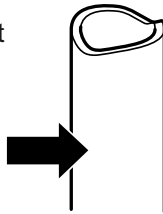
Only connect to the potable water provision.

1. SHUTOFF THE MAIN WATER SUPPLY

Turn on the nearest faucet to relieve the pressure on the line.

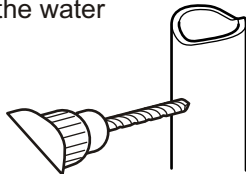
2. CHOOSE THE VALVE LOCATION

Choose a location for the valve that is easily accessible. It is best to connect into the side of a vertical water pipe. When it is necessary to connect into a horizontal water pipe, make the connection to the top or side, either than at the bottom, to avoid drawing off any sediment from the water pipe.



3. DRILL THE HOLE FOR THE VALVE

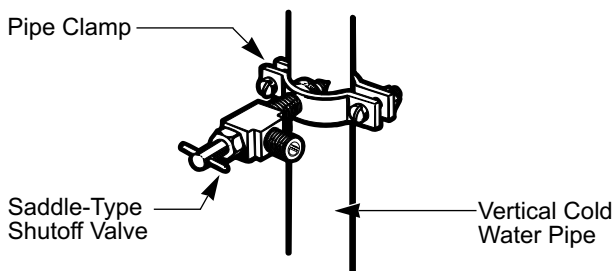
Drill a 1/4" (6.35 mm) hole in the water pipe (even if using a self-piercing valve) using a sharp bit. Remove any burrs resulting from drilling the hole in the pipe. Take care not to allow water to drain into the drill. Failure to drill a 1/4" (6.35 mm) hole may result in reduced ice production or smaller cubes.



NOTE: The hookup line cannot be white, plastic tubing NDA tubing #49595 or 49499 or Cross Link Polyethylene (PEX) tubing.

4. FASTEN THE SHUTOFF VALVE

Fasten the shutoff valve to the cold water pipe with the pipe clamp.

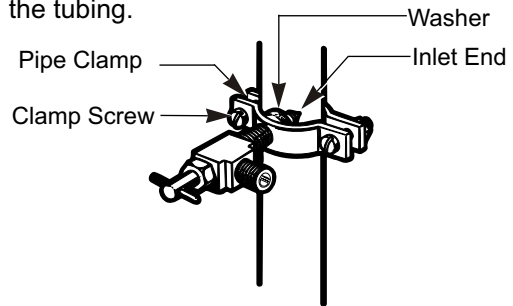


NOTE: Commonwealth of Massachusetts Plumbing Codes 248CMR shall be adhered to. Saddle valves are illegal and use is not permitted in Massachusetts. Consult with your licensed plumber.

5. TIGHTEN THE PIPE CLAMP

Tighten the clamp screws until the sealing washer begins to swell.

NOTE: Do not overtighten or you may crush the tubing.



6. ROUTE THE TUBING

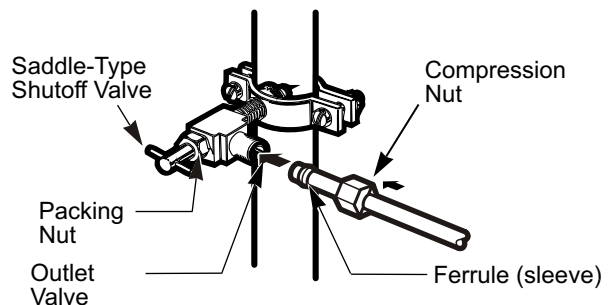
Route the tubing between the cold water line and the refrigerator.

Route the tubing through a hole drilled in the wall or floor (behind the refrigerator or adjacent base cabinet) as close to the wall as possible.

NOTE: Be sure there is sufficient extra tubing [about 8 feet (244 mm) coiled into 3 turns of about 10" (25 cm) diameter] to allow the refrigerator to move out from the wall after installation.

7. CONNECT THE TUBING TO THE VALVE

Place the compression nut and ferrule (sleeve) for copper tubing onto the end of the tubing and connect it to the shutoff valve. Make sure the tubing is fully inserted into the valve. Tighten the compression nut securely.



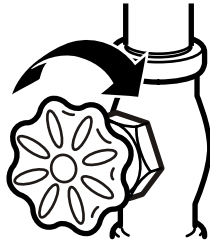
NOTE: Commonwealth of Massachusetts Plumbing Codes 248CMR shall be adhered to. Saddle valves are illegal and use is not permitted in Massachusetts. Consult with your licensed plumber.

CONNECTING THE WATER LINE

8. FLUSH OUT THE TUBING

Turn the main water supply on and flush out the tubing until the water is clear.

Shut the water off at the water valve after about one quart of gallon of water has been flushed through the tubing.

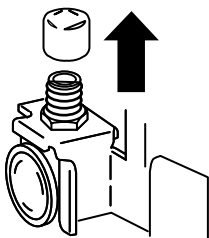


9. CONNECT THE TUBING TO THE REFRIGERATOR

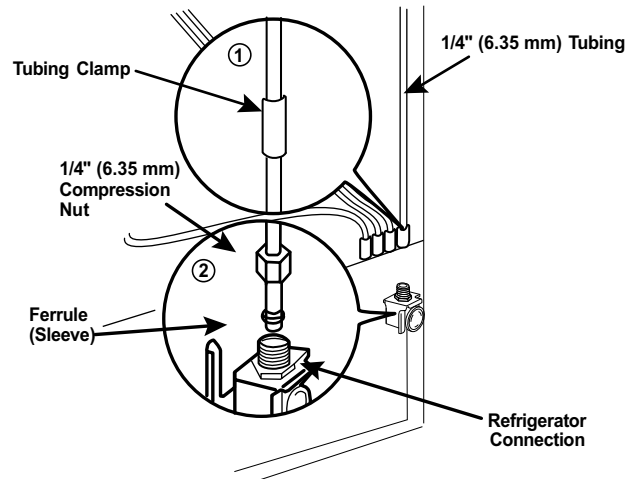
NOTES:

- Before making the connection to the refrigerator, be sure the refrigerator power cord is not plugged into the wall outlet.
- If your refrigerator does not have a water filter, we recommend installing one. If your water supply has sand or particles that could clog the screen of the refrigerator's water valve. Install the filter in the water line near the refrigerator
- Do not use old hoses, only use new hoses provided by the manufacturer.

1. Remove the plastic flexible cap from the refrigerator connection.
2. Place the compression nut and ferrule (sleeve) onto the end of the tubing.
3. Insert the end of the tubing into the connection as far as possible. While holding the tubing, tighten the fitting.



CAUTION: Review not occurring leakage in the water line.



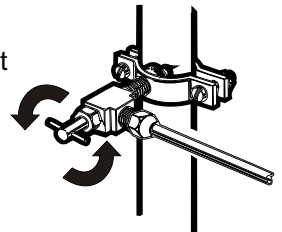
Fasten the tubing into the tubing Clamp attached to the back of the refrigerator.

First, loosen the screw fastening the clamp. Next, insert the tubing in the groove. Finally, re-fasten the screw.

10. TURN THE WATER ON AT THE SHUTOFF VALVE

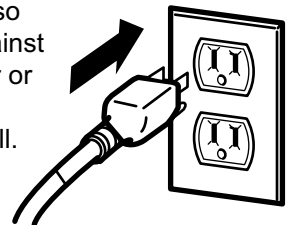
Tighten any connections that leak.

Reattach the compressor compartment access cover.



11. PLUG IN THE REFRIGERATOR

Arrange the coil of tubing so that it does not vibrate against the back of the refrigerator or against the wall. Push the refrigerator back to the wall.



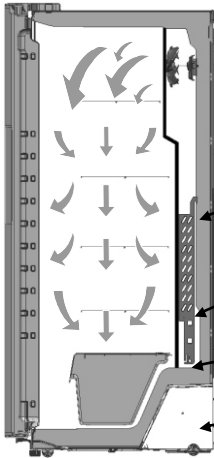
12. START THE ICE MAKER

Set the icemaker power switch to the ON position. The icemaker will not begin to operate until it reaches its operating temperature of 15 °F (-9 °C) or below. It will then begin operation automatically if the icemaker power switch is in the I (on) position.

TROUBLESHOOTING GUIDE

UNDERSTANDING SOUNDS YOU MAY HEAR

Your new refrigerator may make sounds that your old one didn't make. Because the sounds are new to you, you might be concerned about them. Most of the new sounds are normal. Hard surfaces, like the floor, walls and cabinets, can make the sounds seem louder than they actually are. The following describes the kinds of sounds and what may be making them.



- The defrost timer will click when the automatic defrost cycle begins and ends. The thermostat control (or refrigerator control, depending on the model) will also click when cycling on and off.
- Rattling noises may come from the flow of refrigerant, the water line, or items stored on top of the refrigerator.
- Your refrigerator is designed to run more efficiently to keep your food items at the desired temperature. The high efficiency compressor may cause your new refrigerator to run longer than your old one, and you may hear a pulsating or high-pitched sound.
- You may hear the evaporator fan motor circulating the air through the refrigerator and freezer compartments.
- As each cycle ends, you may hear a gurgling sound due to the refrigerant flowing in your refrigerator.
- Contraction and expansion of the inside walls may cause a popping noise.
- Water dripping on the defrost heater during a defrost cycle may cause a sizzling sound.
- You may hear air being forced over the condenser by the condenser fan.
- You may hear water running into the drain pan during the defrost cycle.

REFRIGERATOR DOES NOT OPERATE

Check if...

Then...

The power supply cord is unplugged.	Firmly plug the cord into a live outlet with proper voltage.
A household fuse has blown or circuit breaker tripped.	Replace the fuse or reset the circuit breaker.
The refrigerator control is set to the OFF position.	Refer to the CONTROL PANEL FEATURES .
Refrigerator is in the defrost cycle.	Wait about 30 minutes for defrost cycle to end.

VIBRATION OR RATTLING NOISE

Check if...

Then...

The refrigerator is not resting solidly on the floor.	Floor is weak or uneven or leveling legs need adjusting. See DOOR ALIGNMENT Section.
---	---

LAMPS DO NOT WORK

Check if...

Then...

The power supply cord is unplugged.	Firmly plug the cord into a live outlet with proper voltage.
Light bulb is loose in the socket.	Unplug the refrigerator. Gently remove the bulb and reinsert. Then plug in refrigerator and reset the refrigerator control.

TROUBLESHOOTING GUIDE

LAMPS DO NOT WORK

Check if...

Then...

Light bulb has burned out.	Replace with an appliance bulb of the same wattage, size and shape available at your local hardware store. (See the LAMP REPLACEMENT section.) Turn the temperature control to the OFF position and unplug the refrigerator prior to replacement.
----------------------------	---

COMPRESSOR MOTOR SEEMS TO RUN TOO MUCH

Check if...

Then...

The refrigerator that was replaced was an older model.	Modern refrigerators with more storage space require more operating time.
The room temperature is hotter than normal.	The motor will run longer under warm conditions. At normal room temperatures, expect your motor to run about 40% to 80% of the time. Under warmer conditions, expect it to run even more often.
The door is opened often or a large amount of food has just been added.	Adding food and opening the door warms the refrigerator. It is normal for the refrigerator to run longer in order to cool the refrigerator back down. Adding a large amount of food warms the refrigerator. See the FOOD STORAGE GUIDE Section. In order to conserve Energy, try to get everything you need out of the refrigerator at once, keep food organized so it is easy to find and close the door as soon as the food is removed.
The refrigerator was recently plugged in and the refrigerator control was set correctly	The refrigerator will take up to 24 hours to cool completely.
The refrigerator control was not set correctly for the surrounding conditions.	See the ADJUSTING CONTROL SETTINGS Section.
The doors are not closed completely.	Push the doors firmly shut. If they will not shut all the way, see Doors will not close completely below.
The condenser coils are dirty.	This prevents air transfer and makes the motor work harder. Clean the condenser coils. Refer to the CARE AND CLEANING section.

DOORS WILL NOT CLOSE COMPLETELY

Check if...

Then...

The refrigerator is not level.	See the REFRIGERATOR INSTALLATION AND DOOR ALIGNMENT section to level refrigerator.
Food packages are blocking the door open.	Rearrange food containers to clear door and door shelves.
The ice bin, crisper cover, pans, shelves, door bins or baskets are out of position.	Push bins all the way in and put crisper cover, pans, shelves and baskets into their correct positions. See the USING YOUR REFRIGERATOR Section.
The gaskets are sticking.	Clean gaskets and the surface that they touch. Rub a thin coat of paraffin wax on the gaskets after cleaning.

TROUBLESHOOTING GUIDE

THE ICEMAKER IS NOT PRODUCING ICE OR ICE CUBES ARE FREEZING TOO SLOWLY

Check if...	Then...
The freezer temperature is cold enough to produce ice.	Wait 24 hours after hook-up for ice production. See the CONTROL PANEL FEATURES section.
Door left open.	Check to see if something is holding the door open.

CUBES PRODUCED BY ICEMAKER ARE TOO SMALL

Check if...	Then...
Water shutoff valve connecting refrigerator to water line may be clogged.	Call a plumber to clear the valve.

THE DOORS ARE DIFFICULT TO OPEN

Check if...	Then...
The gaskets are dirty or sticky.	Clean gaskets and the surfaces that they touch. Rub a thin coat of appliance polish or kitchen wax on the gaskets after cleaning
The door is reopened within a short time after having been opened.	When you open the door, warmer air enters the refrigerator. As the warm air cools, it can create a vacuum. If the door is hard to open, wait 5 minutes to allow the air pressure to equalize, then see if it opens more easily.

AUTOMATIC ICEMAKER DOES NOT WORK

Check if...	Then...
Icemaker power switch in the O (off) position.	Move the switch to the I (on) position.
Water supply turned off or not connected.	See the CONNECTING THE WATER LINE section.
Freezer compartment too warm.	Wait 24 hours for the freezer to reach its ideal temperature.
Piled up cubes in the storage bin cause the icemaker to shut off.	Level cubes by hand or shake the bin occasionally.

TEMPERATURE IS TOO WARM OR THERE IS INTERIOR MOISTURE BUILDUP

Check if...	Then...
The air vents are blocked. Cold air circulates from the freezer to the fresh food section and back again through air vents in the wall dividing the two sections.	Locate air vents by using your hand to sense airflow and move all packages that block vents and restrict airflow. Refer to ENSURING PROPER AIR CIRCULATION section for the location of air vents.

TROUBLESHOOTING GUIDE

TEMPERATURE IS TOO WARM OR THERE IS INTERIOR MOISTURE BUILDUP (CONTINUED)

Check if...	Then...
The doors are opened often.	When the door is opened, warm humid air is allowed into the refrigerator. The more the door is opened, the faster the humidity builds up, and the more warm air the refrigerator must cool. In order to keep the refrigerator cool, try to get everything you need out of the refrigerator at once, keep food organized so it is easy to find and close the door as soon as the food is removed.
The control is not set correctly for the surrounding conditions.	Refer to the CONTROL PANEL FEATURES section. Wait 24 hours for temperatures to stabilize or even out. If the temperature is too cold or too warm, move the dial one number at a time.
Alarge amount of food has just been added to the refrigerator or freezer.	Adding food warms the refrigerator. It can take a few hours for the refrigerator to return to normal temperature.
The food is not packaged correctly.	Wrap food tightly and wipe off damp containers prior to storing in the refrigerator to avoid moisture accumulation. If necessary, repack food according to the guidelines in the FOOD STORAGE GUIDE section.
The doors are not closing completely.	See “Doors will not close completely” .
The weather is humid.	In humid weather, air carries moisture into refrigerator when doors are opened.
Aself-defrost cycle was completed.	It is normal for droplets to form on the back wall after the refrigerator self-defrosts.

DOORS WILL NOT CLOSE COMPLETELY

Check if...	Then...
The refrigerator wobbles or seems unstable.	Level the refrigerator. Refer to the DOOR ALIGNMENT section.
The doors were removed during product installation and not properly replaced.	Remove and replace the doors according to the REMOVING AND REPLACING REFRIGERATOR DOORS section, or call qualified service technician.

FROST OR ICE CRYSTALS ON FROZEN FOOD

Check if...	Then...
The door is not closing properly.	See “Doors will not close completely” above.
The door is opened often.	When the door is opened, warm, humid air is allowed in the freezer resulting in frost.

TROUBLESHOOTING GUIDE

ICE HAS OFF-TASTE OR ODOR

Check if...

Then...

The icemaker was recently installed.	Discard first few batches of ice to avoid discolored or off-flavored ice.
The ice has been stored for too long.	Throw away old ice and make new supply.
The food has not been wrapped tightly in either compartment.	Rewrap foods since odors may migrate to the ice if food is not wrapped properly.
The water supply contains minerals such as sulfur.	A filter may need to be installed to eliminate taste and odor problems.
The interior of refrigerator needs cleaning.	See CARE AND CLEANING section.
Ice storage bin needs cleaning.	Empty and wash bin. Discard old cubes.

THERE IS WATER IN THE DEFROST DRAIN PAN

Check if...

Then...

The refrigerator is defrosting.	The water will evaporate. It is normal for water to drip into the defrost pan.
It is more humid than normal.	Expect that the water in the defrost pan will take longer to evaporate. This is normal when it is hot or humid.

THE REFRIGERATOR SEEMS TO MAKE TOO MUCH NOISE

Check if...

Then...

The sounds may be normal for your refrigerator.	Refer to the UNDERSTANDING SOUNDS YOU MAY HEAR section.
---	--

WARRANTY

Visit our web site/<http://www.lgservice.com>

LG Electronics

LIMITED WARRANTY United States of America

LG Electronics will repair or at its option replace, without charge, your product which proves to be defective in material or workmanship under normal use during the warranty period listed below from the date of original purchase.

This warranty is good only to the original purchaser of the product during the warranty period as long as it is in the U.S. including Alaska, Hawaii, and U.S. Territories.

LG Refrigerator / Freezer Warranty Period

Product	Parts	Labor
Refrigerator / Freezer	1 year	1 year [In-Home Service (Except Model GR-051)]
Sealed System (Compressor, Condenser, Evaporator)	7 years	1 year [In-Home Service (Except Model GR-051)]

No other express warranty is applicable to this product. THE DURATION OF ANY IMPLIED WARRANTIES, INCLUDING THE IMPLIED WARRANTY OF MERCHANTABILITY, IS LIMITED TO THE DURATION OF THE EXPRESS WARRANTY HEREIN. LG ELECTRONICS SHALL NOT BE LIABLE FOR THE LOSS OF USE OF THE PRODUCT, INCONVENIENCE, LOSS OR ANY OTHER DAMAGES, DIRECT OR CONSEQUENTIAL, ARISING OUT OF THE USE OF OR INABILITY TO USE, THIS PRODUCT OR FOR ANY BREACH OF ANY EXPRESS OR IMPLIED WARRANTY, INCLUDING THE IMPLIED WARRANTY OF MERCHANTABILITY APPLICABLE TO THIS PRODUCT.

Some States do not allow the exclusion or limitation of incidental or consequential damages or limitations on how long an implied warranty lasts; so these limitations or exclusions may not apply to you. This warranty gives you specific legal rights and you may also have other rights which vary from state to state.

THE ABOVE WARRANTY DOES NOT APPLY TO:

1. Service trips to your home to deliver and pickup, install, instruct, or replace house fuses or correct house wiring or plumbing, or correction of unauthorized repairs.
2. Damage to the product caused by accident, pests, fire, floods, or acts of God.
3. Repairs when your LG product is used in other than normal, single-family household use.
4. Damage resulting from accident, alteration, misuse, abuse, or improper installation.
5. Damages caused during and/or after delivery
6. Display, discount, or refurbished units purchased with scratches, dents, or defects.

Proof of purchase is required and must be provided to LG in order to validate warranty.

Therefore, these costs are paid by the consumer.

If the product is installed outside the normal service area, any cost of transportation involved in the repair of the product, or the replacement of defective parts, shall be borne by the owner.

CUSTOMER ASSISTANCE NUMBERS:

To obtain Warranty Coverage:

Retain your Bill of Sale to prove date of purchase.

A Copy of your Sales Receipt must be submitted at the time warranty service is provided.

To obtain Product or Customer

Call 1-800-243-0000

(24 hrs a day, 7 days per week, 365 days per year)

Service Assistance:

Press the appropriate menu option, and have your product type (Refrigerator), model number, serial number, and ZIP/Postal Code ready.

**To obtain the nearest
Authorized Service Center:**

Call 1-800-243-0000

(24 hrs a day, 7 days per week, 365 days per year)

Press the appropriate option, and have your product type (Refrigerator), model number, serial number, and ZIP/Postal Code ready.

TABLA DE CONTENIDO

Instrucciones Importantes de Seguridad	32	Cuidado y Limpieza	48-50
Requerimientos de Conexión a Tierra	33	Consejos Generales de Limpieza	48
Partes y Funciones	34	Exterior	48
Instalación del Refrigerador	35-39	Paredes Internas	48
Desempaque del Refrigerador	35	Revestimiento de las Paredes	48
Instalación	35	Partes Plásticas	48
Instalación de la Cubierta Inferior	35	Tapa Posterior	48
Desinstalación de la manija	36	Cambio de Lámpara	48-49
Desinstalación y Reemplazo de las Puertas del refrigerador	37-38	Interrupciones de Electricidad	49
Alineamiento de Puertas	39	Cuando se vaya de vacaciones	49
Uso del Refrigerador	40-46	Cuando se Mude	49-50
Asegurando el Flujo de Aire adecuado	40	Instrucciones de Operación	50
Siguiente Paso	40	Cuando debe Cambiar a Modo Apagado (Off) a la Fábrica de Hielo	50
Panel de Control	40-41	Sonidos Normales que puede escuchar	50
Ajuste de los Controles	42	Conexión de la Tubería de Agua	51-53
Guía para almacenar alimento	42	Antes de Comenzar	51
Almacenamiento de Alimentos Congelados	43	Qué necesitará	51
Dispensador de Agua	43-44	Instrucciones de Instalación	51-53
Bandeja para hielo	44	Guía de Solución de Problemas	54-58
Cubierta de la Fábrica de hielo	44	Garantía (E.U.A)	59
Anaqueles de la Puerta	44		
Gaveta para Meriendas "Charola para Carnes frías"	44		
Compartimiento y Tapa para Verduras	45		
Estantes del Refrigerador	45		
Estantes del Congelador	46		
Filtro para Agua	47		

INSTRUCCIONES IMPORTANTES DE SEGURIDAD

Esta guía contiene muchos mensajes importantes de seguridad. Siempre lea y obedezca todos los mensajes de seguridad.



Este es el símbolo de advertencia de seguridad. Le avisa de mensajes de seguridad que le informan sobre peligros potenciales que pueden ocasionar la muerte o una lesión a usted y a los demás, o causar daño al producto.

Todos los mensajes serán precedidos por el símbolo de alerta de seguridad y de la palabra PELIGRO, ADVERTENCIA o PRECAUCION. Estas palabras significan:

PELIGRO

Si no sigue las instrucciones, de inmediato, usted puede morir o sufrir una lesión grave.

ADVERTENCIA

Si no sigue las instrucciones, usted puede morir o sufrir una lesión grave.

PRECAUCION

Indica una situación de peligro inminente, la cual si no se evita puede resultar en heridas medianas o pequeñas, o solamente en el daño del producto.

Todos los mensajes de seguridad le dirán el peligro potencial, le dirán cómo reducir las posibilidades de sufrir una lesión y lo que puede suceder si no se siguen las instrucciones.

ADVERTENCIAS

Para reducir el riesgo de incendio, choque eléctrico, o lesiones personales al usar su producto, debe seguir precauciones básicas de seguridad, incluyendo las siguientes:

- Nunca desconecte su refrigerador jalando el cable de electricidad. Siempre sujete el enchufe firmemente y jale directamente del enchufe.
- Repare o reemplace inmediatamente todos los cables eléctricos que se han dañado o roto. No utilice un cable que éste desgastado o con abrasiones en la parte del cable o en su enchufe.
- Cuando mueva su refrigerador de la pared tenga cuidado en no pasarle por encima o dañar el cable de electricidad.
- NO almacene o utilice gasolina u otros vapores y líquidos inflamables en la cercanía de este o de otros enceres.
- NO permita que los niños se trepen, paren o cuelguen de las puertas o estantes del refrigerador. Puede dañarlo y ocasionarse alguna herida seria.
- Mantenga sus dedos fuera de esas áreas peligrosas de pinchazos; los espacios entre las puertas y entre las puertas de los gabinetes son pequeños. Tenga cuidado al cerrar las puertas cuando haya niños en el área.
- Desconecte su refrigerador antes de limpiarlo o de hacer cualquier reparación. **NOTA:** Le recomendamos que cualquier servicio sea realizado por personal capacitado.
- Antes de reemplazar un foco de luz fundido, desconecte el refrigerador o interrumpa la corriente de electricidad en el cortacircuitos o caja de fusibles para evitar contacto con un filamento de cable abierto. (Un foco de luz fundido puede quebrarse al ser reemplazado).
NOTA: Ajustando uno o ambos controles al modo de **APAGADO** no corta del todo la electricidad al circuito de luz.
- No almacene botellas en el compartimiento del congelador pueden quebrarse al estar congeladas y causar daños.
- Por seguridad personal, este producto tiene que estar debidamente conectado al terminal de conexión de -

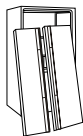
-tierra. Haga que un electricista le revise el circuito y el enchufe de la pared para confirmar que la salida está debidamente conectada.

- Lea todas las instrucciones antes de utilizar este producto.
- Utilice este producto para su uso adecuado según las instrucciones de la guía de uso y cuidado.
- Este refrigerador debe estar debidamente instalado de acuerdo a las Instrucciones que están pegadas en la parte de enfrente del refrigerador.
- Una vez que su refrigerador se encuentre en operación, no toque con las manos húmedas o mojadas las superficies frías dentro del congelador. La piel puede pegarse a las superficies extremadamente frías.
- En aquellos refrigeradores con fábrica automática de hielo, evite el contacto de las partes móviles del mecanismo expulsor, o con el mecanismo de calentamiento que libera los cubos. No coloque sus dedos o manos en estos mecanismos cuando el refrigerador esté conectado.
- NO vuelva a congelar alimentos que han sido descongelados completamente. El Departamento de Agricultura de los Estados Unidos en el Boletín #69 de Hogar y Jardinería establece que:
“...Usted puede volver a congelar de manera segura, alimentos que han sido descongelados si éstos aún contienen cristales de hielo o si aún están fríos por debajo de 40 °F (4 °C).”
“Carnes picadas, aves o pescados que tengan un olor o color raro no deben consumirse. El helado derretido debe desecharse. Si el color u olor de cualquier alimento es dudoso o de mala apariencia, elimínelo. Los alimentos puede que sean dañinos para el consumo.”
“Descongelar parcialmente y volver a congelar reduce la calidad de consumo de los alimentos, particularmente en las frutas, vegetales y alimentos preparados. La calidad de consumo de las carnes rojas puede mantenerse mayor tiempo que los demás. Use los productos que vuelva a congelar tan pronto como le sea posible para mantener su calidad.”

GUARDE ESTAS INSTRUCCIONES

⚠ PELIGRO: LOS NIÑOS SE PUEDEN QUEDAR ENCERRADOS

El quedar atrapado y asfixia de niños no es un problema del pasado. Los refrigeradores tirados y abandonados son un peligro, aún si van a quedar ahí "por unos cuantos días". Si Ud. está por deshacerse de su refrigerador viejo, por favor siga las instrucciones que se dan a continuación para prevenir accidentes.



Antes de tirar su refrigerador o congelador cuando ya no se use:

- Saque las puertas.
- Deje los estantes en su lugar, así los niños no pueden meterse al refrigerador con facilidad.

Este aparato no está diseñado para el uso de personas (incluyendo niños) con limitaciones físicas, sensoriales o mentales, o con falta de experiencia y conocimientos con respecto al uso de este aparato, a menos que sean supervisados por una persona responsable o se les dé instrucciones relativas al uso del aparato por su seguridad.

Los niños deben ser supervisados para garantizar que no jueguen con el aparato.

ELIMINACIÓN DE CFC

Su refrigerador viejo tiene un sistema de refrigeración que utiliza CFC (clorofluorocarbonos). Los CFC afectan a la capa estratosférica de ozono.

Si usted está por deshacerse de su refrigerador viejo, asegúrese que el refrigerante CFC sea eliminado de la manera apropiada por personal calificado.

Si usted libera intencionalmente el refrigerante con CFC puede estar sujeto a multas o prisión de acuerdo a las legislaciones ambientales vigentes. Contacte a la agencia de su localidad para desechar su refrigerador.

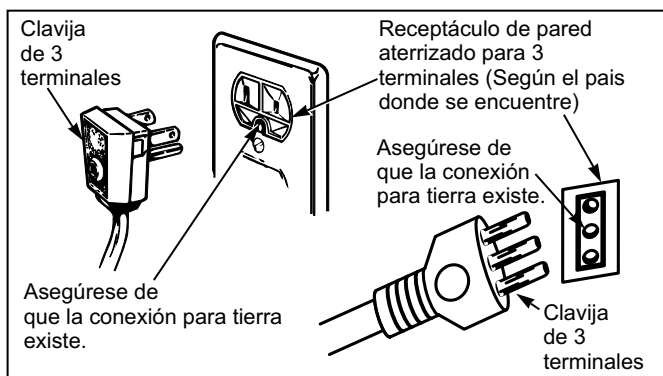
REQUERIMIENTOS DE CONEXIÓN A TIERRA

IMPORTANTE: Lea con atención lo siguiente.

PARA CONECTAR LA ELECTRICIDAD

⚠ ADVERTENCIA

Peligro de choque eléctrico
PARA SU SEGURIDAD PERSONAL, este aparato debe estar aterrizado apropiadamente. Haga revisar por personal experto sus contactos de pared para asegurarse de que el enchufe está conectado a tierra apropiadamente.



METODO RECOMENDADO PARA LA CONEXION A TIERRA

Su refrigerador debe estar siempre conectado a un circuito propio que esté conectado adecuadamente a tierra. La alimentación de energía debe ser únicamente de 127 V ~ 60 Hz, c.a. ó 115 V ~ 60 Hz, c.a. (de acuerdo al voltaje del país) y con fusibles de 15 ó 20 A. Esto brinda el mejor desempeño y previene de las sobrecargas de energías que pueden provocar un incendio debido al sobrecalentamiento de los cables.

Se recomienda que se utilice un circuito separado para este producto, así como un receptáculo que no pueda ser desconectado con un interruptor. No utilice cable de extensión.

Es su responsabilidad y obligación reemplazar aquellos receptáculos de 2 terminales por uno de 3 terminales conectado debidamente a tierra. Bajo ninguna circunstancia corte o arranque la tercera terminal (tierra) del enchufe.

NOTA: Antes de instalar, limpiar o cambiar los focos, apague el Control (del termostato, refrigerador o congelador, según su modelo) a la posición de OFF. Cuando haya terminado, vuelva a conectar el refrigerador y ajuste el control (de termostato, refrigerador o congelador, según su modelo) a la posición deseada.

UTILIZANDO CABLES DE EXTENSIÓN

No se recomienda el uso de cable de extensión. Sin embargo, si usted desea utilizar un cable de extensión, es absolutamente necesario que se tenga 3 terminales y que soporte una carga de energía de 15 A (mínimo) y 120 V, 220 V ó 115 V (de acuerdo al país donde se encuentre).

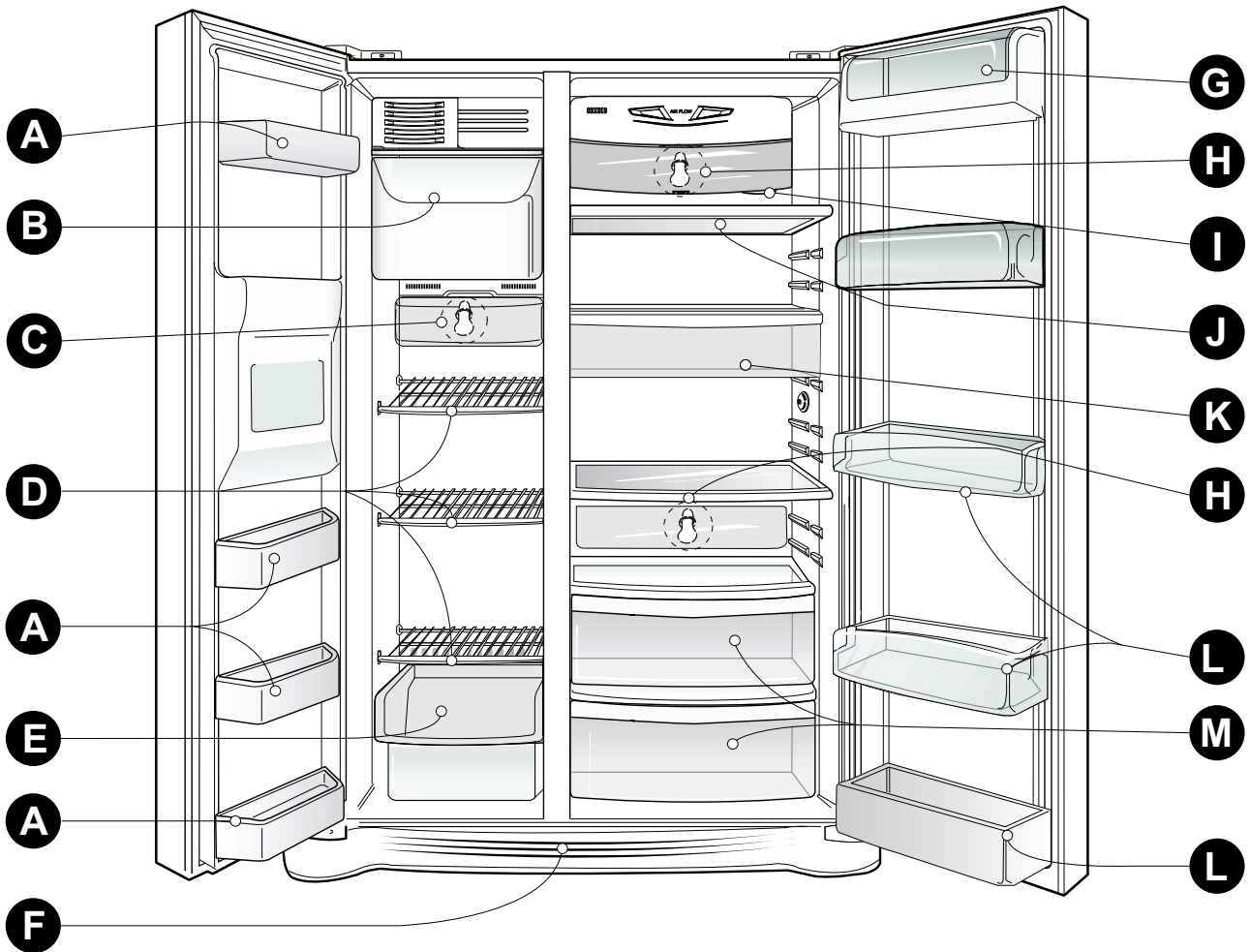
El uso de un cable de extensión aumenta el espacio que se necesita detrás del refrigerador.

⚠ ADVERTENCIA

REEMPLAZO DE CABLE DE CORRIENTE

Si el cordón de alimentación se daña, éste debe ser reemplazado por el fabricante, por nuestro centro de servicio o personal calificado por LG para evitar algún riesgo.

PARTES Y FUNCIONES



Utilice esta sección para familiarizarse con las puertas y funciones. Se incluyen las referencias de páginas para su conveniencia.

NOTA: Esta guía cubre varios modelos distintos. El refrigerador que se ha comprado puede contener algunos o todos los artículos mencionados abajo. La ubicación de las funciones presentadas puede que no sean iguales que su modelo.

- | | |
|--|--|
| A Anaqueles del Congelador | H Lámpara del Refrigerador |
| B Fábrica de Hielo Automático
El hielo es producido en la Fabrica de hielo y enviado al dispensador. | I Filtro de Agua* |
| C Lámpara del Congelador | J Estante del Refrigerador |
| D Estante del Congelador
(Alambre/Vidrio) | K Gaveta para Meriendas
"Charola para carnes frías"
Almacén de carne y comida fresca. |
| E Cajón
(Alambre/Plástico) | L Anaqueles del Refrigerador
(Transparente/Opaco) |
| F Cubierta inferior | M Compartimiento para Verduras |
| G Compartimiento para productos lácteos
Almacén de productos lácteos como mantequilla y queso. | |

* Algunos modelos

INSTALACIÓN DEL REFRIGERADOR

⚠ ADVERTENCIA

Peligro de Peso Excesivo

Mueva o instale el refrigerador entre dos o más personas.

No seguir estas instrucciones puede ocasionar una lesión en la espalda u otro tipo de lesiones.

DESEMPAQUE DEL REFRIGERADOR

Remueva la cinta adhesiva y cualquier etiqueta temporal de su refrigerador antes de usarlo. No quite ninguna etiqueta de advertencia ni tampoco la etiqueta del modelo y número de serie.

Para remover cualquier residuo de pega o cinta adhesiva, frote el área enérgicamente con su dedo. El adhesivo o la cinta adhesiva también se remueven fácilmente frotando un poco de jabón líquido para fregar con los dedos sobre la parte adhesiva. Limpie con agua tibia y seque.

No utilice instrumentos filosos, alcohol para fricciones, líquidos inflamables, o productos de limpieza abrasivos para eliminar los restos de pega o cinta adhesiva. Estos productos pueden dañar la superficie de su refrigerador. Para más información, vea la **Sección de Instrucciones Importantes de Seguridad**.

Los estantes del refrigerador están instalados en la posición de envío.

Por favor reinstale los estantes de acuerdo a sus necesidades de almacenamiento.

⚠ ADVERTENCIA

Cuando mueva su refrigerador:

Su refrigerador es muy pesado. Cuando mueva el Refrigerador para limpiarlo o darle servicio, proteja el piso. Al mover el refrigerador, siempre tire directamente hacia afuera. No mueva el refrigerador de lado a lado ni lo arrastre cuando lo trate de mover ya que podrá dañar el piso.

⚠ ADVERTENCIA



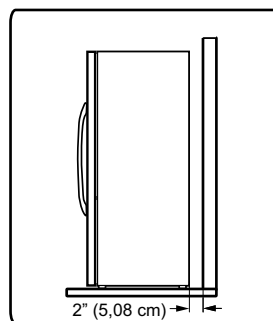
Peligro de Explosión

Mantenga los materiales y vapores inflamables, tales como gasolina, alejados del refrigerador.

No seguir estas instrucciones puede ocasionar la muerte, explosión, o incendio.

INSTALACIÓN

1. Evite colocar la unidad cerca de fuentes de calor, sol directo o humedad.
2. Para minimizar el ruido y la vibración, el refrigerador **TIENE** que estar instalado sobre un piso sólidamente construido.
3. No se recomiendan superficies con alfombras o de losas suaves.
4. **NUNCA** instale el refrigerador sobre una plataforma o una estructura con soporte débil.
5. Instale este producto en un área donde la temperatura este entre 41 °F (5 °C) y 110 °F (43 °C.) Si la temperatura alrededor del producto es muy baja o alta, la habilidad de enfriamiento del producto podrá verse afectada.

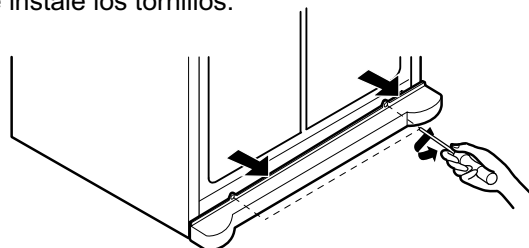


⚠ ADVERTENCIA

- Tenga cuidado cuando trabaje con bisagras, parrilla de base, tapones, etc. Puede lastimarse.
- No coloque las manos o varas de metal dentro de conductos de aire, parrilla de base o la parte de abajo del refrigerador. Podrá lastimarse o recibir un choque eléctrico.

INSTALACIÓN DE LA CUBIERTA INFERIOR

1. **Desinstalación de la cubierta inferior:**
 - a) Abra las puertas. (Refrigerador y Congelador).
 - b) Una vez que estén abiertas las puertas extraiga los tornillos que sujetan la cubierta.
2. **Instalación o reemplazo de la cubierta inferior:**
 - a) Coloque la cubierta inferior en su posición correcta e instale los tornillos.



INSTALACIÓN DEL REFRIGERADOR

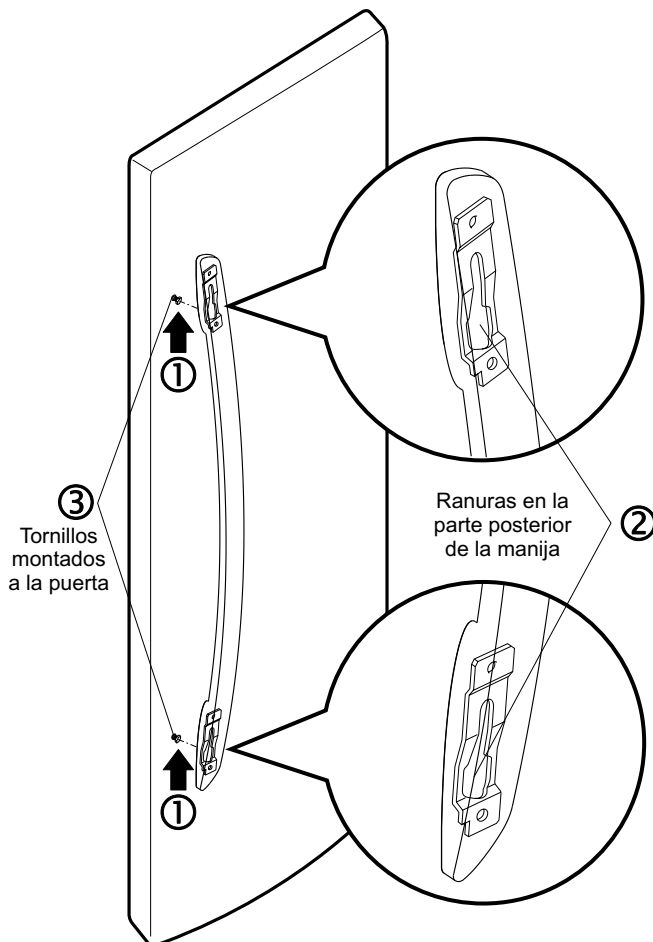
DESINSTALACION DE LA MANIJA (Identifique su tipo de manija)

NOTA: Es recomendable remover las puertas del refrigerador solo cuando sea necesario moverlo a través de un área estrecha. Es necesario, seguir las instrucciones para remover las manija de las puertas.

- Agarre la manija firmemente con ambas manos y hágala deslizar hacia arriba (1) (esto puede requerir bastante fuerza).
- Las ranuras (2) de la parte posterior de la manija permiten que esta se separe de los tornillos de montaje (3).

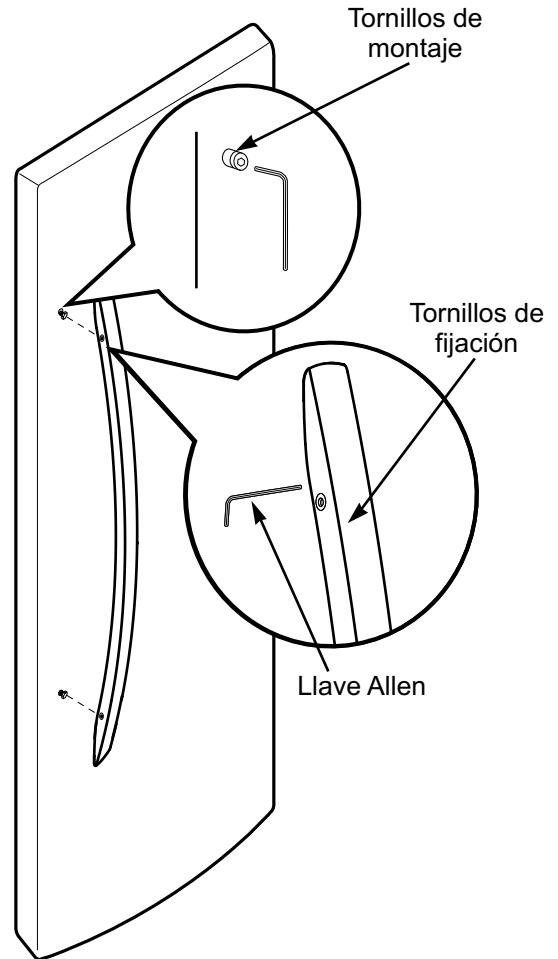
⚠ CUIDADO: Usted puede dañar o romper la manija si la golpea con un martillo al tratar de removerla o volver a colocarla.

⚠ CUIDADO: Cuando ensamble o desensamble la manija, Usted debe empujarla o jalarla con fuerza.



- Afloje los tornillos de fijación con llave Allen de 3/32" (2,38 mm) y retire la manija.

NOTA: Para ajustar o retirar los tornillos de montaje de la manija utilice una llave Allen de 1/4" (6,35 mm).



INSTALACIÓN DEL REFRIGERADOR

⚠ ADVERTENCIA

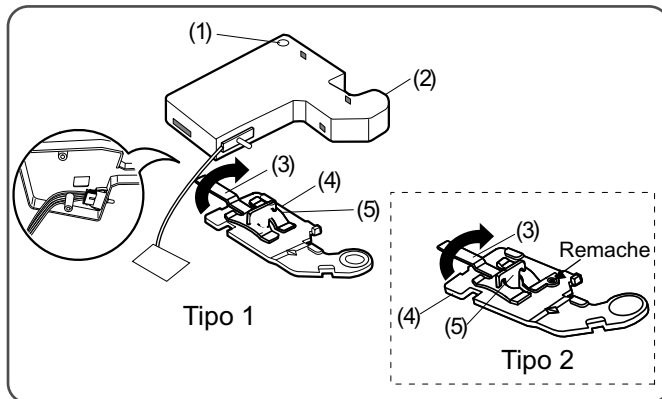
Peligro de descarga eléctrica

- Desconecte el suministro eléctrico al refrigerador antes de instalar. El no hacerlo puede dar como resultado una lesión seria o la muerte.
- No ponga las manos o los pies u otros objetos en las salidas de aire, la parrilla inferior, o debajo del refrigerador. Usted podría lesionarse o recibir un choque eléctrico.
- Tenga cuidado al trabajar con la bisagra, la parrilla inferior, y el tope. Podría lesionarse.

DESINSTALACION Y REEMPLAZO DE LAS PUERTAS DEL REFRIGERADOR

Antes de desinstalar las puertas, remueva la Cubierta Inferior. Para referencia vea la sección **INSTALACION DE LA CUBIERTA INFERIOR**.

Remueva la puerta derecha (Refrigerador):



1. Abra la puerta. Remueva el tornillo de la cubierta de la bisagra superior (1).
2. Utilice un destornillador de cabeza plana para hacer palanca y sacar los ganchos de la cubierta (no se muestran) del gabinete (2). Tire la cubierta hacia arriba.
3. Gire el ajustador de la bisagra (3) en dirección de las manecillas del reloj. Levante la bisagra superior (4) retire la palanca de la bisagra (5).

NOTA: Independientemente del tipo de ajustador de bisagra que tenga (3); tipo1: sin remache ó tipo 2: con remache el proceso de desensamble es el mismo.

4. Levante la puerta del perno de la bisagra inferior y retire la puerta.

5. Coloque la puerta con la parte exterior hacia arriba, sobre una superficie lisa para evitar rayarla.

⚠ **PRECAUCION:** Cuando levante y libere la bisagra, tenga cuidado de que la puerta no caiga hacia adelante.

Remueva la puerta izquierda (Congelador) con la línea de conexión de agua:

- Desconecte el tubo de alimentación de agua presionando el extremo del tubo (Figura 1) como muestra la figura de abajo.
- **NOTA:** Si el extremo del tubo está deformado o desgastado, corte la parte dañada. Desconecte el tubo que está bajo la Cubierta Inferior bajo las puertas. Drene 1,5 litros (0,3 galones) de agua. Coloque un recipiente grande al extremo del tubo para prevenir un derrame de agua.

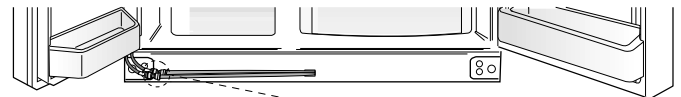
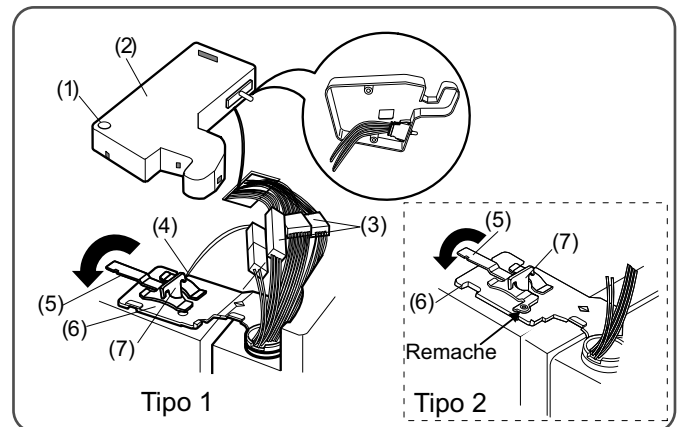
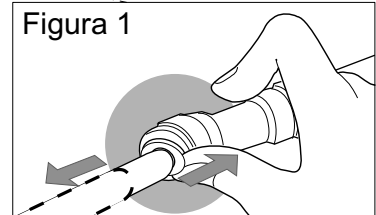


Figura 1



1. Abra la puerta. Remueva el tornillo de la cubierta de la bisagra superior.
2. Utilice un destornillador de cabeza plana para hacer palanca y sacar los ganchos de la cubierta (no se muestran) del gabinete (2). Tire la cubierta hacia arriba.
3. Desconecte todos los cables de conexión (3).
4. Remueva el tornillo de tierra (4).

INSTALACIÓN DEL REFRIGERADOR

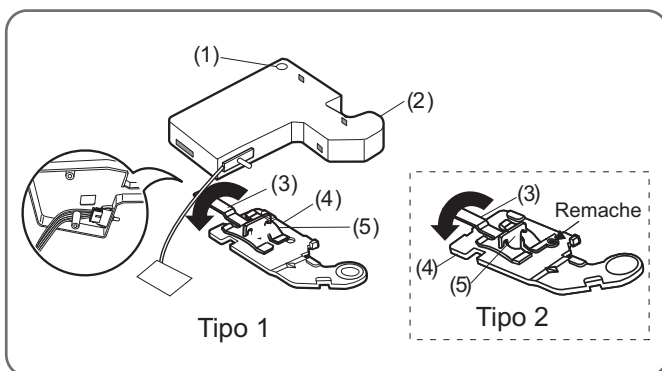
5. Gire el ajustador de la bisagra (5) en contra de las manecillas del reloj. Levante la bisagra superior (6) retire la palanca de la bisagra (7).

NOTA: Independientemente del tipo de ajustador de bisagra que tenga (5); tipo1: sin remache ó tipo 2: con remache el proceso de desensamble es el mismo.

⚠ PRECAUCION: Cuando levante y libere la bisagra, tenga cuidado de que la puerta no caiga hacia adelante.

6. Levante la puerta del perno de la bisagra inferior y retire la puerta.
7. Coloque la puerta con la parte exterior hacia arriba, sobre una superficie lisa para evitar rayarla.

Reinstale la puerta derecha (Refrigerador):

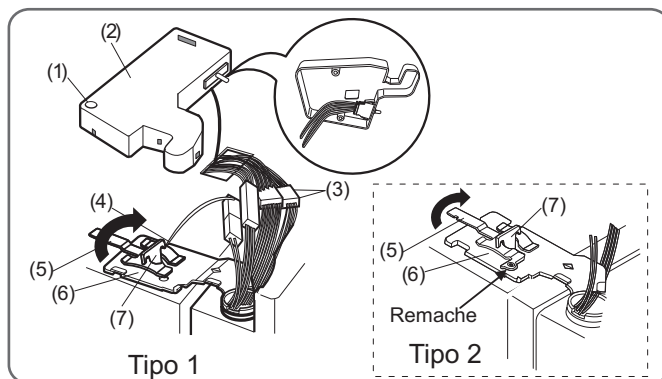


1. Coloque la puerta sobre el perno de la bisagra inferior.
2. Coloque la bisagra superior (4) sobre la palanca de la bisagra (5) en su lugar. Gire el ajustador (3) en contra de las manecillas del reloj para asegurar la bisagra.

NOTA: Independientemente del tipo de ajustador de bisagra que tenga (3); tipo1: sin remache ó tipo 2: con remache el proceso de desensamble es el mismo.

3. Coloque el gancho de la cubierta por la esquina del interruptor bajo las conexiones. Coloque la cubierta (2) en su lugar. Inserte y apriete el tornillo de la cubierta (1).

Reinstale la puerta izquierda (Congelador):



1. Pase el tubo de alimentación de agua a través del perno de la bisagra inferior y coloque la puerta sobre el perno de la bisagra inferior.
2. Coloque la bisagra superior (6) sobre la palanca de la bisagra (7) en su lugar. Gire el ajustador (5) a favor de las manecillas del reloj para asegurar la bisagra.

NOTA: Independientemente del tipo de ajustador de bisagra que tenga (5); tipo1: sin remache ó tipo 2: con remache el proceso de desensamble es el mismo.

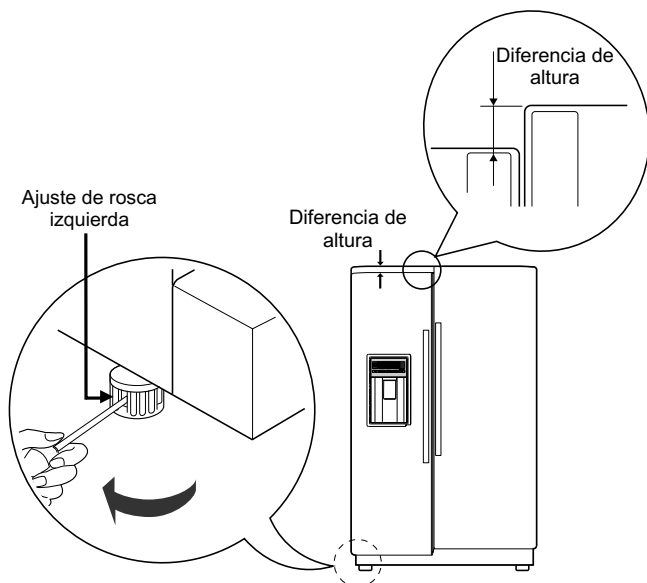
3. Instale el tornillo de tierra (4) y conecte todas las conexiones (3).
4. Coloque el gancho de la cubierta por la esquina del interruptor bajo las conexiones. Coloque la cubierta (2) en su lugar. Inserte y apriete el tornillo de la cubierta (1).
5. Vuelva a conectar el tubo de agua insertándolo dentro del conector.

INSTALACIÓN DEL REFRIGERADOR

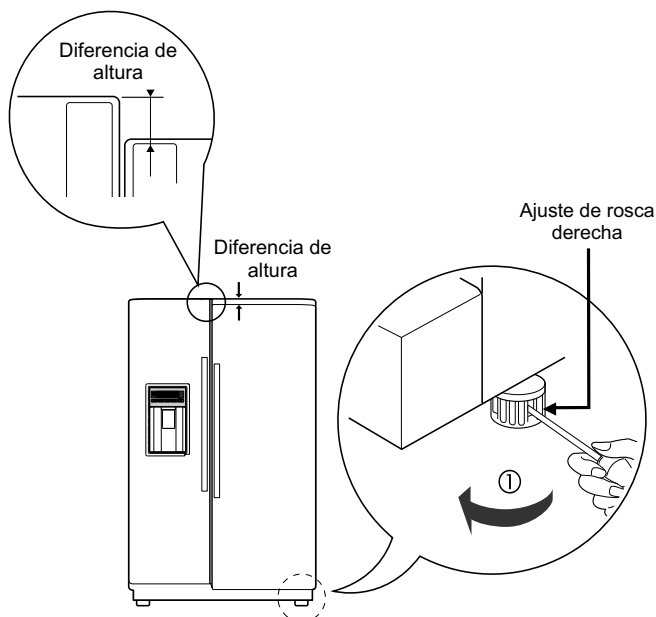
ALINEAMIENTO DE PUERTAS

Antes de ajustar las puertas, remueva la Cubierta Inferior. Para referencia vea la sección **INSTALACION DE LA CUBIERTA INFERIOR**.

Si la puerta del compartimento del congelador es inferior a la puerta del compartimento del refrigerador, nivele las puertas insertando un destornillador de cabeza plana en la ranura del tornillo de ajuste de altura izquierdo, y gírelo hacia la derecha.



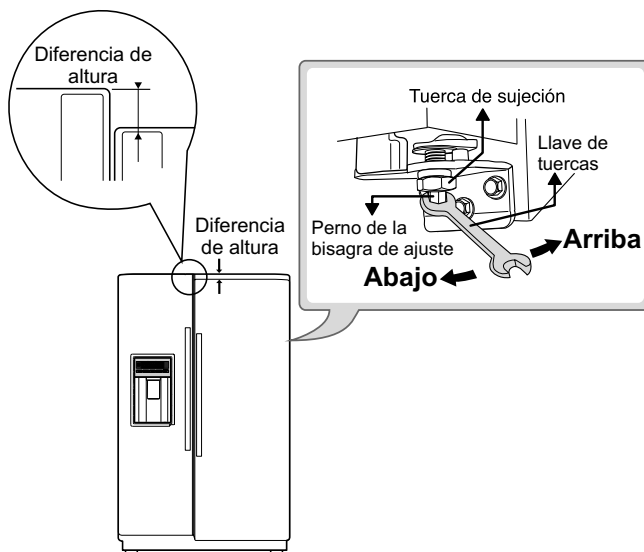
Si la puerta del compartimento del congelador es superior a la puerta del compartimento del refrigerador, nivele las puertas insertando un destornillador de cabeza plana en la ranura del tornillo de ajuste de altura derecha, y gírelo hacia la derecha.



Ajuste el nivel cuando la puerta del refrigerador este más abajo que la puerta del congelador durante la instalación del refrigerador.

Herramientas que necesitas

- Llave de tuercas de 5/16 in (8 mm).
- Llave de tuercas de 3/4 in (19 mm).



Use una llave de tuercas de 3/4" (19 mm), gire la tuerca de sujeción a la derecha para aflojarla.

Use una llave de tuercas de 5/16" (8 mm), gire el perno de la bisagra a la derecha o a la izquierda para nivelar la puerta del refrigerador y del congelador.

Una vez nivelada la puerta, gire la tuerca de sujeción hacia la izquierda para apretarla.

No apriete demasiado el tornillo de ajuste de la puerta. El perno de la bisagra puede barrerse. (El rango de ajuste de altura es de máximo 1/2" (1,27 cm)).

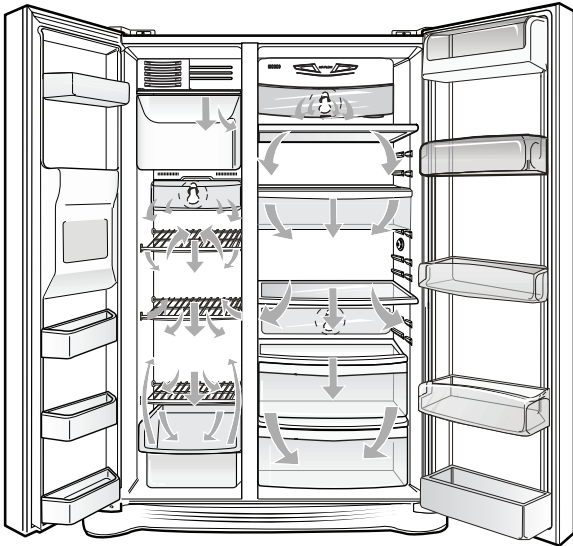
DESPUES DE AJUSTAR EL NIVEL DE LAS PUERTAS

Asegúrese de que las tuercas niveladoras del frente del refrigerador toquen completamente el piso.

USO DEL REFRIGERADOR

ASEGURANDO EL FLUJO DE AIRE ADECUADO

Para asegurar las temperaturas adecuadas, el aire debe fluir entre las secciones del refrigerador y congelador. Como se muestra en la ilustración de abajo, el aire frío entra por la sección del congelador y se mueve hacia arriba. La mayor parte del aire entonces fluye por los conductos y recircula bajo el piso del congelador. El resto del aire entra a la sección del refrigerador por el conducto superior.

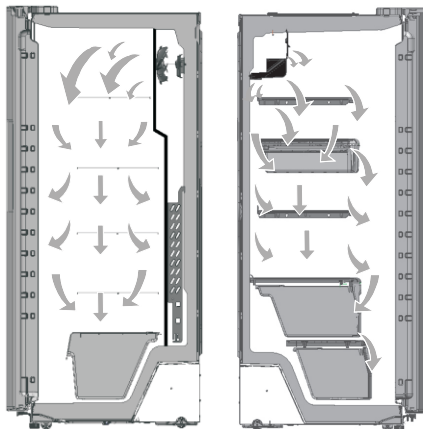


- **No bloquee ninguno de estos conductos con paquetes de alimentos.** Si los conductos están bloqueados, el flujo de aire será interrumpido y puede ocurrir problemas de temperatura y humedad.

IMPORTANTE:

Porque el aire circula entre ambas secciones, cualquier olor formado en una sección se transfiere a la otra. Usted debe limpiar completamente ambas secciones para eliminar olores. Para prevenir la transferencia de olores y que los alimentos se sequen, envuelva o cubra los alimentos completamente. (Vea la sección de Guía para Almacenar Alimentos para detalles).

NOTA: Si cierra la puerta del refrigerador fuertemente, la puerta del congelador puede abrirse y cerrarse a causa de la presión del flujo de aire.



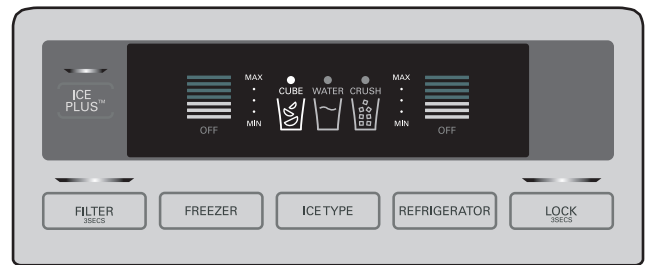
SIGUIENTE PASO

1. Limpie su refrigerador completamente y saque todo el polvo acumulado durante el envío.
2. Instale los accesorios como el recipiente para hielo, gavetas, estantes, etc. en los lugares correspondientes. Los mismos vienen empacados juntos para evitar que se dañen durante el envío.
3. Deje que su refrigerador corra al menos por 2 ó 3 horas antes de colocar alimentos. Verifique el flujo de aire frío en el compartimiento del congelador para asegurarse que esté enfriando. Su refrigerador ya está listo para usarse.

PANEL DE CONTROL (Identifique su tipo de Panel de control)

Precione el botón para ver la función deseada y seleccionar otras funciones.

Tipo 1



Tipo 2



Control de temperatura del Refrigerador y Congelador:

Se recomienda mantener las temperaturas con las que inicia el refrigerador (media) presionando el botón REFRIGERATOR (Refrigerador) y el botón FREEZER (Congelador).

NOTA: Cuando ajuste los controles de temperatura, espere 24 horas antes de hacer un nuevo ajuste. Después de 24 horas, ajústelos como desee. Entre más barras estén encendidas, más frío estarán el refrigerador y el congelador.



USO DEL REFRIGERADOR

Modo de apagado del Control de temperatura

El panel se ilumina y permanece encendida durante 60 segundos cuando el refrigerador se ha conectado. Después las luces del panel se apagarán a excepción de la opción que tenga seleccionada [CRUSH (hielo triturado), WATER (agua) ó CUBES (cubos de hielo)] y el panel solo enciende cuando se abre la puerta o se presiona algún botón. El panel se desactivará 20 segundos después que se cierre la puerta o se presione algún botón del panel. Puede cambiar el panel a modo ENCENDIDO presionando "FREEZER" (congelador) y "ICE PLUS" (congelado rápido) al mismo tiempo por 5 segundos. Se escuchará un tono indicando que el panel se encendió (el modo de apagado se desactiva). Active nuevamente el Modo de apagado del control de temperatura de la misma manera en que lo desactivo.

Aviso de puerta abierta

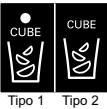
Cuando la puerta del refrigerador o del congelador se deje abierta por más de 60 segundos, sonará una alarma 5 veces a intervalos de 30 segundos si la puerta del refrigerador o del congelador permanece abierta por más de 60 segundos. Para avisarle que alguna de las puertas está abierta.

Contacte al centro de servicio local si el tono de alarma continua accionado después de haber cerrado las puertas.

ICE TYPE ("TIPO DE HIELO") (Identifique su tipo de Panel de control)

Usted puede seleccionar Agua o Hielo.

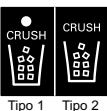
- Seleccione Agua, Hielo triturado o Cubos de hielo presionando el botón con la opción que usted decida. La luz de la opción Agua, Hielo triturado o Cubos de hielo encenderá según su elección.



Encenderá la opción de cubos de hielo presionando el botón de selección. Si usted tiene el tipo 1, el punto sobre el ícono se iluminará, pero si usted tiene el tipo 2, el ícono se iluminará.



Encenderá la opción para agua presionando el botón de selección. Si usted tiene el tipo 1, el punto sobre el ícono se iluminará, pero si usted tiene el tipo 2, el ícono se iluminará.



Encenderá la opción de hielo triturado presionando el botón de selección. Si usted tiene el tipo 1, el punto sobre el ícono se iluminará, pero si usted tiene el tipo 2, el ícono se iluminará.

Para dispensar agua o hielo, presione suavemente usando una tasa contra el botón del dispensador.

NOTA: Después de dispensar agua o hielo, mantenga su taza en el dispensador, para evitar que las últimas gotas caigan al suelo.

ICE PLUS ("CONGELACION RAPIDA")

Presione el botón ICE PLUS (congelación rápida) una vez para activar esta función. Este botón se iluminará cuando este activado. En la sección del congelador funcionará a la temperatura más baja durante 24 horas para aumentar la producción de hielo. Presione el botón de nuevo para cancelar esta función.

LOCK ("BLOQUEO")

El botón de bloqueo (Lock) bloquea el control de temperatura y las funciones del dispensador.

Presione el botón por 3 segundos o hasta que encienda su luz.

Para desactivar la función de bloqueo presione el botón por 3 segundos o hasta que se apague su luz.

FILTER ("FILTRO") (ciclo de sustitución de filtro)

- Esta es una luz indicadora de reemplazo para el cartucho del Filtro de agua en el dispensador.
- El filtro de agua usualmente necesita ser reemplazado una vez cada seis meses.
- La luz indicadora el Filtro parpadeará permitiéndole saber cuando es necesario reemplazarlo.
- Después de reemplazar el filtro presione el botón por 3 segundos para reiniciar la función y se apague la luz de estado de filtro.

AJUSTE DE LOS CONTROLES

De tiempo a su refrigerador de enfriar completamente antes de hacer ajustes. Es mejor esperar 24 horas antes de hacer algún cambio. Las configuraciones recomendadas en la sección de **PANEL DE CONTROL** deberán ser apropiadas para el uso normal de un refrigerador de casa. Los controles están ajustados correctamente cuando la leche o el jugo estén tan fríos como usted quiere o cuando el helado esté firme.

El control del refrigerador funciona como el termostato de toda la unidad (refrigerador y congelador). Mientras más alto el nivel de temperatura, más tiempo estará accionado el compresor para mantener la temperatura. El control del congelador ajusta el flujo de aire del congelador al refrigerador. Ajustando el control de congelador a una temperatura más baja mantendrá más aire frío para mantenerlo a la temperatura elegida.

Si necesita ajustar las temperaturas en el refrigerador o congelador, comience por ajustar el refrigerador. Entonces espere 24 horas antes de revisar la temperatura del congelador. Si está muy caliente o muy fría, entonces ajuste el control del congelador.

Utilice las configuraciones que aparecen en la tabla de abajo como guía. **Siempre recuerde esperar al menos 24 horas entre los ajustes.**

CONDICION / RAZON:	AJUSTE / RECOMENDACION:
<ul style="list-style-type: none"> ■ Sección del REFRIGERADOR muy caliente – Puerta abierta muy frecuente – Se ha añadido muchos alimentos – La temperatura en la habitación es muy caliente 	Coloque el control del REFRIGERADOR al próximo número más alto, espere 24 horas.
<ul style="list-style-type: none"> ■ Sección del CONGELADOR muy caliente /el hielo no se hace rápido – Puerta abierta muy frecuente – Se han añadido muchos alimentos – La temperatura en la habitación es muy fría (el compresor no hace suficientes ciclos) – Uso de mucho hielo – Conductos de aire bloqueados por artículos 	Coloque el control del CONGELADOR al próximo número más alto, espere 24 horas.
<ul style="list-style-type: none"> ■ Sección del REFRIGERADOR muy frío – Controles no ajustados correctamente para sus condiciones 	Coloque el control del REFRIGERADOR al próximo número más bajo, espere 24 horas.
<ul style="list-style-type: none"> ■ Sección del REFRIGERADOR muy frío – Controles no ajustados correctamente para sus condiciones 	Coloque el control del CONGELADOR al próximo número más bajo, espere 24 horas.

GUÍA PARA ALMACENAMIENTO ALIMENTOS

Envuelva o almacene alimentos en el refrigerador dentro de materiales herméticamente cerrados o a prueba de humedad, a menos que se indique lo contrario. Esto previene que los olores y el sabor de los alimentos se transfieran a través del refrigerador. Para productos con fechas de caducidad, revíselas para asegurarse que están frescos.

Artículos	Cómo mantenerlos...
Mantequilla o Margarina	▶ Mantenga mantequilla descubierta en un plato con tapa o en un compartimiento cerrado. Cuando almacene provisiones adicionales, envuélvalos en material para el congelador y congele.
Queso	▶ Almacénelo en su envoltura original hasta que lo use. Una vez que lo abra, vuelva a envolverlo con plástico o papel aluminio.
Leche	▶ Limpie el envase de leche. Para un mejor almacenamiento, colóquela en un estante del interior del refrigerador no en la puerta.
Huevos	▶ Almacene en el cartón original o en la Caja de Huevos (en algunos modelos) en uno de los estantes en el interior y no en la puerta.
Frutas	▶ Enjuague, deje secar y almacene en el refrigerador en bolsas plásticas o en el compartimiento de verduras. No enjuague ni envase las fresas o frambuesas hasta que las vaya a usar. Manténgalas en su envase original en el compartimiento para verduras o almacene en una bolsa cerrada de papel en uno de los estantes del refrigerador.
Vegetales con hojas	▶ Saque la envoltura de la tienda y recorte o saque áreas dañadas descoloridas. Enjuague en agua fría y cuele. Coloque en bolsas plásticas o en envases plásticos y guarde en el compartimiento para verduras.
Vegetales con cáscara (zanahorias, pimientos)	▶ Coloque en bolsas plásticas o envases plásticos y guarde en el compartimiento para verduras.
Pescado	▶ Utilice el pescado fresco y mariscos el mismo día de comprarlo.
Sobras	▶ Cubra las sobras con envoltura plástica o papel de aluminio. También puede usar envases plásticos con tapas que cierren completamente.

ALMACENAMIENTO DE ALIMENTOS CONGELADOS

NOTA: Para más información sobre como congelar alimentos o tiempos para almacenar alimentos, revise una guía para el congelador o un libro de cocina confiable.

Empaque

Congelar exitosamente depende del empaque correcto. Cierre y selle los paquetes para que no entre aire o humedad. Si entra, entonces podrá tener olor y sabor de alimentos transferidos a través del refrigerador y congelador y los alimentos en el empaque para el congelador podrán secarse.

Recomendaciones para empaque:

- Envases de plástico rígidos con "tapas ajustadas"
- Latas para congelar
- Papel con plástico
- Envoltura plástica impermeable
- Bolsa plástica con cierres específicamente para el congelador

Siga las instrucciones en el paquete o envase para el método adecuado de congelar.

No utilice

- Envolturas para pan
- Envases plásticos que no son de polietileno
- Envases sin tapas
- Papel de cera o envolturas enceradas para congelador
- Envolturas muy delgadas, semipermeables

⚠ ADVERTENCIA: No mantenga bebidas en latas o en envases plásticos en el congelador. Pueden romperse si se congelan.

Congelando

Su congelador no congelará rápidamente una gran cantidad de alimentos. No coloque más alimentos sin congelar de los que se pueden congelar en 24 horas más de 2 ó 3 lbs. (0,9 a 1,35 kg por metro cúbico) de comida por pie cúbico, (no espacio del congelador). Deje suficiente espacio para que el aire circule entre los paquetes. Tenga cuidado en dejar suficiente espacio al frente para que la puerta pueda cerrar completamente.

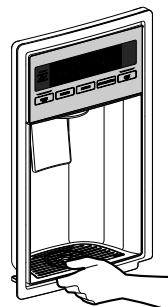
El tiempo para congelar varía de acuerdo a la calidad y tipo de alimento, el tipo de empaque o envoltura que tiene (sellado herméticamente y a prueba de humedad) y la temperatura de almacenaje. Cristales de hielo dentro de un paquete sellado son normales. Esto simplemente significa que la humedad en los alimentos y el aire dentro del paquete se ha condensado, creando cristales de hielo.

NOTA: Permita que los alimentos calientes se enfríen a temperatura ambiente por 30 minutos, para luego empacarlos y congelarlos. Enfriar alimentos calientes antes de congelarlos ahorra energía.

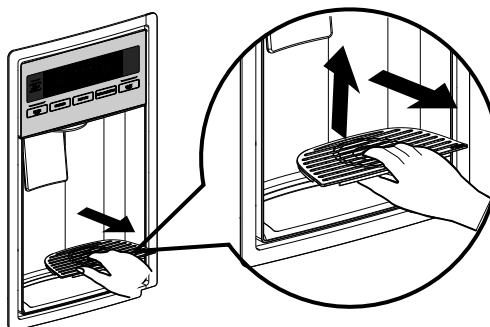
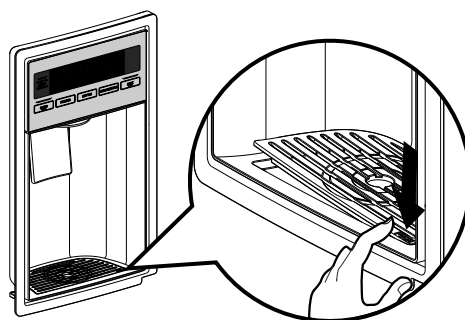
DISPENSADOR DE AGUA

Su refrigerador cuenta con un sistema que le permite tener agua fría y hielos sin necesidad de abrir la puerta del refrigerador.

- La bandeja se remueve fácilmente presionando y extrayéndola.

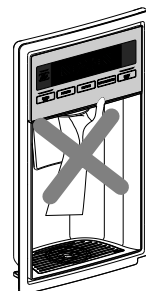


- Primero presione la bandeja por el área con la palabra 'PUSH', a continuación, coloque el dedo índice en la ranura del centro de la bandeja y jalela hacia arriba, por último saque la bandeja.



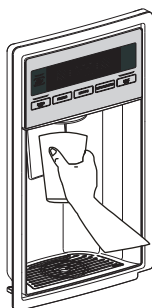
⚠ ADVERTENCIA

No introduzca sus manos por la abertura del dispensador de hielo y agua. Hacerlo puede causarle heridas en sus manos.



⚠ PRECAUCION

Cuando abra el compartimiento ligeramente, manténgase lo más cerca posible de la salida del agua o del dispensador de hielo.

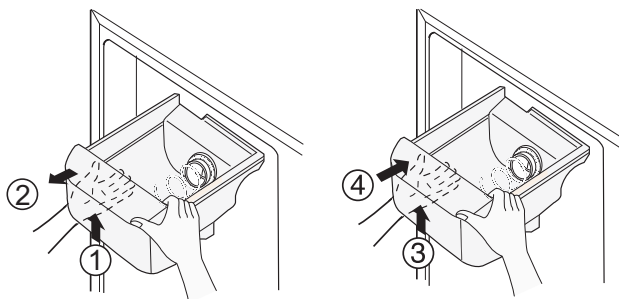


BANDEJA PARA HIELO

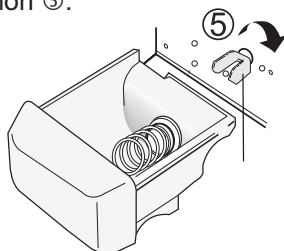
La bandeja para hielo almacena los cubos de hielo hechos por la fábrica de hielo. Si necesita remover la bandeja para hielo, favor de seguir los siguientes pasos:

NOTA: Use ambas manos para remover la bandeja de hielo y así evitar dejarla caer. Si no puede volver a colocarla fácilmente, tuerza levemente el dispositivo de impulsión.

- Sostenga la bandeja para hielo como se muestra en la figura ① y extraiga levantándola ligeramente ②.



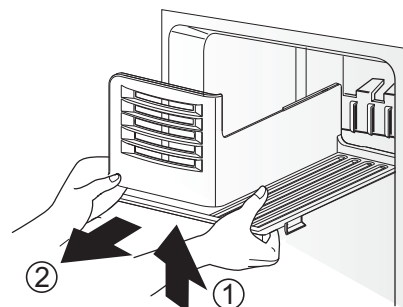
- Para volver a colocar la bandeja para hielo a su posición original, empújela ③ mientras la levanta ligeramente ④.
- Asegúrese de que este totalmente enganchado al dispositivo de impulsión ⑤.



CUBIERTA DE LA FABRICA DE HIELO

Si usted necesita tener acceso a la fábrica de hielo, siga los siguientes pasos:

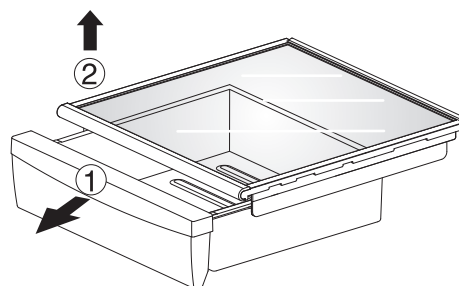
- Remueva la bandeja para hielo. Vea la sección **BANDEJA PARA HIELO** para referencia.
- Levante la bandeja para hielo ① y jale hacia afuera ② como se muestra en la figura.



GAVETA PARA MERIENDAS “CHAROLA PARA CARNES FRÍAS”

El aire que se introduce en el refrigerador, cuando la puerta está abierta, no afecta las carnes frías debido a la posición de esta charola, sin embargo no debe cambiarse de lugar para que pueda realizar su función.

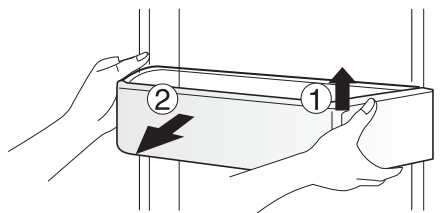
- Para remover la Gaveta de meriendas, saque un poco la gaveta para meriendas ①, después levante un poco la cubierta por la parte de enfrente, como se muestra en la figura ②, y retírela.



ANAQUELES DE LA PUERTA

Su refrigerador cuenta con anaqueles donde usted fácilmente puede organizar productos envasados.

- Levante el anaquel de la puerta sosteniéndolo de ambos lados ① y sáquelo ②.

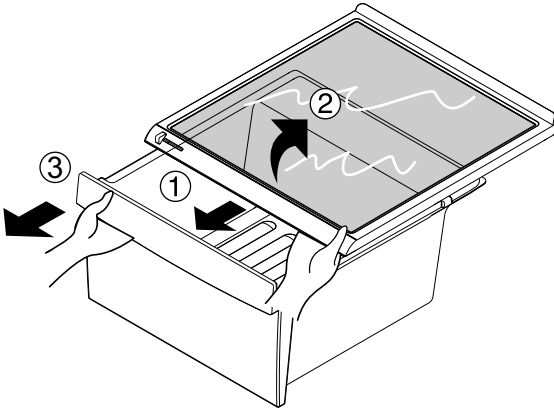


USO DEL REFRIGERADOR

COMPARTIMIENTO Y TAPA PARA VERDURAS

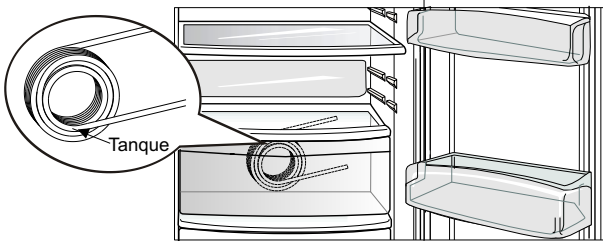
Este compartimiento permite una mejor conservación de las frutas y verduras.

- Para retirar la cubierta del compartimiento de verduras saque un poco el compartimiento para verduras ①, levante un poco la cubierta por la parte de enfrente como se muestra en la figura ②, y retírela ③.



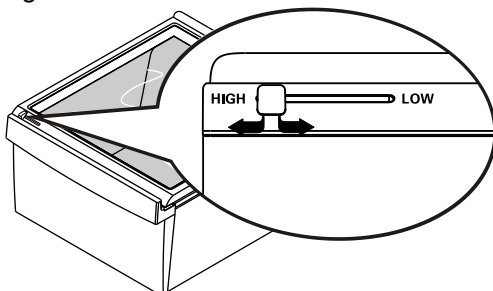
⚠ PRECAUCION

Cuando remueva el compartimiento para verduras Usted podrá ver el tanque para agua, no lo remueva, el hacerlo provocará una fuga de agua, (esta no es una parte removible).



Ud. puede controlar la cantidad de humedad en los cajones, ajustando el control en cualquier posición entre "HIGH" y "LOW".

- "HIGH": Permite que el aire salga del cajón de vegetales para la mejor conservación de frutas.
- "LOW": Mantiene la mayor cantidad de aire en el cajón para la mejor conservación de vegetales.



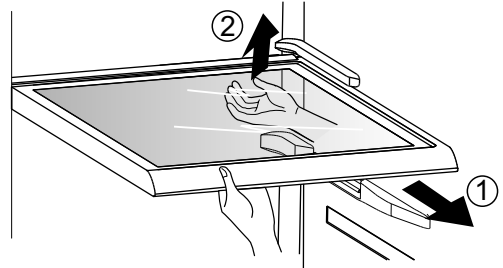
ESTANTES DEL REFRIGERADOR

⚠ PRECAUCION

Cerciórese de que el estante no contenga ningún alimento antes de moverlo.

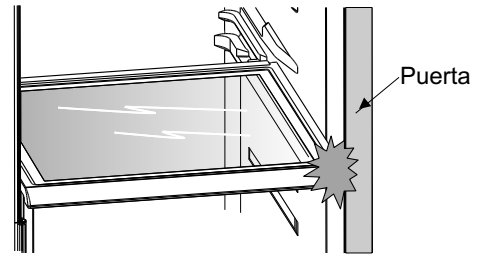
El estante del refrigerador es ajustable para que usted pueda colocarlo a una altura adecuada de acuerdo a las necesidades de espacio de los alimentos.

- Jale el estante hacia enfrente ①, luego levante de la parte de atrás ②.

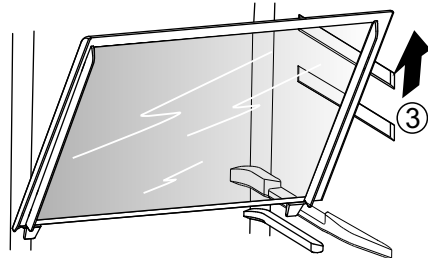


⚠ PRECAUCION

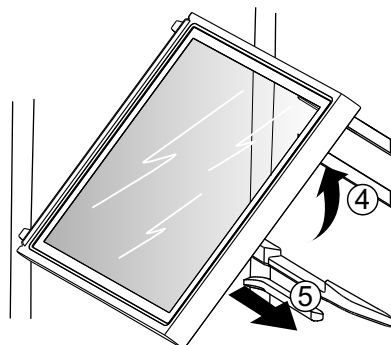
Tenga cuidado al sacar el estante, si ejerce demasiada fuerza, este puede chocar contra la puerta del refrigerador y dañarlo o usted podría lastimarse.



- Levante por la parte del frente en su totalidad ③.



- Por último, inclínalo ④ mientras lo extrae al mismo tiempo para retirarlo ⑤.

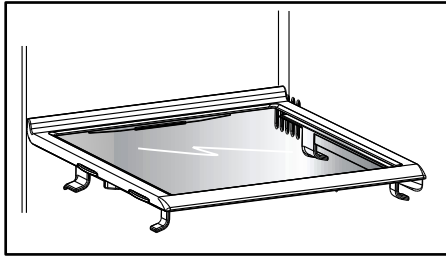


USO DEL REFRIGERADOR

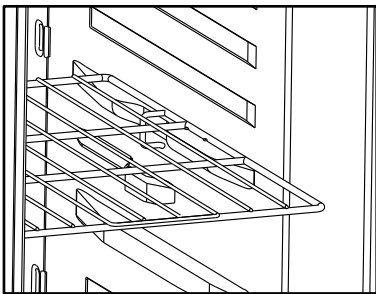
ESTANTE DEL CONGELADOR

(Identifique su tipo de estante)

Para ensamblar o desensamblar el estante del congelador, siga los siguientes pasos:



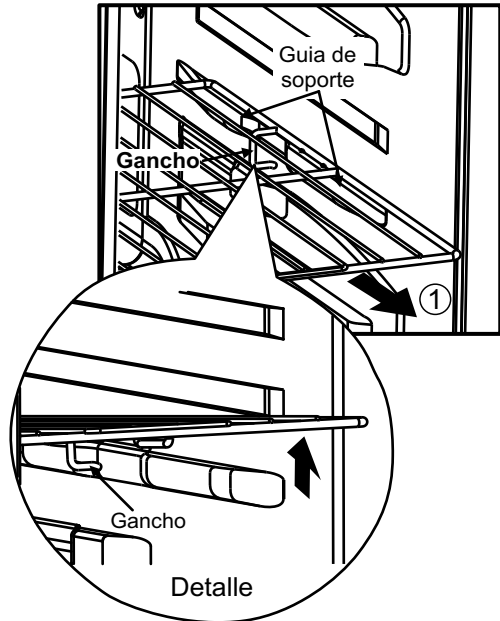
Estante de vidrio del congelador



Estante de alambre del congelador

► Estante de alambre del congelador

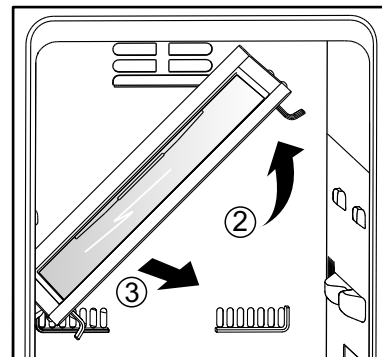
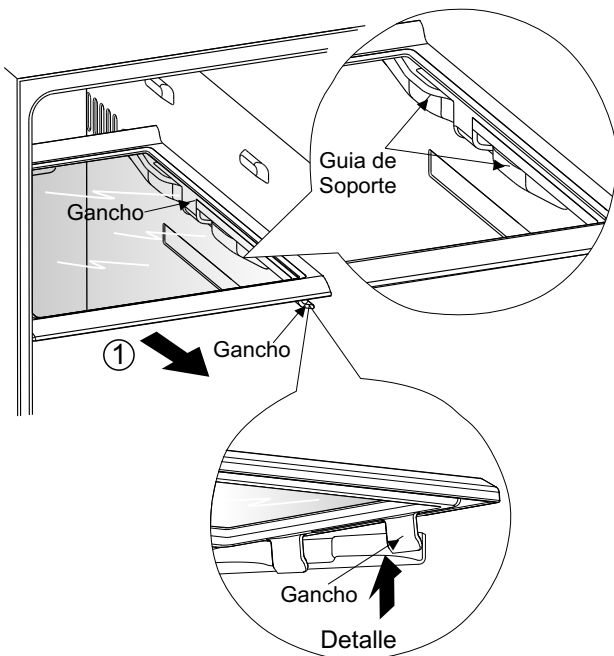
Jale el estante hacia usted ①. Usted sentirá que el estante se atora, esto quiere decir que el gancho del estante está en la parte plana de la guía que soporta la bandeja (Ver detalle).



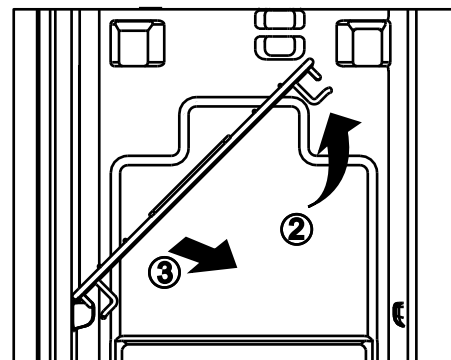
- Incline el estante (como se muestra en la figura) ② y vuelva a jalarlo hacia usted ③.

► Estante de vidrio del congelador

- Jale el estante hacia usted ①. Usted sentirá que el estante se atora, esto quiere decir que el segundo gancho del estante está en la parte plana de la guía que soporta la bandeja (Ver detalle).



Estante de vidrio del congelador



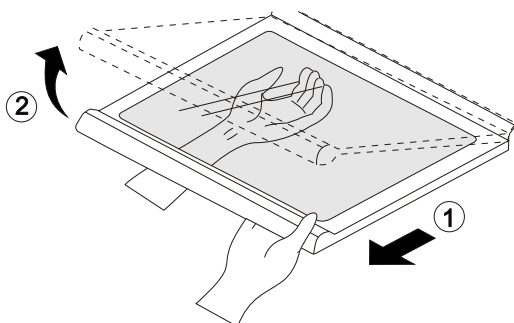
Estante de alambre del congelador

USO DEL REFRIGERADOR

FILTRO PARA AGUA

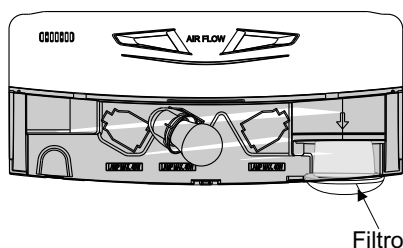
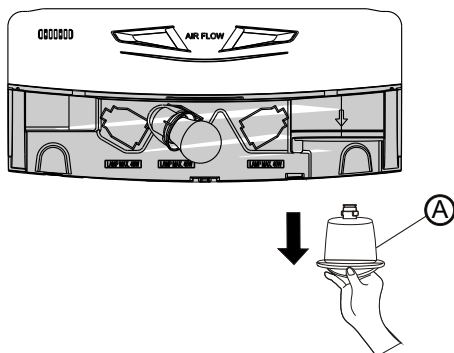
Antes de remover o instalar el filtro de agua:

1. Extraiga el estante superior y colóquelo en el nivel más bajo.
2. **IMPORTANTE:** Cierre el abastecimiento de agua de la casa.



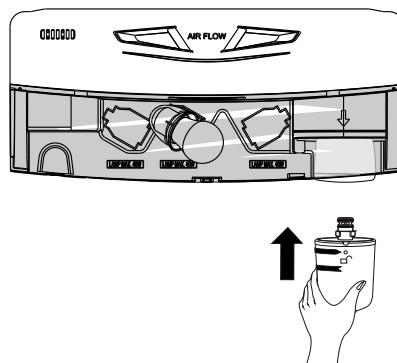
Removiendo el filtro de agua:

1. Para una instalación por primera vez, remueva el filtro (A) dándole vuelta en contra de las manecillas del reloj un cuarto de vuelta y sáquelo hacia abajo.
2. Para siguientes instalaciones remueva el viejo filtro dándole un cuarto de vuelta lentamente hacia la izquierda y jálelo hacia abajo.



Instalando el filtro de agua:

Remueva la tapa roja del filtro e inserte las dos costillas del filtro en las dos ranuras del receptáculo del filtro del refrigerador. Debe sentir que el filtro entra completamente. Gire el filtro hacia la derecha y un cuarto de vuelta a favor de las manecillas del reloj para fijarlo en su lugar. El símbolo de Bloqueado (Lock) va a estar alineado con la flecha indicadora.



Después de instalar el filtro de agua:

1. Coloque el estante a su posición original.
2. Abra nuevamente el suministro de agua de la casa.
3. Dispense 2,5 galones (9,46 L) de agua a través del dispensador para purgar el sistema, oprima y libere el botón del dispensador [30 segundos en función ON (encendido), 60 segundos en función OFF (apagado)]. Abra la puerta del refrigerador y revise el área de los estantes por posibles fugas de agua.

Para comprar o reemplazar el filtro de agua (algunos modelos no incluyen esta pieza en el refrigerador), llame al Centro de Servicio. Refiérase a la Póliza de Garantía para consultar el teléfono del Centro de Servicio más cercano a usted y pregunte por el número de parte ADQ72910901.

⚠ ADVERTENCIA



Peligro de Explosión

Use un limpiador no inflamable.

No seguir estas instrucciones puede ocasionar la muerte, explosión o incendio.

Tanto la sección del refrigerador como la del congelador se descongelan automáticamente. No obstante, limpie ambas secciones más o menos una vez al mes para evitar olores. Limpie los derrames de inmediato.

CONSEJOS GENERALES DE LIMPIEZA

- Desenchufe el refrigerador o desconecte el suministro de energía.
- Saque todas las partes desmontables como estantes, compartimientos de verduras, etc.
- Para limpiar estantes, compartimientos y otras partes desmontables, utilice una esponja limpia o un paño suave y un detergente suave en agua tibia. No use detergentes fuertes o abrasivos.
- Lave a mano, enjuague y seque todas las superficies completamente.
- Cuando termine de limpiar, no se olvide de enchufar el refrigerador o reconectar el suministro de energía.

EXTERIOR

Encerar superficies metálicas pintadas ayuda a proveer protección contra el moho. No encere partes plásticas. Encere superficies metálicas pintadas al menos dos veces por año utilizando cera para enseres (o pasta de cera para autos). Aplique la cera con un paño suave limpio.

No utilice cera en exteriores de acero inoxidable. Utilice un producto especialmente diseñado para pulir enseres de acero inoxidable, o limpie con un paño suave o esponja limpia y detergente suave disuelto en agua tibia. Seque completamente con un paño suave.

NOTA: Evite el contacto de la superficie de la puerta con productos químicos que contenga Fosfato y Cloro.

PAREDES INTERNAS (permítale que el congelador se caliente un poco para que no se pegue el paño)

Para ayudar a eliminar los olores, usted puede lavar el interior del refrigerador y congelador con una mezcla de bicarbonato de sodio y agua tibia. Mezcle-

-2 cucharadas de bicarbonato de sodio a 1 cuarto de agua (26 g de sodio a 1 litro de agua). Asegúrese que el bicarbonato de sodio se disuelva completamente para que no raye las superficies del refrigerador.

REVESTIMIENTOS DE LAS PUERTAS

No utilice limpiadores de ceras, detergentes concentrados, blanqueadores o limpiadores que contengan petróleo en partes plásticas. Utilice una esponja limpia o un paño suave con detergente suave en agua tibia. Lave, enjuague y seque todas las superficies completamente.

PARTES PLÁSTICAS (tapas y paneles)

No use toallas de papel, aerosoles para ventanas, productos de limpieza abrasivos o líquidos inflamables. Los mismos pueden rayar o dañar el material. Utilice una esponja limpia o un paño suave con detergente suave en agua tibia. Lave, enjuague y seque todas las superficies completamente.

TAPA POSTERIOR

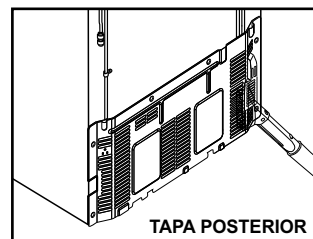
⚠ ADVERTENCIA

PELIGRO DE CHOQUE ELÉCTRICO

Antes de comenzar, desenchufe el refrigerador o desconecte la corriente de electricidad en el cortacorriente o caja de fusibles. No seguir estas instrucciones puede ocasionar la muerte o una lesión severa.

NOTA: La tapa posterior debe ser sacada por un técnico calificado.

Limpie los conductos en la parte posterior. Utilice una aspiradora con la parte del cepillo, al menos dos veces por año para mantener su refrigerador funcionando efectivamente.



CAMBIO DE LÁMPARAS

⚠ ADVERTENCIA

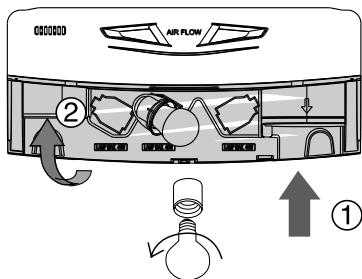
PELIGRO DE CHOQUE ELÉCTRICO

Antes de cambiar un foco de luz fundido, desenchufe el refrigerador o desconecte la corriente de electricidad en el cortacorriente o caja de fusibles.

NOTA: No todos los focos de luz servirán para su refrigerador. Asegúrese de cambiar el foco por uno del mismo tamaño, forma y vatios.

Para cambiar la lámpara del refrigerador y del congelador:

Remueva la cubierta presionando hacia arriba ① y gire hacia abajo ② gire la lámpara en contra de las manecillas del reloj. Reemplace con una lámpara de 40 watt (máximo).



INTERRUPCIONES DE ELECTRICIDAD

1. Si la electricidad se va por 24 horas o menos, mantenga las puertas del refrigerador cerradas para ayudar a mantener los alimentos fríos y congelados.
2. Si la electricidad se va por más de 24 horas:
 - a) Saque todos los alimentos congelados y guárdelos en un casillero para alimentos congelados.
 - O**
 - b) Coloque 2 lbs. (1 kg) de hielo seco en el congelador por cada pie cúbico (28 L) de espacio en el congelador. Este mantendrá los alimentos congelados de dos a cuatro días. Al manejar hielo seco, utilice guantes para proteger sus manos de congelación.

⚠ ADVERTENCIA

PELIGRO DE SOFOCACIÓN

Quando utilice hielo seco, procure tener ventilación adecuada. El hielo seco es dióxido de carbono congelado (CO₂). Cuando se evapora, puede desplazar el oxígeno causando mareos, dolores de cabeza leves, pérdida de conocimiento y muerte por sofocación. Abra una ventana y no respire los vapores.

- O**
- c) Si no tiene acceso a un casillero para alimentos o hielo seco, consuma o deseché los alimentos de inmediato.

RECUERDE: En una falla de electricidad, un congelador lleno se mantiene frío por más tiempo que uno parcialmente lleno. Un congelador lleno de carnes se mantiene frío por más tiempo que un congelador lleno de cosas horneadas. Si ve que los alimentos contienen cristales de hielo, puede que todavía sea seguro volverlos a congelar, aunque la calidad y el sabor pueden afectarse. Si la condición de los alimentos es pobre o si usted considera que no es seguro, deséchelo.

⚠ ADVERTENCIA

No vuelva a congelar la comida que se ha descongelado completamente.
 El Departamento de Agricultura en Casa de los Estados Unidos en su boletín No. 69 indica:
 ...Usted puede congelar nuevamente comida que se ha descongelado pero que todavía contiene cristales de hielo o si aún está a una temperatura por abajo de los 39 °F (4°C).
 ... Carne, pollo y pescado que contengan un olor o color desconfiable no deben volver a congelarse y no deben de consumirse.
 La nieve descongelada debe ser desechada. Si el olor o color de cualquier comida es cuestionable, tírela. El consumirla puede ser peligroso.
 Incluso el descongelamiento parcial o el volver a congelar reduce la calidad de la comida, particularmente frutas, vegetales y comidas preparadas.
 La calidad de la carne roja es afectada menos en comparación con otros alimentos. Use comidas congeladas lo más rápido posible para salvar la calidad que contienen.

CUANDO SE VAYA DE VACACIONES

Si decide dejar su refrigerador encendido mientras está de viaje, siga estos pasos para preparar su refrigerador antes de irse.

1. Utilice cualquier alimento perecedero y congele otros artículos.
2. Vacíe el recipiente de hielo.
3. Apague la fábrica (**OFF**) de hielo. **NOTA:** Si la temperatura ambiente bajará más del punto de congelación, haga que un técnico de servicio drene el sistema de reserva de agua (en algunos modelos) para prevenir serios daños a la propiedad debido a posible inundación por rupturas en las líneas de agua o conexiones.

Si decide apagar su refrigerador antes de irse, siga estos pasos.

1. Saque todos los alimentos del refrigerador y vacíe el recipiente de hielo.
2. Desconecte el refrigerador.
3. Limpie el refrigerador y séquelo bien.
4. Pegue goma o bloques de madera en la parte superior de ambas puertas para dejarlas lo suficientemente abiertas para que entre aire. Esto evita que se formen olores y moho.

CUANDO SE MUDE

Quando mude su refrigerador a un nuevo hogar, siga los siguientes pasos para prepararlo para la mudanza.

1. Saque todos los alimentos del refrigerador y empaque todos los alimentos congelados en hielo seco.
2. Desconecte el refrigerador.

CUIDADO Y LIMPIEZA

3. Limpie el refrigerador y séquelo bien.
4. Vacíe el agua de la bandeja de descongelar.
5. Limpie y seque completamente.
6. Saque todas las partes desmontables, envuélvalas bien y júntelas para que no se muevan durante la mudanza. Para referencia vea la sección **USO DEL REFRIGERADOR**.
7. Dependiendo del modelo, levante la parte frontal del refrigerador para que ruede más fácilmente ó atornille las patas niveladoras completamente para que no rayen el piso. Para referencia vea la sección **ALINEAMIENTO DE PUERTAS**.
8. Coloque cinta adhesiva en las puertas para cerrarlas y pegue el cable de electricidad al refrigerador.

Cuando llegue a su nuevo hogar, coloque todo de vuelta y haga referencia a la sección de **INSTALACION DEL REFRIGERADOR** para instrucciones.

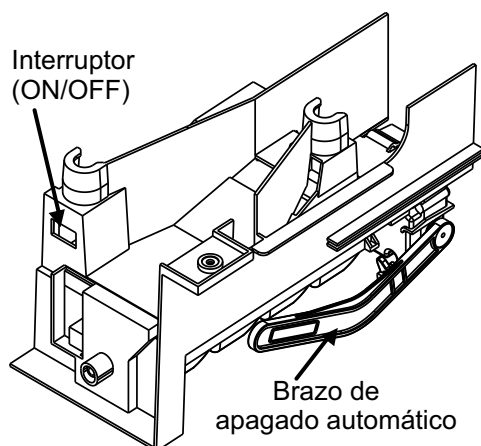
INSTRUCCIONES DE OPERACION

⚠ ADVERTENCIA

Peligro de lesión personal

Evite el contacto con las partes en movimiento del mecanismo expulsor o del elemento calentador que libera los cubos de hielo. NO coloque los dedos o las manos en el mecanismo automático de hacer hielo cuando el refrigerador esté conectado.

Un refrigerador recién instalado puede que tarde de 12 a 24 horas en hacer hielo.



La fábrica de hielo producirá 8 cubos por ciclo aproximadamente 70-80 cubos en un periodo de 24 horas, dependiendo de la temperatura del compartimiento del congelador, de la temperatura en la habitación, la cantidad de veces que se abra el refrigerador y otras condiciones de operación.

Si el refrigerador se utiliza antes de hacer la conexión de agua a la fábrica de hielo, coloque el interruptor de electricidad a **OFF (apagado)**.

Cuando el refrigerador se conecte al suministro de agua, cambie el interruptor de electricidad a **ON (encendido)**.

La fábrica de hielo comenzará a operar cuando baje la temperatura hasta el punto de congelación. Un refrigerador recién instalado puede que tarde de 12 a 24 horas en hacer hielo.

Elimine las primeras tandas de hielo para permitir que el agua corra limpia.

Asegúrese que nada interfiera con la extensión del Brazo de Apagado Automático.

Cuando se llene el recipiente al nivel del Brazo de Apagado Automático, la fábrica de hielo dejará de producir hielo.

Es normal que varios cubos se peguen.

Si no se utiliza el hielo frecuentemente, los cubos de hielo viejos se pondrán nebulosos, tendrán un mal sabor, y se encogerán.

CUANDO DEBE CAMBIAR A MODO APAGADO (OFF) A LA FÁBRICA DE HIELO

- Cuando vayan a cortar el suministro de agua por varias de horas.
- Cuando se saca el recipiente de hielo por más de uno o dos minutos.
- Cuando el refrigerador no se utilizara por varios días.

SONIDOS NORMALES QUE PUEDE ESCUCHAR

- La válvula de agua de la fábrica de hielo sonará cuando la maquina se esté llenando de agua. Si el interruptor de electricidad está en la posición de **ON (encendido)**, sonará aunque aún no esté conectado al agua. Para detener el ruido, mueva el interruptor de electricidad a la posición de **OFF (apagado)**.

NOTA: Mantener el interruptor de electricidad en la posición de **ON (encendido)** antes de tener la tubería de agua conectada puede dañar la fábrica de hielo.

- Escuchará el sonido de los hielos cuando caen en el recipiente y del agua cuando corre por las tuberías al momento que la fábrica de hielo se cargue de agua.

CONEXIÓN DE LA TUBERÍA DE AGUA

ANTES DE COMENZAR

La instalación de la tubería de agua no está garantizada por el fabricante del refrigerador o de la fábrica de hielos. Siga las instrucciones cuidadosamente para minimizar el riesgo de daños al producto.

El aire en la tubería de agua puede provocar martilleos en las conexiones, lo que puede causar daños a las tuberías internas del refrigerador o derramamiento de agua al interior del refrigerador. Llame a un plomero calificado para corregir los martilleos en las conexiones antes de instalar la tubería de agua.

Para evitar quemaduras y daños al producto, no conecte su refrigerador a las tuberías de agua caliente.

Si usa su refrigerador antes de conectar el suministro de agua, asegúrese de que la fábrica de hielo se encuentra en la posición **OFF (apagado)**.

No instale las tuberías de la fábrica de hielos en áreas en las cuales la temperatura ambiente se encuentre bajo el punto de congelación del agua.

Cuando utilice cualquier dispositivo eléctrico (como un taladro) durante la instalación, asegúrese de que el dispositivo esté doblemente aislado o conectado a tierra para prevenir el riesgo de choque eléctrico.

Todas las instalaciones deben ir acorde al código de requisitos de la fontanería local.

NOTA: Use protección para los ojos.

• **Si un sistema de filtración de agua de osmosis inversa** está conectado a su abastecimiento de agua fría. Esta instalación no suministra el agua necesaria al refrigerador o la fábrica de hielo. Siga la siguiente instrucción cuidadosamente para minimizar el riesgo de caros daños por agua.

• **Si un sistema de filtración de agua de ósmosis inversa** está conectado a su abastecimiento de agua fría, la presión de agua para el sistema de osmosis inversa debe ser un mínimo de 0,27 MPa a 0,41 MPa (40 a 60 PSI or 2,8 kg·f/cm² ~ 4,2 kg·f/cm², menos de 2 ~ 3 segundos para rellenar una taza de capacidad de 7 onzas [0,2 litros]).

Si la presión de agua del sistema de osmosis inversa es menos de 0,14 MPa (21 PSI or 1,5 kg·f/cm², más de 4 segundos para rellenar una taza de capacidad de 7 onzas [0,2 litros]).

- Revise si el filtro de sedimentos en el sistema de osmosis inversa está bloqueado. Reemplace el filtro si es necesario.
- Permitir que el tanque de almacenamiento del sistema de osmosis inversa se rellene después de un uso intenso.
- Si sigue teniendo el mismo problema de presión de agua de ósmosis inversa, llame a un fontanero con licencia, calificado.

QUÉ NECESITARÁ

- **Tubos de cobre**, de 1/4" (6,35 mm) de diámetro externo para conectar el refrigerador al suministro de agua. Asegúrese que ambos lados del tubo están cortados equitativamente.



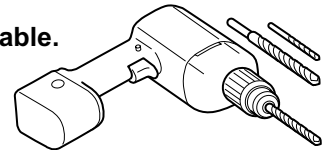
Para determinar la longitud de cuánta tubería va a necesitar: Mida la distancia desde la válvula de agua en la parte trasera del refrigerador hasta la tubería de agua. Agregue 8 pies (2,4 m). Asegúrese que haya suficiente tubería adicional [como 8 pies (2,4 m) enrollada en 3 espirales de 10" (25 cm) de diámetro] para permitir que el refrigerador se pueda mover fuera de la pared luego de la instalación.

- **Un suministro de agua fría.** La presión de agua debe estar entre 0,137 y 0,82 MPa (20 y 120 PSI ó 1,4 bar y 8,2 bar) en los modelos que no cuenten con filtro de agua y entre 0,275 y 0,82 MPa (40 y 120 PSI ó 2,8 bar y 8,2 bar) en los modelos que cuenten con filtro de agua.

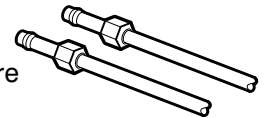
- **Taladro eléctrico.**

- **1/2" (12,7 mm) ó llave ajustable.**

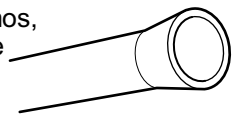
- **Destornillador de cabeza plana y destornilladores Phillips.**



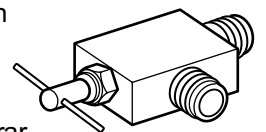
- **Dos tuercas de compresión 1/4" (6,35 mm) de diámetro externo y 2 férulas (mangas)** para conectar la tubería de cobre a la válvula de cierre y a la válvula de agua del refrigerador.



- Si su tubería de cobre actual cuenta con alguna reducción en los extremos, necesitará un adaptador (disponible en las ferreterías) para conectar la línea de agua al refrigerador. También puede cortar la reducción con un cortador de tubo y después utilizar las conexiones de compresión arriba mencionadas.



- **Cierre la válvula para conectar a la línea de agua fría.** La válvula debe tener una entrada de agua con un diámetro mínimo interior de 5/32" (3,96 mm) en el punto de conexión de el AGUA FRÍA. Estas válvulas se pueden encontrar en cualquier paquete de conexión de agua. Antes de comprar, asegúrese de que la válvula cumpla con los reglamentos locales.



CONEXIÓN DE LA TUBERÍA DE AGUA

INSTRUCCIONES DE INSTALACIÓN

Instale la válvula de cierre en la tubería más cercana utilizada para agua potable.

⚠ PRECAUCIÓN

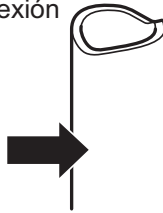
Conectar solamente al suministro de agua potable.

1. CIERRE EL SUMINISTRO DE AGUA PRINCIPAL

Abra el grifo de agua más cercano para aliviar la presión en la tubería.

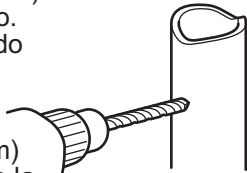
2. SELECCIONE LA UBICACIÓN DE LA VÁLVULA

Seleccione la ubicación para la válvula, que sea fácilmente accesible. Es recomendable conectar por el lado de una tubería vertical. Cuando sea necesario hacer una conexión a una tubería de agua horizontal, debe hacer la conexión desde la parte superior o el lado, en vez de la parte inferior, para evitar atraer sedimentos a la tubería de agua.



3. PERFORE UN ORIFICIO PARA LA VÁLVULA

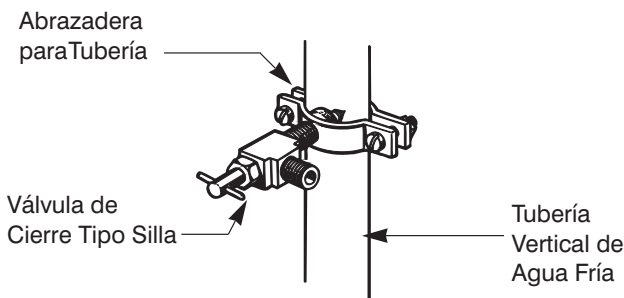
Perfore un orificio de 1/4" (6,35 mm) en la tubería de agua usando el taladro. elimine cualquier residuo resultado de taladrar en la tubería. Tenga cuidado de no dejar que caiga agua en el taladro. El no lograr hacer un orificio de 1/4" (6,35 mm) puede resultar en la reducción de la producción de hielos o de cubos más pequeños.



NOTA: La tubería no puede ser blanca ni plástica. Fontaneros con licencias deben usar solamente tubos de cobre #49595 ó 49599 ó tubos Cross Link Polyethylene (PEX).

4. AJUSTE LA VÁLVULA DE CIERRE

Ajuste la válvula de cierre a la tubería de agua fría con la abrazadera para tubería.

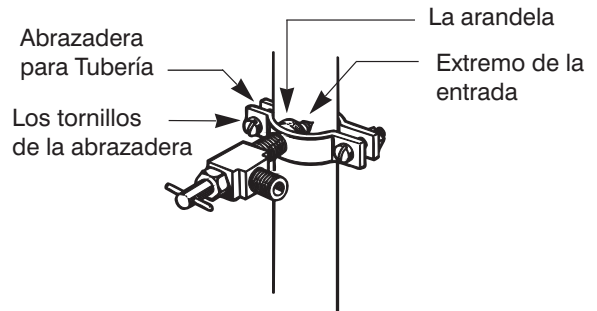


NOTA: Se adjudica el Código de Fontanería 248CMR del Estado de Massachusetts. Las Válvulas tipo silla son ilegales y no se permiten en Massachusetts. Consulte a su fontanero con licencia.

5. APRIETE LA ABRAZADERA PARA TUBERÍA

Apriete los tornillos de la abrazadera para tubería hasta que la arandela provea un cierre hermético.

NOTA: No apriete demasiado porque se puede quebrar la tubería.



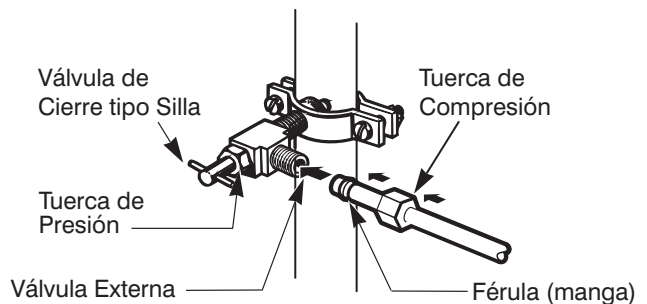
6. ABRA LA VÁLVULA DE PASO

Direccione la tubería entre la tubería de agua fría y el refrigerador. Cree una ruta a través de un orificio perforado en la pared o piso (detrás del refrigerador o el gabinete adyacente) tan cerca de la pared como sea posible.

NOTA: Asegúrese que haya suficiente tubería adicional [cerca de 8 pies (3048 mm) enrollado en 3 espirales de aproximadamente 10" (254 mm) de Diámetro] para permitir mover el refrigerador de la pared luego de la instalación.

7. CONECTANDO LA TUBERÍA A LA VÁLVULA

Coloque la tuerca de compresión y la férula (manga) para la tubería de cobre sobre la parte final del tubo y conéctelo a la válvula de cierre. Asegúrese de que el tubo se inserte completamente en la válvula. Atornille la tuerca de compresión firmemente.



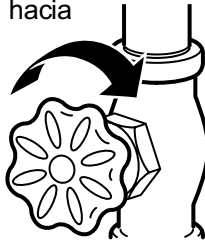
NOTA: Se adjudica el Código de Fontanería 248CMR del Estado de Massachusetts. Las Válvulas tipo silla son ilegales y no se permiten en Massachusetts. Consulte a su fontanero con licencia.

CONEXIÓN DE LA TUBERÍA DE AGUA

8. ENJUAGANDO LA TUBERÍA

Gire el suministro principal de agua hacia la derecha y drene la tubería hasta que el agua esté clara.

Cierre el paso de agua con la válvula hasta que $\frac{1}{4}$ de galón de agua (1 Litro) haya sido drenada a través de la tubería.

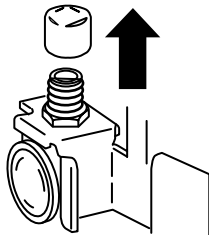


9. CONECTE LA TUBERÍA AL REFRIGERADOR

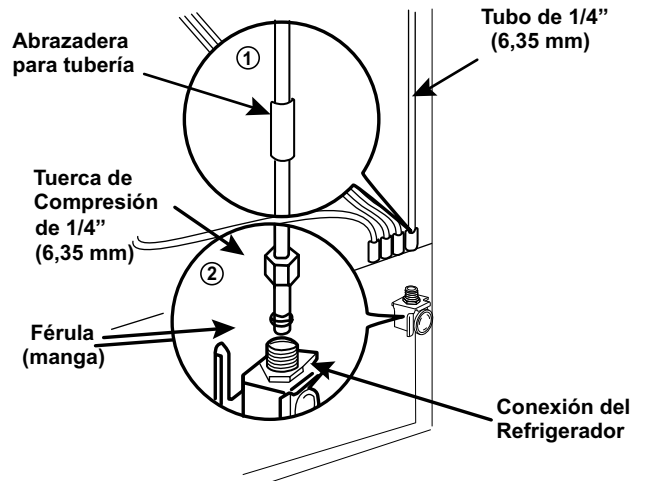
NOTA:

- Antes de realizar la conexión al refrigerador, asegúrese de que el cable de electricidad del refrigerador no esté conectado al receptáculo en la pared.
- Si su refrigerador no tiene un filtro de agua, le recomendamos que instale uno si su suministro de agua contiene arena o partículas que puedan tapan la capa de la válvula de agua del refrigerador. Instale el filtro en la tubería de agua cerca del refrigerador.
- No deben utilizarse mangueras usadas, solo utilice las mangueras nuevas suministradas por el fabricante.

1. Saque la tapa plástica flexible de la válvula de agua.
2. Coloque la tuerca de compresión y la férula (manga) al final del tubo como se muestra en la ilustración.
3. Inserte la parte final del tubo de cobre en la conexión lo más que pueda. Mientras sujeta el tubo, ajuste la unión.



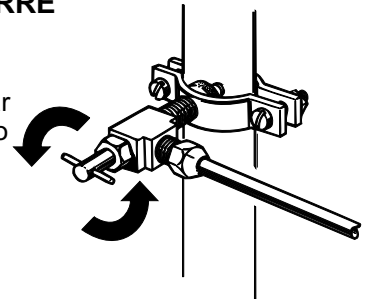
⚠ PRECAUCIÓN: Revise que no ocurran fugas en la conexión de la tubería de agua.



Sujete la tubería en la abrazadera de la tubería ubicada en la parte posterior del refrigerador. Primero, afloje los tornillos de la abrazadera. Después, inserte la tubería en el surco. Finalmente, re-ajuste el tornillo.

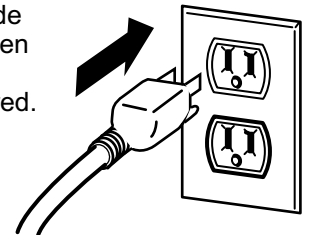
10. ABRA LA LLAVE DE AGUA EN LA VÁLVULA DE CIERRE

Ajuste cualquier conexión que tenga fuga. Vuelva a colocar la tapa para el acceso al compartimiento del compresor.



11. CONECTE EL REFRIGERADOR

Acomode los espirales de tubería para que no vibren con la parte de atrás del refrigerador o con la pared. Empuje el refrigerador hacia la pared.



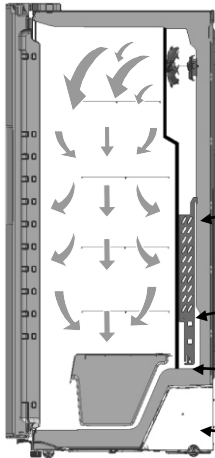
12. COMIENCE A USAR LA FÁBRICA DE HIELO

Coloque el interruptor de electricidad de la fábrica de hielo en la posición de **ON (encendido)**. La fábrica de hielo no comenzará a operar hasta que alcance su temperatura operacional de 15 °F (-9 °C) o menos. En ese momento comenzará a operar automáticamente si el interruptor de electricidad está en la posición de **ON (encendido)**.

GUÍA DE SOLUCIÓN DE PROBLEMAS

ENTENDIENDO LOS SONIDOS QUE ESCUCHA

Su nuevo refrigerador puede que haga sonidos que su viejo refrigerador no hacía. Porque los sonidos son nuevos para usted, puede que se preocupe. La mayoría de estos nuevos sonidos son normales. Superficies sólidas, como el piso, las paredes y los gabinetes pueden acrecentar los sonidos. Lo siguiente describe los tipos de sonido y qué los crea.



- El cronómetro de descongelación suena cuando el ciclo automático de descongelación comienza y termina. El control del termostato (o control del refrigerador, dependiendo el modelo) también sonará cuando el ciclo comience y termine.
- Sonidos ruidosos puede venir del flujo del refrigerante, de la tubería de agua o de artículos almacenados encima del refrigerador.
- Su refrigerador está diseñado para que funcione efectivamente para mantener sus alimentos en la temperatura deseada. El compresor de alta eficiencia puede causar que su refrigerador corra por más tiempo que su antiguo refrigerador, pero utilizará menos energía. Puede que escuche un sonido pulsante o rechinido.
- Puede que escuche el motor del abanico evaporador circulando el aire entre los compartimientos del refrigerador y congelador.
- Cuando cada ciclo termina, puede que escuche un sonido de agua corriente debido al flujo del refrigerante en su refrigerador.
- La contracción y expansión de las paredes internas puede que cause un ruido como de estallido.
- El goteo de agua en el calentador de descongelación durante el ciclo de descongelación puede causar un sonido como de algo friendo.
- Puede que escuche el aire siendo forzado por el condensador por el abanico de condensación.
- Puede que escuche agua corriendo por el recipiente de desagüe durante el ciclo de descongelación.

REFRIGERADOR NO FUNCIONA

Revise si...

Entonces...

El cable de electricidad está desconectado.	Firmemente conecte el cable en un receptáculo con el voltaje adecuado.
Un fusible del hogar se ha fundido o el cortacircuitos se disparó.	Cambie el fusible o reajuste el cortacircuito.
El control del refrigerador esta en opción de OFF (apagado) .	Referirse a la sección PANEL DE CONTROL .
El refrigerador está en el ciclo de descongelación.	Espere como 30 minutos para que el ciclo de descongelación termine.

SONIDOS DE VIBRACIÓN O RUIDOS

Revise si...

Entonces...

El refrigerador no está firmemente en el suelo.	El piso es débil o desnivelado o necesita ajustar las patas niveladoras. Referirse a la sección de ALINEAMIENTO DE PUERTAS .
---	---

GUÍA DE SOLUCIÓN DE PROBLEMAS

LAS LÁMPARAS NO FUNCIONAN

Revise si...	Entonces...
El cable de electricidad está desconectado.	Firmemente conecte el cable en un receptáculo con el voltaje adecuado.
El foco de luz está suelto.	Desconecte el refrigerador o corte la corriente de electricidad en el cortacircuito o la caja de fusibles. Cuidadosamente quite la lámpara y vuélvalo a poner. Luego conecte el refrigerador y reajuste los controles del refrigerador.
El foco de luz se ha fundido.	Desconecte el refrigerador o corte la corriente de electricidad en el cortacircuito o la caja de fusibles. Cambie la lámpara. (Referirse a la sección CAMBIO DE LAMPARA). Seleccione la posición de OFF (Apagado) en el control de temperatura y desconecte el refrigerador para reemplazar la lámpara.

EL MOTOR DEL COMPRESOR PARECE QUE FUNCIONA EXCESIVAMENTE

Revise si...	Entonces...
El refrigerador que se cambió era un modelo más viejo.	Refrigeradores modernos con más espacio para almacenaje requieren más tiempo operacional.
La temperatura en la habitación es más caliente que lo normal.	El motor correrá por más tiempo en condiciones cálidas. A temperaturas normales de la habitación, espere que el motor corra aproximadamente de 40% a 80% del tiempo. Bajo condiciones más cálidas, espere que corra aún más seguido.
La puerta se abre frecuentemente o se ha añadido una gran cantidad de alimentos.	Añadir alimentos y abrir la puerta del refrigerador, calienta el refrigerador. Es normal que el refrigerador funcione por más tiempo para poder enfriar. Referirse a la sección GUÍA PARA ALMACENAR ALIMENTOS , para conservar la energía, trate de sacar del refrigerador todo lo que necesita de una sola vez mantenga los alimentos organizados para que sea fácil encontrarlos y cierre la puerta una vez que haya terminado.
El refrigerador se conectó recientemente y se ajustó correctamente el control del refrigerador.	El refrigerador tarda hasta 24 horas para enfriarse completamente.
El control del refrigerador no se fija correctamente para las condiciones circundantes	Vea la sección AJUSTE DE LOS CONTROLES .
Las puertas no cierran completamente.	Cierre las puertas firmemente. Si no cierran correctamente vea la sección “Las Puertas no cierran correctamente” .
Las bobinas del condensador están sucias.	Esto previene la transferencia de aire y hace que el motor trabaje fuertemente. Limpie las bobinas del condensador. Vea la sección CUIDADO Y LIMPIEZA .

GUÍA DE SOLUCIÓN DE PROBLEMAS

LAS PUERTAS NO CIERRAN COMPLETAMENTE

Revise si...	Entonces...
El refrigerador no está nivelado.	Vea la sección INSTALACIÓN DEL REFRIGERADOR y ALINEAMIENTO DE PUERTAS .
Paquetes de alimentos están bloqueando la puerta.	Reorganice los envases de comida para limpiar un poco la puerta y los anaqueles de la puerta.
El recipiente de hielo, la tapa del compartimiento de verduras, estantes, anaqueles de las puertas están fuera de posición.	Empuje los recipientes hasta el fondo y coloque la tapa del compartimiento de verduras y estantes en su posición correcta. Vea la sección de USO DEL REFRIGERADOR .
Los empaques de las puertas están sucias.	Limpie los empaques de las puertas y la superficie que tocan pase una capa fina de cera de parafina en los empaques luego de limpiarlas.
El refrigerador se tambalea o parece inestable.	Nivele el refrigerador. Use de referencia la sección de ALINEAMIENTO DE PUERTAS .
Las puertas se sacaron durante la instalación del producto y no se colocaron correctamente de vuelta.	Saque y vuelva a colocar las puertas de acuerdo a la sección de DESINSTALACION Y REEMPLAZO DE LAS PUERTAS DEL REFRIGERADOR o llame a un técnico calificado de servicio.

LA FÁBRICA DE HIELO NO LO PRODUCE O LOS CUBOS DE HIELO SE FABRICAN LENTAMENTE

Revise si...	Entonces...
La temperatura del congelador está lo suficientemente fría para producir hielo.	Espere 24 horas luego de instalar la maquina, para la producción de hielo. Vea la sección de PANEL DE CONTROL .
La puerta se quedó abierta.	Verifique si algo mantiene la puerta abierta.

LOS CUBOS DE HIELO SON MUY PEQUEÑOS

Revise si...	Entonces...
La válvula de cierre conectada desde el refrigerador a la tubería de agua puede que este tapada.	Llame a un fontanero para que limpie la válvula.

SE DIFICULTA ABRIR LAS PUERTAS

Revise si...	Entonces...
Los empaques están sucias o pegajosas.	Limpie los empaques de la puerta y las superficies que ha tocado. Pase una capa fina de cera de parafina en los empaques luego de limpiarlos.
La puerta fue abierta nuevamente después de haber estado abierta recientemente.	Cuando usted abre la puerta, entra aire caliente al refrigerador. Mientras el aire caliente se enfría crea un vacío. Si se torna difícil de abrir la puerta espere 5 minutos y permita que la presión de aire se equilibre y vea si abre más fácilmente.

GUÍA DE SOLUCIÓN DE PROBLEMAS

LA FÁBRICA DE HIELO NO FUNCIONA

Revise si...

Entonces...

El interruptor de la fábrica está en la posición OFF (apagado) .	Mueva el interruptor a la posición de ON (encendido) .
El suministro de agua está apagado o no está conectado.	Vea la sección de CONEXIÓN DE LA TUBERÍA DE AGUA .
El compartimiento del congelador está muy caliente.	Espere 24 horas para que el congelador alcance la temperatura ideal.
Hielo acumulado en el recipiente de hielo hace que la fábrica de hielo se apague.	Nivele los cubos de hielo con la mano.

TEMPERATURA MUY CALIENTE O ACUMULACIÓN DE HUMEDAD EN EL INTERIOR

Revise si...

Entonces...

Los conductos de aire están bloqueados. El aire frío fluye desde el congelador a la sección de alimentos frescos y de vuelta a través de los conductos de aire en la pared que divide las dos secciones.	Localice los conductos de aire con su mano para sentir el flujo de aire y mueva los paquetes que bloquean los conductos e impiden el flujo de aire. Haga referencia a la sección de ASEGURANDO EL FLUJO DE AIRE .
Las puertas se abren con frecuencia.	Cuando la puerta se abre, entra aire húmedo y caliente al refrigerador. Mientras más se abre la puerta, más rápido se acumula la humedad y es más la cantidad de aire caliente que el refrigerador tiene que enfriar. Para mantener el refrigerador frío, trate de sacar todo lo que necesita del refrigerador de una sola vez; también mantenga los alimentos organizados para que sea fácil encontrarlos y cierre la puerta una vez haya terminado.
El control no está ajustado correctamente tomando en cuenta las condiciones del entorno.	Haga referencia a la sección de PANEL DE CONTROL . Espere 24 horas para que las temperaturas se estabilicen. Si la temperatura está muy fría o muy caliente, mueva el disco un número a la vez.
Gran cantidad de alimentos se ha puesto en el refrigerador o congelador.	Añadir alimentos calienta el refrigerador. Puede tardar varias horas en lo que el refrigerador regresa a su temperatura normal.
Los alimentos no están envueltos correctamente.	Envuelva los alimentos herméticamente y limpie envases húmedos antes de colocarlos en el refrigerador para evitar la acumulación de humedad. Si es necesario, vuelva a empacar los alimentos según los consejos en la sección de GUÍA PARA ALMACENAR ALIMENTOS .
Las puertas no cierran completamente.	Vea la parte de “Las puertas no cierran completamente” .
El clima está húmedo.	En climas húmedos, el aire carga partículas de humedad que entran al refrigerador cuando las puertas están abiertas.
Un ciclo de descongelación automática ha terminado.	Es normal que se formen gotas de agua en la pared del fondo después de que el refrigerador ha pasado por el ciclo de descongelación.

GUÍA DE SOLUCIÓN DE PROBLEMAS

ESCARCHA O CRISTALES DE HIELO EN LOS ALIMENTOS CONGELADOS

Revise si...	Entonces...
La puerta no está cerrando adecuadamente.	Vea la sección " Las puertas no cierran completamente ".
La puerta está abierta frecuentemente.	Cuando la puerta está abierta, entra aire caliente y húmedo al congelador causando la escarcha.

EL HIELO TIENE MAL OLOR O SABOR

Revise si...	Entonces...
La máquina de hielo se instaló recientemente.	Elimine las primeras tandas de hielo para evitar hielos con mal sabor y descoloración.
El hielo lleva almacenado mucho tiempo.	Elimine el hielo viejo y haga nuevas provisiones.
Los alimentos no se han envuelto correctamente en ninguno de los compartimentos.	Vuelva a envolver los alimentos, ya que los olores emigran al hielo si los alimentos no se cubren correctamente.
El suministro de agua contiene minerales como azufre.	Puede que necesite instalar un filtro para eliminar los problemas de sabor y olor.
El interior del refrigerador necesita limpieza.	Vea la sección de CUIDADOS Y LIMPIEZA .
El recipiente de hielo está sucio.	Vacíe y lave el recipiente. Elimine los viejos cubos de hielo.

HAY AGUA EN EL RECIPIENTE DE DESAGUE DE DESCONGELACIÓN

Revise si...	Entonces...
El refrigerador esta descongelando.	El agua se evaporará. Es normal que caiga agua en el recipiente de descongelación.
Está más húmedo de lo normal.	Espere que el agua en el recipiente de descongelación tarde más en evaporarse. Esto es normal cuando está muy caliente o húmedo.

EL REFRIGERADOR HACE MUCHO RUIDO

Revise si...	Entonces...
Los sonidos son normales para su refrigerador.	Referenciarse a la sección ENTENDIENDO LOS SONIDOS QUE ESCUCHA .

Visite nuestro sitio web/<http://www.lgservice.com>

LG Electronics

GARANTÍA LIMITADA

Estados Unidos de América

LG Electronics reparará o en su defecto reemplazará sin cargo, el producto defectuoso en material o mano de obra bajo uso normal durante el periodo de garantía que se menciona a continuación desde la fecha original de compra.

Esta garantía es válida solo para el comprador original del producto durante el periodo de garantía mientras permanezca en los E.E. U.U. Incluyendo Alaska, Hawaii y otros territorios de E.E.U.U.

Período de Garantía del refrigerador/Congelador LG

Producto	Partes	Mano de Obra
Refrigerador / Congelador	1 año	1 año [Servicio a domicilio (Excepto Modelo GR-051)]
Sistema Sellado (Compresor, Condensador, Evaporador)	7 años	1 año [Servicio a domicilio (Excepto Modelo GR-051)]

No se aplicará otro tipo de garantía a este producto. LA DURACION DE OTRAS GARANTIAS, INCLUYENDO LA DE COMPRA, ESTAN LIMITADAS A LA DURACION DE ESTA GARANTIA. LG ELECTRONICS NO SE HACE RESPONSABLE POR LA PERDIDA EN EL USO DEL PRODUCTO, POR INCONVENIENCIA O CUALQUIER OTRO DAÑO DIRECTO O CONSECUENTE QUE PROVENGA DEL USO Y/O NO USO DE ESTE PRODUCTO O POR ALGUNA VIOLACION A LAS GARANTIAS IMPLEMENTADAS INCLUYENDO LA GARANTIA DE COMPRA APLICADA A ESTE PRODUCTO.

Algunos estados no permiten la exclusión o limitación de daños incidentales o consecuenciales o limitaciones en cuanto al tiempo que dura una garantía implícita; por lo que algunas de estas limitaciones o exclusiones pueden no aplicarse a usted. Esta garantía le otorga derechos legales específicos y usted puede además tener otros derechos los cuales varían de Estado a Estado.

LA GARANTIA ANTERIOR NO APLICA A :

1. Servicio a su casa para entregar, recoger, instalar o reemplazar fusibles caseros, corregir cableado casero o plomería corrección de reparaciones no autorizadas.
2. Daño al producto causado por accidente, plagas, incendios, inundaciones o actos por naturaleza.
3. Reparaciones cuando su producto LG sea usado diferente a lo normal.
4. Daño resultante de accidente, alteración, mal uso o instalación inadecuada.
5. Daños causados durante y después de la entrega.
6. Reemplazo, descuento o restauración de unidades compradas con rayones, abolladuras o defectos.

La prueba de la compra se requiere y se debe proporcionar a LG para validar la garantía.

Por lo tanto, estos costos serán pagados por el consumidor.

Si el producto es instalado fuera del área normal de servicio, cualquier costo de transportación relacionado en la reparación del producto, o el reemplazo de partes defectuosas, serán cargados al propietario.

NÚMEROS DE ASISTENCIA AL CLIENTE:

Para obtener cobertura de la Garantía:	Conserve su factura para comprobar la fecha de compra. Una copia de su recibo de compra debe ser entregada cuando se le proporcione el servicio de garantía.
Para obtener información:	Lláme al 1-800-243-0000 (24 hrs al día, 7 días por semana, 365 días al año)
Servicio de Asistencia:	Presione la opción de menú apropiado, y tenga su tipo de producto (Refrigerador), número de modelo, número de serie, y ZIP Código Postal listos.
Para obtener el Centro de Servicio Autorizado más cercano:	Lláme al 1-800-243-0000 (24 hrs al día, 7 días por semana, 365 días al año) Presione la opción adecuada, y tenga su tipo de producto (Refrigerador), número de modelo, número de serie, y ZIP /código Postal listos.



LG Electronics Inc.

<http://www.lge.com>

Free Manuals Download Website

<http://myh66.com>

<http://usermanuals.us>

<http://www.somanuals.com>

<http://www.4manuals.cc>

<http://www.manual-lib.com>

<http://www.404manual.com>

<http://www.luxmanual.com>

<http://aubethermostatmanual.com>

Golf course search by state

<http://golfingnear.com>

Email search by domain

<http://emailbydomain.com>

Auto manuals search

<http://auto.somanuals.com>

TV manuals search

<http://tv.somanuals.com>