

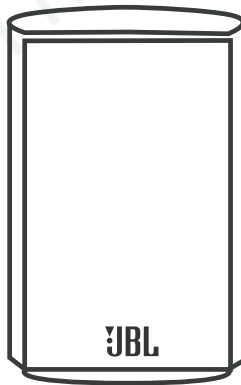


Satellite Speaker

Cat. No.

AESS5

USER GUIDE



DI-000-AESS5-02A-X0

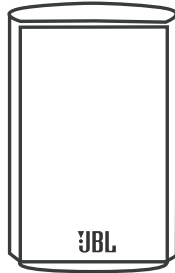
OVERVIEW

**Thank you for choosing Leviton Architectural Edition™
powered by JBL.**

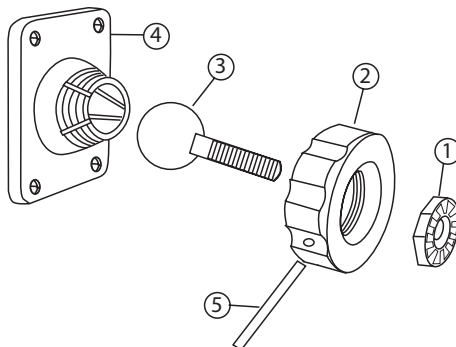
Please take a moment to register your product on our Web site at www.leviton.com. It enables us to keep you posted on our latest advancements, and helps us to better understand our customers and build products that meet their needs and expectations.

PARTS INCLUDED

Cat. No. AESS5
One speaker



Bracket Assembly



- 1 – Metal Nut (2)
- 2 – Molded Nut (2)
- 3 – Ball/Shaft (2)
- 4 – Wall Bracket (2)
- 5 – Metal bar (1)

SPEAKER PLACEMENT

NOTE: The satellite speakers can be placed directly on a shelf, or mounted on a wall using the included wall brackets.

Left and Right Front Channels

For left and right front channels, place one satellite to the left and another to the right of the television, as shown in **Figures 1A and 1B**. Since the speakers are magnetically shielded, you can place them very close to the TV without worrying about the magnetic field distorting the picture.

Center Channel

For the center channel, place the speaker directly on top of, or below, your television. Use the included brackets for wall mounting.

Surround Channels

For left and right surround channels, place one speaker on the left and another on the right, to the side of or slightly behind the listening area. The surround speakers should be mounted at a height of between 4 feet and 7 feet.

Figure 1A
Typical Placement

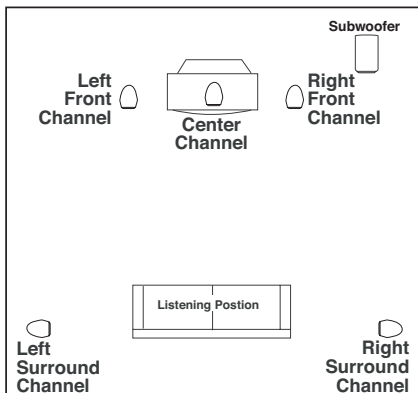


Figure 1A shows a typical installation, satellite speakers are used to reproduce sound for the front and surround channels. The center channel reproduces sound and dialogue. The powered subwoofer provides bass for effects and music.

Figure 1B
Alternate Placement

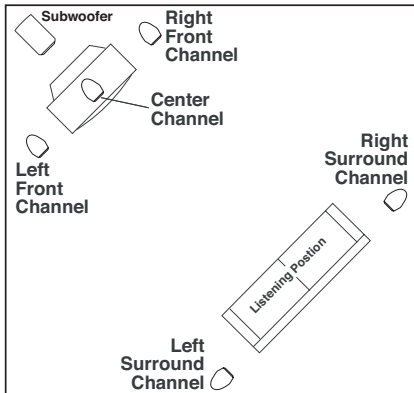


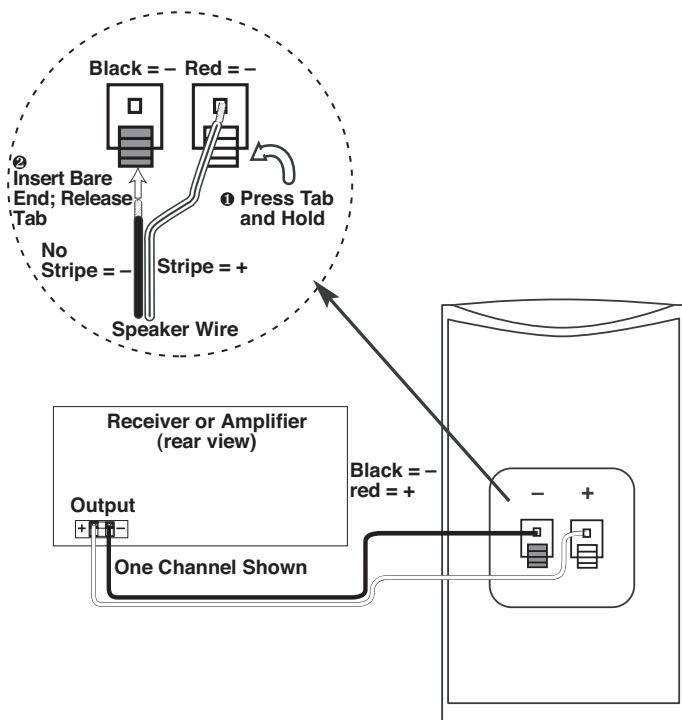
Figure 1B shows an alternative layout, which may be more suitable for some rooms.

SPEAKER CONNECTIONS

TURN OFF ALL POWER.

Speakers and electronics terminals have corresponding (+) and (-) terminals. It is important to connect both speakers identically: (+) on the speaker to (+) on the amplifier and (-) on the speaker to (-) on the amplifier. Wiring “out of phase” results in thin sound, weak bass and a poor stereo image. The side of the wire with a ridge or other coding is usually considered positive polarity (i.e., +). Also, consult the owner’s manuals that were included with your amplifier or receiver to confirm connection procedures.

With the advent of multichannel surround sound systems, connecting all of the speakers in your system with the correct polarity remains equally important in order to preserve the proper ambience and directionality of the program material.



WIRE LENGTH

Up to 20 ft.
Up to 30 ft.
Greater than 30 ft.

RECOMMENDED SIZE

16 gauge
14 gauge
12 gauge

INSTALLATION

WARNING: TO BE INSTALLED AND/OR USED IN ACCORDANCE WITH APPROPRIATE ELECTRICAL CODES AND REGULATIONS.

NOTE: LEVITON ARCHITECTURAL EDITION™ POWERED BY JBL SATELLITE SPEAKERS WERE DESIGNED TO BE EASILY INSTALLED. HOWEVER, IF YOU ARE UNSURE OF YOUR ABILITY TO PROPERLY INSTALL THESE LOUDSPEAKERS, PLEASE CONTACT YOUR DEALER OR A QUALIFIED INSTALLER.

NOTE: SPEAKER WIRE RUNS SITUATED INSIDE A WALL NEED TO BE FIRE-RATED. WHEN IN DOUBT, CONSULT YOUR LOCAL ELECTRICAL INSPECTOR FOR CORRECT WIRE RATINGS.

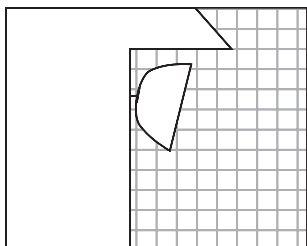
WALL MOUNTING

The Cat. No. AESS5 satellite speaker is to be wall-mounted with the adjustable wall-mounting brackets included, or placed on a shelf.

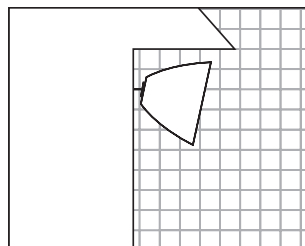
This product is not intended for ceiling mounting. Note that is the responsibility of the end user for proper selection and use of mounting hardware, available through hardware stores, to properly and safely wall-mount the speakers. **Optional, adjustable, wall-mounting brackets are available from JBL.**

Contact your dealer, or call 800-336-4JBL for a dealer near you, and order model no. WBN26WHT.

Vertical Mounting



Horizontal Mounting

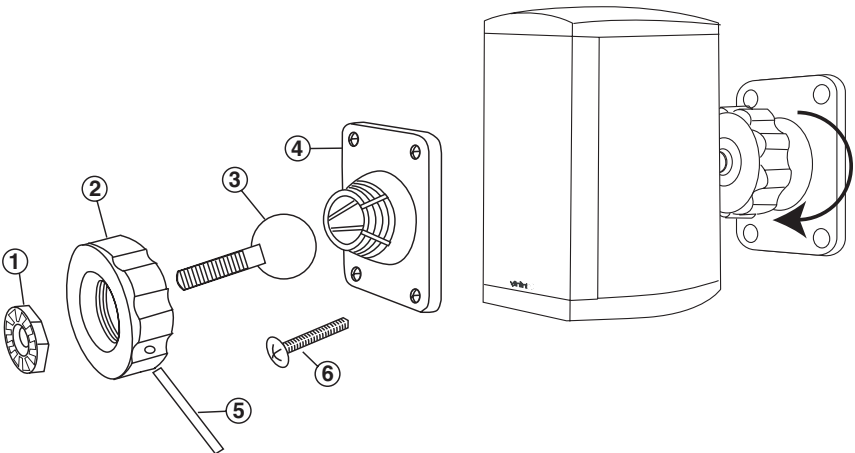


Bracket Assembly:

CAUTION: PROPER SELECTION OF MOUNTING HARDWARE NOT INCLUDED HEREIN AND PROPER ASSEMBLY AND INSTALLATION OF BRACKETS, INCLUDING BUT NOT LIMITED TO SELECTION OF APPROPRIATE WEIGHT BEARING SUPPORT AND BRACKET USE WITH THE SPECIFIED SPEAKER ONLY IS THE EXCLUSIVE RESPONSIBILITY OF THE CUSTOMER. MANUFACTURER DISCLAIMS ANY LIABILITY FOR THE SELECTION OF MOUNTING HARDWARE AND OR BRACKET INSTALLATION.

1. Loosen and remove the molded nut (2) by turning it counter clockwise. Use the supplied metal bar (5) if necessary by inserting it in one of the holes on the molded nut (2).

2. Pull the ball/shaft (3) out of the wall bracket (4).
3. Slide on the molded nut (2) onto the ball/shaft (3) with threaded opening facing the ball, and thread on the metal nut (1) all the way onto the ball/shaft (3), with the nut (1)'s "knurled" surface facing away from the ball.
4. Screw on the ball/shaft (3) into the threaded insert on the back of the speaker cabinet until it is fully seated against the bottom of the insert.
5. Tighten the "knurled" nut (1) using a crescent wrench until it is firmly seated against the back of the speaker and has fully locked the ball/shaft (3) and the speaker cabinet together. Please note that once this nut is tightened, it may embed some marks on the back of the speaker where the attachment is made. However, these marks will be covered by the nut (1).
6. Mount the wall bracket (4) onto a wood stud on the wall, using #10, minimum 1 inch long, wood screws (6, **not included**). If necessary, use a stud finder to locate the studs behind the drywall. Make sure that all 4 screws are driven into the stud and not in drywall. If the bracket needs to be mounted on drywall, the use of properly selected and installed wall-anchors and screws is essential.
7. Holding the speaker cabinet with both hands, reinsert the ball portion of the ball/shaft (3) into the wall bracket (4).
8. Hand tighten the molded nut (2) while positioning the speaker for the intended orientation.
9. Once the orientation of the speaker is finalized, use the metal bar (5) in one of the holes on the molded nut (2) and tighten securely.



1 – Metal Nut (2)
 2 – Molded Nut (2)
 3 – Ball/Shaft (2)

4 – Wall Bracket (2)
 5 – Metal bar (1)
 6 – Wood Screw (not included)

OPERATION

Surround Modes:

When using the system in a Dolby* Digital or DTS® home theater system, ensure that all Cat. No. AESS5 speakers are set to “Small”.

When using the Cat. No. AESS5 in a Dolby Pro Logic* home theater system, ensure that the receiver's center channel mode is set to “Normal”.

Some Dolby Digital-equipped receivers/processors offer different setup options for each source or surround mode, e.g., Cd-Stereo, Videotape, Dolby, Pro Logic. In each case, follow your equipment's instructions to ensure that the subwoofer output is turned ON and the speakers are set to “Small” in each mode.

MAINTENANCE AND SERVICE

The satellite enclosure may be cleaned using a soft cloth to remove fingerprints or to wipe off dust.

All wiring connections should be inspected and cleaned or remade periodically. The frequency of maintenance depends on the metals involved in the connections, atmospheric conditions, and other factors, but once per year is the minimum.

If a problem occurs, make sure that all connections are properly made and clean. If a problem exists in one loudspeaker, reverse the connection wires to the left and right system. If the problem remains in the same speaker, then the fault is with the loudspeaker. If the problem appears in the opposite speaker, the cause is in another component or cable.

Refer to the Troubleshooting section for additional information.

TROUBLESHOOTING

IF THERE IS NO SOUND FROM ANY OF THE SPEAKERS:

- Check that receiver/amplifier is on and a source is playing.
- Check all wires and connections between receiver/amplifier and speakers. Make sure all wires are connected. Make sure none of the speaker wires are frayed, cut, punctured or touching each other.
- Review proper operation of your receiver/amplifier.

IF THERE IS NO SOUND COMING FROM ONE SPEAKER:

- Check the “Balance” control on your receiver/amplifier.
- Check all wires and connections between receiver/amplifier and speakers. Make sure all wires are connected. Make sure none of the speaker wires are frayed, cut, punctured or touching each other.

IF THERE IS LOW (OR NO) BASS OUTPUT:

- Make sure the connections to the left and right “Speaker Inputs” have the correct polarity (+ and –).
- Consider adding a powered subwoofer to your system.
- In Dolby Digital or DTS modes, make sure your receiver/processor is correctly configured. When using a subwoofer, make sure the subwoofer output of the receiver/ processor has been enabled. If no subwoofer is being used, make sure the left and right front and rear speakers have been configured as “LARGE.” See your receiver/ processor’s owner’s manual for further information on correct speaker configuration in Dolby Digital, DTS and other surround sound modes.

IF THE SYSTEM PLAYS AT LOW VOLUMES BUT SHUTS OFF AS VOLUME IS INCREASED:

- Check all wires and connections between receiver/amplifier and speakers. Make sure all wires are connected. Make sure none of the speaker wires are frayed, cut , punctured or touching each other.
- If more than one pair of main speakers is being used, check the minimum-impedance requirements of your receiver/amplifier.

NOTES

NOTES

NOTES

SPECIFICATIONS

NOTES:

- All features and specifications are subject to change without notice.
- † The maximum recommended amplifier power rating will ensure proper system headroom to allow for occasional peaks. We do not recommend sustained operation at these maximum power levels.
- * Trademark of Dolby Laboratories.

DTS is a registered trademark of Digital Theater Systems, Inc.

AESS5

Frequency Response

150Hz– 20kHz (± 3 dB)

Recommended Amplifier

Power Range

10-100 watts

Impedance

8 ohms nominal

Crossover Frequency

86dB

Crossover Frequency

7,000Hz – 24dB/octave

Midrange Driver(s)

2-1/2" magnetically shielded

High-Frequency Transducer

1/2" magnetically shielded

Dimension (H x W x D)

5" x 3-1/2" x 6-1/4"

(241mm x 159mm x 121mm)

Weight per Speaker

4.5 lbs (2.1kgs)

LIMITED 5 YEAR WARRANTY AND EXCLUSIONS

Leviton warrants to the original consumer purchaser and not for the benefit of anyone else that this product at the time of its sale by Leviton is free of defects in materials and workmanship under normal and proper use for five years from the purchase date. Leviton's only obligation is to correct such defects by repair or replacement, at its option, if within such five year period the product is returned prepaid, with proof of purchase date, and a description of the problem to **Leviton Manufacturing Co., Inc., Att: Quality Assurance Department, 59-25 Little Neck Parkway, Little Neck, New York 11362-2591**. This warranty excludes and there is disclaimed liability for labor for removal of this product or reinstallation. This warranty is void if this product is installed improperly or in an improper environment, overloaded, misused, opened, abused, or altered in any manner, or is not used under normal operating conditions or not in accordance with any labels or instructions. **There are no other or implied warranties of any kind, including merchantability and fitness for a particular purpose**, but if any implied warranty is required by the applicable jurisdiction, the duration of any such implied warranty, including merchantability and fitness for a particular purpose, is limited to five years. **Leviton is not liable for incidental, indirect, special, or consequential damages, including without limitation, damage to, or loss of use of, any equipment, lost sales or profits or delay or failure to perform this warranty obligation.** The remedies provided herein are the exclusive remedies under this warranty, whether based on contract, tort or otherwise.

For additional information, contact Leviton's Techline at
1-800-824-3005 or visit Leviton's website at www.leviton.com

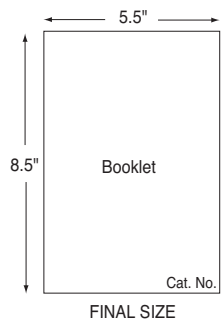
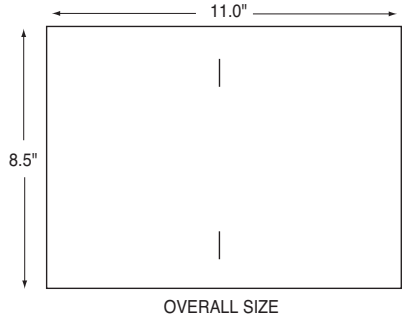
406-000-05430-E



DI-000-AESS5-02A-X0

This page is **NOT** to be printed in the booklet

LEVITON INSTRUCTION SHEET/MANUAL SPECIFICATIONS	
• Artwork No/Rev Level: <u>DI-000-AESS5-02A-X0</u>	
• Color(s): <u>Black, over</u>	
1. <u> </u>	2. <u> </u>
3. <u> </u>	4. <u> </u>
• Font Families: <u>Helvetica</u>	
• Material	
Type: <u>50 lb. offset</u>	
• Coating: <input type="checkbox"/>	
• Paper size:	
Overall size: <u>11" x 8.5"</u> (Printer Spread) 12 Pages	
Final fold size: <u>5.5" x 8.5"</u> (booklet - saddle stitch)	
DOCUMENTATION	
•ECO No.: <u>N/A</u>	
• Artist: <u>KKC</u>	Date: <u>11/30/05</u>
<small>The information in this document is the exclusive PROPRIETARY property of LEVITON MANUFACTURING COMPANY, INC. It is disclosed with the understanding that acceptance or review by the recipient constitutes an undertaking by the recipient, (1) to hold this information in strict confidence, and (2) not to disclose, duplicate, copy, modify, or use the information for any purpose other than that for which disclosed.</small>	
<small>Copyright © 1997 Leviton Mfg. Co. Inc. Unpublished. All Rights Reserved</small>	



Free Manuals Download Website

<http://myh66.com>

<http://usermanuals.us>

<http://www.somanuals.com>

<http://www.4manuals.cc>

<http://www.manual-lib.com>

<http://www.404manual.com>

<http://www.luxmanual.com>

<http://aubethermostatmanual.com>

Golf course search by state

<http://golfingnear.com>

Email search by domain

<http://emailbydomain.com>

Auto manuals search

<http://auto.somanuals.com>

TV manuals search

<http://tv.somanuals.com>