

## eXtreme® 6+ Connector

### APPLICATION

Leviton's eXtreme® 6+ Connector is designed to be used with all Leviton QuickPort® compatible products. The connectors include Leviton's patented "Retention Force Technology" (RFT) which promotes consistent performance over the life of the system. Includes unique pair separation towers allowing for quicker and easier terminations. The connector is configured in a 180° configuration such that the punch field is in the back, allowing for rear termination.

### STANDARDS COMPLIANCE

eXtreme® 6+ system components meet or exceed the requirements for channel and component-level performance for TIA/EIA Category 6, cULus Listed, NOM and ACA.

### PHYSICAL SPECIFICATIONS

Dimensions: .901"H x .575"W x 1.246"D  
Materials: Connector body is high-impact, fire-retardant plastic rated UL 94V-0. Spring wire contacts are high quality copper-based alloy, plated with 50 micro-inches of gold over 100 micro-inches of nickel for lowest contact resistance, maximum life.

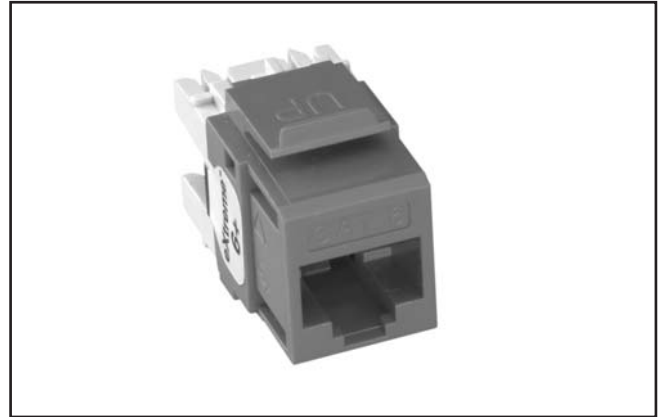
### DESIGN CONSIDERATIONS

- Use in any QuickPort® housing to support Category 6 UTP connectivity in surface mount, flush mount, or modular furniture outlets and field configurable panels.
- Can be used in conjunction with other QuickPort® snap-in modules for voice/data and video applications over UTP, coax and fiber.
- To identify ports: use different colored modules for each application (full selection of TIA/EIA-606 compatible colors—13 available).

### INSTALLATION NOTES

- Designed for cable termination with a 110 punchdown tool.
- Detailed installation instructions are included in the standard pack.
- IDCs arranged to minimize untwisting.

See ELECTRONIC FILES for CAD files (.DXF, .DWG, MS-DOS.EPS) on disk



### WARRANTY INFORMATION

For a copy of Leviton product warranties, log on to [www.levitonvoicedata.com/warranty](http://www.levitonvoicedata.com/warranty).

For ELECTRONIC Typical Specs see (.TXT) file on disk.

### TYPICAL SPECIFICATION

The modular connector shall meet or exceed the requirements for channel and component-level performance described in TIA/EIA-568-B.2-1 Category 6 standards. The modular connector shall be individual snap-in style. The connectors shall also be in compliance with all National Electrical Codes; compliant with FCC Part 68; UL listed; and independently verified. In addition to Category 6 compliance, the connector shall have the ability to support high megabit and shared-sheath applications. All plastics used in construction of the connector bodies shall be fire-retardant with a UL flammability rating of 94V-0. Termination of all connectors shall be 110-type insulation displacement connectors (IDC). The connector shall provide a ledge directly adjacent to the 110-style termination against which the wires can be directly terminated and cut in one action by the installation craftsman. Connector wiring is universal and will accommodate installation color codes for T568A and T568B wiring schemes. The termination field shall be in the rear for easy access. The modular connector shall fit all other installed telecommunications wallplates, outlets and field-configurable patch panels and patch blocks. Colors and configurations to be specified per schedule on plan.



For Technical Support Call 1-425-485-4288; in USA call 1-800-824-3005.  
Spec sheets and updates are also available at [www.levitonvoicedata.com](http://www.levitonvoicedata.com).

2222 - 222nd St. SE • Bothell, WA 98021 USA  
Tel: 1-800-722-2082 / 1-425-485-4288 • Fax: 1-425-483-5270 • Int'l Fax: 1-425-485-9170 • GSA Schedule Available



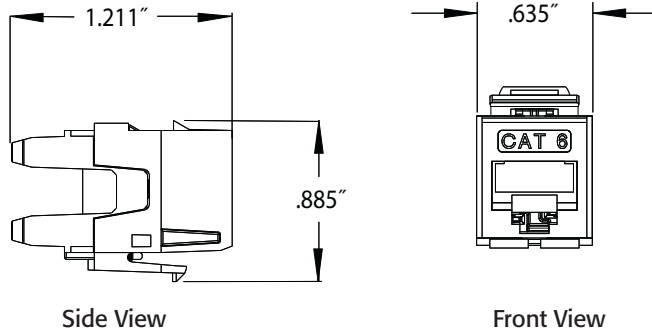
# eXtreme® 6+ Connector

Part Number  
61110-Rx6

.....

## DIMENSIONAL LINE ART

See ELECTRONIC FILES for CAD images  
(.DXF, .DWG, MS-DOS.EPS)



## Part Number

eXtreme 6+ Connector	Part No.
eXtreme 6+ Connector	61110-R*6

\*= Color choices for connectors: (I) Ivory, (W) White, (G) Grey, (E) Black, (O) Orange, (L) Blue, (C) Crimson Red, (Y) Yellow, (V) Green, (P) Purple, (A) Almond, (B) Brown, (R) Dark Red.



For Technical Support Call 1-425-485-4288; in USA call 1-800-824-3005.  
Spec sheets and updates are also available at [www.levitonvoicedata.com](http://www.levitonvoicedata.com).



2222 - 222nd St. SE • Bothell, WA 98021 USA • Tel: 1-800-722-2082 / 1-425-485-4288 • Fax: 1-425-483-5270 • Int'l Fax: 1-425-485-9170 • GSA Schedule Available

## Free Manuals Download Website

<http://myh66.com>

<http://usermanuals.us>

<http://www.somanuals.com>

<http://www.4manuals.cc>

<http://www.manual-lib.com>

<http://www.404manual.com>

<http://www.luxmanual.com>

<http://aubethermostatmanual.com>

Golf course search by state

<http://golfingnear.com>

Email search by domain

<http://emailbydomain.com>

Auto manuals search

<http://auto.somanuals.com>

TV manuals search

<http://tv.somanuals.com>