

LEWMAR® |

Hatch Spares Book Volume 1

Issue 2 - 20th December 2000

Contents

Product Marking & Date Coding

Product Identification Tables

Hatches : Superhatch

Size 6

Rollstop

Trimline

Coastline

Trimport

Ocean

Concept

Trims, Flyscreens & Accessories

Warranty Statement

LEWMAR®

HATCH & PORTLIGHT PRODUCT MARKING & DATE CODING

All Lewmar Hatches and Portlights (except old Standard) produced since October 1997 have had identification information stamped on the acrylic. On Portlights and Fixedlights the information is under the $\alpha\beta\gamma\delta$ branding. On hatches the information is between the right hand handle and the edge of the acrylic.

The information is:-

1) Range Name & Hatch Size

For Hatches; Ocean, Coastline, Trimport, Trimline or Concept

For Portlights; Standard (New Standard only), Atlantic, Ocean or ASTAR (Hallberg Rassy only)

Or

A number in the form "399SSXR" for example 3996003 where:-

SS is the hatch size, in the example Size 60

X is the acrylic colour as per Table X in the spares book, in the example 0 for grey

R is the Range, 3 is Low Profile, as in the example, and 2 is Medium Profile

On Mark 2 Low & Medium Profile hatches the number is preceded by and "A" for example "A3996002"

Or

A number in the form "300XXX" for example 300380. This is the first 6 digits of a hatch or portlight custom product part number, in this case it would be 300380000

3) The date

In the form "DDMY" for example 11J7 where:-

11 is the eleventh day of the month

J is the month of September

7 is the year 1997, the year 2000 will be 0.

The letter code for the month is:-

A = January

B = February

C = March

D = April

E = May

F = June

The letter I "India" is not used

G = July

H = August

J = September

K = October

L = November

M = December

Box Label

The bar code label on the box also contains a date code in the form 9739 where:-

97 is the year

39 is the week of the year

White Sticky Label On Alloy Frame

The white sticky label is from our anodising sub-contractors. It is in the form "100E 5", where:-

100 is the 100th day of the year

E is the year 1997 (1998 will be F)

5 is an code for additional production information

Date Code Stamped Into Alloy Frame

The Lewmar date code is stamped under the lid extrusion and is in the same form as the date code outlined above for the acrylic stamping

Lewmar Hatch Identification

Hatches Produced after October 1997 have information stamped in the acrylic which will identify them.

Identifying Features on hatch ranges in production October 1997 or before	Hatch Range							
	Superhatch	Rollstop	Trimline	Coastline & Trimport	Ocean	Concept	Low Profile	Medium Profile
Production Dates	80-'87	'86-'92	'88-now	'91-now	'91-now	'94-now	1998	1999
Height Above Deck	50mm	39-42mm	21mm	21mm	40-43mm	19mm	All hatches in these ranges are acrylic marked	
Lid is held open by a stay			✓	✓ Early models of the smaller sizes only				
Acrylic not bonded into an alloy frame						✓		
As the lid is lifted, it clicks through a series of positions at which the hatch will hold open	✓	✓						
Catch blocks in corners of lower frame	✓							
Large inside handles have locking buttons inside		✓	✓	✓	✓			
Hinge has black metal strap extending a short way over the acrylic	✓							

LEWMAR®

Superhatch

Build Dates : 1980 to 1987 (check Hatch Identification Table for ranges with overlapping production dates).

Identification : As the lid is lifted, it clicks through a series of positions at which the hatch will hold open. The hinge has a black metal strap extending a short way over the acrylic. The catch blocks are in the corners of the lower frame and the inside hatches do not have red locking buttons.

Notes : These hatches have been out of production for some time and only a limited range of spares is now available. If the hatch is damaged in the future it may be necessary to fit a new hatch.

Instructions :	Fitting & Adjustment	B2045 Mk.V (2 pages)
Spares Kits :	Superhatch Handle Kit	B5525-2
	Superhatch Catch block Kits	B5526-2
	Superhatch Hinge Pin Kits	B5527-1
	Superhatch Seal Kits	B5528-1
	Superhatch Acrylic to Hinge Fastening	B5528-1

LEWMAR®

Size 6

Build Dates : The Size 6 started production in 1980 and remains in build. There have been several specifications. The longest running is described below.

Notes : The Size 6 is a Superhatch which, because it is the largest hatch Lewmar has made, remains in production.

Identification : 882 x 882 over all size (there are some Ocean Hatches with the same size)

The hinges are 3 black metal straps that extend over, and are fastened to, the acrylic.

4 handles, 2 on the front and 2 on the sides. The outside handles are alloy and the inside handles have red locking buttons.

The lid is not self-supporting.

Instructions : Fitting & Adjustment

B2045 Mk.V

Spares Kits : Alloy Outside Handles

B5661-1

Hinge Kit

B5529-1

Seal Kit

B5528-1

LEWMAR®

Rollstop Hatch

Build Dates : 1986 to 1992 (check Hatch Identification Table for ranges with overlapping production dates).

Identification : As the lid is lifted, it clicks through a series of positions at which the hatch will hold open. The inside hatches have red locking buttons.

Instructions : Fitting & Adjustment	Not available
Rollstop Hinge Kit Sz 10 & 20	B2193 Iss B (2 sides)
Rollstop Hinge Kit Sz 30 & 40	B2202 Iss B (2 sides)
Rollstop Hinge Kit Sz 50,60,65 & 70	B2194
Retro Fit Lock & Key	B5677-B & C

Spares Kits : Catch blocks	B5520-2
Rollstop Hinge Kits	B5521-3
Rollstop Seal Kits	B5528-1
Handle Kits (with external handle)	B5662-3
Handle Kits (no external handle)	B5664-2

Accessories : Retro Fit Lock & Key Kit	B5677-3
Inside Handle Both Sides Kit	B5966-B
Trims & Flyscreens	

LEWMAR®

Trimline Hatch

Build Dates : The Trimline hatch was made from 1988 until 2000. (check Hatch Identification Table for ranges with overlapping production dates).

Identification : The Trimline had a stainless steel stay that slid in a track in the lower frame. The stay could be locked in pre set positions in the lower frame to hold the lid open.

Notes : In December 1992 the Trimline was changed to use the Coastline Seal, on hatches with the old seal the new seal may be used as a replacement.

Early Trimports (Sz 03,05,11,41,23,52 & 61) also had stays, replacement parts for these hatches are listed under Trimport Spares.

Instructions : Fitting & Adjustment B2179 Iss B (2 pages)
Retro Fit Lock & Key B5677-B & C

Spares Kits : Catch blocks B5520-2
Stay Kits (Sz 10,30,35,40,50,60 & 70) B5530-2
Seal Kits B5539-2
Hinge Pins B5541-1
Lower Frames B5542-2
Lids B5550-2
Handle Kits B5666-2

Accessories : Retro Fit Lock & Key Kit B5677-3
Inside Handle Both Sides Kit B5966-B
[Trims & Flyscreens](#)

LEWMAR®

Coastline Hatch

(Coastline sizes 00 to 24, 33, 41 and 61 are listed as Trimports)

Build Dates : The Coastline hatch was made from 1991 until 2000 (check Hatch Identification Table for ranges with overlapping production dates).

Identification : The handles have red locking buttons (dark grey on Beneteau boats). The lids open smoothly with Friction Levers for support. These features are shared with the Ocean hatches but the Ocean is at least 40mm high of the deck. The Coastline is only 20mm.

Instructions : Fitting & Adjustment B4050 (2 pages)
Retro Fit Lock & Key B5677-B & C

Spares Kits : Catch blocks B5520-2
Seals B5539-2
Lower Frames B5600-3
Lids B5611-4
Hinge Pins B5622-2
Handle Kits (square & rectangular hatches) B5662-3
Handle Kits (round hatches) B5666-2

Friction Levers B5676-2

Accessories : Retro Fit Lock & Key Kit B5677-3
Inside Handle Both Sides Kit B5966-B
[Trims & Flyscreens](#)

LEWMAR®

Trimport Hatch

(also known as Coastline sizes 00 to 24, 33, 41 and 61)

Build Dates : The Trimport hatch was made from 1991 until 2000 (check Hatch Identification Table for ranges with overlapping production dates).

Identification : The lids open smoothly with Friction Levers for support. These features are shared with the Ocean hatch but the Ocean is at least 40mm high of the deck. The Trimport is only 20mm.

Notes : Early Trimport hatches had a Trimline type stainless steel stay with a friction slider in the lower frame to hold the hatch open. Later Trimports used the small friction lever.

Instructions : Fitting & Adjustment B4050 Iss B (2 pages)
Retro Fit Lock & Key B5677-B & C

Spares Kits Mk.1 & 2 Common Parts :

Catch blocks	B5520-2
Seal Kits	B5540-1
Hinge Pins	B5541-1
Handles	B5668-3

Spares Kits Mk.1 (with stay) :

Lower Frames (stay version)	B5543-3
Stay Kits Sz 03,05,11,41 & 23	B5560-1
Stay Kits Sz 52 & 61	B5563-2
Lids (stay version)	B5565-2

Spares Kits Mk.2 (with friction lever) :

Lower Frames (friction lever version)	B5575-3
Small Friction Levers	B5675-2
Lids (friction lever version)	B5585-2

Accessories : Retro Fit Lock & Key Kit B5677-3
Inside Handle Both Sides Kit B5966-B
[Trims & Flyscreens](#)

LEWMAR®

Ocean Hatch

Build Dates : Production started in 1991 and the hatch remains in build (check Hatch Identification Table for ranges with overlapping production dates).

Identification : The handles have red locking buttons (dark grey on Beneteau boats). The lids open smoothly with Friction Levers for support. These features are shared with the Coastline/Trimport hatches but the Ocean is at least 40mm high from the deck. The Coastline/Trimport is only 20mm.

Instructions : Fitting & Adjustment B4056 Iss B (2 pages)
Retro Fit Lock & Key B5677-B & C

Spares Kits : Catch blocks B5520-2
Lower Frames - Flat B5625-3
Lower Frames - Flanged B5626-3
Lids B5642-3
Hinge Pins B5659-2
Seal Kits B5660-3
Handle Kits (large handles with locking buttons) B5662-3
Handle Kits (small handles without locking buttons) B5668-3
Small Friction Levers (Size 00, 10,20) B5675-2
Large Friction Levers (Size 30 and above) B5676-2

Accessories : Retro Fit Lock & Key Kit B5677-3
Inside Handle Both Sides Kit B5966-B
[Trims & Flyscreens](#)

LEWMAR®

Concept

Build Dates : Production started in 1994 and the hatch remains in build.

Identification : The Concept hatch is the only hatch which Lewmar has made with no frame around the acrylic.

Many concept hatches for very high volume OEMs are made with custom paint colours to match the gel coat.

Size 13 lower frames are no longer available

Instructions : Fitting & Adjustment (Round Hatches)	B4072-B
Fitting & Adjustment (Rectangular Hatches)	B4070-1

Spares Kits : Main (Lower Frames)	B5757-3
Acrylics	B5758-3
Aluminium Trim Frames	B5759-3
Flyscreens	B5760-4
Seal Kits	B5767-2
Handle Kits	B5668-3
Friction Levers (Round Hatches Only)	B5779-2
Hinges (Rectangular Hatches Only)	B5761-1

LEWMAR®

Trims, Flyscreens & Accessories

Retro Fit Lock & Key Kit	B5677-3
Retro Fit Lock & Key Kit Instructions	B5677-B&C
Inside Handle Both Sides Kit	B5966-B
Trims & Flyscreens (Plastic Trim & Alloy Framed Flyscreen)	
Trims & Flyscreens (Plastic Trim & Alloy Framed Flyscreen) Instructions	B2184-B
Trims & Flyscreens (Alloy Trims & Elasticated Flyscreens)	

Alloy Framed Flyscreens, Plastic Trims & Trimkits Part Numbers

Hatch	Flyscreens Box 1 Part Number	Flyscreens Box 5 Part Number	Push-In Flysceens (25mm Flange Base Ocean Hatches Only)	Trims Only		Trimkits	
				Part Number Ivory	Part Number White	Part Number Ivory	Part Number White
Ocean Size 00	396009937	367600910	396009991	368600552	368600252	367600552	367600252
Ocean Size 10	396109937	367610910	396109991	368610552	368610252	367610552	367610252
Ocean Size 20	396209937	367620910	396209991	368620552	368620252	367620552	367620252
Ocean Size 30	396309937	367630910	396309991	368630552	368630252	367630552	367630252
Ocean Size 40	396409937	367640910	396409991	368640552	368640252	367640552	367640252
Ocean Size 44	396449937	367644910	No P/N	368644552	368644252	367644552	367644252
Ocean Size 50	396509937	367650910	396509991	368650552	368650252	367650552	367650252
Ocean Size 54	396549937	367654910	No P/N	368654552	368654252	367654552	367654252
Ocean Size 60	396609937	367660910	396609991	368660552	368660252	367660552	367660252
Ocean Size 65	396659937	367665910	No P/N	368665552	368665252	367665552	367665252
Ocean Size 70	396709937	367670910	396709991	368670552	368670252	367670552	367670252
Ocean Size 75	N/A	N/A	N/A	N/A	N/A	N/A	N/A
Ocean Size 77	N/A	N/A	N/A	N/A	N/A	N/A	N/A
Low Profile/Coastline Size 00	=OC	=OC	N/A	368400552	368500252	367400552	367400252
Low Profile/Coastline Size 03	396039937	367503910	N/A	368503552	368403252	367403552	367403252
Low Profile/Coastline Size 05	N/A	N/A	N/A	N/A	N/A	N/A	N/A
Low Profile/Coastline Size 10	=OC	=OC	N/A	368510552	368510252	367410552	367410252
Low Profile/Coastline Size 20	=OC	=OC	N/A	368520552	368520252	367420552	367420252
Low Profile/Coastline Size 21	N/A	N/A	N/A	N/A	N/A	N/A	N/A
Low Profile/Coastline Size 41	394419993	367541910	N/A	368541552	368541252	367441552	367441252
Low Profile/Coastline Size 55	396559937	367655910	N/A	368555552	368555252	367655552	367655252
Low Profile/Coastline Size 61	N/A	N/A	N/A	N/A	N/A	N/A	N/A
Low Profile/Coastline Size 18	396189937	367618910	N/A	395189992	395189991	367618552	367618252
Low/Profile/Coastline Size 22	396229937	367622910	N/A	395229992	395229991	367622552	367622252

Elasticated Flyscreens, Alloy Trims & Trimkits

Part Numbers are "logical" not all items may be available

Hatch	Flyscreen Box 1 Part Number	Trims Only		Trimkits	
		Part Number Silver	Part Number White	Part Number Silver	Part Number White
Size 00*	399003991	368900020	368900220	367900020	367900220
Size 03	399033991	368903020	368903220	367903020	367903220
Size 05 (none catalogue)	399053991	368905020	368905220	367905020	367905220
Size 10	399103991	368910020	368910220	367910020	367910220
Size 20*	399203991	368920020	368920220	367920020	367920220
Size 21 (none catalogue)	399213991	368921020	368921220	367921020	367921220
Size 30	399303991	368930020	368930220	367930020	367930220
Size 40	399403991	368940020	368940220	367940020	367940220
Size 41	399413991	368941020	368941220	367941020	367941220
Size 44	399443991	368944020	368944220	367944020	367944220
Size 50	399503991	368950020	368950220	367950020	367950220
Size 54	399543991	368954020	368954220	367954020	367954220
Size 60	399603991	368960020	368960220	367960020	367960220
Size 61 (none-catalogue)	399613991	368961020	368961220	367961020	367961220
Size 65	399653991	368965020	368965220	367965020	367965220
Size 18	399183991	368918020	368918220	367918020	367918220
Size 22	399223991	368922020	368922220	367922020	367922220

* Does not fit Ocean

LEWMAR 'SUPERHATCH' – FITTING INSTRUCTIONS

1. POSITION HATCH ON FLAT SURFACE. CHECK THAT ALL FASTENINGS WILL BE CLEAR OF ANY RADIUS IN MOULDING.
2. MARK WITH PENCIL INSIDE LOWER EDGE OF BASE FRAME.
NB : A) IT IS ESSENTIAL THAT THE LOWER FRAME IS PLACED "SQUARE" ON THE HATCH OPENING.
B) FOR MORE THAN ONE HATCH IT IS ADVISABLE TO PREPARE A TEMPLATE.
3. CUT OUT TOP TO PENCIL LINE USING SUITABLE JIG SAW ETC. . . . IN THE CASE OF SKIRTED FRAMES ALLOW 3MM EXTRA ON APERTURE SIZE.
4. POSITION BASE FRAME OVER HOLE AND DRILL TWO BASE FRAME HOLES IN OPPOSITE CORNERS USING A 5MM DRILL. BOLT THE BASE FRAME DOWN USING THESE TWO BOLT HOLES WITH 2 x M5 CSK BOLTS. DRILL BALANCE OF HOLES 5MM AND THE TWO HINGE HOLES 7MM ON FRAME.
5. REMOVE THE FRAME, CLEAR AWAY SWarf, APPLY BEDDING COMPOUND TO UNDERSIDE OF BASE FRAME AND BOLT FIRMLY IN PLACE, FROM CENTRE WORKING OUT TO THE EDGES, USING M5 BOLTS. MAKE SURE COMPOUND SPREADS EVENLY OUT FROM THE FRAME.
6. HOOK IN THE LID/HINGE TOP AND BOLT IN PLACE USING 2 x M6 CSK BOLTS AT EACH HINGE POSITION. (USE THE BACKING PLATES PROVIDED UNDER EACH HINGE TO SPREAD ANY LOAD ON THE UNDERDECK SIDE.)
7. CHECK FOR CORRECT OPERATION OF THE LID, CLOSING/LOCKING OPERATION, EVEN PRESSURE ON SEAL ETC. . . . CLEAN OFF SURPLUS SEALANT.
8. BOLTS MUST BE USED FOR THE HINGES, SCREWS ARE INADEQUATE.

LEWMAR "SUPERHATCH" – MONTAGE INSTRUKTIONEN

1. Plazieren Sie die Luke auf eine ebene Fläche. Überprüfen Sie, ob alle Verschlüsse sich frei bewegen lassen.
2. Zeichnen Sie die untere Kante für den Rahmen mit einem Bleistift ein.
ANMERKUN : A) Es ist von grobter Bedeutung, daß der unter Rahmen im rechten Winkel zur Lukenöffnung plaziert wird.
B) Für mehr als eine Luke empfiehlt es sich, eine Schablone anzufertigen.
3. Schneiden Sie das Oberteil mit einer geeigneten Säge bis zur Bleistiftlinie aus. Falls es sich um Rahmen mit Leisten handelt, geben Sie 3 mm zusätzlich zur öffnungsgroße hinzu.
4. Bringen Sie den Rahmen über das Loch und bohren Sie mit einem 5 mm Bohrer zwei Locher in die gegenüberliegenden Ecken des Grundrahmens. Schrauben Sie den Grundrahmen mit 2 x M5 CSK Schrauben durch diese beide Locher fest. Bohren Sie die restlichen 5 mm Locher und die beiden 7 mm Scharnierlöcher in den Rahmen.
5. Entfernen Sie den Rahmen und die Späne; streichen Sie Dichtungsmasse auf die Unterseite des Grundrahmens und schrauben Sie diesen fest an seinen Platz. Verwenden Sie M5 Schrauben und beginnen Sie in der Mitte und arbeiten dann nach außen hin. Stellen Sie sicher, daß die Masse gleichmäßig vom Rahmen aus verbreitet ist.
6. Haken Sie das Deckel-/Scharnieroberteile ein und schrauben Sie es unter Verwendung von 2 x M6 Schrauben an jeder Scharnierposition an seinen Platz. (Verwenden Sie die mitgelieferten Unterlegplatten unter jedem Scharnier, um so die Belastung auf der Unterdeckseite auszubreiten.)
7. Überprüfen Sie die korrekte Funktion des Deckels, die Verschlussfunktion, den Druck auf die Abdichtung etc. Wischen Sie die überflüssige Dichtungsmasse ab.
8. Für die Scharniere müssen Schrauben mit Muttern verwendet, nur Schrauben reichen nicht aus.

Please Turn Over

LE "SUPERHATCH" LEWMAR – NOTICE DE MONTAGE

1. PLACER LE PANNEAU DE PONT SUR UNE SURFACE PLANE. VÉRIFIER QUE TOUTES LES FIXATIONS SERONT POSSIBLES.
2. TRACER AU CRAYON LE CONTOUR INTÉRIEUR DE L'EMBASE (DORMANT).
NB : A) IL EST ESSENTIEL QUE L'EMBASE SOIT PLACÉE EXACTEMENT SUR L'OUVERTURE DU PANNEAU.
B) SI L'ON A PLUS D'UN PANNEAU DE LA MÊME TAILLE, IL EST CONSEILLÉ DE PRÉPARER UN GABARIT.
3. DECOUPER LE PONT SUIVANT LE TRACÉ EN UTILISANT UNE SCIE ETC. . . . POUR DES EMBASES A JUPES, AJOUTER 3MM DE PLUS SUR TOUT LE PÉRIMÈTRE DE L'OUVERTURE.
4. PLACER L'EMBASE SUR L'OUVERTURE ET PERCER DEUX TROUS DANS DEUX COINS OPPOSÉS EN UTILISANT UN FORET DE 5MM, BOULONNER L'EMBASE AU NIVEAU DE CES DEUX TROUS AVEC DES BOULONS TÊTES FRAISÉES DE 5MM., PERCER LES AUTRES TROUS AVEC UN FORET DE 5MM ET CEUX DES CHARNIÈRES AVEC UN FORET DE 7MM.
5. ENLEVER L'EMBASE, NETTOYER, METTRE DU JOINT D'ÉTANCHÉITÉ SOUS LE CADRE ET LE BOULONNER FERMEMENT EN PLACE, DU MILIEU DES CÔTÉS VERS LES COINS, EN UTILISANT DES BOULONS DE 5MM. S'ASSURER QUE LE JOINT S'ÉTALE DE FACON RÉGULIÈRE.
6. FIXER L'OUVRANT SUR LES CHARNIÈRES ET BOULONNER AVEC DEUX BOULONS DE 6MM CHACUNE DES CHARNIÈRES. (UTILISER LES PLAQUES DE RENFORT FOURNIES AVEC LES CHARNIÈRES POUR RÉPARTIR LA PRESSION SOUS LE PONT.)
7. S'ASSURER QUE L'OUVRANT FONCTIONNE CORRECTEMENT. OUVERTURE, VERROUILLAGE, PRESSION IDENTIQUE SUR L'ENSEMBLE DU PANNEAU, ÉLIMINER L'EXCÉDENT DE JOINT D'ÉTANCHÉITÉ.
8. UTILISER EXCLUSIVEMENT DES BOULONS POUR LES CHARNIÈRES, CAR DES VIS SERAIENT INSUFFISANTES.

LEWMAR "SUPERHATCH" – MONTERINGSANVISNINGAR

1. Placera luckan på en slät yta. Kontrollera att alla fästen går klara för radier i däck.
2. Markera den inre nedre kanten på basramen med en blyertspenna.
Obs : A) Det är viktigt att basramen placeras vågrätt mot lucköppningen.
B) För seriemontering rekommenderar vi en sågmall.
3. Skär ut efter pennlinjen med en passande sticksåg etc...För ramar med fläns måste man ha 3 mm extra hålupptagning.
4. Placera basramen över hålet och borra två hål i basramen, i motsatta hörn, med en 5 mm borr. Skruva fast basramen i dessa två hål med 2 x M5 FS skruvar. Borra symmetriska hål 5 mm och de två gångjärnshålen 7 mm i ramen.
5. Tag bort ramen, gör rent från borrester, stryk på tätningssmassa på undersidan av basramen och skruva fast ordentligt, från mitten och ut mot kanterna, med M5 skruvar. Se till att tätningssmassan trycks ut jämnt från ramen.
6. Haka på överdelen och skruva fast med 2 x M6 FS bultar i varje gångjärn. (Använd underläggsbrickorna som finns med under varje gångjärn för att sprida eventuell belastning på undersidan.)
7. Kontrollera att locket fungerar ordentligt. Öppning/stängning, jämnt tryck på tätningen etc. . . . Torka bort överflödigt tätningssmassa.
8. Bultar måste användas för gångjärnen, det räcker inte med skruvar.

Please Turn Over

LEWMAR

Trimline Hatch Fitting & Adjustment Instructions

(To be retained in owners manual for future reference)

Trimline hatches are for use on all craft types in accordance with **ISO/DIS 12216.2(E), DESIGN CAT "A", AREAS II, III and IV**. Modification of the hatch by the fitting of vents etc. will invalidate the compliance with this standard.

Fitting Instructions

Trimline hatches should be fitted to a flat surface with a maximum tolerance of +/- 1mm and a deck / hull thickness of 15-61mm. Check that all fastenings will be clear of deck moulding radii etc. Allow clearance for lid opening.

Mark the deck with a pencil around the outside edge of the lower frame flange.
It is essential that the lower frame is placed square on the deck opening.
When fitting a number of hatches it is advisable to prepare a template.

Cut out deck along pencil line using a suitable saw.

Where the deck is of composite construction, it is recommended that the exposed laminate be sealed with the appropriate material prior to fitting the hatch. Openings cut in metal decks should have all burrs and sharp edges removed.

Hatches should not be considered as stiffening members and it is recommended that the deck be adequately stiffened to prevent distortion during heavy weather.

Re-check the frame on aperture and then apply bedding compound to the channel in lower frame. Bedding compound must have good adhesive qualities (eg. silicone sealant), be a suitable grade for marine sealing applications, of 3mm minimum thickness and compressible to allow the lower frame to be pulled down in contact with the deck by the securing screws.

Position lower frame over hole and drill two fixing screw holes in opposite corners. Insert appropriate stainless steel fasteners.(see below).

Deck type

Wood	M5 through bolts or marine grade wood screws.
GRP/Steel/Al Alloy	M5 through bolts or machine screws into suitable tapped plates.
Fixing Sizes	M5, 10UNC, 2BA, 3/16", Wood screws (min. length 40mm).

Drill remainder of holes and fasten down from the centre working out to the edges. Clean off surplus sealant.

Once installed check for correct operation of the hatch lid, ie. closing/locking, even pressure of seal etc.

Please Turn Over

User Notes

Opening of the hatch beyond the limit of the stays for maintenance etc. is possible by removing the rubber bung stop. Gently lever the bung stop out. Supporting the lid, disengage the stay from the lower frame and lay the lid back to approximately 145 degrees, until the upper frame is resting on the deck.

During normal usage, the stays should remain engaged at all times.

Do not force the lid back or apply pressure as damage will occur to the hatch.

The locking ventilation position is used by closing the handles into the rebate in the lower frame. Care should be taken not to stand on or load the hatch lid in this position, as damage could occur to the handle or catch block.

Always wash the hatch with soap, water and a soft cloth.

Never use abrasive or solvent cleaners on the acrylic lid, as this may at a later date damage the acrylic.

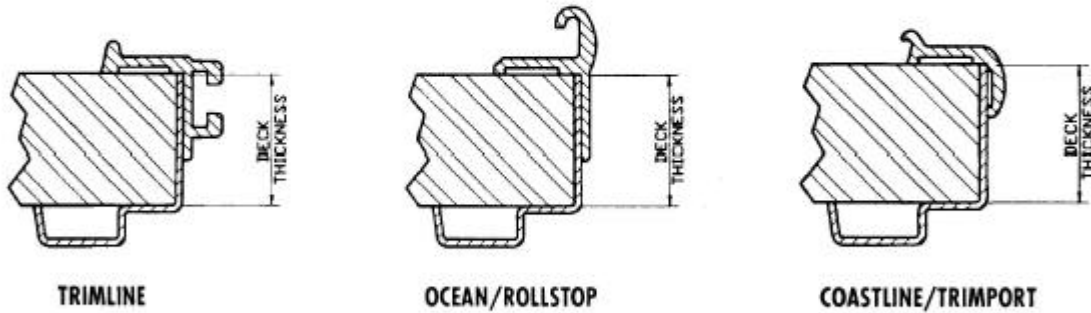
To avoid risk of injury care should be taken to keep hands and limbs clear of stay and lid pinch zones while operating and adjusting the hatch.

Please Turn Over

LEWMAR TRIM & FLYSCREEN - FITTING INSTRUCTIONS

1. Adjust the trim moulding to suit your deck thickness, see fig 1 below, by cutting the inner edge only.

FIG.1



2. Affix over hatch frame flange, and drill through holes in trim Dia. 4mm or 5/32".
3. Assemble the lock and spacer by placing together, see fig. 2. Place this assembly on the trim and fasten with the screws provided, tighten screws, but ensure the lock can still swivel.

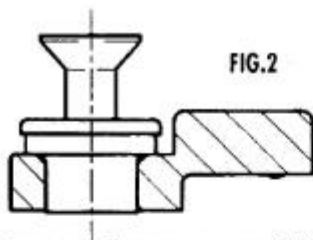


FIG.2

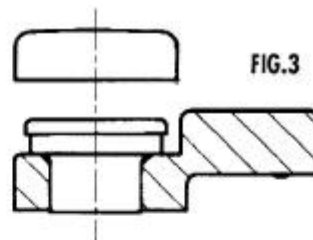


FIG.3

Press on all screws caps, fig.3.

4. The flyscreen is held by placing its mesh face towards the trim and rotating the locks 45 degrees to hold, see fig.4.

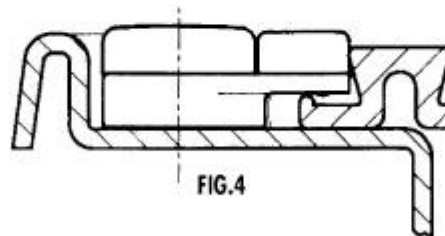
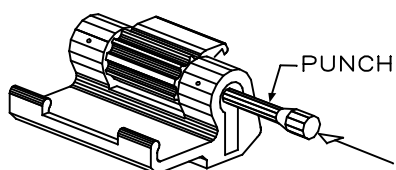


FIG.4

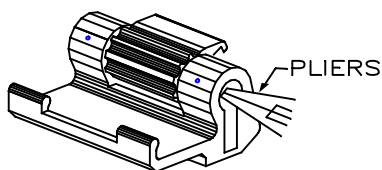
USER NOTES

- * Use soapy water and a soft cloth. Do not under any circumstances use solvent cleaners.
- * When the flyscreen is not in use, place in a safe area to protect the mesh.

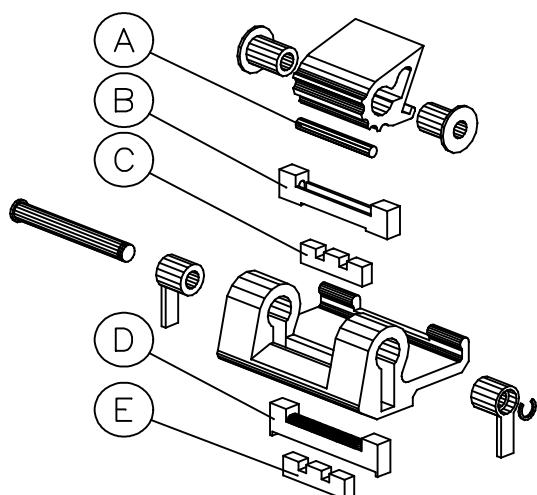
HINGE REPLACEMENT ROLLSTOP (SIZES 10,20)
(Pt 10mm HOLE ON HINGE UPPER)



1. With hatch closed use a 5mm diameter punch to knock through the hinge pin.
Note: A heavy soft headed mallet is best used to hit the punch.



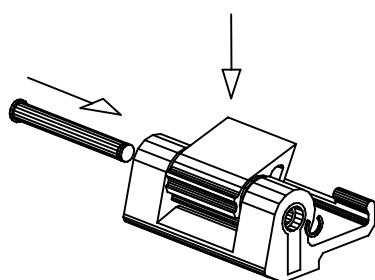
2. Repeat with second hinge, and remove hatch upper. Clean the hinges removing all the old components.



3. Note how the components are assembled, and that parts A,B,&C are replaced by two parts D&E.

Assemble the buffer to the follower and put into the lower hinge. Push the two headed bushes into the upper hinge and the two endcaps into the ends of the lower hinge. Discard parts A,B&C

NOTE USE:
Green Buffer – size 10&20 hatch
NOTE: Downward pressure is needed on the follower when pushing endcaps in place



4. With the hatch upper in the open position, match the upper and lower hinges together. Pushing down on the top of the hatch push the steel hinge pin through the hinge. Repeat with the second hinge.

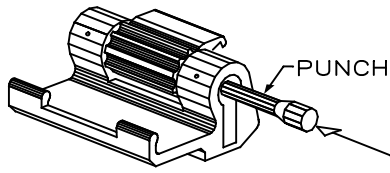
HATCH SIZE	OVERALL DIMENSIONS
10	324 x 324mm
20	266 x 411mm

5. Push the small circlip onto the end of the steel pin, ensuring it is properly located onto the groove on the pin. Two small screwdrivers are best for this. Repeat for the second pin. Check the operation of the hatch.

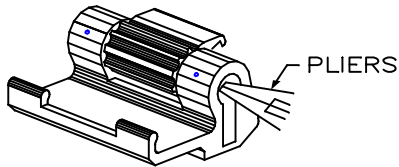
NOTE (1) If hatch cannot be opened fully assemble in closed position
(2) To aid alignment when pushing hinge pin in use a punch or screwdriver first

[PLEASE TURN OVER]

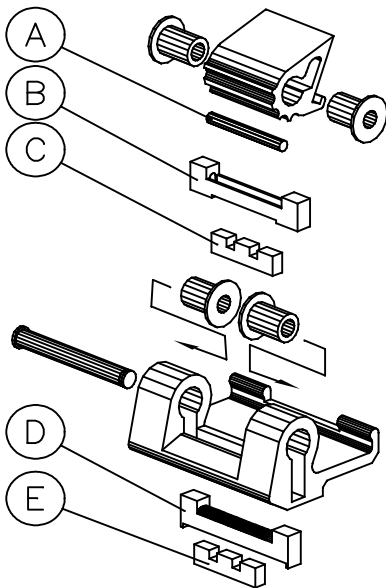
ALTERNATIVE HINGE REPLACEMENT FOR USE WITH MK1 ASSEMBLY
Pt 8mm HOLE ON HINGE UPPER)



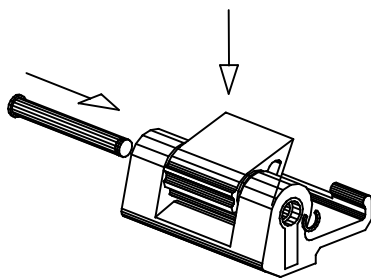
1. With hatch closed use a 5mm diameter punch to knock through the hinge pin.
Note: A heavy soft headed mallet is best used to hit the punch.



2. Repeat with second hinge, and remove hatch upper. Clean the hinges removing all the old components.



3. Note how the components are assembled, and that parts A,B,&C are replaced by two parts D&E. Assemble the buffer to the follower and put into the lower hinge. Push two headed bushes into the upper hinge and two headed bushes into the lower hinge as shown. Discard parts A,B&C
NOTE USE:
Green Buffer – size 10&20 hatch
NOTE: Downward pressure is needed on the follower when pushing endcaps in place



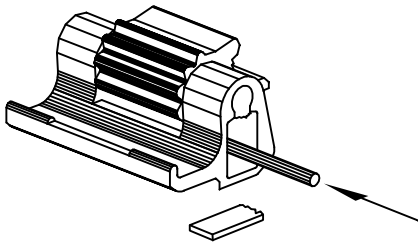
4. With the hatch upper in the open position, match the upper and lower hinges together. Pushing down on the top of the hatch push the steel hinge pin through the hinge. Repeat with the second hinge.

5. Push the small circlip onto the end of the steel pin, ensuring it is properly located onto the groove on the pin. Two small screwdrivers are best for this. Repeat for the second pin.
Check the operation of the hatch.

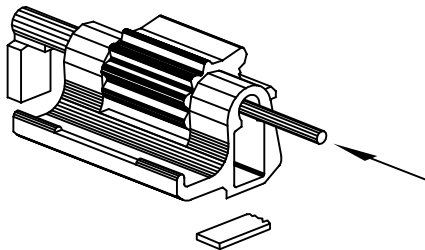
NOTE (1) If hatch cannot be opened fully assemble in closed position
(2) To aid alignment when pushing hinge pin in use a punch or screwdriver first

[PLEASE TURN OVER]

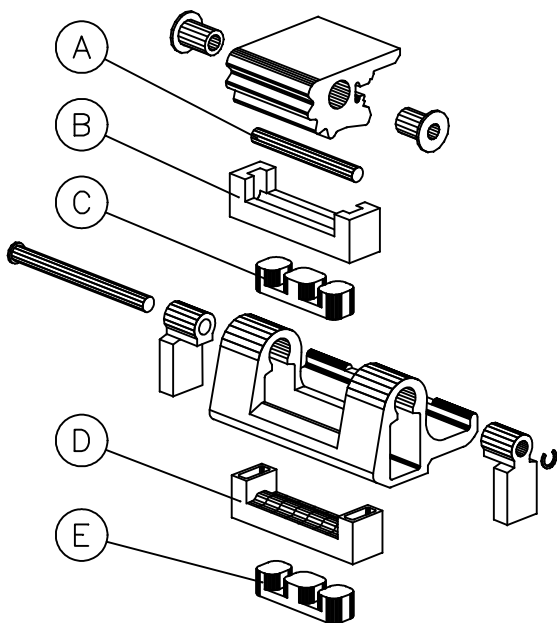
Rollstop Hinge replacement (Size 50,60,65,70)
(Instructions for 7822 & 7823 hinge kits)



1. Open hatch fully to 180°
Use a suitable drift and mallet to break off plastic tab.



2. Drive out hinge pin with drift and mallet. Repeat with other hinges, and remove hatch upper. Clean the hinges removing all the old components.



3. Note how the components are assembled, and that parts A,B,&C are replaced by two parts D&E. Assemble the buffer to the follower and put into the lower hinge. Push the two headed bushes into the upper hinge and the two sleeves into the ends of the lower hinge.

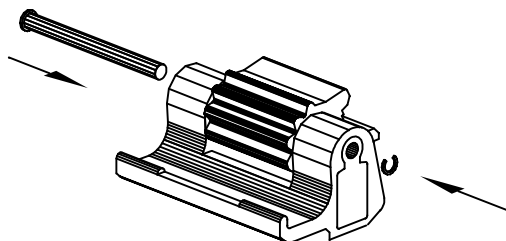
Discard parts A,B&C

NOTE USE:

Buffer painted green on bottom surface only with this kit

Vaseline should be applied to the follower and the cams on the upper hinge.

4. With the hatch upper in the fully open position, match the upper and lower hinges together. Insert the steel hinge pin through the hinge. Repeat with the other hinges.



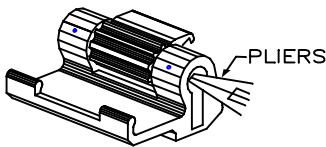
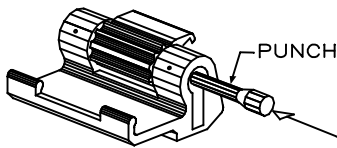
5. Push the small circlip onto the end of the steel hinge pin, ensuring it is properly located onto the groove of the pin. Two small screwdrivers are best for this. Repeat for the other hinges. Check the operation of the hatch.

Routine Maintenance

If excessive stiffness is experienced in opening or closing the hatch, the hinge must be cleaned and lubricated, otherwise damage to the hatch can occur. This maintenance will result in continued good performance from your hatch.

HINGE REPLACEMENT ROLLSTOP (SIZES 30 & 40)

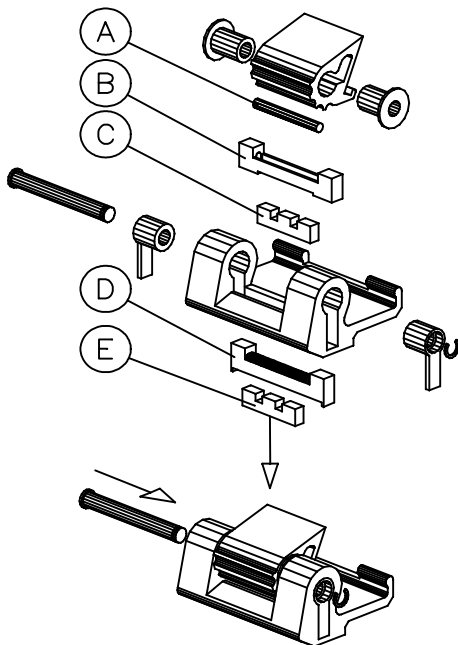
(For cat. No. 7847)



With the hatch closed use a 5mm diameter punch to knock through the hinge pin.
Note: A heavy soft headed mallet is best used to hit the punch.

Repeat with the second hinge, and remove the hatch upper. Clean the hinges removing all the old components.

Note how the components are assembled, and that parts A,B&C are replaced by two parts D&E.



Apply grease liberally to the rubber buffer (E), the cam follower (D) and the splines of the upper hinge.

WARNING:— Failure to grease these components could result in premature failure of the hatch.

Grease the lower hinges.

Assemble the buffer to the follower and put into the lower hinge. Push the two headed bushes into the upper hinge and the two sleeves into the ends of the lower hinge.

Discard parts A,B&C.

With the hatch upper in the open position, match the upper and lower hinges together.

Push the steel hinge pin through the hinge. Repeat with the second hinge.

Push the small circlip onto the end of the steel pin, ensuring it is located onto the groove of the pin. Two small screwdrivers are best for this. Repeat with the second hinge.

Cycle the hatch a minimum of three times between the 180° and 90° positions before fully closing the hatch.

If excessive force is required to initially operate the hatch to the 90° position, remove the hatch upper and check the assembly.

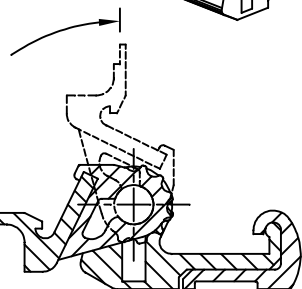
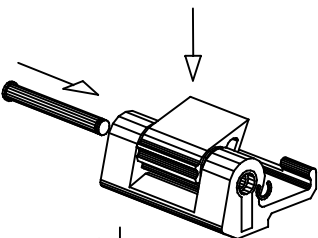
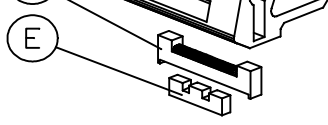
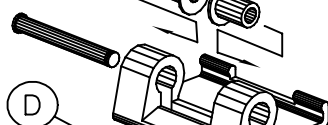
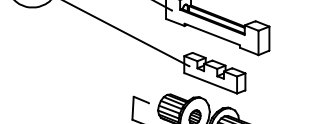
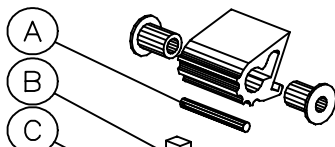
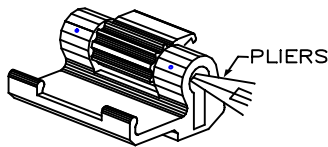
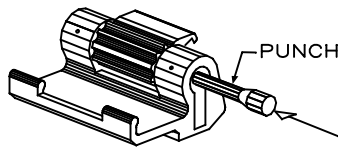
Apply more grease before re-assembly.

HATCH SIZE	OVERALL DIMENSION
30	391 x 521
40	485 x 485

PLEASE TURN OVER

(SIZES 30 & 40 WITH 8mm HOLE ON HINGE UPPER)

(For cat. No. 7847)



With the hatch closed use a 5mm diameter punch to knock through the hinge pin.
Note: A heavy soft headed mallet is best used to hit the punch.

Repeat with the second hinge, and remove the hatch upper. Clean the hinges removing all the old components.

Note how the components are assembled, and that parts A,B&C are replaced by two parts D&E.

Apply grease liberally to the rubber buffer (E), the cam follower (D) and the splines of the upper hinge.

WARNING:— Failure to grease these components could result in premature failure of the hatch.

Grease the lower hinges.

Assemble the buffer to the follower and put into the lower hinge. Push the two headed bushes into the upper hinge and two headed bushes into the lower hinge as shown

Discard parts A,B&C.

NOTE: Downward pressure is needed on the follower when pushing endcaps in place

With the hatch upper in the open position, match the upper and lower hinges together.

Push the steel hinge pin through the hinge. Repeat with the second hinge.

Push the small circlip onto the end of the steel pin, ensuring it is located onto the groove of the pin. Two small screwdrivers are best for this. Repeat with the second hinge.

Cycle the hatch a minimum of three times between the 180° and 90° positions before fully closing the hatch.

If excessive force is required to initially operate the hatch to the 90° position, remove the hatch upper and check the assembly. Apply more grease before re-assembly.

NOTE!

- (1) If hatch cannot be opened fully, assemble in closed position.
- (2) To aid alignment when pushing hinge pin in, use a punch or screwdriver first.

HATCH SIZE	OVERALL DIMENSION
30	391 x 521
40	485 x 485

PLEASE TURN OVER

LEWMAR

Trimport / Coastline Fitting & Adjustment Instructions

(To be retained in owners manual for future reference)

Trimport and Coastline hatches are for use on deck and coachroof of yachts in accordance with **ISO/DIS 12216.2(E), DESIGN CAT "A", AREAS II, III and IV**. Modification of the hatch by the fitting of vents etc. will invalidate the compliance with this standard.

Fitting Instructions

Trimport and Coastline hatches should be fitted to a flat surface with a maximum tolerance of +/- 1mm and a deck / hull thickness of 15-61mm. Check that all fastening will be clear of deck moulding radii etc. Allow clearance for lid opening.

Do not open and close the hatch more than necessary until the lower frame is securely mounted.

Mark the deck with a pencil around the outside edge of the lower frame flange.

It is essential that the lower frame is placed squarely on the deck opening.

When fitting a number of hatches it is advisable to prepare a template.

Cut out deck along pencil line using a suitable saw.

Where the deck is of composite construction, it is recommended that the exposed laminate be sealed with the appropriate material prior to fitting the hatch. Openings cut in metal decks should have all burrs and sharp edges removed.

Hatches should not be considered as stiffening members and it is recommended that the deck be adequately stiffened to prevent distortion during heavy weather.

Re-check the frame on aperture and then apply bedding compound to the channel in lower frame. Bedding compound must have good adhesive qualities (eg. silicone sealant), be a suitable grade for marine sealing applications, of 3mm minimum thickness and compressible to allow the lower frame to be pulled down in contact with the deck by the securing screws.

Position lower frame over hole and drill two fixing screw holes in opposite corners. Insert appropriate stainless steel fasteners.(see below).

Deck type

Wood	M5 through bolts or marine grade wood screws.
GRP/Steel/Al Alloy	M5 through bolts or machine screws into suitable tapped plates.
Fixing Sizes	M5, 10UNC, 2BA, 3/16", Wood screws (min. length 40mm).

Drill remainder of holes and fasten down from the centre working out to the edges. Clean off surplus sealant.

Once installed check for correct operation of the hatch lid, ie. closing/locking, even pressure of seal etc.

Please Turn Over

User Notes

Small "vent" hatches are restricted to 90 degree opening and should not be forced beyond their "stop" position, as damage to the lever mechanism may occur. Larger hatches are not self supporting beyond the vertical position and will fall fully open if unrestrained.

The locking ventilation position is used by closing the handles into the catch block centre slot. Care should be taken not to stand on or load the hatch lid in this position, as damage could occur to the handle or catch block.

Always wash the hatch with soap, water and a soft cloth.

Never use abrasive or solvent cleaners on the acrylic lid, as this may at a later date damage the acrylic.

To avoid risk of injury care should be taken to keep hands and limbs clear of lever and lid pinch zones while operating and adjusting the hatch.

Friction lever adjustment

The friction lever units installed are pre-set when manufactured to give correct positioning with a minimum opening load. It may be necessary occasionally to adjust the lever setting to correct the operation of the hatch.

Adjustment is made by means of the socket head screws on either side of the lever assembly.

Using a 4mm (5/32") hexagon key, turn the adjusting screw approximately 1/8th of a turn in a clockwise direction to increase the positioning force. This is most easily carried out in the fully open or closed positions.

***Do not over tighten the adjusting screws
On hatches with multiple lever units, care must be taken to adjust all levers to a similar loading.***

Open the hatch and check for correct operation.

Re-adjust if necessary until the desired operation is achieved.

Lubricants should not be used on the friction lever assemblies as this will adversely affect the function of the units.

[Please Turn Over](#)

LEWMAR

Ocean Hatch Fitting & Adjustment Instructions

(To be retained in owners manual for future reference)

Ocean hatches are for use on all craft types in accordance with **ISO/DIS 12216.2(E), DESIGN CAT "A", AREAS II, III and IV**. Modification of the hatch by the fitting of vents etc. will invalidate the compliance with the standard.

Fitting Instructions

Ocean hatches should be fitted to a flat surface with a maximum tolerance of +/- 1mm and a deck / hull thickness of 25-70mm (flanged version only). Check that all fastenings will be clear of deck moulding radii etc. Allow clearance for lid opening.

Do not open and close the hatch more than necessary until the lower frame is securely mounted.

Mark the deck with a pencil around the inside edge of the lower frame. For hatches with a lower frame flange, increase the aperture size by 3mm all around.

It is essential that the lower frame is placed square on the deck opening.

When fitting a number of hatches it is advisable to prepare a template.

Cut out deck along pencil line using a suitable saw.

Where the deck is of composite construction, it is recommended that the exposed laminate be sealed with the appropriate material prior to fitting the hatch. Openings cut in metal decks should have all burrs and sharp edges removed.

Hatches should not be considered as stiffening members and it is recommended that the deck be adequately stiffened to prevent distortion during heavy weather.

Re-check the frame on aperture and then apply bedding compound to the channel in lower frame. Bedding compound must have good adhesive qualities (eg. silicone sealant), be a suitable grade for marine sealing applications, of 3mm minimum thickness and compressible to allow the lower frame to be pulled down in contact with the deck by the securing screws.

Position lower frame over hole and drill two fixing screw holes in opposite corners. Insert appropriate stainless steel fasteners.(see below).

Deck type

Wood	M5 through bolts or marine grade wood screws.
GRP/Steel/Al Alloy	M5 through bolts or machine screws into suitable tapped plates.
Fixing Sizes	M5, 10UNC, 2BA, 3/16", Wood screws (min. length 40mm).
Hinge Fixings	M6 or 1/4" through bolts only.

Drill remainder of holes and fasten down from the centre working out to the edges. Clean off surplus sealant.

Through bolts should be used where fixings pass through lower hinges (M6 or 1/4" only).

Once installed check for correct operation of the hatch lid, ie. closing/locking, even pressure of seal etc.

[Please Turn Over](#)

User Notes

Small "vent" hatches are restricted to 90 degree opening and should not be forced beyond their "stop" position, as damage to the lever mechanism may occur. Larger hatches are not self supporting beyond the vertical position and will fall fully open if unrestrained.

The locking ventilation position is used by closing the handles into the catch block centre slot. Care should be taken not to stand on or load the hatch lid in this position, as damage could occur to the handle or catch block.

Always wash the hatch with soap, water and a soft cloth.

Never use abrasive or solvent cleaners on the acrylic lid, as this may at a later date damage the acrylic.

To avoid risk of injury care should be taken to keep hands and limbs clear of lever and lid pinch zones while operating and adjusting the hatch.

Backing plates are available separately to offer a quick solution to through bolting the hinge units neatly.

<u>Catalogue No.</u>	<u>Thread Size</u>
3669913999	M6
3669914999	1/4" UNC

Friction lever adjustment

The friction lever units installed on Ocean hatches are pre-set when manufactured to give correct positioning with a minimum opening load. It may be necessary occasionally to adjust the lever setting to correct the operation of the hatch.

Adjustment is made by means of the socket head screws on either side of the lever assembly.

Using a 4mm (5/32") hexagon key, turn the adjusting screw approximately 1/8th of a turn in a clockwise direction to increase the positioning force. This is most easily carried out in the fully open or closed positions.

***Do not over tighten the adjusting screws
On hatches with multiple lever units, care must be taken to adjust all levers to a similar loading.***

Open the hatch and check for correct operation.

Re-adjust if necessary until the desired operation is achieved.

Lubricants should not be used on the friction lever assemblies as this will adversely affect the function of the units.

[Please Turn Over](#)

LEWMAR
Concept Hatch Fitting & Adjustment Instructions

(To be retained in owners manual for future reference)

Concept hatches are for use on power craft in accordance with **ISO/DIS 12216.2(E), DESIGN CAT "A", AREAS II**. Modification of the hatch by the fitting of vents etc. will invalidate the compliance with this standard.

Fitting Instructions

Concept hatches should be fitted to a flat surface with a maximum tolerance of +/- 1mm and a deck / hull thickness of 20-40mm. Check that all fastening will be clear of deck moulding radii etc. Allow clearance for lid opening.

Mark the deck with a pencil around the outside edge of the frame flange.
It is essential that the frame is a snug fit and placed squarely on the deck opening.
When fitting a number of hatches it is advisable to prepare a template.

Cut out deck along pencil line using a suitable saw.
Where the deck is of composite construction, it is recommended that the exposed laminate be sealed with the appropriate material prior to fitting the hatch. Openings cut in metal decks should have all burrs and sharp edges removed.
Hatches should not be considered as stiffening members and it is recommended that the deck be adequately stiffened to prevent distortion during heavy weather.

Re-check the frame on aperture and then apply bedding compound to the channel in lower frame. Bedding compound must have good adhesive qualities (eg. silicone sealant), be a suitable grade for marine sealing applications, of 3mm minimum thickness and compressible to allow the lower frame to be pulled down in contact with the deck by the securing screws.

Position lower frame over hole and drill two fixing screw holes in opposite corners. Insert appropriate stainless steel fasteners.(see below).

Deck type

Wood

M5 through bolts or marine grade wood screws.

GRP/Steel/Al Alloy

M5 through bolts or machine screws into suitable tapped plates.

Fixing Sizes

M5, 10UNC, 2BA, 3/16", Wood screws (min. length 40mm).

Drill remainder of holes and fasten down from the centre working out to the edges. Clean off surplus sealant.

Once installed check for correct operation of the hatch lid, ie. closing/locking, even pressure of seal etc.

User Notes

Concept hatches are restricted to 85 degree opening and should not be forced beyond their "stop" position, as damage to the linkage mechanism may occur.

Do not attempt to force the hatch closed or open when levers are locked as damage to the linkage mechanism will occur.

If the hatch is accidentally closed with the levers in the closed position, the shear pin between the small straight lever and the moulding will fail. The hatch can still be opened and closed but no positioning is possible. Remove the broken parts and replace to rectify.

To adjust the lid opening position, support the lid whilst moving the locking levers to the unlocked position. Position the lid, ensuring that the mechanism is correctly aligned when re-locking the levers. This can be readily felt by moving the lid slightly.

Locking levers should remain in the unlocked position when the hatch is closed to prevent accidental damage when opening.

The ventilation position is used by closing the handles into the rebate in the lower frame. Care should be taken not to stand on or load the hatch lid in this position, as damage could occur to the handle or window assembly.

Do not lock the levers in the ventilation position.

The hatch must always be closed when the boat is in motion to prevent accidental damage.

Where used, the flyscreen is fitted by using the sewn on tabs to stretch it across the corners of the trim. Ensure that the elasticated bead is correctly located into the frame lip.

No adjustment to the hinge mechanism should be necessary during normal usage, however, if the operation of the locking levers becomes excessively stiff, the centre screw may be adjusted taking care to remove all free play.

Always wash the hatch with soap, water and a soft cloth.

Never use abrasive or solvent cleaners on the acrylic lid, as this may at a later date damage the acrylic.

To avoid risk of injury care should be taken to keep hands and limbs clear of linkage and lid pinch zones while operating and adjusting the hatch.

[Previous page](#) - Page 2 of 2

LEWMAR®

Concept Circular Hatch Fitting & Adjustment Instructions

(To be retained in owners manual for future reference)

Concept circular hatches are for use on power craft in accordance with **ISO/DIS 12216.2(E), DESIGN CAT "A", AREAS II, III and IV**. Modification of the hatch by the fitting of vents etc. will invalidate the compliance with this standard.

Fitting Instructions

Concept circular hatches should be fitted to a flat surface with a maximum tolerance of +/- 1mm and a deck / hull thickness of 20-40mm. Check that all fastenings will be clear of deck moulding radii etc. Allow clearance for lid opening.

Mark the deck with a pencil around the outside edge of the frame flange.

It is essential that the frame is a snug fit with the deck opening.

When fitting a number of hatches it is advisable to prepare a template.

Cut out deck along pencil line using a suitable saw.

Where the deck is of composite construction, it is recommended that the exposed laminate be sealed with the appropriate material prior to fitting the hatch. Openings cut in metal decks should have all burrs and sharp edges removed.

Hatches should not be considered as stiffening members and it is recommended that the deck be adequately stiffened to prevent distortion during heavy weather.

Re-check the frame on aperture and then apply bedding compound to the channel in lower frame. Bedding compound must have good adhesive qualities (eg. silicone sealant), be a suitable grade for marine sealing applications, of 3mm minimum thickness and compressible to allow the lower frame to be pulled down in contact with the deck by the securing screws.

Position lower frame over hole and drill all holes and fasten down with the appropriate stainless steel fasteners (see below). Start with those nearest the hinge, taking care not to damage the acrylic.

Deck type

Wood

GRP/Steel/Al Alloy

Fixing Sizes

M5 through bolts or marine grade wood screws.

M5 through bolts or machine screws into suitable tapped plates.

M5, 10UNC, 2BA, 3/16", Wood screws (min. length 40mm).

Once installed check for correct operation of the hatch lid, ie. closing/locking, even pressure of seal etc.

User Notes

Concept circular hatches are restricted to 85 degree opening and should not be forced beyond their "stop" position, as damage to the lever mechanism may occur.

The ventilation position is used by closing the handles into the rebate in the lower frame. Care should be taken not to stand on or load the hatch lid in this position, as damage could occur to the handle or window assembly.

The hatch must always be closed when the boat is in motion to prevent accidental damage.

Where used, the flyscreen is fitted by using the sewn on tabs to stretch it across to the poppers on the trim frame. Ensure that the elasticated bead is correctly located into the frame lip.

Always wash the hatch with soap, water and a soft cloth.

Never use abrasive or solvent cleaners on the acrylic lid, as this may at a later date damage the acrylic.

To avoid risk of injury care should be taken to keep hands and limbs clear of lever and lid pinch zones while operating and adjusting the hatch.

Friction lever adjustment

The friction lever units installed on Concept Circular hatches are pre-set when manufactured to give correct positioning with a minimum opening load. It may be necessary occasionally to adjust the lever setting to correct the operation of the hatch.

Adjustment is made by means of the socket head screws on either side of the lever assembly.

Using a 4mm (5/32") hexagon key, turn the adjusting screw approximately 1/8th of a turn in a clockwise direction to increase the positioning force. This is most easily carried out in the fully open or closed positions.

Do not over tighten the adjusting screws

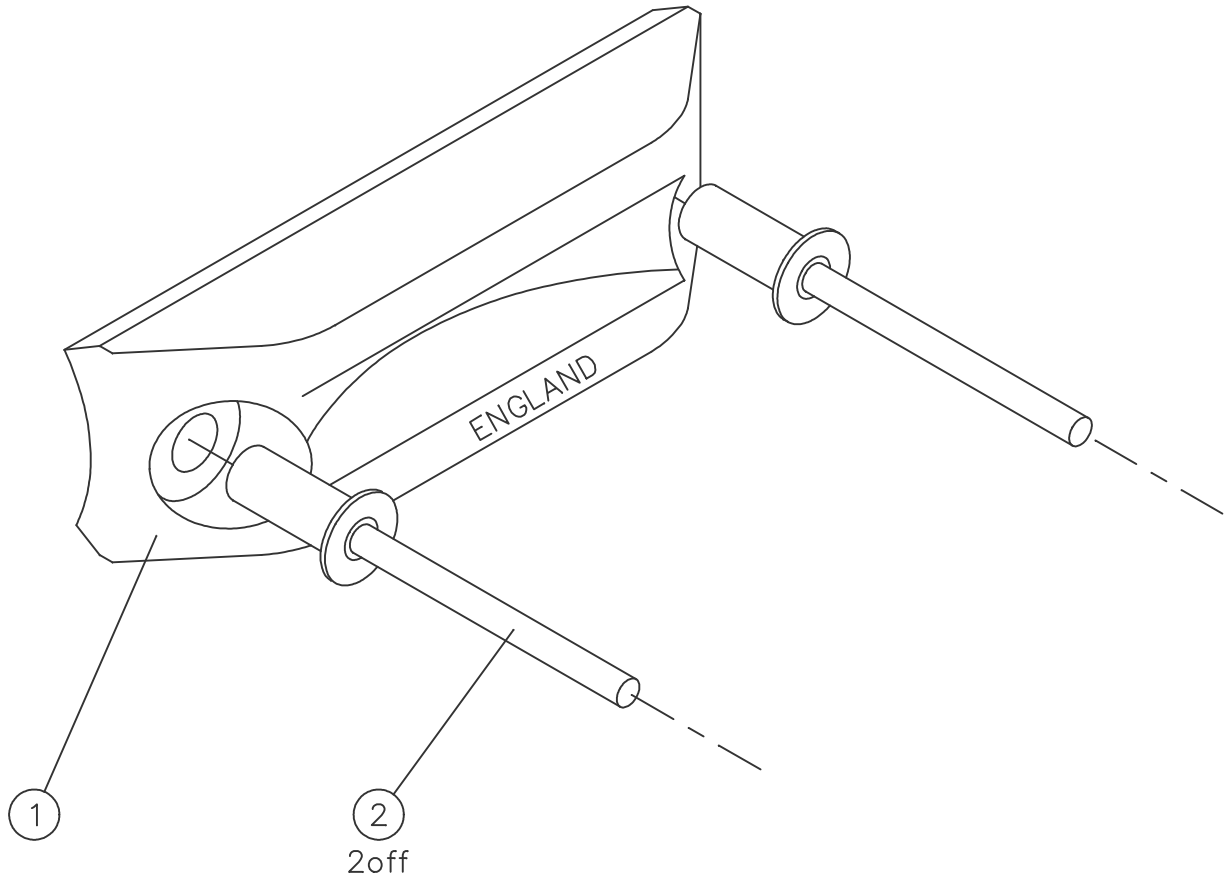
Open the hatch and check for correct operation.

Re-adjust if necessary until the desired operation is achieved.

Lubricants should not be used on the friction lever assemblies as this will adversely affect the function of the units.

[Previous Page](#) - [Page 2 of 2](#)

LEWMAR



KIT No.
36006099Z

Z = 0 FOR STANDARD GREY AND 1 FOR BENETEAU GREY

HATCH SPARE PARTS

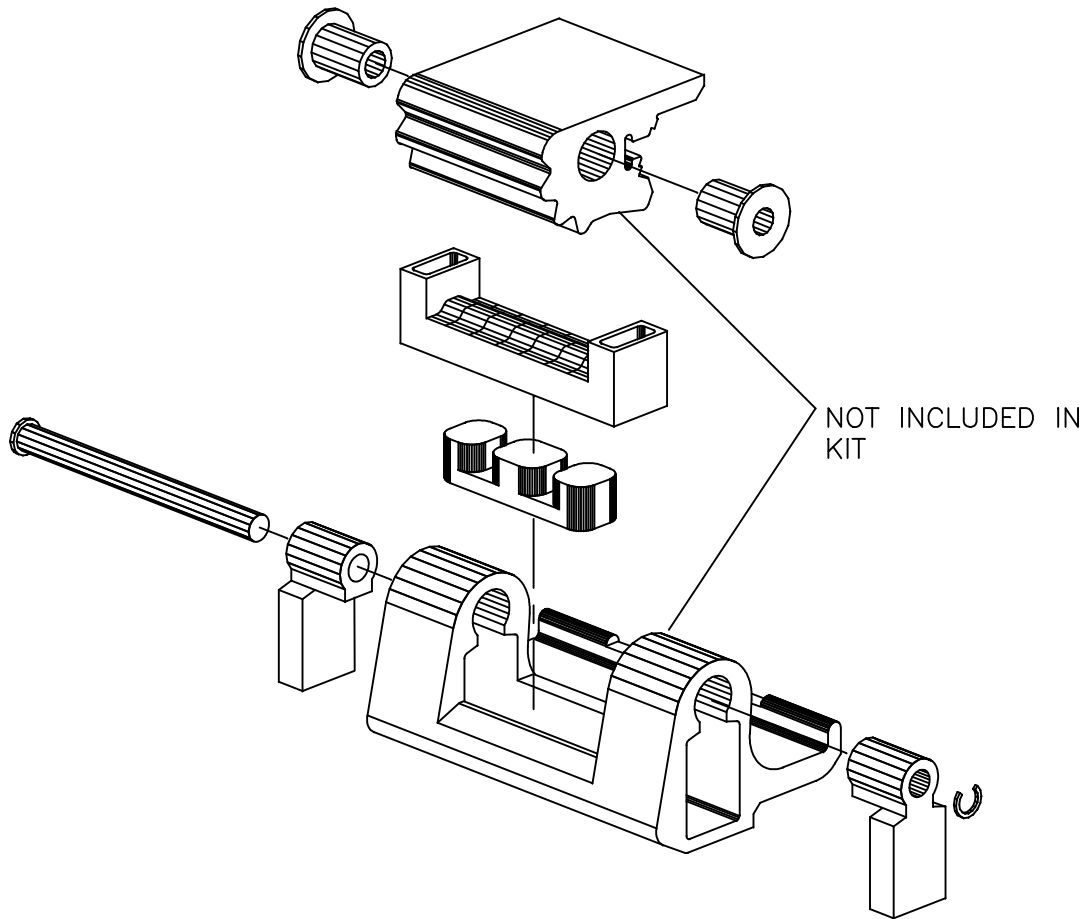
CATCH BLOCK

ISSUE 1.2

DATE 24-MAY-00

LEWMAR

B5521-3



HINGE KIT	HATCH SIZE
19784500	00
19784400	10 & 20
19784700	30 & 40
19782200	50 & 60
19782400	65
19782300	70

ROLLSTOP SPARE PARTS

HINGE KITS

ISSUE

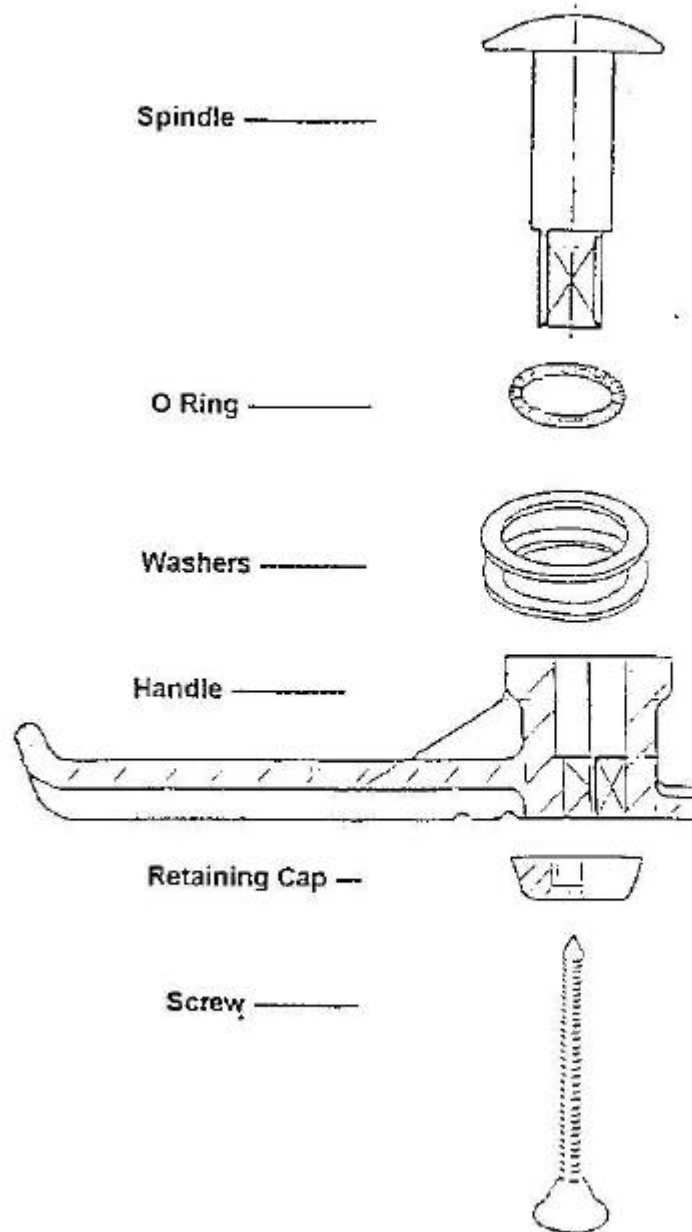
1.4

DATE

28-JUN-00

LEWMAR®

SUPERHATCH LEFT HANDLE KIT Part Number 360277991



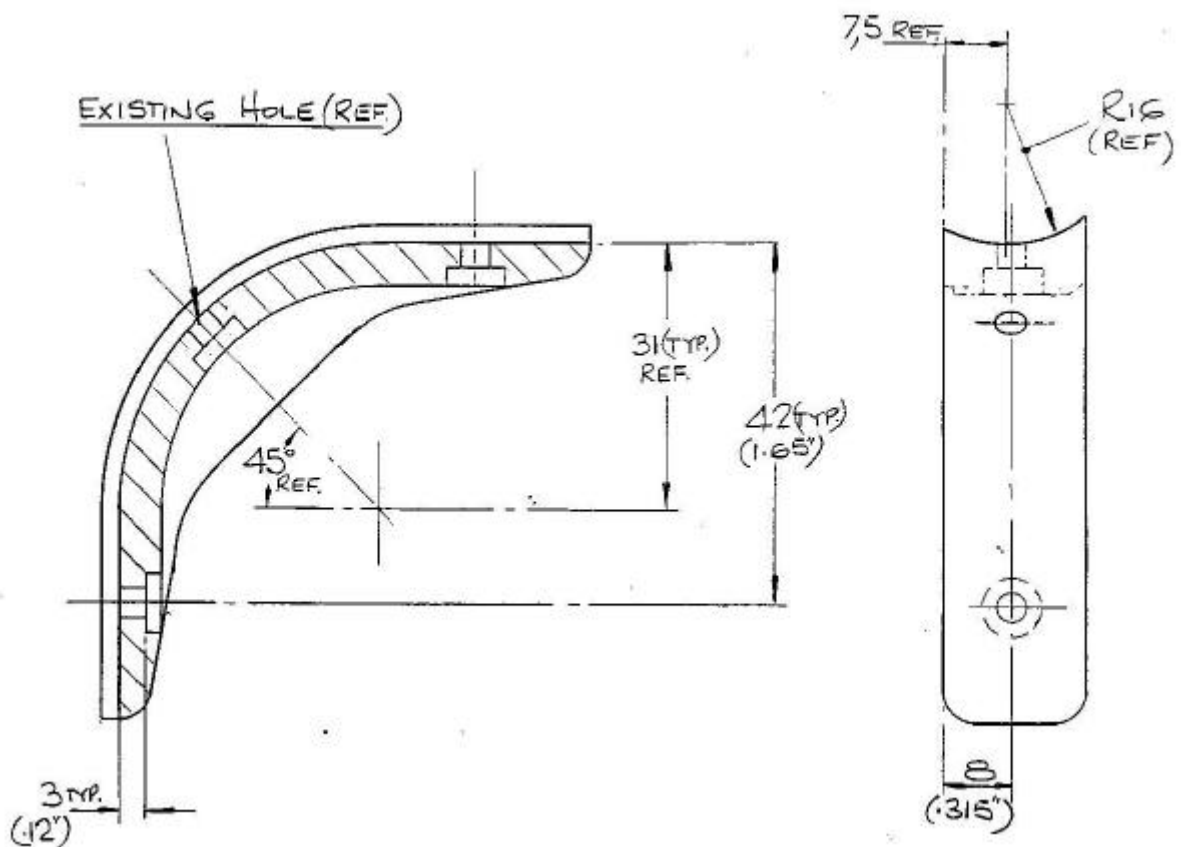
The left handle kit may also be used to replace the right handle, which is no longer available. When this is done the handles no longer mirror each other.

Production of Superhatches stopped in 1987 and only a limited range of spares is now available. If the hatch is damaged in the future it may be necessary to purchase a new hatch.

LEWMAR®

SUPERHATCH PLASTIC CORNER CATCH BLOCK

Part Number 360719999



Kit Contents:-

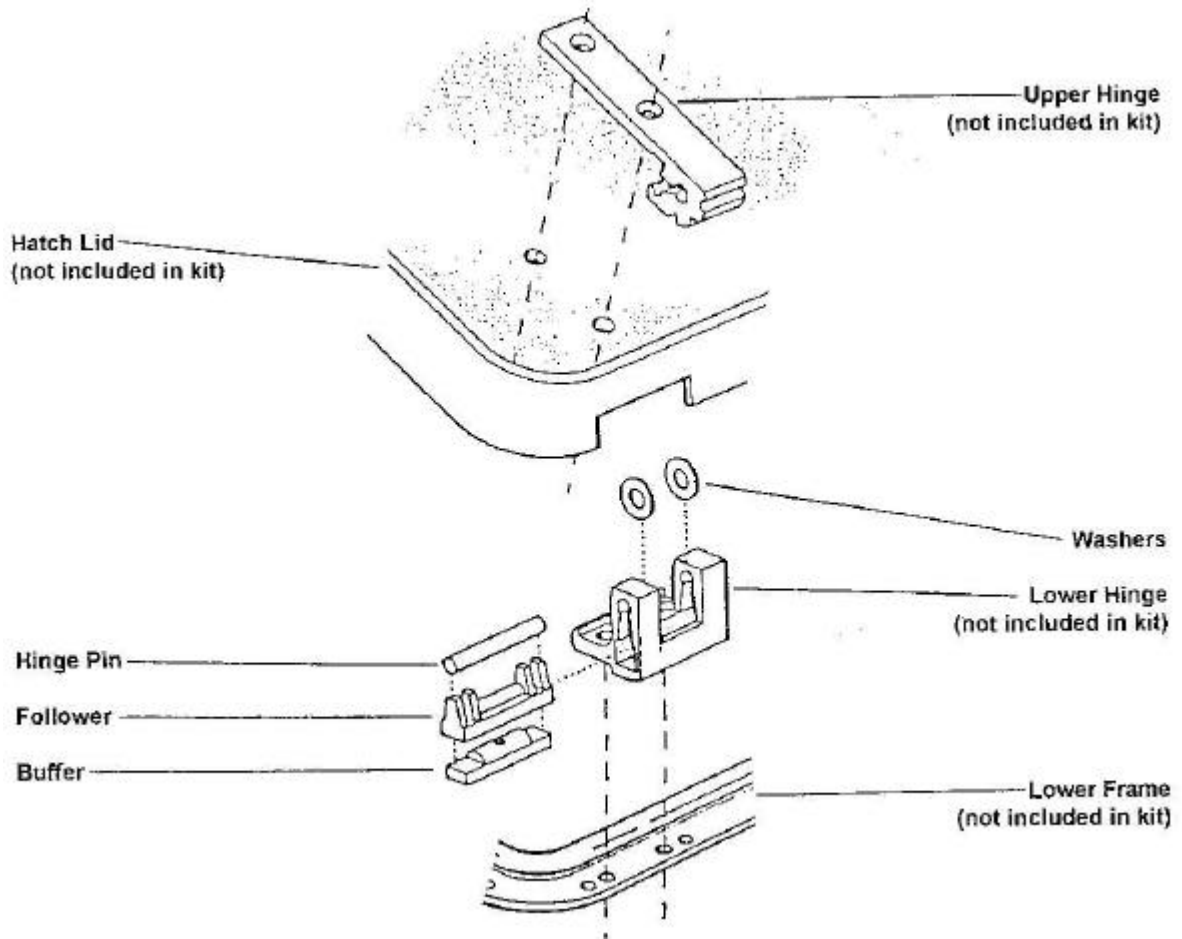
- 2 x Catch Blocks
- 4 x Rivets (not shown)

Larger Superhatches have a aluminium catch block available on p/n 15800179

Production of Superhatches stopped in 1987 and only a limited range of spares is now available. If the hatch is damaged in the future it may be necessary to purchase a new hatch.

LEWMAR®

SUPERHATCH HINGE KITS



Part Numbers:-

Size 30 :	361002999 (2 hinges)
Size 40 & 50 :	361003999 (2 hinges)
Size 60 :	361004999 (2 hinges)
Size 70 :	361005999 (3 hinges)

Kits contain replacement parts for all hinges on a hatch

Production of Superhatches stopped in 1987 and only a limited range of spares is now available. If the hatch is damaged in the future it may be necessary to purchase a new hatch.

LEWMAR®

SUPERHATCH SEAL KITS AND ACRYLIC/HINGE FASTENING

19781000	SH 0 PN 7810 SEAL KIT SPARE (Sz 20)
19781100	SH 1 PN 7811 SEAL KIT SPARE (Sz 30)
19781200	SH 2 PN 7812 SEAL KIT SPARE (Sz 50)
19781300	SH 3 PN 7813 SEAL KIT SPARE (Sz 60)
19781400	SH 4 PN 7814 SEAL KIT SPARE (Sz 70)
19781500	SH 5 PN 7815 SEAL KIT SPARE (Sz 40)
19781600	SH 6 PN 7816 SEAL KIT SPARE (Sz 6)
19781700	SH 7 PN 7817 SEAL KIT SPARE (Sz 10)
360265999	Acrylic/Upper Hinge Fastening (3 x Tappex Nut Insert & M6 x 20 Machine Screws)

Production of Superhatches stopped in 1987 and only a limited range of spares is now available. If the hatch is damaged in the future it may be necessary to purchase a new hatch.

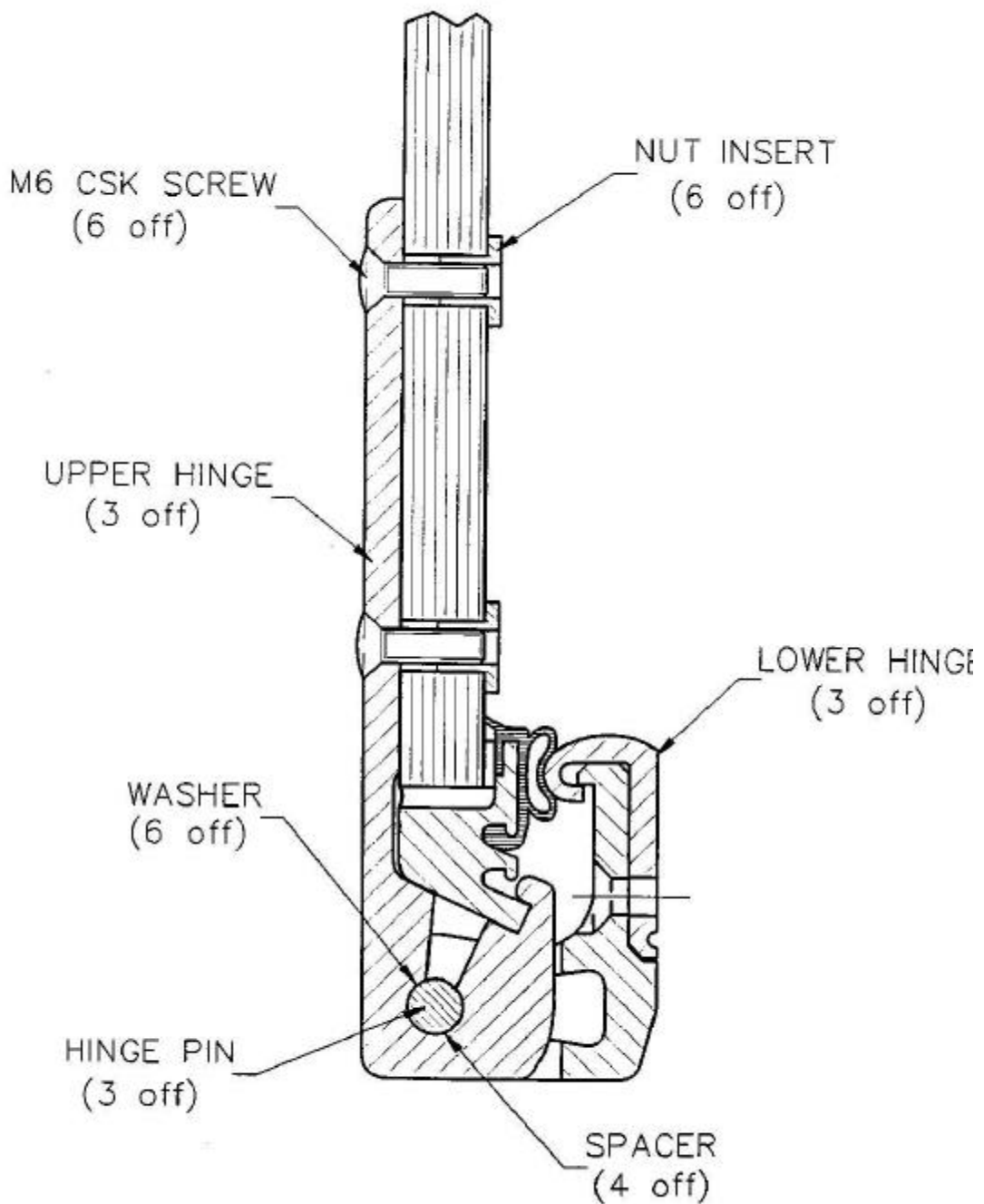
ROLLSTOP SEAL KITS

19783100	RS 10 SEAL KIT SPARE
19783200	RS 20 SEAL KIT SPARE
19783300	RS 30 SEAL KIT SPARE
19783400	RS 40 SEAL KIT SPARE
19783500	RS 50 SEAL KIT SPARE
19783600	RS 60 SEAL KIT SPARE
19783700	RS 70 SEAL KIT SPARE

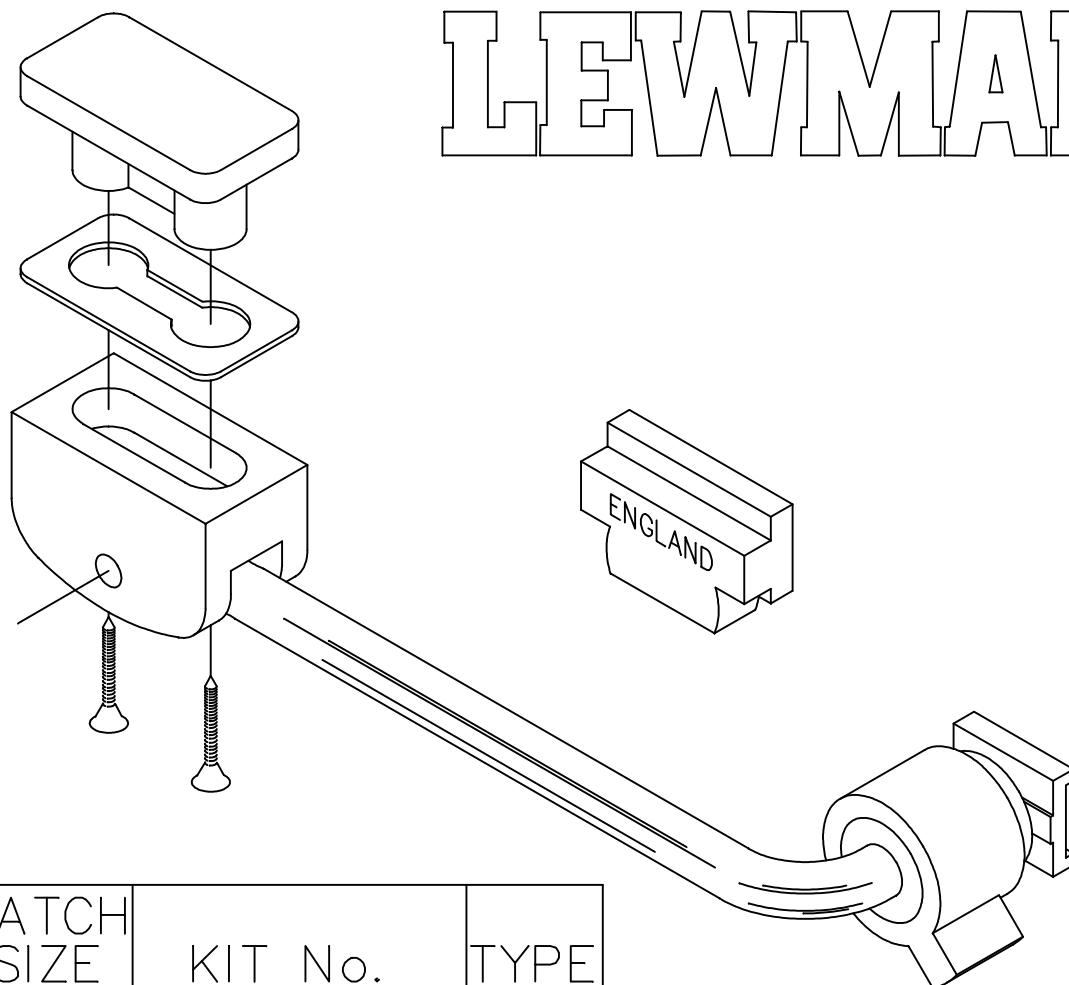
LEWMAR®

SIZE 6 HINGE PIN KIT

Part Number 360714999



LEWMAR



HATCH SIZE	KIT No.	TYPE
10	36007099Z	L.H.
30&35	36007199Z	L.H.
35	36007299Z	R.H.
40	36007399Z	L.H.
50	36007499Z	L.H.
60	36007599Z	L.H.
60	36007699Z	R.H.
70	36007799Z	L.H.
70	36007899Z	R.H.

Z = 0 FOR STANDARD GREY
AND 1 FOR BENETEAU GREY

TRIMLINE SPARE PARTS

STAY KITS

ISSUE

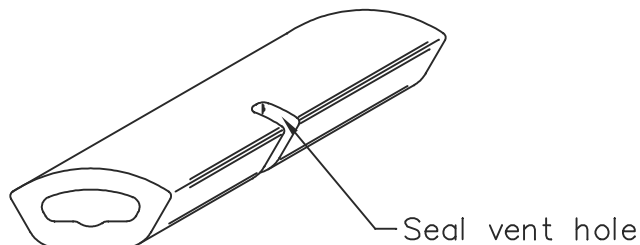
1.3

DATE

16-JUN-00

LEWMAR

B5539-2



KIT No.	HATCH	HATCH OVERALL SIZE REF.
360580999	SIZE 00	281 x 281
360583999	SIZE 10	330 x 330
360604999	SIZE 18	ROUND DIA 490
360584999	SIZE 20	417 x 272
360603999	SIZE 22	ROUND DIA 588
360595999	SIZE 30	527 x 397
360595999	SIZE 31	397 x 527 (SIDE HINGE)
360596999	SIZE 35	585 x 455
360597999	SIZE 40	491 x 491
360593999	SIZE 44	512 x 512
360598999	SIZE 45	577 x 491
360599999	SIZE 50	577 x 447
360594999	SIZE 54	577 x 462
360600999	SIZE 60	577 x 577
360601999	SIZE 65	TRAPEZOIDAL 675x559x560
360602999	SIZE 70	697 x 697

FITTING INSTRUCTIONS

Items required for seal replacement:

solvent based Contact adhesive for fixing seal into frame.

- 1 Remove the old seal by starting to lift the seal in one place and then pull it off all the way around. (a blunt scraper may help at this stage).
- 2 Remove any excessive adhesive remaining in the seal channel, taking care not to damage the frame.
- 3 Apply the contact adhesive sparingly all round the frame channel and firmly press the seal into the frame, ensuring that the seal vent hole is facing the inside of the hatch.
- 4 Check the seal is pushed fully into the frame channel all the way around.

TRIMLINE & COASTLINE SPARE PARTS

SEAL KITS

ISSUE

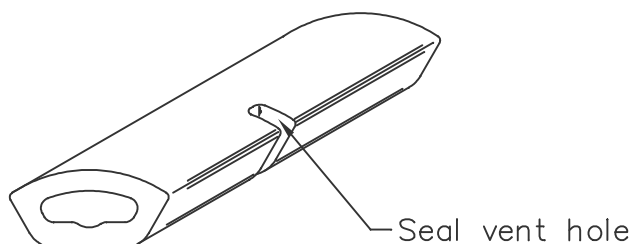
1.4

DATE

21.4.98

LEWMAR

B5540-1



KIT No.	HATCH	HATCH OVERALL SIZE
360580999	SIZE 00	281 x 281
360581999	SIZE 03	301 x 246
360582999	SIZE 05	330 x 246
360583999	SIZE 10	330 x 330
360584999	SIZE 20	417 x 272
360585999	SIZE 21	413 x 330
360586999	SIZE 23	425 x 201
360587999	SIZE 24	424 x 209
360588999	SIZE 33	554 x 259
360589999	SIZE 41	494 x 246
360590999	SIZE 52	557 x 301
360591999	SIZE 61	577 x 330

FITTING INSTRUCTIONS

Items required for seal replacement:

solvent based Contact adhesive for fixing seal into frame.

- 1 Remove the old seal by starting to lift the seal in one place and then pull it off all the way around. (a blunt scraper may help at this stage).
- 2 Remove any excessive adhesive remaining in the seal channel, taking care not to damage the frame.
- 3 Apply the contact adhesive sparingly all round the frame channel and firmly press the seal into the frame, ensuring that the seal vent hole is facing the inside of the hatch.
- 4 Check the seal is pushed fully into the frame channel all the way around.

TRIMPORT SPARE PARTS

SEAL KITS

ISSUE

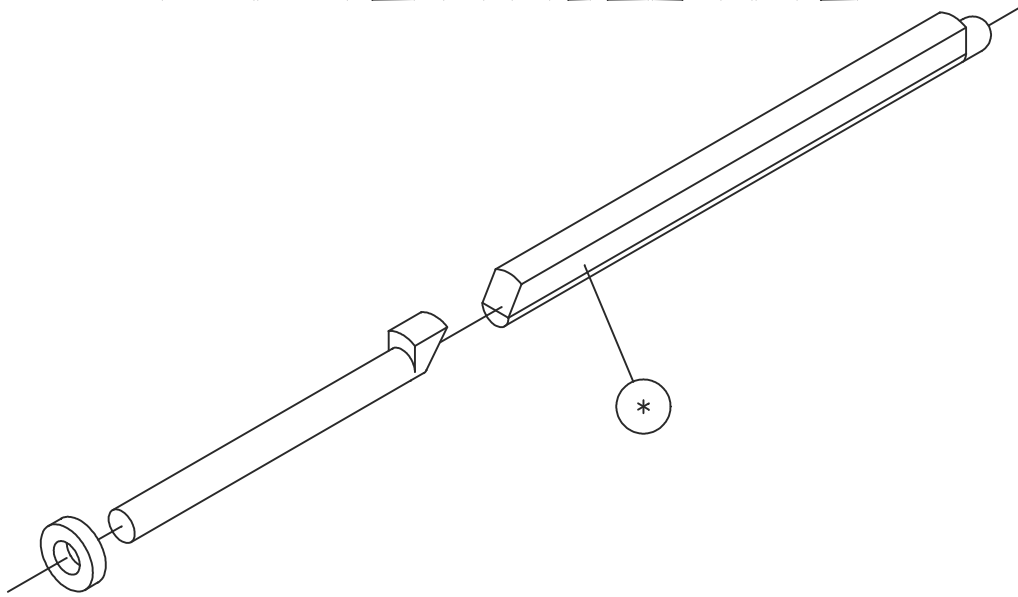
1.2

DATE

11.10.94

LEWMAR

B5541-1



* HINGE PLUG REQUIRES TRIMMING TO LENGTH ON SIZES 00 TO 23

KIT No.	HATCH SIZE
360087999	00 & 03
360088999	05 & 10
360089999	20,21 & 23
360090999	30 TO 70

TRIMLINE & TRIMPORT SPARE PARTS

HINGE PIN KITS

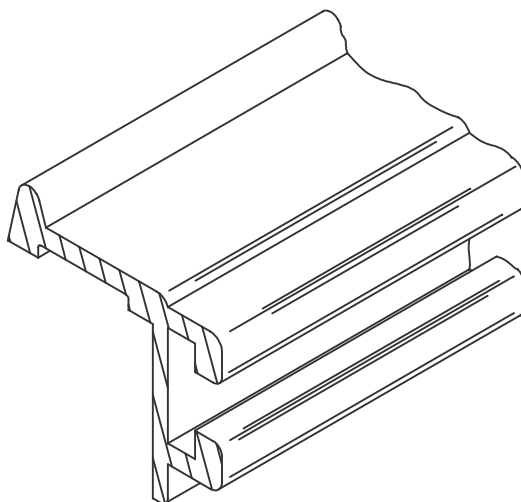
ISSUE

1.1

DATE

10.6.92

LEWMAR



KIT No.	HATCH	HATCH O-ALL SIZE REF.
3600949Y9	10	330 x 330
3600959Y9	30	527 x 397
3600969Y9	35	585 x 455
3600979Y9	40	491 x 491
3600989Y9	50	577 x 447
3600999Y9	60	577 x 577
3601009Y9	70	697 x 697

Y DIGIT	FRAME COLOUR
0	SILVER ANODISE
1	BLACK ANODISE
2	WHITE PAINT
8	SHINY SILVER

SOME HIGH VOLUME BUILDERS USE
CUSTOM PAINT COLOURS NOT SHOWN HERE

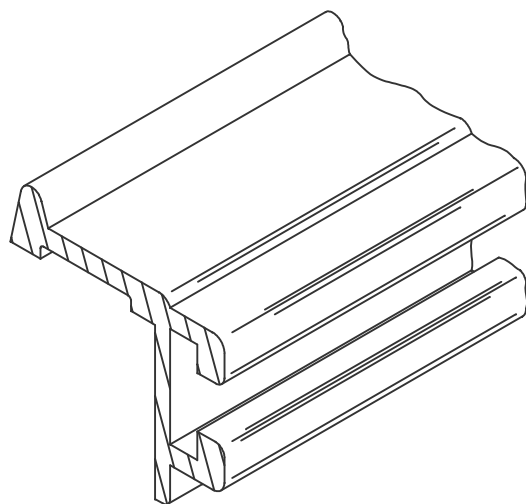
TRIMLINE SPARE PARTS

LOWER FRAMES

ISSUE 1.3

DATE 24-MAY-00

LEWMAR



Y DIGIT	FRAME COLOUR
0	SILVER ANODISE
1	BLACK ANODISE
2	WHITE PAINT
8	SHINY SILVER

SOME HIGH VOLUME BUILDERS USE
CUSTOM PAINT COLOURS NOT SHOWN HERE

KIT No.	HATCH	HATCH O-ALL SIZE
3604339Y9	03	301 x 246
3604349Y9	05	330 x 246
3600919Y9	11	330 x 330
3604359Y9	23	425 x 201
3604369Y9	33	554 x 259
3604379Y9	41	494 x 246
3604389Y9	52	557 x 301
3604399Y9	61	557 x 330

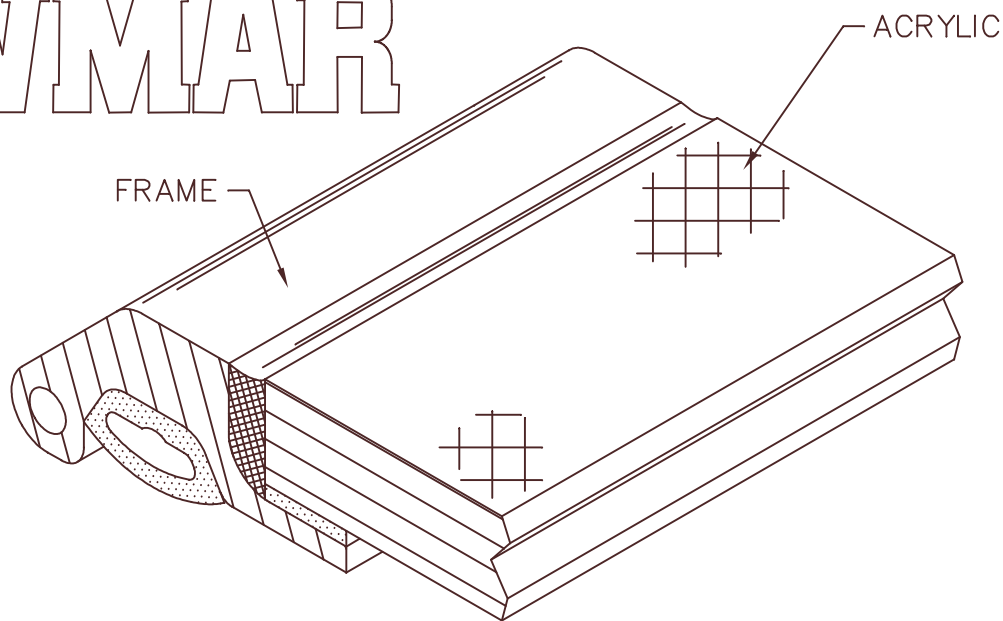
TRIMPORT SPARE PARTS (Friction Stay)

LOWER FRAMES

ISSUE 1.3

DATE 24-MAY-00

LEWMAR



KIT No.	HATCH	HATCH O-ALL SIZE REF.
360103XY9	10	330 x 330
360104XY9	30	527 x 397
360105XY9	35	585 x 455
360106XY9	40	491 x 491
360107XY9	50	577 x 447
360108XY9	60	577 x 577
360109XY9	70	697 x 697

X DIGIT	ACRYLIC COLOUR
0	SMOKE GREY
1	BRONZE
2	CLEAR
3	WHITE
4	GREEN

Y DIGIT	FRAME COLOUR
0	SILVER ANODISE
1	BLACK ANODISE
2	WHITE PAINT
8	SHINY SILVER

SOME HIGH VOLUME BUILDERS USE
CUSTOM PAINT COLOURS NOT SHOWN HERE

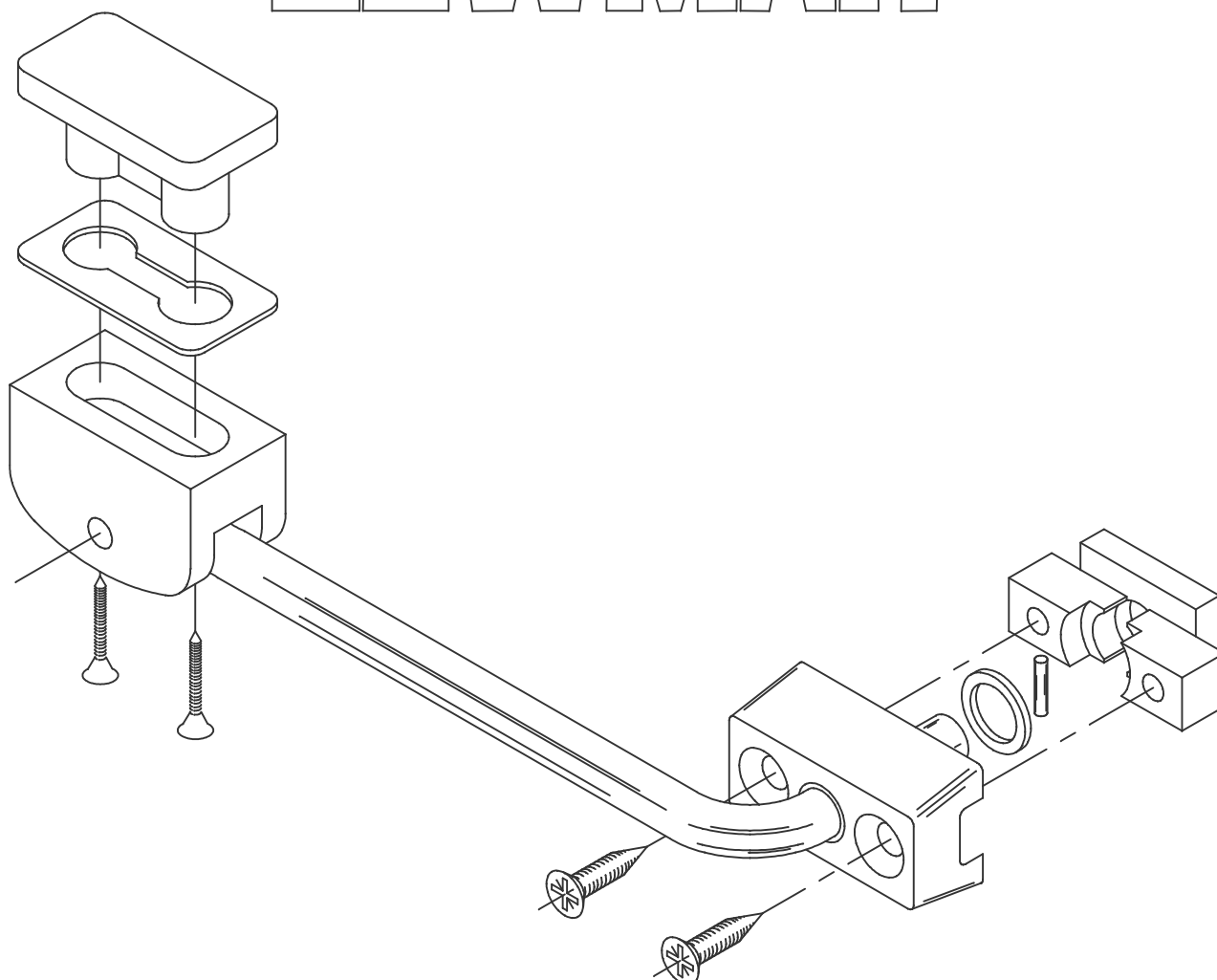
TRIMLINE SPARE PARTS

UPPER FRAME

ISSUE 1.3

DATE 24-MAY-00

LEWMAR



KIT No.	HATCH SIZE
36011299Z	03 & 05
36011399Z	11 & 41
36011499Z	23

Z = 0 FOR STANDARD GREY AND 1 FOR BENETEAU GREY

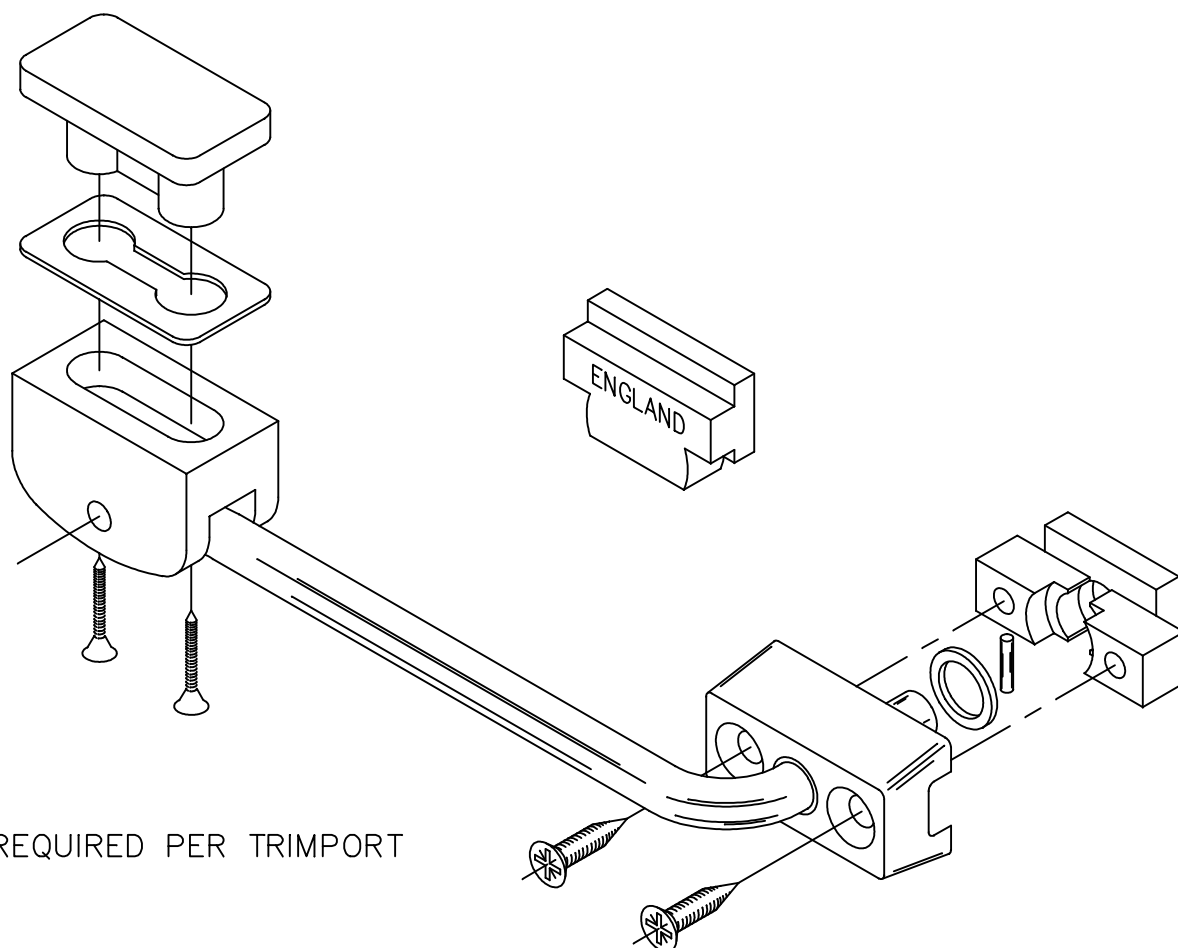
TRIMPORT SPARE PARTS

03,05,11,23 & 41 STAY KITS

ISSUE 1.1

DATE 12.6.92

LEWMAR



KIT No.	HATCH SIZE
36011599Z	52
36011699Z	61

Z = 0 FOR STANDARD GREY AND 1 FOR BENETEAU GREY

TRIMPORT SPARE PARTS

SIZE 52 & 61
STAY KITS

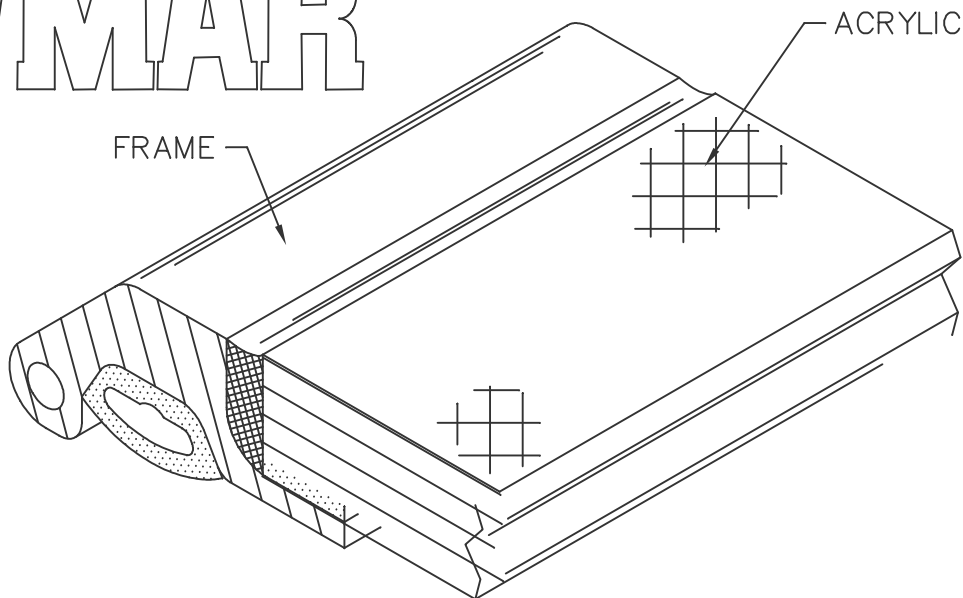
ISSUE

1.2

DATE

16-JUN-00

LEWMAR



KIT No.	HATCH	HATCH O-ALL SIZE
360117XY9	03	301 x 246
360118XY9	05	330 x 246
360119XY9	11	330 x 330
360120XY9	23	425 x 201
360124XY9	33	554 x 259
360121XY9	41	494 x 246
360122XY9	52	557 x 301
360123XY9	61	577 x 330

X DIGIT	ACRYLIC COLOUR
0	SMOKE GREY
1	BRONZE
2	CLEAR
3	WHITE
4	GREEN

Y DIGIT	FRAME COLOUR
0	SILVER ANODISE
1	BLACK ANODISE
2	WHITE PAINT
8	SHINY SILVER

SOME HIGH VOLUME BUILDERS USE
CUSTOM PAINT COLOURS NOT SHOWN HERE

TRIMPORT SPARE PARTS (Friction Stay)

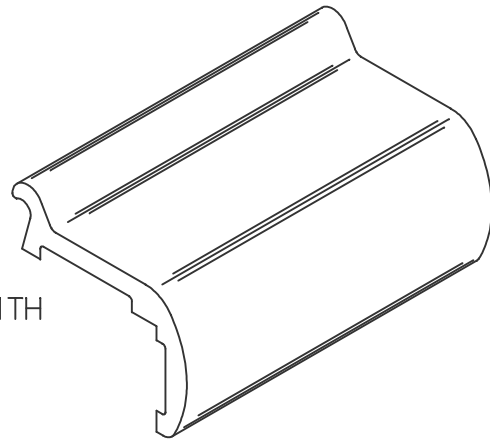
UPPER FRAME

ISSUE 1.3

DATE 24-MAY-00

LEWMAR

B5575-3



LOWER FRAMES ARE SUPPLIED COMPLETE WITH
CATCH BLOCKS AND FRICTION LEVER FITTED

KIT No.	HATCH	HATCH O-ALL SIZE
3601259YZ	00	281 x 281
3601269YZ	03	301 x 246
3601279YZ	05	330 x 246
3601289YZ	10	330 x 330
3601299YZ	20	417 x 272
3601309YZ	21	413 x 330
3601319YZ	23	425 x 201
3601359YZ	33	554 x 259
3601329YZ	41	494 x 246
3601339YZ	52	557 x 301
3601349YZ	61	557 x 330

Y DIGIT	FRAME COLOUR
0	SILVER ANODISE
1	BLACK ANODISE
2	WHITE PAINT
8	SHINY SILVER

'Z' DIGIT	MOULDING COLOUR
0	STANDARD GREY
1	BENETEAU GREY

SOME HIGH VOLUME BUILDERS USE
CUSTOM PAINT COLOURS NOT SHOWN HERE

TRIMPORT SPARE PARTS

LOWER FRAMES

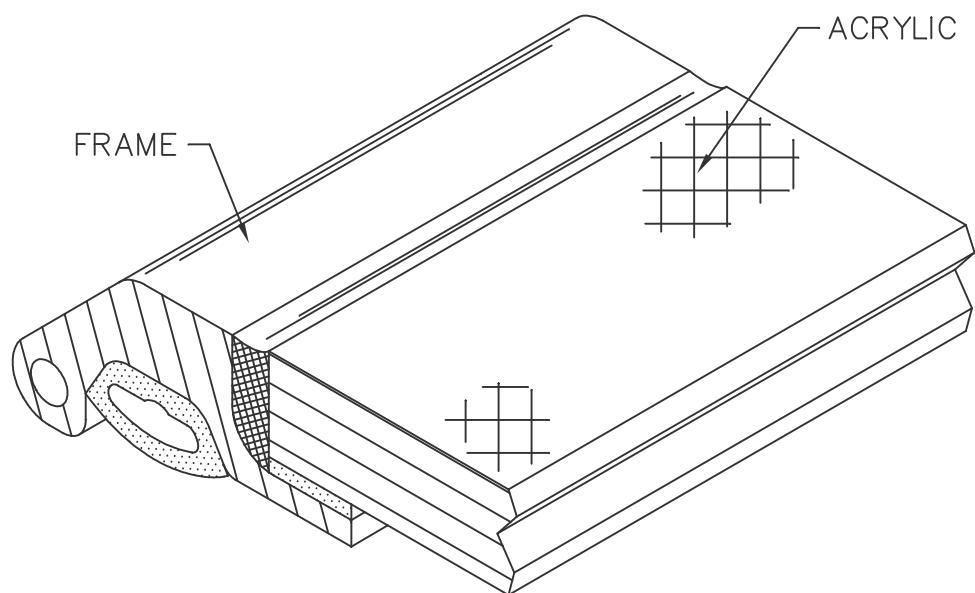
ISSUE

1.3

DATE

24-MAY-00

LEWMAR



KIT No.	HATCH	HATCH O-ALL SIZE
360136XY9	00	281 x 281
360137XY9	03	301 x 246
360138XY9	05	330 x 246
360139XY9	10	330 x 330
360140XY9	20	417 x 272
360141XY9	21	413 x 330
360142XY9	23	425 x 201
360146XY9	33	554 x 259
360143XY9	41	494 x 246
360144XY9	52	557 x 301
360145XY9	61	557 x 330

X DIGIT	ACRYLIC COLOUR
0	SMOKE GREY
1	BRONZE
2	CLEAR
3	WHITE
4	GREEN

Y DIGIT	FRAME COLOUR
0	SILVER ANODISE
1	BLACK ANODISE
2	WHITE PAINT
8	SHINY SILVER

SOME HIGH VOLUME BUILDERS USE
CUSTOM PAINT COLOURS NOT SHOWN HERE

TRIMPORT SPARE PARTS (Friction Lever)

UPPER FRAME

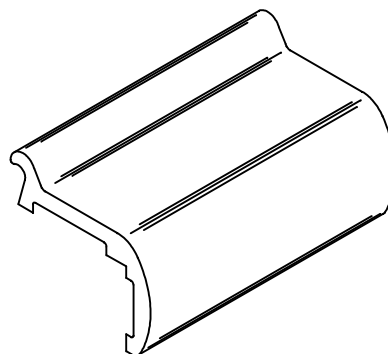
ISSUE 1.3

DATE 24-MAY-00

LEWMAR

'Z' DIGIT	MOULDING COLOUR
0	STANDARD GREY
1	BENETEAU GREY

Y DIGIT	FRAME COLOUR
0	SILVER ANODISE
1	BLACK ANODISE
2	WHITE PAINT
8	SHINY SILVER



SOME HIGH VOLUME BUILDERS USE
CUSTOM PAINT COLOURS NOT SHOWN HERE

LOWER FRAMES ARE SUPPLIED COMPLETE WITH CATCH
BLOCKS (FOR HANDLES) AND LEVER PIVOTS FITTED.

KIT No.	HATCH	HATCH O-ALL SIZE
3601579YZ	18	ROUND DIA 490
3601589YZ	22	ROUND DIA 588
3601479YZ	30	527 x 397
3601489YZ	35	585 x 455
3601499YZ	40	491 x 491 (1 HANDLE)
3601719YZ	40	491 x 491 (2 HANDLE)
3601729YZ	44	512 x 512
3601509YZ	45	577 x 491
3601519YZ	50	577 x 447
3601739YZ	54	577 x 462
3601529YZ	60	577 x 577
3601539YZ	65	TRAPEZOIDAL 675x559x560
3601549YZ	70	697 x 697
3601559YZ	75	TRAPEZOIDAL 804x550x693

COASTLINE SPARE PARTS

LOWER FRAMES

ISSUE

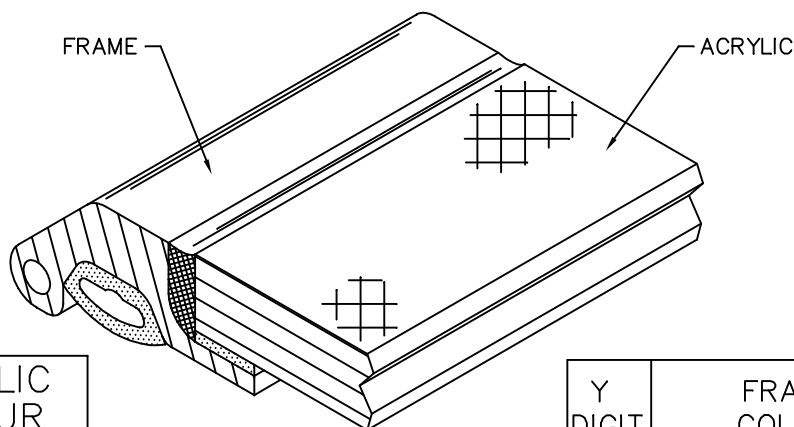
1.4

DATE

27-JUN-00

LEWMAR

B5611-4



X DIGIT	ACRYLIC COLOUR
0	SMOKE GREY
1	BRONZE
2	CLEAR
3	WHITE
4	GREEN

Y DIGIT	FRAME COLOUR
0	SILVER ANODISE
1	BLACK ANODISE
2	WHITE PAINT
8	SHINY SILVER

SOME HIGH VOLUME BUILDERS USE
CUSTOM PAINT COLOURS NOT SHOWN HERE

KIT No.	HATCH	HATCH O-ALL SIZE
360453XY9	18	ROUND DIA 490
360452XY9	22	ROUND DIA 588
360160XY9	30	527 x 397
360161XY9	35	585 x 455
360162XY9	40	491 x 491 (1 HANDLE)
360170XY9	40	491 x 491 (2 HANDLE)
360179XY9	44	512 x 512
360163XY9	45	577 x 491
360164XY9	50	577 x 447
360180XY9	54	577 x 462
360165XY9	60	577 x 577
360166XY9	65	TRAPEZOIDAL 675x559x560
360167XY9	70	697 x 697
360168XY9	75	TRAPEZOIDAL 804x550x693

COASTLINE SPARE PARTS

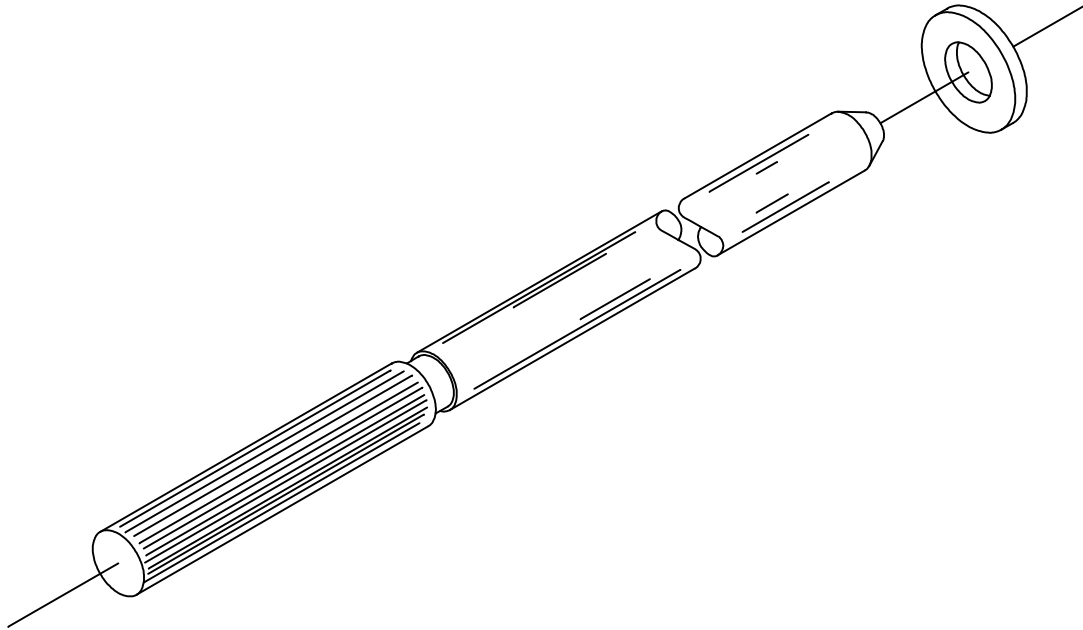
UPPER FRAME

ISSUE 1.5

DATE 28-JUN-00

LEWMAR

B5622-2



KIT No.	HATCH SIZE
360174999	30,35,40,45,50,60 & 65
360175999	70
360176999	75
360177999	18 & 22

COASTLINE SPARE PARTS

HINGE PIN KITS

ISSUE

1.2

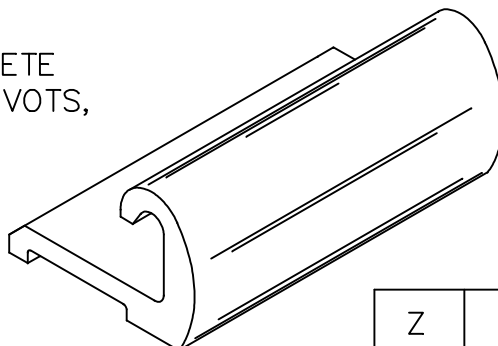
DATE

16.6.92

LEWMAR

NOTE!

FRAMES ARE SUPPLIED COMPLETE WITH LOWER HINGES, LEVER PIVOTS, CATCH BLOCKS AND RIVETS.



Y DIGIT	FRAME COLOUR
0	SILVER ANODISE
1	BLACK ANODISE
2	WHITE PAINT
8	SHINY SILVER

Z DIGIT	MOULDING COLOUR
0	STANDARD GREY
1	BENETEAU GREY

SOME HIGH VOLUME BUILDERS USE
CUSTOM PAINT COLOURS NOT SHOWN HERE

KIT No.	HATCH	HATCH OVERALL SIZE
3601879YZ	00	276 x 276
3601899YZ	10	325 x 325
3601919YZ	20	267 x 412
3601939YZ	30	392 x 522
3601959YZ	40	486 x 486
3602139YZ	44	509 x 509
3601979YZ	45	486 x 572
3601999YZ	50	445 x 575
3602159YZ	54	459 x 574
3602019YZ	60	575 x 575
3602039YZ	65	TRAPEZOIDAL 676x554x557
3602059YZ	66	669 x 669
3602079YZ	70	695 x 695
3602099YZ	75	TRAPEZOIDAL 807x552x695
3602119YZ	77	769 x 769

OCEAN HATCH SPARE PARTS

LOWER FRAMES - FLAT

ISSUE

1.4

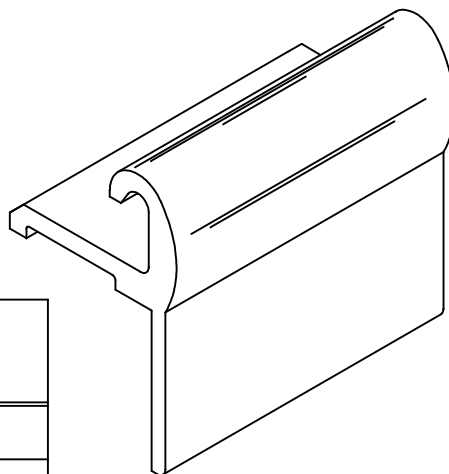
DATE

28-JUN-00

LEWMAR

B5626-3

NOTE
FRAMES ARE SUPPLIED
COMPLETE WITH LOWER
HINGES, LEVER PIVOTS,
CATCH BLOCKS & RIVETS.



'Z' DIGIT	MOULDING COLOUR
0	STANDARD GREY
1	BENETEAU GREY

Y DIGIT	FRAME COLOUR
0	SILVER ANODISE
1	BLACK ANODISE
2	WHITE PAINT
8	SHINY SILVER

SOME HIGH VOLUME BUILDERS USE
CUSTOM PAINT COLOURS NOT SHOWN HERE

KIT No.	HATCH	HATCH OVERALL SIZE
3601889YZ	00	276 x 276
3601909YZ	10	325 x 325
3601929YZ	20	267 x 412
3601949YZ	30	392 x 522
3601969YZ	40	486 x 486
3602149YZ	44	509 x 509
3601989YZ	45	486 x 572
3602009YZ	50	445 x 575
3602169YZ	54	459 x 575
3602029YZ	60	575 x 575
3602049YZ	65	TRAPEZOIDAL 676x554x557
3602069YZ	66	669 x 669
3602089YZ	70	695 x 695
3602109YZ	75	TRAPEZOIDAL 807x552x695
3602129YZ	77	769 x 769

OCEAN HATCH SPARE PARTS

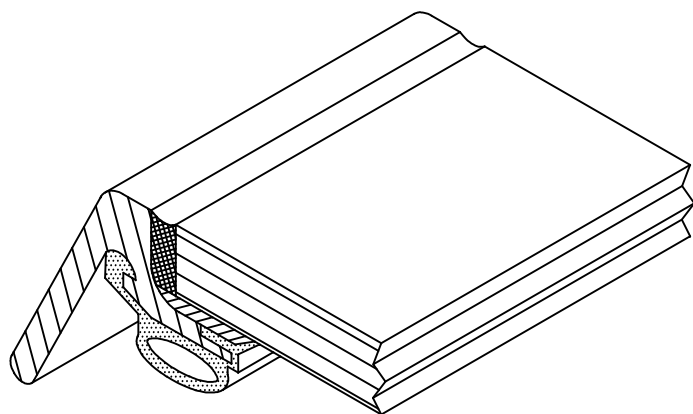
LOWER FRAMES - FLANGED

ISSUE

1.4

DATE 28-JUN-00

LEWMAR



X DIGIT	ACRYLIC COLOUR
0	SMOKE GREY
1	BRONZE
2	CLEAR
3	WHITE
4	GREEN

Y DIGIT	FRAME COLOUR
0	SILVER ANODISE
1	BLACK ANODISE
2	WHITE PAINT
8	SHINY SILVER

SOME HIGH VOLUME BUILDERS USE
CUSTOM PAINT COLOURS NOT SHOWN HERE

KIT No.	HATCH	HATCH OVERALL SIZE
360218XY9	00	276 x 276
360219XY9	10	325 x 325
360220XY9	20	267 x 412
360221XY9	30	392 x 522
360222XY9	40	486 x 486
360233XY9	44	509 x 509
360223XY9	45	486 x 572
360224XY9	50	445 x 575
360234XY9	54	459 x 575
360225XY9	60	575 x 575
360226XY9	65	TRAPEZOIDAL 676x554x557
360227XY9	66	669 x 669
360228XY9	70	695 x 695
360229XY9	75	TRAPEZOIDAL 807x552x695
360230XY9	77	769 x 769

OCEAN HATCH SPARE PARTS

UPPER FRAMES

ISSUE

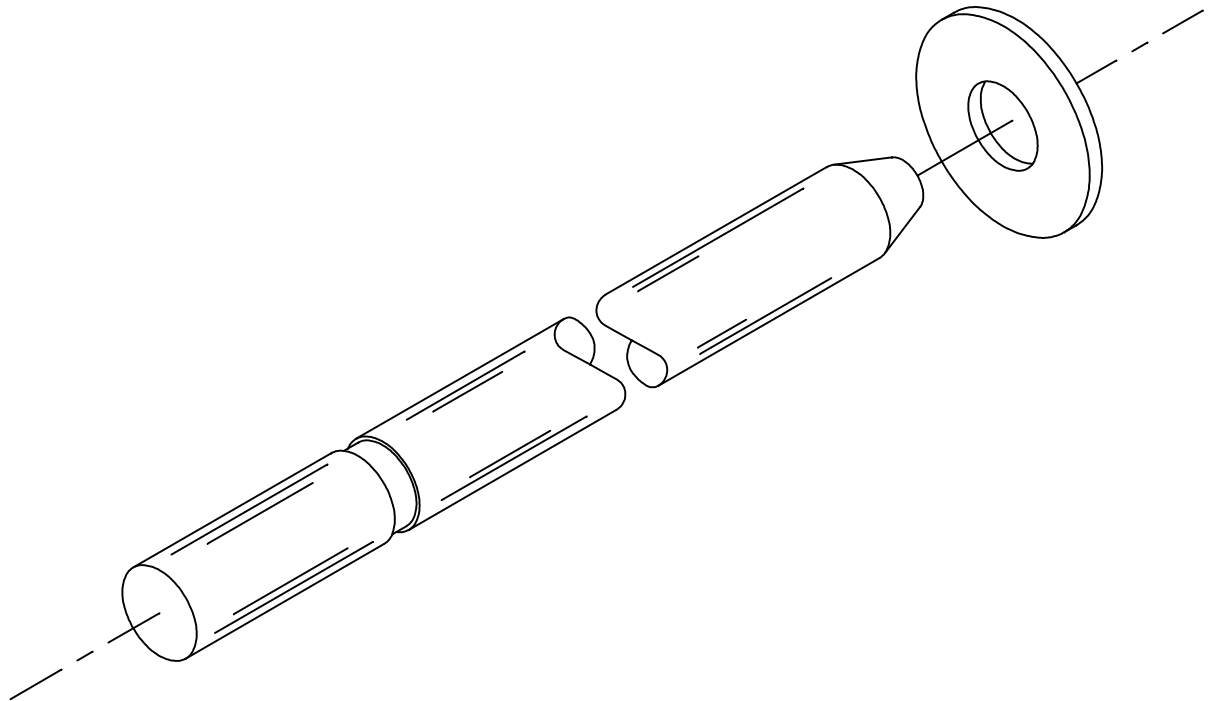
1.4

DATE

28-JUN-00

LEWMAR

B5659-2



KIT No.	HATCH SIZE
360235999	00
360236999	10
360237999	20,30,40,44,45,50,54,60 & 65
360238999	66
360239999	70
360240999	75
360241999	77

OCEAN HATCH SPARE PARTS

HINGE PIN KITS

ISSUE

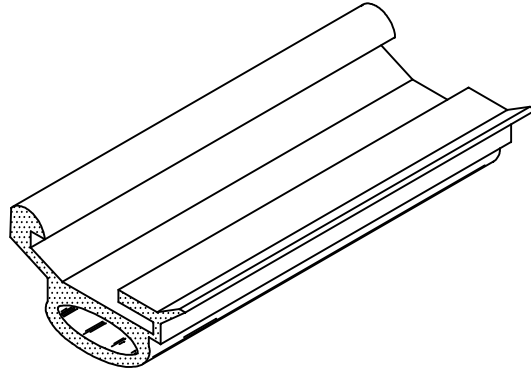
1.2

DATE

22.4.98

LEWMAR

B5660-3



KIT No.	HATCH	HATCH OVERALL SIZE
360370999	00	276 x 276
360371999	10	325 x 325
360372999	20	267 x 412
360373999	30	392 x 522
360374999	40	486 x 486
360381999	44	509 x 509
360375999	50	445 x 575
360382999	54	459 x 574
360376999	60	575 x 575
360377999	63	624 x 624
360378999	65	TRAPEZOIDAL 676x554x557
360379999	70	695 x 695
360380999	75	TRAPEZOIDAL 807x552x695
360383999	77	767 x 767

OCEAN HATCH SPARE PARTS

REPLACEMENT SEALS

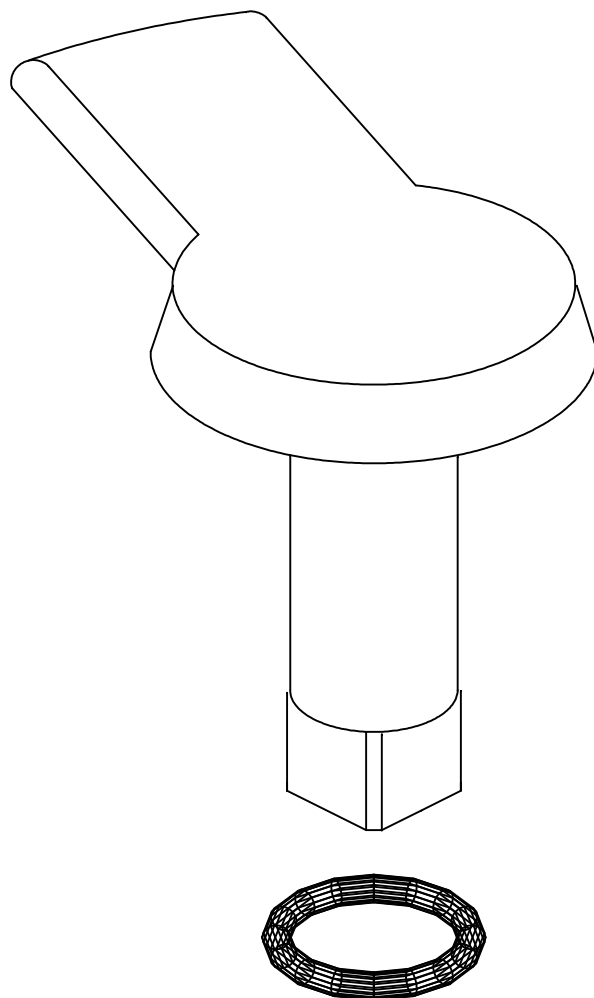
ISSUE

1.3

DATE

03.12.98

LEWMAR



KIT No. 360779099

1 PER BAG

ALLOY EXTERNAL HANDLE

EXTERNAL HANDLES

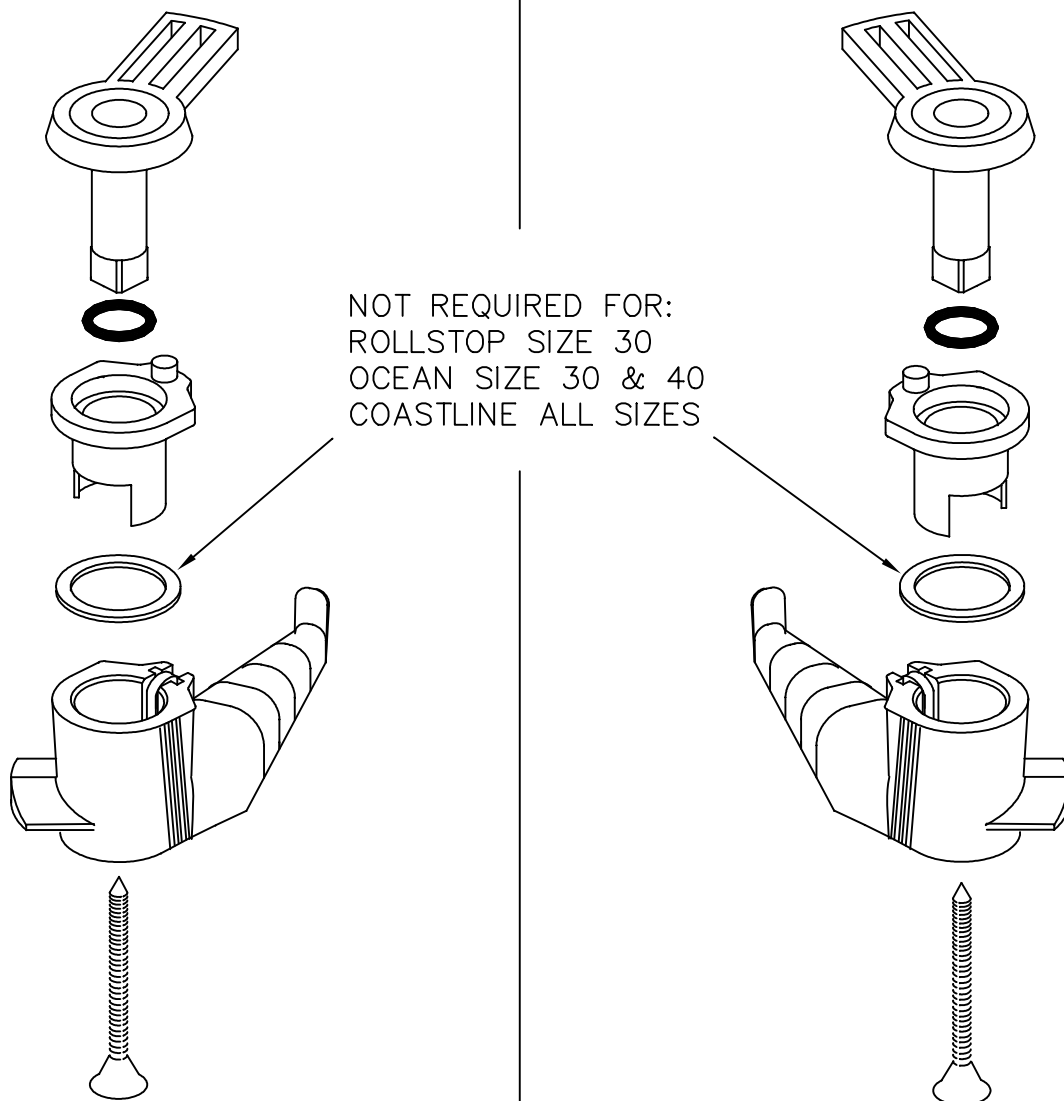
ISSUE

1.1

DATE

18.11.98

LEWMAR



KIT No. 36024999Z L.H.

USED ON COASTLINE SZ 40 WITH
 1 HANDLE

KIT No. 36025099Z R.H.

Z = 0 FOR STANDARD GREY AND 1 FOR BENETEAU GREY

HATCH SPARE PARTS

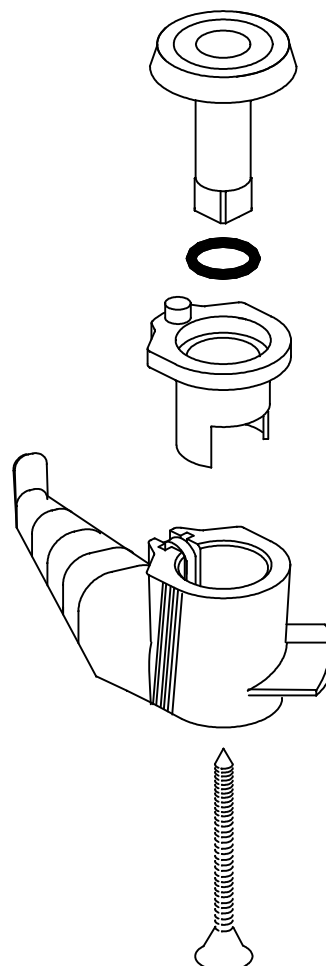
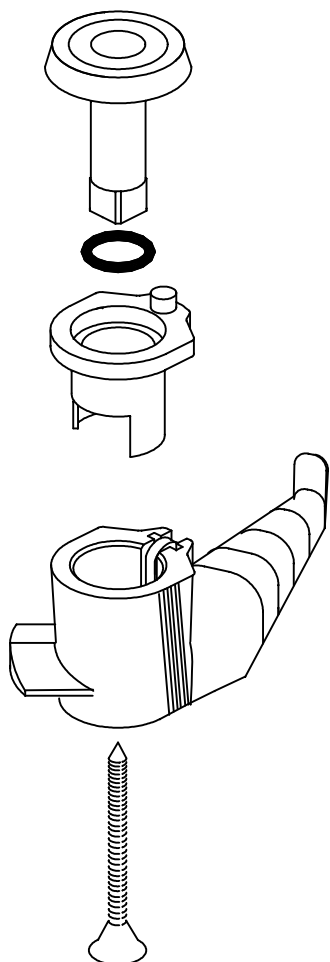
USED ON ALL HATCHES SIZE 30 OR LARGER

LARGE HANDLE KIT

ISSUE 1.3

DATE 28-JUN-00

LEWMAR



KIT No.	36025199Z	L.H.
---------	-----------	------

KIT No.	36025299Z	R.H.
---------	-----------	------

Z = 0 FOR STANDARD GREY AND 1 FOR BENETEAU GREY

HATCH SPARE PARTS

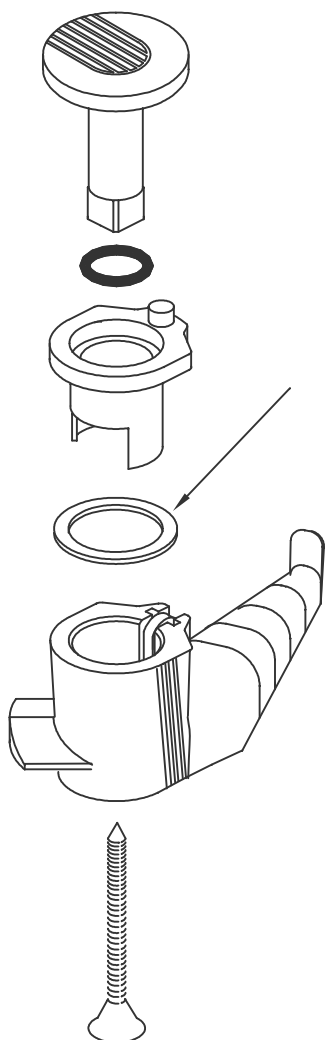
LARGE HANDLE KIT

ISSUE 1.2

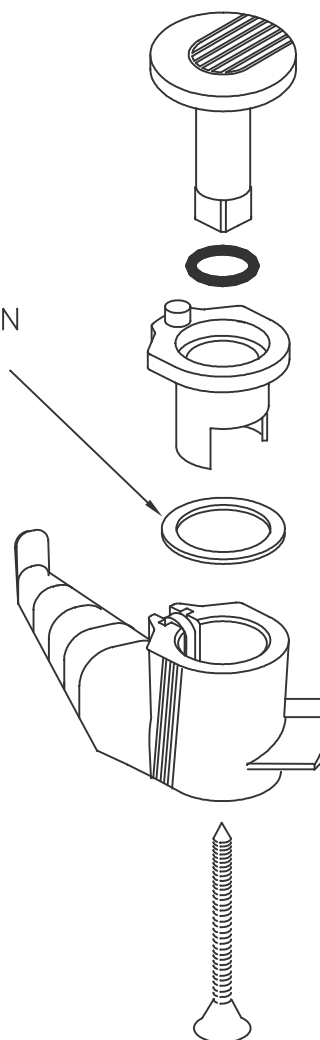
DATE 28-JUN-00

LEWMAR

B5666-1



ONLY TO BE USED ON
SIZE 10,30 & 40



KIT No.	36025399Z	L.H.
---------	-----------	------

KIT No.	36025499Z	R.H.
---------	-----------	------

Z = 0 FOR STANDARD GREY AND 1 FOR BENETEAU GREY

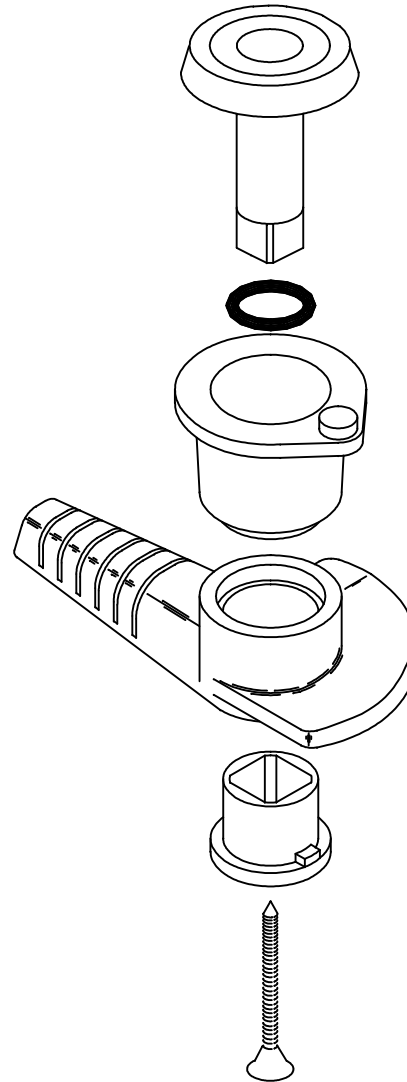
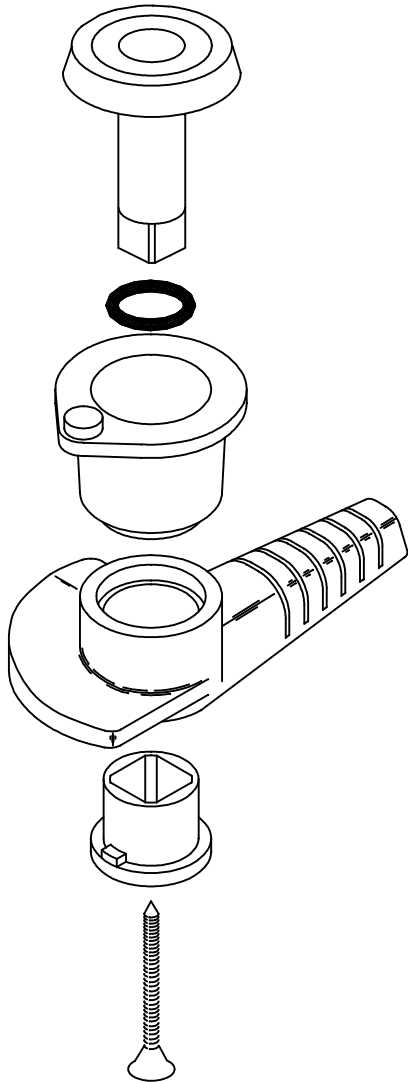
TRIMLINE HATCH SPARE PARTS

HANDLE KITS

ISSUE 1.2

DATE 18.7.92

LEWMAR



KIT No.	36025599Z	L.H.
---------	-----------	------

USED ON TRIMPORTS
WITH ONLY 1 HANDLE

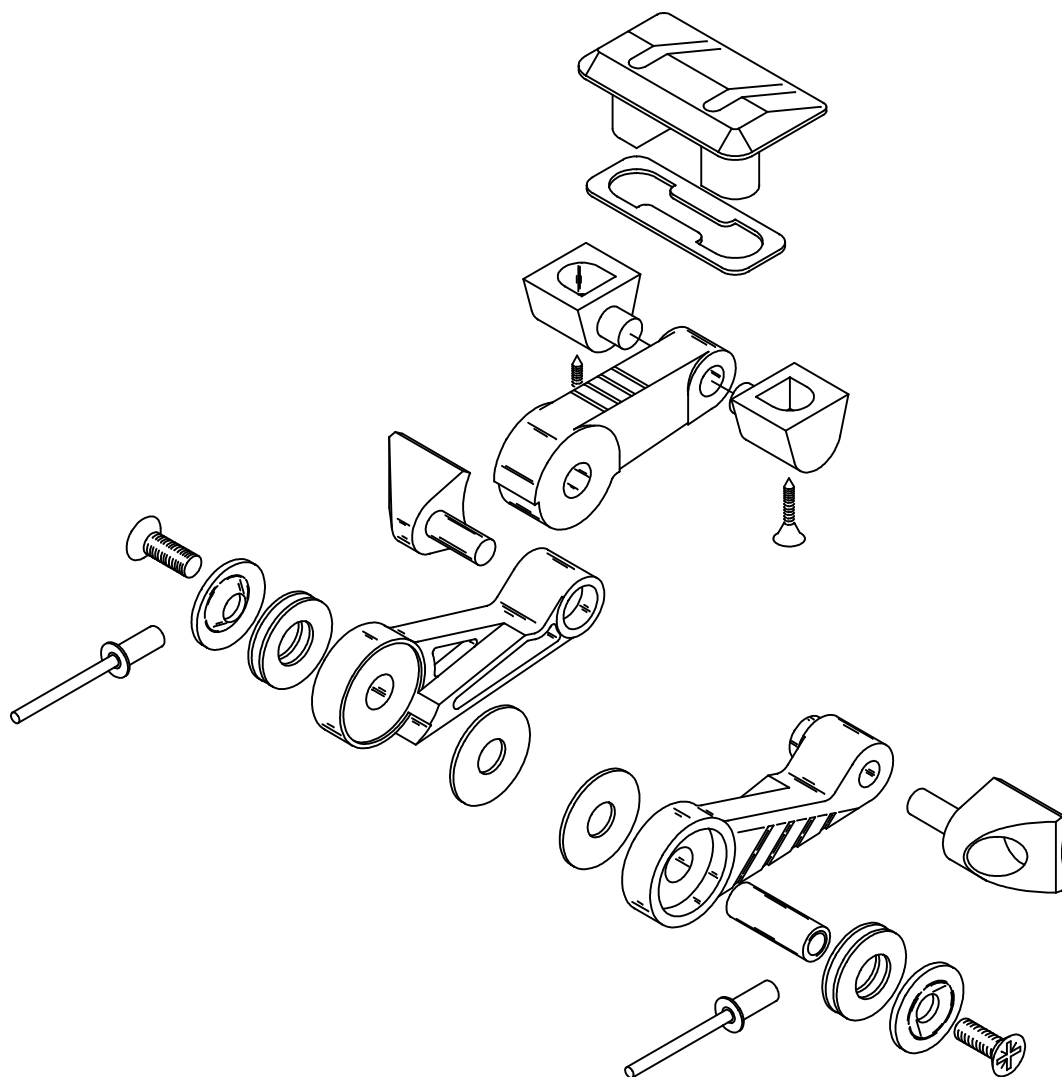
KIT No.	36025699Z	R.H.
---------	-----------	------

Z = 0 FOR STANDARD GREY AND 1 FOR BENETEAU GREY

TRIMPORT SPARE PARTS

SMALL HANDLE KITS	ISSUE	1.4	DATE	16-JUN-00
-------------------	-------	-----	------	-----------

LEWMAR



KIT No.	USED ON
36027099Z	TRIMPORT HATCHES
36027199Z	SMALL OCEAN HATCHES (00,10 & 20)

Z = 0 FOR STANDARD GREY AND 1 FOR BENETEAU GREY

HATCH SPARE PARTS

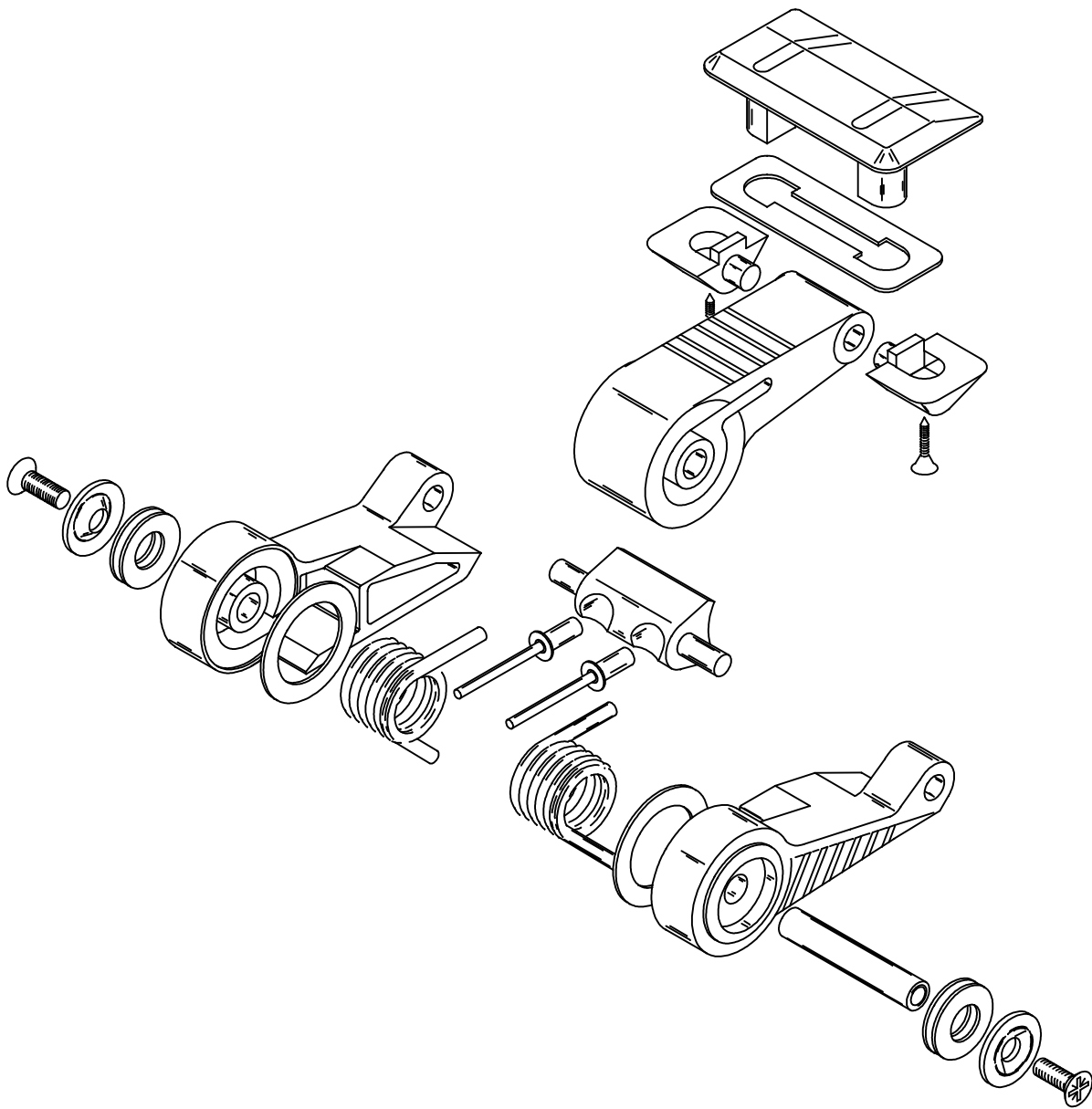
SMALL FRICTION LEVER KITS

ISSUE 1.2

DATE 16-6-00

LEWMAR

B5676-1



KIT No.	USED ON
36027299Z	OCEAN 30-50, COASTLINE TO 65
36027399Z	OCEAN 50 UP, COASTLINE 65 UP

Z = 0 FOR STANDARD GREY AND 1 FOR BENETEAU GREY

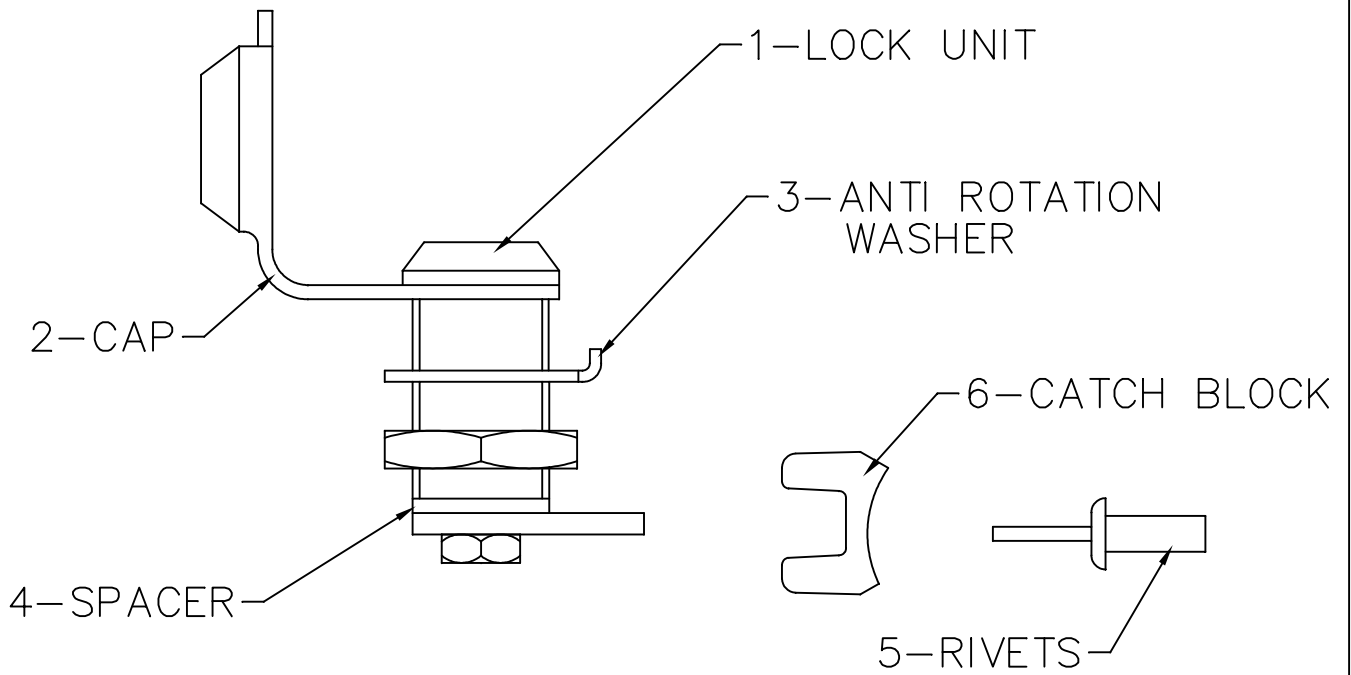
HATCH SPARE PARTS

LARGE FRICTION LEVER KITS

ISSUE 1.1

DATE 19.6.92

LEWMAR



LOCK KIT NO.	360259990
--------------	-----------

KIT DOES NOT FIT SIZE 6 HATCH

HATCH RETROFIT LOCK KIT

DECK HATCHES

ISSUE

1.3

DATE

03-JUL-00

LEWMAR®

HATCH RETRO FIT LOCK & KEY FITTING INSTRUCTIONS

NOTES

- This kit does not fit Size 6 Hatches [882 x 882mm (34³/₄ x 34³/₄") overall]
- These instructions are for square and rectangular hatches only.
- When drilling use water as a lubricant and control the drill speed to prevent the acrylic over heating.
- When making the 20mm (3/4") hole, drill or cut in from both sides, this will prevent the acrylic from chipping when the drill / hole saw breaks through.
- Fit the lock first, then confirm the position of the catch block which should be fitted second.

TOOLS REQUIRED

- 20mm (3/4") drill or hole saw
- 5mm (3/16") drill bit
- variable speed drill
- masking tape
- rivet gun
- 12mm and 24mm (or adjustable) spanner

INSTRUCTIONS

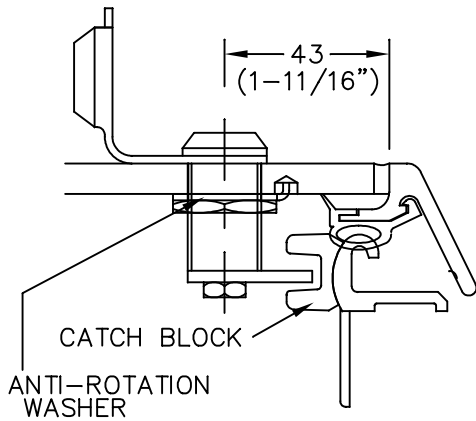
1. Using the drawings over, confirm which type of hatch is to be modified.
2. On the outside of the hatch, apply masking tape in area where hole is to be drilled and mark the centre of the hole using the dimension given in the drawings over.
3. Leave the masking tape in place to stop the drill bit slipping and drill a pilot hole.
4. Using water as a lubricant and controlling the drill speed to prevent overheating, use the pilot hole as a guide to drill a 20mm (3/4") hole 1/2 way through the acrylic.
5. Complete drilling the hole from the other face of the acrylic to prevent chipping when the drill breaks through.
6. Apply masking tape to the inside of the hatch in the area where the 5mm (3/16") hole is to be drilled. Mark the centre of the hole using the dimension shown in the drawing below. The hole should be towards the edge of the hatch. Apply a small piece of masking tape 3mm (1/8") from the end of the 5mm (3/16") drill bit to mark the drilling depth required and drill the hole to this depth.
7. Fit the lock assembly as shown in the drawings below, note that some hatches will require the spacer. Ensure that the anti-rotation washer is correctly engaged before tightening the lock nut to avoid acrylic damage.
8. The kit is supplied with two types of Catch Blocks, one for Ocean and Coastline hatches and one for Low and Medium Profile hatches. Confirm which type of Catch Block is already fitted to the hatch for the handles. The lock will require the same catch block fitted the same way up.
9. Apply masking tape to the lower frame in the area where the Catch Block is to be fitted. Close the hatch and, with the handles engaged, establish the best position for the lock's Catch Block. Mark the hole centres on the masking tape.
10. Using the masking tape to prevent the drill from slipping, drill the holes for the catch block rivets using a 5mm (3/16") drill bit. Rivet the catch block in place.

[For Drawings See Reverse \(B5677-C\)](#)

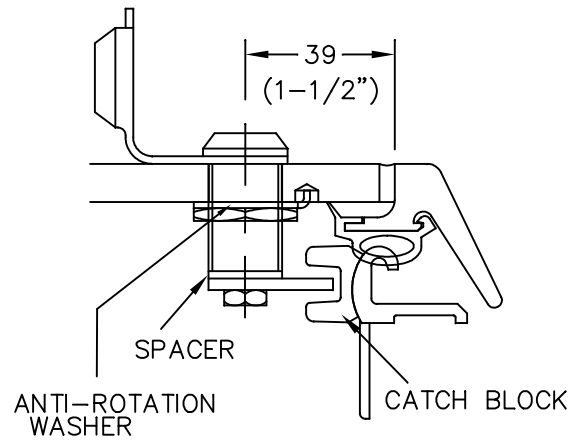
LEWMAR

RETRO FIT LOCK INSTRUCTIONS

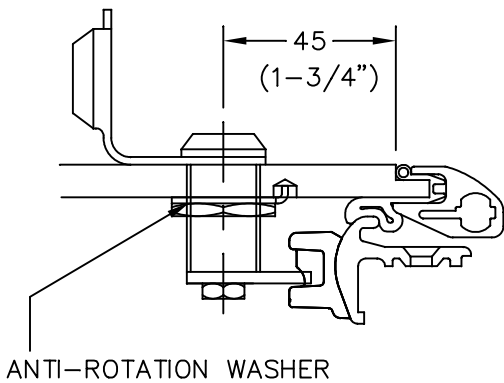
B5677-C



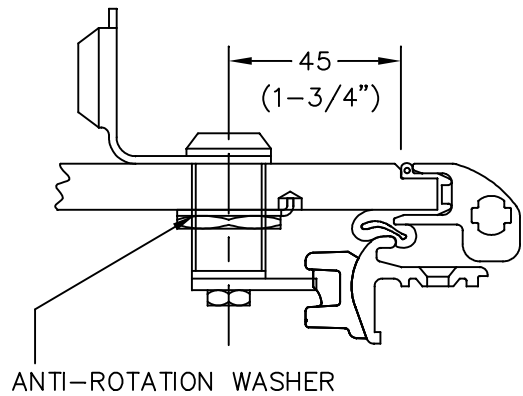
ROLLSTOP AND OCEAN SZ 00 TO 40



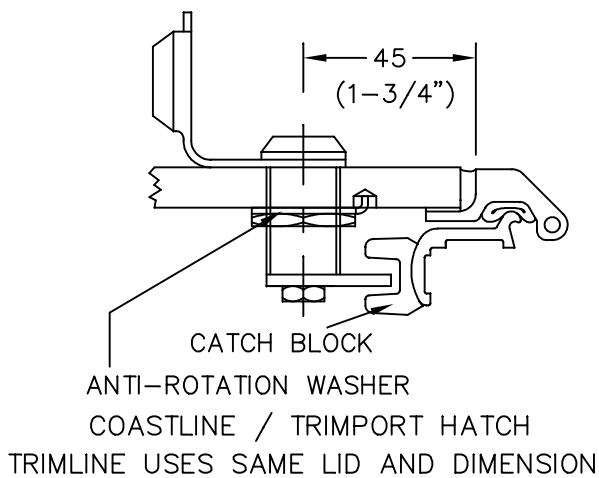
ROLLSTOP AND OCEAN SZ 44 AND ABOVE



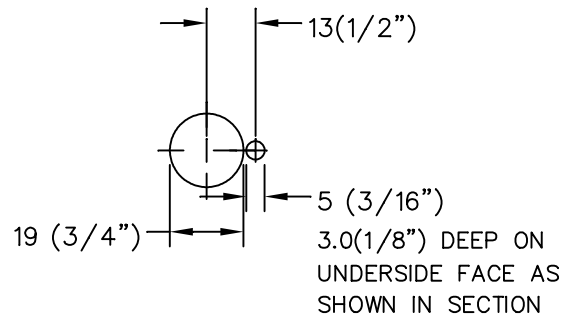
LOW PROFILE HATCH



MEDIUM PROFILE HATCH



COASTLINE / TRIMPORT HATCH
TRIMLINE USES SAME LID AND DIMENSION



DRILLING DETAILS

FOR TEXT SEE REVERSE (B5677-B)

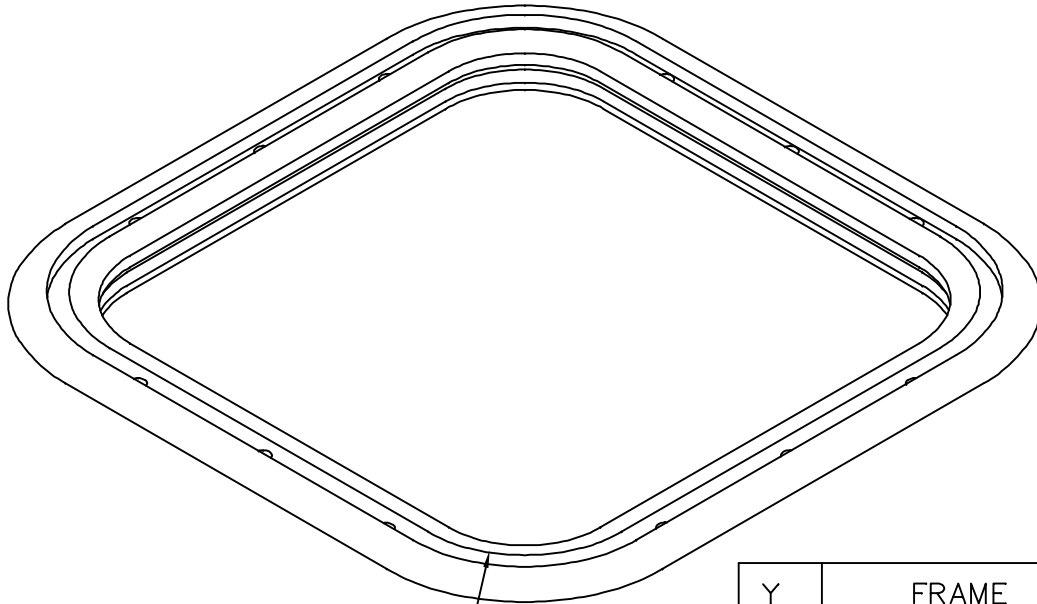
RETRO FIT LOCK

ISSUE 3

DATE 12-DEC-99

LEWMAR

B5757-3



SEAL INSTALLED

Y DIGIT	FRAME COLOUR
0	SILVER ANODISE
1	BLACK ANODISE
2	WHITE PAINT
8	SHINY SILVER

SOME HIGH VOLUME BUILDERS USE
CUSTOM PAINT COLOURS NOT SHOWN HERE

KIT No.	HATCH	HATCH OVERALL SIZE REF.
3606059Y9	SIZE 40	476 X 476
3606069Y9	SIZE 55	530 X 530
3606089Y9	SIZE 57	540 x 540
3606079Y9	SIZE 60	577 x 577
ROUND HATCHES		
3606589Y9	SIZE 13	364 DIA
3606069Y9	SIZE 22	577 DIA

CONCEPT HATCH

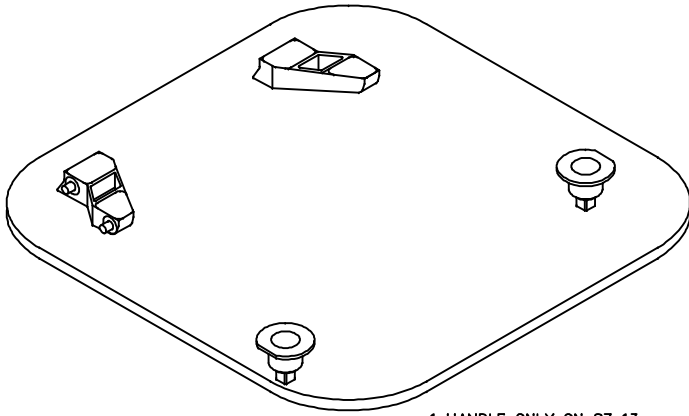
MAIN FRAME

ISSUE 3

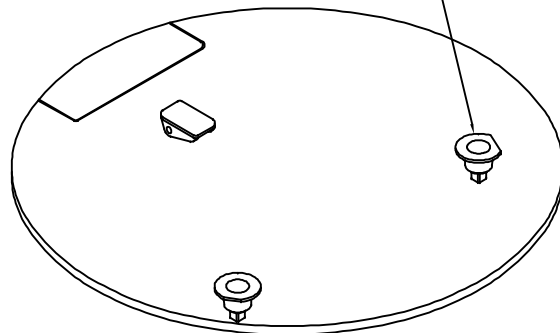
DATE 13-DEC-00

LEWMAR

B5758-3



1 HANDLE ONLY ON SZ 13



X DIGIT	ACRYLIC COLOUR
0	SMOKE GREY
1	BRONZE
2	CLEAR
3	WHITE
4	GREEN

'Z' DIGIT	MOULDING COLOUR
0	STANDARD GREY

KIT No.	HATCH	HATCH OVERALL SIZE REF.
360611X9Z	SIZE 40	476 X 476
360612X9Z	SIZE 55	530 X 530
360614X9Z	SIZE 57	540 x540
360613X9Z	SIZE 60	577 x 577
ROUND SIZES		
360658X9Z	SIZE 13	364 DIA
360660X9Z	SIZE 22	577 DIA

CONCEPT HATCH

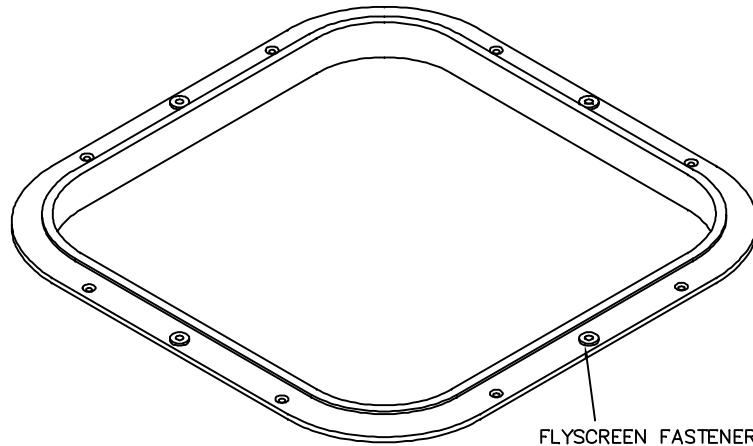
ACRYLICS

ISSUE 3

DATE 13-DEC-00

LEWMAR

B5759-3



FLYSCREEN FASTENERS
INSTALLED

Y DIGIT	FRAME COLOUR
0	SILVER ANODISE
1	BLACK ANODISE
2	WHITE PAINT
8	SHINY SILVER

'Z' DIGIT	MOULDING COLOUR
0	STANDARD GREY

SOME HIGH VOLUME BUILDERS USE
CUSTOM PAINT COLOURS NOT SHOWN HERE

KIT No.	HATCH	HATCH OVERALL SIZE REF.
3606179YZ	SIZE 40	476 X 476
3606189YZ	SIZE 55	530 X 530
3606209YZ	SIZE 57	540 X 540
3606199YZ	SIZE 60	577 x 577
ROUND SIZES		
3606649YZ	SIZE 13	364 DIA
3606699YZ	SIZE 22	577 DIA

CONCEPT HATCH

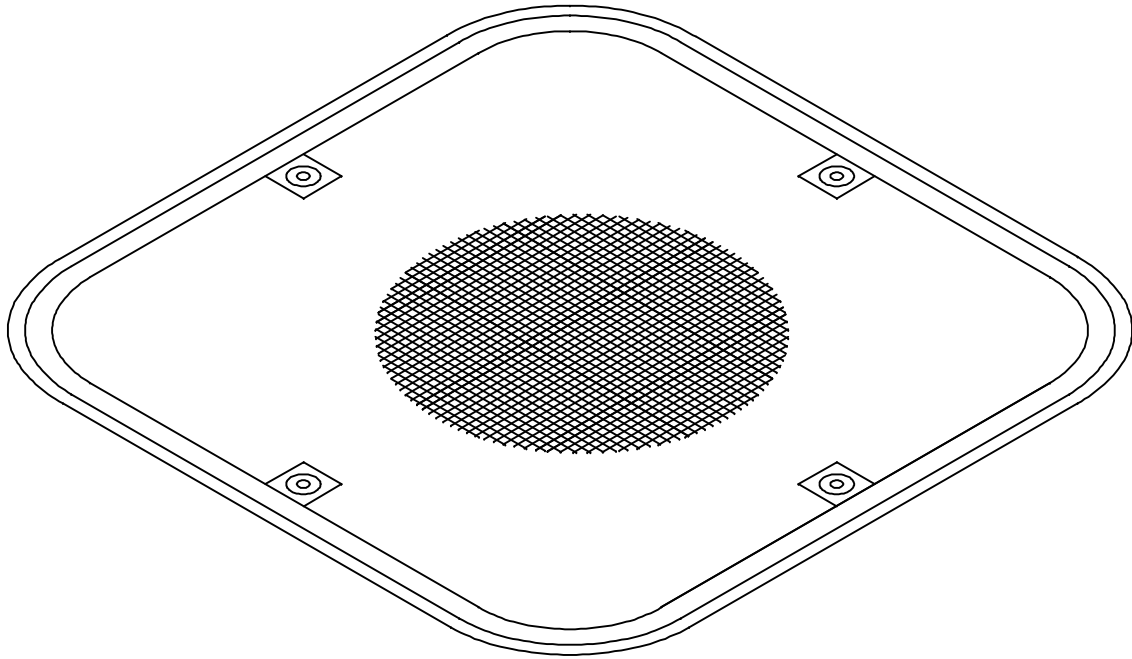
TRIM FRAME

ISSUE 3

DATE 14-DEC-00

LEWMAR

B5760-4



KIT No.	HATCH	QUANTITY	HATCH OVERALL SIZE REF.
367240916	SIZE 40	5	476 X 476
367255916	SIZE 55	5	530 X 530
367257916	SIZE 57	5	540 X 540
367260916	SIZE 60	5	577 x 577
ROUND SIZES			
367213916	SIZE 13	1	364 DIA
367222916	SIZE 22	1	577 DIA

CONCEPT HATCH

FLYSCREENS

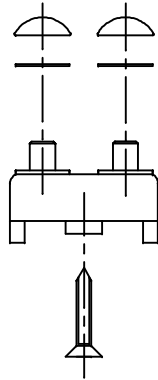
ISSUE 4

DATE 14-DEC-00

LEWMAR

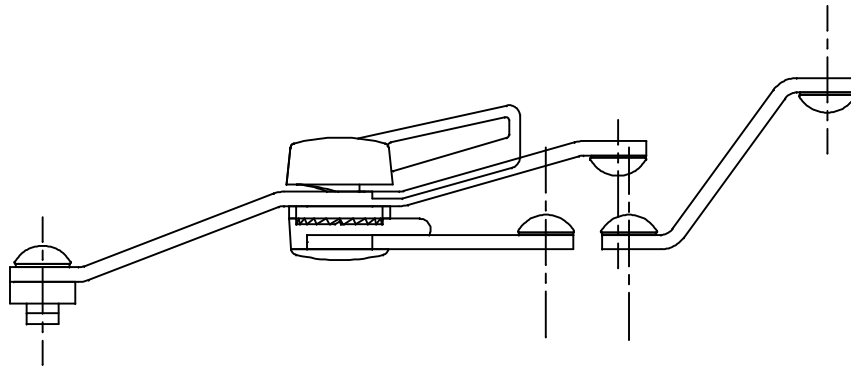
B5761-2

LOWER PIVOT KIT



KIT No.	QUANTITY PER KIT
360635990	2 SET

LINKAGE PIN



RIGHT HAND AS DRAWN

KIT No.	TYPE	HANDING NOTATION IS TO VIEW HATCH FROM ON DECK AT HANDLE EDGE
360629900	LEFT HAND	
360630900	RIGHT HAND	

RECTANGULAR CONCEPT HATCH

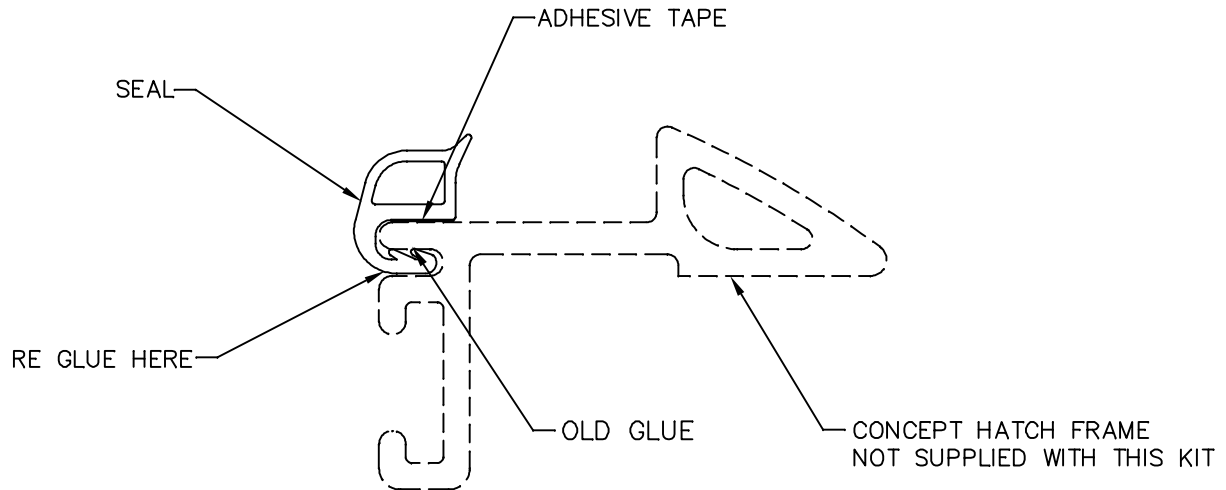
HINGE

ISSUE 2

DATE 15-DEC-00

LEWMAR

B5767-3



- 1) PULL OLD SEAL AWAY FROM ADHESIVE TAPE
- 2) SEPARATE THE GLUE ON THE OLD SEAL WITH A SHARP KNIFE
- 3) WITH THE OLD SEAL REMOVED CLEAN UP THE ALLOY FRAME
BE CAREFUL NOT TO DAMAGE THE FINISH ON THE ALLOY FRAME
- 4) STICK THE NEW ADHESIVE TAPE ON TO THE ALLOY FRAME
DO NOT REMOVE THE YELLOW BACKING FROM THE TOP OF THE TAPE
- 5) LOCATE THE SEAL ON THE ALLOY FRAME
- 6) LIFT ONE EDGE OF THE SEAL AND REMOVE THE YELLOW BACKING
WORK AROUND THE HATCH PUSHING THE SEAL ONTO THE TAPE
- 7) RUN A BEAD OF SUPER/CRAZY GLUE BETWEEN THE LOWER EDGE
OF THE SEAL AND THE FRAME

KIT No.	HATCH	HATCH O-ALL SIZE
360640999	40	476 x 476
360641999	55	529 x 529
360643999	57	540 x 540
360642999	60	577 x 577
360646999	13	364 DIA.
360648999	22	577 DIA.

CONCEPT HATCH

SEAL & TAPE KIT

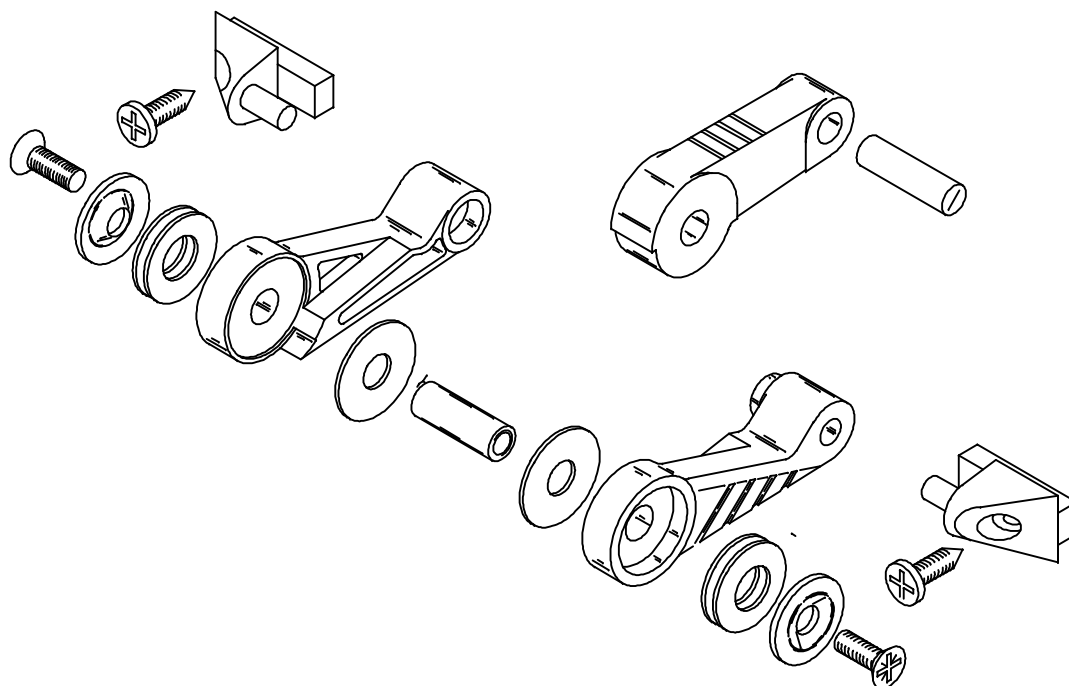
ISSUE 3

DATE 27/03/98

SCALE 1:1

DRAWN B.E.C.

LEWMAR



KIT No.	USED ON
360638990	CONCEPT HATCHES

CIRCULAR CONCEPT HATCH

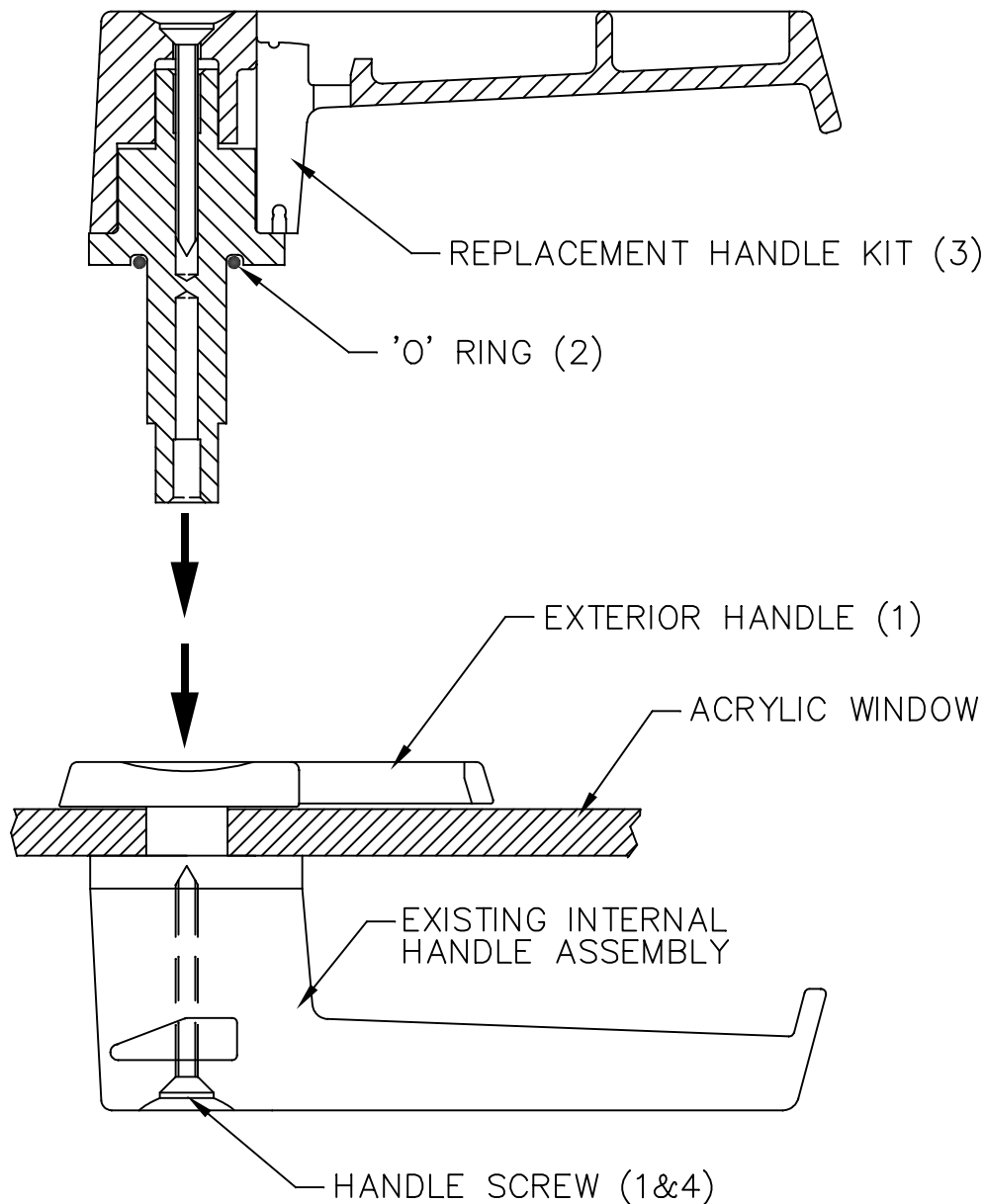
FRICITION LEVER KITS

ISSUE 1

DRAWN 20-DEC-00

FITTING INSTRUCTIONS FOR HANDLE KIT
SPARE No. 3607710999 (LH) & 3607700999 (RH)

B5966
ISSUE B



1. UNDO HANDLE SCREW AND REMOVE EXTERIOR HANDLE.
2. SMEAR A SMALL AMOUNT OF SILICONE GREASE ONTO EXPOSED SURFACE OF 'O' RING PRIOR TO FITMENT.
3. FIT REPLACEMENT HANDLE KIT ENSURING THAT THE SPINDLE ENGAGES CORRECTLY INTO EXISTING HANDLE.
4. RE-TIGHTEN THE SCREW AND SECURE USING THREADLOCK.

(NOT TO SCALE)

LEWMAR LIMITED WARRANTY

Lewmar warrants its products in normal usage to be free of defects in materials and workmanship for a period of three years from date of purchase by the original purchaser, subject to the conditions, limitations and exceptions listed below. Any part, which proves to be defective in normal usage during that three-year period, will be repaired or at Lewmar's option, replaced by Lewmar.

A CONDITIONS AND LIMITATIONS

- i Lewmar's liability shall be limited to repair or replacement of the goods or parts defective in materials or workmanship.
- ii Determination of the suitability of the material for the use contemplated by the buyer is the sole responsibility of the buyer and Lewmar shall have no responsibility in connection with such suitability.
- iii Lewmar shall not be liable in any way for:
 - a Failures, loss or damage due to use of products in applications for which they are not intended.
 - b Failures, loss or damage due to corrosion, ultra violet degradation, wear and tear or improper installation.
 - c Failures, loss or damage due to incorrect maintenance.
 - d Failures, loss or damage due to conditions that exceed the product's performance specifications.
- iv Product subject to warranty claim must be returned to Lewmar for examination unless otherwise agreed by Lewmar in writing.
- v Lewmar shall not be responsible for shipping charges nor installation labour associated with any warranty claim.
- vi Service by anyone other than authorised Lewmar representatives shall void this warranty unless it accords with Lewmar guidelines and standards of workmanship.
- vii Lewmar's products are intended for use only for marine purposes. Buyers intending to use them for any other purpose should seek advice from Lewmar, and Lewmar shall be under no liability arising from use, which Lewmar has not approved.

B EXCEPTIONS

Warranty is limited to a period of one year from the date of purchase in the case of the following:

- Bow thrusters
- Electric motors and electrical equipment
- Electronic controls
- Hydraulic pumps, valves and actuators
- Weather seals
- Products used in "Grand Prix" racing applications

C LIABILITY

- i Lewmar's liability under this warranty shall be to the exclusion of all other warranties or liabilities (to the extent permitted by law). In particular (but without limitation):
 - a Lewmar shall not be liable for:
 - Any indirect or consequential loss including (without limitation) any loss of anticipated profits, damage to reputation or goodwill, loss of expected future business, damages, costs or expenses payable to any third party or any other indirect losses.
 - Any damage to yachts or equipment.
 - Death or personal Injury (unless caused by Lewmar's negligence).
 - b Lewmar grants no warranties regarding the fitness for purpose, use, nature or satisfactory quality of the goods.
- ii Where the laws of the country do not permit a warranty to be excluded, then such warranty, if permitted by that country's law, shall be limited to a period of one year.

D SEVERANCE CLAUSE

If any clause of these warranties is held by any competent authority to be invalid or unenforceable in whole or in part of the validity of the other clauses of this warranty and the remainder of the clause in question shall not be affected.

- E This warranty gives you specific legal rights, and you may also have other legal rights, which vary, from country to country.

Where the products are sold in the UK under a consumer transaction, the buyer's statutory rights are not affected
Lewmar Limited reserves the right to alter design and specification without prior notice.

[Go previous Page](#) - Page 2 of 3 - [Go next Page](#)

TERMS AND CONDITIONS OF SALE

All sales are subject to Lewmar's General Terms and Conditions of Sale, which can be obtained from Lewmar Limited Head Office in Havant. The foregoing warranty and the following General Conditions of Sale form part only of, but also supplement, Lewmar's General Terms and Conditions of Sale. In the event of any conflict between the foregoing warranty and the following General Conditions of Sale on the one hand and Lewmar's full General Terms and Conditions of Sale on the other, Lewmar's full General Terms and Conditions of Sale shall prevail.

Prices

All prices are subject to change without prior notice due to the fluctuating costs of materials and wages. Prices are ex-warehouse and are those ruling at the date of despatch and exclude VAT, which will be charged as appropriate.

Quotations

Any quotation is open for acceptance for a period of 30 days from the date of quotation. Quotations can only be regarded as firm when they are put in writing. (Verbal estimates are made purely for indicative purposes.)

Return of goods

RETURNED GOODS WILL NOT BE ACCEPTED NOR CREDIT ISSUED UNLESS THE RETURN IS AUTHORISED BY LEWMAR IN WRITING.

An authorisation will be issued on approval of return.

All carriage charges on returned goods must be prepaid.

All returned goods accepted and subsequently returned to our stock will be subject to a 15% restocking charge.

Items returned in a damaged condition will not be credited at full value.

Custom fabricated items or parts will not be accepted for return.

Catalogues

Sales literature and product manuals are available from Lewmar on request. These items can also be ordered from our Web site.

Availability

Goods can be obtained from your local boat builder or chandler. We will be pleased to inform you of your nearest supplier.

[Go previous Page](#) - Page 3 of 3

Free Manuals Download Website

<http://myh66.com>

<http://usermanuals.us>

<http://www.somanuals.com>

<http://www.4manuals.cc>

<http://www.manual-lib.com>

<http://www.404manual.com>

<http://www.luxmanual.com>

<http://aubethermostatmanual.com>

Golf course search by state

<http://golfingnear.com>

Email search by domain

<http://emailbydomain.com>

Auto manuals search

<http://auto.somanuals.com>

TV manuals search

<http://tv.somanuals.com>