



W850

User's Guide

December 2012

www.lexmark.com

Machine type(s):

4024

Model(s):

110

Contents

- Safety information.....5**
- Learning about the printer.....7**
 - Thank you for choosing this printer!.....7
 - Finding information about the printer.....7
 - Selecting a location for the printer.....8
 - Printer configurations.....9
 - Understanding the printer control panel.....10
- Minimizing your printer's environmental impact.....12**
 - Saving paper and toner.....12
 - Saving energy.....12
 - Reducing printer noise.....13
 - Recycling.....14
- Additional printer setup.....15**
 - Installing internal options.....15
 - Installing hardware options.....24
 - Attaching cables.....26
 - Verifying printer setup.....27
 - Setting up the printer software.....28
 - Setting up wireless printing.....30
 - Installing the printer on an Ethernet network.....35
 - Changing port settings after installing a new network Internal Solutions Port.....38
 - Setting up serial printing.....39
- Loading paper and specialty media.....42**
 - Setting the paper size and type.....42
 - Setting the printer to detect the paper size loaded in a tray.....42
 - Configuring Universal paper settings.....43
 - Loading the standard or optional 500-sheet trays.....44
 - Loading A5 or Statement paper sizes.....46
 - Loading B5 or Executive paper sizes.....46
 - Loading the 2000-sheet high capacity feeder.....47
 - Loading the 2,000-sheet dual input trays.....49

Loading the multipurpose feeder.....51

Loading letter- or A4-size paper in the short-edge orientation.....54

Linking and unlinking trays.....55

Paper and specialty media guidelines.....58

 Paper guidelines.....58

 Supported paper sizes, types, and weights.....60

Printing.....65

 Printing a document.....65

 Printing on specialty media.....65

 Printing confidential and other held jobs.....69

 Printing from a mobile device.....71

 Printing from a flash drive.....72

 Printing information pages.....73

 Canceling a print job.....74

 Supported finishing features.....75

 Adjusting toner darkness.....77

Understanding printer menus.....78

 Menus list.....78

 Paper menu.....79

 Reports menu.....88

 Network/Ports menu.....89

 Security menu.....99

 Settings menu.....102

 Help menu.....120

Maintaining the printer.....122

 Cleaning the exterior of the printer.....122

 Storing supplies.....122

 Conserving supplies.....122

 Checking the status of supplies.....123

 Ordering supplies.....123

 Replacing supplies.....125

 Moving the printer.....130

Administrative support.....134

- Finding advanced networking and administrator information.....134
- Using the Embedded Web Server.....134
- Checking the virtual display.....134
- Checking the device status.....135
- Setting up e-mail alerts.....135
- Viewing reports.....135
- Restoring the factory default settings.....136

Troubleshooting.....137

- Solving basic problems.....137
- Understanding printer messages.....137
- Clearing jams.....152
- Solving printing problems.....176
- Solving option problems.....180
- Solving paper feed problems.....183
- Solving print quality problems.....184
- Contacting customer support.....195

Notices.....196


- Product information.....196
- Edition notice.....196
- Power consumption.....200


Index.....209

Safety information


Connect the power cord to a properly grounded electrical outlet that is near the product and easily accessible.


Do not place or use this product near water or wet locations.


 This product uses a ground fault circuit interrupter (GFCI). Monthly testing of the GFCI is recommended.

 **CAUTION—POTENTIAL INJURY:** This product uses a laser. Use of controls or adjustments or performance of procedures other than those specified herein may result in hazardous radiation exposure.

This product uses a printing process that heats the print media, and the heat may cause the media to release emissions. You must understand the section in your operating instructions that discusses the guidelines for selecting print media to avoid the possibility of harmful emissions.

 **CAUTION—HOT SURFACE:** The inside of the printer might be hot. To reduce the risk of injury from a hot component, allow the surface to cool before touching.

 **CAUTION—POTENTIAL INJURY:** The printer weight is greater than 18 kg (40 lb) and requires two or more trained personnel to lift it safely.


 **CAUTION—POTENTIAL INJURY:** Before moving the printer, follow these guidelines to avoid personal injury or printer damage:


- Turn the printer off using the power switch, and then unplug the power cord from the wall outlet.
- Disconnect all cords and cables from the printer before moving it.
- Lift the printer off the optional drawer, and set it aside instead of trying to lift the drawer and printer at the same time.

Note: Use the handholds located on both sides of the printer to lift it off the optional drawer.


Use only the power cord provided with this product or the manufacturer's authorized replacement.

Use only the telecommunications (RJ-11) cord provided with this product or a 26 AWG or larger replacement when connecting this product to the public switched telephone network.


 **CAUTION—SHOCK HAZARD:** If you are accessing the system board or installing optional hardware or memory devices sometime after setting up the printer, then turn the printer off, and unplug the power cord from the wall outlet before continuing. If you have any other devices attached to the printer, then turn them off as well, and unplug any cables going into the printer.


 **CAUTION—SHOCK HAZARD:** Make sure that all external connections (such as Ethernet and telephone system connections) are properly installed in their marked plug-in ports.


This product is designed, tested, and approved to meet strict global safety standards with the use of specific manufacturer's components. The safety features of some parts may not always be obvious. The manufacturer is not responsible for the use of other replacement parts.


 **CAUTION—POTENTIAL INJURY:** Do not cut, twist, bind, crush, or place heavy objects on the power cord. Do not subject the power cord to abrasion or stress. Do not pinch the power cord between objects such as furniture and walls. If any of these things happen, a risk of fire or electrical shock results. Inspect the power cord regularly for signs of such problems. Remove the power cord from the electrical outlet before inspecting it.

Refer service or repairs, other than those described in the user documentation, to a professional service person.

 **CAUTION—SHOCK HAZARD:** To avoid the risk of electric shock when cleaning the exterior of the printer, unplug the power cord from the wall outlet and disconnect all cables from the printer before proceeding.

 **CAUTION—SHOCK HAZARD:** If you are installing an optional tray after setting up the printer, turn the printer off and unplug the power cord, the USB cable, and the Ethernet cable before continuing.

 **CAUTION—SHOCK HAZARD:** Do not use the fax feature during a lightning storm. Do not set up this product or make any electrical or cabling connections, such as the fax feature, power cord, or telephone, during a lightning storm.

 **CAUTION—TIPPING HAZARD:** Floor-mounted configurations require additional furniture for stability. You must use either a printer stand or printer base if you are using a high-capacity input tray, a duplex unit and an input option, or more than one input option. If you purchased a multifunction printer (MFP) that scans, copies, and faxes, you may need additional furniture. For more information, see www.lexmark.com/multifunctionprinters.

SAVE THESE INSTRUCTIONS.

Learning about the printer


Thank you for choosing this printer!

We've worked hard to make sure it will meet your needs.

To start using your new printer right away, use the setup materials that came with the printer, and then skim the *User's Guide* to learn how to perform basic tasks. To get the most out of your printer, read the *User's Guide* carefully, and make sure you check the latest updates on our Web site.

We're committed to delivering performance and value with our printers, and we want to make sure you're satisfied. If you do encounter any problems along the way, one of our knowledgeable support representatives will be delighted to help you get back on track fast. And if you find something we could do better, please let us know. After all, you are the reason we do what we do, and your suggestions help us do it better.

Finding information about the printer

What are you looking for?	Find it here
Initial setup instructions: <ul style="list-style-type: none"> • Connecting the printer • Installing the printer software 	Setup documentation—The setup documentation came with the printer and is also available on the Lexmark Web site at http://support.lexmark.com .
Additional setup and instructions for using the printer: <ul style="list-style-type: none"> • Selecting and storing paper and specialty media • Loading paper • Configuring printer settings • Viewing and printing documents and photos • Setting up and using the printer software • Configuring the printer on a network • Caring for and maintaining the printer • Troubleshooting and solving problems 	<i>User's Guide</i> and <i>Quick Reference Guide</i> —The guides are available on the <i>Software and Documentation CD</i> . For updates, visit our Web site at http://support.lexmark.com .
Instructions for: <ul style="list-style-type: none"> • Connecting the printer to an Ethernet network • Troubleshooting printer connection problems 	<i>Networking Guide</i> —Open the <i>Software and Documentation CD</i> , and then look for <i>Printer and Software Documentation</i> under the Pubs folder. From the list of publications, click the Networking Guide link.
Help using the printer software	Windows or Mac Help—Open a printer software program or application, and then click Help . Click  to view context-sensitive information. Notes: <ul style="list-style-type: none"> • Help is automatically installed with the printer software. • The printer software is located in the printer program folder or on the desktop, depending on your operating system.

What are you looking for?	Find it here
<p>The latest supplemental information, updates, and customer support:</p> <ul style="list-style-type: none"> • Documentation • Driver downloads • Live chat support • E-mail support • Voice support 	<p>Lexmark Support Web site— http://support.lexmark.com</p> <p>Note: Select your country or region, and then select your product to view the appropriate support site.</p> <p>Support telephone numbers and hours of operation for your country or region can be found on the Support Web site or on the printed warranty that came with your printer.</p> <p>Record the following information (located on the store receipt and at the back of the printer), and have it ready when you contact customer support so that they may serve you faster:</p> <ul style="list-style-type: none"> • Machine Type number • Serial number • Date purchased • Store where purchased
<p>Warranty information</p>	<p>Warranty information varies by country or region:</p> <ul style="list-style-type: none"> • In the US—See the Statement of Limited Warranty included with this printer, or at http://support.lexmark.com. • In other countries and regions—See the printed warranty that came with your printer.

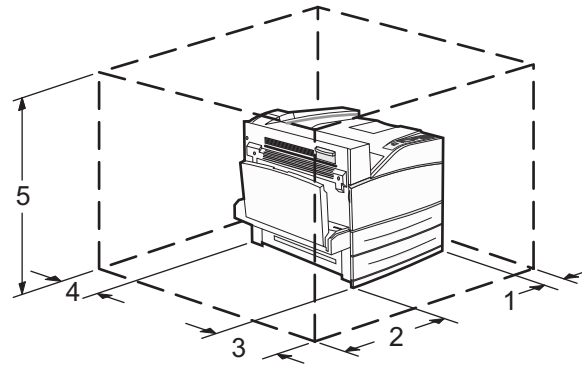
Selecting a location for the printer



CAUTION—POTENTIAL INJURY: The printer weight is greater than 18 kg (40 lb) and requires two or more trained personnel to lift it safely.

When selecting a location for the printer, leave enough room to open trays, covers, and doors. If you plan to install any options, leave enough room for them also. It is important to:

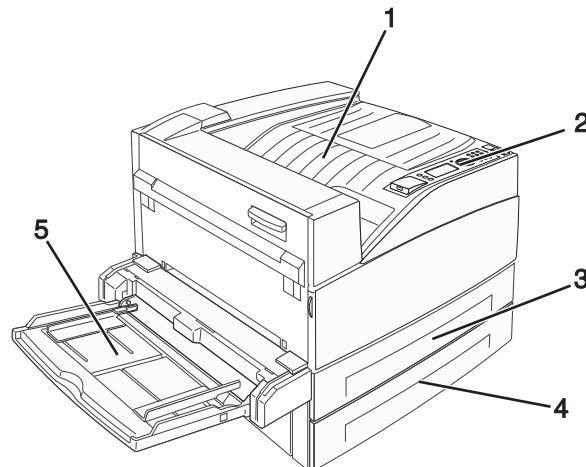
- Make sure airflow in the room meets the latest revision of the ASHRAE 62 standard.
- Provide a flat, sturdy, and stable surface.
- Keep the printer:
 - Away from the direct airflow of air conditioners, heaters, or ventilators
 - Free from direct sunlight, humidity extremes, or temperature fluctuations
 - Clean, dry, and free of dust
- Allow the following recommended amount of space around the printer for proper ventilation:



1	460 mm (18.1 in.)
2	640 mm (25.2 in.)
3	460 mm (18.1 in.)
4	200 mm (7.9 in.)
5	1724 mm (67.9 in.)

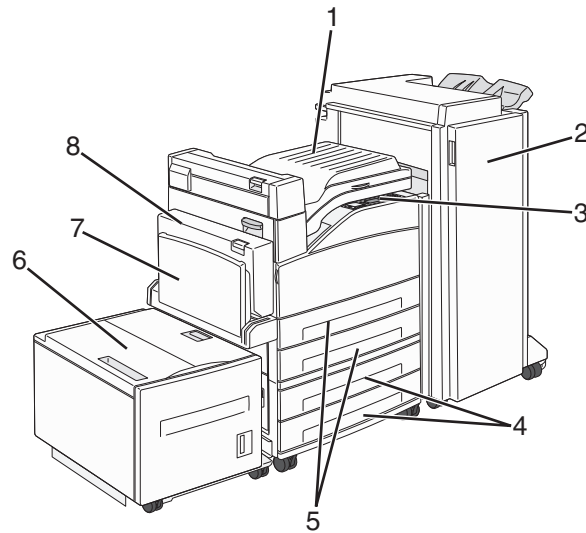
Printer configurations

Basic model



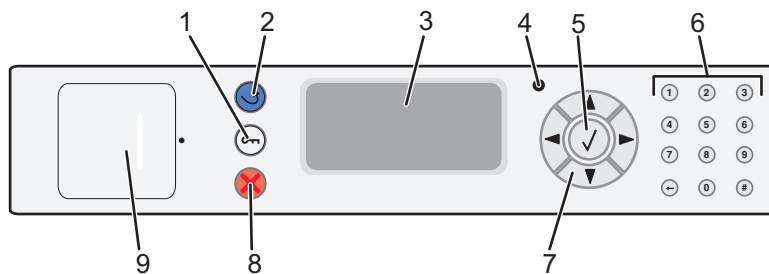
1	Standard exit bin
2	Printer control panel
3	Standard tray (Tray 1)
4	Standard tray (Tray 2)
5	Multipurpose feeder


Configured model








1	Bridge unit assembly
2	Finisher
3	Printer control panel
4	Optional 500-sheet trays (Tray 3 and Tray 4 or 2,000-sheet dual input trays)
5	Standard 500-sheet trays (Tray 1 and Tray 2)
6	Optional 2,000-sheet high capacity feeder (Tray 5)
7	Multipurpose feeder
8	Duplex unit

Understanding the printer control panel



Item	Description	
1	Menu button	Opens the menu index Note: The menus are available only when the printer is in the Ready state.
		

Item		Description
2	Back button 	Returns the display to the previous screen
3	Display	Shows messages that communicate the status of the printer
4	Indicator light	<ul style="list-style-type: none"> • Off—The power is off. • Blinking green—The printer is warming up, processing data, or printing. • Solid green—The printer is on, but idle. • Solid red—Operator intervention is needed.
5	Select button 	<ul style="list-style-type: none"> • Opens a menu item and displays the available values or settings. • Saves a displayed menu item as the new user default setting. <p>Notes:</p> <ul style="list-style-type: none"> • When a new setting is saved as the user default setting, it remains in effect until a new setting is saved or until factory default settings are restored. • Settings chosen from a software program can also change or override the user default settings selected from the printer control panel.
6	Keypad 	Enter numbers, letters, or symbols on the display.
7	Navigation buttons 	<p>Press the up or down arrow buttons to scroll through menus or menu items, or to increase or decrease a value when entering numbers.</p> <p>Press the left or right arrow buttons to scroll through menu settings (also called values or options), or to scroll through text that rolls to another screen.</p>
8	Stop button 	<p>Stops all printer activity</p> <p>A list of options is offered once Stopped appears on the display.</p>
9	USB port	<p>Insert a flash drive into the front of the printer to print saved files.</p> <p>Note: Only the front USB port supports flash drives.</p>

Minimizing your printer's environmental impact

Lexmark is committed to environmental sustainability and is continually improving its printers to reduce their impact on the environment. We design with the environment in mind, engineer our packaging to reduce materials, and provide collection and recycling programs. For more information, see:

- The Notices chapter
- The Environmental Sustainability section of the Lexmark Web site at www.lexmark.com/environment
- The Lexmark recycling program at www.lexmark.com/recycle

By selecting certain printer settings or tasks, you may be able to reduce your printer's impact even further. This chapter outlines the settings and tasks that may yield a greater environmental benefit.

Saving paper and toner

Using recycled paper and other office papers

As an environmentally conscious company, Lexmark supports the use of recycled office paper produced specifically for use in laser (electrophotographic) printers. In 1998, Lexmark presented to the US government a study demonstrating that recycled paper produced by major mills in the US fed as well as non-recycled paper. However, no blanket statement can be made that *all* recycled paper will feed well.

Lexmark consistently tests its printers with recycled paper (20–100% post-consumer waste) and a variety of test paper from around the world, using chamber tests for different temperature and humidity conditions. Lexmark has found no reason to discourage the use of today's recycled office papers, but generally the following property guidelines apply to recycled paper.

- Low moisture content (4–5%)
- Suitable smoothness (100–200 Sheffield units, or 140–350 Bendtsen units, European)

Note: Some much smoother papers (such as premium 24 lb laser papers, 50–90 Sheffield units) and much rougher papers (such as premium cotton papers, 200–300 Sheffield units) have been engineered to work very well in laser printers, despite surface texture. Before using these types of paper, consult your paper supplier.

- Suitable sheet-to-sheet coefficient of friction (0.4–0.6)
- Sufficient bending resistance in the direction of feed

Recycled paper, paper of lower weight (<60 g/m² [16 lb bond]) and/or lower caliper (<3.8 mils [0.1 mm]), and paper that is cut grain-short for portrait (or short-edge) fed printers may have lower bending resistance than is required for reliable paper feeding. Before using these types of paper for laser (electrophotographic) printing, consult your paper supplier. Remember that these are general guidelines only and that paper meeting these guidelines may still cause paper feeding problems in any laser printer (for example, if the paper curls excessively under normal printing conditions).

Saving energy

Adjusting Power Saver







Available settings range from 2–240 minutes. The factory default setting is 10 minutes.

To increase or decrease the number of minutes before the printer enters Power Saver mode, do one of the following:

Using the Embedded Web Server

- 1 Type the printer IP address into the address field of your Web browser.
Note: If you do not know the IP address of the printer, then print a network setup page and locate the IP address in the TCP/IP section.
- 2 Click **Settings**, and then click **General Settings**.
- 3 Click **Timeouts**.
- 4 In the Power Saver box, increase or decrease the number of minutes you want the printer to wait before it enters Power Saver mode.
- 5 Click **Submit**.

Using the printer control panel

- 1 Make sure the printer is on and **Ready** appears.
- 2 Press .
- 3 Press the up or down arrow button until **Settings** appears, and then press .
- 4 Press the up or down arrow button until **General Settings** appears, and then press .
- 5 Press the up or down arrow button until **Timeouts** appears, and then press .
- 6 Press the up or down arrow button until **Power Saver** appears, and then press .
- 7 Press the up or down arrow button to increase or decrease the number of minutes before the printer enters Power Saver mode, and then press .

Reducing printer noise






Use Quiet Mode to reduce the printer noise.

Note: See the table for the multiple settings that change when you select a Quiet Mode setting.

Choose	To
On	Reduce printer noise. <ul style="list-style-type: none"> • You may notice a reduction in processing speed. • Printer engine motors do not start until a job is ready to print. You may notice a short delay before the first page is printed. • Fans run at a reduced speed or are turned off. • If your printer has faxing capability, fax sounds are reduced or disabled, including those made by the fax speaker and ringer.

Choose	To
Off	Use factory default settings. This setting supports the performance specifications for your printer.

To select a Quiet Mode setting:

- 1 From the printer control panel, press .
- 2 Press the arrow buttons until **Settings** appears, and then press .
- 3 Press the arrow buttons until **General Settings** appears, and then press .
- 4 Press the arrow buttons until **Quiet Mode** appears, and then press .
- 5 Select the setting you want, and then press .
Submitting changes appears.

Recycling

Lexmark provides collection programs and environmentally progressive approaches to recycling. For more information, see:

- The Notices chapter
- The Environmental Sustainability section of the Lexmark Web site at www.lexmark.com/environment
- The Lexmark recycling program at www.lexmark.com/recycle

Recycling Lexmark products


To return Lexmark products for recycling:

- 1 Go to www.lexmark.com/recycle.
- 2 Find the product type you want to recycle, and then select your country or region from the list.
- 3 Follow the instructions on the computer screen.

Note: Printer supplies and hardware not listed in the Lexmark collection program may be recycled through your local recycling center. Contact your local recycling center to determine the items they accept.

Additional printer setup

Installing internal options

 **CAUTION—SHOCK HAZARD:** If you are accessing the system board or installing optional hardware or memory devices sometime after setting up the printer, then turn the printer off, and unplug the power cord from the wall outlet before continuing. If you have any other devices attached to the printer, then turn them off as well, and unplug any cables going into the printer.

You can customize your printer connectivity and memory capacity by adding optional cards. The instructions in this section explain how to install the available cards; you can also use them to locate a card for removal.

Available internal options

- Memory cards
 - Printer memory
 - Flash memory
 - Fonts
- Firmware cards
 - Bar Code and Forms
 - IPDS and SCS/TNe
 - PrintCryption™
- Printer hard disk
- Lexmark™ Internal Solutions Ports (ISP)
 - RS-232-C Serial ISP
 - Parallel 1284-B ISP
 - MarkNet™ N8150 802.11 b/g/n Wireless ISP
 - MarkNet N8130 10/100 Fiber ISP
 - MarkNet N8120 10/100/1000 Ethernet ISP

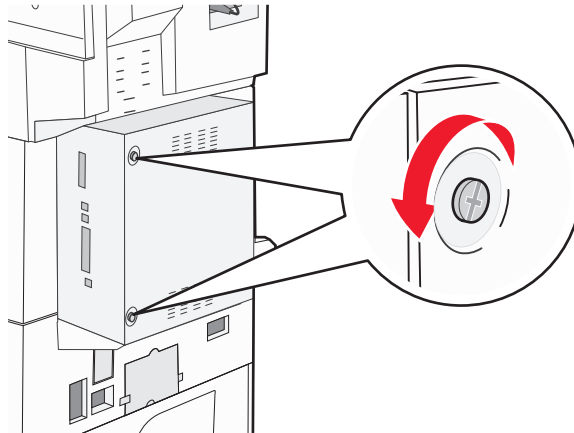
All of these options may not be available. For more information, contact the place where you purchased the printer.

Accessing the system board to install internal options

⚠ CAUTION—SHOCK HAZARD: If you are accessing the system board or installing optional hardware or memory devices sometime after setting up the printer, then turn the printer off, and unplug the power cord from the wall outlet before continuing. If you have any other devices attached to the printer, then turn them off as well, and unplug any cables going into the printer.

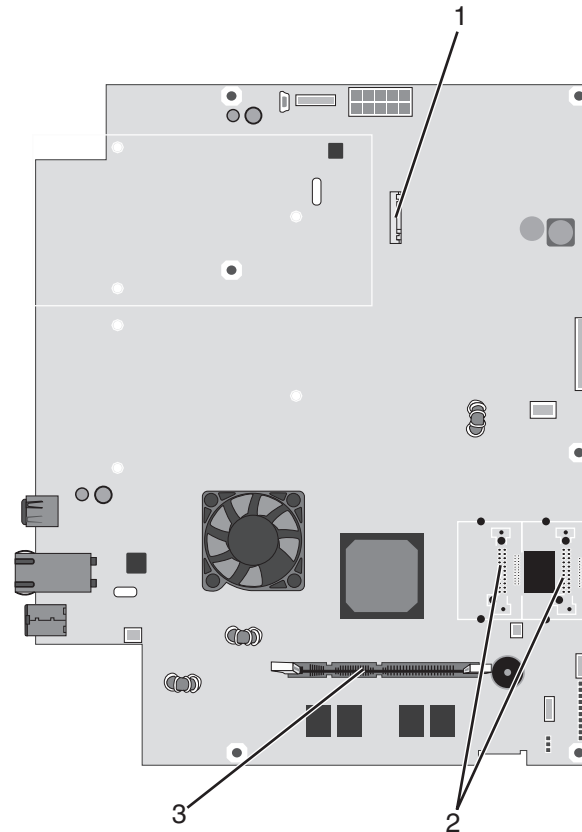
Note: This task requires a flathead screwdriver.

- 1 Remove the cover.
 - a Turn the screws on the cover counterclockwise to loosen them, but do not remove them.



- b Pull the cover forward to remove it.
- 2 Use the following illustration to locate the appropriate connector.

Warning—Potential Damage: System board electronic components are easily damaged by static electricity. Touch something metal on the printer before touching any system board electronic components or connectors.



1	Hard disk connector
2	Flash memory or firmware card connectors
3	Printer memory card connector

Installing a memory card

CAUTION—SHOCK HAZARD: If you are installing memory or option cards sometime after setting up the printer, then turn the printer off and unplug the power cord from the wall outlet before continuing. If you have any other devices attached to the printer, then turn them off as well and unplug any cables going to the printer.

Warning—Potential Damage: System board electronic components are easily damaged by static electricity. Touch something metal on the printer before touching any system board electronic components or connectors.

An optional memory card can be purchased separately and attached to the system board. To install the memory card:

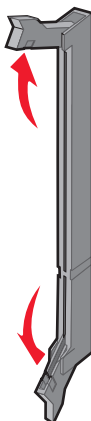
- 1 Access the system board.

Note: This task requires a flathead screwdriver.

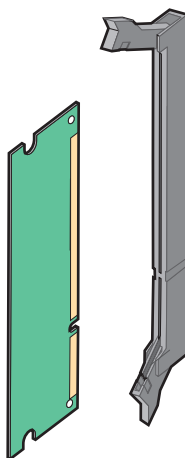
- 2 Unpack the memory card.

Note: Avoid touching the connection points along the edge of the card.

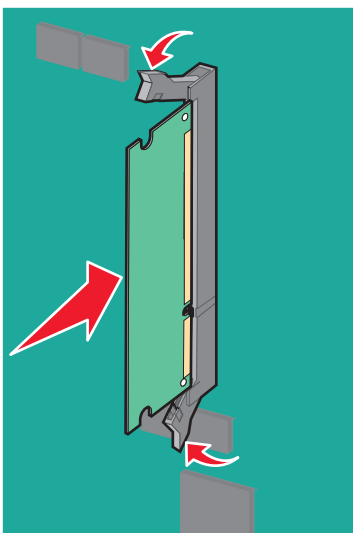
3 Open the memory card connector latches.



4 Align the notch on the memory card with the ridge on the connector.



5 Push the memory card straight into the connector until it *clicks* into place.



6 Reattach the system board cover.

Installing a flash memory or firmware card

The system board has two connections for an optional flash memory or firmware card. Only one of each may be installed, but the connectors are interchangeable.

CAUTION—SHOCK HAZARD: If you are accessing the system board or installing optional hardware or memory devices sometime after setting up the printer, then turn the printer off, and unplug the power cord from the wall outlet before continuing. If you have any other devices attached to the printer, then turn them off as well, and unplug any cables going into the printer.

Warning—Potential Damage: System board electronic components are easily damaged by static electricity. Touch something metal on the printer before touching any system board electronic components or connectors.

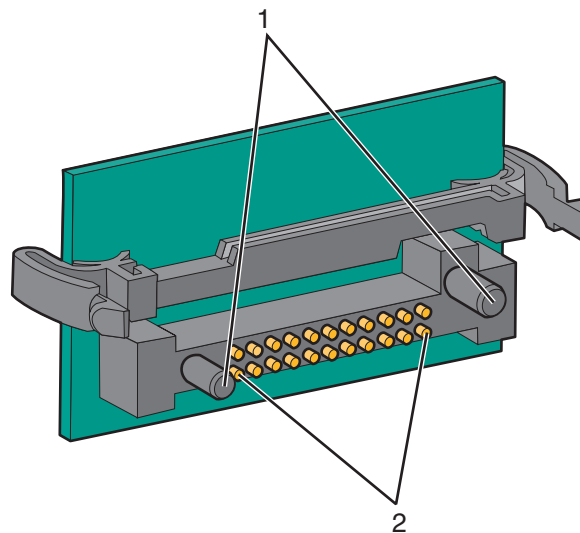
- 1 Access the system board.

Note: This task requires a flathead screwdriver.

- 2 Unpack the card.

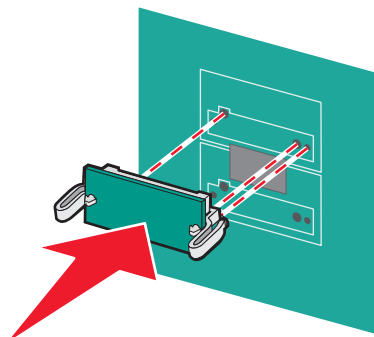
Note: Avoid touching the connection points along the edge of the card.

- 3 Holding the card by its sides, align the plastic pins on the card with the holes on the system board.



1	Plastic pins
2	Metal pins

- 4 Push the card firmly into place.



Notes:

- The entire length of the connector on the card must touch and be flush against the system board.
- Be careful not to damage the connectors.

5 Reattach the system board cover.

Installing an internal print server or port interface card

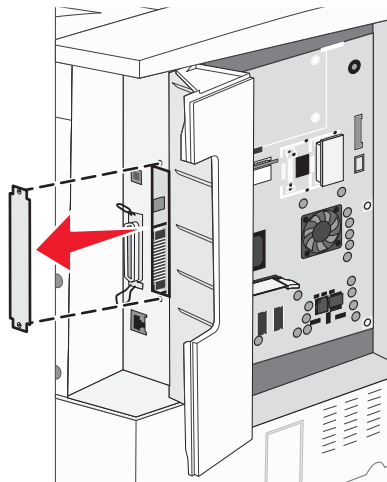
CAUTION—SHOCK HAZARD: If you are accessing the system board or installing optional hardware or memory devices sometime after setting up the printer, then turn the printer off, and unplug the power cord from the wall outlet before continuing. If you have any other devices attached to the printer, then turn them off as well, and unplug any cables going into the printer.

Warning—Potential Damage: System board electrical components are easily damaged by static electricity. Touch something metal on the printer before touching any system board electronic components or connectors.

Note: A #2 Phillips screwdriver is needed to install an internal print server or port interface card.

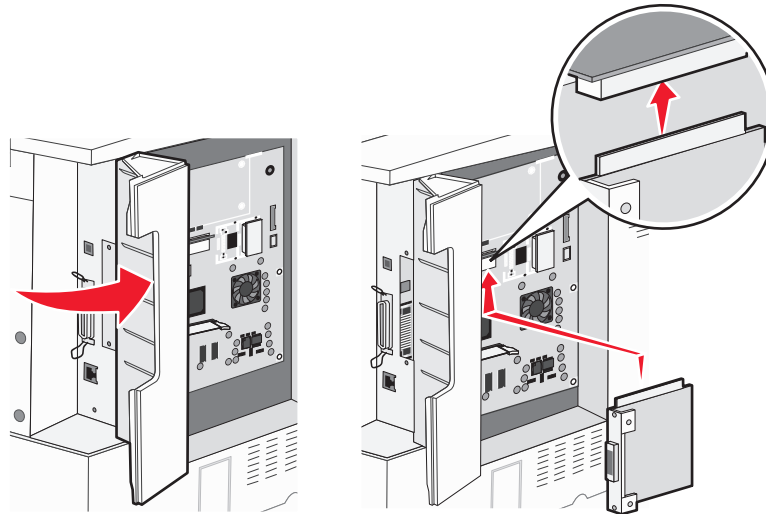
An internal print server allows connection from the printer to the *local area network* (LAN). An optional port interface card expands the ways the printer can connect to a computer or external print server.

- 1 Access the system board.
- 2 Unpack the internal print server or port interface card.
- 3 Remove the metal plate on the system board tray that covers the connector slot and save the metal plate.

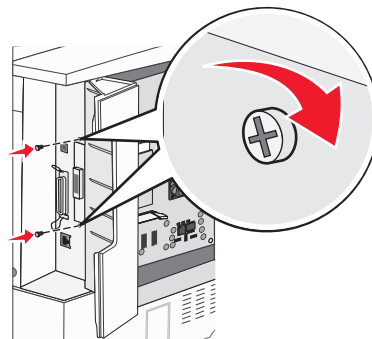


- 4 Align the connector on the internal print server or port interface card with the connector on the system board.

Note: The cable connectors on the side of the optional card must fit through the opening in the faceplate.



- 5 Push the internal print server or port interface card firmly into the card connector on the system board.
- 6 Insert a screw into the hole on the right side of the connector slot. Gently tighten the screw to secure the card to the system board tray.



- 7 Reinstall the system board.

Installing a printer hard disk

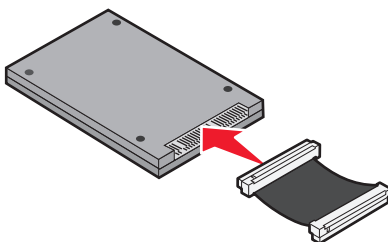
⚠ CAUTION—SHOCK HAZARD: If you are accessing the system board or installing optional hardware or memory devices sometime after setting up the printer, then turn the printer off, and unplug the power cord from the wall outlet before continuing. If you have any other devices attached to the printer, then turn them off as well, and unplug any cables going into the printer.

Warning—Potential Damage: System board electrical components and hard disks are easily damaged by static electricity. Touch something metal on the printer before touching any system board electronic components, connectors, or the hard disk.

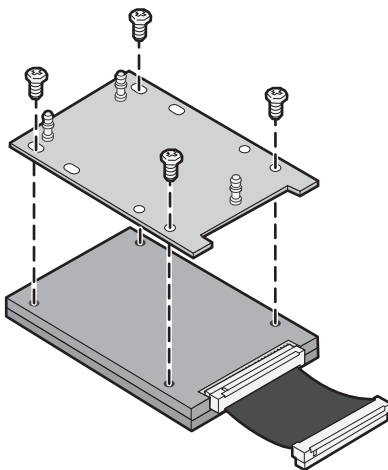
Note: A #2 Phillips screwdriver is needed to attach the hard disk to the mounting plate.

- 1 Access the system board.
- 2 Remove the mounting plate, hard disk, ribbon cable, and attachment screws from the package.

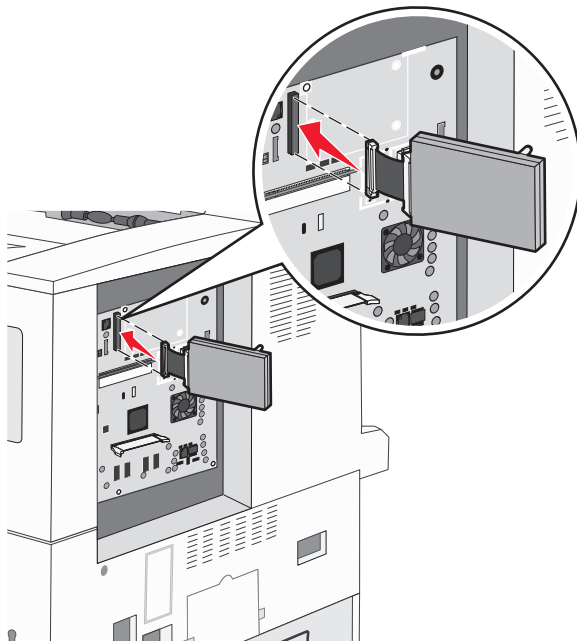
3 Attach the ribbon cable to the hard disk.



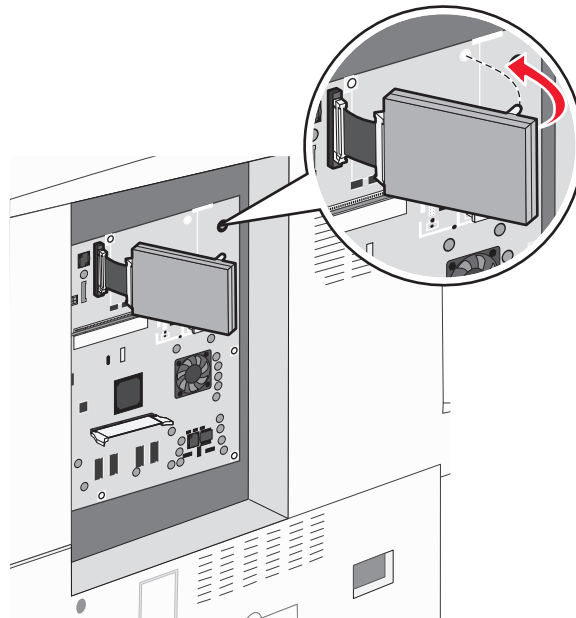
4 Attach the mounting plate to the hard disk with the screws.



5 Press the ribbon cable connector into the hard disk connector on the system board.



- 6 Flip the hard disk over, and then press the three posts on the mounting plate into the holes on the system board. The hard disk *snaps* into place.



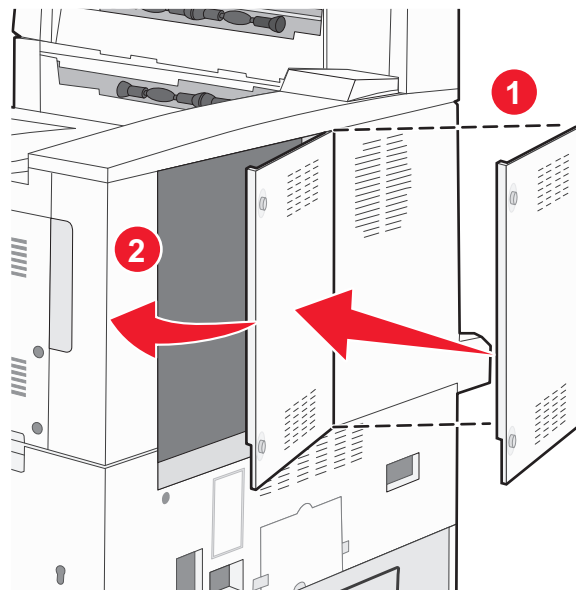
- 7 Reinstall the system board.

Replacing the access panel

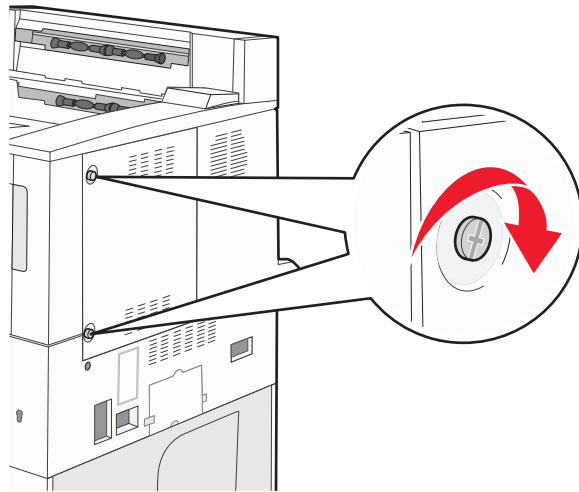
After you have installed options on the printer system board, follow these steps to reattach the access panel.

Note: This operation requires a #2 Phillips screwdriver.

- 1 Align the tabs on the right side of the access panel with the slots on the printer.
- 2 Slide the panel to the right, and then push it towards the printer.



3 Tighten the screws.



4 Plug the printer power cord back into a properly grounded electrical outlet, and then turn the printer on.

Installing hardware options

Order of installation

⚠ CAUTION—TIPPING HAZARD: Floor-mounted configurations require additional furniture for stability. You must use either a printer stand or printer base if you are using a high-capacity input tray, a duplex unit and an input option, or more than one input option. If you purchased a multifunction printer (MFP) that scans, copies, and faxes, you may need additional furniture. For more information, see www.lexmark.com/multifunctionprinters.

Install the printer and any options you have purchased in the following order:

⚠ CAUTION—SHOCK HAZARD: If you are accessing the system board or installing optional hardware or memory devices sometime after setting up the printer, then turn the printer off, and unplug the power cord from the wall outlet before continuing. If you have any other devices attached to the printer, then turn them off as well, and unplug any cables going into the printer.

- Printer stand or caster base
- 2,000-sheet dual trays and high capacity feeder
- Standard or optional 500-sheet trays
- Duplex unit
- Printer

⚠ CAUTION—POTENTIAL INJURY: The printer weight is greater than 18 kg (40 lb) and requires two or more trained personnel to lift it safely.

For more information on installing a printer stand, caster base, or 2,000-sheet tray, see the setup documentation that came with the option.

Installing optional trays

The printer supports the following optional input sources:

- 2 Tray Module (two 500-sheet trays)
- 2,000-sheet dual input trays
- 2,000-sheet high capacity feeder
- Duplex unit

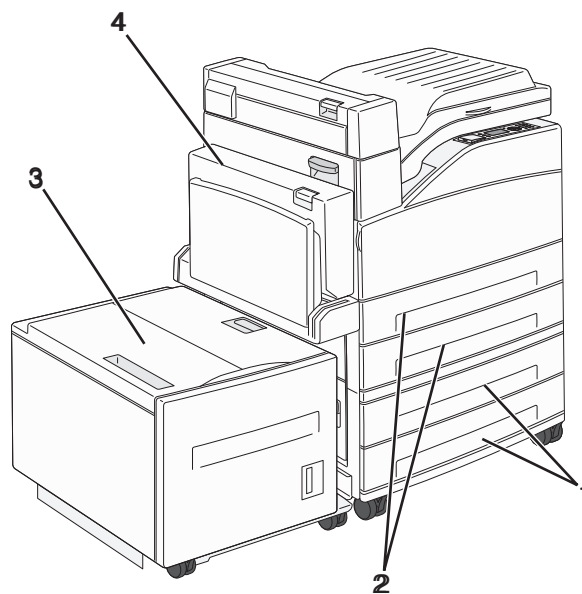
CAUTION—POTENTIAL INJURY: The printer weight is greater than 18 kg (40 lb) and requires two or more trained personnel to lift it safely.

CAUTION—SHOCK HAZARD: If you are installing an optional tray after setting up the printer, then turn the printer off and unplug the power cord, the USB cable, and the Ethernet cable before continuing.

- 1 Unpack the optional tray, and remove all packing material.
- 2 Place the tray in the location chosen for the printer.

Note: If you are installing more than one optional tray, the 2,000-sheet dual input trays must always be installed as the first optional trays (configuring from the bottom up).

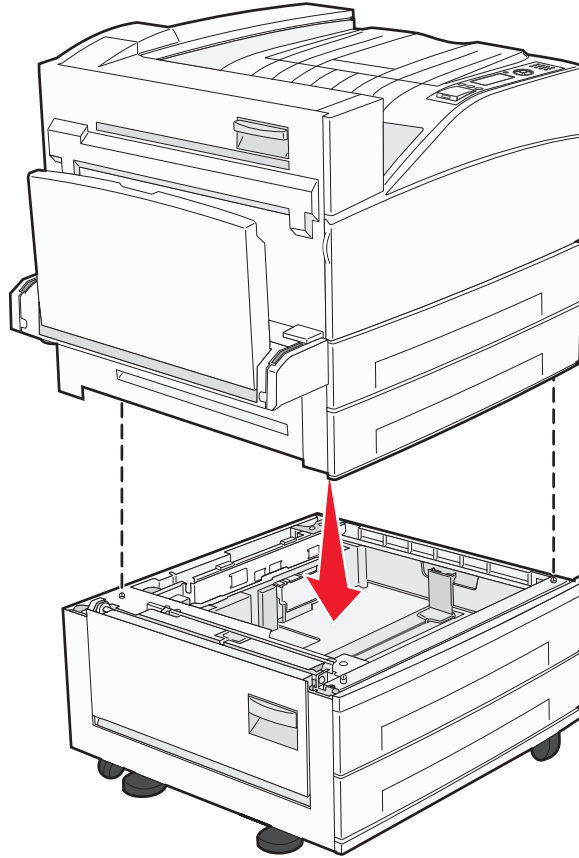
Note: The optional 500-sheet trays and optional 2,000-sheet dual input trays are interchangeable.



1	Tray 3 and Tray 4 (500-sheet trays or 2,000-sheet dual input trays)
2	Tray 1 and Tray 2 (500-sheet trays)
3	Tray 5 (2,000-sheet high capacity feeder)
4	Duplex unit

Note: Optional trays lock together when stacked. Remove stacked trays one at a time from the top down.

- 3 Align the printer with the tray, and then lower the printer into place.



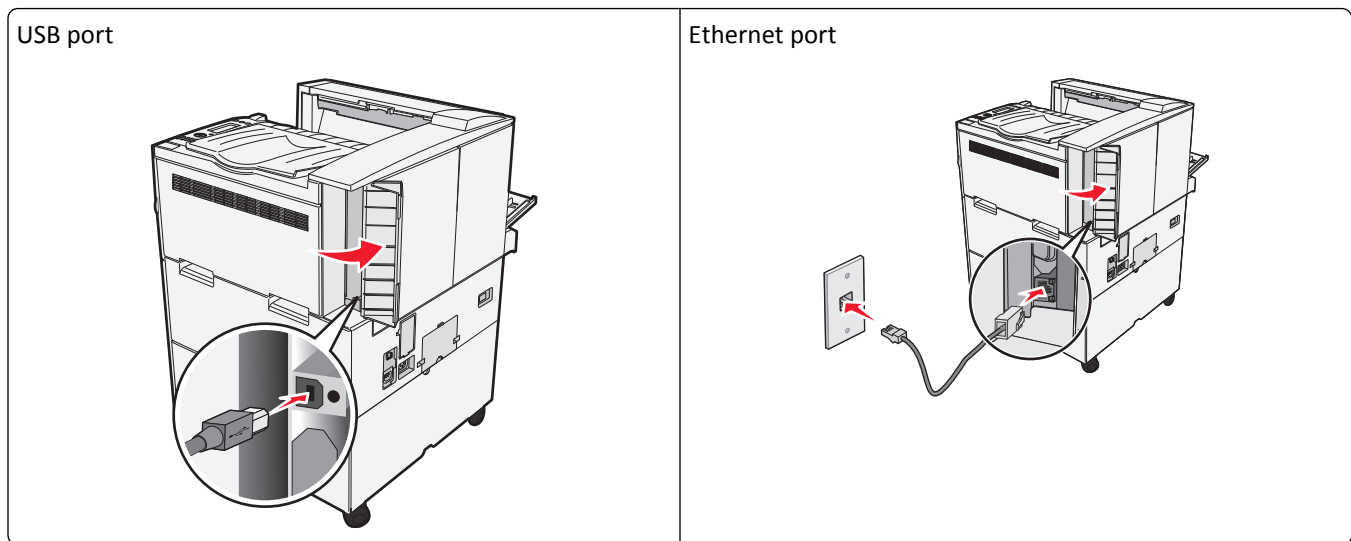
- 4 Turn the printer back on.
- 5 Set the printer software to recognize the optional input source. For more information, see “Updating available options in the printer driver” on page 29.

Attaching cables

Connect the printer to the computer using a USB cable or Ethernet cable.

Be sure to match the following:

- The USB symbol on the cable with the USB symbol on the printer
- The appropriate Ethernet cable to the Ethernet port






Verifying printer setup

- Print a menu settings page to verify that all printer options are installed correctly. A list of installed options appears toward the bottom of the page. If an option you installed is not listed, then it is not installed correctly. Remove the option and install it again.
- Print a network setup page to verify that your printer is correctly connected to the network. This page also provides important information that aids network printing configuration.

Printing a menu settings page

Print a menu settings page to review the current menu settings and to verify printer options are installed correctly.




Note: If you have not made any menu item settings changes yet, then the menu settings page lists all the factory default settings. Once you select and save other settings from the menus, they replace the factory default settings as *user default settings*. A user default setting remains in effect until you access the menu again, choose another value, and save it. To restore the factory default settings, see “Restoring the factory default settings” on page 136.

- 1 Make sure the printer is on and **Ready** appears.
- 2 From the printer control panel, press .
- 3 Press the up or down arrow button until **Reports** appears, and then press .
- 4 Press the up or down arrow button until **Menu Settings Page** appears, and then press .

After the menu settings page prints, the printer returns to the **Ready** state.

Printing a network setup page

If the printer is attached to a network, then print a network setup page to verify the network connection. This page also provides important information that aids network printing configuration.

- 1 Make sure the printer is on and **Ready** appears.
- 2 From the printer control panel, press .
- 3 Press the up or down arrow button until **√Reports** appears, and then press .
- 4 Press the up or down arrow button until **√Network Setup Page** appears, and then press .

Note: If an optional internal print server is installed, **Print Network <x> Setup Page** appears.

- 5 Check the first section on the network setup page, and confirm that Status is “Connected.”

If Status is “Not Connected,” the LAN drop may not be active, or the network cable may be malfunctioning. Consult a system support person for a solution, and then print another network setup page.

Setting up the printer software

Installing the printer software

Notes:

- If you installed the printer software on the computer before but need to reinstall the software, then uninstall the current software first.
- Close all open software programs before installing the printer software.

- 1 Obtain a copy of the software installer package.
 - From the *Software and Documentation* CD that came with your printer.
 - From our Web site:
Go to <http://support.lexmark.com>, and then navigate to:
SUPPORT & DOWNLOAD > select your printer > select your operating system

- 2 Double-click the software installer package.

Wait for the installation dialog to appear.


If you are using a *Software and Documentation* CD and the installation dialog does not appear, then do the following:

In Windows 8

From the Search charm, type **run**, and then navigate to:

Apps list > **Run** > type **D:\setup.exe** > **OK**.

In Windows 7 or earlier

- a Click  or click **Start**, and then click **Run**.
- b In the Start Search or Run dialog, type **D:\setup.exe**.
- c Press **Enter**, or click **OK**.

In Macintosh

Click the CD icon on the desktop.

Note: D is the letter of your CD or DVD drive.

- 3 Click **Install**, and then follow the instructions on the computer screen.

Updating available options in the printer driver

When any hardware options are installed, you may need to manually add the options in the printer driver to make them available for use.

For Windows users


- 1 Open the printers folder.

In Windows 8

From the Search charm, type **run**, and then navigate to:

Apps list > **Run** > type **control printers** > **OK**

In Windows 7 or earlier

- a Click  or click **Start**, and then click **Run**.
- b In the Start Search or Run dialog, type **control printers**.
- c Press **Enter**, or click **OK**.

- 2 Depending on your device, do either of the following:
 - Press and hold the printer you want to update.
 - Right-click the printer you want to update.
- 3 From the menu that appears, do either of the following:
 - For Windows 7 or later, select **Printer properties**.
 - For earlier versions, select **Properties**.
- 4 Click the **Configuration** tab.
- 5 Do either of the following:
 - Click **Update Now - Ask Printer**.
 - Under Configuration Options, manually add any installed hardware options.
- 6 Click **Apply**.

For Macintosh users

- 1 From the Apple menu, navigate to either of the following:
 - **System Preferences** > **Print & Scan** > select your printer > **Options & Supplies** > **Driver**
 - **System Preferences** > **Print & Fax** > select your printer > **Options & Supplies** > **Driver**
- 2 Add any installed hardware options, and then click **OK**.

Setting up wireless printing

Follow these instructions if your printer model is wireless.

Note: A Service Set Identifier (SSID) is a name assigned to a wireless network. Wireless Encryption Protocol (WEP) and Wi-Fi Protected Access (WPA) are types of security used on a network.

Preparing to set up the printer on a wireless network

Notes:

- Make sure your access point (wireless router) is turned on and is working properly.
- Do not connect the installation or network cables until prompted to do so by the setup software.

Make sure you have the following information before setting up the printer on a wireless network:

- **SSID**—The SSID is also referred to as the network name.
- **Wireless Mode (or Network Mode)**—The mode is either infrastructure or ad hoc.
- **Channel (for ad hoc networks)**—The channel defaults to automatic for infrastructure networks.

Some ad hoc networks will also require the automatic setting. Check with your system support person if you are not sure which channel to select.

- **Security Method**—There are four basic options for Security Method:

- WEP key

If your network uses more than one WEP key, then enter up to four in the provided spaces. Select the key currently in use on the network by selecting the default WEP transmit key.

- WPA or WPA2 preshared key or passphrase

WPA includes encryption as an additional layer of security. The choices are AES or TKIP. Encryption must be set for the same type on the router and on the printer, or the printer will not be able to communicate on the network.

- 802.1X–RADIUS

If you are installing the printer on an 802.1X network, then you may need the following:

- Authentication type
- Inner authentication type
- 802.1X user name and password
- Certificates

- No security

If your wireless network does not use any type of security, then you will not have any security information.

Note: Using an unsecured wireless network is not recommended.

Notes:

- If you do not know the SSID of the network that your computer is connected to, then launch the wireless utility of the computer network adapter, and then look for the network name. If you cannot find the SSID or the security information for your network, then see the documentation that came with the access point or contact your system support person.

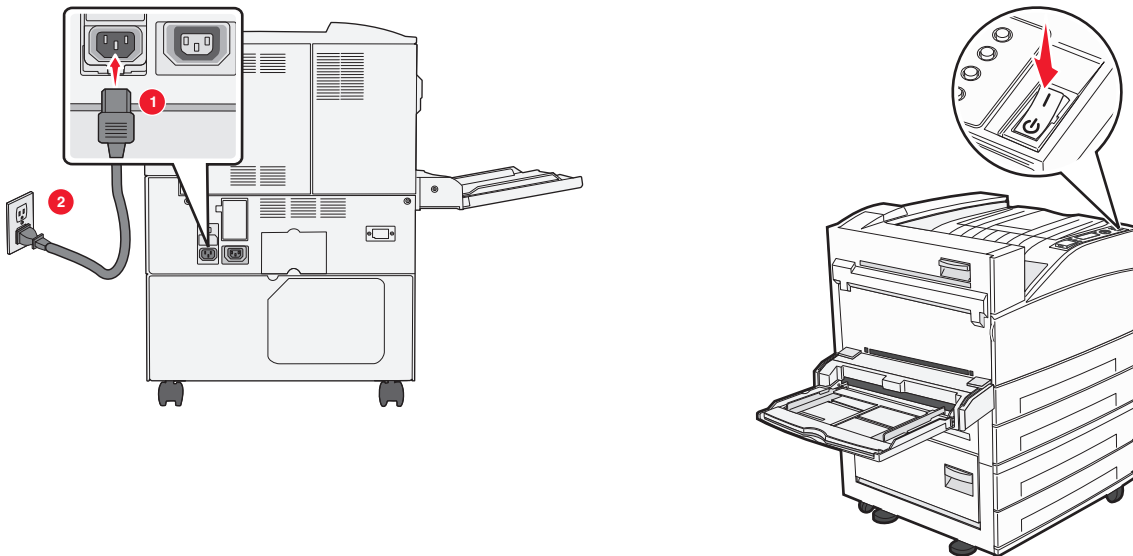
- To find the WPA/WPA2 preshared key or passphrase for the wireless network, see the documentation that came with the access point, see the Embedded Web Server associated with the access point, or consult your system support person.

Installing the printer on a wireless network (Windows)

Before installing the printer on a wireless network, make sure:

- Your wireless network is set up and is working properly.
- The computer you are using is connected to the same wireless network where you want to set up the printer.

1 Connect the power cord to the printer, then to a properly grounded electrical outlet, and then turn on the printer.



Note: Make sure the printer and the computer are fully on and ready.

Warning—Potential Damage: Do not connect the USB cable until instructed to do so on the computer screen.



2 Obtain a copy of the software installer package.

- From the *Software and Documentation* CD that came with your printer.
- From our Web site:

Go to <http://support.lexmark.com>, and then navigate to:

SUPPORT & DOWNLOAD > select your printer > select your operating system

3 Double-click the software installer package.

Wait for the installation dialog to appear.


If you are using the *Software and Documentation* CD and the installation dialog does not appear, then do the following:

In Windows 8

From the Search charm, type **run**, and then navigate to:

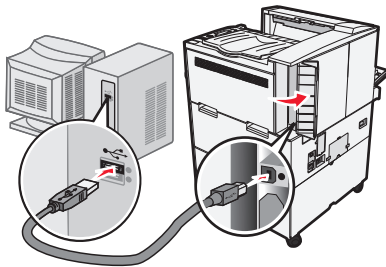
Apps list > **Run** > type **D:\setup.exe** > **OK**

In Windows 7 or earlier

- a Click  or click **Start**, and then click **Run**.
- b In the Start Search or Run dialog, type **D:\setup.exe**.
- c Press **Enter** or click **OK**.

Note: D is the letter of your CD or DVD drive.

- 4 Click **Install**, and then follow the instructions on the computer screen.
- 5 Select **Wireless connection** when asked to choose a connection type.
- 6 From the Wireless Configuration dialog, select **Guided Setup (Recommended)**.
Note: Choose **Advanced Setup** only if you want to customize your installation.
- 7 Temporarily connect a USB cable between the computer on the wireless network and the printer.



Note: After the printer is configured, the software will instruct you to disconnect the temporary USB cable so you can print wirelessly.

- 8 Follow the instructions on the computer screen.

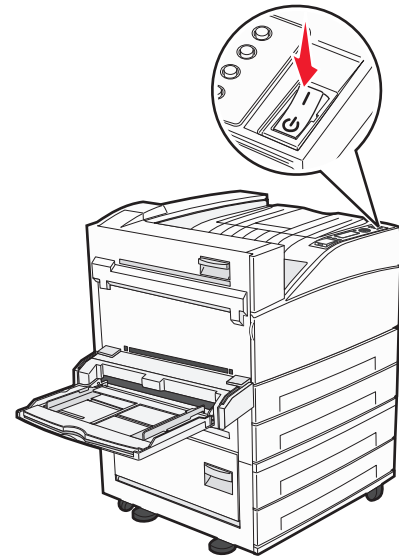
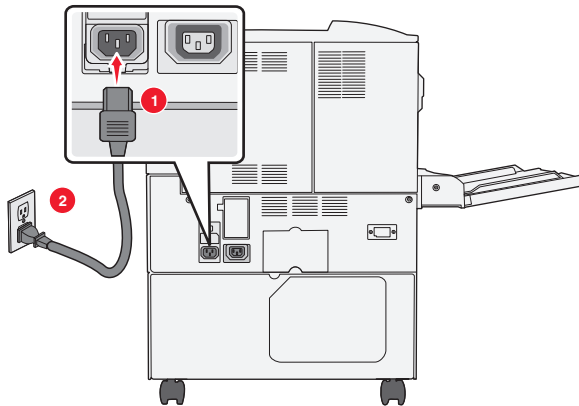
Note: For more information on allowing other computers on the network to use the wireless printer, see the *Networking Guide*.

Installing the printer on a wireless network (Macintosh)

Note: Make sure to disconnect the Ethernet cable when installing the printer on a wireless network.

Prepare to configure the printer

- 1 Connect the power cord to the printer, then to a properly grounded electrical outlet, and then turn on the printer.



2 Locate the printer MAC address.

a From the printer control panel, navigate to:

 > **Reports** >  > **Network Setup Page** > 
 or

 > **Reports** > **Network Setup Page**

b In the Standard Network Card section, look for **UAA (MAC)**.

Note: You will need this information later.

Enter the printer information

1 Access the AirPort options:

In Mac OS X version 10.5 or later

From the Apple menu, navigate to either of the following:

- **System Preferences** > **Network** > **Wi-Fi**
- **System Preferences** > **Network** > **AirPort**

In Mac OS X version 10.4

From the Finder, navigate to:

Applications > **Internet Connect** > **AirPort**

2 From the Network Name pop-up menu, select **print server [yyyyyy]**, where the **y**'s are the last six digits of the MAC address located on the MAC address sheet.

3 Open a Web browser.

4 From the Bookmarks menu, select **Show** or **Show All Bookmarks**.

5 Under COLLECTIONS, select **Bonjour** or **Rendezvous**, and then double-click the printer name.

Note: The application referred to as *Rendezvous* in Mac OS X version 10.2 is now called *Bonjour* by Apple Inc.

6 From the Embedded Web Server, navigate to the location of the wireless settings information.

Configure the printer for wireless access

- 1 Type the network name (SSID) in the appropriate field.
- 2 Select **Infrastructure** as your Network Mode setting if you are using an access point (wireless router).
- 3 Select the type of security you want to use to protect the wireless network.
- 4 Enter the security information necessary for the printer to connect to the wireless network.
- 5 Click **Submit**.
- 6 Open the AirPort application on the computer:

In Mac OS X version 10.5 or later

From the Apple menu, navigate to either of the following:

- **System Preferences > Network > Wi-Fi**
- **System Preferences > Network > AirPort**

In Mac OS X version 10.4

From the Finder, navigate to:

Applications > Internet Connect > AirPort

- 7 From the Network pop-up menu, select the name of the wireless network.

Configure your computer to use the printer wirelessly

To print on a network printer, each Macintosh user must install a custom printer driver file and create a print queue in the Printer Setup Utility or Print Center.

- 1 Install a printer driver file on the computer:
 - a Obtain a copy of the software installer package.
 - From the *Software and Documentation* CD that came with your printer.
 - From our Web site:
Go to <http://support.lexmark.com>, and then navigate to:
SUPPORT & DOWNLOAD > select your printer > select your operating system
 - b Double-click the installer package for the printer.
 - c Follow the instructions on the computer screen.
 - d Select a destination, and then click **Continue**.
 - e From the Easy Install screen, click **Install**.
 - f Type the user password, and then click **OK**.
All necessary applications are installed in the computer.
 - g Click **Close** when the installation is complete.
- 2 Add the printer:
 - a For IP printing:

In Mac OS X version 10.5 or later

- 1 From the Apple menu, navigate to either of the following:
 - **System Preferences > Print & Scan**
 - **System Preferences > Print & Fax**

- 2 Click +.
- 3 If necessary, click **Add Printer or Scanner** or **Add Other Printer or Scanner**.
- 4 Click the **IP** tab.
- 5 Type the IP address of the printer in the address field, and then click **Add**.

In Mac OS X version 10.4

- 1 From the Finder, navigate to:
Applications > Utilities
- 2 Double-click **Printer Setup Utility** or **Print Center**.
- 3 From the Printer List, choose **Add**, and then click **IP Printer**.
- 4 Type the IP address of the printer in the address field, and then click **Add**.

b For AppleTalk printing:

Notes:

- Make sure AppleTalk is activated on your printer.
- This feature is supported only in Mac OS X version 10.5 or earlier.

In Mac OS X version 10.5

- 1 From the Apple menu, navigate to:
System Preferences > Print & Fax
- 2 Click +, and then navigate to:
AppleTalk > select the printer from the list > Add

In Mac OS X version 10.4

- 1 From the Finder, navigate to:
Applications > Utilities
- 2 Double-click **Printer Setup Utility** or **Print Center**.
- 3 From the Printer List, click **Add**.
- 4 Click **Default Browser** tab > **More Printers**.
- 5 From the first pop-up menu, select **AppleTalk**.
- 6 From the second pop-up menu, select **Local AppleTalk Zone**.
- 7 Select the printer from the list, and then click **Add**.

Installing the printer on an Ethernet network

Note: Make sure you have completed the initial setup of the printer.

For Windows users

- 1 Obtain a copy of the software installer package.
 - From the *Software and Documentation* CD that came with your printer.
 - From our Web site:
Go to <http://support.lexmark.com>, and then navigate to:
SUPPORT & DOWNLOAD > select your printer > select your operating system
- 2 Double-click the software installer package.
Wait for the installation dialog to appear.


If you are using the *Software and Documentation* CD and the installation dialog does not appear, then do the following:

In Windows 8

From the Search charm, type **run**, and then navigate to:

Apps list > **Run** > type **D:\setup.exe** > **OK**

In Windows 7 or earlier

- a Click  or click **Start**, and then click **Run**.
- b In the Start Search or Run dialog, type **D:\setup.exe**.
- c Press **Enter** or click **OK**.

Note: D is the letter of your CD or DVD drive.

- 3 Click **Install**, and then follow the instructions on the computer screen.

Note: To configure the printer using a static IP address, IPv6, or scripts, select **Advanced Options > Administrator Tools**.

- 4 Select **Ethernet connection**, and then click **Continue**.
- 5 Attach the Ethernet cable when instructed to do so.
- 6 Select the printer from the list, and then click **Continue**.

Note: If the configured printer does not appear in the list, then click **Modify Search**.

- 7 Follow the instructions on the computer screen.

For Macintosh users

- 1 Allow the network DHCP server to assign an IP address to the printer.
- 2 Obtain the printer IP address either:
 - From the printer control panel
 - From the TCP/IP section in the Network/Ports menu
 - By printing a network setup page or menu settings page, and then finding the TCP/IP section

Note: You will need the IP address if you are configuring access for computers on a different subnet than the printer.

- 3 Install the printer driver on the computer.
 - a Double-click the installer package for the printer.
 - b Follow the instructions on the computer screen.
 - c Select a destination, and then click **Continue**.
 - d From the Easy Install screen, click **Install**.
 - e Type the user password, and then click **OK**.
All the necessary applications are installed on the computer.
 - f Click **Close** when the installation is complete.
- 4 Add the printer.
 - For IP printing:

In Mac OS X version 10.5 or later

- a From the Apple menu, navigate to either of the following:
 - **System Preferences > Print & Scan**
 - **System Preferences > Print & Fax**
- b Click +.
- c If necessary, click **Add Printer or Scanner** or **Add Other Printer or Scanner**.
- d Click the **IP** tab.
- e Type the printer IP address in the address field, and then click **Add**.

In Mac OS X version 10.4 or earlier

- a From the Finder, navigate to:
Applications > Utilities
 - b Double-click **Printer Setup Utility** or **Print Center**.
 - c From the printer list, click **Add**, and then click **IP Printer**.
 - d Type the scanner IP address in the address field, and then click **Add**.
- For AppleTalk printing:

Notes:

- Make sure AppleTalk is activated on your printer.
- This feature is supported only in Mac OS X version 10.5 or earlier.

In Mac OS X version 10.5

- a From the Apple menu, navigate to:
System Preferences > Print & Fax
- b Click +, and then navigate to:
AppleTalk > select your printer > Add

In Mac OS X version 10.4 or earlier

- a From the Finder, navigate to:
Applications > Utilities
- b Double-click **Printer Setup Utility** or **Print Center**.
- c From the printer list, click **Add**.
- d Click **Default Browser** tab > **More Printers**.
- e From the first pop-up menu, select **AppleTalk**.
- f From the second pop-up menu, select **Local AppleTalk Zone**.
- g Select the device from the list, and then click **Add**.

Note: If the scanner does not show up in the list, then you may need to add it using the IP address. For more information, contact your system support person.

Changing port settings after installing a new network Internal Solutions Port

When a new Lexmark Internal Solutions Port (ISP) is installed in the printer, the printer configurations on computers that access the printer must be updated since the printer will be assigned a new IP address. All computers that access the printer must be updated with this new IP address.

Notes:

- If the printer has a static IP address, then you do not need to make any changes to the computer configurations.
- If the computers are configured to use the network name, instead of an IP address, then you do not need to make any changes to your computer configurations.
- If you are adding a wireless ISP to a printer previously configured for an Ethernet connection, then make sure the printer is disconnected from the Ethernet network when you configure the printer to operate wirelessly. If the printer is connected to the Ethernet network, then the wireless configuration completes, but the wireless ISP is inactive. To activate the wireless ISP, disconnect the printer from the Ethernet network, turn off the printer, and then turn it back on.
- Only one network connection is active at a time. To switch between Ethernet and wireless connection types, turn off the printer, connect the cable (to switch to an Ethernet connection) or disconnect the cable (to switch to a wireless connection), and then turn the printer back on.

For Windows users

- 1 Open a Web browser, and then type the printer IP address in the address field.

Notes:

- View the printer IP address on the printer control panel. The IP address appears as four sets of numbers separated by periods, such as 123.123.123.123.
- If you are using a proxy server, then temporarily disable it to load the Web page correctly.

- 2 Open the printers folder.

In Windows 8

From the Search charm, type **Run** and then navigate to:

Apps list > **Run** > type **control printers** > **OK**

In Windows 7 or earlier

a Click , or click **Start** and then click **Run**.

b In the Start Search or Run dialog, type **control printers**.

c Press **Enter**, or click **OK**.

- 3 To select the printer that has changed, do either of the following:

- Press and hold the printer, and then select **Printer properties**.
- Right-click the printer, and then select **Printer properties** (Windows 7 or later) or **Properties** (earlier versions).

Note: If there is more than one copy of the printer, then update all of them with the new IP address.

- 4 Click the **Ports** tab.

- 5 Select the port from the list, and then click **Configure Port**.

- 6 Type the new IP address in the “Printer Name or IP Address” field.
- 7 Click **OK** > **Close**.

For Macintosh users

- 1 Open a Web browser, and then type the printer IP address in the address field.

Notes:

- View the printer IP address on the printer control panel. The IP address appears as four sets of numbers separated by periods, such as 123.123.123.123.
- If you are using a proxy server, then temporarily disable it to load the Web page correctly.

- 2 Add the printer.

- For IP printing:
 - a From the Apple menu, navigate to either of the following:
 - **System Preferences > Print & Scan**
 - **System Preferences > Print & Fax**
 - b Click +.
 - c Click the **IP** tab.
 - d Type the printer IP address in the address field, and then click **Add**.
- For AppleTalk printing:

Notes:

- Make sure AppleTalk is activated on your printer.
- This feature is supported only in Mac OS X version 10.5.

- a From the Apple menu, navigate to:
System Preferences > Print & Fax
- b Click +, and then navigate to:
AppleTalk > select the printer > Add

Setting up serial printing

Use serial printing to print when the computer is far from the printer or to print at a reduced speed.

After installing the serial or communication (COM) port, configure the printer and the computer. Make sure you have connected the serial cable to the COM port on your printer.

- 1 Set the parameters in the printer.
 - a From the printer control panel, navigate to the menu for the port settings.
 - b Locate the menu for the serial port settings, and then adjust the settings, if necessary.
 - c Save the modified settings, and then print a menu settings page.

2 Install the printer driver.

a Obtain a copy of the software installer package.

- From the *Software and Documentation* CD that came with your printer
- From our Web site:

Go to <http://support.lexmark.com>, and then navigate to:

SUPPORT & DOWNLOAD > select your printer > select your operating system

b Double-click the software installer package.

Wait for the installation dialog to appear.


If you are using the *Software and Documentation* CD and the installation dialog does not appear, then do the following:

In Windows 8

From the Search charm type **run**, and then navigate to:

Apps list > **Run** > type **D:\setup.exe** > **OK**

In Windows 7 or earlier

- 1 Click  or click **Start**, and then click **Run**.
- 2 In the Start Search or Run dialog, type **D:\setup.exe**.
- 3 Press **Enter** or click **OK**.

Note: D is the letter of your CD or DVD drive.

c Click **Install**.

d Follow the instructions on the computer screen.

e Select **Advanced**, and then click **Continue**.

f From the Configure Printer Connection dialog, select a port.

g If the port is not in the list, then click **Refresh**, or navigate to:

Add port > select a port type > enter the necessary information > **OK**

h Click **Continue** > **Finish**.

3 Set the COM port parameters.

After installing the printer driver, set the serial parameters in the COM port assigned to the printer driver.

Note: Make sure the serial parameters in the COM port match the serial parameters you set in the printer.


a Open Device Manager.

In Windows 8

From the Search charm, type **run** and then navigate to:

Apps list > **Run** > type **devmgmt.msc** > **OK**

In Windows 7 or earlier

- 1 Click  or click **Start**, and then click **Run**.
- 2 In the Start Search or Run dialog, type **devmgmt.msc**.
- 3 Press **Enter** or click **OK**.








b Double-click **Ports (COM & LPT)** to expand the list of available ports.

- c** Do either of the following:
 - Press and hold the COM port where you attached the serial cable to your computer (example: COM1).
 - Right-click the COM port where you attached the serial cable to your computer (example: COM1).
- d** From the menu that appears, select **Properties**.
- e** On the Port Settings tab, set the serial parameters to the same serial parameters set in the printer. Check the serial heading of the menu settings page for the printer settings.
- f** Click **OK**, and then close all the dialogs.
- g** Print a test page to verify printer installation.

Loading paper and specialty media

This section explains how to load the standard and optional 500- and 2,000-sheet trays and the multipurpose feeder. It also includes information about paper orientation, setting the Paper Size and Paper Type, and linking and unlinking trays.

Setting the paper size and type




- 1 Make sure that the printer is on and **Ready** appears.
- 2 From the printer control panel, press .
- 3 Press the up or down arrow button until **✓Paper Menu** appears, and then press .
- 4 Press the up or down arrow button until **✓Paper Size/Type** appears, and then press .
- 5 Press the up or down arrow button until the correct tray appears, and then press .
- 6 Press the up or down arrow button until **✓** appears next to the correct size, and then press .
- 7 Press the up or down arrow button until **✓** appears next to the correct paper type, and then press . **Submitting Selection** appears. The printer returns to the **Paper Size/Type** menu.
- 8 Press  three times to return to the **Ready** state.



Setting the printer to detect the paper size loaded in a tray

Size sensing disables or enables auto-size sensing on trays. Size sensing also lets the printer detect the difference between similar paper sizes that it otherwise cannot.

The printer trays *cannot* distinguish the paper size when both A5 and Statement sizes or B5 and Executive sizes are loaded in the printer trays. From the Size Sensing menu, specify which size you want the printer to detect.

Note: The multipurpose feeder does not use auto-size sensing and can support both A5- and Statement-size or B5- and Executive-size print jobs. The Size Sensing setting does not affect the multipurpose feeder settings.

- 1 Turn the printer off.
- 2 Press and hold  and the right arrow button while turning the printer on.
- 3 Release the buttons when the screen with the clock animation appears.
The printer performs a power-on sequence, and then **Config Menu** appears.
- 4 Press the up or down arrow button until **✓Size Sensing** appears, and then press .
A screen listing the Size Sensing settings appears.
- 5 Press  to select the desired Tray Sensing setting.
Submitting Selection appears, followed by the **Size Sensing** menu.

- 6 Press  once, and then press the left or right arrow button until **✓Exit Config Menu** appears.
- 7 Press .
The printer performs its power-on sequence, and then **Ready** appears.






Configuring Universal paper settings

The Universal Paper Size is a user-defined setting that lets you print on paper sizes that are not preset in the printer menus. Set the Paper Size for the specified tray to Universal when the size you want is not available from the Paper Size menu. Then, specify all of the following Universal size settings for your paper:

- Units of measure (millimeters or inches)
- Portrait Width
- Portrait Height
- Feed Direction



Note: The smallest supported Universal size is 98.4 x 89 mm (3.9 x 3.5 in.); the largest is 297 x 431.8 mm (11.7 x 17 in.).



Specify a unit of measurement

- 1 Make sure the printer is on and **Ready** appears.
- 2 From the printer control panel, press .
- 3 Press the up or down arrow button until **✓Paper Menu** appears, and then press .
- 4 Press the up or down arrow button until **✓Universal Setup** appears, and then press .
- 5 Press the up or down arrow button until **✓Units of Measure** appears, and then press .
- 6 Press the up or down arrow button until **✓** appears next to the correct unit of measure, and then press .
Submitting Selection appears, followed by the **Universal Setup** menu.

Specify the paper height and width

Defining a specific height and width measurement for the Universal paper size (in the portrait orientation) allows the printer to support the size, including support for standard features such as duplex printing and printing multiple pages on one sheet.

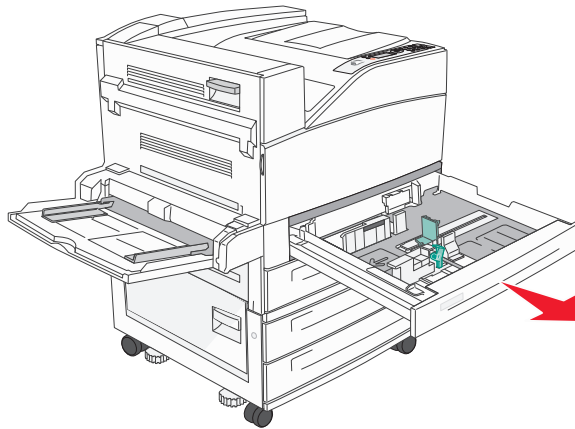
- 1 From the Universal Setup menu, press the up or down arrow button until **✓Portrait Width** appears, and then press .
- 2 Press the up or down arrow button to change the paper width setting, and then press .
Submitting Selection appears, followed by the **Universal Setup** menu.

- 3 Press the up or down arrow button until **Portrait Height** appears, and then press .
- 4 Press the up or down arrow button to change the paper height setting, and then press .
Submitting Selection appears, followed by the **Universal Setup** menu.

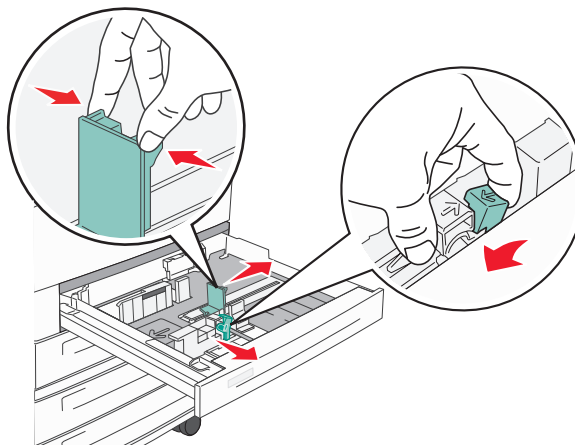
Loading the standard or optional 500-sheet trays

The printer has two standard 500-sheet trays (Tray 1 and Tray 2), and it may have one or more optional 500-sheet trays. All 500-sheet trays support the same paper sizes and types. Paper may be loaded in the trays in either the long-edge or short-edge orientation.

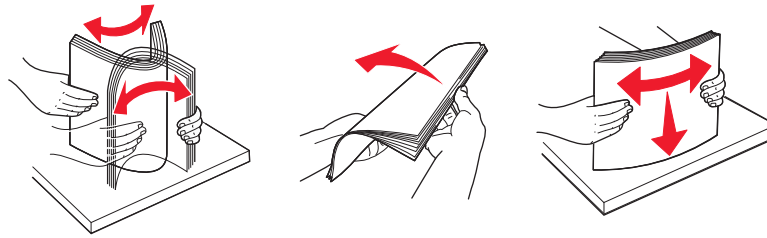
- 1 Pull the tray completely out.



- 2 Squeeze and slide the width and length guides to the correct positions for the paper size being loaded.



- 3** Flex the sheets back and forth to loosen them, and then fan them. Do not fold or crease the paper. Straighten the edges on a level surface.

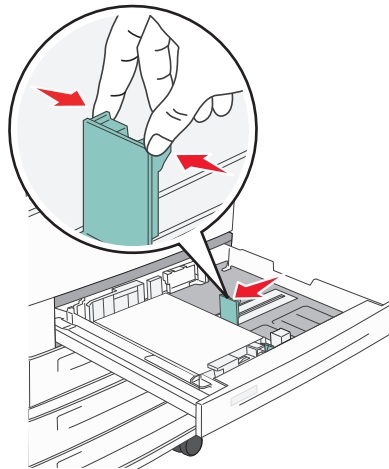


- 4** Load the paper stack with the recommended print side faceup. Load the paper in either the long-edge or short-edge orientation as shown.

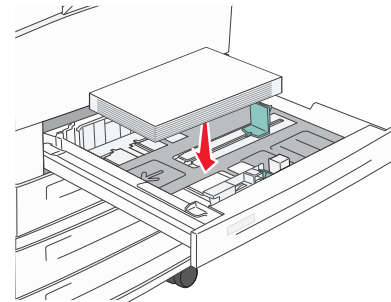
Notes:

- Load sizes larger than A4 in the short-edge orientation.
- Make sure the paper is below the max fill line located on the edge of the paper tray. Overloading the tray can cause paper jams and possible printer damage.

Long-edge orientation

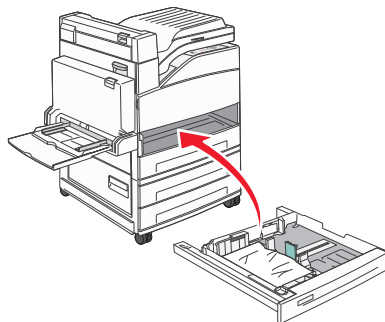


Short-edge orientation



- 5** Make sure the paper guides are secure against the edges of the paper.

- 6** Insert the tray.








- 7** If the paper type you loaded differs from the type that was previously loaded in the tray, then change the Paper Type setting for the tray.

Loading A5 or Statement paper sizes

The printer trays *cannot* distinguish between A5- (148 x 210 mm) and Statement-size (139.7 x 215.9 mm) paper when both sizes are loaded in the printer trays. From the Size Sensing menu, specify which size you want the printer to detect. Load *either* A5- or Statement-size paper in the paper trays, but not both.



Note: The multipurpose feeder does not use auto-size sensing and can support both A5- and Statement-size print jobs. The Size Sensing setting does not affect the multipurpose feeder settings.




- 1 Load either A5- or Statement-size paper in a paper tray.
- 2 Turn the printer off.
- 3 Press and hold  and the right arrow button while turning the printer on.
- 4 Release the buttons when the screen with the clock animation appears.
The printer performs a power-on sequence, and then **Config Menu** appears.
- 5 Press the up or down arrow button until **√Size Sensing** appears, and then press .
A screen listing the Size Sensing settings appears.
- 6 Press the up or down arrow button until **√Sense Statement or Sense A5** appears, and then press  to select the paper size.
Submitting Selection appears, followed by the **Size Sensing** menu.
- 7 Press  once, and then press the up or down arrow button until **√Exit Config Menu** appears.
- 8 Press .
The printer performs its power-on sequence, and then **Ready** appears.

Loading B5 or Executive paper sizes

The printer trays *cannot* distinguish between B5- and Executive-size paper when both sizes are loaded in the trays. From the Size Sensing menu, specify which size you want the printer to detect. Load *either* B5- or Executive-size paper in the paper trays, but not both.

Note: The multipurpose feeder does not use auto-size sensing and can support both B5- and Executive-size print jobs. The Size Sensing setting does not affect the multipurpose feeder settings.

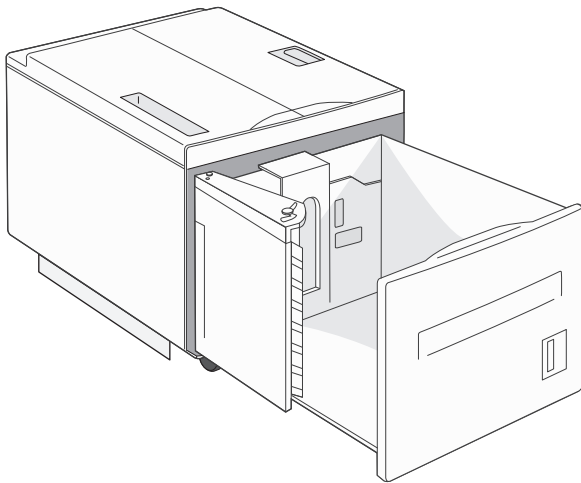
- 1 Load either B5- or Executive-size paper in a paper tray.
- 2 Turn the printer off.
- 3 Press and hold  and the right arrow button while turning the printer on.
- 4 Release the buttons when the screen with the clock animation appears.
The printer performs a power-on sequence, and then **Config Menu** appears.
- 5 Press the up or down arrow button until **√Size Sensing** appears, and then press .
A screen listing the Size Sensing settings appears.

- 6 Press the up or down arrow button until **√Sense Executive or Sense B5** appears, and then press  to select the paper size.
Submitting Selection appears, followed by the **Size Sensing** menu.
 - 7 Press  once, and then press the up or down arrow button until **√Exit Config Menu** appears
 - 8 Press .
- The printer performs its power-on sequence, and then **Ready** appears.

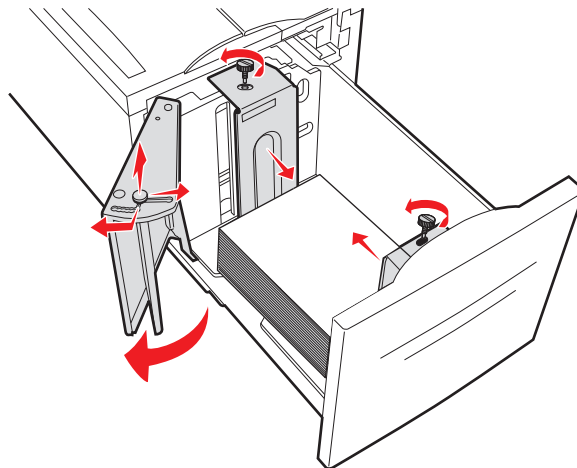
Loading the 2000-sheet high capacity feeder

The high capacity feeder can hold 2,000 sheets of letter, A4, Executive, and JIS B5 paper (80 g/m² or 20 lb).

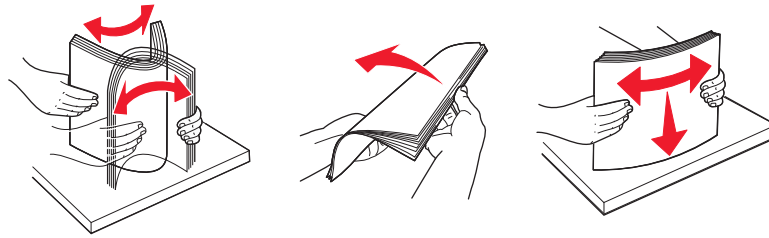
- 1 Pull the tray out.



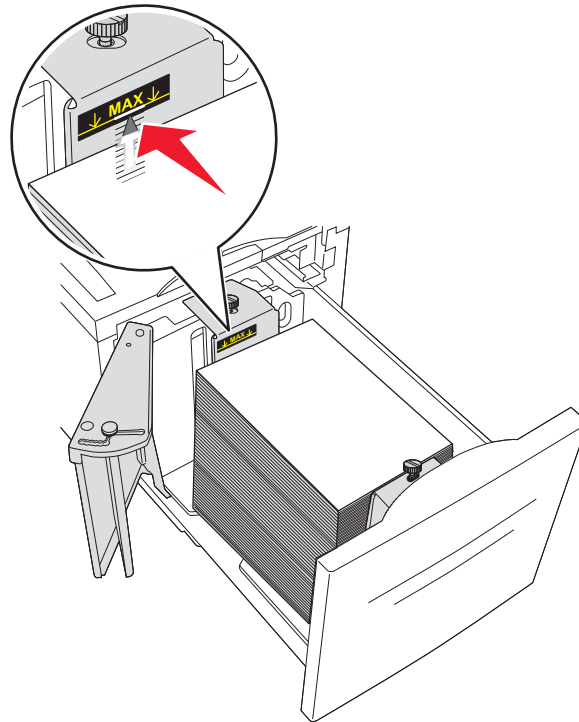
- 2 If you are loading paper with a different width or length, then adjust the width and length guides.



- 3** Flex the sheets back and forth to loosen them, and then fan them. Do not fold or crease the paper. Straighten the edges on a level surface.



- 4** Load paper in the tray with the print side down.



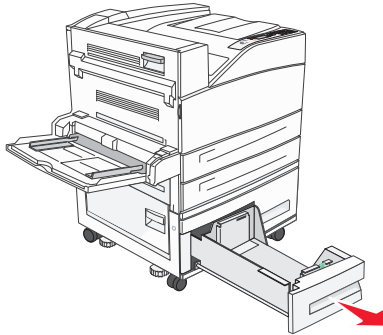
- Place pre-punched paper with the holes toward the left side of the tray.
- When loading letterhead, place the header toward the front of the tray.

- 5** Insert the tray.

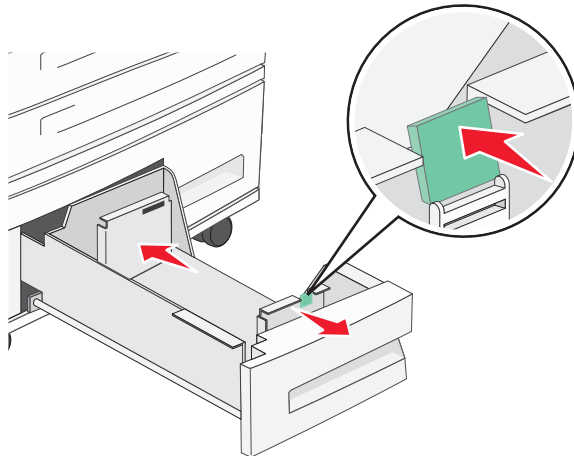
Loading the 2,000-sheet dual input trays

The 2,000-sheet dual input drawer includes two trays: an 850-sheet tray and a 1,150-sheet tray. Although the trays are different in appearance, they require the same process for loading paper.

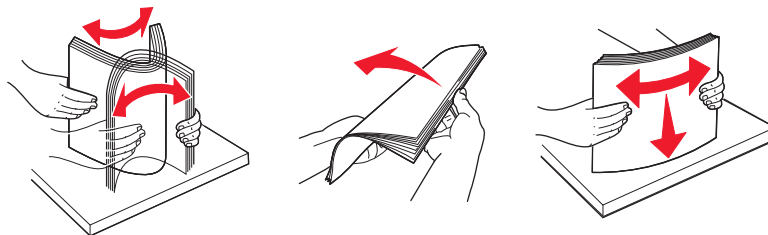
- 1 Pull the tray out.



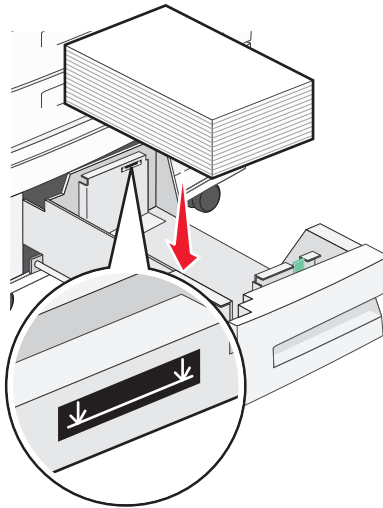
- 2 Squeeze the length guide tab inward as shown, and slide the guide to the correct position for the paper size being loaded.



- 3 Flex the sheets back and forth to loosen them, and then fan them. Do not fold or crease the paper. Straighten the edges on a level surface.



- 4 Load paper in the tray with the print side up.



Note: Make sure the paper is below the maximum fill line on the rear guide. Overloading may cause jams.

- 5 Insert the tray.

Loading the multipurpose feeder

The multipurpose feeder can hold several sizes and types of print media, such as transparencies, labels, card stock, and envelopes. It can be used for single-page or manual printing or as an additional tray.

The multipurpose feeder can hold approximately:

- 100 sheets of 75 g/m² (20 lb) paper
- 10 envelopes
- 75 transparencies

The multipurpose feeder accepts paper or specialty media within the following dimensions:

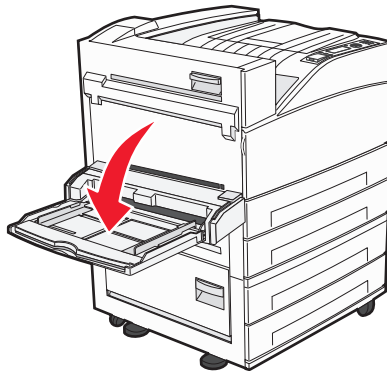
- Width—89 mm (3.5 in.) to 297 mm (11.7 in.)
- Length—98.4 mm (3.8 in.) to 431.8 mm (17 in.)

Notes:

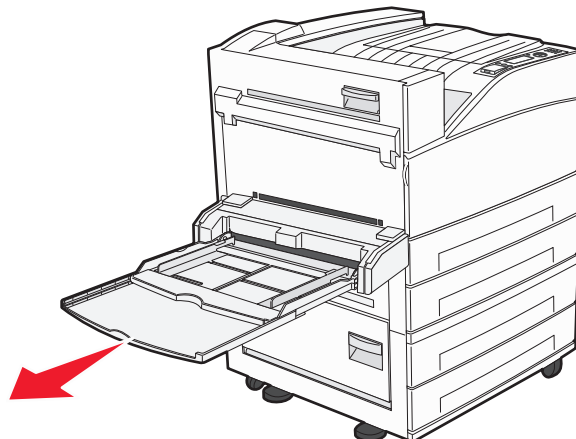
- Maximum width and length can be applied only to short-edge feeding.
- Only the multipurpose feeder guide can support the minimum size.

Note: Do not add or remove paper or specialty media when the printer is printing from the multipurpose feeder or when the printer control panel indicator light is blinking. Doing so may cause a jam.

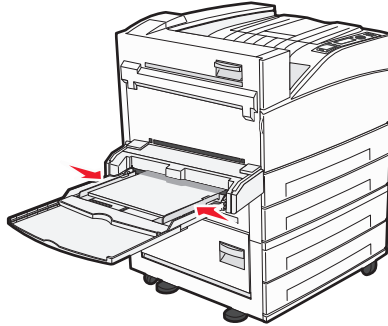
- 1 Pull down the multipurpose feeder door.



- 2 Gently pull the extension until it is fully extended.

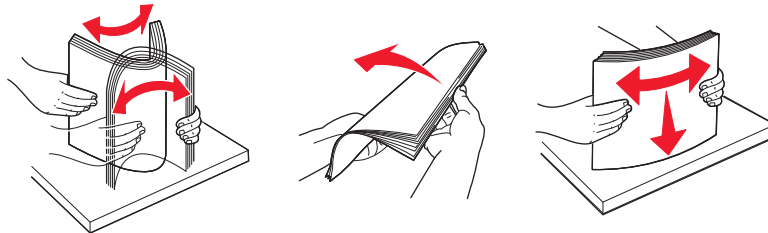


- 3 Adjust the width guides to the correct positions for the paper size being loaded.



- 4 Flex the sheets of paper or specialty media back and forth to loosen them, and then fan them. Do not fold or crease them. Straighten the edges on a level surface.

Paper

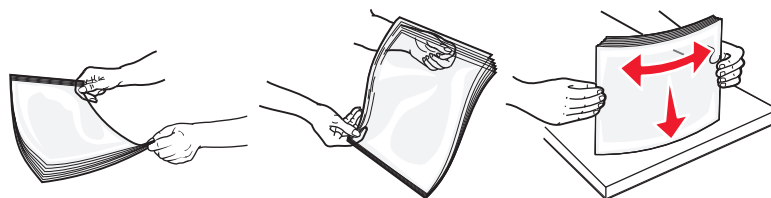


Envelopes

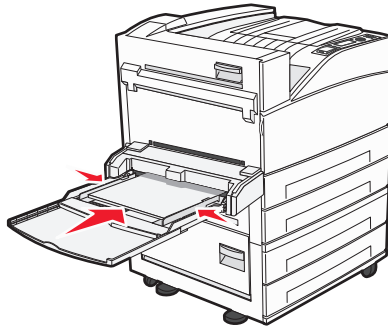


Transparencies

Note: Avoid scratching or touching the print side.



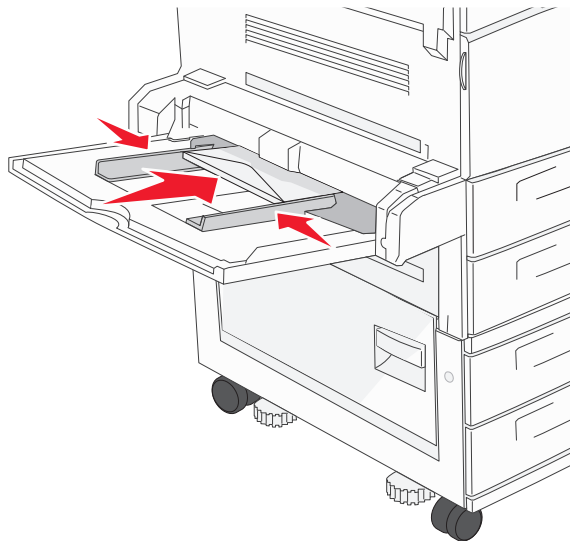
5 Load the paper or specialty media. Slide the stack gently into the multipurpose feeder until it comes to a stop.



- Load letter, A4, B5, Executive, and transparencies with the recommended print side facedown and the long edge of the paper entering the printer first.
- Load A3, A5, B4, Folio, Legal, and Statement paper with the recommended print side facedown and the short edge of the paper entering the printer first.

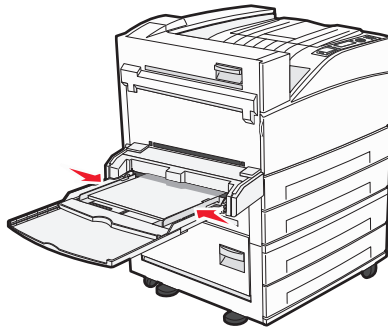
Notes:

- Do not exceed the maximum stack height by forcing paper under the stack height limiter.
- Load only one size and type of paper at a time.
- Load envelopes with the flap side up.



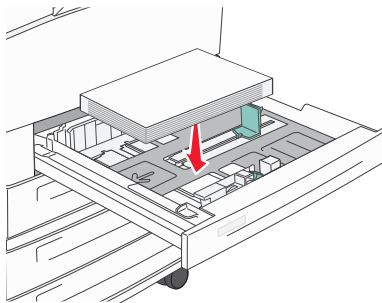
Warning—Potential Damage: Never use envelopes with stamps, clasps, snaps, windows, coated linings, or self-stick adhesives. These envelopes may severely damage the printer.

- Adjust the width guide to lightly touch the edge of the paper stack. Make sure the paper fits loosely in the multipurpose feeder, lies flat, and is not bent or wrinkled.





- From the printer control panel, set the Paper Size and Paper Type for the multipurpose feeder (MP Feeder Size and MP Feeder Type) based on the paper you loaded.

Loading letter- or A4-size paper in the short-edge orientation



By default, the printer is set to recognize letter- or A4-size paper loaded in the long-edge orientation. If you want to load letter- or A4-size paper in the short-edge orientation, make sure you enable "Short Edge printing".

- Make sure the printer is off.
- Press and hold  and the right arrow button while turning the printer on.
- Release the buttons when the screen with the clock animation appears.
The printer performs a power-on sequence, and then the Configuration menu appears.
- Press the up or down arrow button until **Short Edge printing** appears, and then press .
- Press the up or down arrow button to select **Enable** or **Disable**, and then press **Submit**.
Submitting Change appears.
- Press the up or down arrow button until **Exit Config Menu** appears, and then press **Submit**.
Resetting the Printer appears.

Linking and unlinking trays

Linking trays

Tray linking is useful for large print jobs or multiple copies. When one linked tray is empty, paper feeds from the next linked tray. When the Paper Size and Paper Type settings are the same for any trays, the trays are automatically linked.

The printer automatically senses the Paper Size setting according to the position of the paper guides in each tray except the multipurpose feeder. The printer can sense A4, A5, JIS B5, Letter, Legal, Executive, and Universal paper sizes. The multipurpose feeder and trays using other paper sizes can be linked manually using the Paper Size menu available from the Paper Size/Type menu.

Note: To link the multipurpose feeder, Configure MP must be set to Cassette in the Paper menu in order for MP Feeder Size to appear as a menu item.

The Paper Type setting must be set for all trays from the Paper Type menu available from the Paper Size/Type menu.

Unlinking trays

Unlinked trays have settings that are *not* the same as the settings of any other tray.

To unlink a tray, change the following tray settings so that they do not match the settings of any other tray:

- Paper Type (for example: Plain Paper, Letterhead, Custom Type <x>)
Paper Type names describe the paper characteristics. If the name that best describes your paper is used by linked trays, assign a different Paper Type name to the tray, such as Custom Type <x>, or define your own custom name.
- Paper Size (for example: letter, A4, statement)
Load a different paper size to change the Paper Size setting for a tray automatically. Paper Size settings for the multipurpose feeder are not automatic; they must be set manually from the Paper Size menu.





Warning—Potential Damage: Do not assign a Paper Type name that does not accurately describe the type of paper loaded in the tray. The temperature of the fuser varies according to the specified Paper Type. Paper may not be properly processed if an inaccurate Paper Type is selected.



Linking exit bins

The standard exit bin holds up to 500 sheets of 64–216 g/m² (17–58 lb) paper, depending on the printer model. If you need additional output capacity, you can purchase other optional exit bins.

Note: Not all exit bins support every paper size and type.











Linking exit bins lets you create a single output source so the printer can automatically switch output to the next available exit bin.

- 1 Make sure the printer is on and **Ready** appears.
- 2 From the printer control panel, press .
- 3 Press the up or down arrow button until **✓Paper Menu** appears, and then press .
- 4 Press the up or down arrow button until **✓Bin Setup** appears, and then press .
- 5 Press the up or down arrow button until the correct tray appears, and then press .

- 6 Press the up or down arrow button until **√Configure Bins** appears, and then press .
- 7 Press the up or down arrow button until **√Link** appears, and then press .

Assigning a Custom Type <x> name

Assign a Custom Type <x> name to a tray to link or unlink it. Associate the same Custom Type <x> name to each tray that you want to link. Only trays with the same custom names assigned will link.

- 1 Make sure the printer is on and **Ready** appears.
- 2 From the printer control panel, press .
- 3 Press .
The Paper Menu appears.
- 4 Press .
The Paper Size/Type menu appears.
- 5 Press the down arrow button once.
 appears next to the name of the tray.
- 6 Press .
The Paper Size menu appears.
- 7 Press  again.
The Paper Type menu appears.
- 8 Press the left or right arrow button until **√Custom Type <x>** or another custom name appears, and then press .
Submitting selection appears, followed by **Paper Menu**.
- 9 Verify that the correct Paper Type is associated with the custom name.
Note: Plain Paper is the factory default Paper Type associated with all Custom Type <x> names and user-defined custom names.
 - a From the Paper menu, press the up or down arrow button until **√Custom Types** appears, and then press .
 - b Press the up or down arrow button until **√** appears next to the custom paper type name, and then press .
 - c Press the up or down arrow button until **√** appears next to the Paper Type setting you want, and then press .
Submitting selection appears.

Changing a Custom Type <x> name

You can use the Embedded Web Server or MarkVision™ to define a name other than Custom Type <x> for each of the custom paper types that are loaded. When a Custom Type <x> name is changed, the menus display the new name instead of Custom Type <x>.

To change a Custom Type <x> name from the Embedded Web Server:

- 1 Type the printer IP address into the address field of your Web browser.

Note: If you do not know the IP address of the printer, then print a network setup page and locate the IP address in the TCP/IP section.

- 2 Click **Settings**.

- 3 Under Default Settings, click **Paper Menu**.

- 4 Click **Custom Names**.

- 5 Type a name for the paper type in a Custom Name <x> box.

Note: This custom name will replace a custom type <x> name under the Custom Types and Paper Size/Type menus.

- 6 Click **Submit**.

- 7 Click **Custom Types**.

Custom Types appears, followed by your custom name.

- 8 Select a Paper Type setting from the list next to your custom name.

- 9 Click **Submit**.

Paper and specialty media guidelines

Paper guidelines

Paper characteristics

The following paper characteristics affect print quality and reliability. Consider these characteristics when evaluating new paper stock.

Weight

The printer can automatically feed paper weights from 60–128 g/m² (16–34 lb bond) grain long. Paper lighter than 60 g/m² (16 lb) might not be stiff enough to feed properly, causing jams. For best performance, use 75 g/m² (20 lb bond) grain long paper. For paper smaller than 182 x 257 mm (7.2 x 10.1 inches), we recommend 90 g/m² (24 lb) or heavier paper.

Curl

Curl is the tendency for paper to curl at its edges. Excessive curl can cause paper feeding problems. Curl can occur after the paper passes through the printer, where it is exposed to high temperatures. Storing paper unwrapped in hot, humid, cold, or dry conditions, even in the trays, can contribute to paper curling prior to printing and can cause feeding problems.

Smoothness

Paper smoothness directly affects print quality. If paper is too rough, then toner cannot fuse to it properly. If paper is too smooth, then it can cause paper feeding or print quality issues. Always use paper between 100 and 300 Sheffield points; smoothness between 150 and 250 Sheffield points produces the best print quality.

Moisture content

The amount of moisture in paper affects both print quality and the ability of the printer to feed the paper correctly. Leave paper in its original wrapper until it is time to use it. This limits the exposure of paper to moisture changes that can degrade its performance.

Condition paper before printing by storing it in its original wrapper in the same environment as the printer for 24 to 48 hours before printing. Extend the time several days if the storage or transportation environment is very different from the printer environment. Thick paper may also require a longer conditioning period.

Grain direction

Grain refers to the alignment of the paper fibers in a sheet of paper. Grain is either *grain long*, running the length of the paper, or *grain short*, running the width of the paper.

For 60–128 g/m² (16–34 lb bond) paper, grain long paper is recommended. For heavier paper, grain short is recommended.

Fiber content

Most high-quality xerographic paper is made from 100% chemically treated pulped wood. This content provides the paper with a high degree of stability resulting in fewer paper feeding problems and better print quality. Paper containing fibers such as cotton can negatively affect paper handling.

Unacceptable paper

The following paper types are not recommended for use with the printer:

- Chemically treated papers used to make copies without carbon paper, also known as carbonless papers, carbonless copy paper (CCP), or no carbon required (NCR) paper
- Preprinted papers with chemicals that may contaminate the printer
- Preprinted papers that can be affected by the temperature in the printer fuser
- Preprinted papers that require a registration (the precise print location on the page) greater than ± 2.3 mm (± 0.9 in.), such as optical character recognition (OCR) forms

In some cases, registration can be adjusted with a software application to successfully print on these forms.

- Coated papers (erasable bond), synthetic papers, thermal papers
- Rough-edged, rough or heavily textured surface papers, or curled papers
- Recycled papers that fail EN12281:2002 (European)
- Paper weighing less than 60 g/m² (16 lb)
- Multiple-part forms or documents

Selecting paper

Using appropriate paper prevents jams and helps ensure trouble-free printing.

To help avoid jams and poor print quality:

- *Always* use new, undamaged paper.
- Before loading paper, know the recommended print side of the paper. This information is usually indicated on the paper package.
- *Do not* use paper that has been cut or trimmed by hand.
- *Do not* mix paper sizes, types, or weights in the same source; mixing results in jams.
- *Do not* use coated papers unless they are specifically designed for electrophotographic printing.

Selecting preprinted forms and letterhead

Use these guidelines when selecting preprinted forms and letterhead:

- Use grain long for 64–216 g/m² (17–58 lb) paper.
- Use only forms and letterhead printed using an offset lithographic or engraved printing process.
- Avoid papers with rough or heavily textured surfaces.

Use papers printed with heat-resistant inks designed for use in xerographic copiers. The ink must be able to withstand temperatures up to 230°C (446°F) without melting or releasing hazardous emissions. Use inks that are not affected by the resin in toner. Inks that are oxidation-set or oil-based generally meet these requirements; latex inks might not. When in doubt, contact the paper supplier.

Storing paper

Use these paper storage guidelines to help avoid jams and uneven print quality:

- For best results, store paper where the temperature is 21°C (70°F) and the relative humidity is 40%. Most label manufacturers recommend printing in a temperature range of 18 to 24°C (65 to 75°F) with relative humidity between 40 and 60%.
- Store paper in cartons when possible, on a pallet or shelf, rather than on the floor.
- Store individual packages on a flat surface.
- Do not store anything on top of individual paper packages.

Supported paper sizes, types, and weights

The following tables provide information on standard and optional paper sources and the types of paper they support.

Note: For an unlisted paper size, configure a Universal Paper Size.

For information on card stock and labels, see the *Card Stock & Label Guide* on the Lexmark Web site at <http://support.lexmark.com>.

Supported paper sizes

Measurements apply to simplex (one-sided) printing only. For duplex (two-sided) printing, the minimum size is 139.7 x 210 mm (5.50 x 8.27 in.).

Basic input trays

Paper size	Dimensions	Standard 500-sheet trays (Tray 1 and Tray 2)	Multipurpose feeder
A4	210 x 297 mm (8.27 x 11.7 in.)	✓	✓
A5 ¹	148 x 210 mm (5.83 x 8.27 in.)	✓	✓
A6 ²	105 x 148 mm (4.13 x 5.83 in.)	X	✓
A3	297 x 420 mm (11.7 x 16.5 in.)	✓	✓
Statement ^{1, 2}	139.7 x 215.9 mm (5.5 x 8.5 in.)	✓	✓
Oficio (México) ²	215.9 x 340.4 mm (8.5 x 13.4 in.)	✓	✓
JIS B5 ³	182 x 257 mm (7.17 x 10.1 in.)	✓	✓
JIS B4	257 x 364 mm (10.1 x 14.3 in.)	✓	✓
Letter	215.9 x 279.4 mm (8.5 x 11 in.)	✓	✓

¹ The printer trays *cannot* distinguish between A5- and statement-size paper when both sizes are loaded in the printer trays. From the Size Sensing menu, specify which size you want the printer to detect. Load *either* A5- or statement-size paper in the paper trays, but not both.

² This paper size is supported only when the source is non-size sensing or when size sensing is disabled.

³ The printer trays *cannot* distinguish between B5- and Executive-size paper when both sizes are loaded in the trays. From the Size Sensing menu, specify which size you want the printer to detect. Load *either* B5- or Executive-size paper in the paper trays, but not both.

Paper size	Dimensions	Standard 500-sheet trays (Tray 1 and Tray 2)	Multipurpose feeder
Tabloid	279.4 x 431.8 mm (11 x 17 in.)	✓	✓
Legal	215.9 x 355.6 mm (8.5 x 14 in.)	✓	✓
Executive³	184.2 x 266.7 mm (7.25 x 10.5 in.)	✓	✓
Folio	215.9 x 330.2 mm (8.5 x 13 in.)	✓	✓
Universal Note: Turn size sensing off to support universal sizes that are close to standard media sizes.	182 x 431 mm (7.1 x 16.9 in.) to 139.7 x 297 mm (5.5 x 11.7 in.)	✓	✓
	98.4 x 431.8 mm (3.8 x 17 in.) to 89 x 297 mm (3.5 x 11.7 in.) for the multipurpose feeder only.	✓	✓
	148 x 431.8 mm (5.83 x 17 in.) to 140 x 297.2 mm (5.51 x 11.7 in.) for the duplex unit only.	✓	✓
7 3/4 Envelope (Monarch)	98.4 x 190.5 mm (3.875 x 7.5 in.)	X	✓
10 Envelope	104.8 x 241.3 mm (4.12 x 9.5 in.)	X	✓
DL Envelope	110 x 220 mm (4.33 x 8.66 in.)	X	✓
C5 Envelope	162 x 229 mm (6.38 x 9.01 in.)	X	✓
Other Envelope	98.4.7 x 431.8 mm (3.8 x 17 in.) to 89 x 297 mm (3.5 x 11.7 in.)	X	✓

¹ The printer trays *cannot* distinguish between A5- and statement-size paper when both sizes are loaded in the printer trays. From the Size Sensing menu, specify which size you want the printer to detect. Load *either* A5- or statement-size paper in the paper trays, but not both.

² This paper size is supported only when the source is non-size sensing or when size sensing is disabled.

³ The printer trays *cannot* distinguish between B5- and Executive-size paper when both sizes are loaded in the trays. From the Size Sensing menu, specify which size you want the printer to detect. Load *either* B5- or Executive-size paper in the paper trays, but not both.

Optional input trays

Paper size	Dimensions	Optional 2,000-sheet dual input trays	Optional 2,000-sheet high capacity feeder	Duplex unit
A4	210 x 297 mm (8.27 x 11.7 in.)	✓	✓	✓
A5 ¹	148 x 210 mm (5.83 x 8.27 in.)	X	X	✓
A6 ²	105 x 148 mm (4.13 x 5.83 in.)	X	X	X
A3	297 x 420 mm (11.7 x 16.5 in.)	X	X	✓
Statement ^{1, 2}	139.7 x 215.9 mm (5.5 x 8.5 in.)	X	X	✓
Oficio (México) ²	215.9 x 340.4 mm (8.5 x 13.4 in.)	X	X	✓
JIS B5 ³	182 x 257 mm (7.17 x 10.1 in.)	✓	✓	✓
JIS B4	257 x 364 mm (10.1 x 14.3 in.)	X	X	✓
Letter	215.9 x 279.4 mm (8.5 x 11 in.)	✓	✓	✓
Tabloid	279.4 x 431.8 mm (11 x 17 in.)	X	X	✓
Legal	215.9 x 355.6 mm (8.5 x 14 in.)	X	X	✓
Executive ³	184.2 x 266.7 mm (7.25 x 10.5 in.)	✓	✓	✓
Folio	215.9 x 330.2 mm (8.5 x 13 in.)	X	X	✓

¹ The printer trays *cannot* distinguish between A5- and statement-size paper when both sizes are loaded in the printer trays. From the Size Sensing menu, specify which size you want the printer to detect. Load *either* A5- or statement-size paper in the paper trays, but not both.

² This paper size is supported only when the source is non-size sensing or when size sensing is disabled.

³ The printer trays *cannot* distinguish between B5- and Executive-size paper when both sizes are loaded in the trays. From the Size Sensing menu, specify which size you want the printer to detect. Load *either* B5- or Executive-size paper in the paper trays, but not both.

Paper size	Dimensions	Optional 2,000-sheet dual input trays	Optional 2,000-sheet high capacity feeder	Duplex unit
Universal Note: Turn size sensing off to support universal sizes that are close to standard media sizes.	182 x 431 mm (7.1 x 16.9 in.) to 139.7 x 297 mm (5.5 x 11.7 in.)	X	X	X
	98.4 x 431.8 mm (3.8 x 17 in.) to 89 x 297 mm (3.5 x 11.7 in.) for the multipurpose feeder only.	X	X	X
	148 x 431.8 mm (5.83 x 17 in.) to 140 x 297.2 mm (5.51 x 11.7 in.) for the duplex unit only.	X	X	✓
7 3/4 Envelope (Monarch)	98.4 x 190.5 mm (3.875 x 7.5 in.)	X	X	X
10 Envelope	104.8 x 241.3 mm (4.12 x 9.5 in.)	X	X	X
DL Envelope	110 x 220 mm (4.33 x 8.66 in.)	X	X	X
C5 Envelope	162 x 229 mm (6.38 x 9.01 in.)	X	X	X
Other Envelope	98.4.7 x 431.8 mm (3.8 x 17 in.) to 89 x 297 mm (3.5 x 11.7 in.)	X	X	X

¹ The printer trays *cannot* distinguish between A5- and statement-size paper when both sizes are loaded in the printer trays. From the Size Sensing menu, specify which size you want the printer to detect. Load *either* A5- or statement-size paper in the paper trays, but not both.

² This paper size is supported only when the source is non-size sensing or when size sensing is disabled.

³ The printer trays *cannot* distinguish between B5- and Executive-size paper when both sizes are loaded in the trays. From the Size Sensing menu, specify which size you want the printer to detect. Load *either* B5- or Executive-size paper in the paper trays, but not both.

Supported paper types and weights

The printer engine supports 38–128 g/m² (16–32 lb) paper weights.

Note: Labels, transparencies, envelopes, and card stock always print at reduced speed.

Paper type	Standard 500-sheet trays (Tray 1 and Tray 2)	Multipurpose tray	Optional 500-sheet trays	Optional 2,000-sheet dual input trays	Optional 2,000-sheet high capacity feeder	Duplex unit
Paper	✓	✓	✓	✓	✓	✓
Card stock	✓	✓	✓	✓	✓	✓
Transparencies	✓	✓	✓	✓	✓	x
Paper Labels	✓	✓	✓	✓	✓	✓
Bond	✓	✓	✓	✓	✓	✓
Letterhead	✓	✓	✓	✓	✓	✓
Envelopes	x	✓	x	x	x	x

Printing

This chapter covers printing, printer reports, and job cancelation. Selection and handling of paper and specialty media can affect how reliably documents print. For more information, see “Avoiding jams” on page 152 and “Storing paper” on page 60.

Printing a document

- 1 From the printer control panel Paper menu, set the Paper Type and Paper Size to match the loaded paper.
- 2 Send the print job:

For Windows users

- a With a document open, click **File > Print**.
- b Click **Properties, Preferences, Options, or Setup**, and then adjust the settings as needed.

Note: To print on a specific size or type of paper, adjust the paper size or type settings to match the loaded paper, or select the appropriate tray or feeder.

- c Click **OK**, and then click **Print**.

For Macintosh users

- a Customize the settings as needed in the Page Setup dialog:
 - 1 With a document open, choose **File > Page Setup**.
 - 2 Choose a paper size or create a custom size to match the loaded paper.
 - 3 Click **OK**.

- b Customize the settings as needed in the Print dialog:
 - 1 With a document open, choose **File > Print**.
If necessary, click the disclosure triangle to see more options.
 - 2 From the Print dialog and pop-up menus, adjust the settings as needed.

Note: To print on a specific paper type, adjust the paper type setting to match the loaded paper, or select the appropriate tray or feeder.

- 3 Click **Print**.

Printing on specialty media

Tips on using letterhead

Check with the manufacturer or vendor to determine whether the chosen preprinted letterhead is acceptable for laser printers.

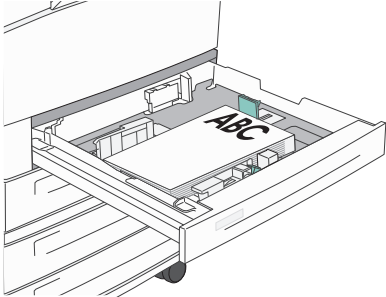
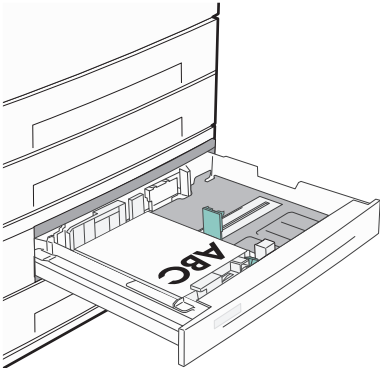
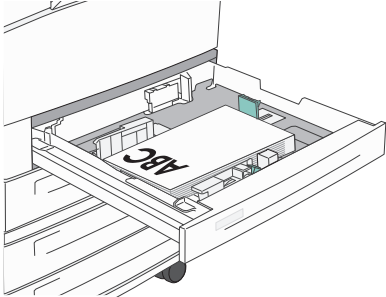
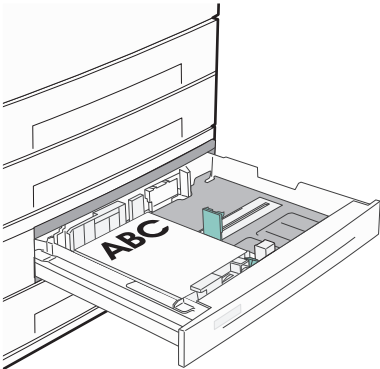
Placing paper in the trays

Page orientation is important when printing on letterhead. Use the following sections to determine which direction to load the letterhead.

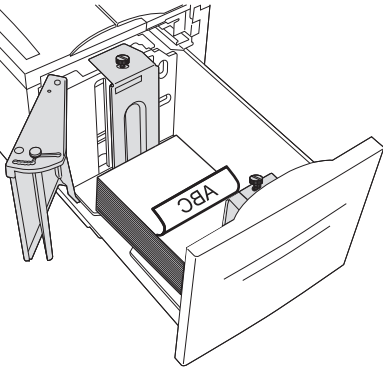
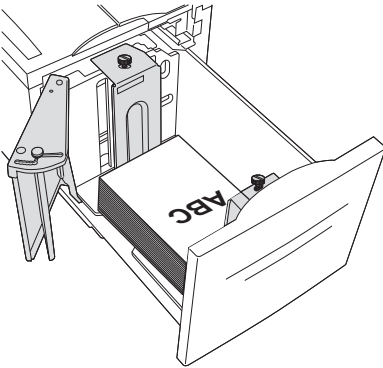
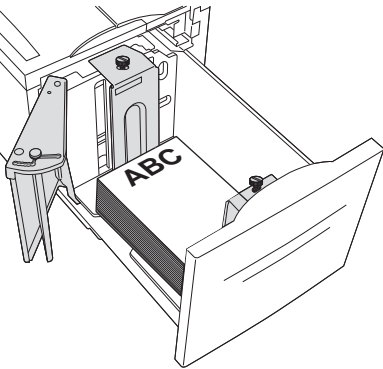
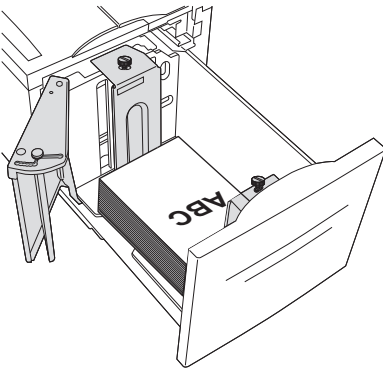
Source or process	Print side
Standard 500-sheet trays Optional 500-sheet trays Optional 2,000-sheet dual input trays	Preprinted letterhead design is placed faceup.
Optional 2,000-sheet high capacity feeder	Preprinted letterhead design is placed facedown.
Multipurpose tray (simplex printing)	Preprinted letterhead design is placed facedown.
Duplex (two-sided) printing from trays	Preprinted letterhead design is placed facedown. Sheet placement is faceup in the 2,000-sheet high capacity feeder and the multipurpose feeder.

Orienting the paper for long- or short-edge printing

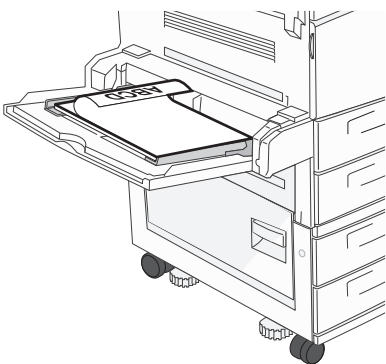
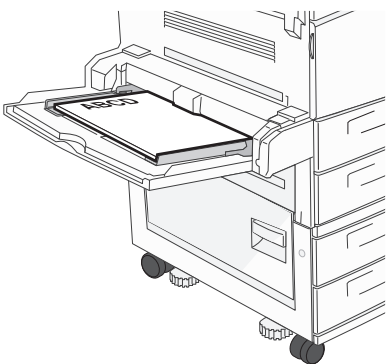
Paper trays

Short-edge orientation	Long-edge orientation
<p>With finisher</p> 	<p>With finisher</p> 
<p>Without finisher</p> 	<p>Without finisher</p> 

High capacity feeder

Short-edge orientation without finisher	Long-edge orientation with finisher
 <p data-bbox="149 705 457 735">Simplex (one-sided) printing</p>	 <p data-bbox="847 705 1156 735">Simplex (one-sided) printing</p>
 <p data-bbox="149 1136 451 1165">Duplex (two-sided) printing</p>	 <p data-bbox="847 1136 1149 1165">Duplex (two-sided) printing</p>

Multipurpose tray

Simplex (one-sided) printing	Duplex (two-sided) printing
	

Tips on using transparencies

Print samples on the transparencies being considered for use before buying large quantities.

- Feed transparencies from the standard tray or the multipurpose feeder.
- From the Paper menu, set the Paper Type to Transparency.

- Use transparencies designed specifically for laser printers. Transparencies must be able to withstand temperatures of 230°C (446°F) without melting, discoloring, offsetting, or releasing hazardous emissions.
- To prevent print quality problems, avoid getting fingerprints on the transparencies.
- Before loading transparencies, fan the stack to prevent sheets from sticking together.
- We recommend Lexmark transparencies. For ordering information, see the Lexmark Web site at www.lexmark.com.

Tips on using envelopes

Print samples on the envelopes being considered for use before buying large quantities.

- Use envelopes designed specifically for laser printers. Check with the manufacturer or vendor to ensure that the envelopes can withstand temperatures up to 220°C (446°F) without sealing, wrinkling, curling excessively, or releasing hazardous emissions.
- For best performance, use envelopes made from 90 g/m² (24 lb bond) paper or 25% cotton. All-cotton envelopes must not exceed 70 g/m² (20 lb bond) weight.
- Use only new envelopes from undamaged packages.
- To optimize performance and minimize jams, do not use envelopes that:
 - Have excessive curl or twist
 - Are stuck together or damaged in any way
 - Have windows, holes, perforations, cutouts, or embossing
 - Have metal clasps, string ties, or folding bars
 - Have an interlocking design
 - Have postage stamps attached
 - Have any exposed adhesive when the flap is in the sealed or closed position
 - Have bent corners
 - Have rough, cockle, or laid finishes
- Adjust the width guides to fit the width of the envelopes.

Note: A combination of high humidity (over 60%) and the high printing temperature may wrinkle or seal envelopes.

Tips on using labels

Note: This printer is intended for occasional paper label printing only.

For more information on label printing, characteristics, and design, see the *Card Stock & Label Guide* at <http://support.lexmark.com>.

- Do not load labels together with paper or transparencies in the same source; mixing media can cause feeding problems.
- From the Paper menu, set the Paper Type to Labels.
- Do not use labels with slick backing material.
- Use labels that can withstand temperatures of 230°C (446°F) without sealing, excessive curling, wrinkling, or releasing hazardous emissions.
- Use full label sheets. Partial sheets may cause labels to peel off during printing, resulting in a jam. Partial sheets also contaminate the printer and the cartridge with adhesive, and could void the printer and cartridge warranties.

- Do not use labels with exposed adhesive.
- Do not print within 1 mm (0.04 inches) of the edge of the label, of the perforations, or between die-cuts of the label.
- Be sure adhesive backing does not reach to the sheet edge. Zone coating of the adhesive at least 1 mm (0.04 inches) away from edges is recommended. Adhesive material contaminates the printer and could void the warranty.
- If zone coating of the adhesive is not possible, remove a 1.6 mm (0.06 inches) strip on the leading and driver edge, and then use a non-oozing adhesive.
- Portrait orientation works best, especially when printing bar codes.

Tips on using card stock

Card stock is heavy, single-ply specialty media. Many of its variable characteristics, such as moisture content, thickness, and texture, can significantly impact print quality. Print samples on the card stock being considered for use before buying large quantities.

- From the Paper menu, set the Paper Type to Card Stock.
- Select the appropriate Paper Texture setting.
- Be aware that preprinting, perforation, and creasing may significantly affect the print quality and cause jams or other paper handling problems.
- Check with the manufacturer or vendor to ensure the card stock can withstand temperatures up to 220°C (446°F) without releasing hazardous emissions.
- Do not use preprinted card stock manufactured with chemicals that may contaminate the printer. Preprinting introduces semi-liquid and volatile components into the printer.
- Use grain short card stock when possible.

Printing confidential and other held jobs

Holding jobs in the printer

When sending a job to the printer, you can specify that you want the printer to hold the job in memory until you start the job from the printer control panel. All print jobs that can be initiated by the user at the printer are called *held jobs*.

Note: Confidential, Verify, Reserve, and Repeat print jobs may be deleted if the printer requires extra memory to process additional held jobs.

Job type	Description
Confidential	When you send a Confidential print job to the printer, you must create a PIN from the computer. The PIN must be four digits using the numbers 0–9. The job is held in printer memory until you enter the PIN from the printer control panel and choose to print or delete the job.
Verify	When you send a Verify print job, the printer prints one copy and holds the remaining copies in printer memory. Verify lets you examine the first copy to see if it is satisfactory before printing the remaining copies. Once all copies are printed, the job is automatically deleted from printer memory.

Job type	Description
Reserve	When you send a Reserve print job, the printer does not print the job immediately. It stores the job in memory so you can print the job later. The job is held in memory until you delete it from the Held Jobs menu.
Repeat	When you send a Repeat print job, the printer prints all requested copies of the job <i>and</i> stores the job in memory so you can print additional copies later. You can print additional copies as long as the job remains stored in memory.






Other types of held jobs include:

- Profiles from various sources including Lexmark Document Solutions Suite (LDSS)
- Forms from a kiosk
- Bookmarks
- Jobs not printed, which are called *parked jobs*

Printing confidential and other held jobs

Note: Confidential and Verify print jobs are automatically deleted from memory after they print. Repeat and Reserve jobs continue to be held in the printer until you choose to delete them.

For Windows Users

- 1 With a document open, click **File > Print**.
- 2 Click **Properties, Preferences, Options, or Setup**.
- 3 Click **Other Options**, and then click **Print and Hold**.
- 4 Select your job type (Confidential, Repeat, Reserve, or Verify), and then assign a user name. For a confidential job, also enter a four-digit PIN.
- 5 Click **OK** or **Print**, and then go to the printer to release the job.
- 6 From the printer control panel, press the up or down arrow button until **✓Held jobs** appears, and then press .
- 7 Press the up or down arrow button until **✓** appears next to your user name, and then press .
- 8 Press the up or down arrow button until **✓** appears next to the job type or job name, and then press . If you selected a job name, proceed to step 11 on page 71.
- 9 After selecting your job type, use the keypad to enter your PIN. If you enter an invalid PIN, the Invalid PIN screen appears.
 - To re-enter the PIN, make sure **✓Try again** appears, and then press .
 - To cancel the PIN, press the up or down arrow button until **✓Cancel** appears, and then press .

- 10 Press the up or down arrow button until ✓ appears next to the job you want to print, and then press ✓.
- 11 Press the up or down arrow button until ✓ appears next to the number of copies you want to print, and then press ✓.

Note: Use the keypad to enter a number if necessary.

For Macintosh users

- 1 With a document open, choose **File > Print**.
If necessary, click the disclosure triangle to see more options.
- 2 From the print options or Copies & Pages pop-up menu, choose **Job Routing**.
- 3 Select your job type (Confidential, Repeat, Reserve, or Verify), and then assign a user name. For a confidential job, also enter a four-digit PIN.
- 4 Click **OK** or **Print**, and then go to the printer to release the job.
- 5 From the printer control panel, press the up or down arrow button until ✓ **Held jobs** appears, and then press ✓.
- 6 Press the up or down arrow button until ✓ appears next to your user name, and then press ✓.
- 7 Press the up or down arrow button until ✓ appears next to the job type or job name, and then press ✓.
If you selected a job name, proceed to step 10 on page 71.
- 8 After selecting your job type, use the keypad to enter your PIN.
If you enter an invalid PIN, the Invalid PIN screen appears.
 - To re-enter the PIN, make sure ✓ **Try again** appears, and then press ✓.
 - To cancel the PIN, press the up or down arrow button until ✓ **Cancel** appears, and then press ✓.
- 9 Press the up or down arrow button until ✓ appears next to the job you want to print, and then press ✓.
- 10 Press the up or down arrow button until ✓ appears next to the number of copies you want to print, and then press ✓.

Note: Use the keypad to enter a number if necessary.

Printing from a mobile device

For the list of supported mobile devices and to download a compatible mobile printing application, visit <http://lexmark.com/mobile>.

Note: Mobile printing applications may also be available from your mobile device manufacturer.

Printing from a flash drive

A USB port is located on the printer control panel. Insert a flash drive to print supported file types. Supported file types include: .pdf, .gif, .jpeg, .jpg, .bmp, .png, .tiff, .tif, .pcx, .xps, and .dcx.

Lexmark has tested and approved the following USB flash memory devices:

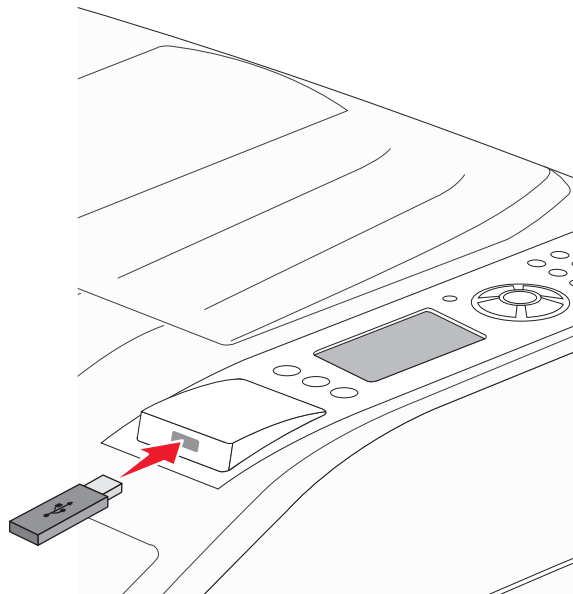
- Lexar FireFly 512 MB
- Lexar FireFly 1 GB
- SanDisk Cruizer Micro 512 MB
- SanDisk Cruizer Micro 1 GB
- Sony 512 MB
- Sony 1 GB

Notes:

- High-speed flash drives must support the full-speed USB standard. Flash drives supporting only USB low-speed capabilities are not supported.
- Flash drives must support the FAT (*File Allocation Tables*) system. Flash drives formatted with NTFS (*New Technology File System*) or any other file system are not supported.
- Before printing an encrypted .pdf file, enter the file password from the printer control panel.
- You cannot print files for which you do not have printing permissions.

1 Make sure the printer is on and **Ready** appears.

2 Insert a flash drive into the front USB port.



Notes:

- If you insert the flash drive when the printer requires attention, such as when a jam has occurred, then the printer ignores it.
- If you insert the flash drive while the printer is printing other jobs, then **Printer Busy** appears. After the other jobs are processed, you may need to view the held jobs list to print documents from the flash drive.

- 3 Press the up or down arrow button until ✓ appears next to the document you want to print, and then press ✓.

Note: Folders found on the flash drive appear as folders. File names are appended by the extension type (for example, .jpg).

- 4 Press ✓ to print one copy, or enter the number of copies using the keypad, and then press ✓ to initiate the print job.


Note: Do not remove the flash drive from the printer until the document has finished printing.

If you leave the flash drive in the printer after leaving the initial USB menu screen, you can still print .pdf files from the flash drive as held jobs.

Printing information pages

Printing a font sample list


To print samples of the fonts currently available for your printer:

- 1 Make sure the printer is on and **Ready** appears.
- 2 From the printer control panel, press .
- 3 Press the up or down arrow button until ✓ **Reports** appears, and then press ✓.
- 4 Press the up or down arrow button until ✓ **Print Fonts** appears, and then press ✓.
- 5 Press the up or down arrow button until ✓ appears next to **PCL Fonts**, **PostScript Fonts**, or **PPDS Fonts**, and then press ✓.

After the font sample list prints, **Ready** appears.

Printing a directory list




A directory list shows the resources stored in flash memory or on the hard disk.

- 1 Make sure the printer is on and **Ready** appears.
- 2 From the printer control panel, press .
- 3 Press the up or down arrow button until ✓ **Reports** appears, and then press ✓.
- 4 Press the up or down arrow button until ✓ **Print Directory** appears, and then press ✓.

After the directory list prints, the printer returns to the **Ready** state.

Printing the print quality test pages


Print the print quality test pages to isolate print quality problems.



- 1 Turn the printer off.
- 2 Hold down  and the right arrow button while turning the printer on.
- 3 Release the buttons when the clock appears, and wait for **CONFIG MENU** to appear.
- 4 Press the up or down arrow button until **√Prt Quality Pgs** appears, and then press .
The print quality test pages print.
- 5 Press the up or down arrow button until **√Exit Config Menu** appears, and then press .
Resetting the Printer appears briefly, followed by a clock, and then **Ready** appears.

Canceling a print job

Canceling a print job from the printer control panel

If the job is formatting or already printing, and **Cancel a job** appears on the first line of the display:

- 1 Press the up or down arrow button until **√Cancel** appears.
A list of jobs appears.
- 2 Press the up or down arrow button until **√** appears next to the job you want to cancel, and then press .

Note: Once a print job is sent, to easily cancel a job, press . The **Stopped** screen appears. Press the up or down arrow button until **√Cancel a job** appears, and then press .

Canceling a print job from the computer

For Windows users


- 1 Open the printers folder.

In Windows 8

From the Search charm, type **run**, and then navigate to:

Apps list > **Run** > type **control printers** > **OK**

In Windows 7 or earlier

- a Click  or click **Start**, and then click **Run**.
 - b In the Start Search or Run dialog, type **control printers**.
 - c Press **Enter**, or click **OK**.
- 2 Double-click the printer icon.

3 Select the print job you want to cancel.

4 Click **Delete**.

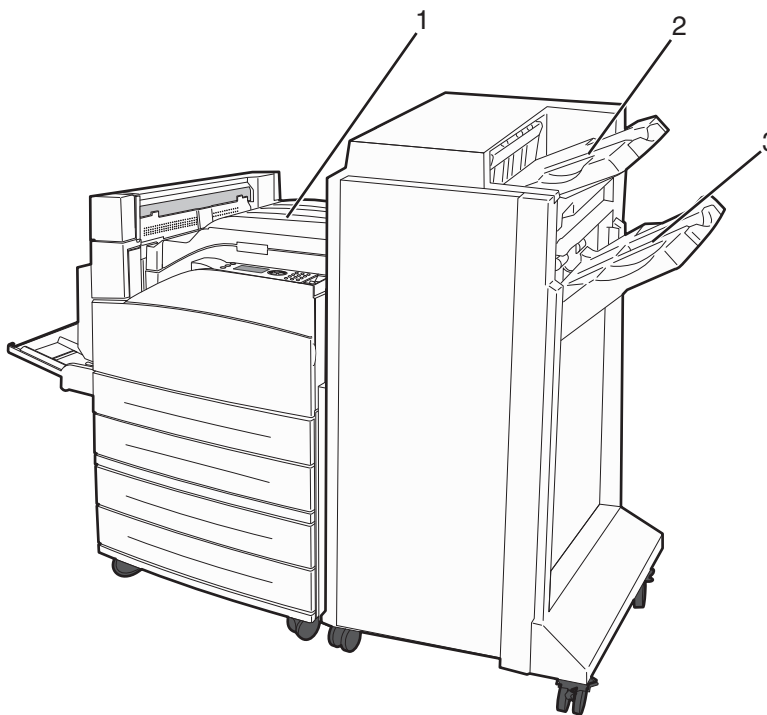
For Macintosh users

1 From the Apple menu, navigate to either of the following:

- **System Preferences > Print & Scan > select your printer > Open Print Queue**
- **System Preferences > Print & Fax > select your printer > Open Print Queue**

2 From the printer window, select the print job you want to cancel, and then delete it.

Supported finishing features



1	Standard bin
2	Finisher Bin 1
3	Finisher Bin 2

Standard bin

- The paper capacity is 300 sheets.
- Finishing options are not supported in this bin.
- Envelopes are routed here.

Finisher Bin 1

- The paper capacity is 500 sheets of A4/Letter and 300 sheets of A3/Ledger.
- Envelopes, A5, A6, and Statement are not supported in this bin.
- Finishing options are not supported in this bin.

Finisher Bin 2

The paper capacity is 3,000 sheets when the standard finisher is installed.

Finisher Bin 2 finishing features

Size	Two-hole punch*	Three- or Four-hole punch	Offset	Single staple	Dual staple
A3	✓	✓	✓	✓	✓
A4	✓	✓ Note: Supported only if feeding orientation is long edge.	✓	✓	✓ Note: Supported only if feeding orientation is long edge.
A5	X	X	X	X	X
Executive	✓	✓	✓	✓	✓
Folio	✓	X	✓	✓	✓
JIS B4	✓	✓	✓	✓	✓
JIS B5	✓	✓	✓	✓	✓
Legal	✓	X	✓	✓	✓
Letter	✓	✓ Note: Supported only if feeding orientation is long edge.	✓	✓	✓ Note: Supported only if feeding orientation is long edge.
Statement	X	X	X	X	✓
Tabloid	✓	✓	✓	✓	✓
Universal	X	X	✓	✓	✓
Envelopes (any size)	X	X	X	X	X

* For the Universal paper size, the finishing edge must be at least 9 in. (229 mm) for a 3-hole punch and 10 in. (254 mm) for a 4-hole punch.

Punch—Two-, three-, or four-hole punch settings

Single staple—One staple

Dual staple—Two staples

Size	Two-hole punch*	Three- or Four-hole punch	Offset	Single staple	Dual staple
Oficio	✓	x	✓	✓	✓

* For the Universal paper size, the finishing edge must be at least 9 in. (229 mm) for a 3-hole punch and 10 in. (254 mm) for a 4-hole punch.

Punch—Two-, three-, or four-hole punch settings

Single staple—One staple

Dual staple—Two staples

Adjusting toner darkness

- 1 Type the printer IP address into the address field of your Web browser.

Note: If you do not know the IP address of the printer, then print a network setup page and locate the IP address in the TCP/IP section.

- 2 Click **Settings**.
- 3 Click **Print Settings**.
- 4 Click **Quality Menu**.
- 5 Adjust the toner darkness setting.
- 6 Click **Submit**.

Understanding printer menus

Menus list

Paper Menu

Default Source
 Paper Size/Type
 Configure MP
 Substitute Size
 Paper Texture
 Paper Loading
 Custom Types
 Universal Setup
 Bin Setup

Reports

Menu Settings Page
 Device Statistics
 Network Setup Page¹
 Profiles List
 NetWare Setup Page
 Print Fonts
 Print Directory²
 Asset Report
 Print Demo

Network/Ports

Active NIC
 Standard Network³
 Standard USB
 Parallel <x>
 SMTP Setup

Security

Miscellaneous Security Settings
 Confidential Print
 Disk Wiping⁴
 Security Audit Log
 Set Date/Time

Settings

General Settings
 Setup Menu
 Finishing Menu
 Quality Menu
 Utilities Menu
 XPS Menu
 PDF Menu
 PostScript Menu
 PCL Emul Menu
 HTML Menu
 Image Menu
 Flash Drive Menu

Help

Print All
 Print Quality
 Printing Guide
 Media Guide
 Print Defects
 Menu Map
 Information Guide
 Connection Guide
 Moving Guide
 Supplies Guide

¹ Depending on the printer setup, this menu item appears as Network Setup Page or Network <x> Setup Page.

² Only appears when there is an installed flash or disk device.

³ Depending on the printer setup, this menu item appears as Standard Network or Network <x>.

⁴ Only appears if a formatted or non-defective disk is installed.

Paper menu

Default Source menu

Menu item	Description
Default Source Tray <x> MP Feeder Manual Paper Manual Env	Sets a default paper source for all print jobs Notes: <ul style="list-style-type: none"> • Tray 1 (standard tray) is the factory default setting. • Only an installed paper source will appear as a menu setting. • A paper source selected by a print job will override the Default Source setting for the duration of the print job. • If the same size and type of paper are in two trays and the Paper Size and Paper Type settings match, then the trays are automatically linked. When one tray is empty, the job prints using the linked tray. • From the Paper menu, Configure MP must be set to Cassette in order for MP Feeder to appear as a menu setting.

Paper Size/Type menu

Menu item	Description
Tray <x> Size A4 A5 JIS B5 Letter Legal Executive Oficio Folio Statement Universal A3 Tabloid JIS B4	Specifies the paper size loaded in each tray Notes: <ul style="list-style-type: none"> • A4 is the international factory default setting. Letter is the US factory default setting. • For trays with automatic size sensing, only the size detected by the hardware appears. • Executive, Oficio, and Statement appear as options only if Tray Size Sensing is turned off. • Use this menu item to configure automatic tray linking. If the same size and type of paper are in two trays and the Paper Size and Paper Type settings match, then the trays are automatically linked. When one tray is empty, the job prints using the linked tray. • Automatic size sensing is not supported for Oficio, Folio, or Statement paper sizes. • The 2000-sheet tray supports A4, Letter, and Legal paper sizes.
Note: Only installed trays, drawers, and feeders are listed in this menu.	

Menu item	Description
<p>Tray <x> Type</p> <ul style="list-style-type: none"> Plain Paper Card Stock Transparency Recycled Labels Bond Letterhead Preprinted Colored Paper Light Paper Heavy Paper Rough/Cotton Paper Custom Type <x> 	<p>Specifies the type of paper loaded in each tray</p> <p>Notes:</p> <ul style="list-style-type: none"> • Plain Paper is the factory default setting for Tray 1. Custom Type <x> is the factory default setting for all other trays. • If available, a user-defined name appears instead of Custom Type <x>. • Use this menu item to configure automatic tray linking. If the same size and type of paper are in two trays and the Paper Size and Paper Type settings match, then the trays are automatically linked. When one tray is empty, the job prints using the linked tray.
<p>MP Feeder Size</p> <ul style="list-style-type: none"> A4 A3 Tabloid JIS B4 A5 A6 JIS B5 Letter Legal Executive Oficio Folio Statement Universal 7 3/4 Envelope 10 Envelope DL Envelope Other Envelope 	<p>Specifies the paper size loaded in the multipurpose feeder</p> <p>Notes:</p> <ul style="list-style-type: none"> • From the Paper menu, Configure MP must be set to Cassette in order for MP Feeder Size to appear as a menu item. • A4 is the international factory default setting. Letter is the US factory default setting. • The multipurpose feeder does not automatically sense paper size. The paper size value must be set. • JIS B5 is supported only if feeding orientation is long edge.
<p>Note: Only installed trays, drawers, and feeders are listed in this menu.</p>	

Menu item	Description
<p>MP Feeder Type</p> <ul style="list-style-type: none"> Plain Paper Card Stock Transparency Recycled Labels Bond Envelope Rough Envelope Letterhead Preprinted Colored Paper Light Paper Heavy Paper Rough/Cotton Paper Custom Type <x> 	<p>Specifies the type of paper loaded in the multipurpose feeder</p> <p>Notes:</p> <ul style="list-style-type: none"> • From the Paper menu, Configure MP must be set to Cassette in order for MP Feeder Type to appear as a menu item. • Plain Paper is the factory default setting.
<p>Manual Paper Size</p> <ul style="list-style-type: none"> A4 A3 Tabloid JIS B4 A5 A6 JIS B5 Letter Legal Executive Oficio Folio Statement Universal 	<p>Specifies the size of the paper being manually loaded</p> <p>Note: A4 is the international factory default setting. Letter is the US factory default setting.</p>
<p>Note: Only installed trays, drawers, and feeders are listed in this menu.</p>	

Menu item	Description
Manual Paper Type Plain Paper Card Stock Transparency Recycled Labels Bond Letterhead Preprinted Colored Paper Light Paper Heavy Paper Rough/Cotton Paper Custom Type <x>	Specifies the type of paper being manually loaded Note: Plain Paper is the factory default setting.
Manual Envelope Size 7 3/4 Envelope 10 Envelope DL Envelope Other Envelope	Specifies the size of the envelope being manually loaded Note: DL Envelope is the international factory default setting. 10 Envelope is the US factory default setting.
Manual Envelope Type Envelope Rough Envelope Custom Type <x>	Specifies the type of envelope being manually loaded Note: Envelope is the factory default setting.
Note: Only installed trays, drawers, and feeders are listed in this menu.	

Configure MP menu

Menu item	Description
Configure MP Cassette Manual First	Determines when the printer selects paper from the multipurpose feeder Notes: <ul style="list-style-type: none"> • Cassette is the factory default setting. • The Cassette setting configures the multipurpose feeder as an automatic paper source. • When Manual is selected, the multipurpose feeder can be used only for manual feed print jobs. • If paper is loaded in the multipurpose feeder and First is selected, then paper always feeds from the multipurpose feeder first.

Substitute Size menu

Menu item	Description
Substitute Size All Listed Off Statement/A5 Letter/A4 11 x 17/A3	Substitutes a specified paper size if the requested paper size is not available Notes: <ul style="list-style-type: none"> • All Listed is the factory default setting. All available substitutions are allowed. • The Off setting indicates no size substitutions are allowed. • Setting a substitution lets the job print without a Change Paper message appearing.

Paper Texture menu

Menu item	Description
Plain Texture Smooth Normal Rough	Specifies the relative texture of the paper loaded in a specific tray Note: Normal is the factory default setting.
Card Stock Texture Smooth Normal Rough	Specifies the relative texture of the card stock loaded in a specific tray Notes: <ul style="list-style-type: none"> • Normal is the factory default setting. • Settings appear only if card stock is supported.
Transparency Texture Smooth Normal Rough	Specifies the relative texture of the transparencies loaded in a specific tray Note: Normal is the factory default setting.
Recycled Texture Smooth Normal Rough	Specifies the relative texture of the recycled paper loaded in a specific tray Note: Normal is the factory default setting.
Labels Texture Smooth Normal Rough	Specifies the relative texture of the labels loaded in a specific tray Note: Normal is the factory default setting.
Bond Texture Smooth Normal Rough	Specifies the relative texture of the paper loaded in a specific tray Note: Rough is the factory default setting.
Envelope Texture Smooth Normal Rough	Specifies the relative texture of the envelopes loaded in a specific tray Note: Normal is the factory default setting.

Menu item	Description
Rough Envelope Texture Smooth Normal Rough	Specifies the relative texture of the rough envelopes loaded in a specific tray Note: Rough is the factory default setting.
Letterhead Texture Smooth Normal Rough	Specifies the relative texture of the paper loaded in a specific tray Note: Normal is the factory default setting.
Preprinted Texture Smooth Normal Rough	Specifies the relative texture of the paper loaded in a specific tray Note: Normal is the factory default setting.
Colored Texture Smooth Normal Rough	Specifies the relative texture of the paper loaded in a specific tray Note: Normal is the factory default setting.
Light Texture Smooth Normal Rough	Specifies the relative texture of the paper loaded in a specific tray Note: Normal is the factory default setting.
Heavy Texture Smooth Normal Rough	Specifies the relative texture of the paper loaded in a specific tray Note: Normal is the factory default setting.
Rough Texture Smooth Normal Rough	Specifies the relative texture of the paper loaded in a specific tray Note: Rough is the factory default setting.
Custom <x> Texture Smooth Normal Rough	Specifies the relative texture of the custom paper loaded in a specific tray Note: Normal is the factory default setting.

Paper Loading menu

Menu item	Description
Card Stock Loading Duplex Off	Determines whether 2-sided printing occurs for all jobs that specify Card Stock as the paper type Note: Off is the factory default setting.
Recycled Loading Duplex Off	Determines whether 2-sided printing occurs for all jobs that specify Recycled as the paper type Note: Off is the factory default setting.
Labels Loading Duplex Off	Determines whether 2-sided printing occurs for all jobs that specify Labels as the paper type Note: Off is the factory default setting.
Bond Loading Duplex Off	Determines whether 2-sided printing occurs for all jobs that specify Bond as the paper type Note: Off is the factory default setting.
Letterhead Loading Duplex Off	Determines whether 2-sided printing occurs for all jobs that specify Letterhead as the paper type Note: Off is the factory default setting.
Preprinted Loading Duplex Off	Determines whether 2-sided printing occurs for all jobs that specify Preprinted as the paper type Note: Off is the factory default setting.
Colored Loading Duplex Off	Determines whether 2-sided printing occurs for all jobs that specify Colored as the paper type Note: Off is the factory default setting.
Light Loading Duplex Off	Determines whether 2-sided printing occurs for all jobs that specify Light as the paper type Note: Off is the factory default setting.
Heavy Loading Duplex Off	Determines whether 2-sided printing occurs for all jobs that specify Heavy as the paper type Note: Off is the factory default setting.
Rough Loading Duplex Off	Determines whether 2-sided printing occurs for all jobs that specify Rough as the paper type Note: Off is the factory default setting.
Notes: <ul style="list-style-type: none"> Duplex sets the printer default to 2-sided printing for every print job unless 1-sided printing is selected from Print Properties in Windows or the Print dialog in Macintosh. If Duplex is selected, then all print jobs are sent through the duplex unit, including 1-sided jobs. 	

Menu item	Description
Custom <x> Loading Duplex Off	Determines whether 2-sided printing occurs for all jobs that specify Custom <x> as the paper type Notes: <ul style="list-style-type: none"> • Off is the factory default setting. • Custom <x> Loading is available only if the custom type is supported.
Notes: <ul style="list-style-type: none"> • Duplex sets the printer default to 2-sided printing for every print job unless 1-sided printing is selected from Print Properties in Windows or the Print dialog in Macintosh. • If Duplex is selected, then all print jobs are sent through the duplex unit, including 1-sided jobs. 	

Custom Types menu

Menu item	Description
Custom Type <x> Paper Card Stock Transparency Rough/Cotton Labels Bond Envelope	Associates a paper or specialty media type with a factory default Custom Type <x> name or a user-defined Custom Name created from the Embedded Web Server or MarkVision Professional Notes: <ul style="list-style-type: none"> • Paper is the factory default setting. • The custom media type must be supported by the selected tray or multipurpose feeder in order to print from that source.
Recycled Paper Card Stock Transparency Rough/Cotton Labels Bond Envelope	Specifies a paper type when the Recycled setting is selected in other menus Notes: <ul style="list-style-type: none"> • Paper is the factory default setting. • The custom media type must be supported by the selected tray or multipurpose feeder in order to print from that source.

Universal Setup menu

These menu items are used to specify the height, width, and feed direction of the Universal Paper Size. The Universal Paper Size is a user-defined paper size setting. It is listed with the other paper size settings and includes similar options, such as support for duplex printing and printing multiple pages on one sheet.

Menu item	Description
Units of Measure Inches Millimeters	Identifies the units of measure Notes: <ul style="list-style-type: none"> • Inches is the US factory default setting. • Millimeters is the international factory default setting.
Portrait Width 3–17 inches 76–432 mm	Sets the portrait width Notes: <ul style="list-style-type: none"> • If the width exceeds the maximum, the printer uses the maximum width allowed. • 11.69 inches is the US factory default setting. Inches can be increased in 0.01-inch increments. • 297 mm is the international factory default setting. Millimeters can be increased in 1-mm increments.
Portrait Height 3–17 inches 76–432 mm	Sets the portrait height Notes: <ul style="list-style-type: none"> • If the height exceeds the maximum, the printer uses the maximum height allowed. • 17 inches is the US factory default setting. Inches can be increased in 0.01-inch increments. • 432 mm is the international factory default setting. Millimeters can be increased in 1-mm increments.
Feed Direction Short Edge Long Edge	Specifies the feed direction if the paper can be loaded in either direction Notes: <ul style="list-style-type: none"> • Short Edge is the factory default setting. • Long Edge appears only if the longest edge is shorter than the maximum width supported in the tray.

Bin Setup menu

Menu Item	Description
Output Bin Standard Bin Bin <x>	Specifies the default output bin Note: Standard Bin is the factory default setting.

Menu Item	Description
Configure Bins Mailbox Link Link Optional Type Assignment	Specifies configuration options for output bins Notes: <ul style="list-style-type: none"> • Mailbox is the factory default setting. • Bins assigned the same name are automatically linked unless Link Optional is selected. • The Mailbox setting treats each bin as a separate mailbox. • The Link setting links together all available output bins. • The Link Optional setting links together all available output bins except the standard bin and appears only when at least two optional bins are installed. • The Type Assignment setting assigns each paper type to an output bin or linked bin set.
Assign Type/Bin Plain Paper Bin Card Stock Bin Transparency Bin Recycled Bin Labels Bin Bond Bin Envelope Bin Rough Envelope Bin Letterhead Bin Preprinted Bin Colored Bin Light Bin Heavy Bin Rough/Cotton Bin Custom <x> Bin	Selects an output bin for each supported paper type Available selections for each type are: Disabled Standard Bin Bin <x> Note: Standard Bin is the factory default setting.

Reports menu

Menu item	Description
Menu Settings Page	Prints a report containing information about paper loaded into trays, installed memory, the total page count, alarms, timeouts, the printer control panel language, the TCP/IP address, the status of supplies, the status of the network connection, and other information
Device Statistics	Prints a report containing printer statistics such as supply information and details about printed pages

Menu item	Description
Network Setup Page	Prints a report containing information about the network printer settings, such as the TCP/IP address information Note: This menu item appears only for network printers or printers connected to print servers.
Network <x> Setup Page	Prints a report containing information about the network printer settings, such as the TCP/IP address information Notes: <ul style="list-style-type: none"> • This menu item is available when more than one network option is installed. • This menu item appears only for network printers or printers connected to print servers.
Profiles List	Prints a list of profiles stored in the printer
NetWare Setup Page	Prints a report containing NetWare-specific information about the network settings Note: This menu item appears only for printers with an internal print server installed.
Print Fonts PCL Fonts PostScript Fonts	Prints a report in English of all the fonts available for the printer language currently set in the printer Note: A separate list is available for PCL and PostScript emulations. Each emulator report contains print samples and information about the language's available fonts.
Print Directory Note: Only appears when there is an installed/mounted flash or disk device.	Prints a list of all the resources stored on an optional flash memory card or printer hard disk Notes: <ul style="list-style-type: none"> • Job Buffer Size must be set to 100%. • The optional flash memory or printer hard disk must be installed correctly and working properly.
Asset Report	Prints a report containing asset information including the printer serial number and model name. The report contains text and UPC barcodes that can be scanned into an asset database.
Print Demo	Prints a test page from the selected print media source.

Network/Ports menu

Active NIC menu

Menu item	Description
Active NIC Auto <list of available network cards>	Notes: <ul style="list-style-type: none"> • Auto is the factory default setting. • This menu item appears only if an optional network card is installed.

Standard Network or Network <x> menus

Note: Only active ports appear in this menu; all inactive ports are omitted.

Menu item	Description
PCL SmartSwitch On Off	Sets the printer to automatically switch to PCL emulation when a print job requires it, regardless of the default printer language Notes: <ul style="list-style-type: none"> • On is the factory default setting. • When the Off setting is used, the printer does not examine incoming data. • When the Off setting is used, the printer uses PostScript emulation if PS SmartSwitch is set to On. It uses the default printer language specified in the Setup menu if PS SmartSwitch is set to Off.
PS SmartSwitch On Off	Sets the printer to automatically switch to PS emulation when a print job requires it, regardless of the default printer language Notes: <ul style="list-style-type: none"> • On is the factory default setting. • When the Off setting is used, the printer does not examine incoming data. • When the Off setting is used, the printer uses PCL emulation if PCL SmartSwitch is set to On. It uses the default printer language specified in the Setup menu if PCL SmartSwitch is set to Off.
NPA Mode Auto Off	Sets the printer to perform the special processing required for bidirectional communication following the conventions defined by the NPA protocol Notes: <ul style="list-style-type: none"> • Auto is the factory default setting. • Changing this setting from the printer control panel and then exiting the menus causes the printer to restart. The menu selection is updated.
Network Buffer Auto 3K to <maximum size allowed>	Sets the size of the network input buffer Notes: <ul style="list-style-type: none"> • Auto is the factory default setting. • The value can be changed in 1-K increments. • The maximum size allowed depends on the amount of memory in the printer, the size of the other link buffers, and whether Resource Save is set to On or Off. • To increase the maximum size range for the Network Buffer, disable or reduce the size of the parallel, serial, and USB buffers. • Changing this setting from the printer control panel and then exiting the menus causes the printer to restart. The menu selection is updated.

Menu item	Description
Job Buffering Off On Auto	Temporarily stores jobs on the printer hard disk before printing. This menu appears only if a formatted disk is installed. Notes: <ul style="list-style-type: none"> • Off is the factory default setting. • The On value buffers jobs on the printer hard disk. This menu selection appears only when a formatted disk is installed and is not defective. • The Auto setting buffers print jobs only if the printer is busy processing data from another input port. • Changing this setting from the printer control panel and then exiting the menus causes the printer to restart. The menu selection is updated.
Mac Binary PS Auto On Off	Sets the printer to process Macintosh binary PostScript print jobs Notes: <ul style="list-style-type: none"> • Auto is the factory default setting. • The Off setting filters print jobs using the standard protocol. • The On setting processes raw binary PostScript print jobs.
Std Network Setup Network Card TCP/IP IPv6 AppleTalk NetWare LexLink Net <x> Setup Reports or Network Reports Network Card TCP/IP IPv6 Wireless AppleTalk NetWare LexLink	Sets printer settings on jobs sent through a network port Note: The Wireless menu appears only when the printer is connected to a wireless network.

Network Reports menu

This menu is available from the Network/Ports menu:

Network/Ports > Standard Network or Network <x> > Std Network Setup or Net <x> Setup > Reports or Network Reports

Menu item	Description
Print Setup Page	Prints a report containing information about the current network setup
Print NetWare Setup Page	<p>Notes:</p> <ul style="list-style-type: none"> • The Setup Page contains information about the network printer settings, such as the TCP/IP address. • The NetWare Setup Page menu item appears only on models that support NetWare and shows information about NetWare settings.

Network Card menu

This menu is available from the Network/Ports menu:

Network/Ports > Standard Network or Network <x> > Std Network Setup or Net <x> Setup > Network Card

Menu item	Description
View Card Status Connected Disconnected	Lets you view the connection status of the Network Card
View Card Speed	Lets you view the speed of a currently active network card
Network Address UAA LAA	Lets you view the network addresses
Job Timeout 0-225 seconds	<p>Sets the amount of time in seconds that a network print job can take before it is canceled</p> <p>Notes:</p> <ul style="list-style-type: none"> • 90 seconds is the factory default setting. • A setting value of 0 disables the timeout. • If a value of 1–9 is selected, then the setting is saved as 10.
Banner Page Off On	<p>Allows the printer to print a banner page</p> <p>Note: Off is the factory default setting.</p>

TCP/IP menu

Use the following menu items to view or set the TCP/IP information.

Note: This menu is available only for network models or printers attached to print servers.

This menu is available from the Network/Ports menu:

Network/Ports > Standard Network or Network <x> > Std Network Setup or Net <x> Setup > TCP/IP

Menu item	Description
Activate On Off	Activates TCP/IP Note: On is the factory default setting.
View Hostname	Lets you view the current TCP/IP hostname Note: This can be changed only from the Embedded Web Server.
IP Address	Lets you view or change the current TCP/IP Address Note: Manually setting the IP address sets the Enable DHCP and Enable Auto IP settings to Off. It also sets Enable BOOTP and Enable RARP to Off on systems that support BOOTP and RARP.
Netmask	Lets you view or change the current TCP/IP Netmask
Gateway	Lets you view or change the current TCP/IP Gateway
Enable DHCP On Off	Specifies the DHCP address and parameter assignment setting Note: On is the factory default setting.
Enable RARP On Off	Specifies the RARP address assignment setting Note: On is the factory default setting.
Enable BOOTP On Off	Specifies the BOOTP address assignment setting Note: On is the factory default setting.
Enable AutoIP Yes No	Specifies the Zero Configuration Networking setting Note: Yes is the factory default setting.
Enable FTP/TFTP Yes No	Enables the built-in FTP server, which allows you to send files to the printer using the File Transfer Protocol. Note: Yes is the factory default setting.
Enable HTTP Server Yes No	Enables the built-in Web server (Embedded Web Server). When enabled, the printer can be monitored and managed remotely using a web browser. Note: Yes is the factory default setting.
DNS Server Address	Lets you view or change the current DNS Server Address
Enable DDNS/MDNS	Lets you view or change the current DDNS/MDNS Server Address
WINS Server Address	Lets you view or change the current WINS Server Address

IPv6 menu

Use the following menu items to view or set the Internet Protocol version 6 (IPv6) information.

Note: This menu is available only for network models or printers attached to print servers.

This menu is available from the Network/Ports menu:

Network/Ports > Standard Network or **Network <x> > Std Network Setup** or **Net <x> Setup > IPv6**

Menu item	Description
Enable IPv6 On Off	Enables IPv6 in the printer Note: On is the factory default setting.
Auto Configuration On Off	Specifies whether the network adapter accepts the automatic IPv6 address configuration entries provided by a router Note: On is the factory default setting.
View Hostname View Address View Router Address	Lets you view the current setting Note: These settings can be changed only from the Embedded Web Server.
Enable DHCPv6 On Off	Enables DHCPv6 in the printer Note: On is the factory default setting.

Wireless menu

Use the following menu items to view or configure the wireless internal print server settings.

Note: This menu is available only for models connected to a wireless network.

This menu is available from the Network/Ports menu:

Network/Ports > Network <x> > Net <x> Setup > Wireless

Menu item	Description
Network Mode Infrastructure Ad hoc	Specifies the network mode Notes: <ul style="list-style-type: none"> Infrastructure mode lets the printer access a network using an access point. Ad hoc is the factory default setting. Ad hoc mode configures the printer for wireless networking directly between it and a computer.
Compatibility 802.11n 802.11b/g 802.11b/g/n	Specifies the wireless standard for the wireless network
Choose Network <list of available networks>	Lets you select an available network for the printer to use
View Signal Quality	Lets you view the quality of the wireless connection
View Security Mode	Lets you view the encryption method for the wireless connection. "Disabled" indicates that the wireless network is not encrypted.

AppleTalk menu

This menu is available from the Network/Ports menu:

Network/Ports > Standard Network or Network <x> > Std Network Setup or Net <x> Setup > AppleTalk

Menu item	Description
Activate Yes No	Activates AppleTalk support Note: Yes is the factory default setting.
View Name	Shows the assigned AppleTalk name Note: The name can be changed only from the Embedded Web Server.
View Address	Shows the assigned AppleTalk address Note: The address can be changed only from the Embedded Web Server.
Set Zone <list of zones available on the network>	Provides a list of AppleTalk zones available on the network Note: The default setting is the default zone for the network. If no default zone exists, the zone marked with an * is the default setting.

NetWare menu

This menu is available from the Network/Ports menu:

Network/Ports > Standard Network or Network <x> > Std Network Setup or Net <x> Setup > NetWare

Menu item	Description
Activate Yes No	Activates NetWare support Note: No is the factory default setting.
View Login Name	Lets you view the assigned NetWare login name Note: This can be changed only from the Embedded Web Server.
Print Mode	Lets you view the assigned NetWare print mode Note: This can be changed only from the Embedded Web Server.
Network Number	Lets you view the assigned NetWare network number Note: This can be changed only from the Embedded Web Server.
Select SAP Frames Ethernet 802.2 Ethernet 802.3 Ethernet Type II Ethernet SNAP	Enables the Ethernet frame type setting Note: On is the factory default setting for all menu items.
Packet Burst Yes No	Reduces network traffic by allowing the transfer and acknowledgement of multiple data packets to and from the NetWare server Note: Yes is the factory default setting.

Menu item	Description
NSQ/GSQ Mode Yes No	Specifies the NSQ/GSQ Mode setting Note: Yes is the factory default setting.

LexLink menu

This menu is available from the Network/Ports menu:

Network/Ports > Standard Network or Network <x> > Std Network Setup or Net <x> Setup > LexLink menu

Menu item	Description
Activate On Off	Activates LexLink support Note: Off is the factory default setting.
View Nickname	Lets you view the assigned LexLink nickname Note: The LexLink nickname can be changed only from the Embedded Web Server.

Standard USB menu

Menu item	Description
PCL SmartSwitch On Off	Sets the printer to automatically switch to PCL emulation when a print job received through a USB port requires it, regardless of the default printer language Notes: <ul style="list-style-type: none"> • On is the factory default setting. • When the Off setting is used, the printer does not examine incoming data. • When the Off setting is used, the printer uses PostScript emulation if the PS SmartSwitch setting is On. It uses the default printer language specified in the Setup menu if the PS SmartSwitch setting is Off.
PS SmartSwitch On Off	Sets the printer to automatically switch to PS emulation when a print job received through a USB port requires it, regardless of the default printer language Notes: <ul style="list-style-type: none"> • On is the factory default setting. • When the Off setting is used, the printer does not examine incoming data. • When the Off setting is used, the printer uses PCL emulation if the PCL SmartSwitch setting is On. It uses the default printer language specified in the Setup menu if the PCL SmartSwitch setting is Off.

Menu item	Description
NPA Mode Auto Off	Sets the printer to perform the special processing required for bidirectional communication following the conventions defined by the NPA protocol Notes: <ul style="list-style-type: none"> • Auto is the factory default setting. • Changing this setting from the printer control panel and then exiting the menus causes the printer to restart. The menu selection is updated.
USB Buffer Auto Disabled 3K to <maximum size allowed>	Sets the size of the USB input buffer Notes: <ul style="list-style-type: none"> • Auto is the factory default setting. • The Disabled setting turns off job buffering. Any jobs already buffered on the disk are printed before normal processing is resumed. • The USB buffer size value can be changed in 1-K increments. • The maximum size allowed depends on the amount of memory in the printer, the size of the other link buffers, and whether the Resource Save setting is On or Off. • To increase the maximum size range for the USB Buffer, disable or reduce the size of the parallel, serial, and network buffers. • Changing this setting from the printer control panel and then exiting the menus causes the printer to restart. The menu selection is updated.
Job Buffering Off On Auto	Temporarily stores jobs on the printer hard disk before printing Notes: <ul style="list-style-type: none"> • Off is the factory default setting. • The On setting buffers jobs on the printer hard disk. • The Auto setting buffers print jobs only if the printer is busy processing data from another input port. • Changing this setting from the printer control panel and then exiting the menus causes the printer to restart. The menu selection is updated.
Mac Binary PS Auto Off On	Sets the printer to process Macintosh binary PostScript print jobs Notes: <ul style="list-style-type: none"> • Auto is the factory default setting. • The Off setting filters print jobs using the standard protocol. • The On setting processes raw binary PostScript print jobs.
USB With ENA ENA Address ENA Netmask ENA Gateway	Sets the network address, netmask, or gateway information for an external print server that is attached to the printer using a USB cable. Note: This menu item is available only if the printer is attached to an external print server through the USB port.

SMTP Setup menu

Use the following menu to configure the SMTP server.

Menu item	Description
Primary SMTP Gateway Primary SMTP Gateway Port Secondary SMTP Gateway Secondary SMTP Gateway Port	Specifies SMTP server port information Note: 25 is the default SMTP gateway port. Range is 1-65536.
SMTP Timeout 5–30	Specifies the amount of time in seconds before the server stops trying to send the e-mail Note: 30 seconds is the factory default setting.
Reply Address	Specifies a reply address of up to 128 characters in e-mail sent by the printer
Use SSL Disabled Negotiate Required	Sets the printer to use SSL for increased security when connecting to the SMTP server Notes: <ul style="list-style-type: none"> • Disabled is the factory default setting for Use SSL. • When the Negotiate setting is used, your SMTP server determines if SSL will be used.
SMTP Server Authentication No authentication required Login/Plain CRAM-MD5 Digest-MD5 NTLM Kerberos 5	Specifies the type of user authentication required Note: "No authentication required" is the factory default setting.
Device-Initiated E-mail None Use Device SMTP Credentials Device Userid Device Password Kerberos 5 Realm NTLM Domain	Specifies what credentials will be used when communicating to the SMTP server. Some SMTP servers require credentials in order to send e-mail. Notes: <ul style="list-style-type: none"> • None is the factory default setting for Device-Initiated E-mail. • Device Userid and Device Password are used to log in to the SMTP server when "Use Device SMTP Credentials" is selected.

Security menu

Miscellaneous menu

Menu item	Description
Login Restriction Login failures 1-10 (3 attempts) Failure time frame 1-60 (5 minutes) Lockout time 1-60 (5 minutes) Panel Login Timeout 1-900 (3 seconds) Remote Login Timeout 1-120 (10 minutes)	Limits the number and time frames of failed login attempts from the printer control panel before <i>all</i> users are locked out Notes: <ul style="list-style-type: none"> • “Login failures” specifies the number of failed login attempts before users are locked out. 3 attempts is the factory default setting. • “Failure time frame” specifies the time frame during which failed login attempts can be made before users are locked out. 5 minutes is the factory default setting. • “Lockout time” specifies how long users are locked out after exceeding the login failures limit. 5 minutes is the factory default setting. • “Panel Login Timeout” specifies how long the printer remains idle on the Home screen before automatically logging the user off. 3 seconds is the factory default setting. • “Remote Login Timeout” specifies how long a remote interface (for example, the Web page) can remain idle before automatically logging the user off. 10 minutes is the factory default setting.
Enable Drive Enable Disable	Enables or disables support for the front USB port.

Confidential Print menu

Menu item	Description
Max Invalid PIN Off 2–10	Limits the number of times an invalid PIN can be entered Notes: <ul style="list-style-type: none"> • Off is the default setting. • This menu item appears only if a printer hard disk is installed. • Once a limit is reached, the jobs for that user name and that PIN are deleted.
Job Expiration Off 1 hour 4 hours 24 hours 1 week	Limits the amount of time a confidential job stays in the printer before it is deleted Notes: <ul style="list-style-type: none"> • Off is the default setting. • If the Job Expiration setting is changed while confidential jobs reside on the printer RAM or printer hard disk, the expiration time for those print jobs does not change to the new default value. • If the printer is turned off, all confidential jobs held in printer RAM are deleted.

Disk Wiping menu

Menu item	Description
Automatic Wiping Single pass Multiple pass	<p>Disk Wiping erases <i>only</i> print job data that <i>is not</i> currently in use by the file system from the printer hard disk. All permanent data on the printer hard disk is preserved, such as downloaded fonts, macros, and held jobs.</p> <p>Automatic Wiping marks all disk space used by a previous job and does not permit the file system to reuse this space until it has been sanitized.</p> <p>Only Automatic Wiping enables users to activate disk wiping without having to take the printer offline for an extended amount of time.</p> <p>Notes:</p> <ul style="list-style-type: none"> • “Single pass” is the factory default setting. • This menu item appears only if a formatted, non-defective printer hard disk is installed. • Highly confidential information should be wiped using the “Multiple Pass” method <i>only</i>. • Due to the large amount of resources required for Automatic Wiping, activating this option may decrease printer performance, especially if the printer requires hard disk space faster than it can be wiped and returned to service.
Manual Wiping Do not start now Start now	<p>Disk Wiping erases <i>only</i> print job data that <i>is not</i> currently in use by the file system from the printer hard disk. All permanent data on the printer hard disk is preserved, such as downloaded fonts, macros, and held jobs.</p> <p>Manual Wiping overwrites all disk space that has been used to hold data from a print job that has been processed. This type of wiping <i>does not</i> erase any information related to an unprocessed print job.</p> <p>Notes:</p> <ul style="list-style-type: none"> • “Do not start now” is the factory default setting. • This menu item appears only if a formatted, non-defective printer hard disk is installed. • If the Disk Wiping access control is activated, then a user must successfully authenticate and have the required authorization in order to initiate the disk wipe.
Automatic Method Single pass Multiple pass	<p>Disk Wiping erases <i>only</i> print job data that <i>is not</i> currently in use by the file system from the printer hard disk. All permanent data on the printer hard disk is preserved, such as downloaded fonts, macros, and held jobs.</p> <p>Notes:</p> <ul style="list-style-type: none"> • “Single pass” is the factory default setting. • This menu item appears only if a formatted, non-defective printer hard disk is installed. • Highly confidential information should be wiped using the “Multiple pass” method <i>only</i>.

Menu item	Description
Manual Method Single pass Multiple pass	<p>Disk Wiping erases <i>only</i> print job data that <i>is not</i> currently in use by the file system from the printer hard disk. All permanent data on the printer hard disk is preserved, such as downloaded fonts, macros, and held jobs.</p> <p>Both manual and scheduled wiping allow the file system to reuse marked disk space without first having to wipe it.</p> <p>Notes:</p> <ul style="list-style-type: none"> • “Single pass” is the factory default setting. • This menu item appears only if a formatted, non-defective printer hard disk is installed. • Highly confidential information should be wiped using the “Multiple pass” method <i>only</i>.
Scheduled Method Single pass Multiple pass	<p>Disk Wiping erases <i>only</i> print job data that <i>is not</i> currently in use by the file system from the printer hard disk. All permanent data on the printer hard disk is preserved, such as downloaded fonts, macros, and held jobs.</p> <p>Both manual and scheduled wiping allow the file system to reuse marked disk space without first having to wipe it.</p> <p>Notes:</p> <ul style="list-style-type: none"> • “Single pass” is the factory default setting. • This menu item appears only if a formatted, non-defective printer hard disk is installed. • Highly confidential information should be wiped using the “Multiple pass” method <i>only</i>. • Scheduled wipes are initiated <i>without</i> displaying a user warning or confirmation message.

Security Audit Log menu

Menu item	Description
Export Log	<p>Enables an authorized user to export the security log</p> <p>Notes:</p> <ul style="list-style-type: none"> • To export the log from the printer control panel, a flash drive must be attached to the printer. • From the Embedded Web Server, the log can be downloaded to a computer.
Delete Log Delete now Do not delete	<p>Specifies whether audit logs are deleted</p> <p>Note: Delete Now is the factory default setting.</p>
Configure Log Enable Audit Enable Remote Syslog Remote Syslog Facility Severity of events to log	<p>Specifies whether and how the audit logs are created</p> <p>Note: Factory default settings enable the security audit log.</p>

Set Date/Time menu

Menu item	Description
View Date/Time	Lets you view the current date and time settings for the printer
Set Date/Time <input date/time>	Note: Date/Time is set in YYYY-MM-DD HH:MM format.
Time Zone <list of time zones>	Note: GMT is the factory default setting.
Observe DST On Off	Note: On is the factory default setting and uses the applicable Daylight Saving Time associated with the Time Zone setting.
Enable NTP On Off	Enables Network Time Protocol, which synchronizes the clocks of devices on a network Note: On is the factory default setting.

Settings menu

General Settings menu

Menu item	Description
Display Language English Francais Deutsch Italiano Espanol Dansk Norsk Nederlands Svenska Portuguese Suomi Russian Polski Magyar Turkce Cesky Simplified Chinese Traditional Chinese Korean Japanese	Sets the language of the text appearing on the display Note: All languages may not be available for all printers.

Menu item	Description
Run Initial setup Yes No	Instructs the printer to run the setup wizard Notes: <ul style="list-style-type: none"> • Yes is the factory default setting. • After completing the setup wizard by selecting Done at the Country select screen, the default becomes No.
Paper Sizes US Metric	Specifies the printer factory default measurements. The default is determined by the country/region selection in the initial setup wizard. Note: Changing this setting also changes the Units of Measurement setting in the Universal Setup menu and the default for each input source in the Paper Size/Paper Type menu.
Alarms Alarm Control Cartridge Alarm Staple Alarm Hole Punch Alarm	Sets an alarm to sound when the printer requires operator intervention Available selections for each alarm type are: Single Off Continuous Notes: <ul style="list-style-type: none"> • Single is the factory default setting for Alarm Control. Single sounds three quick beeps. • Off is the factory default setting for Cartridge Alarm and Staple Alarm. Off means no alarm will sound. • Continuous repeats three beeps every 10 seconds. • The Staple Alarm is available only when the finisher is installed. • The Hole Punch Alarm is displayed only when a finisher with hole punch is installed.
Timeouts Job Hold Timeout 5–255 sec	Sets the amount of time the printer waits for user intervention before it holds jobs that require unavailable resources and continues to print other jobs in the print queue Notes: <ul style="list-style-type: none"> • 30 seconds is the factory default setting. • This menu item appears only when a printer hard disk is installed.

Menu item	Description
Timeouts Power Saver 1–240 min	Sets the amount of time the printer waits after a job is printed before it goes into a reduced power state Notes: <ul style="list-style-type: none"> • 30 minutes is the factory default setting. • Lower settings conserve more energy, but may require longer warm-up times. • Select the lowest setting if the printer shares an electrical circuit with room lighting or you notice lights flickering in the room. • Select a high setting if the printer is in constant use. Under most circumstances, this keeps the printer ready to print with minimum warm-up time.
Timeouts Screen Timeout 15–300 sec	Sets the amount of time in seconds the printer waits before returning the printer display to a Ready state Note: 30 seconds is the factory default setting.
Timeouts Print Timeout Disabled 1–255 sec	Sets the amount of time in seconds the printer waits to receive an end-of-job message before canceling the remainder of the print job Notes: <ul style="list-style-type: none"> • 90 seconds is the factory default setting. • When the timer expires, any partially printed page still in the printer is printed, and then the printer checks to see if any new print jobs are waiting. • Print Timeout is available only when using PCL emulation. This setting has no effect on PostScript emulation print jobs.
Timeouts Wait Timeout Disabled 15–65535 sec	Sets the amount of time in seconds the printer waits for additional data before canceling a print job Notes: <ul style="list-style-type: none"> • 40 seconds is the factory default setting. • Wait Timeout is available only when the printer is using PostScript emulation. This setting has no effect on PCL or PPDS emulation print jobs.
Print Recovery Auto Continue Disabled 5–255 sec	Lets the printer automatically continue printing from certain offline situations when not resolved within the specified time period Note: Disabled is the factory default setting.
Print Recovery Auto Jam Recovery	Specifies whether the printer reprints jammed pages Notes: <ul style="list-style-type: none"> • Auto is the factory default setting. The printer reprints jammed pages unless the memory required to hold the pages is needed for other printer tasks. • On sets the printer to always reprint jammed pages. • Off sets the printer to never reprint jammed pages.

Menu item	Description
Print Recovery Page Protect Off On	Lets the printer successfully print a page that may not have printed otherwise Notes: <ul style="list-style-type: none"> • Off is the factory default setting. Off prints a partial page when there is not enough memory to print the whole page. • On sets the printer to process the whole page so that the entire page prints.
Factory Defaults Do Not Restore Restore Now	Returns the printer settings to the factory default settings Notes: <ul style="list-style-type: none"> • Do Not Restore is the factory default setting. Do Not Restore keeps the user-defined settings. • Restore Now returns all printer settings to the factory default settings except Network/Ports menu settings. All downloads stored in RAM are deleted. Downloads stored in flash memory or on a printer hard disk are not affected.
Custom Home Message Off IP Address Hostname Contact Name Location Zero Configuration Name Custom Text 1	Sets a pre-configured or customized message to appear on the display beside Ready Notes: <ul style="list-style-type: none"> • Off is the factory default setting. • IP address and Hostname are pre-configured messages. • Contact Name, Location, Zero Configuration Name, and Custom Text 1 are messages that can be customized by a system support person.

Setup menu

Menu item	Description
Printer Language PCL Emulation PS Emulation	Sets the default printer language Notes: <ul style="list-style-type: none"> • PCL emulation uses a PCL interpreter for processing print jobs. PostScript emulation uses a PS interpreter for processing print jobs. • PCL is the factory default printer language. • Setting a printer language as the default does not prevent a software program from sending print jobs that use another printer language.

Menu item	Description
Job Waiting On Off	<p>Specifies that print jobs be removed from the print queue if they require unavailable printer options or custom settings. They are stored in a separate print queue, so other jobs print normally. When the missing information and/or options are obtained, the stored jobs print.</p> <p>Notes:</p> <ul style="list-style-type: none"> • Off is the factory default setting. • This menu appears only if a non-Read Only printer hard disk is installed. This requirement ensures that stored jobs are not deleted if the printer loses power.
Print Area Normal Whole Page	<p>Sets the logical and physical printable area</p> <p>Notes:</p> <ul style="list-style-type: none"> • This menu does not appear if Edge to Edge is enabled in the printer Setup menu. • Normal is the factory default setting. When attempting to print data in the non-printable area defined by the Normal setting, the printer clips the image at the boundary. • The Whole Page setting allows the image to be moved into the non-printable area defined by the Normal setting, but the printer will clip the image at the Normal setting boundary. • The Whole Page setting only affects pages printed using a PCL 5e interpreter. This setting has no effect on pages printed using the PCL XL or PostScript interpreter.
Download Target RAM Flash Disk	<p>Sets the storage location for downloads</p> <p>Notes:</p> <ul style="list-style-type: none"> • RAM is the factory default setting. • Storing downloads in flash memory or on a printer hard disk places them in permanent storage. Downloads remain in flash memory or on the printer hard disk even when the printer is turned off. • Storing downloads in RAM is temporary. • This menu appears only if a flash and/or disk option is installed.

Menu item	Description
Job Accounting On Off	Specifies whether the printer stores statistical information about the most recent print jobs on the hard disk Notes: <ul style="list-style-type: none"> • Off is the factory default setting. Off means the printer does not store job statistics. • The statistics include a record of print errors, the print time, the job size in bytes, the requested paper size and type, the total number of printed pages, and the total number of copies requested. • Job Accounting is available only when a printer hard disk is installed and working properly. It should not be Read/Write or Write protected. Job Buffer Size should not be set to 100%. • Changing this setting from the printer control panel and then exiting the menus causes the printer to reset. The menu selection is updated.
Resource Save On Off	Specifies how the printer handles temporary downloads, such as fonts and macros stored in RAM, when the printer receives a job that requires more memory than is available Notes: <ul style="list-style-type: none"> • Off is the factory default setting. Off sets the printer to retain the downloads only until memory is needed. Downloads are deleted in order to process print jobs. • The On setting retains the downloads during language changes and printer resets. If the printer runs out of memory, 38 Memory Full appears, and downloads are not deleted.
Print All Order Alphabetically Newest First Oldest First	Specifies the order in which held and confidential jobs are printed when Print All is selected Notes: <ul style="list-style-type: none"> • Alphabetically is the factory default setting. • Print jobs always appear in alphabetical order on the printer control panel.

Finishing menu

Menu item	Description
Sides (Duplex) 1 sided 2 sided	Specifies whether duplex (2-sided) printing is set as the default for all print jobs Notes: <ul style="list-style-type: none"> • 1 sided is the factory default setting. • To set 2-sided printing from the software program: for Windows users, click File > Print, and then click Properties, Preferences, Options, or Setup; for Macintosh users, choose File > Print, and then adjust the settings from the Print dialog and pop-up menus.
Duplex Binding Long Edge Short Edge	Defines the way duplexed pages are bound and how the printing on the back of the page is oriented in relation to the printing on the front of the page Notes: <ul style="list-style-type: none"> • Long Edge is the factory default setting. • Long Edge specifies that binding be placed on the left edge of portrait pages and the top edge of landscape pages. • Short Edge specifies that binding be placed on the top edge of portrait pages and the left edge of landscape pages.
Copies 1–999	Specifies a default number of copies for each print job Note: 1 is the factory default setting.
Blank Pages Do Not Print Print	Specifies whether blank pages are inserted in a print job Note: Do Not Print is the factory default setting.
Collate On (1,2,1,2,1,2) Off (1,1,1,2,2,2)	Stacks the pages of a print job in sequence when printing multiple copies Notes: <ul style="list-style-type: none"> • On is the factory default setting. • The On setting stacks the print job sequentially. • Both settings print the entire job the number of times specified by the Copies menu setting.
Separator Sheets None Between Copies Between Jobs Between Pages	Specifies whether blank separator sheets are inserted Notes: <ul style="list-style-type: none"> • None is the factory default setting. • Between Copies inserts a blank sheet between each copy of a print job if Collation is set to On. If Collation is set to Off, a blank page is inserted between each set of printed pages, such as after all page 1's and after all page 2's. • Between Jobs inserts a blank sheet between print jobs. • Between Pages inserts a blank sheet between each page of the print job. This setting is useful when printing transparencies or inserting blank pages in a document for notes.

Menu item	Description
Separator Source Tray <x> Manual Feeder	Specifies the paper source for separator sheets Notes: <ul style="list-style-type: none"> • Tray 1 (standard tray) is the factory default setting. • From the Paper menu, Configure MP must be set to Cassette in order for Multi-Purpose Feeder to appear as a menu setting.
N-up (pages-side) Off 2-Up 3-Up 4-Up 6-Up 9-Up 12-Up 16-Up	Specifies that multiple-page images be printed on one side of a sheet of paper Notes: <ul style="list-style-type: none"> • Off is the factory default setting. • The number selected is the number of page images that will print per side.
N-up Ordering Horizontal Reverse Horizontal Reverse Vertical Vertical	Specifies the positioning of multiple-page images when using N-up (pages-sides) Notes: <ul style="list-style-type: none"> • Horizontal is the factory default setting. • Positioning depends on the number of images and whether the images are in portrait or landscape orientation.
Orientation Auto Landscape Portrait	Specifies the orientation of a multiple-page sheet Note: Auto is the factory default setting. The printer chooses between portrait and landscape.
N-up Border None Solid	Prints a border around each page image when using N-up (pages-sides) Note: None is the factory default setting.
Staple Job Off Auto Front Back Dual	Specifies whether print jobs are stapled Notes: <ul style="list-style-type: none"> • Off is the factory default setting. Print jobs are not stapled. • Envelopes are not stapled.
Hole Punch Off On	Specifies whether a hole punch is applied to print jobs Notes: <ul style="list-style-type: none"> • This menu item is available only when a finisher with Hole Punch is installed. • Off is the factory default setting. A hole punch is not applied to print jobs.

Menu item	Description
Hole Punch Mode 2, 3 2, 4	Specifies the number of hole punches in print jobs Notes: <ul style="list-style-type: none"> • This menu item is available only when a finisher with Hole Punch is installed. • The values of 2 and 3 are displayed only when the 3 Hole Finisher, that can also be used for 2 holes, is installed. • The 3 hole finisher allows the user to select 2 or 3 hole punch. • The 4 hole finisher allows the user to select 2 or 4 hole punch.
Offset Pages None Between Copies Between Jobs	Stacks copies or print jobs into staggered sets in an output bin Notes: <ul style="list-style-type: none"> • None is the factory default setting. No pages are offset during the print job. • Between Copies offsets each copy of a print job. • Between Jobs offsets each print job.

Quality menu

Menu item	Description
Print Resolution 300 dpi 600 dpi 1200 dpi 1200 Image Q 2400 Image Q	Specifies the printed output resolution Note: 600 dpi is the factory default setting. The printer driver default is 1200 IQ.
Pixel Boost Off Fonts Horizontally Vertically Both Directions	Enhances the printed quality of small fonts and graphics Notes: <ul style="list-style-type: none"> • Off is the factory default setting. • Fonts applies this setting only to text. • Horizontally darkens horizontal lines of text and images. • Vertically darkens vertical lines of text and images. • Both Directions darkens horizontal and vertical lines on text and images.
Toner Darkness 1–10	Lightens or darkens the printed output Notes: <ul style="list-style-type: none"> • 8 is the factory default setting. • Selecting a smaller number can help conserve toner.

Menu item	Description
Enhance Fine Lines On Off	Enables a print mode preferable for files such as architectural drawings, maps, electrical circuit diagrams, and flow charts Notes: <ul style="list-style-type: none"> • Off is the factory default setting. • To set Enhance Fine Lines using the Embedded Web Server, type the network printer IP address in a browser window.
Gray Correction Auto Off	Adjusts the gray value of printed output Note: Auto is the factory default setting.
Brightness -6 to +6	Adjusts or darkens printed output and conserves toner Notes: <ul style="list-style-type: none"> • 0 is the factory default setting. • A negative value will darken text, images, and graphics. A positive value will lighten them and conserve toner.
Contrast 0–5	Adjusts the degree of difference between levels of gray in printed output Notes: <ul style="list-style-type: none"> • 0 is the factory default setting. • Higher settings show more difference between levels of gray.

Utilities menu

Menu item	Description
Remove Held Jobs Confidential Held Not Restored All	Removes confidential and held jobs from the printer hard disk Notes: <ul style="list-style-type: none"> • Selecting a setting affects only print jobs that are resident in the printer. Bookmarks, jobs on flash drives, and other types of held jobs are not affected. • Selecting Not Restored removes all Print and Hold jobs that were <i>not</i> restored from the disk.
Format Flash Yes No	Formats the flash memory. Flash memory refers to the memory added by installing a flash memory option card in the printer. Warning—Potential Damage: Do not turn off the printer while the flash memory is formatting. Notes: <ul style="list-style-type: none"> • A flash memory option card must be installed in the printer and operating properly for this menu item to be available. The flash memory option card must not be Read/Write or Write protected. • Selecting Yes deletes all data stored in flash memory. • No cancels the format request.

Menu item	Description
Delete Downloads on Disk Delete Now Do Not Delete	Removes downloads from the printer hard disk, including all held Jobs, buffered jobs, and parked jobs. Job accounting information is not affected. Note: Delete Now is the default setting.
Job Acct Stat Print Clear	Prints a list of all stored job statistics or deletes the information from the printer hard disk Notes: <ul style="list-style-type: none"> • A printer hard disk must be installed in the printer and operating properly for this menu item to be available. • Selecting Print prints a list of statistics. • Clear deletes all job statistics stored on the printer hard disk. • The Clear selection will not appear if Job Accounting is set to MarkTrack™ using NPA.
Hex Trace Activate	Assists in isolating the source of a print job problem Notes: <ul style="list-style-type: none"> • When Activate is selected, all data sent to the printer is printed in hexadecimal and character representation and control codes are not executed. • To exit or deactivate Hex Trace, turn the printer off or reset the printer.
Coverage Estimator Off On	Provides an estimate of the percentage coverage of black on a page. The estimate is printed on a separate page at the end of each print job. Note: Off is the factory default setting.
LCD Contrast 1–10	Adjusts the contrast lighting of the display Notes: <ul style="list-style-type: none"> • 5 is the factory default setting. • A higher setting makes the display appear lighter. • A lower setting makes the display appear darker.
LCD Brightness 1–10	Adjusts the brightness of the backlight on the display Notes: <ul style="list-style-type: none"> • 5 is the factory default setting. • A higher setting makes the display appear lighter. • A lower setting makes the display appear darker.

XPS menu

Menu item	Description
Print Error Pages Off On	Prints a page containing information on errors, including XML markup errors Note: Off is the factory default setting.

PDF menu

Menu item	Description
Scale to Fit Yes No	Scales page content to fit the selected paper size Note: No is the factory default setting.
Annotations Do Not Print Print	Prints annotations in a PDF Note: Do Not Print is the factory default setting.

PostScript menu

Menu item	Description
Print PS Error On Off	Prints a page containing the PostScript error Note: Off is the factory default setting.
Font Priority Resident Flash/Disk	Establishes the font search order Notes: <ul style="list-style-type: none"> • Resident is the factory default setting. • A formatted flash memory option card or printer hard disk must be installed in the printer and operating properly for this menu item to be available. • The flash memory option or printer hard disk cannot be Read/Write, Write, or password protected. • Job Buffer Size must not be set to 100%.

PCL Emul menu

Menu item	Description
Font Source Resident Disk Download Flash All	Specifies the set of fonts used by the Font Name menu item Notes: <ul style="list-style-type: none"> • Resident is the factory default setting. It shows the factory default set of fonts downloaded into printer RAM. • Flash and Disk settings appear only if applicable and show all fonts resident in that option. • Flash and Disk options must be properly formatted and cannot be Read/Write, Write, or password protected. • Download appears only if applicable and shows all the fonts downloaded into printer RAM. • All shows all fonts available to any option.

Menu item	Description
Font Name <list of available fonts>	Identifies a specific font and the option where it is stored Notes: <ul style="list-style-type: none"> • Courier 10 is the factory default setting. • The font source abbreviation is R for Resident, F for Flash, K for Disk, and D for download.
Symbol Set 10U PC-8 12U PC-850	Specifies the symbol set for each font name Notes: <ul style="list-style-type: none"> • 10U PC-8 is the US factory default setting. • 12U PC-850 is the international factory default setting. • A symbol set is a set of alphabetic and numeric characters, punctuation, and special symbols. Symbol sets support the different languages or specific programs such as math symbols for scientific text. Only the supported symbol sets are shown.
PCL Emulation Settings Point Size 1.00–1008.00	Changes the point size for scalable typographic fonts Notes: <ul style="list-style-type: none"> • 12 is the factory default setting. • Point Size refers to the height of the characters in the font. One point equals approximately 1/72 of an inch. • Point sizes can be increased or decreased in 0.25-point increments.
PCL Emulation Settings Pitch 0.08–100	Specifies the font pitch for scalable monospaced fonts Notes: <ul style="list-style-type: none"> • 10 is the factory default setting. • Pitch refers to the number of fixed-space characters per inch (cpi). • Pitch can be increased or decreased in 0.01-cpi increments. • For nonscalable monospaced fonts, the pitch appears on the display but cannot be changed.
PCL Emulation Settings Orientation Portrait Landscape	Specifies the orientation of text and graphics on the page Notes: <ul style="list-style-type: none"> • Portrait is the factory default setting. • Portrait prints text and graphics parallel to the short edge of the page. • Landscape prints text and graphics parallel to the long edge of the page.
PCL Emulation Settings Lines per Page 1–255	Specifies the number of lines that print on each page Notes: <ul style="list-style-type: none"> • 64 is the US factory default setting. 68 is the international default setting. • The printer sets the amount of space between each line based on the Lines per Page, Paper Size, and Orientation settings. Select the desired Paper Size and Orientation <i>before</i> setting Lines per Page.

Menu item	Description
PCL Emulation Settings A4 Width 198 mm 203 mm	Sets the printer to print on A4-size paper Notes: <ul style="list-style-type: none"> • 198 mm is the factory default setting. • The 203-mm setting sets the width of the page to allow the printing of eighty 10-pitch characters.
PCL Emulation Settings Auto CR after LF On Off	Specifies whether the printer automatically performs a carriage return after a line feed control command Note: Off is the factory default setting.
PCL Emulation Settings Auto LF after CR On Off	Specifies whether the printer automatically performs a line feed after a carriage return control command Note: Off is the factory default setting.
Tray Renumber Assign MP Feeder Off None 0–199 Assign Tray <x> Off None 0–199 Assign Manual Paper Off None 0–199 Assign Man Env Off None 0–199	Configures the printer to work with printer software or programs that use different source assignments for trays, drawers, and feeders Notes: <ul style="list-style-type: none"> • Off is the factory default setting. • None is not an available selection. It is only displayed when it is selected by the PCL 5 interpreter. • None ignores the Select Paper Feed command. • 0–199 allows a custom setting to be assigned.
Tray Renumber View Factory Def MPF Default = 8 T1 Default = 1 T2 Default = 4 T3 Default = 5 T4 Default = 20 T5 Default = 21 Env Default = 6 MPaper Default = 2 MEnv Default = 3	Displays the factory default setting assigned to each tray, drawer, or feeder, even if it has not been installed

Menu item	Description
Tray Renumber Restore Defaults Yes No	Returns all tray, drawer, and feeder assignments to the factory default settings

HTML menu

Menu item	Description
Font Name Intl CG Times Intl Courier Intl Univers Joanna MT Letter Gothic Lubalin Gothic Marigold MonaLisa Recut Monaco New CenturySbk New York Optima Oxford Palatino StempelGaramond Taffy Times TimesNewRoman Univers Zapf Chancery	Sets the default font for HTML documents Notes: <ul style="list-style-type: none"> The Times font will be used in HTML documents that do not specify a font. The following fonts appear only if the appropriate DBCS font card is installed: HG-GothicB, MSung-Light, MD_DotumChe, and MingMT-Light.

Menu item	Description
Font Size 1–255 pt	Sets the default font size for HTML documents Notes: <ul style="list-style-type: none"> 12 pt is the factory default setting. Font size can be increased in 1-point increments.
Scale 1–400%	Scales the default font for HTML documents Notes: <ul style="list-style-type: none"> 100% is the factory default setting. Scaling can be increased in 1% increments.

Menu item	Description
Orientation Portrait Landscape	Sets the page orientation for HTML documents Note: Portrait is the factory default setting.
Margin Size 8–255 mm	Sets the page margin for HTML documents Notes: <ul style="list-style-type: none"> • 19 mm is the factory default setting. • Margin size can be increased in 1-mm increments.
Backgrounds Do Not Print Print	Specifies whether to print backgrounds on HTML documents Note: Print is the factory default setting.

Image menu

Menu item	Description
Auto Fit On Off	Selects the optimal paper size, scaling, and orientation Notes: <ul style="list-style-type: none"> • On is the factory default setting. • The On setting overrides scaling and orientation settings for some images.
Invert On Off	Inverts bi-tonal monochrome images Notes: <ul style="list-style-type: none"> • Off is the factory default setting. • The font size can be increased in 1-point increments. • This setting does not apply to GIF or JPEG images.
Scaling Anchor Top Left Best Fit Anchor Center Fit Height/Width Fit Height Fit Width	Scales the image to fit the selected paper size Notes: <ul style="list-style-type: none"> • Best Fit is the factory default setting. • When Auto Fit is set to On, Scaling is automatically set to Best Fit.
Orientation Portrait Landscape Rev Portrait Rev Landscape	Sets the image orientation Note: Portrait is the factory default setting.

Flash Drive menu

Menu item	Description
Copies 1–999	Specifies a default number of copies for each print job Note: 1 is the factory default setting.
Paper Source Tray <x> MP Feeder Manual Paper Manual Env	Sets a default paper source for all print jobs Note: Tray 1 (standard tray) is the factory default setting.
Collate Off (1,1,1,2,2,2) On (1,2,1,2,1,2)	Stacks the pages of a print job in sequence when printing multiple copies Note: On is the factory default setting.
Sides (Duplex) 2 sided 1 sided	Controls whether the job prints on one side or both sides of the paper Note: One-sided is the factory default setting.
Staple Off Auto Front Back Dual	Specifies whether print jobs are stapled Note: Off is the factory default setting.
Hole Punch Off On	Specifies whether a hole punch is applied to print jobs Notes: <ul style="list-style-type: none"> • This menu item is available only when a finisher with Hole Punch is installed. • Off is the factory default setting.
Hole Punch Mode 2, 3 2, 4	Specifies the number of hole punches in print jobs Notes: <ul style="list-style-type: none"> • This menu item is available only when a finisher with Hole Punch is installed. • The values of 2 and 3 are displayed only when the 3 Hole Finisher, that can also be used for 2 holes, is installed. 3 is the factory default setting. • The values of 2 and 4 are displayed only when the 4 Hole Finisher, that can also be used for 2 holes, is installed. 4 is the factory default setting. • The 3 hole finisher allows the user to select 2 or 3 hole punch. • The 4 hole finisher allows the user to select 2 or 4 hole punch.

Menu item	Description
Duplex Binding Long Edge Short Edge	Defines the way duplexed pages are bound and how the printing on the back of the page is oriented in relation to the printing on the front of the page Notes: <ul style="list-style-type: none"> • Long Edge is the factory default setting. • Long Edge specifies that binding be placed on the left edge of portrait pages and the top edge of landscape pages. • Short Edge specifies that binding be placed on the top edge of portrait pages and the left edge of landscape pages.
Orientation Auto Long Edge Short Edge	Specifies the orientation of a multiple-page sheet Notes: <ul style="list-style-type: none"> • Auto is the factory default setting. The printer chooses between portrait and landscape. • Long Edge uses landscape. • Short Edge uses portrait.
N-up (pages-side) Off 2-Up 3-Up 4-Up 6-Up 9-Up 12-Up 16-Up	Specifies that multiple-page images be printed on one side of a sheet of paper Notes: <ul style="list-style-type: none"> • Off is the factory default setting. • The number selected is the number of page images that will print per side.
N-up Border None Solid	Prints a border around each page image when using N-up (pages-side) Note: None is the factory default setting.
N-up Ordering Horizontal Reverse Horizontal Reverse Vertical Vertical	Specifies the positioning of multiple-page images when using N-up (pages-side) Notes: <ul style="list-style-type: none"> • Horizontal is the factory default setting. • Positioning depends on the number of images and whether the images are in portrait or landscape orientation.

Menu item	Description
Separator Sheets None Between Copies Between Jobs Between Pages	Specifies whether blank separator sheets are inserted Notes: <ul style="list-style-type: none"> • None is the factory default setting. • Between Copies inserts a blank sheet between each copy of a print job if Collation is set to On. If Collation is set to Off, then a blank page is inserted between each set of printed pages, such as after all page 1's and after all page 2's. • Between Jobs inserts a blank sheet between print jobs. • Between Pages inserts a blank sheet between each page of the print job. This setting is useful when printing transparencies or inserting blank pages in a document for notes.
Separator Source Tray <x> Manual Feeder	Specifies the paper source for separator sheets Notes: <ul style="list-style-type: none"> • Tray 1 (standard tray) is the factory default setting. • From the Paper menu, Configure MP must be set to Cassette in order for Multi-Purpose Feeder to appear as a menu setting.
Blank Pages Do Not Print Print	Specifies whether blank pages are inserted in a print job Note: Do Not Print is the factory default setting.
Offset Pages None Between Copies Between Jobs	Stacks copies or print jobs into staggered sets in an output bin Notes: <ul style="list-style-type: none"> • None is the factory default setting. • Between Copies offsets each copy of a print job. • Between Jobs offsets each print job.

Help menu

The Help menu consists of a series of Help pages that are stored in the printer as PDFs. They contain information about using the printer and performing printing tasks.

English, French, German, and Spanish translations are stored in the printer. Other translations are available on the *Software and Documentation* CD.

Menu item	Description
Print All	Prints all the guides
Print Quality	Provides information about solving print quality issues
Printing Guide	Provides information about loading paper and other speciality media
Media Guide	Provides a list of the paper sizes supported in trays, drawers, and feeders
Print Defects	Provides information about resolving print defects
Menu Map	Provides a list of the printer control panel menus and settings

Menu item	Description
Information Guide	Provides help in locating additional information
Connection Guide	Provides information about connecting the printer locally (USB) or to a network
Moving Guide	Provides instructions for safely moving the printer
Supplies Guide	Provides part numbers for ordering supplies

Maintaining the printer

Cleaning the exterior of the printer

- 1 Make sure that the printer is turned off and unplugged from the wall outlet.



CAUTION—SHOCK HAZARD: To avoid the risk of electric shock when cleaning the exterior of the printer, unplug the power cord from the wall outlet and disconnect all cables to the printer before proceeding.

- 2 Remove paper from the standard exit bin.
- 3 Dampen a clean, lint-free cloth with water.

Warning—Potential Damage: Do not use household cleaners or detergents, as they may damage the finish of the printer.

- 4 Wipe only the outside of the printer, making sure to include the standard exit bin.

Warning—Potential Damage: Using a damp cloth to clean the interior may cause damage to your printer.

- 5 Make sure the paper support and standard exit bin are dry before beginning a new print job.

Storing supplies

Choose a cool, clean storage area for the printer supplies. Store supplies right side up in their original packing until you are ready to use them.

Do not expose supplies to:

- Direct sunlight
- Temperatures above 35°C (95°F)
- High humidity above 80%
- Salty air
- Corrosive gases
- Heavy dust

Conserving supplies



There are some settings you can change from the printer control panel that will help you conserve toner and paper. For more information, see “Supplies menu,” “Quality menu,” and “Finishing menu.”

If you need to print several copies, you can conserve supplies by printing the first copy and checking it for accuracy before printing the remaining copies.

Checking the status of supplies

A message appears on the display when a replacement supply item is needed or when maintenance is required.

Checking the status of supplies from the printer control panel

- 1 Make sure the printer is on and **Ready** appears.
- 2 From the printer control panel, press the up or down arrow button until **√Status/Supplies** appears, and then press .
- 3 Press the up or down arrow button until **√View supplies** appears, and then press .
The status of each supply appears.

Checking the status of supplies from a network computer

Note: The computer must be connected to the same network as the printer.

- 1 Type the printer IP address into the address field of your Web browser.
Note: If you do not know the IP address of the printer, print a network setup page and locate the IP address in the TCP/IP section.
- 2 Click **Device Status**. The Device Status page appears, displaying a summary of supply levels.

Ordering supplies

To order parts and supplies in the U.S., contact Lexmark at 1-800-539-6275 for information about Lexmark authorized supplies dealers in your area. In other countries or regions, visit the Lexmark Web site at www.lexmark.com or contact the place where you purchased the printer.

Note: All life estimates for printer supplies assume printing on letter- or A4-size plain paper.

Part numbers

Part name	Part number	For printer
Toner Cartridge	W850H21G	W850
Photoconductor Kit	W850H22G	W850
Maintenance kit (low voltage)	40X0956	W850
Maintenance kit (high voltage)	40X0957	W850
Maintenance kit (100 volt)	40X0958	W850
Staple Cartridge	25A0013	W850

Ordering a toner cartridge

When **88 Cartridge low** appears, order a new cartridge.

When **88 Replace Cartridge** appears, you *must* replace the cartridge.

Estimated cartridge yield is based on the ISO/IEC 19798 standard (with about 5% coverage per color). Extremely low print coverage (less than 1.25%) for extended periods of time may negatively affect actual yield and may cause cartridge parts to fail prior to exhaustion of toner.

Ordering a photoconductor kit

When **84 Replace photoconductor** or **84 Photoconductor low** appears, order a new photoconductor kit.

Ordering a maintenance kit

When **80 Routine maintenance needed** appears, order a maintenance kit. The maintenance kit contains all the items necessary to replace the pick rollers, transfer roller, and fuser.

Note: Using certain types of paper may require more frequent replacement of the maintenance kit. The pick rollers, transfer roller, and fuser can also be individually ordered and replaced as necessary.

Ordering staple cartridges

When **Staples Low** or **Staples Empty** appears, order the specified staple cartridge.

For more information, see the illustrations inside the stapler door.

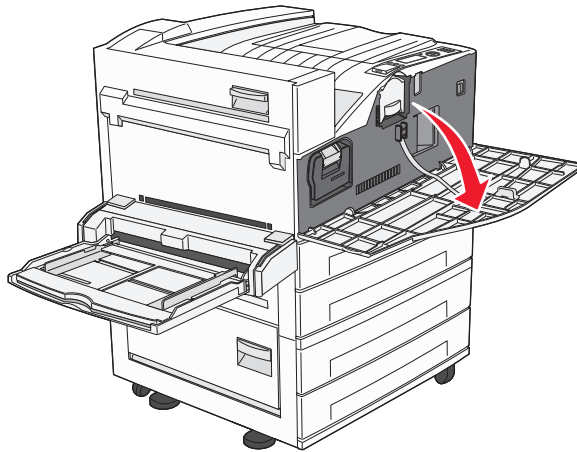
Part name	Part number
Staple Cartridges—3 pack	25A0013

Replacing supplies

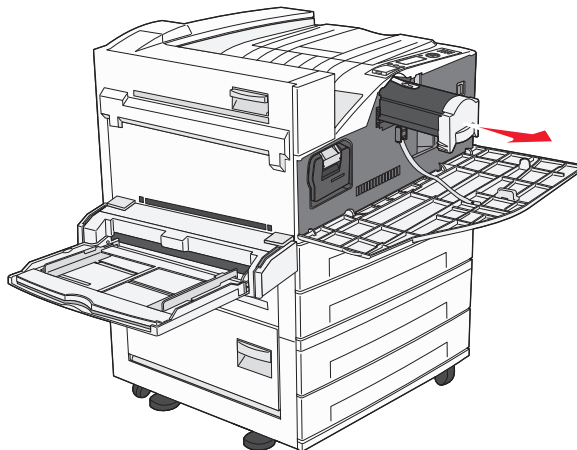
Replacing the toner cartridge

When **88 Cartridge low, 88.yy Replace cartridge**, or **88 Replace cartridge to continue** appears, or when print becomes faded:

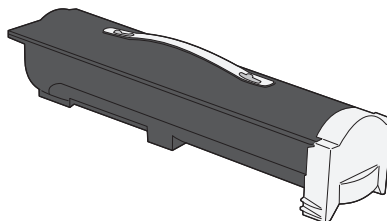
- 1 Turn the printer off.
- 2 Open the front door.



- 3 Grasp the handle and pull out the cartridge.

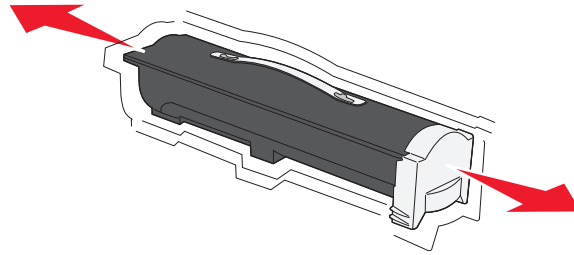


- 4 Unpack a new cartridge.

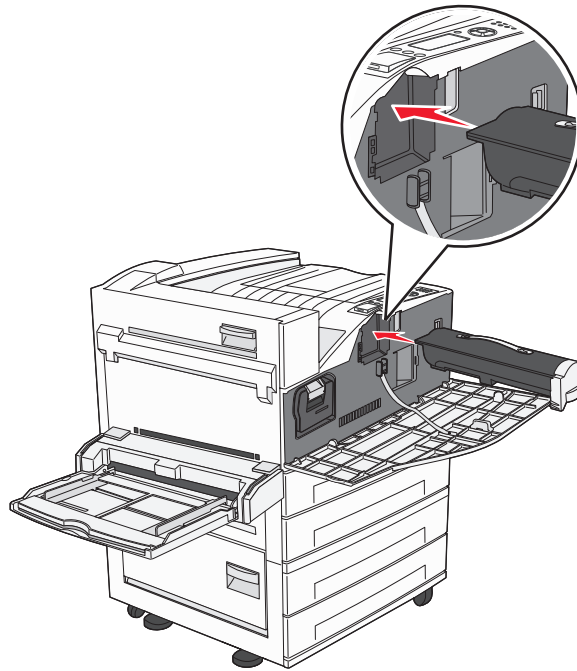


Warning—Potential Damage: When replacing a toner cartridge, do not leave the new cartridge exposed to direct light for an extended period of time. Extended light exposure can cause print quality problems.

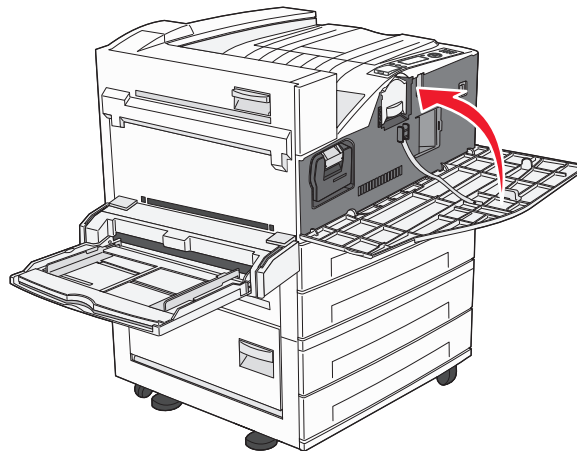
- 5 Firmly shake the cartridge side-to-side several times to redistribute the toner.



- 6 Insert the new cartridge into the printer. Push the toner cartridge in as far as it will go. The cartridge *clicks* into place when correctly installed.



- 7 Close the front door.

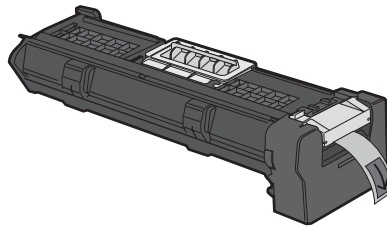


Replacing the photoconductor

You can determine approximately how full the photoconductor is by printing the printer settings configuration sheet. This helps you decide when you might need to order replacement supplies.

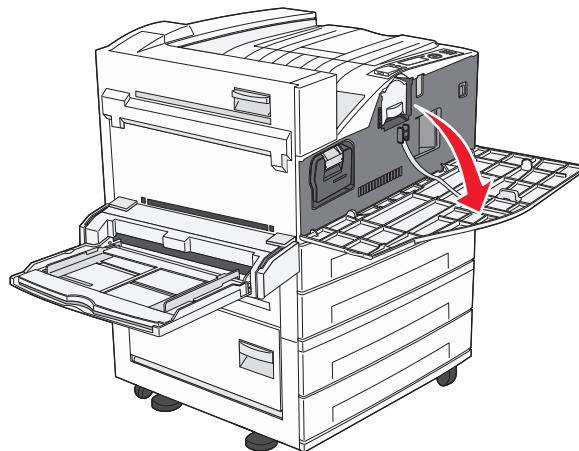
To ensure print quality and to avoid damage to the printer, the printer stops operating after the photoconductor has reached a maximum of 60,000 pages. The printer automatically notifies you before the photoconductor reaches this point.

When **84 Replace photoconductor** or **84 Photoconductor low** appears, order a new photoconductor immediately. While the printer may continue to function properly after the photoconductor has reached its official end-of-life, print quality significantly decreases.



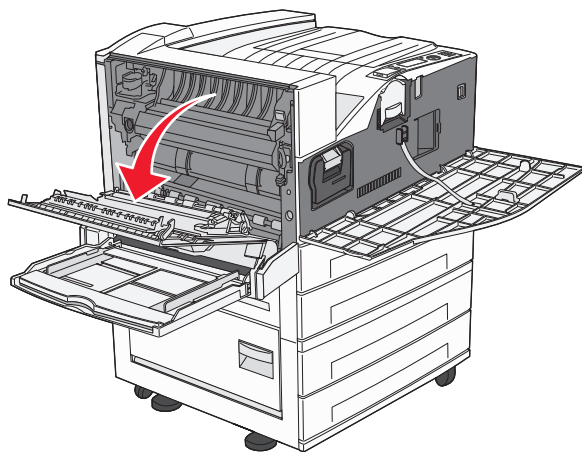
To replace the photoconductor:

- 1 Turn the printer off.
- 2 Open the front door.

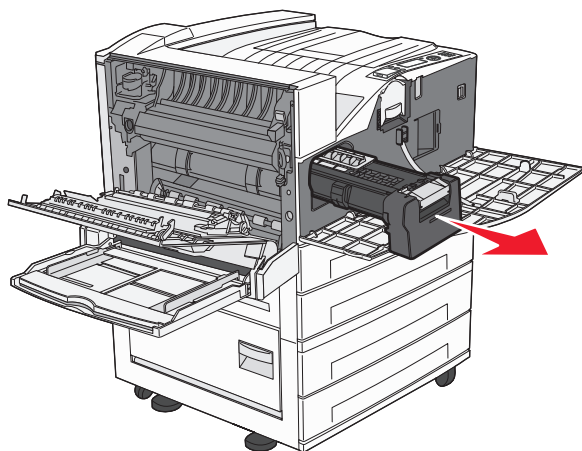


Note: The photoconductor cannot be pulled out if Side Door A is closed.

3 Lower Side Door A.

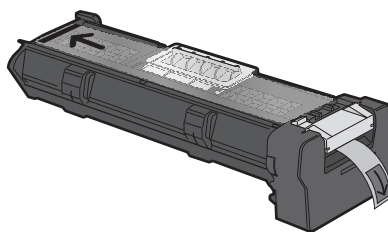


4 Pull the photoconductor out of the printer.

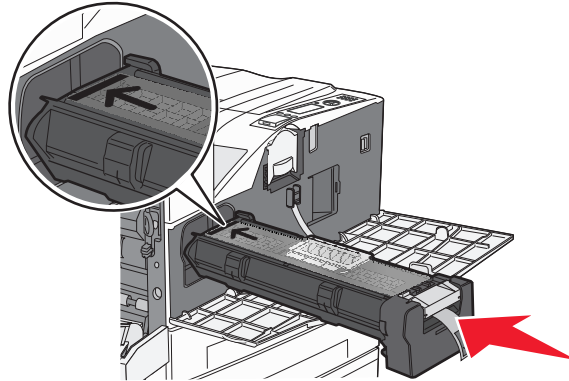


Place the photoconductor on a flat, clean surface.

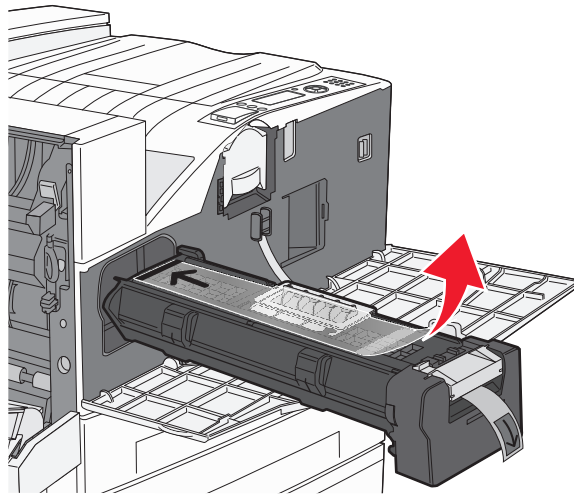
5 Unpack the new photoconductor.



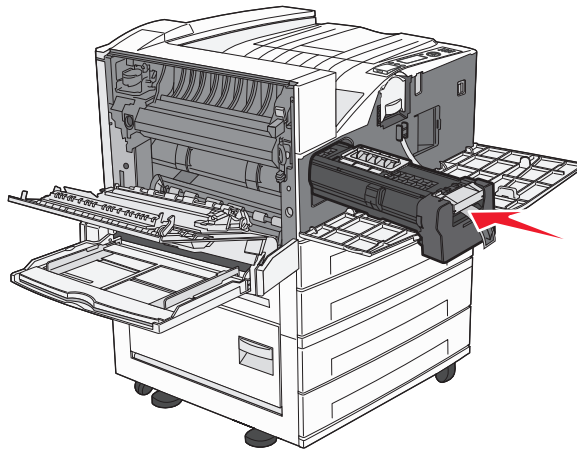
6 Align and insert the end of the photoconductor.



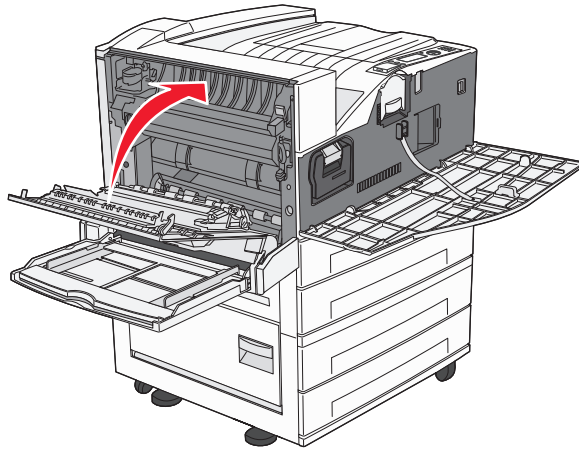
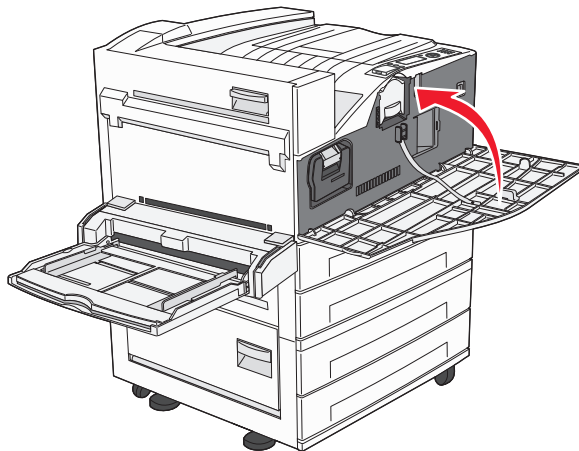
7 Remove the tape from the top of the photoconductor.



8 Push the photoconductor as far as it will go.



The photoconductor clicks into place when correctly installed.

9 Close Side Door A.**10** Close the front door.

Note: After you insert the photoconductor and close all the doors, the printer performs a motor cycle and clears the Replace Photoconductor warnings.

The printer returns to the **Ready** state.

Moving the printer

Before moving the printer

⚠ CAUTION—POTENTIAL INJURY: The printer weight is greater than 18 kg (40 lb) and requires two or more trained personnel to lift it safely.

⚠ CAUTION—POTENTIAL INJURY: Before moving the printer, follow these guidelines to avoid personal injury or printer damage:

- Turn the printer off using the power switch, and then unplug the power cord from the wall outlet.
- Disconnect all cords and cables from the printer before moving it.

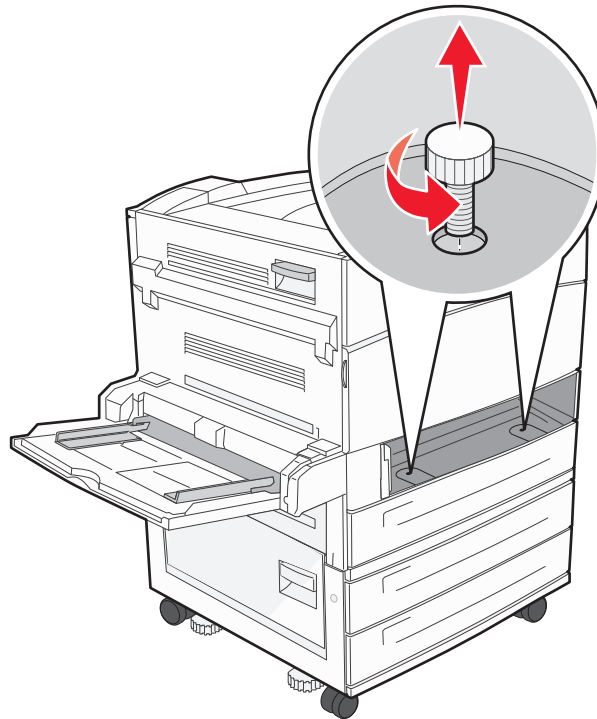
- Lift the printer off of the optional drawer and set it aside instead of trying to lift the drawer and printer at the same time.

Note: Use the handholds located on both sides of the printer to lift it off the optional drawer.

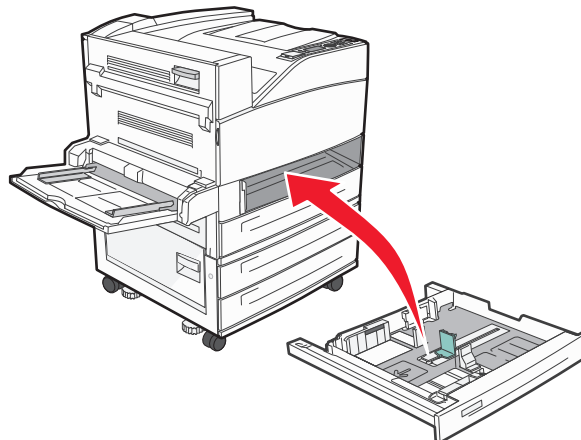
Warning—Potential Damage: Damage to the printer caused by improper moving is not covered by the printer warranty.

Removing the optional trays

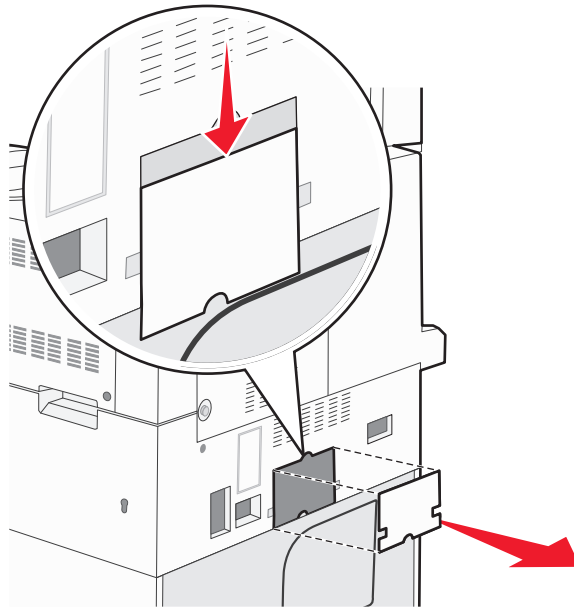
- 1 Remove the tray.
- 2 Remove the two thumbscrews and set them aside.



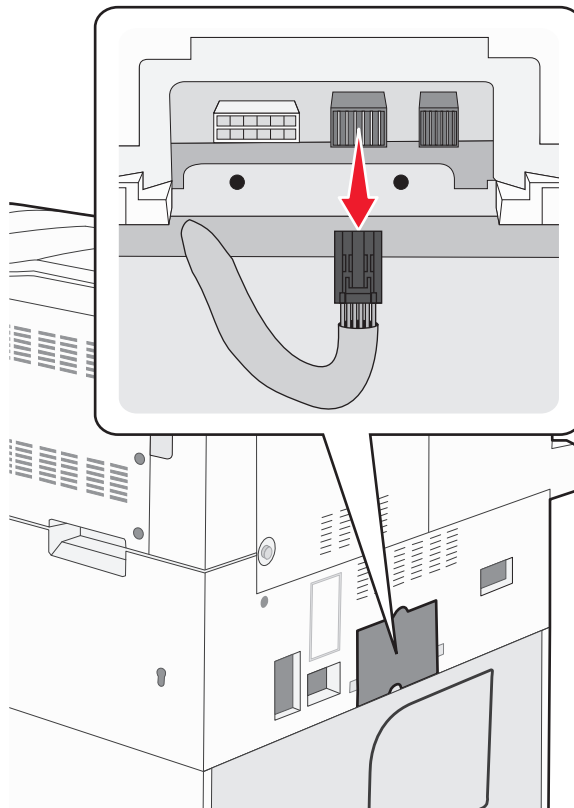
- 3 Insert the tray into the printer.

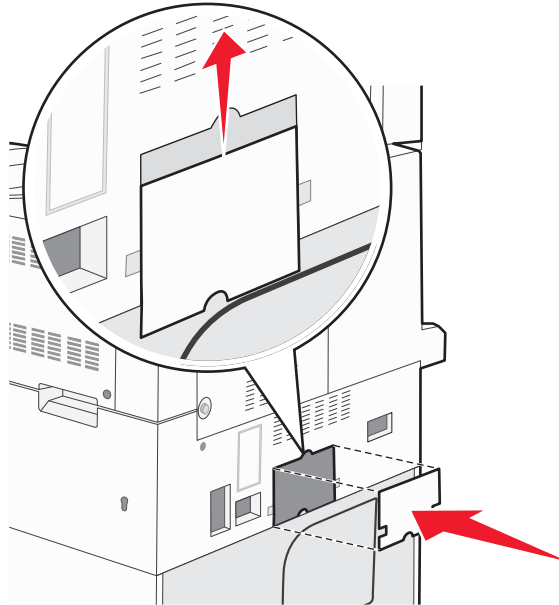


4 Remove the cable cover.



5 Disconnect the optional drawer connector.



6 Attach the cable cover.**7** Lift the printer off the trays.

Moving the printer to another location

The printer and options can be safely moved to another location by following these precautions:

- Any cart used to move the printer must have a surface able to support the full footprint of the printer. Any cart used to move the options must have a surface able to support the dimensions of the options.
- Keep the printer in an upright position.
- Avoid severe jarring movements.

Shipping the printer

When shipping the printer, use the original packaging or call the place of purchase for a relocation kit.

Administrative support

Finding advanced networking and administrator information

This chapter covers basic administrative support tasks. For more advanced system support tasks, see the *Networking Guide* on the *Software and Documentation* CD and the *Embedded Web Server Administrator's Guide* on the Lexmark Web site at www.lexmark.com.

Using the Embedded Web Server

If the printer is installed on a network, the Embedded Web Server is available for a range of functions including:

- Viewing a virtual display of the printer control panel
- Checking the status of the printer supplies
- Configuring printer settings
- Configuring network settings
- Viewing reports

To access the Embedded Web Server, type the printer IP address into the address field of your Web browser.

Notes:

- If you do not know the IP address of the printer, then print a network setup page and locate the IP address in the TCP/IP section.
- For more information, see the *Networking Guide* on the *Software and Documentation* CD and the *Embedded Web Server Administrator's Guide* on the Lexmark Web site at www.lexmark.com.

Checking the virtual display

When the Embedded Web Server is open, a virtual display appears in the top left corner of the screen. It works as an actual display would work on a printer control panel, showing printer messages.

To access the Embedded Web Server, type the printer IP address into the address field of your Web browser.

Note: If you do not know the IP address of the printer, then print a network setup page and locate the IP address in the TCP/IP section.

The virtual display appears in the top left corner of the screen.

Checking the device status

Using the Embedded Web Server, you can view paper tray settings, the level of toner in the print cartridge, the percentage of life remaining in the maintenance kit, and capacity measurements of certain printer parts. To view the device status:

- 1 Type the printer IP address in the address field of your Web browser.

Note: If you do not know the IP address of the printer, then print a network setup page and locate the IP address in the TCP/IP section.

- 2 Click **Device Status**.

Setting up e-mail alerts

You can have the printer send you an e-mail when the supplies are getting low or when the paper needs to be changed, added, or unjammed.

To set up e-mail alerts:

- 1 Type the printer IP address into the address field of your Web browser.

Note: If you do not know the IP address of the printer, then print a network setup page and locate the IP address in the TCP/IP section.

- 2 Click **Settings**.

- 3 Under Other Settings, click **E-mail Alert Setup**.

- 4 Select the items for notification, and type in the e-mail addresses.

- 5 Click **Submit**.

Note: See your system support person to set up the e-mail server.

Viewing reports

You can view some reports from the Embedded Web Server. These reports are useful for assessing the status of the printer, the network, and supplies.

To view reports from a network printer:

- 1 Type the printer IP address into the address field of your Web browser.






Note: If you do not know the IP address of the printer, then print a network setup page and locate the IP address in the TCP/IP section.

- 2 Click **Reports**, and then click the type of report you want to view.

Restoring the factory default settings

If you want to retain a list of the current menu settings for reference, then print a menu settings page before you restore the factory default settings. For more information, see “Printing a menu settings page” on page 27.

Warning—Potential Damage: Restoring factory defaults returns most printer settings to the original factory default setting. Exceptions include the display language, custom sizes and messages, and Network/Port menu settings. All downloads stored in RAM are deleted. Downloads stored in flash memory or on a printer hard disk are not affected.

- 1 From the printer control panel, press .
 - 2 Press the up or down arrow button until **√Settings** appears, and then press .
 - 3 Press the up or down arrow button until **√General Settings** appears, and then press .
 - 4 Press the up or down arrow button until **√Factory Defaults** appears, and then press .
 - 5 Press the up or down arrow button until **√Restore Now** appears, and then press .
- Restoring Factory Defaults** appears.

Troubleshooting

Solving basic problems

Solving basic printer problems

If there are basic printer problems, or the printer is unresponsive, make sure:

- The power cord is plugged into the printer and a properly grounded electrical outlet.
- The electrical outlet is not turned off by any switch or breaker.
- The printer is not plugged into any surge protectors, uninterrupted power supplies, or extension cords.
- Other electronic equipment plugged into the outlet is working.
- The printer is turned on. Check the printer power switch.
- The printer cable is securely attached to the printer and the host computer, print server, option, or other network device.
- All options are properly installed.
- The printer driver settings are correct.

Once you have checked each of these possibilities, turn the printer off, wait for about 10 seconds, and then turn the printer back on. This often fixes the problem.

Embedded Web Server does not open

These are possible solutions. Try one or more of the following:

CHECK THE NETWORK CONNECTIONS

Make sure the printer and computer are turned on and connected to the same network.

CHECK THE NETWORK SETTINGS

Depending on the network settings, you may need to type `https://` instead of `http://` before the printer IP address to access the Embedded Web Server. For more information, see your system administrator.

Understanding printer messages





An error has occurred with the Flash Drive. Please remove and re-insert the drive.

Try one or more of the following:

- Remove and reinsert the flash drive.
- If the error message remains, the flash memory may be defective and require replacing.





Change <input src> to <Custom Type Name>

You can change the current paper source for the remainder of the print job. The formatted page will print on the paper loaded in the selected tray. This may cause clipping of text or images. Try one or more of the following:

- To select the paper tray with the correct paper size or type, press the up or down arrow button until **√Paper Changed, Continue** appears, and then press .
- To ignore the message and print from the tray selected for the print job, press the up or down arrow button until **√Use Current <Src>** appears, and then press .
- To cancel the current print job, press the up or down arrow button until **√Cancel job** appears, and then press .
- For more information, press the up or down arrow button until **√Show me** or **√Tell me more** appears, and then press .





Change <input src> to <Custom Type Name> load <orientation>

You can change the current paper source for the remainder of the print job. The formatted page will print on the paper loaded in the selected tray. This may cause clipping of text or images. Try one or more of the following:

- To select the paper tray with the correct paper size or type, press the up or down arrow button until **√Paper Changed, Continue** appears, and then press .
- To ignore the message and print from the tray selected for the print job, press the up or down arrow button until **√Use Current <Src>** appears, and then press .
- To cancel the current print job, press the up or down arrow button until **√Cancel job** appears, and then press .
- For more information, press the up or down arrow button until **√Show me** or **√Tell me more** appears, and then press .





Change <input src> to <Custom String>

You can change the current paper source for the remainder of the print job. The formatted page will print on the paper loaded in the selected tray. This may cause clipping of text or images. Try one or more of the following:

- To select the paper tray with the correct paper size or type, press the up or down arrow button until **√Paper Changed, Continue** appears, and then press .
- To ignore the message and print from the tray selected for the print job, press the up or down arrow button until **√Use Current <Src>** appears, and then press .
- To cancel the current print job, press the up or down arrow button until **√Cancel job** appears, and then press .
- For more information, press the up or down arrow button until **√Show me** or **√Tell me more** appears, and then press .





Change <input src> to <Custom String> load <orientation>

You can change the current paper source for the remainder of the print job. The formatted page will print on the paper loaded in the selected tray. This may cause clipping of text or images. Try one or more of the following:

- To select the paper tray with the correct paper size or type, press the up or down arrow button until **√Paper Changed, Continue** appears, and then press .
- To ignore the message and print from the tray selected for the print job, press the up or down arrow button until **√Use Current <Src>** appears, and then press .
- To cancel the current print job, press the up or down arrow button until **√Cancel job** appears, and then press .
- For more information, press the up or down arrow button until **√Show me** or **√Tell me more** appears, and then press .





Change <input src> to <size>

You can change the current paper source for the remainder of the print job. The formatted page will print on the paper loaded in the selected tray. This may cause clipping of text or images. Try one or more of the following:

- To select the paper tray with the correct paper size or type, press the up or down arrow button until **√Paper Changed, Continue** appears, and then press .
- To ignore the message and print from the tray selected for the print job, press the up or down arrow button until **√Use Current <Src>** appears, and then press .
- To cancel the current print job, press the up or down arrow button until **√Cancel job** appears, and then press .
- For more information, press the up or down arrow button until **√Show me** or **√Tell me more** appears, and then press .





Change <input src> to <size> load <orientation>

You can change the current paper source for the remainder of the print job. The formatted page will print on the paper loaded in the selected tray. This may cause clipping of text or images. Try one or more of the following:

- To select the paper tray with the correct paper size or type, press the up or down arrow button until **√Paper Changed, Continue** appears, and then press .
- To ignore the message and print from the tray selected for the print job, press the up or down arrow button until **√Use Current <Src>** appears, and then press .
- To cancel the current print job, press the up or down arrow button until **√Cancel job** appears, and then press .
- For more information, press the up or down arrow button until **√Show me** or **√Tell me more** appears, and then press .





Change <input src> to <type> <size>

You can change the current paper source for the remainder of the print job. The formatted page will print on the paper loaded in the selected tray. This may cause clipping of text or images. Try one or more of the following:

- To select the paper tray with the correct paper size or type, press the up or down arrow button until **√Paper Changed, Continue** appears, and then press .
- To ignore the message and print from the tray selected for the print job, press the up or down arrow button until **√Use Current <Src>** appears, and then press .
- To cancel the current print job, press the up or down arrow button until **√Cancel job** appears, and then press .
- For more information, press the up or down arrow button until **√Show me** or **√Tell me more** appears, and then press .

Change <input src> to <type> <size> load <orientation>


You can change the current paper source for the remainder of the print job. The formatted page will print on the paper loaded in the selected tray. This may cause clipping of text or images. Try one or more of the following:

- To select the paper tray with the correct paper size or type, press the up or down arrow button until **√Paper Changed, Continue** appears, and then press .
- To ignore the message and print from the tray selected for the print job, press the up or down arrow button until **√Use Current <Src>** appears, and then press .
- To cancel the current print job, press the up or down arrow button until **√Cancel job** appears, and then press .
- For more information, press the up or down arrow button until **√Show me** or **√Tell me more** appears, and then press .

Check <input src> guides

The <input src> refers to the multipurpose feeder. The printer cannot determine the size of the paper.

Try one or more of the following:


- Readjust the paper guides.
Note: To learn how to adjust the paper guides, press the up or down arrow button until **Show Me** appears, and then press .
- Check the tray configuration.

Check <input src> orientation or guides

The printer does not know the actual paper size that is loaded in a tray due to an incorrect paper orientation setting, or because tray guides are not in the proper location.

Try one or more of the following:

- Move the guides in the tray to the correct positions for the paper size loaded.

Note: To learn how to adjust the paper guides, press the up or down arrow button until **Show Me** appears, and then press .

- Make sure the paper size setting matches the paper loaded in the tray:
 - 1 From the printer control panel Paper menu, check the Paper Size setting.
 - 2 Before sending the job to print, specify the correct size setting:
 - For Windows users, specify the size from Print Properties.
 - For Macintosh users, specify the size from the Page Setup dialog.

Close door <x>

Close the specified door.


Close cover <x>

Close the specified cover to clear the message.

Close surface H

Close the specified cover to clear the message.


Disk Corrupted

The printer attempted to recover a disk, but was not able to do so. **Format Disk** appears. Press  to reformat the disk.


Note: Reformatting the disk deletes all the files currently stored on the disk.

Empty hole punch box

Empty the hole punch box, and then reinsert it into the finisher. Wait for the message to clear.

Note: To learn how to empty the hole punch box, press the up or down arrow button until **✓Show Me** appears, and then press .

Some held jobs were not restored


Press the up or down arrow button until **✓Continue** appears, and then press  to clear the message.

Insert tray <x>

Insert the specified tray into the printer.


Insert the hole punch box

Insert the hole punch box into the finisher. Wait for the message to clear.

Note: To learn how to insert the hole punch box, press the up or down arrow button until **√Show Me** appears, and then press .


Load <input src> with <Custom Type Name>

Try one or more of the following:

- Load the specified paper into the specified source to clear the message and continue printing.
- Cancel the print job. Press the up or down arrow button until **√Cancel job** appears, and then press .


Load <input src> with <Custom String>

Try one or more of the following:

- Load the specified paper into the specified source to clear the message and continue printing.
- Cancel the print job. Press the up or down arrow button until **√Cancel job** appears, then press .


Load <input src> with <size>

Try one or more of the following:

- Load the specified paper into the specified source to clear the message and continue printing.
- Cancel the print job. Press the up or down arrow button until **√Cancel job** appears, then press .


Load <input src> with <type> <size>

Try one or more of the following:

- Load the specified paper into the specified source to clear the message and continue printing.
- Cancel the print job. Press the up or down arrow button until **√Cancel job** appears, and then press .


Load Manual Feeder with <Custom Type Name>

Try one or more of the following:

- Load the multipurpose feeder with the correct paper type and size.
If the printer finds a tray that has paper of the correct type, it uses the paper from that tray. If the printer cannot find a tray with the correct paper type, it prints on the paper that is loaded in the default paper source.
- Press the up or down arrow button until **√Cancel job** appears, and then press  to cancel the print job.

Load Manual Feeder with <Custom String>

Try one or more of the following:


- Load the multipurpose feeder with the correct paper type and size.
- Ignore the request and print on paper that is already being used in one of the trays. Press the up or down arrow button until **√Automatically select paper** appears, and then press .

If the printer finds a tray that has paper of the correct type, it uses the paper from that tray. If the printer cannot find a tray with the correct paper type, it prints on the paper that is installed in the default paper source.

- Cancel the print job. Press the up or down arrow button until **√Cancel job** appears, and then press .

Load Manual Feeder with <size>

Try one or more of the following:


- Load the multipurpose feeder with the correct paper size.
If there is no paper in the multipurpose feeder, then feed a sheet of paper to clear the message.
- Ignore the request and print on paper that is already being used in one of the input sources. Press the up or down arrow button until **√Automatically select** appears, and then press .

If the printer finds a source that has paper of the correct type, it uses the paper from that source. If the printer cannot find a source with the correct paper type, it prints on the paper that is installed in the default paper source.

- Cancel the print job. Press the up or down arrow button until **√Cancel job** appears, and then press .

Load Manual Feeder with <type> <size>

Try one or more of the following:



- Load the correct paper type and size in the multipurpose feeder.
- Ignore the request and print on paper that is already being used in one of the input sources. Press the up or down arrow button until **√Automatically select** appears, and then press . The current job may not print correctly.

If the printer finds a source that has paper of the correct type, it uses the paper from that source. If the printer cannot find a source with the correct paper type, it prints on the paper that is installed in the default paper source.

- Cancel the print job. Press the up or down arrow button until **√Cancel job** appears, and then press .

Load staples

Try one or more of the following:


- Replace the specified staple cartridge in the finisher.
- Press the up or down arrow button until **√Continue** appears, and then press  to clear the message and continue printing.
- Cancel the print job. Press the up or down arrow button until **√Cancel job** appears, and then press .

Remove paper from standard output bin

Remove the stack of paper from the standard exit bin.

Remove paper from bin <x>

Remove the paper from the specified bin. The printer automatically senses paper removal and resumes printing.


If removing the paper does not clear the message, then press the up or down arrow button until **✓Continue** appears, and then press .

Remove paper from all bins

Output bins have reached their capacity. Remove paper from all output bins to clear the message and continue printing.



Remove paper from <linked set bin name>

Remove the paper from the specified bin. The printer automatically senses paper removal and resumes printing.

If removing the paper does not clear the message, then press the up or down arrow button until **✓Continue** appears, and then press  to clear the message.

Restore Held Jobs?

Try one of the following:

- Press the up or down arrow button until **✓Restore** appears, and then press  to restore all held jobs stored on the printer hard disk.
- Press the up or down arrow button until **✓Do not restore** appears, and then press . No print jobs will be restored.

Unsupported finisher, please remove

Remove the unrecognized finisher.

30 Invalid refill, change cartridge

Remove the print cartridge, and then install a supported one.

31.yy Replace defective or missing cartridge

The toner cartridge is either missing or not functioning properly.

Try one or more of the following:



- Remove the toner cartridge, and then reinstall it.
- Remove the toner cartridge, and then install a new one.

32 Cartridge part number unsupported by device

Remove the print cartridge, and then install a supported one.


34 Short paper

Try one or more of the following:

- Load the appropriate paper in the tray.
- Press the up or down arrow button until **✓Continue** appears, and then press  to clear the message and print the job using a different paper tray.
- Check tray length and width guides and make sure the paper is properly loaded in the tray.
- For Windows users, check the Print Properties settings to make sure the print job is requesting the correct paper size and type.
For Macintosh users, check the Print dialog settings to make sure the print job is requesting the correct paper size and type.
- Check that the paper size is correctly set. For example, if the MP Feeder Size is set to Universal, make sure the paper is large enough for the data being printed.
- Cancel the current print job. Press the up or down arrow button until **✓Cancel job** appears, and then press .


34 Incorrect media, check <input src> guides

Try one or more of the following:

- Load the appropriate paper or other specialty media in the tray.
- Press the up or down arrow button until **✓Continue** appears, and then press  to clear the message and print the job using a different tray.



35 Insufficient memory to support Resource Save feature

Try one or more of the following:

- Press the up or down arrow button until **✓Continue** appears, and then press  to disable Resource Save and continue printing.
- To enable Resource Save after receiving this message, make sure the link buffers are set to Auto, and then exit the menus to activate the link buffer changes. When **Ready** appears, enable Resource Save.
- Install additional memory.


37 Insufficient memory to collate job

Try one or more of the following:

- Press the up or down arrow button until **✓Continue** appears, and then press  to print the portion of the job already stored and begin collating the rest of the print job.
- Cancel the current print job. Press the up or down arrow button until **✓Cancel job** appears, and then press .


37 Insufficient memory for Flash Memory Defragment operation

Try one or more of the following:

- Press the up or down arrow button until **✓Continue** appears, and then press  to stop the defragment process and continue printing.
- Delete fonts, macros, and other data in printer memory.
- Install additional printer memory.


37 Insufficient memory, some held jobs were deleted

The printer deleted some held jobs in order to process current jobs.

Press the up or down arrow button until **✓Continue** appears, and then press  to clear the message.



37 Insufficient memory, some held jobs will not be restored

The printer was unable to restore some or all of the confidential or held jobs on the printer hard disk.

Press the up or down arrow button until **✓Continue** appears, and then press  to clear the message.



38 Memory full

Try one or more of the following:

- Press the up or down arrow button until **✓Continue** appears, and then press  to clear the message.
- Cancel the current print job. Press the up or down arrow button until **✓Cancel job** appears, and then press .
- Install additional printer memory.



39 Complex page, some data may not have printed

Try one or more of the following:

- Press the up or down arrow button until **✓Continue** appears, and then press  to clear the message and continue printing.
- Cancel the current print job. Press the up or down arrow button until **✓Cancel job** appears, and then press .
- Install additional printer memory.



50 PPDS font error

Try one or more of the following:

- Press the up or down arrow button until **✓Continue** appears, and then press  to clear the message and continue printing.
- The printer cannot find a requested font. From the PPDS menu, select **Best Fit**, and then select **On**. The printer will find a similar font and reformat the affected text.
- Cancel the current print job. Press the up or down arrow button until **✓Cancel job** appears, and then press .


51 Defective flash detected

Try one or more of the following:

- Press the up or down arrow button until **✓Continue** appears, and then press  to clear the message and continue printing.
- Cancel the current print job. Press the up or down arrow button until **✓Cancel job** appears, and then press .


52 Not enough free space in flash memory for resources

Try one or more of the following:

- Press the up or down arrow button until **✓Continue** appears, and then press  to stop the defragment operation and continue printing.
Downloaded fonts and macros not previously stored in flash memory are deleted.
- Delete fonts, macros, and other data stored in flash memory.
- Upgrade to a larger capacity flash memory card.

53 Unformatted flash detected


Try one or more of the following:

- Press the up or down arrow button until **✓Continue** appears, and then press  to stop the defragment operation and continue printing.
- Format the flash memory. If the error message remains, the flash memory may be defective and require replacing.

54 Serial option <x> error


<x> is the number of the serial option.

Try one or more of the following:

- Check that the serial cable is connected correctly and is the proper one for the serial port.
- Check that the serial interface parameters (protocol, baud, parity, and data bits) are set correctly on the printer and host computer.
- Press the up or down arrow button until **✓Continue** appears, and then press  to continue printing.
- Turn the printer off and then back on to reset the printer.

54 Network <x> software error

Try one or more of the following:

- Press the up or down arrow button until **✓Continue** appears, and then press  to continue printing.
- Turn the printer off and then back on to reset the printer.
- Upgrade (flash) the network firmware in the printer or print server.

55 Unsupported option in slot <x>

<x> is a slot on the printer system board.


Try one or more of the following:

- 1 Turn the printer power off.
- 2 Unplug the power cord from the wall outlet.
- 3 Remove the unsupported option card from the printer system board.
- 4 Connect the power cord to a properly grounded outlet.
- 5 Turn the printer power back on.

56 Parallel port <x> disabled

<x> is the number of the parallel port.


Try one or more of the following:

- Press the up or down arrow button until **✓Continue** appears, and then press  to clear the message.
The printer discards any data received through the parallel port.
- Make sure the Parallel Buffer menu item is not set to Disabled.

56 Serial port <x> disabled


<x> is the number of the serial port.

Try one or more of the following:

- Press the up or down arrow button until **✓Continue** appears, and then press  to clear the message.
The printer discards any data received through the serial port.
- Make sure the Serial Buffer menu item is not set to Disabled.


56 Standard USB port disabled

Try one or more of the following:

- Press the up or down arrow button until **✓Continue** appears, and then press  to clear the message.
The printer discards any data received through the USB port.
- Make sure the USB Buffer menu item is not set to Disabled.


56 Standard parallel port disabled

Try one or more of the following:

- Press the up or down arrow button until **✓Continue** appears, and then press  to clear the message.
The printer discards any data received through the parallel port.
- Make sure the Parallel Buffer menu item is not set to Disabled.

56 USB port <x> disabled


Try one or more of the following:

- Press the up or down arrow button until **✓Continue** appears, and then press  to clear the message.
The printer discards any data received through the USB port.
- Make sure the USB Buffer menu item is not set to Disabled.

57 Configuration change, some held jobs were not restored

Since the time the jobs were stored on the printer hard disk, something changed in the printer to invalidate the held jobs. Possible changes include:

- The printer firmware was updated.
- Paper input, output, or duplex options needed for the print job were removed.
- The print job was created using data from a device in the USB port, and the device is no longer in the port.
- The printer hard disk contains jobs that were stored while installed in a different printer model.

Press the up or down arrow button until **✓Continue** appears, and then press  to clear the message.


58 Too many disks installed

- 1 Turn the printer off.
- 2 Unplug the power cord from the wall outlet.
- 3 Remove the extra disks.
- 4 Connect the power cord to a properly grounded outlet.
- 5 Turn the printer back on.

58 Too many flash options installed

Too many optional flash memory cards or too many optional firmware cards are installed on the printer.

Try one or more of the following:


- Press the up or down arrow button until **✓Continue** appears, and then press  to clear the message and continue printing.
- Remove extra flash options:
 - 1 Turn the printer off.
 - 2 Unplug the power cord from the wall outlet.
 - 3 Remove extra flash options.
 - 4 Connect the power cord to a properly grounded outlet.
 - 5 Turn the printer back on.

61 Defective disk

Install a different hard disk before performing any operations that require a hard disk.


62 Disk full

Try one or more of the following:

- Press the up or down arrow button until **✓Continue** appears, and then press  to clear the message and continue processing.
- Delete fonts, macros, and other data stored on the printer hard disk.
- Install a larger printer hard disk.

63 Unformatted disk

Try one or more of the following:

- Press the up or down arrow button until **✓Format Disk** appears, and then press  to clear the message and continue printing.
- Format the disk.

If the error message remains, the hard disk may be defective and require replacing.


80 Routine maintenance needed

The printer needs to have routine maintenance done. Order a maintenance kit, which contains all the items necessary to replace the pick rollers, the charge roll, the transfer roller, and the fuser.

84 Insert photoconductor

Install the specified photoconductor to clear the message.

84 Photoconductor low

- 1 Press the up or down arrow button until **✓Continue** appears, and then press .
- 2 Order a replacement photoconductor immediately. When print quality is reduced, install the new photoconductor.

84 Replace photoconductor

The printer will not print any more pages until the photoconductor is replaced.

Replace the specified photoconductor.

84 Photoconductor abnormal


An unacceptable photoconductor has been installed in the device. Replace the photoconductor.

88 Cartridge low

The toner is low. Replace the print cartridge, and then touch **Continue** to clear the message and continue printing.

88.yy Replace cartridge

The toner cartridge is exhausted.

- 1 Replace the toner cartridge.
- 2 Press the up or down arrow button until **✓Continue** appears, and then press  to clear the message.

88 Replace cartridge to continue

Replace the toner cartridge.

1565 Emulation error, load emulation option

The printer automatically clears the message in 30 seconds and then disables the download emulator on the firmware card.

To fix this, download the correct download emulator version from the Lexmark Web site at www.lexmark.com.

Clearing jams

Jam error messages appear on the printer control panel display and include the area of the printer where the jam occurred. When there is more than one jam, the number of jammed pages is displayed.

Avoiding jams

The following hints can help you avoid jams:

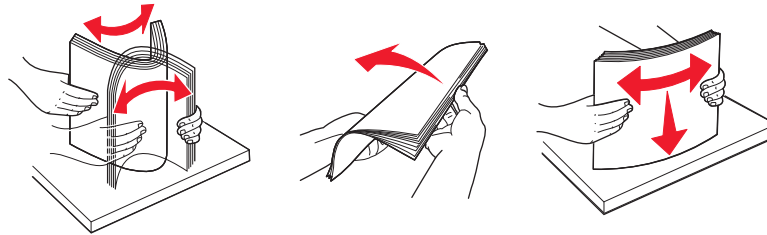
Paper tray recommendations

- Make sure the paper lies flat in the tray.
- Do not remove a tray while the printer is printing.
- Do not load a tray while the printer is printing. Load it prior to printing, or wait for a prompt to load it.
- Do not load too much paper. Make sure the stack height does not exceed the indicated maximum height.
- Make sure the guides in the tray or the multipurpose feeder are properly positioned and are not pressing too tightly against the paper or envelopes.
- Push the tray in firmly after loading paper.

Paper recommendations

- Use only recommended paper or specialty media.
- Do not load wrinkled, creased, damp, bent, or curled paper.

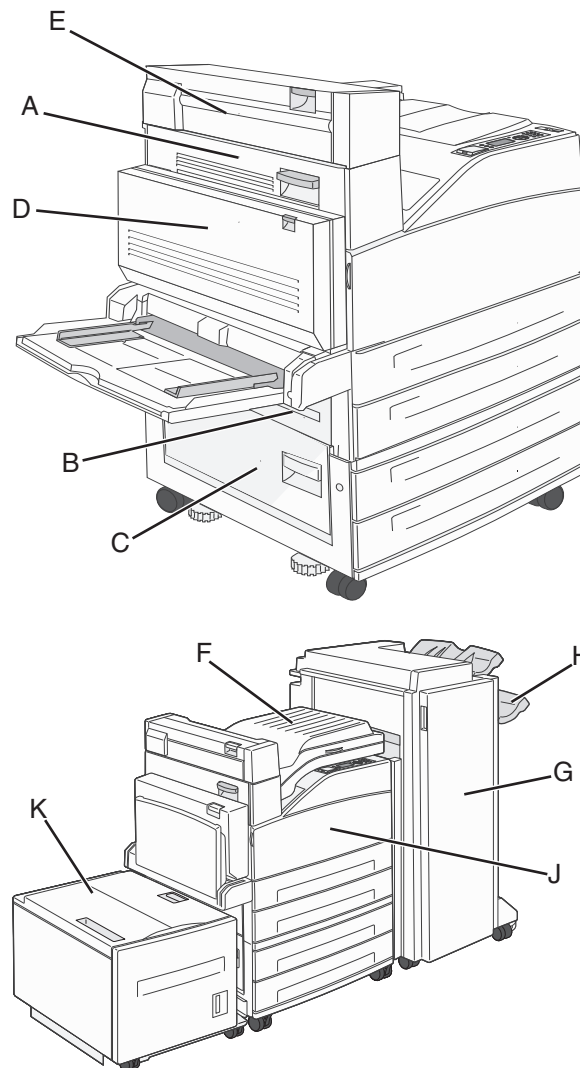
- Flex, fan, and straighten paper before loading it.



- Do not use paper that has been cut or trimmed by hand.
- Do not mix paper sizes, weights, or types in the same stack.
- Make sure all sizes and types are set correctly in the printer control panel menus.
- Store paper per the manufacturer's recommendations.

Understanding jam numbers and locations

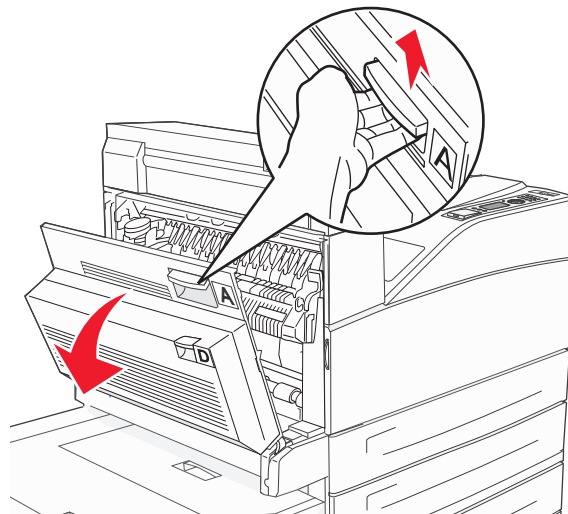
When a jam occurs, a message indicating the jam location appears on the display. Open doors and covers and remove trays to access jam locations. To resolve any paper jam message, you must clear all jammed paper from the paper path.



Jam numbers	What to do
200–202	Open Door A, and then remove the jam.
203	Open Doors A and E, and then remove any jams.
230	Lower the duplex unit (Door D), and then remove the jam. Open Doors A and E, and then remove any jams.
231	Lower the duplex unit (Door D), and then remove the jam. Open Door A, and then remove the jam.
24x	Open each tray, and then remove any jams.
250	<ol style="list-style-type: none"> 1 Remove all media from the multipurpose feeder. 2 Flex and stack the media. 3 Reload the multipurpose feeder. 4 Adjust the paper guide.
280–281	Open Door A, and then remove the jam. Lift Door F, and then remove the jam.
282	Lift Door F, and then remove the jam.
283	Open Door H, and then remove the jam.
284	Lower the duplex unit (Door D), and then remove the jam. Open Doors A and E, and then remove any jams.
285–286	Open Door H, and then remove the jam.
287–288	Open Doors F and G, and then remove the jam.
289	Open Door G, and then remove the jam.

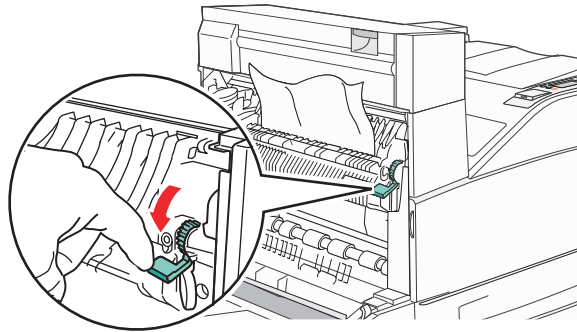
200–201 paper jams

- 1 Open Door A by pushing the release latch up and lowering the door.



CAUTION—HOT SURFACE: The inside of the printer might be hot. To reduce the risk of injury from a hot component, allow the surface to cool before touching.

- 2 Pull the jam and toward you.

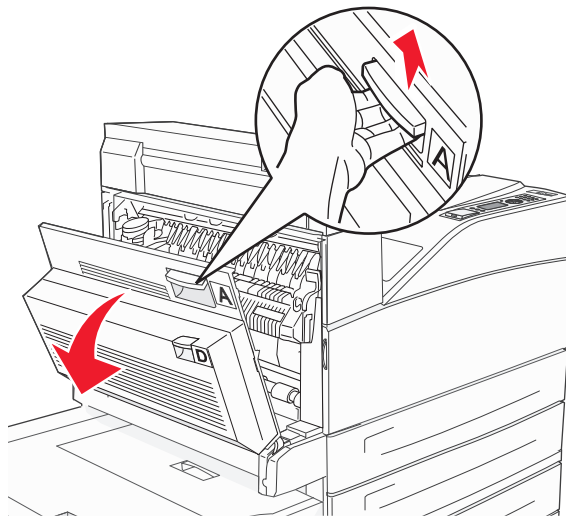


Note: If the jam does not move immediately, stop pulling. Push down and pull the green lever to make it easier to remove the jam. Make sure all paper fragments are removed.

- 3 Close Door A.

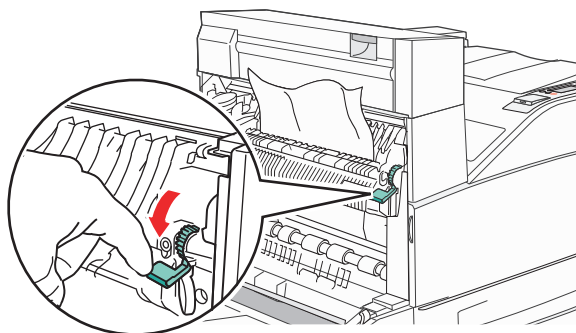
202 paper jam

- 1 Open Door A by pushing the release latch up and lowering the door.



CAUTION—HOT SURFACE: The inside of the printer might be hot. To reduce the risk of injury from a hot component, allow the surface to cool before touching.

- 2 Pull the jam up and toward you.



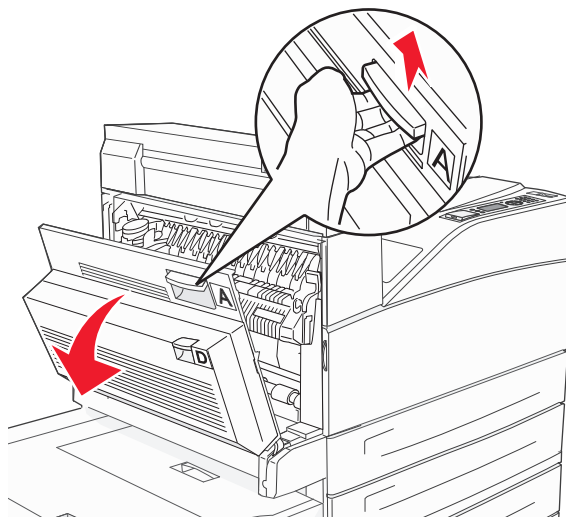
Note: If the jam does not move immediately, stop pulling. Push down and pull the green lever to make it easier to remove the jam. Make sure all paper fragments are removed.

- 3 Close Door A.

203, 230–231 paper jams

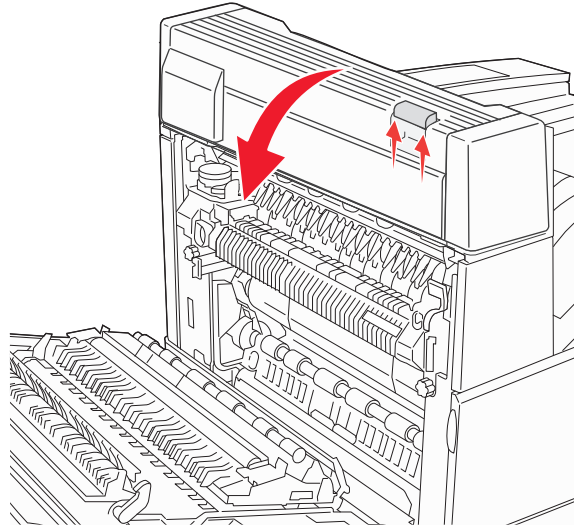
203 paper jam

- 1 Open Door A by pushing the release latch up and lowering the door.

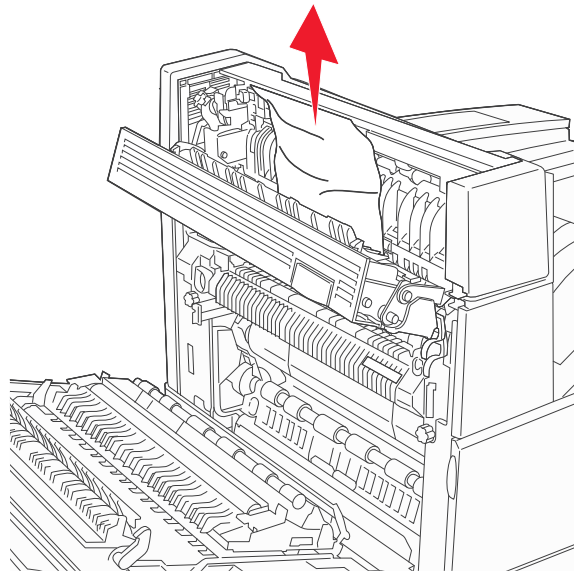


CAUTION—HOT SURFACE: The inside of the printer might be hot. To reduce the risk of injury from a hot component, allow the surface to cool before touching.

2 Open Door E by pushing the release latch and lowering the door.



3 Pull the jam up.

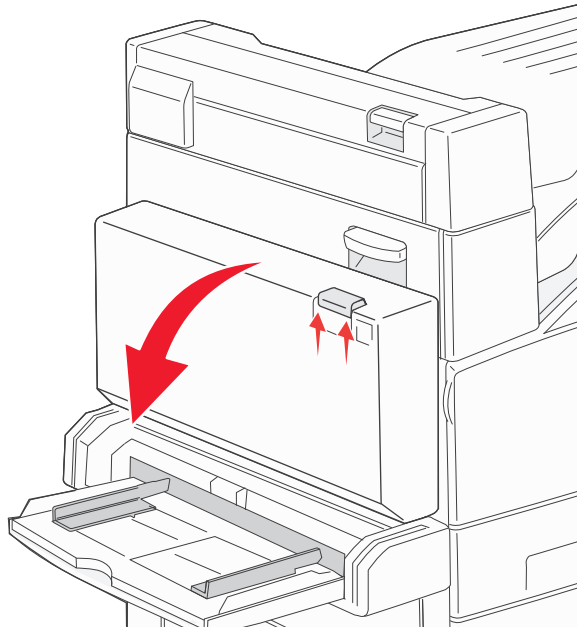


4 Close Door E.

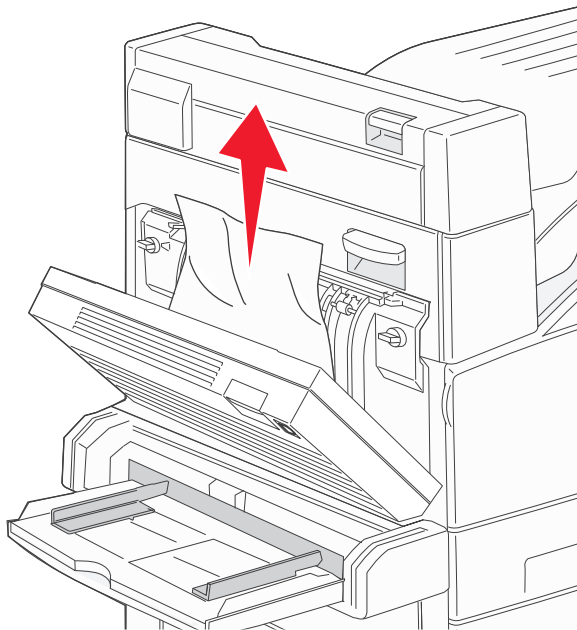
5 Close Door A.

230 paper jam

1 Open Door D.

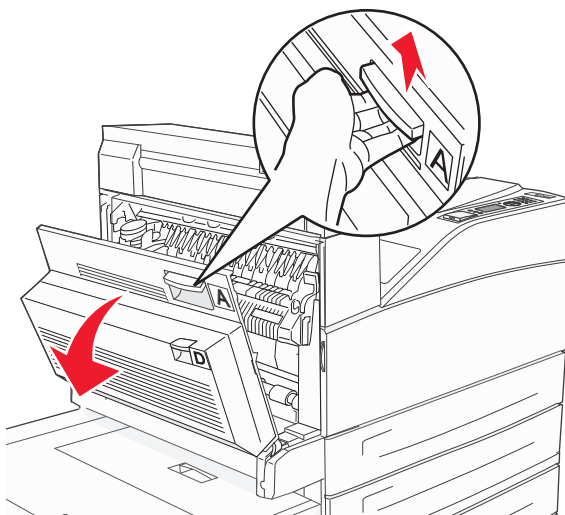



2 Remove the jam.



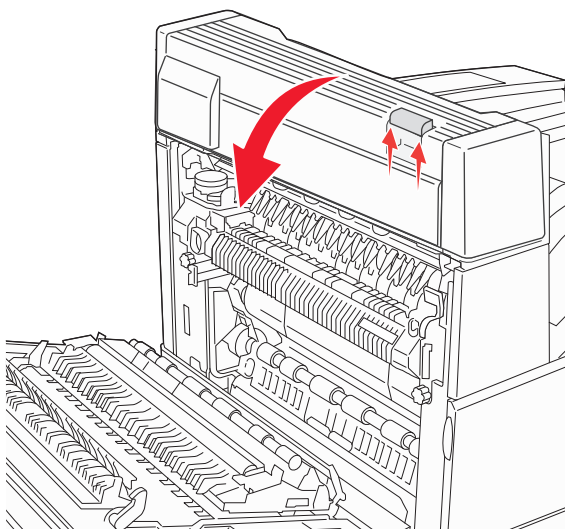
3 Close Door D.

4 Open Door A by pushing the release latch up and lowering the door.

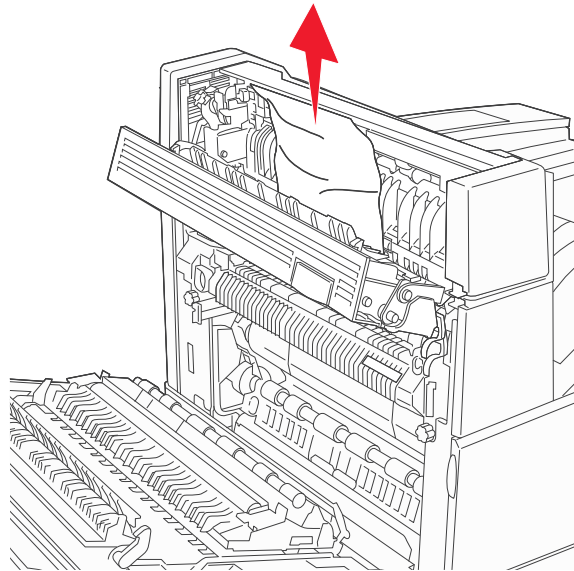


 **CAUTION—HOT SURFACE:** The inside of the printer might be hot. To reduce the risk of injury from a hot component, allow the surface to cool before touching.

5 Open Door E by pushing the release latch and lowering the door.



6 Pull the jam up.

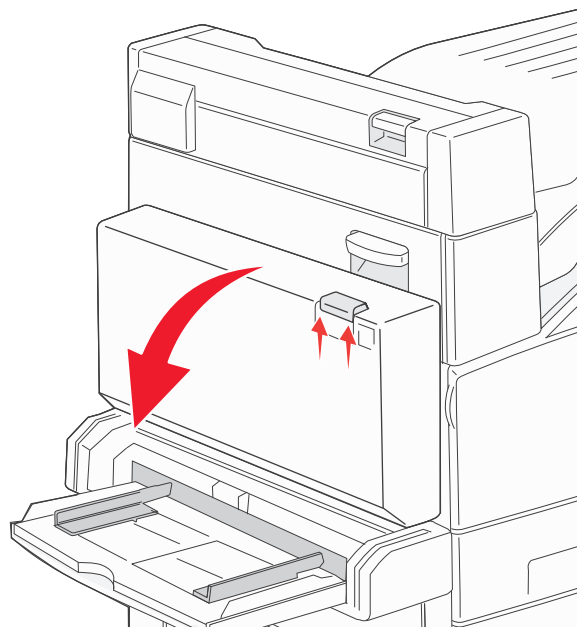


7 Close Door E.

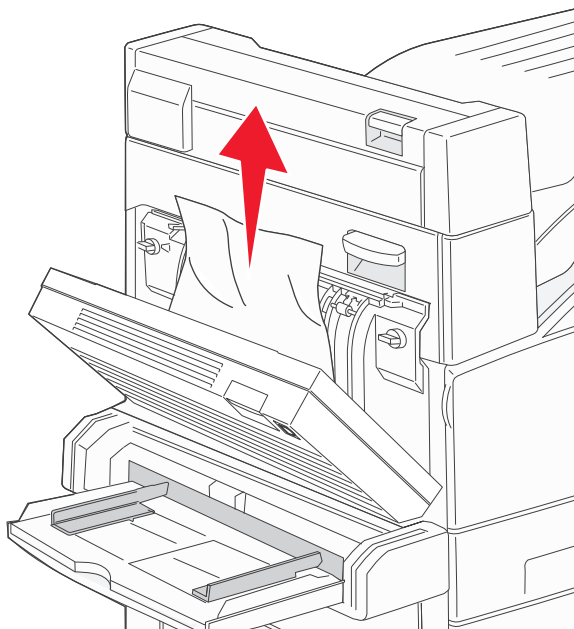
8 Close Door A.

231 paper jam

1 Open Door D.

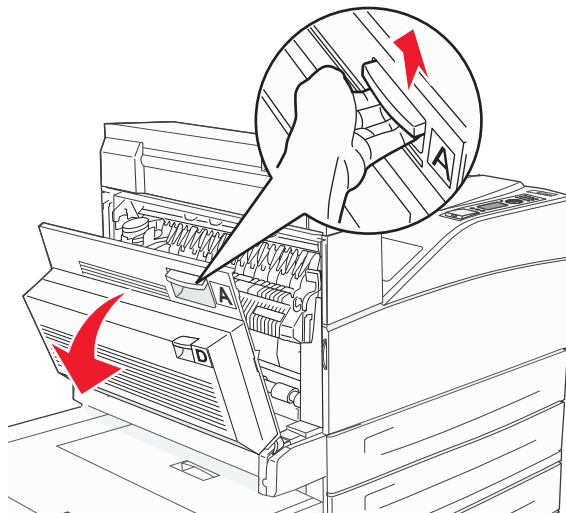



2 Remove the jam.



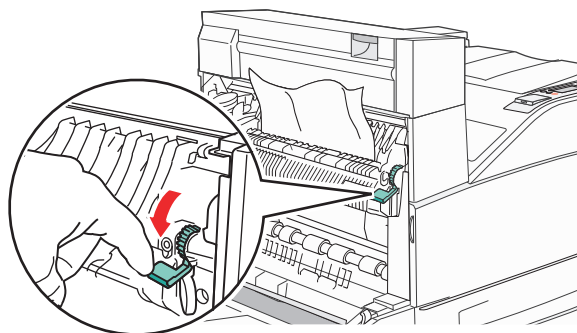
3 Close Door D.

4 Open Door A by pushing the release latch up and lowering the door.



 **CAUTION—HOT SURFACE:** The inside of the printer might be hot. To reduce the risk of injury from a hot component, allow the surface to cool before touching.

- 5 Pull the jam up and toward you.



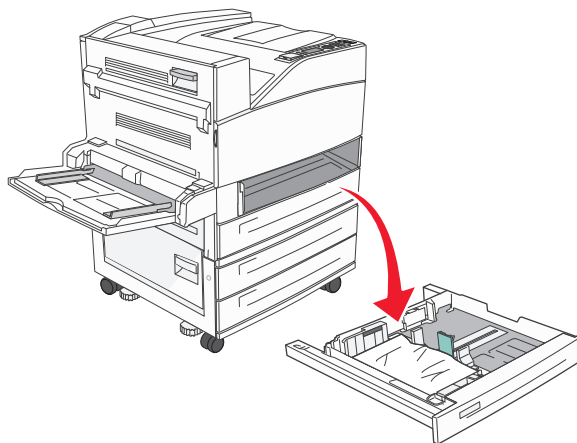
Note: If the jam does not move immediately, stop pulling. Push down and pull the green lever to make it easier to remove the jam. Make sure all paper fragments are removed.

- 6 Close Door A.

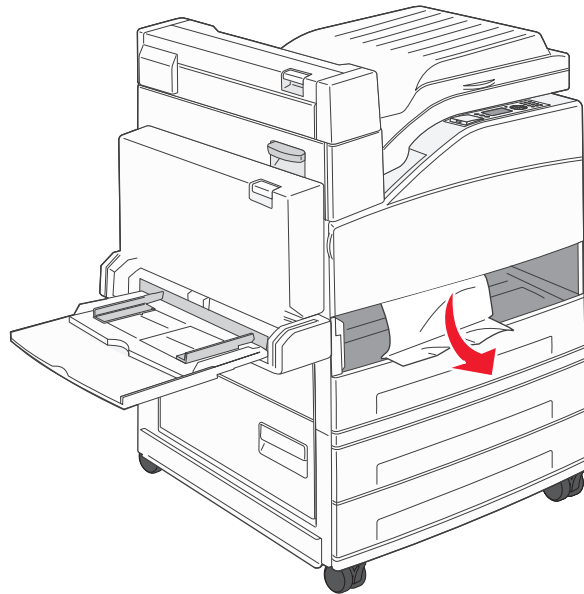
24x paper jam

Jam in Tray 1

- 1 Remove Tray 1 from the printer.



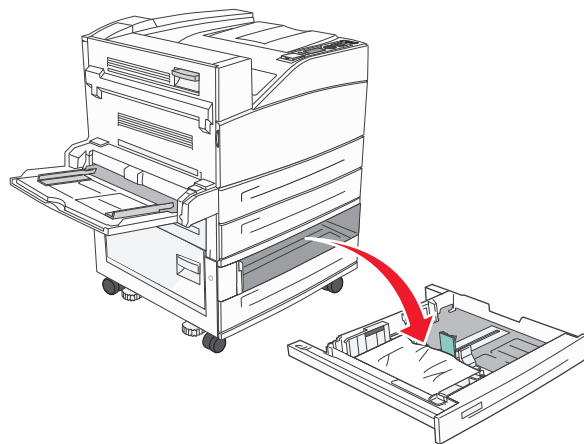
2 Remove the jam.



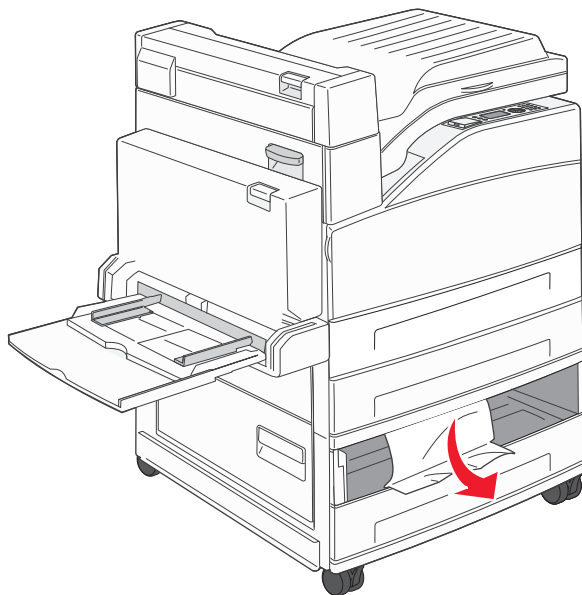
3 Insert Tray 1.

Jam in the optional tray

1 Pull the tray out.



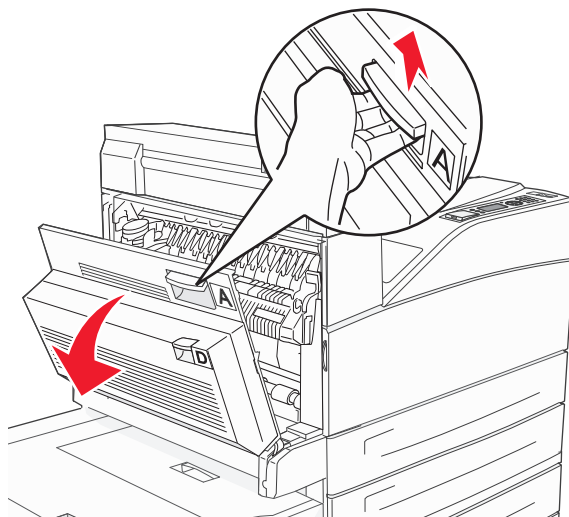
2 Remove the jam.




3 Insert the tray.

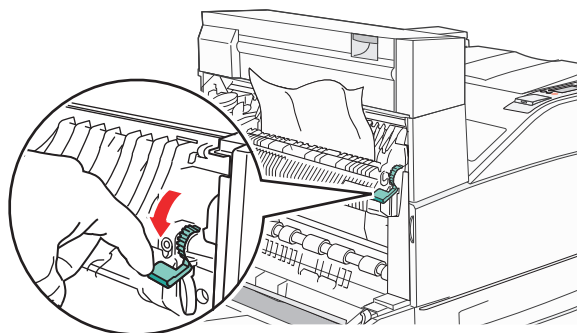
Clearing jam in Door A

1 Open Door A by pushing the release latch up and lowering the door.



 **CAUTION—HOT SURFACE:** The inside of the printer might be hot. To reduce the risk of injury from a hot component, allow the surface to cool before touching.

- 2 Pull the jam up and toward you.

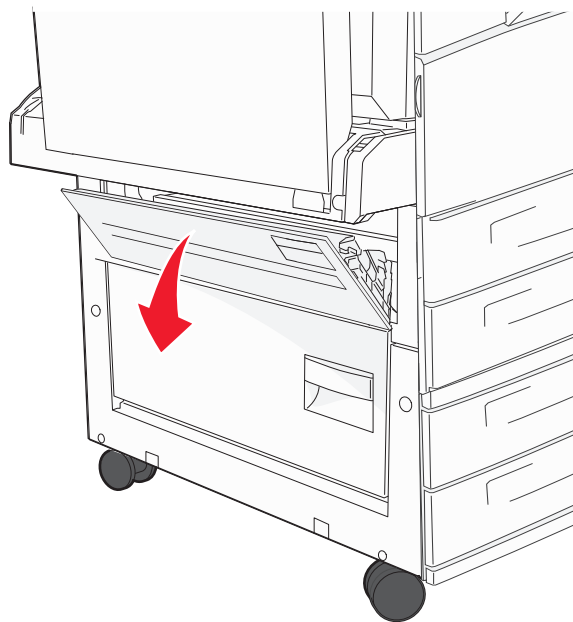


Note: If the jam does not move immediately, stop pulling. Push down and pull the green lever to make it easier to remove the jam. Make sure all paper fragments are removed.

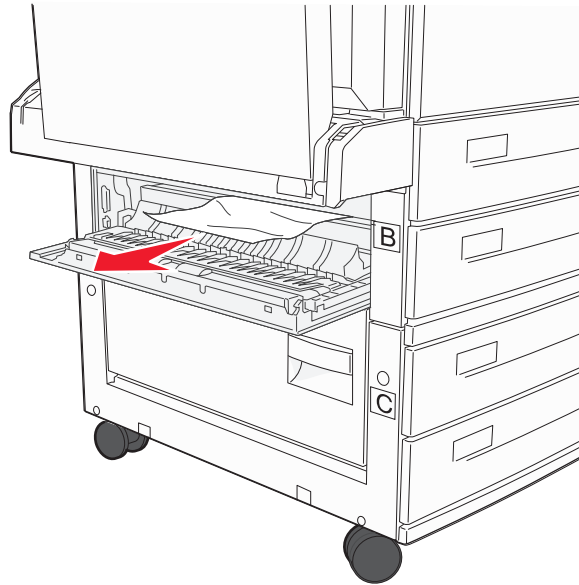
- 3 Close Door A.

Clearing jam in Door B

- 1 Open Door B.



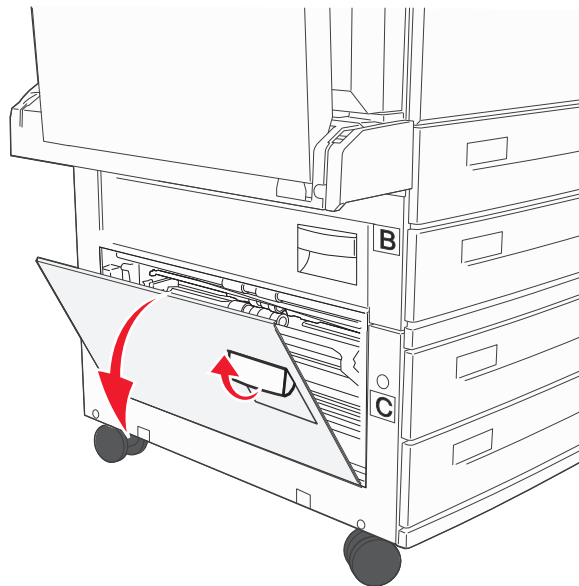
2 Pull the jam up and toward you.



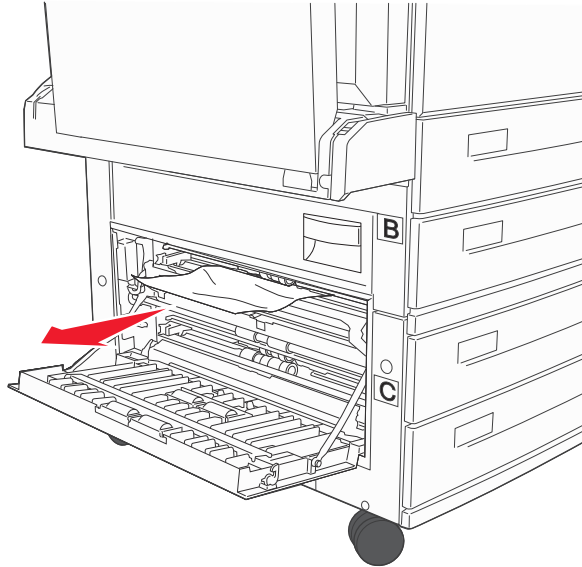
3 Close Door B.

241 paper jam

1 Open Door C.

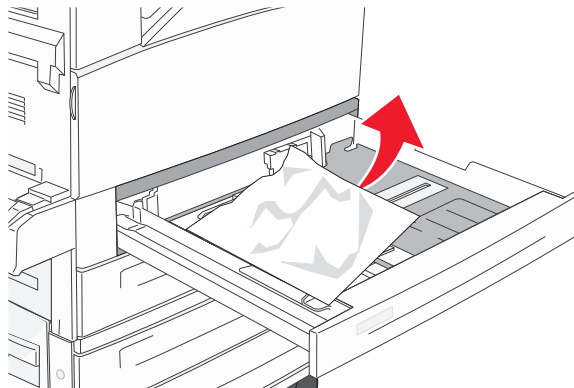


- 2 Pull the jam up and toward you.



Note: Make sure all paper fragments are removed.

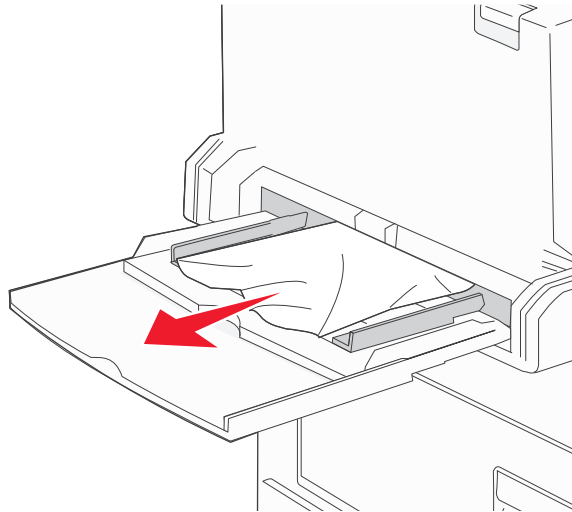
- 3 Close Door C.
- 4 Open Tray 1, and then remove any crumpled paper from the tray.



- 5 Insert Tray 1.

250 paper jam

- 1 Remove the paper from the multipurpose feeder.

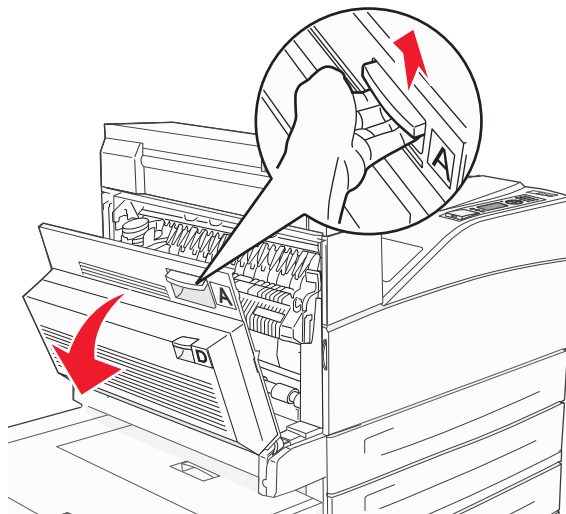



- 2 Flex the sheets of paper back and forth to loosen them, and then fan them. Do not fold or crease the paper. Straighten the edges on a level surface.
- 3 Load the paper into the multipurpose feeder.
- 4 Adjust the paper guide to rest lightly against the edge of the paper.

280–282 paper jams

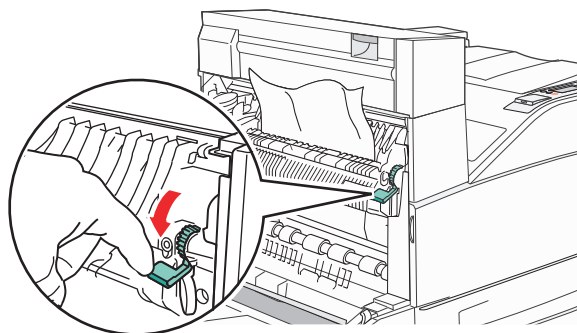
280-281 paper jams

- 1 Open Door A by pushing the release latch up and lowering the door.



 **CAUTION—HOT SURFACE:** The inside of the printer might be hot. To reduce the risk of injury from a hot component, allow the surface to cool before touching.

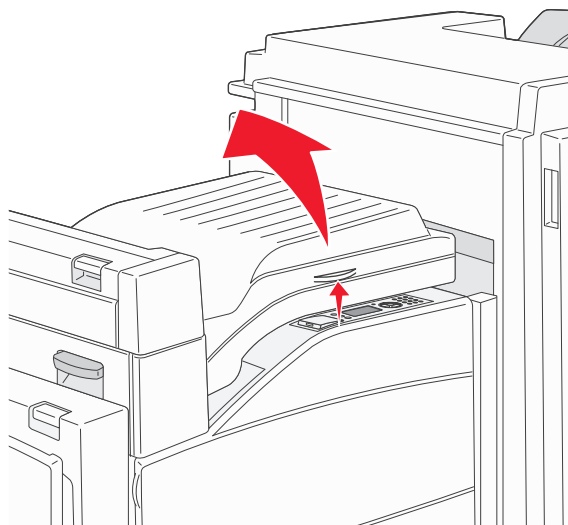
2 Pull the jam up and toward you.



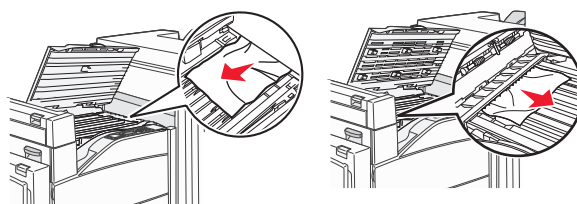
Note: If the jam does not move immediately, stop pulling. Push down and pull the green lever to make it easier to remove the jam. Make sure all paper fragments are removed.

3 Close Door A.

4 Open Door F.



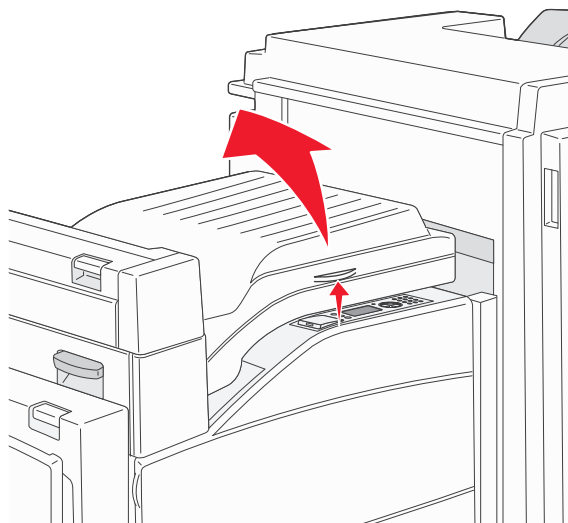
5 Remove the jam.



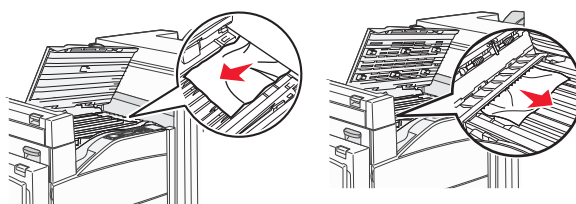
6 Close Door F.

282 paper jam

1 Open Door F.



2 Remove the jam.

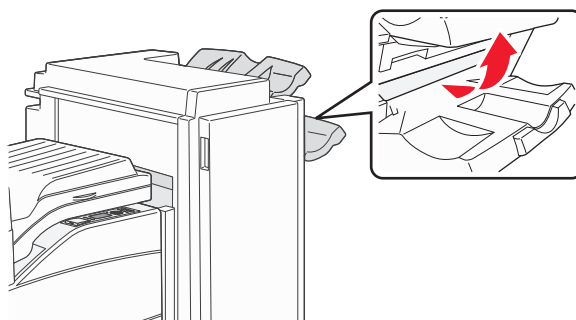


3 Close Door F.

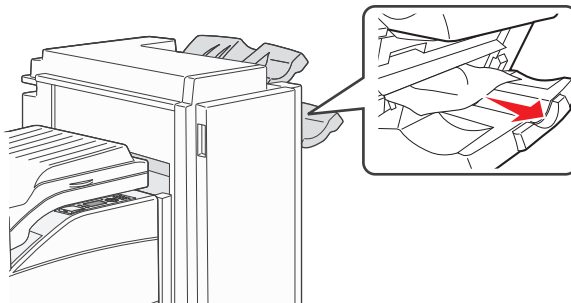
283, 289 staple jams

283 paper jam

1 Lift Door H.



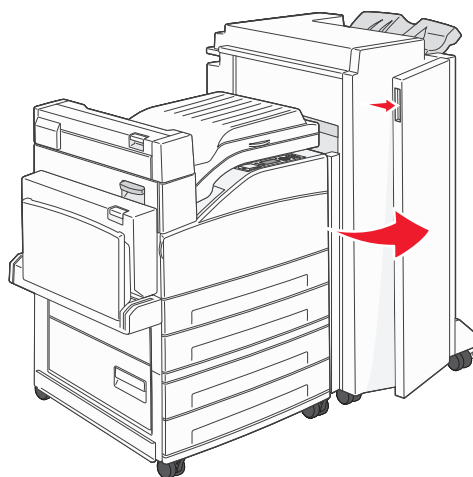
2 Remove the jam.



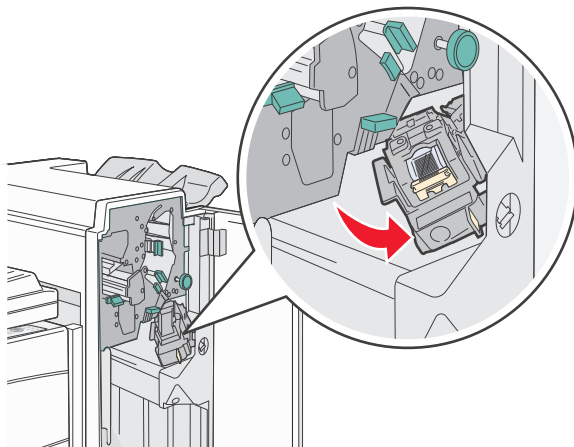
3 Close Door H.

289 staple error

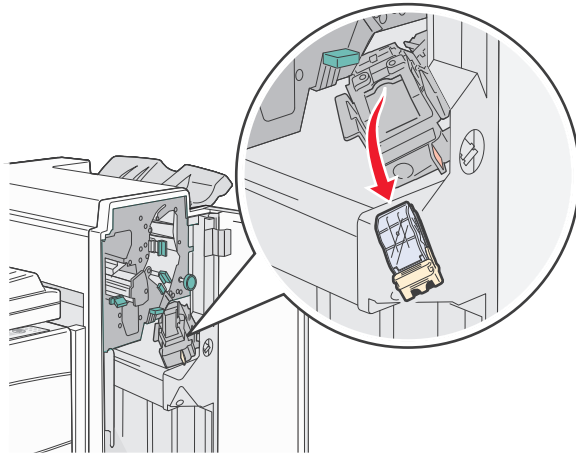
1 Open Door G.



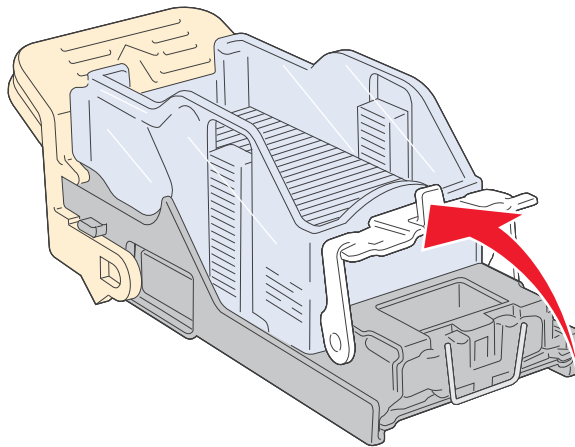
2 Hold the lever on the staple cartridge holder, and move the holder to the right.



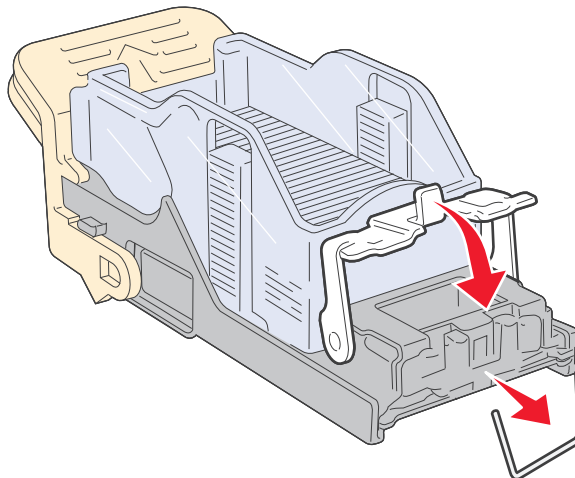
- 3 Firmly pull the colored tab to remove the staple cartridge.



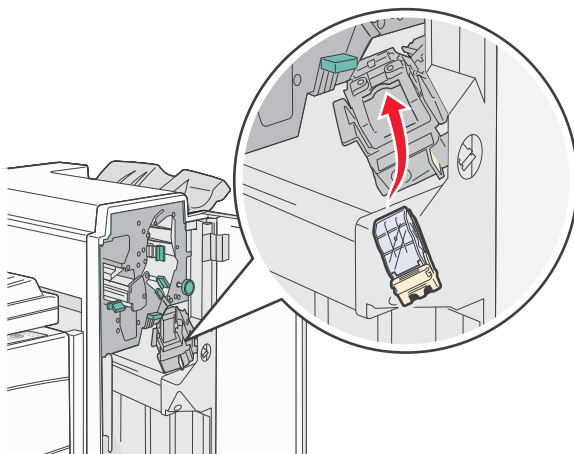
- 4 Use the metal tab to lift the staple guard, and then pull out the sheet of staples. Discard the entire sheet.



- 5 Look through the clear covering on the bottom of the cartridge holder to make sure no staples are jammed at the entrance.
- 6 Press down on the staple guard until it snaps securely into place.



7 Push the cartridge holder firmly into the stapler until the holder clicks into place.



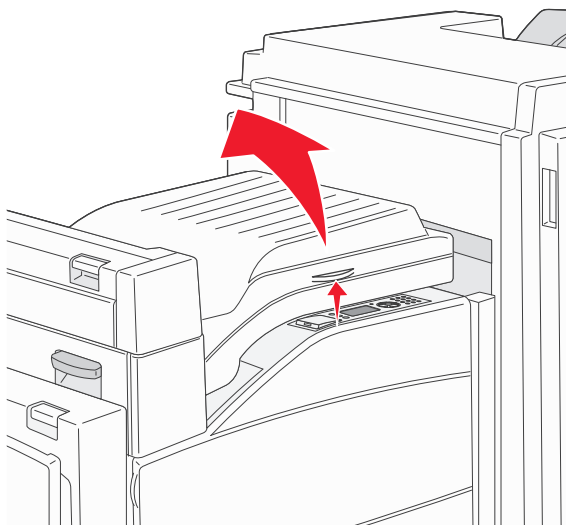
8 Close Door G.

Priming Stapler appears. Priming ensures the stapler is functioning properly.

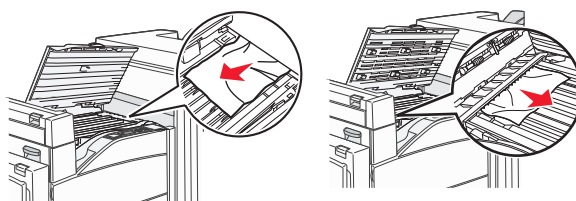
28x paper jam

284 paper jam

1 Open Door F.

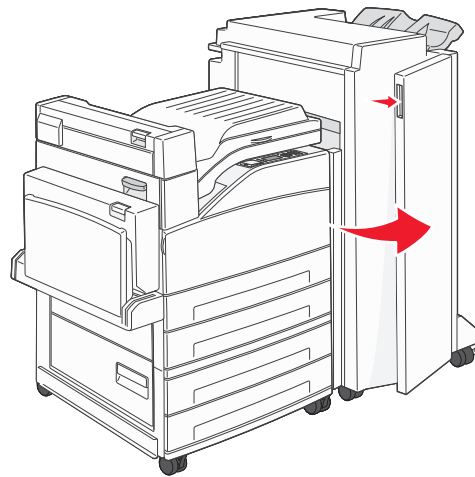


2 Remove the jam.



3 Close Door F.

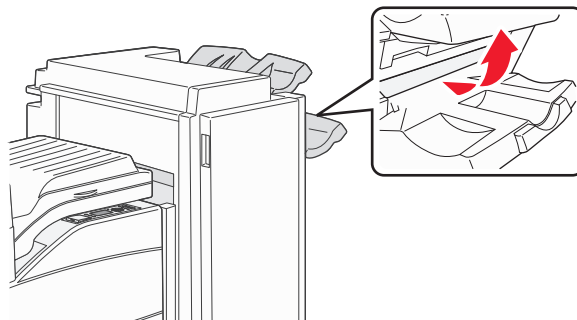
4 Open Door G.



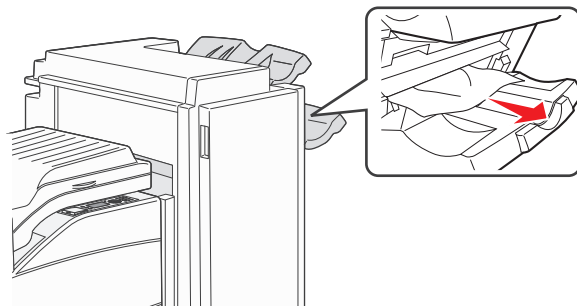
5 Remove the jam.

6 Close Door G.

7 Lift Door H.



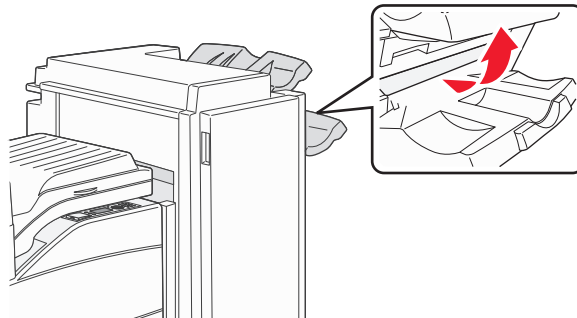
8 Remove the jam.



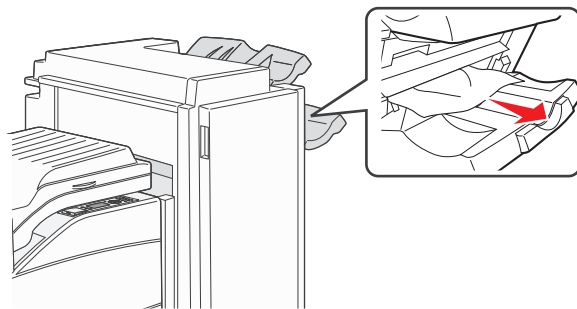
9 Close Door H.

285–286 paper jams

1 Lift Door H.



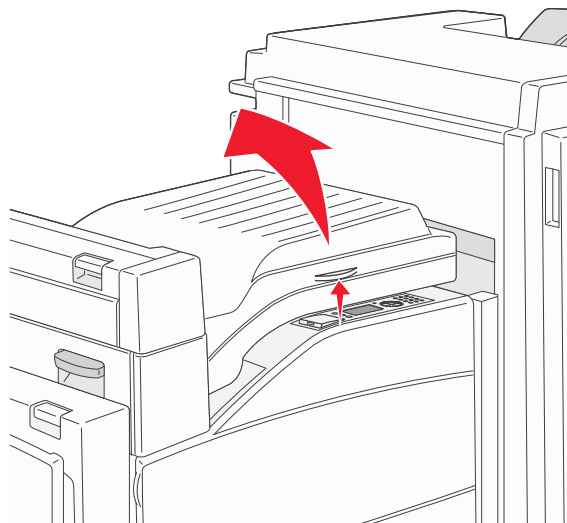
2 Remove the jam.



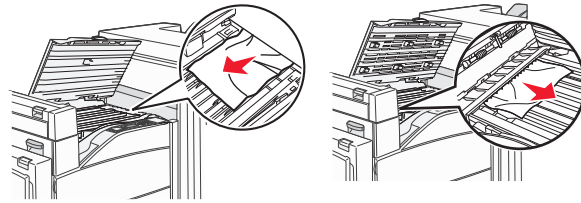
3 Close Door H.

287–288 paper jams

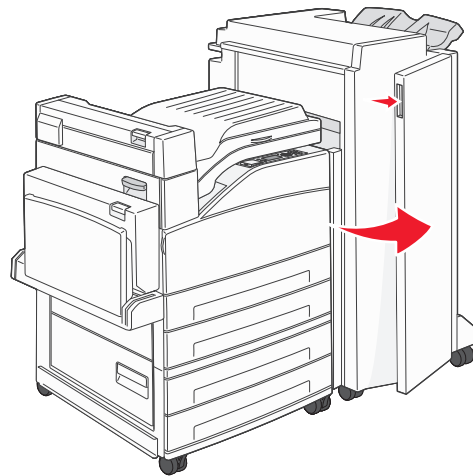
1 Open Door F.



- 2 Remove the jam.



- 3 Close Door F.
- 4 Open Door G.



- 5 Remove the jam.
- 6 Close Door G.

Solving printing problems

Multiple-language PDFs do not print

The documents contain unavailable fonts.

- 1 Open the document you want to print in Adobe Acrobat.
- 2 Click the printer icon.
The Print dialog appears.
- 3 Select **Print as image**.
- 4 Click **OK**.

Printer control panel display is blank or displays only diamonds

The printer self test failed. Turn the printer off, wait about 10 seconds, and then turn the printer back on.

If the clock graphic and **Ready** do not appear, then turn the printer off and contact Customer Support.

Error message about reading USB drive appears

Make sure the USB drive is supported. For information regarding tested and approved USB flash memory devices, see "Printing from a flash drive" on page 72.

Jobs do not print

These are possible solutions. Try one or more of the following:

MAKE SURE THE PRINTER IS READY TO PRINT

Make sure **Ready** or **Power Saver** appears on the display before sending a job to print.

CHECK TO SEE IF THE STANDARD EXIT BIN IS FULL

Remove the stack of paper from the standard exit bin.

CHECK TO SEE IF THE PAPER TRAY IS EMPTY

Load paper in the tray.

MAKE SURE THE CORRECT PRINTER SOFTWARE IS INSTALLED

- Verify that you are using the correct printer software.
- If you are using a USB port, make sure you are running a supported operating system and using compatible printer software.

MAKE SURE THE INTERNAL PRINT SERVER IS INSTALLED PROPERLY AND WORKING

- Make sure the internal print server is properly installed and that the printer is connected to the network.
- Print a network setup page and check that the status shows **Connected**. If the status is **Not Connected**, check the network cables, and then try printing the network setup page again. Contact your system support person to make sure the network is functioning correctly.

Copies of the printer software are also available on the Lexmark Web site at www.lexmark.com.

MAKE SURE YOU ARE USING A RECOMMENDED USB, SERIAL, OR ETHERNET CABLE

For more information, visit the Lexmark Web site at www.lexmark.com.

MAKE SURE PRINTER CABLES ARE SECURELY CONNECTED

Check the cable connections to the printer and print server to make sure they are secure.

For more information, see the setup documentation that came with the printer.

Confidential and other held jobs do not print

These are possible solutions. Try one or more of the following:

PARTIAL JOB, NO JOB, OR BLANK PAGES PRINT

The print job may contain a formatting error or invalid data.

- Delete the print job, and then print it again.
- For PDF documents, recreate the PDF and then print it again.

MAKE SURE THE PRINTER HAS SUFFICIENT MEMORY

Free up additional printer memory by scrolling through the list of held jobs and deleting some of them.







Job takes longer than expected to print

These are possible solutions. Try one or more of the following:

REDUCE THE COMPLEXITY OF THE PRINT JOB

Eliminate the number and size of fonts, the number and complexity of images, and the number of pages in the job.

CHANGE THE PAGE PROTECT SETTING TO OFF

- 1 From the printer control panel, press .
- 2 Press the up or down arrow button until **√Settings** appears, and then press .
- 3 Press the up or down arrow button until **√General Settings** appears, and then press .
- 4 Press the up or down arrow button until **√Print Recovery** appears, and then press .
- 5 Press the up or down arrow button until **√Page Protect** appears, and then press .
- 6 Press the up or down arrow button until **√Off** appears, and then press .

Job prints from the wrong tray or on the wrong paper

CHECK THE PAPER TYPE SETTING

Make sure the paper type setting matches the paper loaded in the tray:

- 1 From the printer control panel Paper menu, check the Paper Type setting.
- 2 Before sending the job to print, specify the correct type setting:
 - For Windows users, specify the type from Print Properties.
 - For Macintosh users, specify the type from the Print dialog.

Incorrect characters print

MAKE SURE THE PRINTER IS NOT IN HEX TRACE MODE

If **Ready Hex** appears on the display, then you must exit Hex Trace mode before you can print your job. Turn the printer off and back on to exit Hex Trace mode.

Tray linking does not work

These are possible solutions. Try one or more of the following:

LOAD THE SAME SIZE AND TYPE OF PAPER

- Load the same size and type of paper in each tray to be linked.
- Move the paper guides to the correct positions for the paper size loaded in each tray.

USE THE SAME PAPER SIZE AND PAPER TYPE SETTINGS

- Print a menu settings page and compare the settings for each tray.
- If necessary, adjust the settings from the Paper Size/Type menu.

Note: The multipurpose feeder does not automatically sense the paper size. You must set the size from the Paper Size/Type menu.

Large jobs do not collate

These are possible solutions. Try one or more of the following:

MAKE SURE COLLATE IS SET TO ON

From the Finishing menu or Print Properties, set Collate to On.

Note: Setting Collate to Off in the software overrides the setting in the Finishing menu.

REDUCE THE COMPLEXITY OF THE PRINT JOB



Reduce the complexity of the print job by eliminating the number and size of fonts, the number and complexity of images, and the number of pages in the job.





MAKE SURE THE PRINTER HAS ENOUGH MEMORY

Add printer memory or an optional hard disk.

Unexpected page breaks occur

Increase the Print Timeout value:

- 1 From the printer control panel, press .
- 2 Press the up or down arrow button until **✓Settings** appears, and then press .

- 3 Press the up or down arrow button until **General Settings** appears, and then press .
- 4 Press the up or down arrow button until **Timeouts** appears, and then press .
- 5 Press the up or down arrow button until **Print Timeout** appears, and then press .
- 6 Press the up or down arrow button until the value you want appears, and then press .

Solving option problems

Settings chosen from the software program or application can change or override settings chosen from the printer control panel. If an option is not functioning, then make sure it is selected in the software as well as the printer control panel.

Option does not operate correctly or quits after it is installed

These are possible solutions. Try one or more of the following:

RESET THE PRINTER

Turn the printer off, wait for about 10 seconds, and then turn the printer on.

CHECK TO SEE IF THE OPTION IS CONNECTED TO THE PRINTER

- 1 Turn the printer off.
- 2 Unplug the printer from the wall outlet.
- 3 Check the connection between the option and the printer.

MAKE SURE THE OPTION IS INSTALLED

Print a menu settings page and check to see if the option is listed in the Installed Options list. If the option is not listed, then reinstall it.

MAKE SURE THE OPTION IS AVAILABLE IN THE PRINTER DRIVER

It may be necessary to manually add the option in the printer driver to make it available for print jobs. For more information, see "Updating available options in the printer driver" on page 29.

MAKE SURE THE OPTION IS SELECTED

From the program you are using, select the option. Mac OS 9 users should make sure the printer is set up in the Chooser.

Paper trays

These are possible solutions. Try one or more of the following:

MAKE SURE THE PAPER IS LOADED CORRECTLY

- 1 Open the paper tray.
- 2 Check for paper jams or misfeeds.
- 3 Make sure paper guides are aligned against the edges of the paper.
- 4 Make sure the paper tray closes properly.

RESET THE PRINTER

Turn the printer off, wait about 10 seconds, and then turn the printer on.

MAKE SURE THE PAPER TRAY IS INSTALLED CORRECTLY

If the paper tray is listed on the menu settings page, but paper jams when it enters or exits the tray, then it may not be properly installed. Reinstall the paper tray. For more information, see the hardware setup documentation that came with the paper tray, or go to <http://support.lexmark.com> to view the paper tray instruction sheet.

Solving 2,000-sheet drawer problems

Try one or more of the following:

THE ELEVATOR TRAY IS NOT WORKING PROPERLY

- Make sure the printer is properly connected to the 2,000-sheet drawer.
- Make sure the printer is turned on.
- Make sure that the power cord is plugged firmly into the back of the 2,000-sheet drawer.
- If the tray is empty, then load paper in the tray.
- Clear any jams.

THE PAPER FEED ROLLERS DO NOT TURN TO ADVANCE PAPER

- Make sure the printer is properly connected to the 2,000-sheet drawer.
- Make sure the printer is turned on.

THE PAPER CONSISTENTLY JAMS IN THE DRAWER

- Flex the paper.
- Make sure the drawer is properly installed.
- Make sure paper is loaded correctly.
- Make sure the paper or specialty media meets specifications and is not damaged.
- Make sure the guides are positioned correctly for the paper size loaded.

Memory card

Make sure the memory card is securely connected to the printer system board.

Flash memory card

Make sure the flash memory card is securely connected to the printer system board.

Hard disk with adapter

Make sure the hard disk is securely connected to the printer system board.

Internal Solutions Port

If the Lexmark Internal Solutions Port (ISP) does not operate correctly, then these are possible solutions. Try one or more of the following:

CHECK THE ISP CONNECTIONS

- Make sure the ISP is securely attached to the printer system board.
- Make sure the cable is securely connected to the correct connector.

CHECK THE CABLE

Make sure you are using the correct cable and that it is securely connected.

MAKE SURE THE NETWORK SOFTWARE IS CONFIGURED CORRECTLY

For information about installing software for network printing, see the *Networking Guide* on the *Software and Documentation CD*

USB/parallel interface card

Check the USB/parallel interface card connections:

- Make sure the USB/parallel interface card is securely connected to the printer system board.
- Make sure you are using the correct cable and that it is securely connected.

Internal print server

If the internal print server does not operate correctly, these are possible solutions. Try one or more of the following:

CHECK THE PRINT SERVER CONNECTIONS

- Make sure the internal print server is attached securely to the printer system board.
- Make sure you are using the correct (optional) cable and that it is securely connected.

MAKE SURE THE NETWORK SOFTWARE IS CONFIGURED CORRECTLY

For information about installing software for network printing, click **Additional** on the *Software and Documentation* CD, and then select the **Networking Guide** link under **Publications on this CD**.

Solving paper feed problems

Paper frequently jams

These are possible solutions. Try one or more of the following:

CHECK THE PAPER

Use recommended paper and specialty media. For more information, see the chapter about paper and specialty media guidelines.

MAKE SURE THERE IS NOT TOO MUCH PAPER IN THE PAPER TRAY

Make sure the stack of paper you load does not exceed the maximum stack height indicated in the tray or on the multipurpose feeder.


CHECK THE PAPER GUIDES

Move the guides in the tray to the correct positions for the paper size loaded.

THE PAPER MAY HAVE ABSORBED MOISTURE DUE TO HIGH HUMIDITY





- Load paper from a fresh package.
- Store paper in its original wrapper until you use it.



Paper jam message remains after jam is cleared

- 1 Clear jammed paper from the entire paper path.
- 2 Press the up or down arrow button until **Continue** appears, and then press .

Page that jammed does not reprint after you clear the jam

Jam Recovery is set to Off. Set Jam Recovery to Auto or On:




- 1 Press .
- 2 Press the up or down arrow button until **Settings** appears, and then press .
- 3 Press the up or down arrow button until **General Settings** appears, and then press .
- 4 Press the up or down arrow button until **Print Recovery** appears, and then press .

- 5 Press the up or down arrow button until **√Jam Recovery** appears, and then press .
- 6 Press the up or down arrow button until **√On** or **√Auto** appears, and then press .

Solving print quality problems

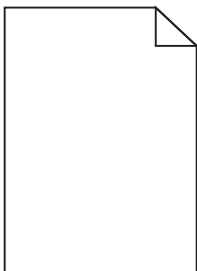
Isolating print quality problems

To help isolate print quality problems, print the print quality test pages:

- 1 Turn the printer off.
- 2 From the printer control panel, press and hold  and the right arrow button while turning the printer on.
- 3 Release both buttons when the clock animation appears.
The printer performs its power-on sequence, and then **Config Menu** appears.
- 4 Press the up or down arrow button until **√Prt Quality Pgs** appears, and then press .
- The pages are formatted, **Printing Quality Test Pages** appears, and then the pages print. The message remains on the printer control panel display until all the pages print.
- 5 After the print quality test pages print, press the up or down arrow button until **√Exit Config Menu** appears, and then press .

The information in the following topics may help you solve print quality problems. If these suggestions still do not correct the problem, then call for service. You may have a printer part that requires adjustment or replacement.

Blank pages



These are possible solutions. Try one or more of the following:

PACKING MATERIAL MAY BE ON THE TONER CARTRIDGE

Remove the toner cartridge and make sure the packing material is properly removed. Reinstall the toner cartridge.

THE TONER MAY BE LOW

When **88 Cartridge Low** appears, order a new toner cartridge.

If the problem continues, the printer may need to be serviced. For more information, contact Customer Support.

Clipped images

Try one or more of the following:

CHECK THE GUIDES

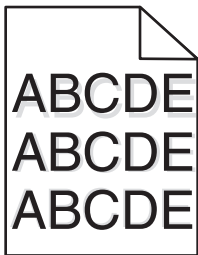
Move the width and length guides in the tray to the correct positions for the paper size loaded.

CHECK THE PAPER SIZE SETTING

Make sure the paper size setting matches the paper loaded in the tray:

- 1 From the printer control panel Paper menu, check the Paper Size setting.
- 2 Before sending the job to print, specify the correct size setting:
 - For Windows users, specify the size from Print Properties.
 - For Macintosh users, specify the size from the Page Setup dialog.

Ghost images

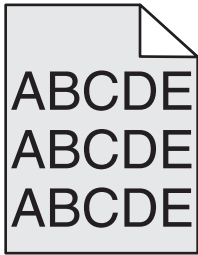


CHECK THE PAPER TYPE SETTING

Make sure the paper type setting matches the paper loaded in the tray:

- 1 From the printer control panel Paper menu, check the Paper Type setting.
- 2 Before sending the job to print, specify the correct type setting:
 - For Windows users, specify the type from Print Properties.
 - For Macintosh users, specify the type from the Print dialog.

Gray background

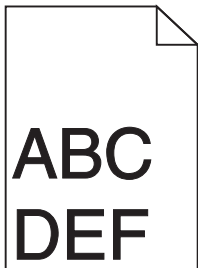


CHECK THE TONER DARKNESS SETTING

Select a lighter Toner Darkness setting:

- From the printer control panel, change the setting from the Quality menu.
- For Windows users, change the setting from Print Properties.
- For Macintosh users, change the setting from the Print dialog.

Incorrect margins



These are possible solutions. Try one or more of the following:

CHECK THE PAPER GUIDES

Move the guides in the tray to the correct positions for the paper size loaded.

CHECK THE PAPER SIZE SETTING

Make sure the paper size setting matches the paper loaded in the tray:

- 1 From the printer control panel Paper menu, check the Paper Size setting.
- 2 Before sending the job to print, specify the correct size setting:
 - For Windows users, specify the size from Print Properties.
 - For Macintosh users, specify the size from the Page Setup dialog.

Paper curl

These are possible solutions. Try one or more of the following:

CHECK THE PAPER TYPE SETTING

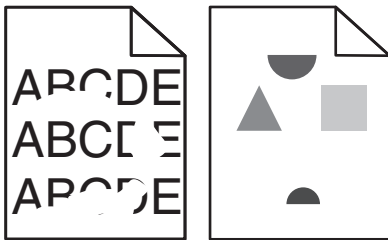
Make sure the paper type setting matches the paper loaded in the tray:

- 1 From the printer control panel Paper menu, check the Paper Type setting.
- 2 Before sending the job to print, specify the correct type setting:
 - For Windows users, specify the type from Print Properties.
 - For Macintosh users, specify the type from the Print dialog.

THE PAPER HAS ABSORBED MOISTURE DUE TO HIGH HUMIDITY

- Load paper from a fresh package.
- Store paper in its original wrapper until you use it.

Print irregularities



These are possible solutions. Try one or more of the following:

THE PAPER MAY HAVE ABSORBED MOISTURE DUE TO HIGH HUMIDITY

- Load paper from a fresh package.
- Store paper in its original wrapper until you use it.

CHECK THE PAPER TYPE SETTING

Make sure the paper type setting matches the paper loaded in the tray:

- 1 From the printer control panel Paper menu, check the Paper Type setting.
- 2 Before sending the job to print, specify the correct type setting:
 - For Windows users, specify the type from Print Properties.
 - For Macintosh users, specify the type from the Print dialog.

CHECK THE PAPER

Avoid textured paper with rough finishes.

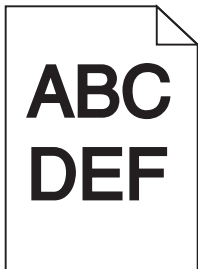
THE TONER MAY BE LOW

When **88 Cartridge Low** appears or when the print becomes faded, replace the toner cartridge.

THE FUSER MAY BE WORN OR DEFECTIVE

Replace the fuser.

Print is too dark



These are possible solutions. Try one or more of the following:

CHECK THE DARKNESS, BRIGHTNESS, AND CONTRAST SETTINGS

The Toner Darkness setting is too dark, the Brightness setting is too dark, or the Contrast setting is too high.

- Change these settings from the printer control panel Quality menu.
- For Windows users, change these settings from Print Properties.
- For Macintosh users, change these settings from the Print dialog and pop-up menus.

THE PAPER HAS ABSORBED MOISTURE DUE TO HIGH HUMIDITY

- Load paper from a fresh package.
- Store paper in its original wrapper until you use it.

CHECK THE PAPER

Avoid textured paper with rough finishes.

CHECK THE PAPER TYPE SETTING

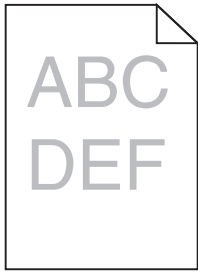
Make sure the paper type setting matches the paper loaded in the tray:

- 1 From the printer control panel Paper menu, check the Paper Type setting.
- 2 Before sending the job to print, specify the correct type setting:
 - For Windows users, specify the type from Print Properties.
 - For Macintosh users, specify the type from the Print dialog.

THE TONER CARTRIDGE MAY BE DEFECTIVE

Replace the toner cartridge.

Print is too light



These are possible solutions. Try one or more of the following:

CHECK THE DARKNESS, BRIGHTNESS, AND CONTRAST SETTINGS

The Toner Darkness setting is too light, the Brightness setting is too light, or the Contrast setting is too low.

- Change these settings from the printer control panel Quality menu.
- For Windows users, change these settings from Print Properties.
- For Macintosh users, change these settings from the Print dialog and pop-up menus.

THE PAPER HAS ABSORBED MOISTURE DUE TO HIGH HUMIDITY

- Load paper from a fresh package.
- Store paper in its original wrapper until you use it.

CHECK THE PAPER

Avoid textured paper with rough finishes.

CHECK THE PAPER TYPE SETTING

Make sure the paper type setting matches the paper loaded in the tray:

- 1 From the printer control panel Paper menu, check the Paper Type setting.
- 2 Before sending the job to print, specify the correct type setting:
 - For Windows users, specify the type from Print Properties.
 - For Macintosh users, specify the type from the Print dialog.

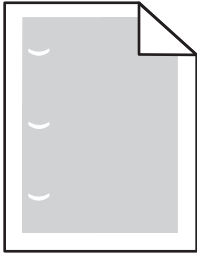
THE TONER IS LOW

When **88 Cartridge Low** appears, order a new toner cartridge.

THE TONER CARTRIDGE MAY BE DEFECTIVE

Replace the toner cartridge.

Repeating defects



These are possible solutions. Try one or more of the following:

Replace the transfer roller if the defects occur every:

58.7 mm (2.31 in.)

Replace the photoconductor if the defects occur every:

44 mm (1.73 in.)

Replace the fuser if the defects occur every:

- 78.5 mm (3.09 in.)
- 94.2 mm (3.71 in.)

Skewed print

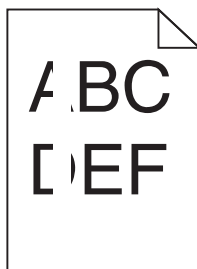
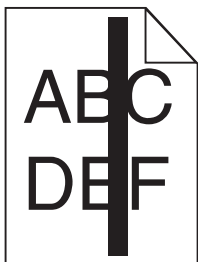
CHECK THE PAPER GUIDES

Move the guides in the tray to the correct positions for the paper size loaded.

CHECK THE PAPER

Make sure you are using paper that meets the printer specifications.

Solid black or white streaks appear on transparencies or paper



These are possible solutions. Try one or more of the following:

ENSURE THAT THE FILL PATTERN IS CORRECT

If the fill pattern is incorrect, choose a different fill pattern from your software program.

CHECK THE PAPER TYPE

- Try a different type of paper.
- Use only the recommended transparencies.
- Ensure that the Paper Type setting matches what is loaded in the tray or feeder.
- Ensure that the Paper Texture setting is correct for the type of paper or specialty media loaded in the tray or feeder.

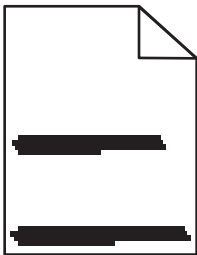
ENSURE THAT THE TONER IS DISTRIBUTED EVENLY WITHIN THE TONER CARTRIDGE

Remove the toner cartridge and shake it from side to side to redistribute the toner, and then reinstall it.

THE TONER CARTRIDGE MAY BE DEFECTIVE OR LOW ON TONER

Replace the used toner cartridge with a new one.

Streaked horizontal lines



These are possible solutions. Try one or more of the following:

THE TONER IS SMEARED

Select another tray or feeder to feed the paper for the job:

- From the printer control panel Paper Menu, select the Default Source.
- For Windows users, select the paper source from Print Properties.
- For Macintosh users, select the paper source from the Print dialog and pop-up menus.

THE TONER CARTRIDGE MAY BE DEFECTIVE

Replace the toner cartridge.

THE PAPER PATH MAY NOT BE CLEAR

Check the paper path around the toner cartridge.

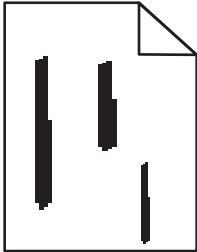


CAUTION—HOT SURFACE: The inside of the printer might be hot. To reduce the risk of injury from a hot component, allow the surface to cool before touching.

Clear any paper you see.

THERE IS TONER IN THE PAPER PATH

Contact Customer Support.

Streaked vertical lines

These are possible solutions. Try one or more of the following:

THE TONER IS SMEARED

Select another tray or feeder to feed paper for the job:

- From the printer control panel Paper Menu, select the Default Source.
- For Windows users, select the paper source from Print Properties.
- For Macintosh users, select the paper source from the Print dialog and pop-up menus.

THE TONER CARTRIDGE IS DEFECTIVE

Replace the toner cartridge.

THE PAPER PATH MAY NOT BE CLEAR

Check the paper path around the toner cartridge.



CAUTION—HOT SURFACE: The inside of the printer might be hot. To reduce the risk of injury from a hot component, allow the surface to cool before touching.

Clear any paper you see.

THERE IS TONER IN THE PAPER PATH

Contact Customer Support.

Toner fog or background shading appears on the page

These are possible solutions. Try one or more of the following:

THE TONER CARTRIDGE MAY BE DEFECTIVE

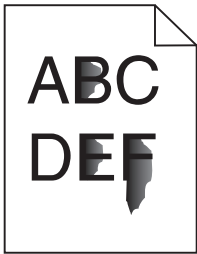
Replace the toner cartridge.

THE CHARGE ROLLS MAY BE DEFECTIVE

Replace the charge rolls.

THERE IS TONER IN THE PAPER PATH

Contact Customer Support.

Toner rubs off

These are possible solutions. Try one or more of the following:

CHECK THE PAPER TYPE SETTING

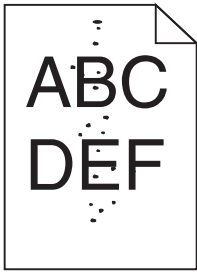
Make sure the paper type setting matches the paper loaded in the tray:

- 1** From the printer control panel Paper menu, check the Paper Type setting.
- 2** Before sending the job to print, specify the correct type setting:
 - For Windows users, specify the type from Print Properties.
 - For Macintosh users, specify the type from the Print dialog.

CHECK THE PAPER TEXTURE SETTING

From the printer control panel Paper menu, make sure the Paper Texture setting matches the paper loaded in the tray.

Toner specks



These are possible solutions. Try one or more of the following:

THE TONER CARTRIDGE MAY BE DEFECTIVE

Replace the toner cartridge.

THERE IS TONER IN THE PAPER PATH

Contact Customer Support.

Transparency print quality is poor

Try one or more of the following:

CHECK THE TRANSPARENCIES

Use only transparencies recommended by the printer manufacturer.

CHECK THE PAPER TYPE SETTING

Make sure the paper type setting matches the paper loaded in the tray:

- 1 From the printer control panel Paper menu, check the Paper Type setting.
- 2 Before sending the job to print, specify the correct type setting:
 - For Windows users, specify the type from Print Properties.
 - For Macintosh users, specify the type from the Print dialog.

Uneven print density

Example	Cause	Solution
	Toner cartridge is worn or defective.	Replace the toner cartridge.
	Photoconductor is worn or defective.	Replace the photoconductor.

Contacting customer support

When you contact customer support, describe the problem you are experiencing, the printer control panel light sequence, and the troubleshooting steps you have already taken to find a solution.

You need to know your printer model type and serial number. For more information, see the label on the inside top front cover of the printer. The serial number is also listed on the menu settings page.

Lexmark has various ways to help you solve your printing problem. Visit the Lexmark Web site at <http://support.lexmark.com>, and then select one of the following:

Tech Library	You can browse our library of manuals, support documentation, drivers, and other downloads to help you solve common problems.
E-mail	You can send an e-mail to the Lexmark team, describing your problem. A service representative will respond and provide you with information to solve your problem.
Live chat	You can chat directly with a service representative. They can work with you to solve your printer problem or provide assistance through Assisted Service where the service representative can remotely connect to your computer through the Internet to troubleshoot problems, install updates, or complete other tasks to help you successfully use your Lexmark product.

Telephone support is also available. In the U.S. or Canada, call 1-800-539-6275. For other countries or regions, visit the Lexmark Web site at <http://support.lexmark.com>.

Notices

Product information

Product name:

W850

Machine type:

4024

Model(s):

110

Edition notice

December 2012

The following paragraph does not apply to any country where such provisions are inconsistent with local law:
LEXMARK INTERNATIONAL, INC., PROVIDES THIS PUBLICATION "AS IS" WITHOUT WARRANTY OF ANY KIND, EITHER EXPRESS OR IMPLIED, INCLUDING, BUT NOT LIMITED TO, THE IMPLIED WARRANTIES OF MERCHANTABILITY OR FITNESS FOR A PARTICULAR PURPOSE. Some states do not allow disclaimer of express or implied warranties in certain transactions; therefore, this statement may not apply to you.

This publication could include technical inaccuracies or typographical errors. Changes are periodically made to the information herein; these changes will be incorporated in later editions. Improvements or changes in the products or the programs described may be made at any time.

References in this publication to products, programs, or services do not imply that the manufacturer intends to make these available in all countries in which it operates. Any reference to a product, program, or service is not intended to state or imply that only that product, program, or service may be used. Any functionally equivalent product, program, or service that does not infringe any existing intellectual property right may be used instead. Evaluation and verification of operation in conjunction with other products, programs, or services, except those expressly designated by the manufacturer, are the user's responsibility.

For Lexmark technical support, visit support.lexmark.com.

For information on supplies and downloads, visit www.lexmark.com.

If you don't have access to the Internet, you can contact Lexmark by mail:

Lexmark International, Inc.
Bldg 004-2/CSC
740 New Circle Road NW
Lexington, KY 40550
USA

© 2012 Lexmark International, Inc.

All rights reserved.

GOVERNMENT END USERS

The Software Program and any related documentation are "Commercial Items," as that term is defined in 48 C.F.R. 2.101, "Computer Software" and "Commercial Computer Software Documentation," as such terms are used in 48 C.F.R. 12.212 or 48 C.F.R. 227.7202, as applicable. Consistent with 48 C.F.R. 12.212 or 48 C.F.R. 227.7202-1 through 227.7207-4, as applicable, the Commercial Computer Software and Commercial Software Documentation are licensed to the U.S. Government end users (a) only as Commercial Items and (b) with only those rights as are granted to all other end users pursuant to the terms and conditions herein.

Trademarks

Lexmark, Lexmark with diamond design, MarkNet, and MarkVision are trademarks of Lexmark International, Inc., registered in the United States and/or other countries.

MarkTrack and PrintCryption are trademarks of Lexmark International, Inc.

PCL® is a registered trademark of the Hewlett-Packard Company. PCL is Hewlett-Packard Company's designation of a set of printer commands (language) and functions included in its printer products. This printer is intended to be compatible with the PCL language. This means the printer recognizes PCL commands used in various application programs, and that the printer emulates the functions corresponding to the commands.

The following terms are trademarks or registered trademarks of these companies:

Albertus	The Monotype Corporation plc
Antique Olive	Monsieur Marcel OLIVE
Apple-Chancery	Apple Computer, Inc.
Arial	The Monotype Corporation plc
CG Times	Based on Times New Roman under license from The Monotype Corporation plc, is a product of Agfa Corporation
Chicago	Apple Computer, Inc.
Clarendon	Linotype-Hell AG and/or its subsidiaries
Eurostile	Nebiolo
Geneva	Apple Computer, Inc.
GillSans	The Monotype Corporation plc
Helvetica	Linotype-Hell AG and/or its subsidiaries
Hoefler	Jonathan Hoefler Type Foundry
ITC Avant Garde Gothic	International Typeface Corporation
ITC Bookman	International Typeface Corporation
ITC Mona Lisa	International Typeface Corporation
ITC Zapf Chancery	International Typeface Corporation
Joanna	The Monotype Corporation plc
Marigold	Arthur Baker
Monaco	Apple Computer, Inc.

New York	Apple Computer, Inc.
Oxford	Arthur Baker
Palatino	Linotype-Hell AG and/or its subsidiaries
Stempel Garamond	Linotype-Hell AG and/or its subsidiaries
Taffy	Agfa Corporation
Times New Roman	The Monotype Corporation plc
Univers	Linotype-Hell AG and/or its subsidiaries

All other trademarks are the property of their respective owners.

AirPrint and the AirPrint logo are trademarks of Apple, Inc.

Federal Communications Commission (FCC) compliance information statement

This product has been tested and found to comply with the limits for a Class A digital device, pursuant to Part 15 of the FCC Rules. Operation is subject to the following two conditions: (1) this device may not cause harmful interference, and (2) this device must accept any interference received, including interference that may cause undesired operation.

The FCC Class A limits are designed to provide reasonable protection against harmful interference when the equipment is operated in a commercial environment. This equipment generates, uses, and can radiate radio frequency energy and, if not installed and used in accordance with the instruction manual, may cause harmful interference to radio communications. Operation of this equipment in a residential area is likely to cause harmful interference, in which case the user will be required to correct the interference at his own expense.

The manufacturer is not responsible for any radio or television interference caused by using other than recommended cables or by unauthorized changes or modifications to this equipment. Unauthorized changes or modifications could void the user's authority to operate this equipment.

Note: To assure compliance with FCC regulations on electromagnetic interference for a Class A computing device, use a properly shielded and grounded cable such as Lexmark part number 1021231 for parallel attach or 1021294 for USB attach. Use of a substitute cable not properly shielded and grounded may result in a violation of FCC regulations.

Noise emission levels

The following measurements were made in accordance with ISO 7779 and reported in conformance with ISO 9296.

Note: Some modes may not apply to your product.

1-meter average sound pressure, dBA	
Printing	55 dBA
Ready	28 dBA

Values are subject to change. See www.lexmark.com for current values.

Temperature information

Ambient temperature	15–32° C (60–90° F)
Shipping temperature	-40–60° C (-40–140° F)
Storage temperature	1–60° C (34–140° F)

Waste from Electrical and Electronic Equipment (WEEE) directive



The WEEE logo signifies specific recycling programs and procedures for electronic products in countries of the European Union. We encourage the recycling of our products. If you have further questions about recycling options, visit the Lexmark Web site at www.lexmark.com for your local sales office phone number.

Product disposal

Do not dispose of the printer or supplies in the same manner as normal household waste. Consult your local authorities for disposal and recycling options.

ENERGY STAR



Laser notice

The printer is certified in the U.S. to conform to the requirements of DHHS 21 CFR, Chapter I, Subchapter J for Class I (1) laser products, and elsewhere is certified as a Class I laser product conforming to the requirements of IEC 60825-1.

Class I laser products are not considered to be hazardous. The printer contains internally a Class IIIb (3b) laser that is nominally a 7 milliwatt gallium arsenide laser operating in the wavelength of 655-675 nanometers. The laser system and printer are designed so there is never any human access to laser radiation above a Class I level during normal operation, user maintenance, or prescribed service condition.

Laser advisory label

A laser notice label may be affixed to this printer as shown:

DANGER - Invisible laser radiation when cartridges are removed and interlock defeated. Avoid exposure to laser beam.
 PERIGO - Radiação a laser invisível será liberada se os cartuchos forem removidos e o lacre rompido. Evite a exposição aos feixes de laser.
 Opasnost - Nevidljivo lasersko zračenje kada su kasete uklonjene i poništena sigurnosna veza. Izbjegavati izlaganje zracima.
 NEBEZPEČÍ - Když jsou vyjmuty kazety a je odblokována pojistka, ze zařízení je vysíláno neviditelné laserové záření. Nevystavujte se působení laserového paprsku.
 FARE - Usynlig laserstråling, når patroner fjernes, og spærreanordningen er slået fra. Undgå at blive udsat for laserstrålen.
 GEVAAR - Onzichtbare laserstraling wanneer cartridges worden verwijderd en een vergrendeling wordt genegeerd. Voorkom blootstelling aan de laser.
 DANGER - Rayonnements laser invisibles lors du retrait des cartouches et du déverrouillage des loquets. Eviter toute exposition au rayon laser.
 VAARA - Näkymätöntä lasersäteilyä on varottava, kun värikasetit on poistettu ja lukitus on auki. Vältä lasersäteelle altistumista.
 GEFAHR - Unsichtbare Laserstrahlung beim Herausnehmen von Druckkassetten und offener Sicherheitssperre. Laserstrahl meiden.
 ΚΙΝΔΥΝΟΣ - Εκκυσή αόρατης ακτινοβολίας laser κατά την αφαίρεση των κασετών και την απασφάλιση της μανδάλωσης. Αποφεύγετε την έκθεση στην ακτινοβολία laser.
 VESZÉLY - Nem látható lézersugárzás fordulhat elő a patronok eltávolításakor és a zárószervezet felbontásakor. Kerülje a lézersugárnak való kitettséget.
 PERICOLO - Emissione di radiazioni laser invisibili durante la rimozione delle cartucce e del blocco. Evitare l'esposizione al raggio laser.
 FARE – Usynlig laserstråling når kassetene tas ut og sperrer er satt ut av spill. Unngå eksponering for laserstrålen.
 NIEBEZPIECZEŃSTWO - niewidzialne promieniowanie laserowe podczas usuwania kaset i blokady. Należy unikać naświetlenia promieniem lasera.
 ОПАСНО! Невидимое лазерное излучение при извлеченных картриджах и снятии блокировки. Избегайте воздействия лазерных лучей.
 Pozor – Nebezpečnostvo neviditeľného laserového žiarenia pri odobratých kazetách a odblokovanej pojistke. Nevystavujte sa lúčom.
 PELIGRO: Se producen radiaciones láser invisibles al extraer los cartuchos con el interbloqueo desactivado. Evite la exposición al haz de láser.
 FARA – Osynlig laserstrålning när patroner tas ur och spärrmekanismen är upphävd. Undvik exponering för laserstrålen.
 危険 - 当移除碳粉盒及互锁失效时会产生看不见的激光辐射, 请避免暴露在激光光束下。
 危険 - 移除碳粉匣與安全連續開關失效時會產生看不見的雷射輻射。請避免曝露在雷射光束下。
 危険 - カートリッジが取り外され、内部ロックが無効になると、見えないレーザー光が放射されます。このレーザー光に当たらないようにしてください。

Power consumption

Product power consumption

The following table documents the power consumption characteristics of the product.

Note: Some modes may not apply to your product.

Mode	Description	Power consumption (Watts)
Printing	The product is generating hard-copy output from electronic inputs.	700 W
Copying	The product is generating hard-copy output from hard-copy original documents.	NA
Scanning	The product is scanning hard-copy documents.	NA
Ready	The product is waiting for a print job.	105 W
Power Saver	The product is in energy-saving mode.	9 W
Off	The product is plugged into a wall outlet, but the power switch is turned off.	0.6 W

The power consumption levels listed in the previous table represent time-averaged measurements. Instantaneous power draws may be substantially higher than the average.

Values are subject to change. See www.lexmark.com for current values.

Power Saver

This product is designed with an energy-saving mode called Power Saver. The Power Saver Mode is equivalent to the EPA Sleep Mode. The Power Saver Mode saves energy by lowering power consumption during extended periods of inactivity. The Power Saver Mode is automatically engaged after this product is not used for a specified period of time, called the Power Saver Timeout.

Factory default Power Saver Timeout for this product (in minutes):	10
--	----

Off mode

If this product has an off mode which still consumes a small amount of power, then to completely stop product power consumption, disconnect the power supply cord from the wall outlet.

Total energy usage

It is sometimes helpful to calculate the total product energy usage. Since power consumption claims are provided in power units of Watts, the power consumption should be multiplied by the time the product spends in each mode in order to calculate energy usage. The total product energy usage is the sum of each mode's energy usage.

European Community (EC) directives conformity

This product is in conformity with the protection requirements of EC Council directives 2004/108/EC and 2006/95/EC on the approximation and harmonization of the laws of the Member States relating to electromagnetic compatibility and safety of electrical equipment designed for use within certain voltage limits.

The manufacturer of this product is: Lexmark International, Inc., 740 West New Circle Road, Lexington, KY, 40550 USA. The authorized representative is: Lexmark International Technology Hungária Kft., 8 Lechner Ödön fasor, Millennium Tower III, 1095 Budapest HUNGARY, A declaration of conformity to the requirements of the Directives is available upon request from the Authorized Representative.

This product satisfies the Class A limits of EN 55022 and safety requirements of EN 60950.

Industry Canada compliance statement

This Class A digital apparatus meets all requirements of the Canadian Interference-Causing Equipment Standard ICES-003.

Avis de conformité aux normes de l'industrie du Canada

Cet appareil numérique de classe A est conforme aux exigences de la norme canadienne relative aux équipements pouvant causer des interférences NMB-003.

Radio interference notice

Warning

This is a product that complies with the emission requirements of EN55022 Class A limits and immunity requirements of EN55024. This product is not intended to be used in residential/domestic environments.

This is a Class A product. In a domestic environment, this product may cause radio interference, in which case the user may be required to take adequate measures.

CCC EMC notice

声 明

此为 A 级产品，在生活环境中，该产品可能会造成无线电干扰。在这种情况下，可能需要用户对其干扰采取切实可行的措施。

BSMI EMC notice

This is a CNS-13438 EMC Class A product. Please be aware of the notice below:

Warning to user:

This is a Class A ITE. In a residential area, this product may cause radio interference, in which case the user may be required to take adequate measures.

Regulatory notices for wireless products

This section contains the following regulatory information pertaining to wireless products that contain transmitters, for example, but not limited to, wireless network cards or proximity card readers.

Exposure to radio frequency radiation

The radiated output power of this device is far below the radio frequency exposure limits of the FCC and other regulatory agencies. A minimum separation of 20 cm (8 inches) must be maintained between the antenna and any persons for this device to satisfy the RF exposure requirements of the FCC and other regulatory agencies.

Notice to users in Brazil

Este equipamento opera em caráter secundário, isto é, não tem direito a proteção contra interferência prejudicial, mesmo de estações do mesmo tipo, e não pode causar interferência a sistemas operando em caráter primário. (Res. ANATEL 282/2001).

Industry Canada (Canada)

This device complies with Industry Canada specification RSS-210. Operation is subject to the following two conditions: (1) this device may not cause interference, and (2) this device must accept any interference, including interference that may cause undesired operation of the device.

This device has been designed to operate only with the antenna provided. Use of any other antenna is strictly prohibited per regulations of Industry Canada.

To prevent radio interference to the licensed service, this device is intended to be operated indoors and away from windows to provide maximum shielding. Equipment (or its transmit antenna) that is installed outdoors is subject to licensing.

The installer of this radio equipment must ensure that the antenna is located or pointed such that it does not emit RF fields in excess of Health Canada limits for the general population; consult Safety Code 6, obtainable from Health Canada's Web site www.hc-sc.gc.ca/rpb.

The term "IC:" before the certification/registration number only signifies that the Industry Canada technical specifications were met.

Industry Canada (Canada)

Cet appareil est conforme à la norme RSS-210 d'Industry Canada. Son fonctionnement est soumis aux deux conditions suivantes :

(1) cet appareil ne doit pas provoquer d'interférences et (2) il doit accepter toute interférence reçue, y compris celles risquant d'altérer son fonctionnement.

Cet appareil a été conçu pour fonctionner uniquement avec l'antenne fournie. L'utilisation de toute autre antenne est strictement interdite par la réglementation d'Industry Canada.

En application des réglementations d'Industry Canada, l'utilisation d'une antenne de gain supérieur est strictement interdite.

Pour empêcher toute interférence radio au service faisant l'objet d'une licence, cet appareil doit être utilisé à l'intérieur et loin des fenêtres afin de garantir une protection optimale.

Si le matériel (ou son antenne d'émission) est installé à l'extérieur, il doit faire l'objet d'une licence.

L'installateur de cet équipement radio doit veiller à ce que l'antenne soit implantée et dirigée de manière à n'émettre aucun champ HF dépassant les limites fixées pour l'ensemble de la population par Santé Canada. Reportez-vous au Code de sécurité 6 que vous pouvez consulter sur le site Web de Santé Canada www.hc-sc.gc.ca/rpb.

Le terme « IC » précédant le numéro de d'accréditation/inscription signifie simplement que le produit est conforme aux spécifications techniques d'Industry Canada.

Taiwan NCC RF notice statement

NCC型式認證設備注意事項 台灣低功率射頻電機設備之使用注意事項

經型式認證合格之低功率射頻電機，非經許可，公司、商號或使用者均不得擅自變更頻率、加大功率或變更原設計之特性及功能。

低功率射頻電機之使用不得影響飛航安全及干擾合法通信；經發現有干擾現象時，應立即停用，並改善至無干擾時方得繼續使用。前項合法通信，指依電信規定作業之無線電信。低功率射頻電機須忍受合法通信或工業、科學及醫療用電波輻射性電機設備之干擾。

India emissions notice

This device uses very low power low range RF communication that has been tested and found not to cause any interference whatsoever. The manufacturer is not responsible in case of any disputes arising out of requirement of

permissions from any local authority, regulatory bodies or any organization, required by the end-user to install and operate this product at his premises.

भारतीय उत्सर्जन सूचना

यह यंत्र बहुत ही कम शक्ति, कम रेंज के RF कम्युनिकेशन का प्रयोग करता है जिसका परीक्षण किया जा चुका है, और यह पाया गया है कि यह किसी भी प्रकार का व्यवधान उत्पन्न नहीं करता । इसके अंतिम प्रयोक्ता द्वारा इस उत्पाद को अपने प्रांगण में स्थापित एवं संचालित करने हेतु किसी स्थानीय प्राधिकरण, नियामक निकायों या किसी संगठन से अनुज्ञा प्राप्त करने की जरूरत के संबंध में उठे विवाद की स्थिति में विनिर्माता जिम्मेदार नहीं है।

Notice to users in the European Union

Products bearing the CE mark are in conformity with the protection requirements of EC Council directives 2004/108/EC, 2006/95/EC, and 1999/5/EC on the approximation and harmonization of the laws of the Member States relating to electromagnetic compatibility, safety of electrical equipment designed for use within certain voltage limits, and on radio equipment and telecommunications terminal equipment.

Compliance is indicated by the CE marking.



The manufacturer of this product is: Lexmark International, Inc., 740 West New Circle Road, Lexington, KY, 40550 USA. The authorized representative is: Lexmark International Technology Hungária Kft., 8 Lechner Ödön fasor, Millennium Tower III, 1095 Budapest HUNGARY, A declaration of conformity to the requirements of the Directives is available upon request from the Authorized Representative.

This product satisfies the Class A limits of EN 55022 and safety requirements of EN 60950.

Products equipped with 2.4GHz Wireless LAN option are in conformity with the protection requirements of EC Council directives 2004/108/EC, 2006/95/EC, and 1999/5/EC on the approximation and harmonization of the laws of the Member States relating to electromagnetic compatibility, safety of electrical equipment designed for use within certain voltage limits and on radio equipment and telecommunications terminal equipment.

Compliance is indicated by the CE marking.



Operation is allowed in all EU and EFTA countries, but is restricted to indoor use only.

The manufacturer of this product is: Lexmark International, Inc., 740 West New Circle Road, Lexington, KY, 40550 USA. The authorized representative is: Lexmark International Technology Hungária Kft., 8 Lechner Ödön fasor, Millennium Tower III, 1095 Budapest HUNGARY, A declaration of conformity to the requirements of the Directives is available upon request from the Authorized Representative.

Česky	Společnost Lexmark International, Inc. tímto prohlašuje, že výrobek tento výrobek je ve shodě se základními požadavky a dalšími příslušnými ustanoveními směrnice 1999/5/ES.
Dansk	Lexmark International, Inc. erklærer herved, at dette produkt overholder de væsentlige krav og øvrige relevante krav i direktiv 1999/5/EF.

Deutsch	Hiermit erklärt Lexmark International, Inc., dass sich das Gerät dieses Gerät in Übereinstimmung mit den grundlegenden Anforderungen und den übrigen einschlägigen Bestimmungen der Richtlinie 1999/5/EG befindet.
Ελληνική	ΜΕ ΤΗΝ ΠΑΡΟΥΣΑ Η LEXMARK INTERNATIONAL, INC. ΔΗΛΩΝΕΙ ΟΤΙ ΑΥΤΟ ΤΟ ΠΡΟΪΟΝ ΣΥΜΜΟΡΦΩΝΕΤΑΙ ΠΡΟΣ ΤΙΣ ΟΥΣΙΩΔΕΙΣ ΑΠΑΙΤΗΣΕΙΣ ΚΑΙ ΤΙΣ ΛΟΙΠΕΣ ΣΧΕΤΙΚΕΣ ΔΙΑΤΑΞΕΙΣ ΤΗΣ ΟΔΗΓΙΑΣ 1999/5/ΕΚ.
English	Hereby, Lexmark International, Inc., declares that this type of equipment is in compliance with the essential requirements and other relevant provisions of Directive 1999/5/EC.
Español	Por medio de la presente, Lexmark International, Inc. declara que este producto cumple con los requisitos esenciales y cualesquiera otras disposiciones aplicables o exigibles de la Directiva 1999/5/CE.
Eesti	Käesolevaga kinnitab Lexmark International, Inc., et seade see toode vastab direktiivi 1999/5/EÜ põhinõuetele ja nimetatud direktiivist tulenevatele muudele asjakohastele sätetele.
Suomi	Lexmark International, Inc. vakuuttaa täten, että tämä tuote on direktiivin 1999/5/EY oleellisten vaatimusten ja muiden sitä koskevien direktiivin ehtojen mukainen.
Français	Par la présente, Lexmark International, Inc. déclare que l'appareil ce produit est conforme aux exigences fondamentales et autres dispositions pertinentes de la directive 1999/5/CE.
Magyar	Alulírott, Lexmark International, Inc. nyilatkozom, hogy a termék megfelel a vonatkozó alapvető követelményeknek és az 1999/5/EC irányelv egyéb előírásainak.
Íslenska	Hér með lýsir Lexmark International, Inc. yfir því að þessi vara er í samræmi við grunnkröfur og aðrar kröfur, sem gerðar eru í tilskipun 1999/5/EC.
Italiano	Con la presente Lexmark International, Inc. dichiara che questo questo prodotto è conforme ai requisiti essenziali ed alle altre disposizioni pertinenti stabilite dalla direttiva 1999/5/CE.
Latviski	Ar šo Lexmark International, Inc. deklarē, ka šis izstrādājums atbilst Direktīvas 1999/5/EK būtiskajām prasībām un citiem ar to saistītajiem noteikumiem.
Lietuvių	Šiuo Lexmark International, Inc. deklaruoją, kad šis produktas atitinka esminius reikalavimus ir kitas 1999/5/EB direktyvos nuostatas.
Malti	Bil-preżenti, Lexmark International, Inc., jiddikjara li dan il-prodott huwa konformi mal-ħtiġijiet essenzjali u ma dispożizzjonijiet oħrajn relevanti li jinsabu fid-Direttiva 1999/5/KE.
Nederlands	Hierbij verklaart Lexmark International, Inc. dat het toestel dit product in overeenstemming is met de essentiële eisen en de andere relevante bepalingen van richtlijn 1999/5/EG.
Norsk	Lexmark International, Inc. erklærer herved at dette produktet er i samsvar med de grunnleggende krav og øvrige relevante krav i direktiv 1999/5/EF.
Polski	Niniejszym Lexmark International, Inc. oświadcza, że niniejszy produkt jest zgodny z zasadniczymi wymogami oraz pozostałymi stosownymi postanowieniami Dyrektywy 1999/5/EC.
Português	A Lexmark International Inc. declara que este este produto está conforme com os requisitos essenciais e outras disposições da Diretiva 1999/5/CE.
Slovensky	Lexmark International, Inc. týmto vyhlasuje, že tento produkt spĺňa základné požiadavky a všetky príslušné ustanovenia smernice 1999/5/ES.
Slovensko	Lexmark International, Inc. izjavlja, da je ta izdelek v skladu z bistvenimi zahtevami in ostalimi relevantnimi določili direktive 1999/5/ES.
Svenska	Härmed intygar Lexmark International, Inc. att denna produkt står i överensstämmelse med de väsentliga egenskapskrav och övriga relevanta bestämmelser som framgår av direktiv 1999/5/EG.

STATEMENT OF LIMITED WARRANTY FOR LEXMARK LASER PRINTERS, LEXMARK LED PRINTERS, AND LEXMARK MULTIFUNCTION LASER PRINTERS

Lexmark International, Inc., Lexington, KY

This limited warranty applies to the United States and Canada. For customers outside the U.S., refer to the country-specific warranty information that came with your product.

This limited warranty applies to this product only if it was originally purchased for your use, and not for resale, from Lexmark or a Lexmark Remarketer, referred to in this statement as "Remarketer."

Limited warranty

Lexmark warrants that this product:

- Is manufactured from new parts, or new and serviceable used parts, which perform like new parts
- Is, during normal use, free from defects in material and workmanship

If this product does not function as warranted during the warranty period, contact a Remarketer or Lexmark for repair or replacement (at Lexmark's option).

If this product is a feature or option, this statement applies only when that feature or option is used with the product for which it was intended. To obtain warranty service, you may be required to present the feature or option with the product.

If you transfer this product to another user, warranty service under the terms of this statement is available to that user for the remainder of the warranty period. You should transfer proof of original purchase and this statement to that user.

Limited warranty service

The warranty period starts on the date of original purchase as shown on the purchase receipt and ends 12 months later provided that the warranty period for any supplies and for any maintenance items included with the printer shall end earlier if it, or its original contents, are substantially used up, depleted, or consumed. Fuser Units, Transfer/Transport Units, Paper Feed items, if any, and any other items for which a Maintenance Kit is available are substantially consumed when the printer displays a "Life Warning" or "Scheduled Maintenance" message for such item.

To obtain warranty service you may be required to present proof of original purchase. You may be required to deliver your product to the Remarketer or Lexmark, or ship it prepaid and suitably packaged to a Lexmark designated location. You are responsible for loss of, or damage to, a product in transit to the Remarketer or the Lexmark designated location.

When warranty service involves the exchange of a product or part, the item replaced becomes the property of the Remarketer or Lexmark. The replacement may be a new or repaired item.

The replacement item assumes the remaining warranty period of the original product.

Replacement is not available to you if the product you present for exchange is defaced, altered, in need of a repair not included in warranty service, damaged beyond repair, or if the product is not free of all legal obligations, restrictions, liens, and encumbrances.

As part of your warranty service and/or replacement, Lexmark may update the firmware in your printer to the latest version. Firmware updates may modify printer settings and cause counterfeit and/or unauthorized products, supplies, parts, materials (such as toners and inks), software, or interfaces to stop working. Authorized use of genuine Lexmark products will not be impacted.

Before you present this product for warranty service, remove all print cartridges, programs, data, and removable storage media (unless directed otherwise by Lexmark).

For further explanation of your warranty alternatives and the nearest Lexmark authorized servicer in your area contact Lexmark on the World Wide Web.

Remote technical support is provided for this product throughout its warranty period. For products no longer covered by a Lexmark warranty, technical support may not be available or only be available for a fee.

Extent of limited warranty

Lexmark does not warrant uninterrupted or error-free operation of any product or the durability or longevity of prints produced by any product.

Warranty service does not include repair of failures caused by:

- Modification or unauthorized attachments
- Accidents, misuse, abuse or use inconsistent with Lexmark user's guides, manuals, instructions or guidance
- Unsuitable physical or operating environment
- Maintenance by anyone other than Lexmark or a Lexmark authorized servicer
- Operation of a product beyond the limit of its duty cycle
- Use of printing media outside of Lexmark specifications
- Refurbishment, repair, refilling or remanufacture by a third party of products, supplies or parts
- Products, supplies, parts, materials (such as toners and inks), software, or interfaces not furnished by Lexmark

TO THE EXTENT PERMITTED BY APPLICABLE LAW, NEITHER LEXMARK NOR ITS THIRD PARTY SUPPLIERS OR REMARKETERS MAKE ANY OTHER WARRANTY OR CONDITION OF ANY KIND, WHETHER EXPRESS OR IMPLIED, WITH RESPECT TO THIS PRODUCT, AND SPECIFICALLY DISCLAIM THE IMPLIED WARRANTIES OR CONDITIONS OF MERCHANTABILITY, FITNESS FOR A PARTICULAR PURPOSE, AND SATISFACTORY QUALITY. ANY WARRANTIES THAT MAY NOT BE DISCLAIMED UNDER APPLICABLE LAW ARE LIMITED IN DURATION TO THE WARRANTY PERIOD. NO WARRANTIES, EXPRESS OR IMPLIED, WILL APPLY AFTER THIS PERIOD. ALL INFORMATION, SPECIFICATIONS, PRICES, AND SERVICES ARE SUBJECT TO CHANGE AT ANY TIME WITHOUT NOTICE.

Limitation of liability

Your sole remedy under this limited warranty is set forth in this document. For any claim concerning performance or nonperformance of Lexmark or a Remarketer for this product under this limited warranty, you may recover actual damages up to the limit set forth in the following paragraph.

Lexmark's liability for actual damages from any cause whatsoever will be limited to the amount you paid for the product that caused the damages. This limitation of liability will not apply to claims by you for bodily injury or damage to real property or tangible personal property for which Lexmark is legally liable. **IN NO EVENT WILL LEXMARK BE LIABLE FOR ANY LOST PROFITS, LOST SAVINGS, INCIDENTAL DAMAGE, OR OTHER ECONOMIC OR CONSEQUENTIAL DAMAGES.** This is true even if you advise Lexmark or a Remarketer of the possibility of such damages. Lexmark is not liable for any claim by you based on a third party claim.

This limitation of remedies also applies to claims against any Suppliers and Remarketers of Lexmark. Lexmark's and its Suppliers' and Remarketers' limitations of remedies are not cumulative. Such Suppliers and Remarketers are intended beneficiaries of this limitation.

Additional rights

Some states do not allow limitations on how long an implied warranty lasts, or do not allow the exclusion or limitation of incidental or consequential damages, so the limitations or exclusions contained above may not apply to you.

This limited warranty gives you specific legal rights. You may also have other rights that vary from state to state.

Patent acknowledgment

The use of this product or service is subject to the reasonable, non-discriminatory terms in the Intellectual Property Rights (IPR) Disclosure of Certicom Corp. at the IETF for Elliptic Curve Cryptography (ECC) Cipher Suites for Transport Layer Security (TLS) implemented in the product or service.

The use of this product or service is subject to the reasonable, non-discriminatory terms in the Intellectual Property Rights (IPR) Disclosure of Certicom Corp. at the IETF for TLS Elliptic Curve Cipher Suites with SHA-256/382 and AES Galois Counter Mode (GCM) implemented in the product or service.

The use of this product or service is subject to the reasonable, non-discriminatory terms in the Intellectual Property Rights (IPR) Disclosure of Certicom Corp. at the IETF for TLS Suite B Profile for Transport Layer Security (TLS) implemented in the product or service.

The use of this product or service is subject to the reasonable, non-discriminatory terms in the Intellectual Property Rights (IPR) Disclosure of Certicom Corp. at the IETF for Addition of the Camellia Cipher Suites to Transport Layer Security (TLS) implemented in the product or service.

The use of certain patents in this product or service is subject to the reasonable, non-discriminatory terms in the Intellectual Property Rights (IPR) Disclosure of Certicom Corp. at the IETF for AES-CCM ECC Cipher Suites for TLS implemented in the product or service.

The use of this product or service is subject to the reasonable, non-discriminatory terms in the Intellectual Property Rights (IPR) Disclosure of Certicom Corp. at the IETF for IKE and IKEv2 Authentication Using the Elliptic Curve Digital Signature Algorithm (ECDSA) implemented in the product or service.

The use of this product or service is subject to the reasonable, non-discriminatory terms in the Intellectual Property Rights (IPR) Disclosure of Certicom Corp. at the IETF for Suite B Cryptographic Suites for IPsec implemented in the product or service.

The use of this product or service is subject to the reasonable, non-discriminatory terms in the Intellectual Property Rights (IPR) Disclosure of Certicom Corp. at the IETF for Algorithms for Internet Key Exchange version 1 (IKEv1) implemented in the product or service.

Index

Numerics

- 1,150--sheet tray
 - loading 49
 - 1565 Emulation error, load emulation option 152
 - 2,000-sheet dual input trays
 - installing 25
 - loading 49
 - 2,000-sheet high capacity feeder
 - installing 25
 - 2000-sheet high capacity feeder
 - loading 47
 - 30 Invalid refill, change cartridge 144
 - 31.yy Replace defective or missing cartridge 144
 - 32 Cartridge part number unsupported by device 145
 - 34 Incorrect media, check <input src> guides 145
 - 34 Short paper 145
 - 35 Insufficient memory to support Resource Save feature 145
 - 37 Insufficient memory for Flash Memory Defragment operation 146
 - 37 Insufficient memory to collate job 146
 - 37 Insufficient memory, some held jobs deleted 146
 - 37 Insufficient memory, some held jobs will not be restored 146
 - 38 Memory full 146
 - 39 Complex page, some data may not have printed 147
 - 50 PPDS font error 147
 - 500-sheet tray (standard or optional)
 - loading 44
 - 500-sheet trays
 - installing 25
 - 51 Defective flash detected 147
 - 52 Not enough free space in flash memory for resources 147
 - 53 Unformatted flash detected 148
 - 54 Network <x> software error 148
 - 54 Serial option <x> error 148
 - 55 Unsupported option in slot 148
 - 56 Parallel port <x> disabled 149
 - 56 Serial port <x> disabled 149
 - 56 Standard parallel port disabled 149
 - 56 Standard USB port disabled 149
 - 56 USB port <x> disabled 149
 - 57 Configuration change, some held jobs were not restored 150
 - 58 Too many disks installed 150
 - 58 Too many flash options installed 150
 - 61 Defective disk 150
 - 62 Disk full 151
 - 63 Unformatted disk 151
 - 80 Routine maintenance needed 151
 - 84 Insert photoconductor 151
 - 84 Photoconductor abnormal 151
 - 84 Photoconductor low 151
 - 84 Replace photoconductor 151
 - 850-sheet tray
 - loading 49
 - 88 Cartridge low 151
 - 88 Replace cartridge to continue 152
 - 88.yy Replace cartridge 152
- A**
- A4-size paper
 - loading 54
 - access panel
 - reinstalling 23
 - Active NIC menu 89
 - adjusting toner darkness 77
 - An error has occurred with the flash drive 137
 - AppleTalk menu 95
 - attaching cables 26
- B**
- Bin Setup menu 87
 - buttons, printer control panel 10
- C**
- cables
 - Ethernet 26
 - USB 26
 - canceling
 - print job, from computer 74
 - canceling a job
 - from the printer control panel 74
 - canceling a print job
 - from a computer 74
 - card stock
 - loading 51
 - tips 69
 - Change <input src> to <Custom String> 138
 - Change <input src> to <Custom String> load <orientation> 139
 - Change <input src> to <Custom Type Name> 138
 - Change <input src> to <Custom Type Name> load <orientation> 138
 - Change <input src> to <size> 139
 - Change <input src> to <size> load <orientation> 139
 - Change <input src> to <type> <size> 140
 - Change <input src> to <type> <size> load <orientation> 140
 - Check <input src> guides 140
 - Check <input src> orientation or guides 140
 - checking an unresponsive printer 137
 - checking device status
 - on Embedded Web Server 135
 - checking virtual display
 - on Embedded Web Server 134
 - cleaning
 - exterior of the printer 122
 - clearing jams
 - 289 staple error 170
 - Close cover <x> 141
 - Close door <x> 141
 - Close surface H 141
 - Confidential print jobs 69
 - printing from Macintosh computer 70
 - printing from Windows 70
 - Confidential Print menu 99
 - configuration information
 - wireless network 30

- configurations
 - printer 9
 - Configure MP menu 82
 - configuring port settings 38
 - conservation settings
 - Quiet Mode 13
 - conserving supplies 122
 - contacting customer support 195
 - control panel, printer 10
 - Custom Type <x>
 - changing name 57
 - Custom Types menu 86
 - customer support
 - contacting 195
- D**
- Default Source menu 79
 - directory list
 - printing 73
 - Disk Corrupted 141
 - Disk Wiping menu 100
 - display troubleshooting
 - display is blank 176
 - display shows only diamonds 176
 - display, printer control panel 10
 - documents, printing
 - from Macintosh 65
 - from Windows 65
 - duplex unit
 - installing 25
- E**
- Embedded Web Server 134
 - administrator settings 134
 - checking device status 135
 - does not open 137
 - networking settings 134
 - setting up e-mail alerts 135
 - Embedded Web Server Administrator's Guide 134
 - emission
 - notices 198, 201, 202, 203, 204
 - Empty hole punch box 141
 - envelopes
 - loading 51
 - tips 68
 - environmental settings
 - Quiet Mode 13
 - Ethernet network setup
 - using Macintosh 35
 - using Windows 35
- Ethernet networking
 - Macintosh 35
 - Windows 35
 - Ethernet port 26
 - exit bins
 - linking 55
 - exterior of the printer
 - cleaning 122
 - e-mail
 - notice of low supply level 135
 - notice of paper jam 135
 - notice of paper needed 135
 - notice that different paper is needed 135
- F**
- factory defaults, restoring 136
 - FCC notices 198, 202
 - finding more information about the printer 7
 - finisher
 - finishing features 75
 - supported paper sizes 75
 - Finishing menu 108
 - firmware card
 - installing 19
 - flash drive 72
 - Flash Drive menu 118
 - flash memory card
 - installing 19
 - troubleshooting 182
 - font sample list
 - printing 73
- G**
- General Settings menu 102
- H**
- hard disk
 - installing 21
 - hard disk with adapter
 - troubleshooting 182
 - held jobs 69
 - printing from Macintosh computer 70
 - printing from Windows 70
 - Held jobs were not restored 141
 - Help menu 120
 - HTML menu 116
- I**
- Image menu 117
 - Insert hole punch box 142
 - Insert tray <x> 141
 - installing on a wireless network
 - using Windows 31
 - installing options
 - order of installation 24
 - installing printer
 - on wireless network 31
 - installing printer on a network
 - Ethernet networking 35
 - installing printer on a wireless network
 - using Macintosh 32
 - installing printer software
 - adding options 29
 - installing printer software (Windows) 28
 - internal print server
 - installing 20
 - troubleshooting 182
 - Internal Solutions Port
 - changing port settings 38
 - troubleshooting 182
 - IPv6 menu 93
- J**
- jams
 - avoiding 152
 - locating jam areas 153
 - locations 153
 - numbers 153
 - jams, clearing
 - 200–201 154
 - 202 155
 - 203 156
 - 230 156
 - 231 156
 - 241 162
 - 24x 162
 - 250 168
 - 280–281 168
 - 282 168
 - 283 170
 - 284 173
 - 285–286 173
 - 287–288 173

L

labels, paper
tips 68

letterhead
loading, 2000-sheet high capacity feeder 47
loading, multipurpose tray 65
loading, trays 65
tips 65

letterhead, printing on
for Macintosh users 65
for Windows users 65

letter-size paper
loading 54

LexLink menu 96

linking
exit bins 55

linking trays 55

Load <input src> with <Custom String> 142

Load <input src> with <Custom Type Name> 142

Load <input src> with <size> 142

Load <input src> with <type> <size> 142

Load Manual Feeder with <Custom String> 143

Load Manual Feeder with <Custom Type Name> 142

Load Manual Feeder with <size> 143

Load Manual Feeder with <type> <size> 143

Load staples 143

loading
1,150-sheet tray 49
2,000-sheet dual input trays 49
2000-sheet high capacity feeder 47
500-sheet tray (standard or optional) 44
850-sheet tray 49
card stock 51
envelopes 51
letterhead in 2000-sheet high capacity feeder 47
letterhead in multipurpose tray 65
letterhead in trays 65
letter- or A4-size paper 54
multipurpose feeder 51

short-edge orientation 54
transparencies 51

M

maintenance kit
ordering 124

memory card
installing 17
troubleshooting 182

menu settings page
printing 27

menus
Active NIC 89
AppleTalk 95
Bin Setup 87
Confidential Print 99
Configure MP 82
Custom Types 86
Default Source 79
diagram of 78
Disk Wiping 100
Finishing 108
Flash Drive 118
General Settings 102
Help 120
HTML 116
Image 117
IPv6 93
LexLink 96
Miscellaneous 99
NetWare 95
Network <x> 90
Network Card 92
Network Reports 91
Paper Loading 85
Paper Size/Type 79
Paper Texture 83
PCL Emul 113
PDF 113
PostScript 113
Quality 110
Reports 88
Security Audit Log 101
Set Date/Time 102
Setup 105
SMTP Setup menu 97
Standard Network 90
Standard USB 96
Substitute Size 83
TCP/IP 92
Universal Setup 86
Utilities 111

Wireless 94
XPS 112

Miscellaneous menu 99

mobile device
printing from 71

moving the printer 130, 133

multipurpose feeder
loading 51

N

NetWare menu 95

Network <x> menu 90

Network Card menu 92

Network Reports menu 91

network setup page
printing 28

Networking Guide 134

noise emission levels 198

notices 197, 198, 199, 200, 201, 202, 203, 204

O

options
2,000-sheet dual input trays 25
2,000-sheet high capacity feeder 25
500-sheet trays 25
duplex unit 25
fax card 15
firmware card 19
firmware cards 15
flash memory card 19
hard disk 21
internal 15
internal print server 20
memory card 17
memory cards 15
networking 15
port interface card 20
ports 15
updating in printer driver 29

ordering
maintenance kit 124
staple cartridges 124
toner cartridges 123

ordering supplies 123

P

paper
A5 46
B5 46

- characteristics 58
- Executive 46
- finishing features 75
- letterhead 59
- preprinted forms 59
- recycled 12
- selecting 59
- setting size 42
- setting type 42
- Statement 46
- storing 60
- unacceptable 59
- Universal Paper Size 86
- Universal size setting 43
- paper and specialty media, loading
 - paper size, detecting 42
- paper feed troubleshooting
 - message remains after jam is cleared 183
 - page that jammed does not reprint 183
- paper jams
 - avoiding 152
- paper jams, clearing
 - 200–201 154
 - 202 155
 - 203 156
 - 230 156
 - 231 156
 - 241 162
 - 24x 162
 - 250 168
 - 280–281 168
 - 282 168
 - 283 170
 - 284 173
 - 285–286 173
 - 287–288 173
- Paper Loading menu 85
- paper size, detecting
 - size sensing 42
- Paper Size/Type menu 79
- paper sizes, supported 60
- Paper Texture menu 83
- paper types
 - supported by printer 63
 - where to load 63
- paper weights
 - supported by printer 63
- PCL Emul menu 113
- PDF menu 113
- photoconductor
 - replacing 127
- photoconductor kit
 - ordering 124
- port interface card 20
- port settings
 - configuring 38
- PostScript menu 113
- Power Saver
 - adjusting 12
- print job
 - canceling from the printer control panel 74
 - canceling, from computer 74
- print quality test pages
 - printing 74
- print quality troubleshooting
 - blank pages 184
 - clipped images 185
 - ghost images 185
 - gray background 186
 - poor transparency quality 194
 - print irregularities 187
 - print is too dark 188
 - print is too light 189
 - print quality test pages 184
 - repeating defects 190
 - skewed print 190
 - solid black streaks 190
 - solid white streaks 190
 - streaked horizontal lines 191
 - streaked vertical lines 192
 - toner fog or background shading 192
 - toner rubs off 193
 - toner specks 194
 - uneven print density 194
- print troubleshooting
 - error reading USB drive 177
 - held jobs do not print 178
 - incorrect characters print 179
 - incorrect margins 186
 - job prints from wrong tray 178
 - job prints on wrong paper 178
 - job takes longer than expected 178
 - jobs do not print 177
 - Large jobs do not collate 179
 - multiple-language PDFs do not print 176
 - paper curl 187
 - paper frequently jams 183
 - tray linking does not work 179
 - unexpected page breaks occur 179
- printer
 - configurations 9
 - minimum clearances 8
 - models 9
 - moving 130, 133
 - selecting a location 8
 - shipping 133
- printer control panel 10
 - factory defaults, restoring 136
- printer information
 - where to find 7
- printer messages
 - 1565 Emulation error, load emulation option 152
 - 30 Invalid refill, change cartridge 144
 - 31.yy Replace defective or missing cartridge 144
 - 32 Cartridge part number unsupported by device 145
 - 34 Incorrect media, check <input src> guides 145
 - 34 Short paper 145
 - 35 Insufficient memory to support Resource Save feature 145
 - 37 Insufficient memory for Flash Memory Defragment operation 146
 - 37 Insufficient memory to collate job 146
 - 37 Insufficient memory, some held jobs deleted 146
 - 37 Insufficient memory, some held jobs will not be restored 146
 - 38 Memory full 146
 - 39 Complex page, some data may not have printed 147
 - 50 PPDS font error 147
 - 51 Defective flash detected 147
 - 52 Not enough free space in flash memory for resources 147
 - 53 Unformatted flash detected 148
 - 54 Network <x> software error 148
 - 54 Serial option <x> error 148
 - 55 Unsupported option in slot 148
 - 56 Parallel port <x> disabled 149

- 56 Serial port <x> disabled 149
 - 56 Standard parallel port disabled 149
 - 56 Standard USB port disabled 149
 - 56 USB port <x> disabled 149
 - 57 Configuration change, some held jobs were not restored 150
 - 58 Too many disks installed 150
 - 58 Too many flash options installed 150
 - 61 Defective disk 150
 - 62 Disk full 151
 - 63 Unformatted disk 151
 - 80 Routine maintenance needed 151
 - 84 Insert photoconductor 151
 - 84 Photoconductor abnormal 151
 - 84 Photoconductor low 151
 - 84 Replace photoconductor 151
 - 88 Cartridge low 125, 151
 - 88 Replace cartridge to continue 125, 152
 - 88.yy Replace cartridge 125, 152
 - an error has occurred with the flash drive 137
 - Change <input src> to <Custom String> 138
 - Change <input src> to <Custom String> load <orientation> 139
 - Change <input src> to <Custom Type Name> 138
 - Change <input src> to <Custom Type Name> load <orientation> 138
 - Change <input src> to <size> 139
 - Change <input src> to <size> load <orientation> 139
 - Change <input src> to <type> <size> 140
 - Change <input src> to <type> <size> load <orientation> 140
 - Check <input src> guides 140
 - Check <input src> orientation or guides 140
 - Close cover <x> 141
 - Close door <x> 141
 - Close surface H 141
 - Disk Corrupted 141
 - Empty hole punch box 141
 - Held jobs were not restored 141
 - Insert hole punch box 142
 - Insert tray <x> 141
 - Load <input src> with <Custom String> 142
 - Load <input src> with <Custom Type Name> 142
 - Load <input src> with <size> 142
 - Load <input src> with <type> <size> 142
 - Load Manual Feeder with <Custom String> 143
 - Load Manual Feeder with <Custom Type Name> 142
 - Load Manual Feeder with <size> 143
 - Load Manual Feeder with <type> <size> 143
 - Load staples 143
 - Remove paper from <linked set bin name> 144
 - Remove paper from all bins 144
 - Remove paper from bin <x> 144
 - Remove paper from standard output bin 144
 - Restore Held Jobs? 144
 - Unsupported finisher, please remove 144
 - printer options troubleshooting
 - 2,000-sheet drawer 181
 - flash memory card 182
 - hard disk with adapter 182
 - internal print server 182
 - Internal Solutions Port 182
 - memory card 182
 - option not working 180
 - paper trays 181
 - USB/parallel interface card 182
 - printer problems, solving basic 137
 - printer software, installing (Windows) 28
 - printing
 - directory list 73
 - font sample list 73
 - from a mobile device 71
 - from flash drive 72
 - from Macintosh 65
 - from Windows 65
 - menu settings page 27
 - network setup page 28
 - print quality test pages 74
 - printing confidential and other held jobs
 - from Macintosh computer 70
 - from Windows 70
 - printing from a mobile device 71
 - printing on
 - A5 paper 46
 - B5 paper 46
 - Executive paper 46
 - Statement paper 46
 - publications
 - where to find 7
- Q**
- Quality menu 110
 - Quiet Mode 13
- R**
- recycled paper
 - using 12
 - recycling
 - Lexmark products 14
 - WEEE statement 199
 - reducing noise 13
 - Remove paper from <linked set bin name> 144
 - Remove paper from all bins 144
 - Remove paper from bin <x> 144
 - Remove paper from standard output bin 144
 - removing the optional trays 130
 - Repeat print jobs 69
 - printing from Macintosh computer 70
 - printing from Windows 70
 - replacing
 - photoconductor 127
 - reports
 - viewing 135
 - Reports menu 88
 - Reserve print jobs 69
 - printing from Macintosh computer 70
 - printing from Windows 70
 - Restore Held Jobs? 144
- S**
- safety information 5, 6
 - Security Audit Log menu 101
 - serial printing
 - setting up 39
 - Set Date/Time menu 102
 - setting
 - paper size 42

- paper type 42
- TCP/IP address 92
- Universal Paper Size 43
- setting up serial printing 39
- setting up the printer
 - on an Ethernet network (Macintosh only) 35
 - on an Ethernet network (Windows only) 35
- Setup menu 105
- shipping the printer 133
- SMTP Setup menu 97
- Standard Network menu 90
- standard tray
 - loading 44
- Standard USB menu 96
- staple cartridges
 - ordering 124
- staple jam
 - 289 staple error 170
- status of supplies, checking 123
- storing
 - paper 60
 - supplies 122
- Substitute Size menu 83
- supplies
 - conserving 122
 - status of 123
 - storing 122
- supplies, ordering 123
 - maintenance kit 124
 - photoconductor kit 124
 - staple cartridges 124
 - toner cartridges 123
- system board
 - accessing 16

T

- TCP/IP menu 92
- tips
 - card stock 69
 - envelopes 68
 - labels, paper 68
 - letterhead 65
 - transparencies 67
- toner cartridges
 - ordering 123
 - replacing 125
- toner darkness
 - adjusting 77
- transparencies
 - loading 51

- tips 67
- tray linking 56, 57
- tray unlinking 56, 57
- trays
 - linking 55, 56
 - unlinking 55, 56
- troubleshooting
 - checking an unresponsive printer 137
 - solving basic printer problems 137
- troubleshooting, display
 - display is blank 176
 - display shows only diamonds 176
- troubleshooting, paper feed
 - message remains after jam is cleared 183
 - page that jammed does not reprint 183
- troubleshooting, print
 - error reading USB drive 177
 - held jobs do not print 178
 - incorrect characters print 179
 - incorrect margins 186
 - job prints from wrong tray 178
 - job prints on wrong paper 178
 - job takes longer than expected 178
 - jobs do not print 177
 - Large jobs do not collate 179
 - multiple-language PDFs do not print 176
 - paper curl 187
 - paper frequently jams 183
 - tray linking does not work 179
 - unexpected page breaks occur 179
- troubleshooting, print quality
 - blank pages 184
 - clipped images 185
 - ghost images 185
 - gray background 186
 - poor transparency quality 194
 - print irregularities 187
 - print is too dark 188
 - print is too light 189
 - print quality test pages 184
 - repeating defects 190
 - skewed print 190
 - solid black streaks 190
 - solid white streaks 190
 - streaked horizontal lines 191

- streaked vertical lines 192
- toner fog or background shading 192
- toner rubs off 193
- toner specks 194
- uneven print density 194
- troubleshooting, printer options
 - 2,000-sheet drawer 181
 - flash memory card 182
 - hard disk with adapter 182
 - internal print server 182
 - Internal Solutions Port 182
 - memory card 182
 - option not working 180
 - paper trays 181
 - USB/parallel interface card 182

U

- Universal Paper Size
 - setting 43
- Universal Setup menu 86
- unlinking trays 55
- Unsupported finisher, please remove 144
- updating options in printer driver 29
- USB port 26
- Utilities menu 111

V

- Verify print jobs 69
 - printing from Macintosh computer 70
 - printing from Windows 70
- viewing
 - reports 135
- virtual display
 - how to access 134

W

- Wireless menu 94
- wireless network
 - configuration information 30
 - installation, using Macintosh 32
 - installation, using Windows 31
- wireless network setup
 - in Windows 31
- wireless printer setup
 - in Macintosh 32

X

XPS menu 112

Free Manuals Download Website

<http://myh66.com>

<http://usermanuals.us>

<http://www.somanuals.com>

<http://www.4manuals.cc>

<http://www.manual-lib.com>

<http://www.404manual.com>

<http://www.luxmanual.com>

<http://aubethermostatmanual.com>

Golf course search by state

<http://golfingnear.com>

Email search by domain

<http://emailbydomain.com>

Auto manuals search

<http://auto.somanuals.com>

TV manuals search

<http://tv.somanuals.com>