

Lexmark™ X342 Clearing Jams Guide

Avoiding jams

The following hints can help you avoid jams:

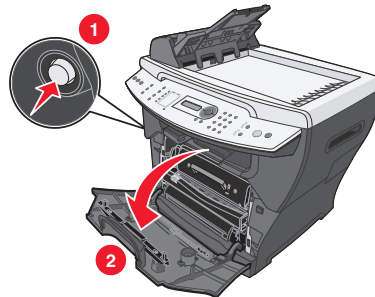
- Use only recommended print media.
- Do not overload the print media sources. Make sure the stack height does not exceed the maximum height indicated by the stack line on the labels in the sources.
- Do not load wrinkled, creased, damp, or curled print media.
- Flex, fan, and straighten print media before you load it. If jams do occur with print media, try feeding one sheet at a time through the multipurpose feeder.
- Do not use print media that you have cut or trimmed yourself.
- Do not mix print media sizes, weights, or types in the same print media source.
- Make sure the recommended print side is loaded in the source according to your simplex or duplex needs.
- Keep print media stored in an acceptable environment.
- Do not remove trays during a print job.
- Push all trays in firmly after loading them.
- Make sure the guides in the trays are properly positioned for the size of print media you have loaded. Make sure the guides are not placed too tightly against the stack of print media.

Clearing Jams

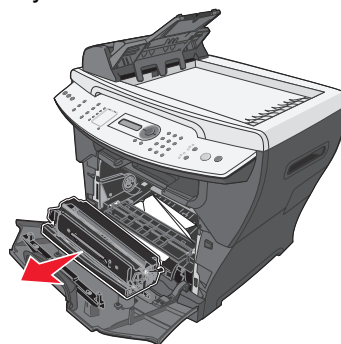
200/201 Paper Jam

CAUTION: The fuser area is hot. Avoid contact with the fuser area to prevent burns.

- 1 Press the access button on the left side of the MFP, and open the front cover.

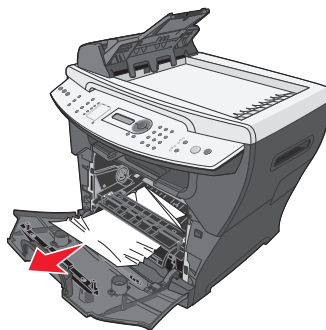


- 2 Pull on the handle to remove the print cartridge assembly.

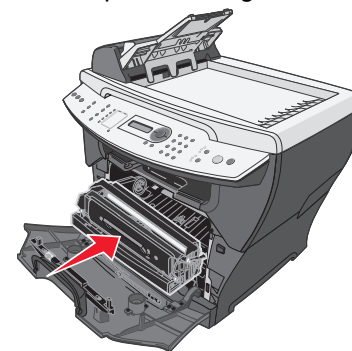


Warning: Do not leave the print cartridge assembly exposed to direct light for an extended period of time. Extended light exposure can cause print quality problems.

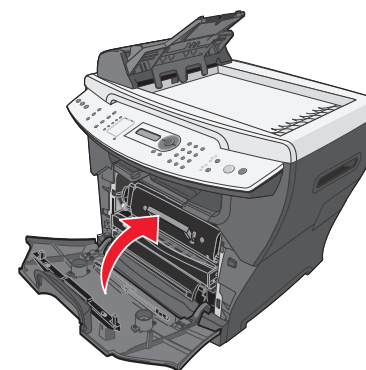
- 3 Remove the jammed paper by gently pulling it straight out.



- 4 Reinsert the print cartridge assembly.



- 5 Close the front cover.

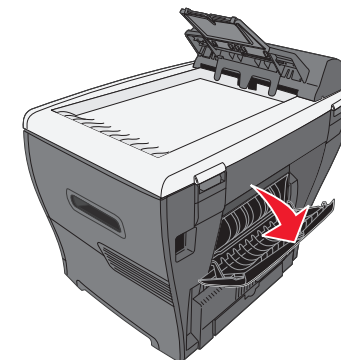


- 6 Press **Start** to resume printing.

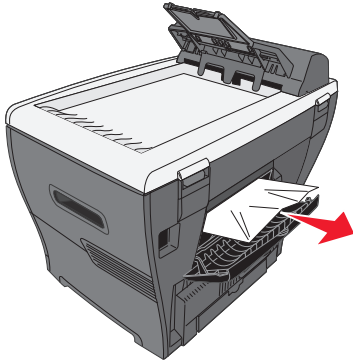
202 Paper Jam

CAUTION: The fuser area is hot. Avoid contact with the fuser area to prevent burns.

- 1 Open the rear cover.



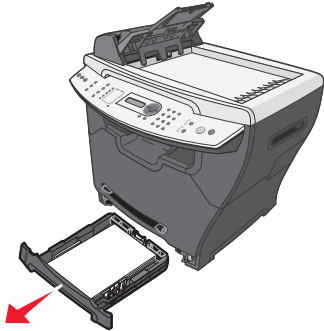
- 2 Remove the jammed paper by gently pulling it straight out.



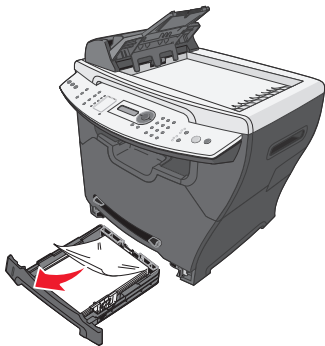
- 3 Close the rear cover.
- 4 Press **Start** to resume printing.

241/242 Paper Jam

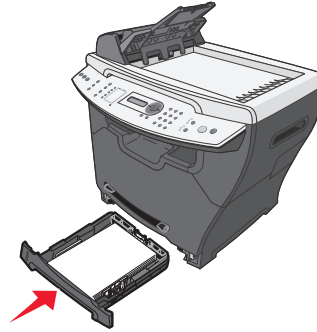
- 1 Open the appropriate paper tray.



- 2 Remove the jammed paper by gently pulling it straight out.



- 3 Insert the paper tray.

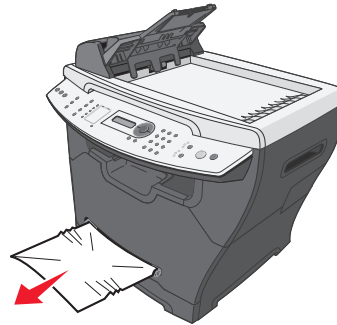


- 4 Press **Start** to resume printing.

Note: If you receive a 241.18 paper jam at the start of a print job, verify that the media settings match the actual media size.

251 Paper Jam

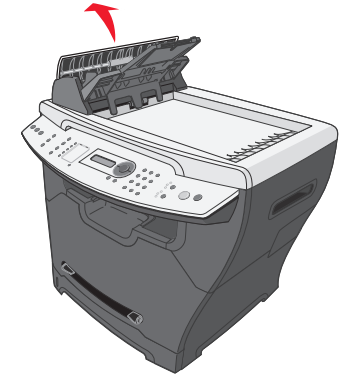
- 1 Remove the jammed paper by gently pulling it straight out of the MFP.



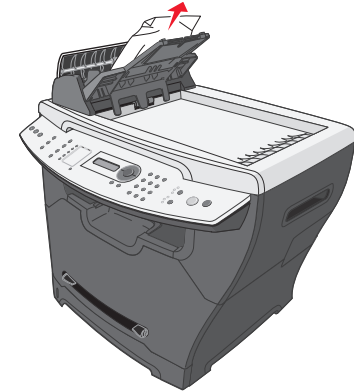
- 2 Press **Start** to resume printing.

290/291/292 Scanner Jam

- 1 Open the ADF top cover.



- 2 Remove the jammed paper by gently pulling it straight out.



- 3 Close the ADF top cover, and then load the documents back into the ADF.

Note: To prevent document jams, use the scanner glass rather than the ADF for thick, thin, or a mixed set of documents.

- 4 Press **Start** to resume.

Free Manuals Download Website

<http://myh66.com>

<http://usermanuals.us>

<http://www.somanuals.com>

<http://www.4manuals.cc>

<http://www.manual-lib.com>

<http://www.404manual.com>

<http://www.luxmanual.com>

<http://aubethermostatmanual.com>

Golf course search by state

<http://golfingnear.com>

Email search by domain

<http://emailbydomain.com>

Auto manuals search

<http://auto.somanuals.com>

TV manuals search

<http://tv.somanuals.com>