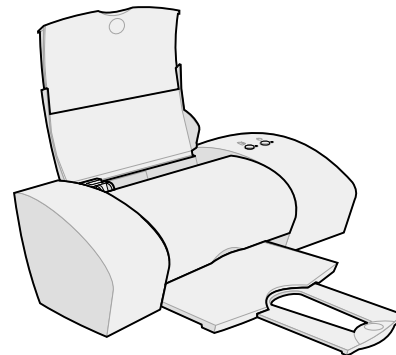


# LEXMARK<sup>TM</sup>

## Z25, Z35

# Color Jetprinter<sup>TM</sup>

---



**From Setup to Printing**

**for Windows 98, Windows Me, Windows 2000, Windows XP,  
Mac OS 8.6 to 9.2, and Mac OS X version 10.0.3 to 10.1**

January 2002

**The following paragraph does not apply to any country where such provisions are inconsistent with local law:** LEXMARK INTERNATIONAL, INC., PROVIDES THIS PUBLICATION "AS IS" WITHOUT WARRANTY OF ANY KIND, EITHER EXPRESS OR IMPLIED, INCLUDING, BUT NOT LIMITED TO, THE IMPLIED WARRANTIES OF MERCHANTABILITY OR FITNESS FOR A PARTICULAR PURPOSE. Some states do not allow disclaimer of express or implied warranties in certain transactions; therefore, this statement may not apply to you.

This publication could include technical inaccuracies or typographical errors. Changes are periodically made to the information herein; these changes will be incorporated in later editions. Improvements or changes in the products or the programs described may be made at any time.

Comments about this publication may be addressed to Lexmark International, Inc., Department F95/032-2, 740 West New Circle Road, Lexington, Kentucky 40550, U.S.A. In the United Kingdom and Eire, send to Lexmark International Ltd., Marketing and Services Department, Westhorpe House, Westhorpe, Marlow Bucks SL7 3RQ. Lexmark may use or distribute any of the information you supply in any way it believes appropriate without incurring any obligation to you. You can purchase additional copies of publications related to this product by calling 1-800-553-9727. In the United Kingdom and Eire, call 0628-481500. In other countries, contact your point of purchase.

References in this publication to products, programs, or services do not imply that the manufacturer intends to make these available in all countries in which it operates. Any reference to a product, program, or service is not intended to state or imply that only that product, program, or service may be used. Any functionally equivalent product, program, or service that does not infringe any existing intellectual property right may be used instead. Evaluation and verification of operation in conjunction with other products, programs, or services, except those expressly designated by the manufacturer, are the user's responsibility.

Lexmark and Lexmark with diamond design are trademarks of Lexmark International, Inc., registered in the United States and/or other countries. Color Jetprinter is a trademark of Lexmark International, Inc.

Apple, Mac OS, and Macintosh are trademarks of Apple Computer, Inc., registered in the United States and other countries.

Other trademarks are the property of their respective owners.

© Copyright 2002 Lexmark International, Inc. All rights reserved.

#### **UNITED STATES GOVERNMENT RESTRICTED RIGHTS**

This software and documentation are provided with RESTRICTED RIGHTS. Use, duplication or disclosure by the Government is subject to restrictions as set forth in subparagraph (c)(1)(ii) of the Rights in Technical Data and Computer Software clause at DFARS 252.227-7013 and in applicable FAR provisions: Lexmark International, Inc., Lexington, KY 40550.

#### **Federal Communications Commission (FCC) compliance information statement**

The Lexmark Z25 Color Jetprinter, Type 4105-005, and Lexmark Z35 Color Jetprinter, Type 4105-005, have been tested and found to comply with the limits for a Class B digital device, pursuant to Part 15 of the FCC Rules. Operation is subject to the following two conditions: (1) this device may not cause harmful interference, and (2) this device must accept any interference received, including interference that may cause undesired operation.

The FCC Class B limits are designed to provide reasonable protection against harmful interference in a residential installation. This equipment generates, uses and can radiate radio frequency energy and, if not installed and used in accordance with the instructions, may cause harmful interference to radio communications. However, there is no guarantee that interference will not occur in a particular installation. If this equipment does cause harmful interference to radio or television reception, which can be determined by turning the equipment off and on, the user is encouraged to try to correct the interference by one or more of the following measures:

- Reorient or relocate the receiving antenna.
- Increase the separation between the equipment and receiver.
- Connect the equipment into an outlet on a circuit different from that to which the receiver is connected.
- Consult your point of purchase or service representative for additional suggestions.

The manufacturer is not responsible for any radio or television interference caused by using other than recommended cables or by unauthorized changes or modifications to this equipment. Unauthorized changes or modifications could void the user's authority to operate this

equipment.

**Note:** To assure compliance with FCC regulations on electromagnetic interference for a Class B computing device, use a properly shielded and grounded cable such as Lexmark part number 12A2405 for USB attach. Use of a substitute cable not properly shielded and grounded may result in a violation of FCC regulations.

Any questions regarding this compliance information statement should be directed to: Director of Lab Operations, Lexmark International, Inc., 740 West New Circle Road, Lexington, KY 40550, (859) 232-3000.

#### **European Community (EC) directives conformity**

This product is in conformity with the protection requirements of EC Council directives 89/336/EEC and 73/23/EEC on the approximation and harmonization of the laws of the Member States relating to electromagnetic compatibility and safety of electrical equipment designed for use within certain voltage limits.

A declaration of conformity with the requirements of the directives has been signed by the Director of Manufacturing and Technical Support, Lexmark International, S.A., Boigny, France.

This product satisfies the Class B limits of EN 55022 and safety requirements of EN 60950.

#### **ENERGY STAR**

The EPA ENERGY STAR Office Equipment program is a partnership effort with office equipment manufacturers to promote the introduction of energy-efficient products and to reduce air pollution caused by power generation.

Companies participating in this program introduce products that power down when they are not being used. This feature will cut the energy used by up to 50 percent. Lexmark is proud to be a participant in this program.

As an ENERGY STAR Partner, Lexmark International, Inc. has determined that this product meets the ENERGY STAR guidelines for energy efficiency.

#### **Safety information**

- Use only the Lexmark power supply provided with this product or an authorized Lexmark replacement power supply.
- Connect the power cord to an electrical outlet that is near the product and easily accessible.
- Refer service or repairs, other than those described in the manual, to a professional service person.

# Contents

<b>From Setup to Printing</b> .....	<b>1</b>
Step 1: Make sure your computer is on .....	2
Step 2: Check the printer parts .....	2
Step 3: Connect the power supply .....	3
Step 4: Connect the USB cable .....	3
Step 5: Install the print cartridges .....	4
Step 6: Load up to 100 sheets of plain paper .	6
Step 7: Install the printer software .....	7
<b>Windows</b> .....	<b>8</b>
Printing from Windows .....	9
Need help during Windows setup? .....	10
<b>Mac OS 8.6 to 9.2</b> .....	<b>12</b>
Printing from Mac OS 8.6 to 9.2 .....	13
Need help during Mac OS 8.6 to 9.2 setup? . . .	14
<b>Mac OS X version 10.0.3 to 10.1</b> .....	<b>15</b>
Printing from Mac OS X version 10.0.3 to 10.1 .	16
Need help during Mac OS X version 10.0.3 to 10.1 setup? .....	17
<b>Contacting Lexmark</b> .....	<b>18</b>
<b>Index</b> .....	<b>19</b>

# From Setup to Printing

This booklet takes you step by step from setup through printing your first document using Windows 98, Windows Me, Windows 2000, Windows XP, Mac OS 8.6 to 9.2, or Mac OS X version 10.0.3 to 10.1.

For printer setup, you will need:

- A computer with a CD-ROM drive and USB port
- A USB cable (such as Lexmark P/N 12A2405), purchased separately
- A4 or letter size paper

**For additional help while setting up your printer, see:**

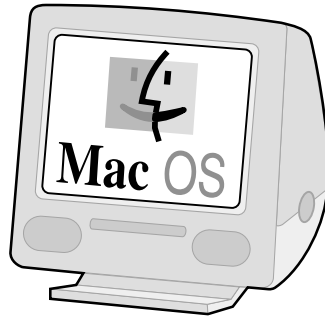
- Page 10 for Windows 98/Me/2000 and Windows XP
- Page 14 for Mac OS 8.6 to 9.2
- Page 17 for Mac OS X version 10.0.3 to 10.1

**Networking tip:** You can connect your printer to a network. For information about networking, and about purchasing the Lexmark N1 Ethernet Adapter, visit [www.lexmark.com/US/products/N1](http://www.lexmark.com/US/products/N1).

## Step 1: Make sure your computer is on

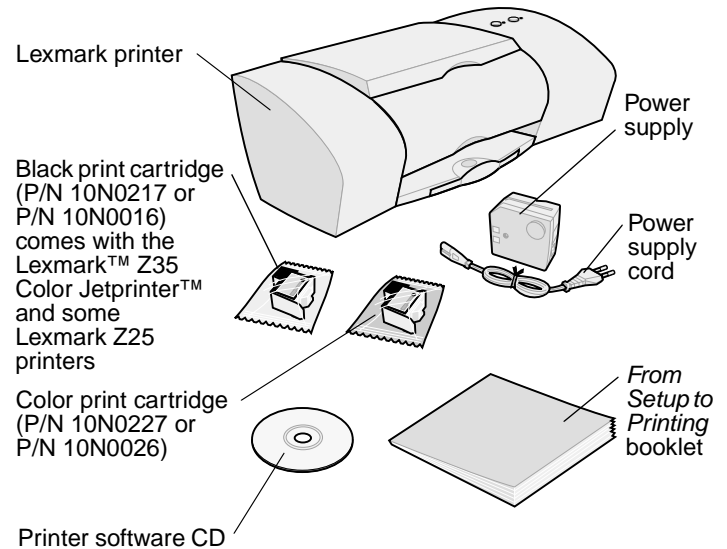


Windows 98  
Windows Me  
Windows 2000  
Windows XP



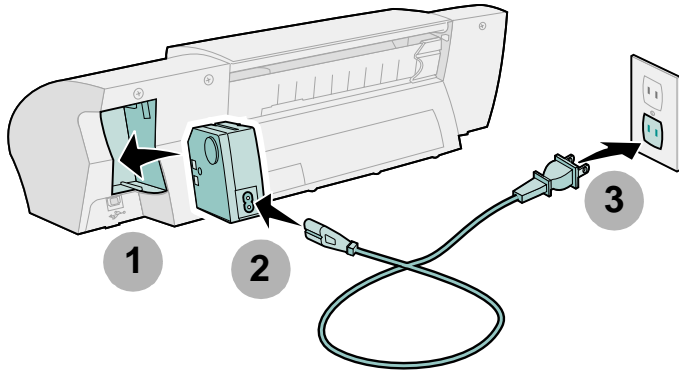
Mac OS 8.6 to 9.2  
Mac OS X version 10.0.3  
to 10.1

## Step 2: Check the printer parts



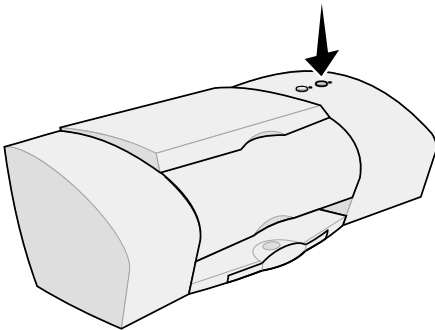
If any items are missing, contact Lexmark (see page 18).

## Step 3: Connect the power supply

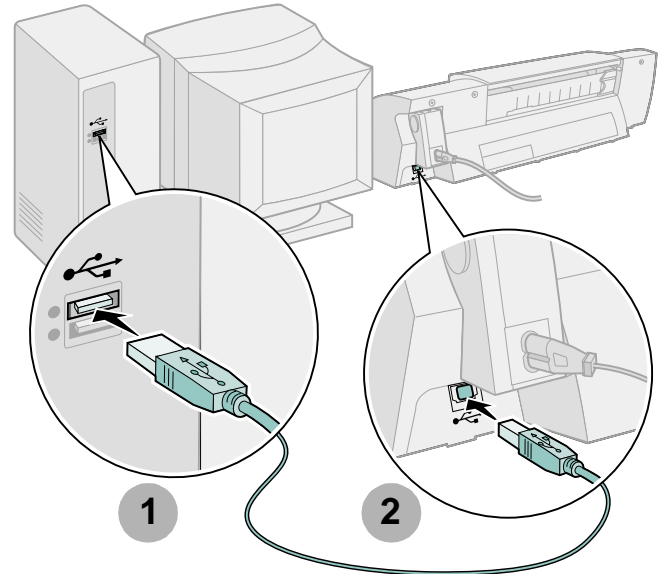


If the power light does not come on:

- 1 Check the power supply connections.
- 2 Press the power button.



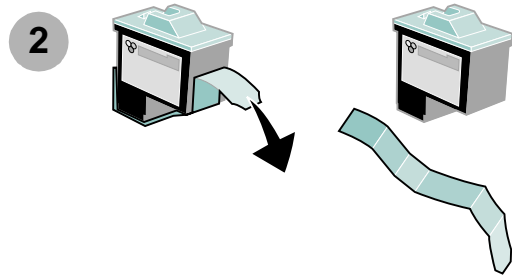
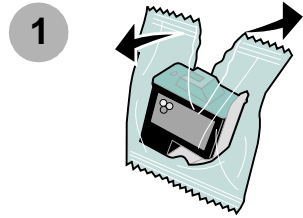
## Step 4: Connect the USB cable



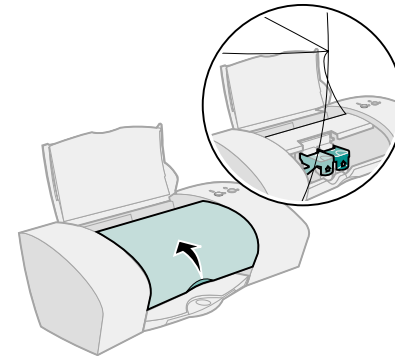
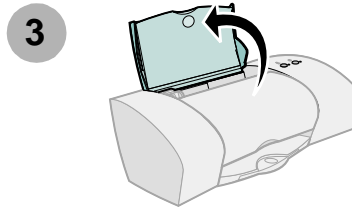
**Note:** The location and orientation of the USB port on your computer may be different from the one shown. Look for this symbol:



## Step 5: Install the print cartridges



**Warning:** Do **not** touch the gold contact areas on the back and bottom of the cartridges.

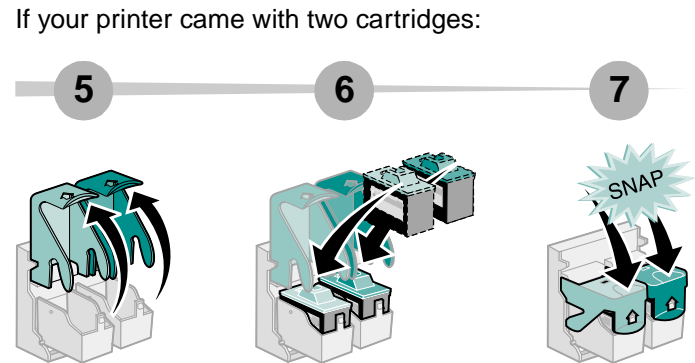
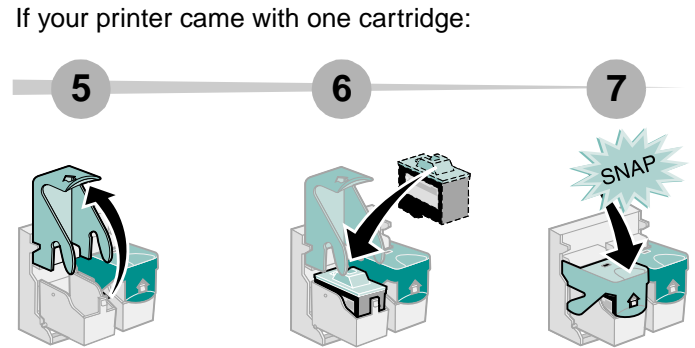


**Note:** The cartridge carrier moves to the loading position when you open the front cover.

You can print with:

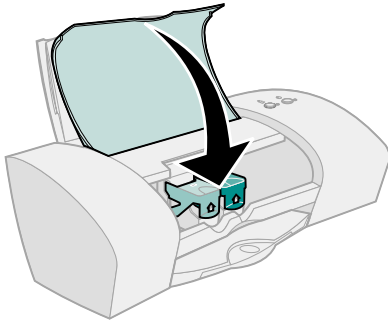
- Both a color cartridge (P/N 10N0227 or 10N0026) in the left carrier and a black cartridge (P/N 10N0217 or 10N0016) in the right carrier
- Only a color cartridge (P/N 10N0227 or 10N0026) in the left carrier
- Only a black cartridge (P/N 10N0217 or 10N0016) in the right carrier

Follow step 5, step 6, and step 7 for your printer.



8

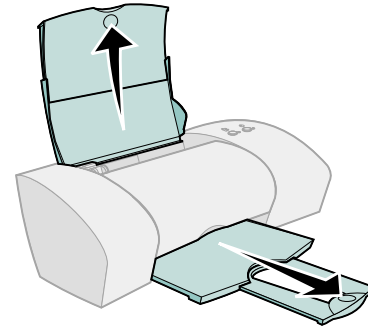
Close the front cover.



## Step 6: Load up to 100 sheets of plain paper

1

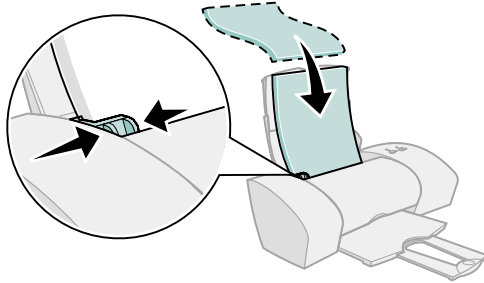
Make sure you fully extend the paper support and the paper exit tray.





2

To avoid paper jams, squeeze and slide the paper guide to the left edge of the paper.



**Note:** A4 size paper should extend beyond the top of the paper support. Letter size paper should align with the top of the paper support.

## Step 7: Install the printer software

Follow all of the steps for your operating system.

Operating system:	Page:
Windows 98/Me/2000 and Windows XP	8
Mac OS 8.6 to 9.2	12
Mac OS X version 10.0.3 to 10.1	15

Printer software for other operating systems (such as Linux) may be available on the Lexmark Web site. For more information, see page 18. When you download the software, installation information is included in the Readme file.

# Windows

To install printer software for Mac OS 8.6 to 9.2, see page 12. To install printer software for Mac OS X version 10.0.3 to 10.1, see page 15.

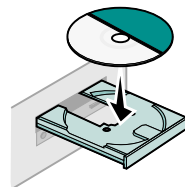
**Note:** Your software screens may be slightly different from the ones shown in this booklet, depending on your printer model and operating system. The arrows show you where to click.

1

Click **Cancel** on any screens similar to the one shown.

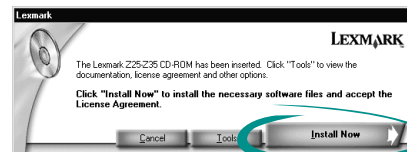


2



3

Wait for the following Lexmark printer software installation screen to appear. If it does **not** appear, see page 10.



4

Follow the instructions on your screen to complete software installation.

During installation, an alignment page prints. If it does not, see page 10.

***Congratulations!***

You have successfully set up your printer for Windows.

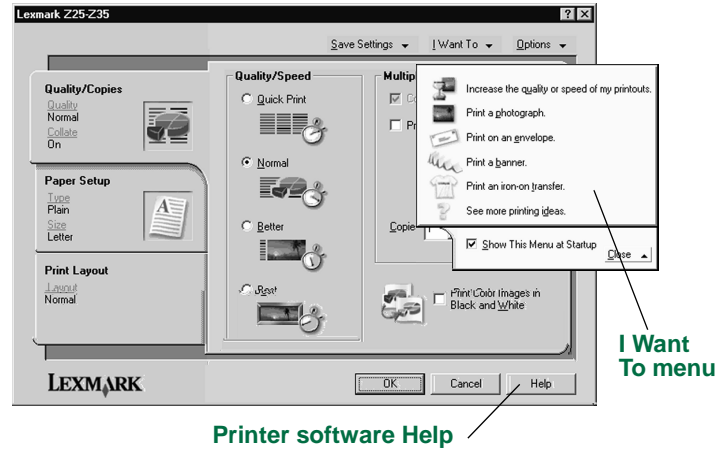
# Printing from Windows

Now that you have set up your printer and installed the printer software, you are ready to print your first document.

Basic printing is as easy as:

- 1 Load the paper. For help, see page 6.
- 2 Open the file you want to print.
- 3 Customize the printer settings in Print Properties.
  - a From your document, click **File** ► **Print** ► **Properties** or **Preferences**.

**Note:** For some software applications in Windows 2000, click **File** ► **Print**. From the Printer Settings tab, click **Change**.



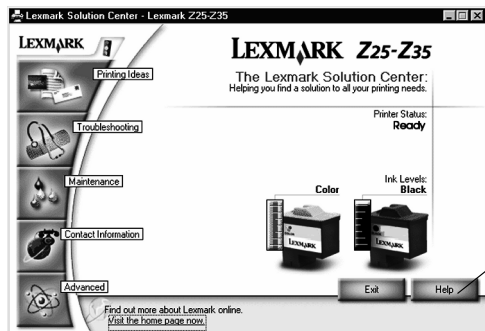
- b To learn more:
    - Explore the tabs and menus in Print Properties. Use the **I Want To menu** as a guide for printing photographs, envelopes, iron-on transfers, and more.
    - Click **Help** to view the **printer software Help**.
  - c Customize the settings for your document.
  - d Click **OK** to apply the settings and close Print Properties.
- 4 Print your document.

The **Lexmark Solution Center** is your complete guide to:

- Printing photos, envelopes, banners, or other special documents
- Solving printing problems
- Ordering, installing, and maintaining cartridges
- Contacting Lexmark

To open the Lexmark Solution Center:

From your desktop, double-click the Lexmark Z25-Z35 Solution Center icon, or click **Start ▶ Programs or All Programs ▶ Lexmark Z25-Z35 ▶ Lexmark Z25-Z35 Solution Center**.



Printer software Help

**Note:** Your screen may look different depending on your printer model and the cartridges you installed.

## Need help during Windows setup?

### The installation screen did not appear.

- 1 Make sure you click **Cancel** on any screens similar to the one in step 1 on page 8.
- 2 Make sure the Lexmark printer software CD is in your CD-ROM drive.
- 3 From the desktop, double-click **My Computer**.
- 4 Double-click the CD-ROM drive icon. If necessary, double-click **setup.exe**.
- 5 Continue with step 3 on page 8.

### The alignment page did not print.

- Make sure you installed the print cartridges correctly (see page 4).
- Follow the instructions on any error message on your screen. Click the ? on the error message for help.

## The printer is not working.

Try the following:

- Check the printer status:

### Windows 98/Me/2000

- a From the Start menu, click **Settings ▶ Printers**.
- b From the Printers folder, double-click the Lexmark Z25-Z35 printer icon.
- c From the Printer menu, make sure:
  - **Default Printer** is selected.
  - **Pause Printing** is **not** selected.

### Windows XP

- a From the Start menu, click **Control Panel ▶ Printers and Other Hardware**.
  - b Click **Printers and Faxes**, and then click the Lexmark Z25-Z35 printer icon.
  - c From the Printer menu, make sure:
    - **Default Printer** is selected.
    - **Pause Printing** is **not** selected.
- If you have a device such as a scanner or fax machine, disconnect your printer from the device, and then connect the printer directly to your computer.

- Check the printer port:
  - a From the File menu of a software application, click **Print** or **Printer Setup**.
  - b In the Where area, make sure your printer port is set to **USB**.
- Make sure you have not installed multiple copies of the printer software:
  - a From the Start menu, click **Settings ▶ Printers**.
  - b In the Printers folder, make sure there is only one icon for your printer.

If the printer port is wrong or multiple copies of the printer software are installed, uninstall and then reinstall the printer software:

- 1 From the Start menu, click **Programs** or **All Programs ▶ Lexmark Z25-Z35 ▶ Lexmark Z25-Z35 Uninstall**.
- 2 Follow the instructions on your screen.

**Note:** Make sure you uninstall each copy of the printer software.
- 3 To reinstall the printer software, see page 8.

## The paper feed light is blinking.

If there is an error message on your screen, follow the instructions on it. Click the ? on the error message for help.

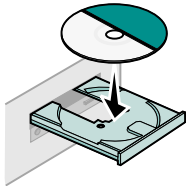
# Mac OS 8.6 to 9.2

To install printer software for Windows, see page 8. To install printer software for Mac OS X version 10.0.3 to 10.1, see page 15.

1

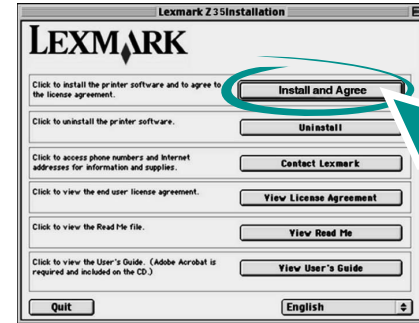
Close all open software applications.

2



3

Wait for the following Lexmark printer software installation screen to appear. If it does **not** appear, see page 14.



4

Follow the instructions on your screen to complete software installation.

During installation, an alignment page prints. If it does not, see page 14.

## *Congratulations!*

You have successfully set up your printer for Mac OS 8.6 to 9.2.

## Printing from Mac OS 8.6 to 9.2

Now that you have set up your printer and installed the printer software, you are ready to print your first document.

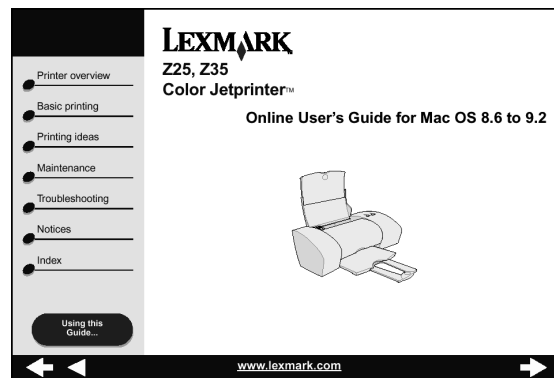
Basic printing is as easy as:

- 1 Load the paper. For help, see page 6.
- 2 Open the file you want to print.
- 3 Customize the printer settings.
- 4 Print your document.

The *Online User's Guide for Mac OS 8.6 to 9.2* contains printing instructions and ideas, maintenance tips, and troubleshooting information. You will need Adobe Acrobat 4.0 or later to view your printer documentation. To open the *Online User's Guide*:

- 1 From your desktop, double-click the folder for your printer.

- 2 Double-click the Lexmark Z25-Z35 Users Guide.pdf icon.



- 3 From the left navigation area, click **Printer overview** to learn how to customize the printer settings using the printer software.
- 4 When you are finished, click **File ▶ Quit**.

## Need help during Mac OS 8.6 to 9.2 setup?

### The installation screen did not appear.

- 1 Make sure the Lexmark printer software CD is in your CD-ROM drive.
- 2 From your desktop, double-click the Lexmark Z25-Z35 CD icon.
- 3 From the CD folder, double-click the Install icon.
- 4 Continue with step 3 on page 12.

### The alignment page did not print.

- Make sure you installed the print cartridges correctly (see page 4).
- Follow the instructions on any error message on your screen.
- For more information, refer to the **Troubleshooting** topic in the *Online User's Guide for Mac OS 8.6 to 9.2*. To open the *Online User's Guide*, see page 13.

### The printer is not working.

- Make sure your printer has been added to your system:
  - a From the Apple menu, choose **Chooser**.
  - b Select your printer in the left window of Chooser.  
If your printer is not in the left window of Chooser, install the printer software (see page 12).
  - c Make sure the printer is displayed and selected in the right side of Chooser.  
If it is not, check your USB cable connection and repeat step b and step c.
- Make sure your printer is set as the default printer:
  - a From your desktop, select the icon for your printer.
  - b From the menu bar, choose **Printing**.
  - c Make sure **Set Default Printer** and **Start Print Queue** are both selected.

### The paper feed light is blinking.

If there is an error message on your screen, follow the instructions on it.



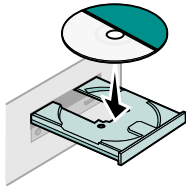
# Mac OS X version 10.0.3 to 10.1

To install the printer software for Windows, see page 8. To install the printer software for Mac OS 8.6 to 9.2, see page 12.

1

Close all open software applications.

2



3

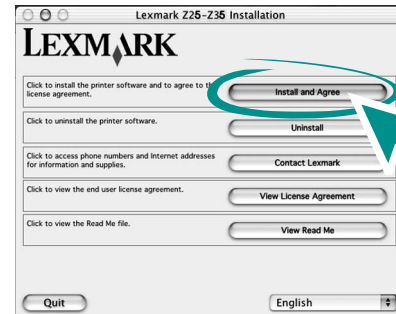
From your desktop, double-click the Lexmark Z25-Z35 CD icon.

4

From the CD folder, double-click the Install icon.

5

Wait for the following Lexmark printer software installation screen to appear. If it does **not** appear, see page 17.



6

Follow the instructions on your screen to complete software installation.

During installation, an alignment page prints. If it does not, see page 17.

***Congratulations!***

You have successfully set up your printer for Mac OS X version 10.0.3 to 10.1.

## Printing from Mac OS X version 10.0.3 to 10.1

Now that you have set up your printer and installed the printer software, you are ready to print your first document.

Basic printing is as easy as:

- 1 Load the paper. For help, see page 6.
- 2 Open the file you want to print.
- 3 Customize the printer settings.
- 4 Print your document.

The *Online User's Guide for Mac OS X 10.0.3 to 10.1* contains printing instructions and ideas, maintenance tips, and troubleshooting information. You will need Adobe Acrobat 4.0 or later to view your printer documentation. To open the *Online User's Guide*:

- 1 From the Dock, click the Finder icon.
- 2 Click Computer, and then double-click the OS X disk icon ▶ Library folder ▶ Printers folder ▶ Lexmark folder.

- 3 Double-click the Lexmark Z25-Z35 Users Guide.pdf icon.



- 4 From the left navigation area, click **Printer overview** to learn how to customize the printer settings using the printer software.
- 5 When you are finished, click **File ▶ Quit**.

# Need help during Mac OS X version 10.0.3 to 10.1 setup?

## The installation screen did not appear.

- 1 Make sure the Lexmark printer software CD is in your CD-ROM drive.
- 2 From your desktop, double-click the Lexmark Z25-Z35 CD icon.
- 3 From the CD folder, double-click the Install icon.
- 4 Continue with step 5 on page 15.

## The alignment page did not print.

- Make sure you installed the print cartridges correctly (see page 4).
- Follow the instructions on any error message on your screen.
- For more information, refer to the **Troubleshooting** section of the **Lexmark Z25-Z35 User's Guide**.

# Contacting Lexmark

Visit our Web site at [www.lexmark.com](http://www.lexmark.com) to:

- Receive technical support.
- Register your printer.
- Access documentation for your printer.
- Check for free offers.

See the table for other ways to contact Lexmark.

Windows	Mac OS 8.6 to 9.2	Mac OS X version 10.0.3 to 10.1
<p>For a list of phone numbers:</p> <ol style="list-style-type: none"> <li>1 Insert the printer software CD into your CD-ROM drive.</li> <li>2 Click <b>Contact Lexmark</b> ▶ <b>Technical Support</b>.</li> </ol>	<ol style="list-style-type: none"> <li>1 Insert the printer software CD into your CD-ROM drive.</li> <li>2 Click <b>Contact Lexmark</b>.</li> </ol>	<ol style="list-style-type: none"> <li>1 Insert the printer software CD into your CD-ROM drive.</li> <li>2 From your desktop, double-click the Lexmark Z25-Z35 CD icon.</li> <li>3 From the CD folder, double-click the Install icon.</li> <li>4 Click <b>Contact Lexmark</b>.</li> </ol>
<p>To access customer support information from our Web site:</p> <ol style="list-style-type: none"> <li>1 Open the Lexmark Solution Center (see page 10).</li> <li>2 Click <b>Contact Information</b> ▶ <b>Customer Support</b>.</li> </ol>	<ol style="list-style-type: none"> <li>1 From your desktop, double-click your printer folder.</li> <li>2 Double-click <b>Technical Support</b>.</li> </ol>	<ol style="list-style-type: none"> <li>1 From the Finder, click Computer, and then double-click the OS X disk icon ▶ Library folder ▶ Printers folder ▶ Lexmark folder.</li> <li>2 Double-click the Lexmark Z25-Z35 Utility icon.</li> <li>3 Click <b>Contacting Lexmark</b>.</li> </ol>

# Index

## A

- Add New Hardware Wizard screen. 8
- adjusting paper guide . . . . . 7
- alignment page did not print
  - Mac OS 10.0.3 to 10.1 . . . . . 17
  - Mac OS 8.6 to 9.2. . . . . 14
  - Windows. . . . . 10
- avoiding paper jams . . . . . 7

## C

- cable, USB
  - connecting . . . . . 3
  - part number . . . . . 1
- cartridges
  - installing . . . . . 4
  - part number . . . . . 2
- changing printer settings
  - Windows. . . . . 9
- checking printer port (Windows) . . 11
- connecting
  - power supply . . . . . 3
  - USB cable. . . . . 3
- contacting Lexmark. . . . . 18

## I

- I Want To menu (Windows). . . . . 9
- installation screen did not appear
  - Mac OS 10.0.3 to 10.1 . . . . . 17
  - Mac OS 8.6 to 9.2. . . . . 14
  - Windows . . . . . 10
- installing cartridges . . . . . 4
- installing printer software
  - Mac OS 10.0.3 to 10.1 . . . . . 15
  - Mac OS 8.6 to 9.2. . . . . 12
  - Windows . . . . . 8

## L

- Lexmark Solution Center, opening
  - Windows . . . . . 10
- Lexmark Web site address . . . . . 18
- loading paper. . . . . 6
- locating USB port. . . . . 3

## M

- Mac OS 10.0.3 to 10.1
  - installing printer software . . . 15
  - Online User's Guide* . . . . . 16
  - printing . . . . . 16
- Mac OS 8.6 to 9.2
  - installing printer software . . . 12
  - Online User's Guide* . . . . . 13

- printing . . . . . 13

## N

- New Hardware Found screen. . . . . 8
- notices
  - edition . . . . . ii
  - ENERGY STAR. . . . . ii
  - European Community (EC) directives conformity . . . . . ii
  - Federal Communications Commission (FCC) compliance information statement. . . . . ii
  - Industry Canada compliance statement . . . . . 21
  - Japanese VCCI . . . . . 21
  - safety information. . . . . ii
  - The United Kingdom Telecommunications Act 1984. . . . . 21

## O

- Online User's Guide*
  - Mac OS 10.0.3 to 10.1. . . . . 16
  - Mac OS 8.6 to 9.2 . . . . . 13

## P

- paper feed light is blinking

Mac OS 10.0.3 to 10.1 . . . . .	17
Mac OS 8.6 to 9.2 . . . . .	14
Windows . . . . .	11
paper guide, adjusting . . . . .	7
paper jams, avoiding . . . . .	7
paper, loading . . . . .	6
part number	
cartridges . . . . .	2
USB cable . . . . .	1
parts, printer . . . . .	2
power button . . . . .	3
power supply, connecting . . . . .	3
Print Properties (Windows) . . . . .	9
printer is not working	
Mac OS 10.0.3 to 10.1 . . . . .	17
Mac OS 8.6 to 9.2 . . . . .	14
Windows . . . . .	11
printer parts . . . . .	2
printer port, checking (Windows) . . . . .	11
printer settings, changing	
Windows . . . . .	9
printer software Help	
Windows . . . . .	9, 10
printer software, installing	
Mac OS 10.0.3 to 10.1 . . . . .	15
Mac OS 8.6 to 9.2 . . . . .	12
Windows . . . . .	8
printer software, uninstalling	
Windows . . . . .	11
printing	

Mac OS 10.0.3 to 10.1 . . . . .	16
Mac OS 8.6 to 9.2 . . . . .	13
Windows . . . . .	9
problem solving	
Mac OS 10.0.3 to 10.1 . . . . .	17
Mac OS 8.6 to 9.2 . . . . .	14
Windows . . . . .	10
<b>S</b>	
safety information . . . . .	ii
setup requirements . . . . .	1
Statement of Limited Warranty . . . . .	21
<b>T</b>	
troubleshooting	
alignment page did not print	
Mac OS 10.0.3 to 10.1 . . . . .	17
Mac OS 8.6 to 9.2 . . . . .	14
Windows . . . . .	10
installation screen did not appear	
Mac OS 10.0.3 to 10.1 . . . . .	17
Mac OS 8.6 to 9.2 . . . . .	14
Windows . . . . .	10
paper feed light is blinking	
Mac OS 10.0.3 to 10.1 . . . . .	17
Mac OS 8.6 to 9.2 . . . . .	14
Windows . . . . .	11
printer is not working	

Mac OS 10.0.3 to 10.1 . . . . .	17
Mac OS 8.6 to 9.2 . . . . .	14
Windows . . . . .	11
<b>U</b>	
United Kingdom Telecommunications Act 1984 . . . . .	21
USB cable	
connecting . . . . .	3
part number . . . . .	1
USB port, locating . . . . .	3
<b>W</b>	
warranty . . . . .	21
Windows	
I Want To menu . . . . .	9
installing printer software . . . . .	8
Lexmark Solution Center . . . . .	10
Print Properties . . . . .	9
printer software Help . . . . .	9, 10
printing . . . . .	9
troubleshooting . . . . .	10
uninstalling printer software . . . . .	11

## Statement of Limited Warranty

### Lexmark International, Inc. Lexington, KY

This limited warranty applies to the United States. For customers outside the U.S., refer to the country-specific warranty information that came with your product.

This limited warranty applies to this product only if it was originally purchased for your use, and not for resale, from Lexmark or a Lexmark remarketer, referred to in this statement as "Remarketer."

### Limited warranty

Lexmark warrants that this product:

- Is manufactured from new parts, or new and serviceable used parts, which perform like new parts
- Is, during normal use, free from defects in material and workmanship

If this product does not function as warranted during the warranty period, contact a Remarketer or Lexmark for repair or replacement (at Lexmark's option).

If this product is a feature or option, this statement applies only when that feature or option is used with the product for which it was designed. To obtain warranty service, you may be required to present the feature or option with the product.

If you transfer this product to another user, warranty service under the terms of this statement is available to that user for the remainder of the warranty period. You should transfer proof of original purchase and this statement to that user.

### Limited warranty service

The warranty period starts on the date of original purchase as shown on the purchase receipt. The warranty period ends 12 months later.

To obtain warranty service you may be required to present proof of original purchase. You may be required to deliver your product to the Remarketer or Lexmark, or ship it prepaid and suitably packaged to a Lexmark designated location. You are responsible for loss of, or damage to, a product in transit to the Remarketer or the designated location.

When warranty service involves the exchange of a product or part, the item replaced becomes the property of the Remarketer or Lexmark. The replacement may be a new or repaired item. The replacement item assumes the remaining warranty period of the original product.

Replacement is not available to you if the product you present for exchange is defaced, altered, in need of a repair not included in warranty service, damaged beyond repair, or

if the product is free of all legal obligations, restrictions, liens, and encumbrances.

Before you present this product for warranty service, remove all print cartridges, programs, data, and removable storage media (unless directed otherwise by Lexmark).

For further explanation of your warranty alternatives and the nearest Lexmark authorized service in your area, contact Lexmark at (407) 563-4600, or on the World Wide Web at [www.lexmark.com](http://www.lexmark.com).

Remote technical support is provided for this product throughout its warranty period. For products no longer covered by a Lexmark warranty, technical support may not be available or only be available for a fee.

### Extent of limited warranty

We do not warrant uninterrupted or error-free operation of any product.

Warranty service does not include repair of failures caused by:

- Modification or attachments
- Accidents or misuse
- Unsuitable physical or operating environment
- Maintenance by anyone other than Lexmark or a Lexmark authorized servicer
- Operation of a product beyond the limit of its duty cycle
- Use of printing media outside of Lexmark specifications
- Supplies (such as ink) not furnished by Lexmark
- Products, components, parts, materials, software, or interfaces not furnished by Lexmark

**TO THE EXTENT PERMITTED BY APPLICABLE LAW, NEITHER LEXMARK NOR ITS THIRD PARTY SUPPLIERS OR REMARKETERS MAKE ANY OTHER WARRANTY OR CONDITION OF ANY KIND, WHETHER EXPRESS OR IMPLIED, WITH RESPECT TO THIS PRODUCT, AND SPECIFICALLY DISCLAIM THE IMPLIED WARRANTIES OR CONDITIONS OF MERCHANTABILITY, FITNESS FOR A PARTICULAR PURPOSE, AND SATISFACTORY QUALITY. ANY WARRANTIES THAT MAY NOT BE DISCLAIMED UNDER APPLICABLE LAW ARE LIMITED IN DURATION TO THE WARRANTY PERIOD. NO WARRANTIES, EXPRESS OR IMPLIED, WILL APPLY AFTER THIS PERIOD. ALL INFORMATION, SPECIFICATIONS, PRICES, AND SERVICES ARE SUBJECT TO CHANGE AT ANY TIME WITHOUT NOTICE.**

## Limitation of liability

Your sole remedy under this limited warranty is set forth in this document. For any claim concerning performance or nonperformance of Lexmark or a Remarketer for this product under this limited warranty, you may recover actual damages up to the limit set forth in the following paragraph.

Lexmark's liability for actual damages from any cause whatsoever will be limited to the amount you paid for the product that caused the damages. This limitation of liability will not apply to claims by you for bodily injury or damage to real property or tangible personal property for which Lexmark is legally liable. **IN NO EVENT WILL LEXMARK BE LIABLE FOR ANY LOST PROFITS, LOST SAVINGS, INCIDENTAL DAMAGE, OR OTHER ECONOMIC OR CONSEQUENTIAL DAMAGES.** This is true even if you advise Lexmark or a Remarketer of the possibility of such damages. Lexmark is not liable for any claim by you based on a third party claim.

This limitation of remedies also applies to claims against any Suppliers and Remarketers of Lexmark. Lexmark's and its Suppliers' and Remarketers' limitations of remedies are not cumulative. Such Suppliers and Remarketers are intended beneficiaries of this limitation.

### Additional rights

Some states do not allow limitations on how long an implied warranty lasts, or do not allow the exclusion or limitation of incidental or consequential damages, so the limitations or exclusions contained above may not apply to you.

This limited warranty gives you specific legal rights. You may also have other rights that vary from state to state.

### Japanese VCCI notice

この装置は、情報処理分野等電磁波障害防止振興協議会 (VCCI) の基準に準じて設計・開発された製品です。この装置は、電磁障害を発生させることを目的としていません。この装置のラジオやテレビジョン電波に起因して発生する電波干渉は、製造業者が保証できません。電波障害を回避するために取り扱ってください。

### The United Kingdom Telecommunications Act 1984

This apparatus is approved under the approval number NS/G/1234/J/100003 for the indirect connections to the public telecommunications systems in the United Kingdom.

### Industry Canada compliance statement

This Class B digital apparatus meets all requirements of the Canadian Interference-Causing Equipment Regulations.

### Avis de conformité aux normes d'Industrie Canada

Cet appareil numérique de la classe B respecte toutes les exigences du Règlement sur le matériel brouilleur du Canada.



Lexmark and Lexmark with diamond design are trademarks of Lexmark International, Inc., registered in the United States and/or other countries.

Color Jetprinter is a trademark of Lexmark International, Inc.

Other trademarks are the property of their respective owners.

© 2002 Lexmark International, Inc.

740 West New Circle Road

Lexington, Kentucky 40550



## Free Manuals Download Website

<http://myh66.com>

<http://usermanuals.us>

<http://www.somanuals.com>

<http://www.4manuals.cc>

<http://www.manual-lib.com>

<http://www.404manual.com>

<http://www.luxmanual.com>

<http://aubethermostatmanual.com>

Golf course search by state

<http://golfingnear.com>

Email search by domain

<http://emailbydomain.com>

Auto manuals search

<http://auto.somanuals.com>

TV manuals search

<http://tv.somanuals.com>