

# Load Bus Sync™ Extender/Adapter for Dual Bus UPS

Installation Manual

120V-277VAC, 45-65Hz



 **Liebert.**

  
**EMERSON**  
Network Power



---

## TABLE OF CONTENTS

<b>1.0</b>	<b>GENERAL</b> .....	<b>1</b>
<b>2.0</b>	<b>INSTALLATION</b> .....	<b>2</b>
2.1	Liebert NX UPS to Liebert NX UPS .....	2
2.2	Liebert NX UPS to Non-Liebert NX UPS .....	3

## FIGURES

Figure 1	LBS Adapter dimensions .....	1
Figure 2	Horizontal installation .....	1
Figure 3	Vertical installation .....	1
Figure 4	Connecting a Liebert NX to a Liebert NX .....	2
Figure 5	Connecting a Liebert NX to a non-NX UPS .....	3

## TABLES

Table 1	Human interface—indicators and switches .....	3
Table 2	Electrical rating .....	3
Table 3	Part number description .....	3



## 1.0 GENERAL

Liebert's Load Bus Sync (LBS) Extender/Adapter for Dual Bus UPS is designed to extend the LBS function, up to 150m (492 ft.) between Liebert NX series uninterruptible power system (UPS) modules of a dual bus system (DBS). The adapter also enables a Liebert NX UPS to synchronize with other UPS models.

Figure 1 LBS Adapter dimensions

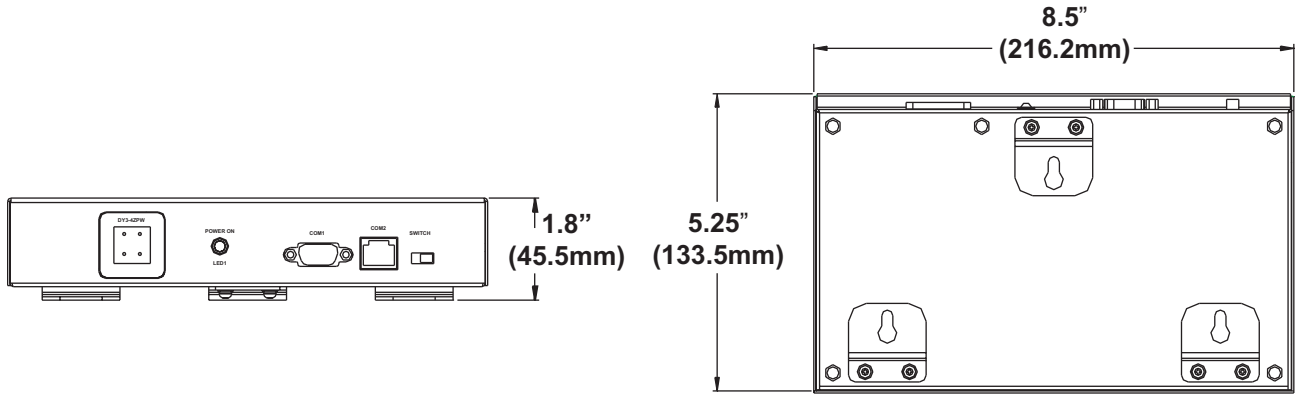


Figure 2 Horizontal installation

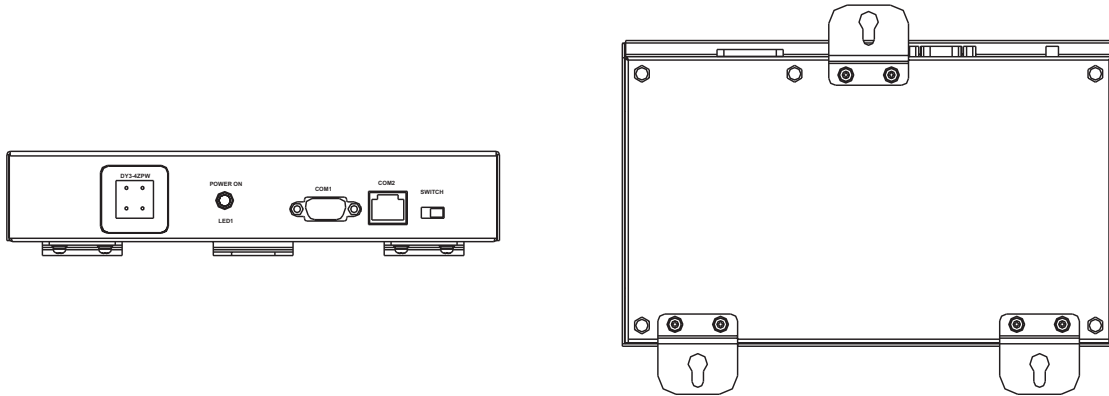
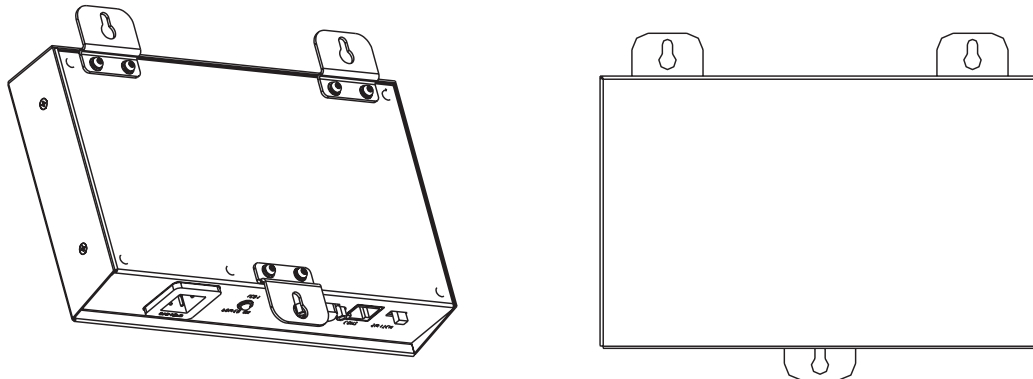


Figure 3 Vertical installation



## 2.0 INSTALLATION

### 2.1 Liebert NX UPS to Liebert NX UPS

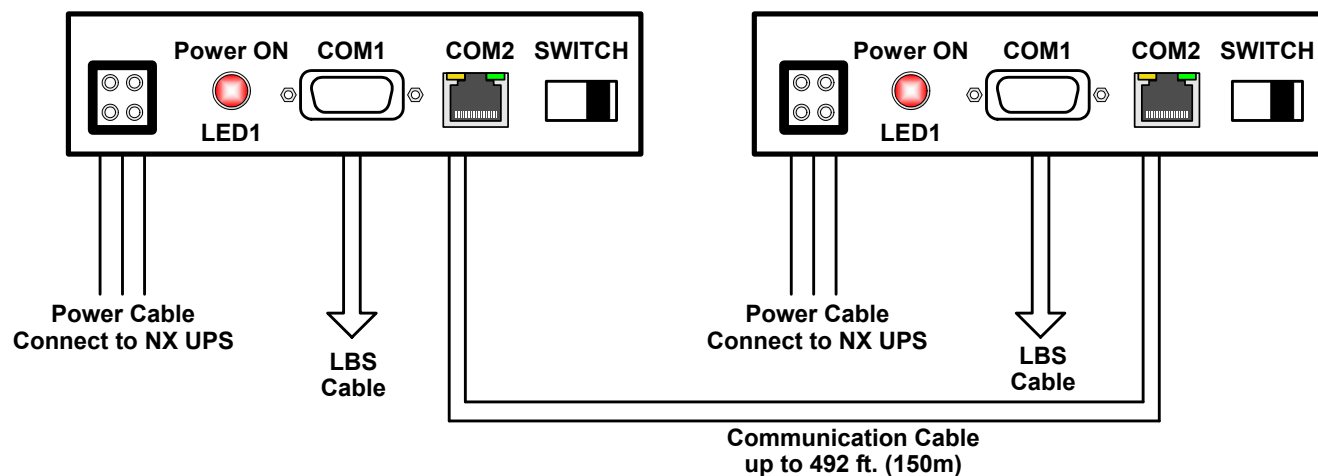


## WARNING

Installation by qualified electrical personnel only—hazardous voltage may be present at the UPS output connectors.

1. Connect the power cables of the adapter to the Phase A, Neutral and Ground output of each UPS.
2. Connect the LBS cable to COM1 of each LBS Signal Adapter.
3. Connect the other end of each LBS cable to X4 on the parallel board (UHW241M3) in the NX UPS.
4. Connect the communication cable (up to 492 ft. [150m]) to the COM2 interface of each LBS Signal Adapter.
5. The switch of both LBS signal adapters should be in the **right** position (see **Figure 4**).

**Figure 4** Connecting a Liebert NX to a Liebert NX



## 2.2 Liebert NX UPS to Non-Liebert NX UPS



### WARNING

Installation by qualified electrical personnel only—hazardous voltage may be present at the UPS output connectors.

1. Connect the power cables of the adapter to the Phase A, Neutral and Ground Output of each UPS.
2. Connect the LBS cable to COM1 of the LBS Signal Adapter connected to the Liebert NX.
3. Connect the other end of the LBS cable to X4 on the parallel board (UHW241M3) in the NX UPS.
4. Connect the communication cable (up to 492 ft. [150m]) to the COM2 interface of each LBS Signal Adapter.
5. The switches of LBS signal adapters connected to the Liebert NX should be in the **right** position and the switches of LBS signal adapters connected to the non-NX UPS should be in the **left** position (see **Figure 5**).

Figure 5 Connecting a Liebert NX to a non-NX UPS

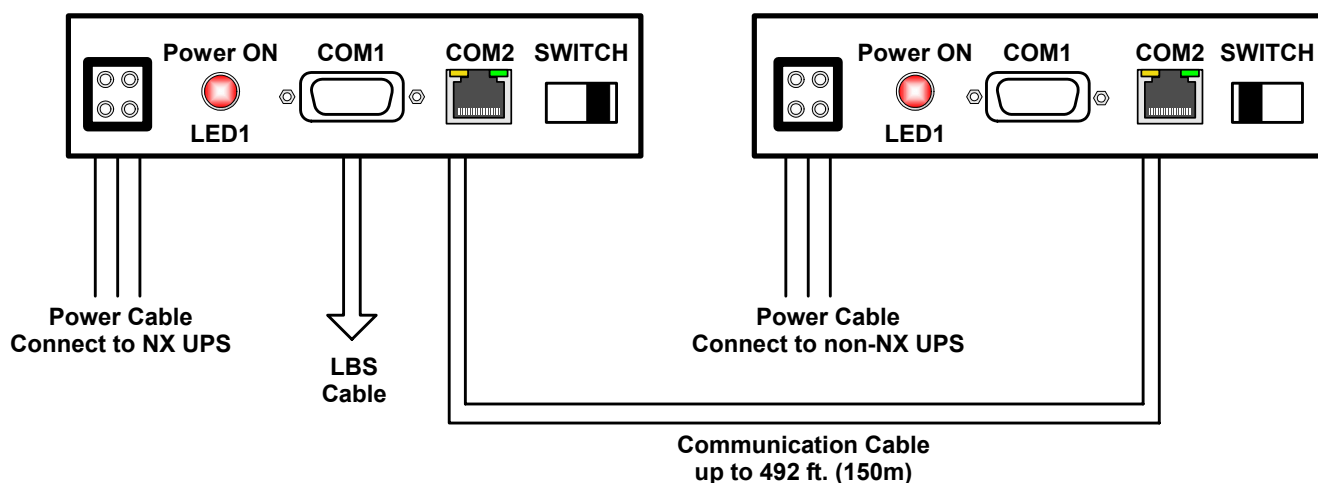


Table 1 Human interface—indicators and switches

Item	Description
Power port	Connect to Phase A, Neutral and Ground of output of UPS.
LED1 (red)	Power LED. It illuminates when the power is on, turns off when the power fails.
COM1	LBS Signal interface. Connect to NX series UPS unit.
COM2	RS485 interface. Connect to other Signal Adapter. Green LED: Communication Power is OK. Yellow LED: Adapter is connected to Non NX series UPS.
SWITCH	Switch to left: Connect to Non-NX series UPS unit. Switch to right: Connect to NX series UPS unit.

Table 2 Electrical rating

Description	Rating
Voltage	120V-277VAC
Frequency	45-65HZ
Current	0.2A Max

Table 3 Part number description

Description	Part Number
150 Meter Kit	NX150MLBSKIT
50 Meter Kit	NX050MLBSKIT

## The Company Behind the Products

With over a million installations around the globe, Liebert is the world leader in computer protection systems. Since its founding in 1965, Liebert has developed a complete range of support and protection systems for sensitive electronics:

- Environmental systems—close-control air conditioning from 1 to 60 tons
- Power conditioning and UPS with power ranges from 300 VA to more than 1000 kVA
- Integrated systems that provide both environmental and power protection in a single, flexible package
- Monitoring and control—from systems of any size or location, on-site or remote
- Service and support through more than 100 service centers around the world and a 24/7 Customer Response Center

While every precaution has been taken to ensure the accuracy and completeness of this literature, Liebert Corporation assumes no responsibility and disclaims all liability for damages resulting from use of this information or for any errors or omissions.

© 2006 Liebert Corporation  
All rights reserved throughout the world. Specifications subject to change without notice.

® Liebert and the Liebert logo are registered trademarks of Liebert Corporation. All names referred to are trademarks or registered trademarks of their respective owners.

**SL-25247 (2/06) Rev. 0**

### Emerson Network Power.

The global leader in enabling Business-Critical Continuity.

- |                    |                                |                                |
|--------------------|--------------------------------|--------------------------------|
| ■ AC Power Systems | ■ Embedded Power               | ■ Outside Plant                |
| ■ Connectivity     | ■ Power Protection             | ■ Precision Cooling            |
| ■ DC Power Systems | ■ Integrated Cabinet Solutions | ■ Site Monitoring and Services |

## Technical Support/Service

**Web Site**  
www.liebert.com

**Monitoring**  
800-222-5877  
monitoring@liebert.com  
Outside the US: 614-841-6755

**Single-Phase UPS**  
800-222-5877  
upstech@liebert.com  
Outside the US: 614-841-6755

**Three-Phase UPS**  
800-543-2378  
powertech@liebert.com

**Environmental Systems**  
800-543-2778

**Outside the United States**  
614-888-0246

### Locations

**United States**  
1050 Dearborn Drive  
P.O. Box 29186  
Columbus, OH 43229

**Italy**  
Via Leonardo Da Vinci 8  
Zona Industriale Tognana  
35028 Piove Di Sacco (PD)  
+39 049 9719 111  
Fax: +39 049 5841 257

**Asia**  
7/F, Dah Sing Financial Centre  
108 Gloucester Road, Wanchai  
Hong Kong  
852 25722201  
Fax: 852 28029250

**EmersonNetworkPower.com**



## Free Manuals Download Website

<http://myh66.com>

<http://usermanuals.us>

<http://www.somanuals.com>

<http://www.4manuals.cc>

<http://www.manual-lib.com>

<http://www.404manual.com>

<http://www.luxmanual.com>

<http://aubethermostatmanual.com>

Golf course search by state

<http://golfingnear.com>

Email search by domain

<http://emailbydomain.com>

Auto manuals search

<http://auto.somanuals.com>

TV manuals search

<http://tv.somanuals.com>