

## Back-of-Rack Cooling Module

Liebert XDR-W Rack Cooling Module

The Liebert XDR-W cooling modules are attached to the back of your selected racks, drawing hot air from the rack and cooling it to the point where the impact on the room is close to neutral, then discharging it back into the room. These modules are connected to a Liebert XDP-W coolant pumping unit, which acts as an isolating heat exchanger between the building chilled water source and the circulating cooling water.

The modular and adaptive design of the Liebert XDR-W unit also allows it to be easily added as the demand for cooling increases.



### Flexibility:

- Installs and configures easily
- Allows scalability for future growth.
- Provides flexible configuration to eliminate hot spots.

### Higher Availability:

- Provides built-in redundancy: A dual pump in the coolant distribution unit will keep the fluid flowing; if a fan in the cooling module shuts down, the others keep running.
- The pumping unit maintains the coolant to the XDR-W at a temperature always above the actual dewpoint, to prevent condensation.

### Lowest Total Cost of Ownership:

- Operates with the energy-efficient Liebert XDP-W coolant pumping unit, which can support up to 12 XDR-W modules.
- Saves energy by cooling at the heat source.

### Ideally Suited For:

- Applications where a hot aisle/cold aisle approach is not practical.

## Specifications

### Liebert XDR-W RackCooler™

Nominal Capacity	8 kW / 2.2 Ton
Nominal Airflow	1000 CFM (1700 m <sup>3</sup> /h)
Input Voltage	120 V, 1 ph, 60 Hz 230 V, 1 ph, 60 Hz
Full load amps	1.5A @ 120V
Height	55.5" (1410 mm)
Width	15" (381 mm)
Depth	6" (152 mm)
Weight	70 lbs (32 kg)

### Liebert Corporation

1050 Dearborn Drive  
P.O. Box 29186  
Columbus, Ohio 43229  
800 877 9222 Phone (U.S. & Canada Only)  
614 888 0246 Phone (Outside U.S.)  
614 841 6022 FAX

Via Leonardo Da Vinci 8  
Zona Industriale Tognana  
35028 Piove Di Sacco (PD)  
Italy  
39 049 9719 111 Phone  
39 049 5841 257 FAX

Emerson Network Power Asia Pacific  
7/F., Dah Sing Financial Centre  
108 Gloucester Rd, Wanchai  
Hong Kong  
852 25722201 Phone  
852 28029250 FAX

### liebert.com

### 24 x 7 Tech Support

800 222 5877 Phone  
614 841 6755 (outside U.S.)

While every precaution has been taken to ensure accuracy and completeness in this literature, Liebert Corporation assumes no responsibility, and disclaims all liability for damages resulting from use of this information or for any errors or omissions.

© 2007 Liebert Corporation. All rights reserved throughout the world. Specifications subject to change without notice.

All names referred to are trademarks or registered trademarks of their respective owners.

© Liebert and the Liebert logo are registered trademarks of the Liebert Corporation.

SL-16750 (R10/07) Printed in USA

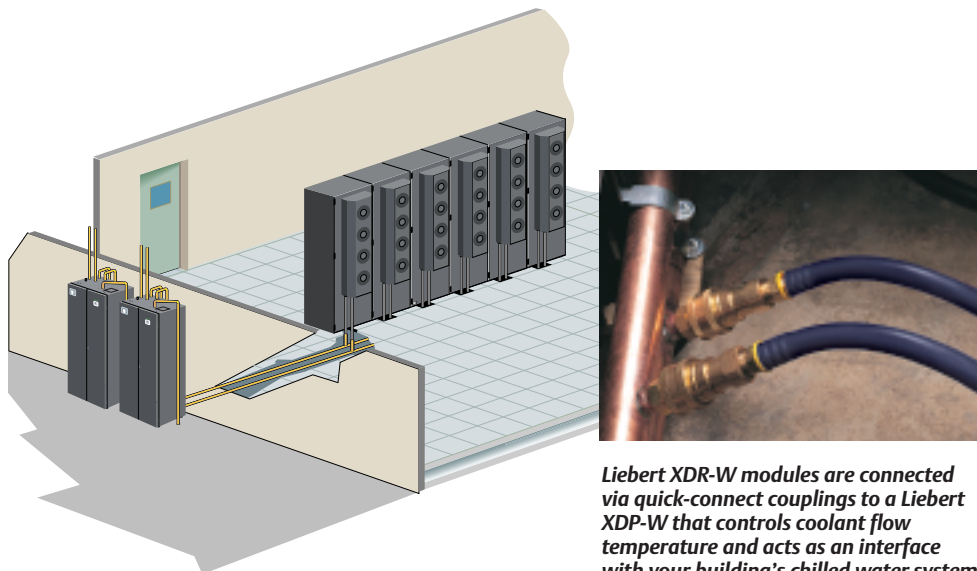
### Emerson Network Power.

The global leader in enabling *Business-Critical Continuity™*.

- AC Power
- Connectivity
- DC Power
- Embedded Computing
- Embedded Power
- Monitoring
- Outside Plant
- Power Switching & Controls
- **Precision Cooling**
- Racks & Integrated Cabinets
- Services
- Surge Protection

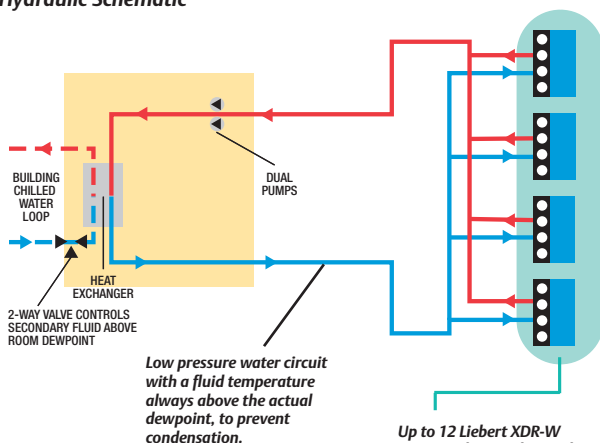
### Emerson Network Power.com

*Business-Critical Continuity*, Emerson Network Power and the Emerson Network Power logo are trademarks and service marks of Emerson Electric Co. ©2007 Emerson Electric Co.



*Liebert XDR-W modules are connected via quick-connect couplings to a Liebert XDP-W that controls coolant flow temperature and acts as an interface with your building's chilled water system through a heat exchanger.*

### Hydraulic Schematic



## Free Manuals Download Website

<http://myh66.com>

<http://usermanuals.us>

<http://www.somanuals.com>

<http://www.4manuals.cc>

<http://www.manual-lib.com>

<http://www.404manual.com>

<http://www.luxmanual.com>

<http://aubethermostatmanual.com>

Golf course search by state

<http://golfingnear.com>

Email search by domain

<http://emailbydomain.com>

Auto manuals search

<http://auto.somanuals.com>

TV manuals search

<http://tv.somanuals.com>