

- Dedicated, equipment-matched cooling supplies the proper temperature and water flow year round.
- Factory-tested, piped, wired and charged for hassle-free startup and operation.
- Clean, non-ferrous cooling loop, required for sensitive medical equipment.
- Local service and parts for quick and knowledgeable maintenance and service.
- Optional switch-over to alternate water source provides redundant, continuous operation.
- Optional remote monitoring systems keep you informed of chiller operation.
- UL/CSA listing on standard models.
- ISO 9001 certified company.

CLINAC 4/100, 6/100 & 600C Specifications

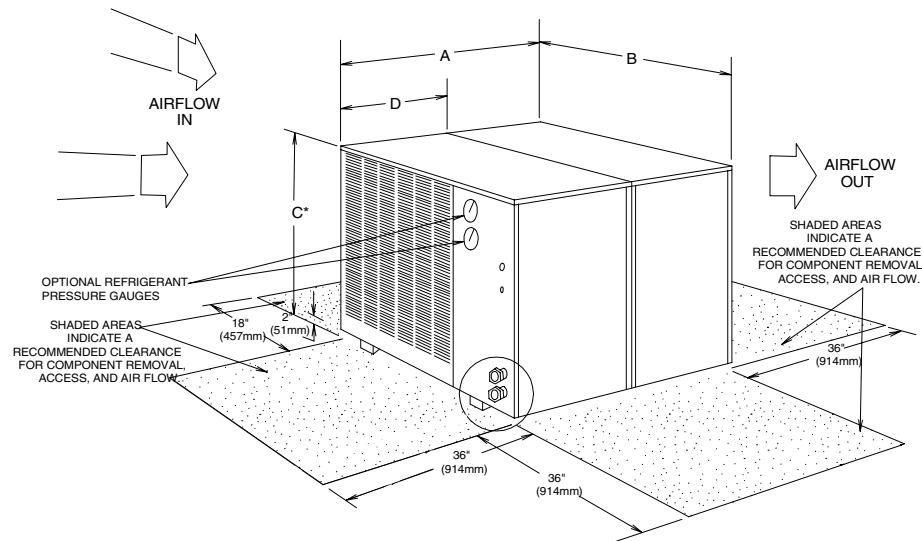
Fluid Specified	Water
Heat Dissipation—BTUH (kW)	23,900 (7)
Fluid Temperature Range—°F (°C)	50-70 (10-25)
Fluid Flow Rate—GPM (l/m)	1 (3.8)
Fluid Pressure Drop—PSI (kPa)	25-40 (172-276)

Note: Performance is based on 95°F condenser ambient.

Process Fluid Chiller Specifications

Model Number	PS024A	PS036A	PS036A
Fluid Circulated	Water	Ethylene Glycol	Propylene Glycol
Net Cooling Capacity—BTUH (kW)	24,300 (7.1)	24,400 (7.2)	23,900 (7.0)
Leaving Fluid Temperature—°F (°C)	61 (16.1)	47 (8.3)	50 (10)
Fluid Flow Rate—GPM (l/m)	1.3 (4.9)	1.5 (5.7)	1.6 (6.1)
CLINAC Pressure Drop—PSI (kPa)	* (*)	* (*)	* (*)
Chiller Pressure Drop—PSI (kPa)	6.3 (43.4)	2.3 (15.9)	2.8 (19.3)
Pump Total Head—PSI (kPa)	41 (282.7)	41 (282.7)	41 (282.7)
Pump HP (kW)	3/4 (.56)	3/4 (.56)	3/4 (.56)

*Data not available



UNIT DIMENSIONAL DATA

Model No.	A-Depth in. (mm)	B-Width in. (mm)	C-Height in. (mm)	Weight lbs. (kg)	Voltage (60 Hz)	Voltage (50 Hz)
PS018A	36 (914)	40 (1016)	25.25 (641)	394 (178)	208/230, 1-phase	200/230, 1-phase
PS024A	36 (914)	40 (1016)	25.25 (641)	404 (183)	208/230, 1-phase	200/230, 1-phase
PS036A	36 (914)	48 (1219)	32.5 (825)	515 (233)	460, 3-phase 208/230, 1- or 3-phase	400, 3-phase 200/230, 1- or 3-phase
PS048A	36 (914)	53 (1346)	38.5 (978)	592 (268)	460, 3-phase 208/230, 3-phase	400, 3-phase 200/230, 1- or 3-phase
PS060A	36 (914)	53 (1346)	38.5 (978)	642 (291)	460, 3-phase 208/230, 3-phase	400, 3-phase 200/230, 1- or 3-phase

Standard Features

- Indoor/outdoor cabinet
- Hermetic compressor
- Refrigerant dehydrator
- Expansion valve
- Refrigerant receiver
- Stainless steel fluid reservoir expansion tank
- Pressure relief valve
- Hot gas bypass valve capacity control

Optional Features

- Refrigerant gauges and reservoir heater
- Stainless steel pump

Accessories

- Emergency water bypass
- Enviro-source emergency bypass
- Water level control and alarm system
- Fluid pressure gauge
- Check valve
- Dial thermometer
- Relief valve
- Circuit setter
- Ball valve
- High temperature thermostat
- Low flow switch
- Liebert RCM8 monitor



1050 Dearborn Drive
P.O. Box 29186
Columbus, OH 43229
Phone: 800.877.9222
Fax: 614.841.6022

Via Leonardo Da Vinci 8
Zona Industriale Tognana
35028 Piove Di Sacco
Italy
Phone: 39.049.9719.111
Fax: 39.049.5841257

23/F Allied Kajima Bldg.
138 Gloucester Road
Wanchai
Hong Kong
Phone: 852.2.572.2201
Fax: 852.2.572.1182

©2000 Liebert Corporation. All rights reserved throughout the world. Specifications subject to change without notice.
©Liebert and the Liebert logo are registered trademarks of Liebert Corporation. All names referred to are trademarks or registered trademarks of their respective owners.

Liebert Web Site—<http://www.liebert.com>

SL-16548 (07/00)

Free Manuals Download Website

<http://myh66.com>

<http://usermanuals.us>

<http://www.somanuals.com>

<http://www.4manuals.cc>

<http://www.manual-lib.com>

<http://www.404manual.com>

<http://www.luxmanual.com>

<http://aubethermostatmanual.com>

Golf course search by state

<http://golfingnear.com>

Email search by domain

<http://emailbydomain.com>

Auto manuals search

<http://auto.somanuals.com>

TV manuals search

<http://tv.somanuals.com>