



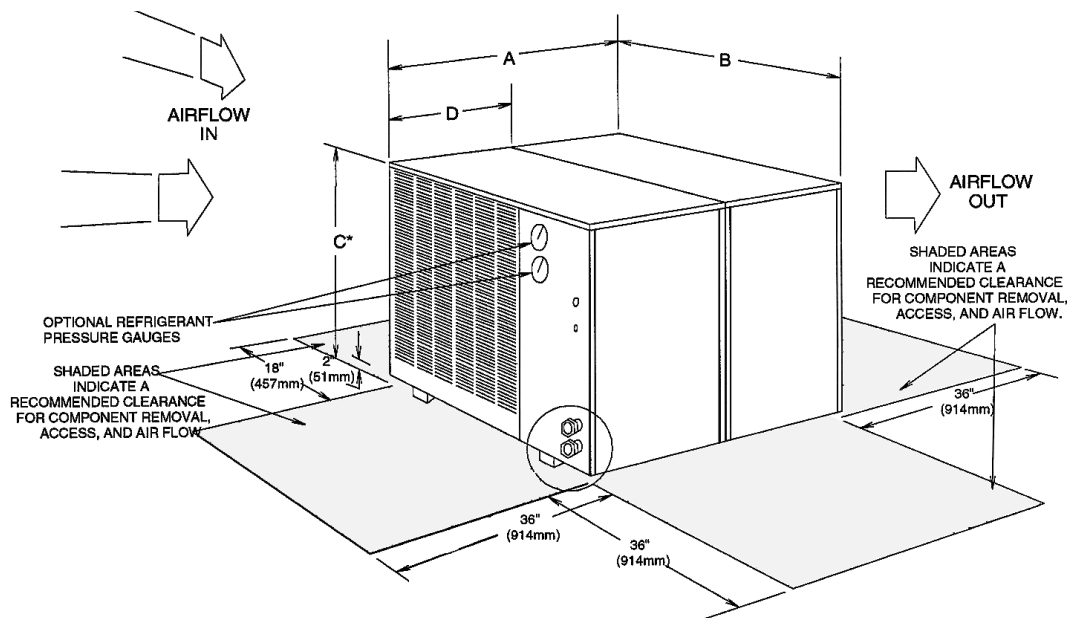
- Dedicated, equipment-matched cooling supplies the proper temperature and water flow year round.
- Factory-tested, piped, wired, and charged for hassle-free start-up and operation.
- Clean, non-ferrous cooling loop, required for sensitive medical equipment.
- Local service and parts for quick and knowledgeable maintenance and service.
- Optional switch-over to alternate water source provides redundant continuous operation.
- Optional remote monitoring systems keep you informed of chiller operation.
- Standard product ETL/CSA certified.
- ISO 9000 certified company.

Signa Horizon & CV Specifications

Fluid Specified	Water/Glycol
Max Heat Dissipation - BTUH (kW)	28,320 (8.3)
Fluid Temperature Range, °F (°C)	40-82 (4-28)
Temperature Gradient	N/A
Fluid Flow Rate - GPM (l/m)	2.1 (8.0)
Fluid Pressure Drop - PSI (kPa)	36.0 (248)

Liebert Process Chiller Specifications

	PS036A	PS036A	PS036A
Model Number	PS036A	PS036A	PS036A
Fluid Circulated	Water	Ethylene Glycol	Propylene Glycol
Net Cooling Capacity - BTUH (kW)	29,500 (8.6)	29,600 (8.7)	28,800 (8.4)
Leaving Fluid Temperature °F (°C)	50 (10)	53 (11.7)	56 (13.3)
Fluid Flow Rate - GPM (l/m)	5.3 (20.1)	5.3 (20.1)	5.3 (20.1)
Signa Horizon & CV Pressure Drop - PSI (kPa)	36.0 (248)	48 (331)	55.1 (380)
Chiller Pressure Drop - PSI (kPa)	5.1 (35.2)	6.8 (46.9)	7.8 (53.8)
Pump Total Head - PSI (kPa)	64.9 (448)	64.9 (448)	64.9 (448)
Pump HP (kW)	3 (2.2)	3 (2.2)	3 (2.2)



UNIT DIMENSIONAL DATA

Model No.	A-Width Inches (mm)	B-Height Inches (mm)	C-Depth Inches (mm)	Weight Lbs. (kg)	Voltage (60 Hz)	Voltage (50 Hz)
PS036A	36 (914)	48 (1219)	32.5 (825)	515 (233)	460, 3-phase 208/230, 1- or 3-phase	400, 3-phase 200/230, 1- or 3-phase

Standard Features

- Indoor/outdoor cabinet
- Hermetic compressor
- Refrigerant dehydrator
- Expansion valve
- Refrigerant receiver
- Stainless steel expansion tank
- Pressure relief valve
- Hot gas bypass capacity control valve
- Stainless steel pump

Optional Features

- Refrigerant gauges and expansion tank heater

Required Options

- 3 HP pump, SFA #E6569-06
- Bypass leg from supply to return with circuit setter on supply line and ball valve on bypass line, SFA #E6483-1

Optional Ship-Loose Accessories

- Emergency Water Switchover (EWS) module
- Enviro-source emergency bypass
- Fluid pressure gauge
- Check valve
- Dial thermometer
- Relief valve
- Circuit setter
- Ball valve
- High temperature thermostat
- Low flow switch
- Liebert RCM4 remote alarm monitor



1050 Dearborn Drive
P.O. Box 29186
Columbus, OH 43229
Phone: 800.877.9222
Fax: 614.841.6022

Via Leonardo Da Vinci 8
Zona Industriale Tognana
35028 Piove Di Sacco (PD)
Italy
Phone: +39 049 9719 111
Fax: +39 049 5841 257

23F, Allied Kajima Bldg.
138 Gloucester Road
Wanchai
Hong Kong
Phone: +852 2 572 2201
Fax: +852 2 831 0114



©2004 Liebert Corporation. All rights reserved throughout the world. Specifications subject to change without notice.
®Liebert and the Liebert logo are registered trademarks of Liebert Corporation. All names referred to are trademarks or registered trademarks of their respective owners.

Liebert Web Site—<http://www.liebert.com>

SL-16558 (2/04)

Free Manuals Download Website

<http://myh66.com>

<http://usermanuals.us>

<http://www.somanuals.com>

<http://www.4manuals.cc>

<http://www.manual-lib.com>

<http://www.404manual.com>

<http://www.luxmanual.com>

<http://aubethermostatmanual.com>

Golf course search by state

<http://golfingnear.com>

Email search by domain

<http://emailbydomain.com>

Auto manuals search

<http://auto.somanuals.com>

TV manuals search

<http://tv.somanuals.com>