

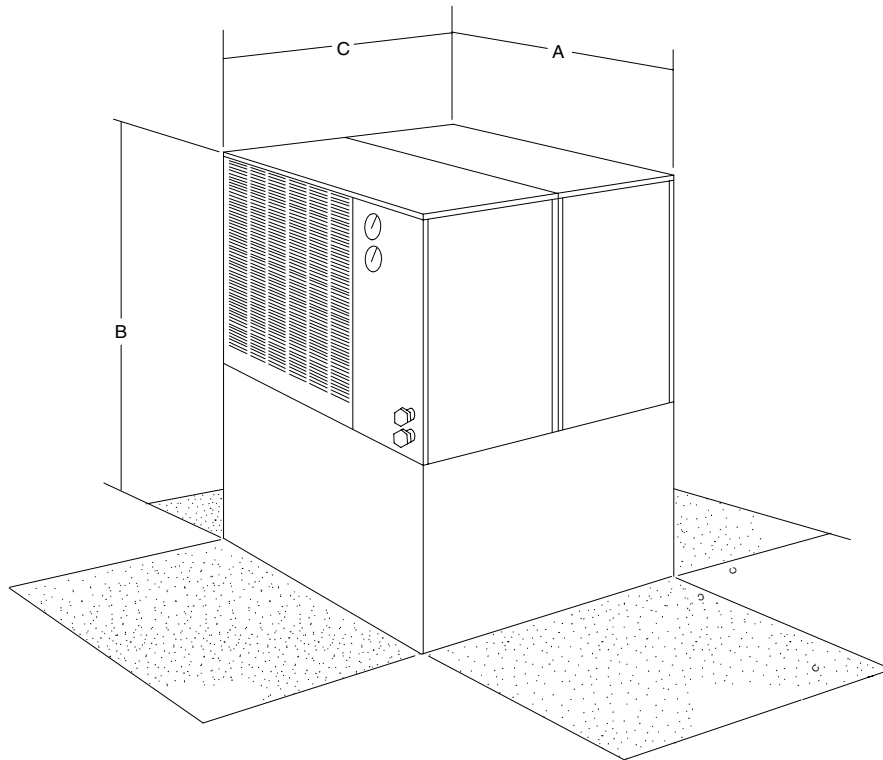
- Dedicated, equipment-matched cooling supplies the proper temperature and water flow year round.
- Factory-tested, piped, wired and charged for hassle-free startup and operation.
- Clean, non-ferrous cooling loop, required for sensitive medical equipment.
- Local service and parts for quick and knowledgeable maintenance and service.
- Optional switch-over to alternate water source provides redundant, continuous operation.
- Optional remote monitoring systems keep you informed of chiller operation.
- ETL/CSA certified.
- ISO 9001 certified company.

MX8000 Specifications

Fluid Specified	Water or Glycol
Max Heat Dissipation—BTUH (kW)	32,400 (9.5)
Fluid Temperature Range—°F (°C)	36-57 (2-14)
Temperature Gradient	0.5°C/min
Fluid Flow Rate—GPM (l/m)	4.4 (16.7)
Fluid Pressure Drop—PSI (kPa)	2.2 (15)

Process Fluid Chiller Specifications

Model Number	PS048A	PS048A	PS048A
Fluid Circulated	Water	Ethylene Glycol	Propylene Glycol
Net Cooling Capacity—BTUH (kW)	41,200 (12.1)	38,300 (11.2)	36,500 (10.7)
Leaving Fluid Temperature—°F (°C)	48 (8.9)	48 (8.9)	48 (8.9)
Fluid Flow Rate—GPM (l/m)	8 (30.4)	8 (30.4)	8 (30.4)
MX8000 Pressure Drop—PSI (kPa)	2.2 (15.2)	2.2 (15.2)	2.2 (15.2)
Chiller Pressure Drop—PSI (kPa)	8.2 (56.5)	11.1 (76.5)	13.1 (90.3)
Pump Total Head—PSI (kPa)	46.8 (322.7)	46.8 (322.7)	46.8 (322.7)
Head Available for Piping Circuit—PSI (kPa)	36.4 (251)	33.5 (231)	31.5 (217.2)
Pump HP (kW)	1 (0.75)	1 (0.75)	1 (0.75)



Model No.	A - Width Inches (mm)	B - Height Inches (mm)	C - Depth Inches (mm)	Weight Lbs. (kg)
PS048A	53 (4684)	63 (1600)*	36 (918)	532 (241)

* Includes added dimensions for thermal storage tank.

Standard Features

- Indoor/outdoor cabinet
- Scroll compressor
- Refrigerant dehydrator
- Expansion valve
- Refrigerant receiver
- Stainless steel expansion tank
- Pressure relief valve
- Hot gas bypass valve capacity control
- Stainless steel pump

Optional Features

- Refrigerant gauges and expansion tank heater

Optional Ship-Loose Accessories

- Alternate water source (AWS) module
- Enviro-source emergency bypass
- Fluid pressure gauge
- Check valve
- Dial thermometer
- Relief valve
- Circuit setter
- Ball valve
- High temperature thermostat
- Low flow switch
- Liebert RCM4 remote alarm monitor

Required Special Options

- SFA#7055-6, 50 gallon internal storage tank



1050 Dearborn Drive
P.O. Box 29186
Columbus, OH 43229
Phone: 800.877.9222
Fax: 614.841.6022

Via Leonardo Da Vinci 8
Zona Industriale Tognana
35028 Piove Di Sacco
Italy
Phone: 39.049.9719.111
Fax: 39.049.5841257

23/F Allied Kajima Bldg.
138 Gloucester Road
Wanchai
Hong Kong
Phone: 852.2.572.2201
Fax: 852.2.572.1182

©2000 Liebert Corporation. All rights reserved throughout the world. Specifications subject to change without notice.
©Liebert and the Liebert logo are registered trademarks of Liebert Corporation. All names referred to are trademarks or registered trademarks of their respective owners.

Liebert Web Site—<http://www.liebert.com>

SL-16559 (07/00)

Free Manuals Download Website

<http://myh66.com>

<http://usermanuals.us>

<http://www.somanuals.com>

<http://www.4manuals.cc>

<http://www.manual-lib.com>

<http://www.404manual.com>

<http://www.luxmanual.com>

<http://aubethermostatmanual.com>

Golf course search by state

<http://golfingnear.com>

Email search by domain

<http://emailbydomain.com>

Auto manuals search

<http://auto.somanuals.com>

TV manuals search

<http://tv.somanuals.com>