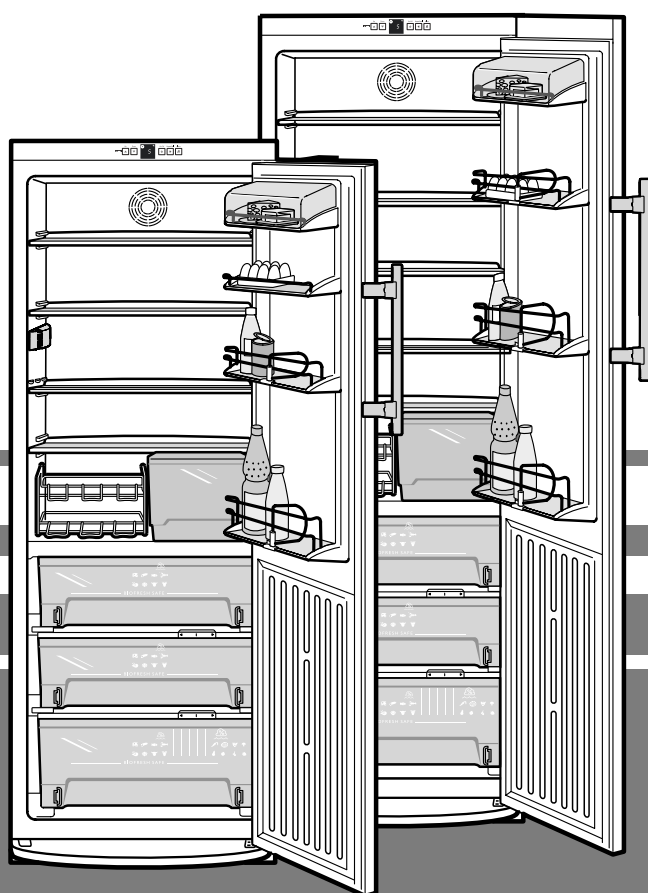


Operating instructions

for upright refrigerators with BioFresh compartment

GB

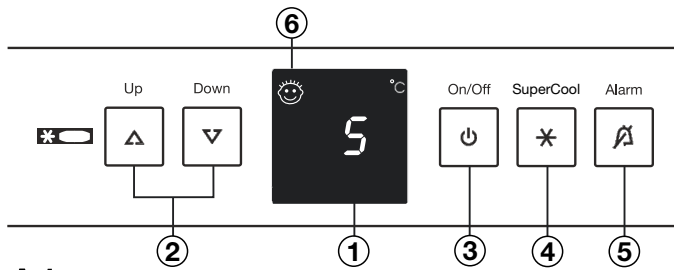


7082 212 - 02

KB/SKB/es 3006

LIEBHERR

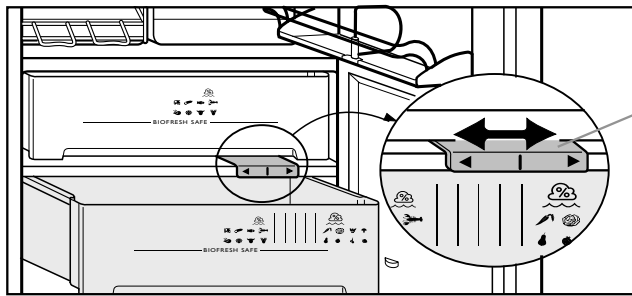
The appliance at a glance



A1

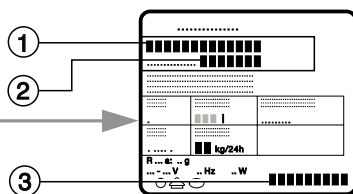
Operating and control elements, fig. A1

- ① Temperature display and setting display
- ② Temperature buttons:
UP = higher, DOWN = lower, recommended setting: 5°C
- ③ On/off button
- ④ SuperCooling button; lit = function activated.
For fast cooling of food. Switches off automatically after approx. 6 hours.
- ⑤ Audible warning on/off button for door open alarm
- ⑥ Child-proof lock display, lit = function activated, prevents the appliance from being switched off accidentally. See 'Additional functions' for more information.



Humidity setting in BioFresh drawer, fig. A2:
slider to left: dry, slider to right: humid

A2



A3

Type/Data plate, fig. A3

- ① Type designation
- ② Service number
- ③ Appliance number

Description of appliance and equipment

Refrigerator, approx. 5°C

- Rear transport grips
- Operating and control elements
- Butter and cheese compartment
- Adjustable storage shelves
- Egg tray*
- Adjustable-height jar rack
- Adjustable bottle holder*
- Interior light*
- Sectioned shelf*
- Bins for cold-sensitive vegetables, salad, fruit
- Bottle rack
- Door rack for large bottles and drinks

BioFresh compartment, 0°C to 3°C

- Coldest area of the refrigerator compartment, suitable for cold-sensitive and highly perishable foods
- Drawer for dry or wrapped food
- Defrost drain
- Drawer with adjustable humidity for storing salad, vegetables and fruit in a humid climate
- Type/Data plate, fig. A3
- Adjustable-height feet, front transport grips, transport castors at back

A

Congratulations on your purchase. In choosing this appliance you have opted for all the benefits of state-of-the-art refrigeration technology, guaranteeing you top quality, a long life span and excellent reliability. The features on your appliance have been designed to ensure maximum convenience - day in, day out. This appliance has been manufactured with recyclable materials using an environmentally friendly process, so together you and we are making an active contribution to the preservation of our environment. To get to know all the benefits of your new appliance, please read the information contained in these operating instructions carefully. We wish you much pleasure with your new appliance.

Keep these operating instructions in a safe place and pass them on to the next owner, where applicable. The operating instructions apply to several models. Differences may therefore occur.

| | |
|--|-------------|
| Contents | Page |
| Operating instructions | |
| The appliance at a glance | 12 |
| Contents | 13 |
| Safety regulations | 13 |
| Notes on energy saving | 13 |
| Safety instructions and warnings | 14 |
| Disposal notes | 14 |
| Setting up | 14 |
| Connecting to the mains | 14 |
| Operation and control elements | 15 |
| Switching the appliance on and off | 15 |
| Setting the temperature | 15 |
| Temperature display | 15 |
| Audible warning signal | 15 |
| SuperCooling | 15 |
| Additional functions | 15 |
| Child-proof lock | 15 |
| Display brightness* | 15 |
| Temperature in the BioFresh compartment | 15 |
| Refrigerator compartment | 16 |
| BioFresh compartment | 17 |
| Storage times | 17 |
| Defrosting, cleaning | 18 |
| Interior light | 19 |
| Troubleshooting | 19 |
| Customer service and type plate | 19 |
| Instructions for installation and modification | |
| Dimensions | 20-21 |
| Changing over door hinges | 20-21 |
| Notes on assembling decor panels | 21 |

Safety regulations



- The appliance is intended for chilling food. It is designed as a household appliance. If used commercially, the relevant regulations on commercial use must be observed.
- The appliance is set to operate within specific ambient temperature limits according to its climate rating. These temperature limits should not be exceeded. The correct climate rating for your appliance is indicated on the type plate. This is explained as follows:

| Climate rating | Set for ambient temperatures of |
|----------------|---------------------------------|
| SN | +10°C to +32°C |
| N | +16°C to +32°C |
| ST | +18°C to +38°C |
| T | +18°C to +43°C |

- The refrigerant circuit has been tested for leaks.
- The appliance complies with current safety regulations and EC directives 73/23/EEC and 89/336/EEC.

Notes on energy saving



- Ensure that there is adequate space around the appliance for ventilation and air extraction.
- Avoid keeping the door open for too long.
- Store food logically. Do not exceed the storage period specified.
- Always allow hot food to cool to room temperature before placing in the appliance.
- Keep the appliance door shut in the event of a breakdown. This will delay the cold loss and will help to maintain the quality of the chilled food for longer.

Safety instructions and warnings

Disposal notes

The packaging is made of recyclable materials.



- Corrugated board/board
- EPS moulded parts
- Polythene sheets
- Polypropylene straps

- **Keep packaging materials away from children - polythene sheets and bags can cause suffocation!**
- Please return the packaging to an official collection point.

Your old appliance: This contains some reusable materials and should be disposed of properly - not simply with unsorted household refuse.



- Discarded appliances should be disabled: Remove the plug, cut through the connection cable and render the catch unusable so that children cannot become trapped inside.
- Ensure that the refrigerant circuit is not damaged when the appliance that is no longer needed is taken away for disposal.
- Details of the refrigerant can be found on the type plate.
- Appliances which are no longer needed must be disposed of in a professional and appropriate way, in accordance with the current local regulations and laws.

Technical safety

- To prevent injury or damage to the unit, the appliance should only be transported wrapped and set up by two people.
- The refrigerant R 600a is environmentally friendly but flammable.
- Do not damage the refrigerant circuit pipes. Splashes of refrigerant can harm your eyes or ignite.
- If refrigerant escapes, remove all naked flames or sources of ignition in the vicinity of the leak, disconnect the appliance from the mains and ventilate the area well.
- In the event that the appliance is damaged, contact the supplier immediately before connecting to the mains.
- To guarantee safe operation, ensure that the appliance is set up and connected as described in these operating instructions.
- Disconnect the appliance from the mains if any fault occurs. Pull out the plug (not by pulling on the mains cable) or switch off or remove the fuse.
- **Any repairs and work on the appliance should only be carried out by the customer service department, as unauthorised work could prove highly dangerous for the user.** The same applies to changing the mains power cable.



Safety during use

- Do not store explosives or sprays using combustible propellants such as butane, propane, pentane, etc. in the appliance. Electrical components might cause leaking gas to ignite. You can identify such sprays by the printed contents or a flame symbol.
- Only store high-percentage alcohol in tightly sealed, upright containers.
- Do not allow naked flames or ignition sources to enter the appliance.
- Do not use electrical appliances inside the appliance (e.g. steam cleaners, heaters, ice makers, etc.).
- Do not stand on the plinth, drawers or doors or use them to support anything else.
- This appliance is not intended for use by persons (including children) with reduced physical, sensory or mental capabilities or lack of experience and knowledge unless they have been given initial supervision or instruction concerning use of the appliance by a person responsible for their safety. Children should be supervised to ensure that they do not play with the appliance.
- Avoid prolonged skin contact with cold surfaces or chilled/frozen food. This could cause pain, numbness and frostbite.

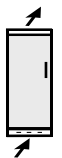


In the case of prolonged skin contact, protective measures should be taken, e.g. gloves should be worn.

- Do not consume food which has been stored for too long, as it could cause food poisoning.

Setting up

- When setting up/fitting ensure that the refrigerant circuit pipes are not damaged.
- Once in position, use the 10 spanner provided to adjust the feet so that the appliance is level and does not wobble.
- Avoid positioning in direct sunlight or next to an oven, radiator or similar, in damp locations or near spraying water.
- Standard EN 378 specifies that the room in which you install your appliance must have a volume of 1 m³ per 8 g of R 600a refrigerant used in the appliance, so as to avoid the formation of inflammable gas/air mixtures in the room where the appliance is located in the event of a leak in the refrigerant circuit. The quantity of refrigerant used in your appliance is indicated on the type plate on the inside of the appliance.
- **The ventilation grilles should not be obstructed. Always ensure that there is good ventilation and that the outward flowing air is able to escape.**
- Condensation may form on the outside of the refrigerator/freezer during periods of high humidity. Constant ventilation of the installation site is recommended. Please note the appendix concerning installation instructions.
- Do not place heat-emitting appliances, e.g. microwave oven, toaster, etc., on top of the refrigerator or freezer.
- Remove all transportation safety components.



Connecting to the mains

Power supply (AC) and voltage

at the operating point must comply with the details on the type plate, which is located inside the appliance on the left, fig. A.

- **Connect the appliance with a properly earthed fused plug and socket only.**
- The socket must be fused with a 10 A fuse or higher, it must be away from the rear of the appliance and must be easily accessible.
- **Do not**
 - connect to stand-alone inverters*,
 - operate with so-called energy-saving plugs - this can damage the electronic system,
 - connect to the supply with other equipment using an extension cable - risk of overheating.
- When removing the mains cable from the back of the appliance, remove the **cable holder** so as to avoid vibration noise.



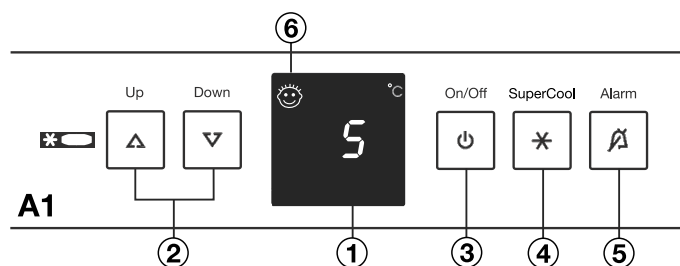
The wires in the mains lead are coloured in accordance with the following code: green/yellow = earth, blue = neutral, brown = live. **Warning! This appliance must be earthed.**

Non-rewireable plugs BS 1363

If this machine or appliance is fitted with a non-rewireable plug, the following information applies: If the socket outlets are not suitable for the plug supplied with this product, it must be cut off and an appropriate plug fitted. The plug cut from the flexible cord should be disposed of and on no account be inserted into a 13 A socket elsewhere in the house (electric shock hazard).

The fuse cover **must** be re-fitted when changing the fuse, and if the fuse cover is lost the plug **must not** be used until a suitable replacement is obtained. The colour of the correct replacement cover is that of the coloured insert in the base of the plug, or the colour that is embossed in words on the base of the plug (as applicable to the design of the plug fitted). The correct rating of the replacement fuses that are ASTA approved to BS 1362 should be fitted. Replacement fuse covers may be purchased from your local electrical suppliers, electricity showroom or approved service agent.

Operation and control elements



You are advised to clean the appliance before switching it on for the first time (see "Cleaning").

Switching the appliance on and off

- **Switching on:** Press the on/off button ③ so that the temperature display lights up or flashes.
 - The lighting will light up when the door is open.
- **Switching off:** Press the on/off button for approx. two seconds so that the temperature display goes out.

Setting the temperature

The appliance is pre-set for normal operation. We recommend temperatures of +5°C in the refrigerator.

In the refrigerator:

- **To reduce the temperature:**
Press the DOWN button ②.
- **To increase the temperature:**
Press the UP button ②.
- While you are entering the temperature, the **set temperature will flash** on the display.
- When you press the temperature setting buttons for the first time, the **most recent setting** (known as the "**reference setting**") is displayed.
- You can change the settings in increments of 1°C by briefly pressing the buttons again. If the buttons are held down the temperature setting will change faster.
- The system switches over automatically about 5 seconds after the button was last pressed and displays the **average** cooling temperature (known as the "**actual setting**").
- You can change the temperatures in the refrigerator between 9°C and 4°C.
- The temperature in the **BioFresh compartment** is controlled **automatically**, between 0°C and 3°C. If you require a higher or lower temperature, e.g. for storing fish, you can alter the temperature setting in the BioFresh compartment. See "Additional functions" for more information.

Temperature display

The **average temperature in the refrigerator compartment** is displayed in normal mode.

If "F0" to "F5" appears in the display, the appliance has a fault. Consult the customer service department indicating the fault number displayed, so that they can arrange for your appliance to be serviced accurately and quickly.

Audible warning signal

The audible warning signal helps you to protect the food in your refrigerator and save energy.

- It will sound when the **door has been open for longer than about 1 minute**.
- **The signal will stop** when you press the audible warning on/off button ⑤,
 - and when you close the door.
- The audible warning on/off button only works when the door is open. Once the door is shut, the alarm **function** automatically switches to standby.

SuperCooling

The SuperCooling function switches the appliance to the coldest chilling setting.

It is ideal if you want to chill **large** quantities of food, drinks or freshly prepared cakes or meals very quickly or if you want greater humidity, e.g. for salad leaves.

- **To switch on:** Press the SuperCooling button ④ briefly so that it lights up. The refrigerator temperature will drop to its lowest value.

NB: The SuperCooling function uses slightly more energy. After approx. 6 hours, however, the appliance switches back **automatically** to normal energy-saving operation.

Additional functions

In set-up mode you can set the **child-proof lock**, adjust the **brightness of the display*** and set the **temperature** in the **BioFresh compartment** slightly lower or higher.

Activating set-up mode:

- Press SuperCooling button for approx. 5 secs - the SuperCooling button flashes - the display shows **c** for child-proof lock.

Note: the value to be altered flashes.

- Select the required function by pressing the Up/Down button:

c = child-proof lock,
h = brightness or
b = BioFresh temperature.

- Now select/acknowledge function by pressing SuperCooling button briefly:

- For **c** = **child-proof lock**, press the Up/Down button to select **c1** = child-proof lock **on** or **c0** = child-proof lock **off** and acknowledge with the SuperCooling button. When the symbol ☺ is lit, the child-proof lock is activated.

- For **h** = **brightness**, press Up/Down button to select **h1** = **minimum** to **h5** = **maximum** brightness and acknowledge with the SuperCooling button.

- For **b** = **BioFresh temperature**, press the Up/Down button to select from **b1** = **lowest** to **b9** = **highest** setting and confirm with the SuperCooling button. The altered BioFresh temperature adjusts slowly to the new value.

NB: b5 = factory setting. By decreasing the temperature, "b4" to "b1", minus temperatures can be reached and the food in the BioFresh compartment will freeze slightly.

Exit set-up mode:

- To exit the set-up mode, press the On/Off button; after 2 mins. the electronic system switches over automatically.
 - The normal operating mode is activated again.

GB

Refrigerator compartment

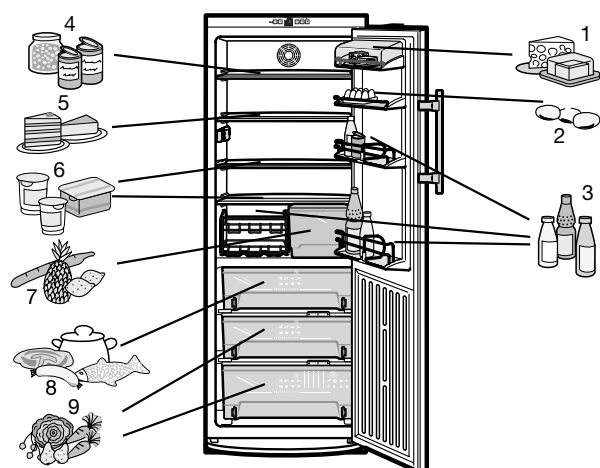


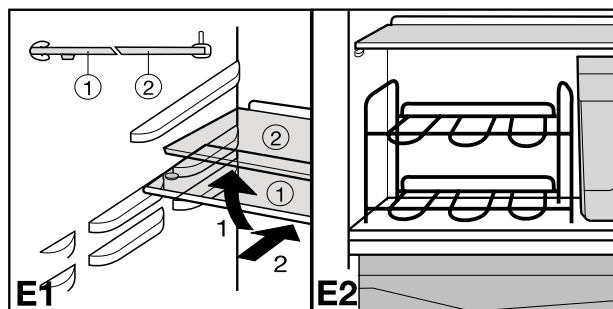
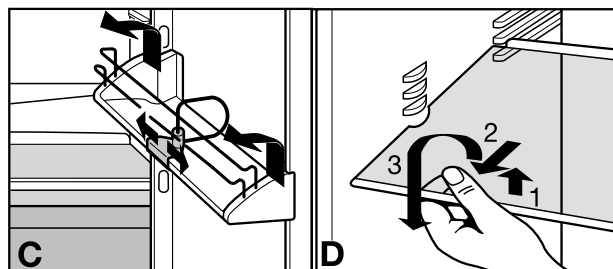
Fig. B:

Refrigerator:

- 1 butter, cheese
- 2 eggs
- 3 drinks, cans, bottles
- 4 preserves
- 5 baked goods
- 6 dairy products
- 7 tropical fruits, cold-sensitive vegetables

BioFresh compartment:

- 8 meat and sausage products, fish, pre-cooked meals
- 9 salad, fruit, vegetables; see "BioFresh compartment" for more information



Arranging food in the refrigerator

Because of the natural circulation of air in the refrigerator compartment, the temperature in different parts of the refrigerator will differ, each area being suitable for different types of food. The refrigerator is coldest just above the vegetable bins and against the rear wall; it is warmest at the front at the top and in the door (suitable for spreadable butter, cheese etc.). See fig. B for food storage suggestions.

Notes on cooling

- Store food so that air can circulate properly around it. Do not pack the refrigerator too full. **Do not** cover the fan slits* at the back, otherwise the refrigerating capacity will be impaired!
- Food which gives off or absorbs odours and flavours, and liquids should always be stored covered or in closed containers.
- Always store food which gives off or is sensitive to ethylene gases such as fruit, vegetables and salads separately or wrapped in order not to affect their storage life; e.g. do not store tomatoes together with kiwis or cabbage.

Changing shelf arrangement

You can re-arrange the height of the shelves and door racks as required.

- **Re-positioning the door racks**, fig. C: Slide the door rack up, pull out towards you and replace in reverse order.
- By adjusting the **bottle holder** you can protect the bottles from falling over when the door is opened and closed. Always hold by the plastic handle.
- **Re-positioning the shelves**, fig. D:
 - Lift the shelf, slide forwards and remove. Always insert shelves with the raised edge at the back pointing upwards, otherwise food may freeze onto the rear wall.
 - The glass shelves are fitted with stops to prevent them being pulled out accidentally.
 - If you require space for large bottles and containers, lift the **front half** of the split glass shelf* and carefully slide it under the back half until the stops click into the recesses, fig. E1.
 - The **bottle rack*** (fig. E2) provides additional chilling space for bottles up to 300 mm in height.
 - In order to utilise additional storage space in the refrigerator compartment, the vegetable bin 7, fig. B, can be removed.

BioFresh compartment

The BioFresh compartment enables you to keep a range of **fresh food** fresh for up to three times as long as you would in a standard refrigerator, thus making your stocks last longer. Taste, freshness and nutritional value (vitamin B and C group content) remain largely intact. Spoilage and weight loss in vegetables and fruit are reduced, leaving food more fresh and natural.

The automatically controlled storage temperature, which is kept between 0°C and 3°C, and the resultant humidity provide the ideal storage conditions for different types of food.

The top drawer 8,

fig. B, is suitable for storing **dry or wrapped** food (e.g. dairy products, meat, fish, cold meats). The storage climate in this drawer is relatively **dry**.

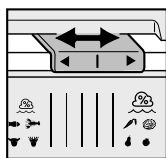
Drawers with humidity control 9,

Fig. B: When set to "humid" these drawers can be used for storing unwrapped salad, vegetables and fruit. When the drawer is full, the climate will be "dew-fresh", with approximately 90% humidity.

You can set the humidity in this drawer to dry or moist **as required**.

Humidity selection:

- **"dry" setting: small humidity symbol** - slide control to left. Insert food that is suitable for being stored in a dry climate.
- **"humid" setting: high relative humidity of max. 90%, large humidity symbol** - slide control to right. This setting is suitable for storing unwrapped food with a high moisture content such as fresh lettuce.



Notes:

- The humidity in the compartment depends on the moisture content of the food in it, and the frequency with which the compartment is opened.
- When buying food, check that it is fresh - the fresher the product and the higher its quality, the longer it will keep.
- Unwrapped animal and vegetable foods should be stored separately in the drawers. If there is not enough space for them to be stored separately, make sure that they are wrapped. Do not allow different types of meat to come into contact with one another but keep them packaged separately so as to avoid premature bacterial spoilage.
- Please note that protein-rich food spoils more quickly, i.e. crustaceans and shellfish spoil faster than fish, and fish faster than meat.
- Remove food from the drawers some time before consumption. Enjoyment will be enhanced in this way as the aroma and flavour develop best at room temperature.
- The following products should **not** be stored in the BioFresh compartment: cold-sensitive vegetables such as cucumber, peppers, aubergines, avocados, semi-ripe tomatoes, beans, zucchini, and all cold-sensitive tropical fruits.

Storage times

for food in the BioFresh compartment:



Dry setting

| | | |
|--------------------|-------|---------|
| butter | up to | 30 days |
| cheese, soft | up to | 30 days |
| milk, fresh | up to | 7 days |
| | | |
| sausage, cold cuts | up to | 7 days |
| fish | up to | 4 days |
| shellfish | up to | 3 days |
| poultry | up to | 5 days |
| pork | | |
| large portions | up to | 7 days |
| cut up | up to | 5 days |
| beef | up to | 7 days |
| game | up to | 7 days |



Humid setting Vegetables, salad

| | | |
|-------------------------|-------|----------|
| artichokes | up to | 21 days |
| asparagus | up to | 14 days |
| broccoli | up to | 14 days |
| Brussels sprouts | up to | 30 days |
| cabbage | up to | 180 days |
| carrots | up to | 150 days |
| cauliflower | up to | 21 days |
| celery | up to | 30 days |
| chicory | up to | 30 days |
| Chinese cabbage | up to | 14 days |
| curly kale | up to | 14 days |
| fennel | up to | 21 days |
| garlic | up to | 180 days |
| green onions | up to | 7 days |
| herbs | up to | 30 days |
| iceberg salad, endives, | | |
| lamb's lettuce | up to | 21 days |
| kohlrabi | up to | 14 days |
| leeks | up to | 60 days |
| lettuce | up to | 10 days |
| mushrooms | up to | 7 days |
| peas | up to | 10 days |
| radicchio | up to | 21 days |
| radishes | up to | 14 days |
| savoy cabbage | up to | 60 days |
| spinach | up to | 7 days |

Fruit

| | | |
|------------------------|-------|----------|
| apples | up to | 180 days |
| apricots | up to | 14 days |
| bilberries | up to | 14 days |
| blackberries | up to | 8 days |
| cherries | up to | 14 days |
| black and red currants | up to | 21 days |
| dates (fresh) | up to | 60 days |
| figs (fresh) | up to | 7 days |
| gooseberries | up to | 21 days |
| grapes | up to | 90 days |
| kiwi fruits | up to | 120 days |
| peaches | up to | 30 days |
| pears | up to | 120 days |
| plums | up to | 21 days |
| quinces | up to | 90 days |
| raspberries | up to | 5 days |
| rhubarb | up to | 21 days |
| strawberries | up to | 5 days |

GB

* Depending on model and options

Download from www.Somanuals.com. All Manuals Search And Download.

Defrosting, cleaning

Defrosting

The refrigerator compartment

defrosts **automatically**. The defrost water is evaporated by the heat from the compressor; drops of water on the rear wall are perfectly normal.

- Ensure that the defrost water can flow freely through the drain hole in the rear wall (arrow in fig. A).

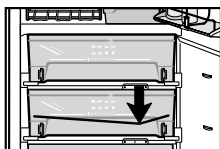
Cleaning

- **Before cleaning, always switch off the appliance. Disconnect from the mains or unscrew or switch off the fuse.**



- Clean the outer walls, inside and equipment by hand with lukewarm water and a little detergent. Because of the risk of injury and damage to the appliance, steam cleaning equipment should not be used.
- We recommend using a soft cloth and an all-purpose cleaner with a neutral pH value. Only use food compatible cleaning and care agents on the inside of the appliance.
- Use a commercially available stainless-steel cleaning agent for **stainless-steel appliances***.
 - In order to achieve best possible protection, apply a stainless-steel care agent uniformly in grinding direction after cleaning. Points which are darker at the start and a more intensive coloration of the stainless-steel surface are normal.
- Do not use abrasive sponges or scourers, do not use concentrated cleaning agents and never use cleaning agents containing sand, chloride or acid or chemical solvents, as these would damage the surfaces and could cause corrosion.
- Ensure that no cleaning water penetrates into the ventilation grilles or any electrical components, and keep it out of the defrost drain as far as possible. Wipe the appliance dry.
- Do not damage or remove the type plate on the inside of the appliance. It is very important for servicing purposes.
- The butter dish* can be washed in a dishwasher. The racks, shelves and other components should be cleaned by hand as they are not dishwasher-safe.
- Always remove the **top** door rack (butter and cheese compartment) together with the flap*. Then press one of the side walls carefully to the outside to release the flap pin. The flap can then be lifted out. Make sure not to damage any bushings*.
- The shelves and door racks can be dismantled for cleaning. Remove the trims and sides* from the glass shelves.
- Remove the protective film* from the decorative trims.

- Clean the **drain hole** on the rear wall frequently, fig., arrow. **If necessary, clean with a thin object, e.g. a cotton swab or similar.**



- To clean the **BioFresh drawers**, pull the drawers right out, grip at back and lift out (fig. L).
- To re-insert: place the drawers on the extended rails - the rails must align with the front of the drawer - and slide in (fig. M).

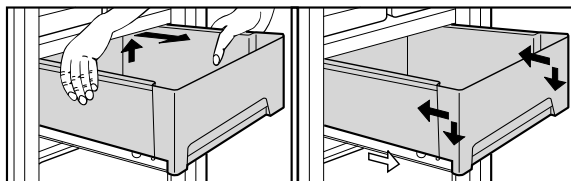
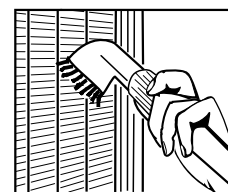


fig. L

fig. M

- Simply pull the **drawer cover** out towards you. When re-inserting, make sure the bearing pins snap into place in the grooves. The drawer and the cover must be flush with one another vertically.

- The dust should be removed from the **refrigeration unit** and heat exchanger - metal grid at the back of the appliance - once a year. Dust deposits increase energy consumption.



- Ensure that none of the wires or other components are dislodged, bent or damaged.

- Then connect/switch on the appliance.

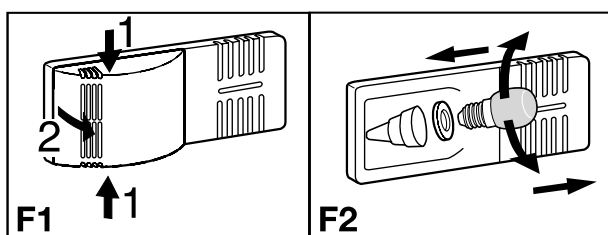
If the appliance is to be **left switched off for any length of time**, empty the appliance, disconnect from the mains, clean as described above and leave the door open so as to avoid odours.

Interior light*

This switches off automatically after the door has been opened for approx. 15 minutes. If it does not switch on when the door is opened briefly, but the temperature setting display is working, the interior light may be defective.

Replacing the bulb*:

- **Bulb data:** max. 25 W; current and voltage must agree with the details on the type plate. Only use bulbs of the same size. Bulb fitting: E 14.
- Switch off the appliance. **Disconnect from the mains or remove or unscrew the fuse.**
- Press the light cover together at the sides as in fig. F1 (1). Lift it out and unclip at back (2).
- Replace the bulb as in fig. F2. To counteract the friction seal, turn with slightly more pressure. When inserting, ensure that the seal is properly in place in the lamp socket.
- Clip the back end of the cover in and clip the sides into place.



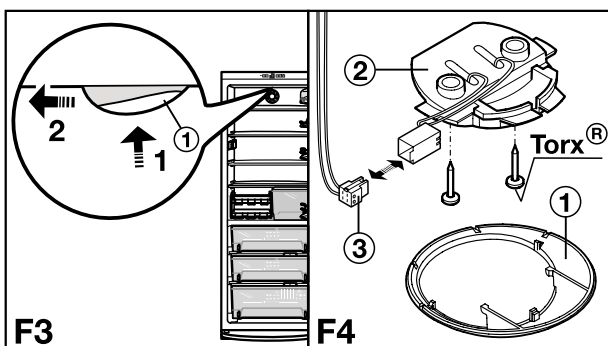
Changing the lighting unit*:



Caution - class 1M laser radiation. When cover is removed, do not look directly at light through optical instruments.

The lighting unit ②, dissipator with light emitting diode (LED), is available from your dealer.

- Switch off the appliance. **Disconnect from the mains or remove or unscrew the fuse.**
- Fig. F3: Press the bulb cover ① against the compartment roof 1 and release by pulling forwards 2.
- Fig. F4: Unscrew the lighting unit ② and loosen the cable connector ③.
- Re-assemble with new lighting unit ②, working in reverse order.



Troubleshooting

Your appliance is designed and manufactured for a long life span and reliable operation.

If a malfunction nonetheless occurs during operation, check whether it is due to an operating error. Please note that even during the warranty period the resultant servicing costs in this case will have to be borne by the owner.

You may be able to rectify the following faults by checking the possible causes yourself:

| Malfunction | Possible cause and remedy |
|-------------|---------------------------|
|-------------|---------------------------|

Appliance does not work, display is off

- Is the appliance switched on properly?
- Is the mains plug properly inserted in the socket?
- Is the socket fuse intact?

The interior light does not come on

- Is the appliance switched on?
- Has the door been open for more than 15 minutes?
- The bulb/lighting unit* is defective. Change the bulb/lighting unit* as described in "Interior light".

Loud running noise

- Is the appliance standing firmly on the floor, or does the compressor cause nearby items of furniture or objects to vibrate? If necessary, move the appliance slightly, align by adjusting the adjustable feet, or move bottles and containers apart.

- **Burbling noises** are normal. These are caused by the refrigerant flowing round the refrigerant circuit.

A short **clicking sound**: This will be heard whenever the refrigeration unit (the motor) switches on or off automatically.

Motor noise: This will be slightly louder for a brief period when the refrigeration unit switches on.

The audible warning signal sounds

- Is the appliance closed properly? Check the appliance as described in "Audible warning signal".

The temperature is not cold enough

- Is the temperature setting correct? If necessary, set a lower temperature and check the display after 24 hours.
- Does the door close properly?
- Is the appliance sufficiently well ventilated? Clear ventilation grilles if necessary.
- Is the ambient temperature too hot? (See "Safety regulations")
- Has the appliance been opened too often or left open too long?
- If applicable, wait until the appliance reaches the required temperature itself.

Customer service and type plate

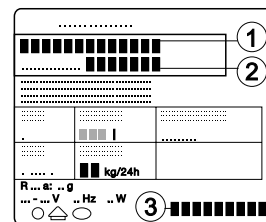
If none of the above causes apply and you cannot rectify the fault yourself, or if the temperature display reads "FD" to "F5", this means that there is a fault. Please contact your nearest customer service department (see enclosed list for addresses), indicating the **fault number** and the



type designation ①, **service number** ② and **appliance number** ③

on the type plate. This will help us to provide you with a faster and more accurate service. The type plate is located on the inside left of the appliance next to the bottom BioFresh drawer.

Leave the appliance shut until the customer service engineer arrives so as to prevent any further cold loss.



* Depending on model and options

Instructions for installation and modification

Dimensions

The external dimensions of the appliance can be seen on the illustration on the opposite page (fig. S) and in the table below.

| Gross capacity of appliance [l] (see type plate) | External dimensions [mm] | |
|--|--------------------------|------|
| | | H |
| 346 (36..) | | 1644 |
| 385 (42..) | | 1841 |

Installation instructions

- Do not install the appliance directly next to another refrigerator or freezer. This is important to prevent condensation and consequential damage resulting from it.
- This does not apply to Side-by-Side models (SBS). They are designed for Side-by-Side installation with another refrigerator/freezer.
The "Installation instructions for Side-by-Side combinations" are supplied in the accessories bag for the SBS freezer or the appliance with a freezer compartment.

Changing the door mounting

On appliances which are intended for individual installation the door hinges can be changed from one side to the other. On SBS appliances in stainless steel finish, which are designed for Side-by-Side installation, the door hinges **must not** be transferred to the other side!

- Only change over door hinges when mains plug is disconnected!
- Fig. T. With the door open, lever out plinth panel ① on the hinge side with a screwdriver and remove from front.
- Lever out cover ② with a screwdriver.
Close door.
- Unscrew screw M5 ③.
- Pull hinge component ④ with hinge pin ⑤ out from underneath and remove.
- Open door, lift out at bottom and remove; do not lose the spacer ⑩.
- Transfer all hinge components onto the other side:
- Top: depending on version, proceed as follows:

Version I (visible operating panel): Lever out covers ⑧ with a screwdriver at the front and remove at an angle from below. Remove hinge pin ⑦ and insert on the opposite side. Use the hexagon socket on the open-ended spanner provided (spanner width 5). Fit covers ⑧ again: insert at rear and click into place at front.

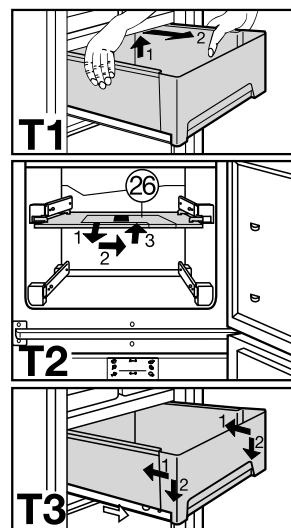
Version II (concealed operating panel): Lift up cover ⑧ on handle side, push outwards; lift up cover on hinge side and pull off.

- Unscrew earthing plate ②①: first earthing screw ②②, then inner retaining screw ②③.
- Unscrew hinge ⑨: first undo earthing screw ②②, then retaining screws ②③. Fit hinge ⑨ to opposite side: for easy assembly, fit hinge from above and first tighten with the upper retaining screw ②③ M5, then screw ②③ and finally earthing screw ②② M4.
- Turn earthing plate ②① through 180° and screw tight again on the new handle side: first retaining screw ②③, then earthing screw ②②.
- Insert hinge pin ⑦ in the other retaining hole. Use the hexagon socket on the open-ended spanner provided (spanner width 5).

- Fit covers ⑧ again: insert hinge-side cover by sliding outwards and click into position; insert handle-side cover by sliding inwards and click into position.
- Bottom: Using a screwdriver, remove the spacer ⑩ and replace on the other side, fig. Ta.

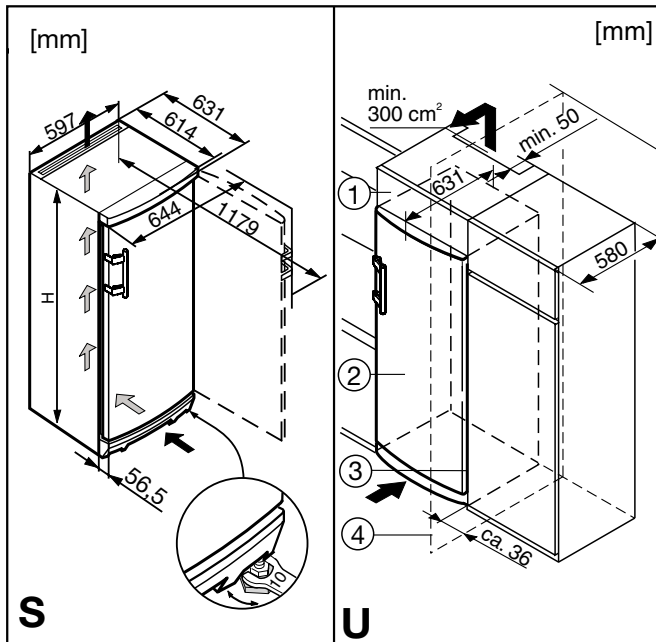
● Moving the BioFresh drawers, figs. T1, 2, 3:

- Fig. T1: Pull each drawer right out, grip at back and lift out.
- Fig. T2: Pull the drawer cover ②① out towards you and replace in the grooves so that it is offset towards the new handle side. Slide in until the support pins snap into place.
- Fig. T3: Replace the drawers by placing on the fully extended guide rails - the rails must align with the front of the drawer - and slide in. The drawer and the cover must be flush with one another vertically.



● Re-attach the door:

- Remove plugs ⑩④ from the door mounting points and replace on the other side.
- Only stainless-steel appliances: Unscrew the closure ⑩③ underneath the door on the hinge side. Fit the closure **provided separately** ⑩④ on the new hinge side and screw into place with the same screw ⑩②. Discard the old closure ⑩③ (or keep it for later use).
- Suspend door with spacer in hinge pin ⑦, close door.
- Rotate hinge component ④ by 180°, remove hinge pin ⑤, turn by 180° and replace. Mount both parts in the hinge ⑩③: slide the pin into the door mounting through the hinge, tilt in the hinge component, slide up and attach with screw ⑩③.
- Align the door **flush** with the body of the appliance using the slot on the hinge ⑩③, then tighten screw ⑩③.
- Attach the plinth panel ① and click into place by pressing.
- With the door open, insert the cover ② in the plinth panel at the front and click into place at the back.
- Transfer* **door handle** ⑩⑥ and plugs ⑩⑧. With the door open, carefully lift out the pressure plates* ⑩⑦ at the front and slide away; unscrew handle. Reassemble in reverse order: replace the pressure plates and click into position.
- If your refrigerator has a **bottle rack***, fig. T, put the vegetable bins on the other side (the bottle rack should always be on the **same side as the door handle**) to facilitate removal of the bottles.



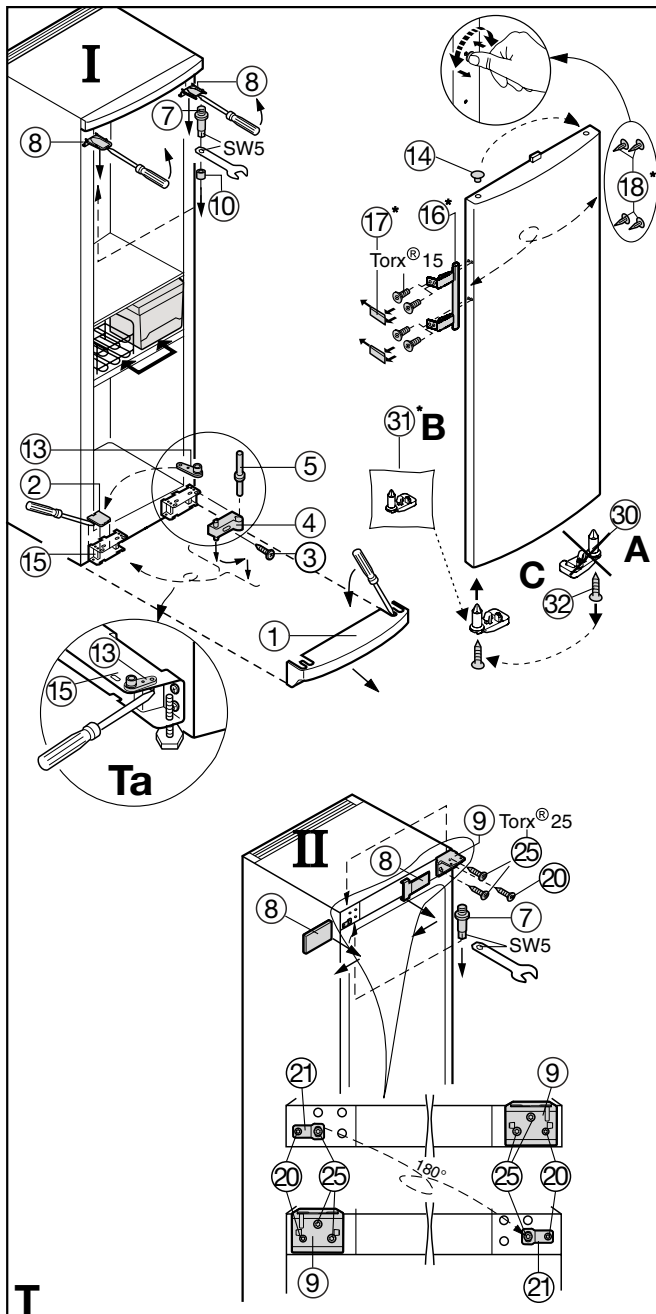
Insertion into row of kitchen units

Fig. U: The appliances can be installed in a row of kitchen units. To adapt the height of the appliance to the surrounding furniture a top unit ① can be added.

A gap of at least 50 mm depth must be provided behind and along the entire width of this unit so as to ensure sufficient ventilation. The area of ventilation underneath the ceiling should be at least 300 cm². The greater the area the more economically the appliance will run.

- When installing with standard kitchen units (max. depth 580 mm) and decor panels of max. 2 mm thickness, the appliance can be set up right next to the kitchen unit. The door protrudes 34 mm from the side of the kitchen unit and 51 mm at the front. This enables it to be opened and closed without difficulty.
- When setting up the appliance next to a wall ④, a minimum distance of 36 mm must be provided on the hinge side between the appliance and the wall (for the handle when the door is open).

- | | |
|------------------------|---------------------------|
| ① top unit | ③ kitchen unit side panel |
| ② refrigerator/freezer | ④ wall |



Notes on assembling decor panels*

(with white appliances of height H = 1841 mm)

Decor panel and frames can be attached to the door of your appliance to match or contrast it to the existing kitchen colour scheme.

The panels are available from your kitchen furniture supplier. The frames can be fitted later and are available from your dealer.

If you wish to fit the decor panels yourself, you will need a drill or a rechargeable screwdriver to pre-drill the retaining holes. The door handles are to be replaced by the rigid handles included in the decor frame retrofit kit.

For further instructions and dimensions see the installation instructions included in the retrofit kit.

All types and models are subject to continuous improvement and the manufacturer therefore reserves the right to make modifications in the shape, equipment and technology.

* Depending on model and options

Free Manuals Download Website

<http://myh66.com>

<http://usermanuals.us>

<http://www.somanuals.com>

<http://www.4manuals.cc>

<http://www.manual-lib.com>

<http://www.404manual.com>

<http://www.luxmanual.com>

<http://aubethermostatmanual.com>

Golf course search by state

<http://golfingnear.com>

Email search by domain

<http://emailbydomain.com>

Auto manuals search

<http://auto.somanuals.com>

TV manuals search

<http://tv.somanuals.com>