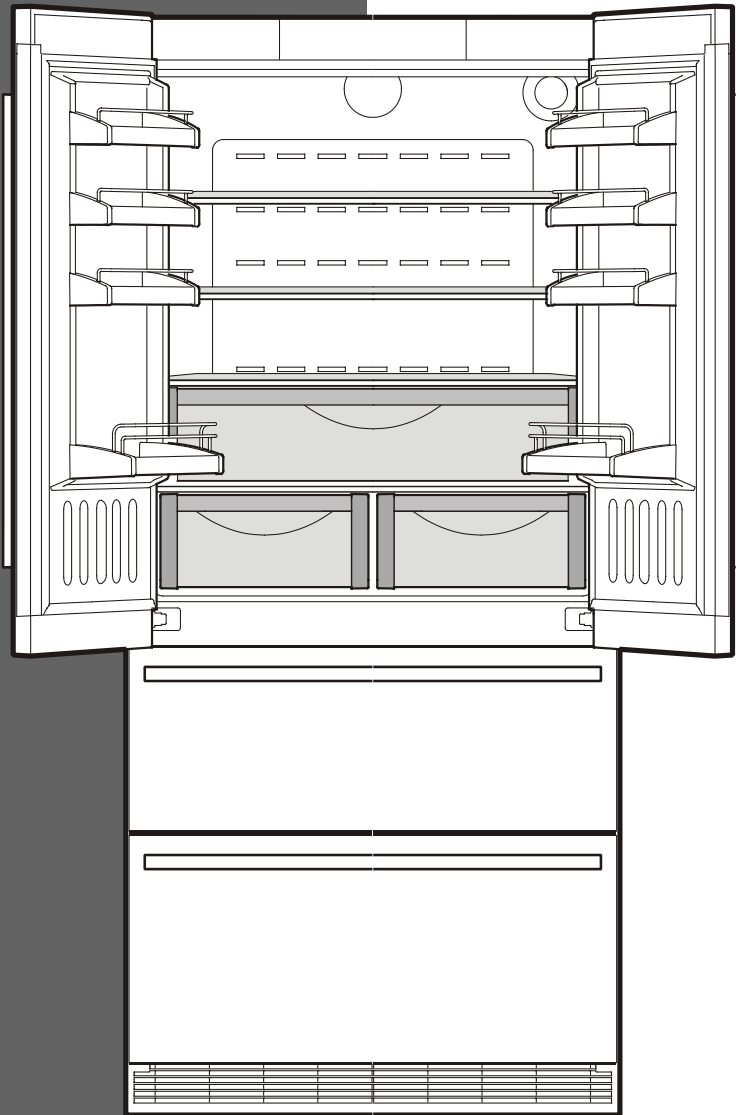


LIEBHERR

Use and Care Manual

For “NoFrost” combined
refrigerator-freezers with IceMaker



CS, HC, HCS
7081 411-00

Congratulations on your purchase. Choosing this appliance means you want all the benefits of state-of-the-art refrigeration technology, guaranteeing you top quality, a long appliance life span and excellent reliability.

The features on your appliance have been designed to ensure maximum convenience - day in, day out.

This appliance has been manufactured with recyclable materials using an environmentally friendly process, so together we're making an active contribution to the preservation of our environment.

To get to know all the benefits of your new appliance, please read the information contained in these operating instructions carefully.

We know you will be pleased with your new appliance.

Additional benefits

- CFC-free
- Energy-optimized refrigerant circuit
- Energy-efficient insulation
- Low energy consumption

- User-friendly electronic controls
- Display of functions switched on
- Temperature can be controlled within climate rating range, regardless of room temperature
- Refrigerator and freezer compartments defrost automatically - no need to spend time defrosting

- Big net refrigerator capacity
- Variable and practical features
- Safety-glass storage shelves
- Big net freezer capacity

- Freezer temperature increase alarm
- Audible door open alarm
- Power failure/"frost-control" display
- Fresh food can be fast-frozen as required
- All drawers suitable for fast freezing

- Integrated transport grips on appliance housing
- Transport castors

- Easy to clean

TABLE OF CONTENTS

Contents	Page
Safety	4
Disposal of old appliance.....	4
Electrical safety	4
Important safety information	5
Safety regulations	6
Disposal of carton.....	6
Water filter	7
Water filter	7
Installing the Water filter	7
Removing the Water filter	7
Features	8
Description of appliance and equipment	8
Operating and control elements	9
Operation	10
Turning the appliance ON and OFF	10
Setting the temperature	10
Temperature display.....	11
Audible alarm signal	11
Power failure/Frost-control display.....	11
Supercooling	12
Setup mode.....	13 - 15
Refrigerator compartment.....	16
Arranging food	16
Shelf arrangement	16
Interior light	17
Freezer Compartment.....	18
Freezer compartment description.....	18
Freezing capacity.....	18
Freezing with Superfrost.....	19
Freezing and Storage	19
IceMaker.....	20
Safety instructions and warnings.....	20
To Start the IceMaker	20
IceMaker at vacations.....	21
Cleaning	22
Defrosting/Vacation	23
Defrosting.....	23
Vacation Tips.....	23
Troubleshooting	24
IceMaker Troubleshooting.....	25
Customer Service	25
Appliance Information	25
Liebherr Warranty Plan	26

IMPORTANT

All types and models are subject to continuous improvement. The manufacturer reserves the right to make modifications in the shape, equipment and technology.

SAFETY

Please read and follow these instructions

These instructions contain Warning and Caution statements. This information is important for safe and efficient installation and operation.

Always read and follow all Warning and Caution statements!

DANGER

Danger indicates a hazard which will cause serious injury or death if precautions are not followed.

WARNING

Warning indicates a potentially hazardous situation which, if not avoided, could result in death or serious injury.

CAUTION

Caution indicates a potentially hazardous situation which, if not avoided, may result in minor or moderate injury.

IMPORTANT

This highlights information that is especially relevant to a problem-free installation and operation.

Make sure incoming voltage is the same as the appliance rating.

To reduce the risk of fire, electric shock, or personal injury, installation work and electrical wiring must be done by a qualified electrician in accordance with all applicable codes and standards, including fire-rated construction.

Disposal of Old Appliance

DANGER

Risk of child entrapment. Before you discard your old refrigerator or freezer:

- Be sure to follow your local requirements for disposal of appliances. Discarded appliances can be dangerous.
- Remove the doors.
- Leave the shelves in place so that children may not easily climb inside.
- Cut off the power cable from the discarded refrigerator. Discard separately from the refrigerator.

Following these instructions reduces the possibility of causing personal injury, especially to children playing.

Contact the trash collection agency in your area for additional information.

Electrical Safety

Connect this appliance to a 110-120 VAC, 15 amp circuit that is controlled by a circuit breaker or fuse. This appliance should have its own separate grounded circuit. Do not use an extension cord.

The power cord is equipped with a three-prong (grounding) plug for your protection against possible shock hazards. To maintain this protection:

- Do not modify the plug by removing the round grounding prong.
- Do not use a two-prong adapter. Where a two-prong wall receptacle is encountered, contact a qualified electrician and have it replaced with a three-prong receptacle in accordance with all local codes and ordinances.
- Do not use a power cord that is frayed or damaged.

Important Safety Information

This appliance is intended for domestic use only. Use the appliance only for its intended purpose, the storage of food products. Follow the cautions and safety warnings throughout this instruction manual including the following:

- To prevent injury to you or damage to the unit, the appliance should be unpacked and set up by two people.
- If the appliance is damaged on delivery, contact the supplier immediately before connecting to the power source.
- To guarantee safe operation, ensure that the appliance is set up and connected as described in these operating instructions.
- Disconnect the appliance from the power source if a fault occurs. Pull out the plug, turn off or remove the fuse.
- When disconnecting the appliance, use the plug. Do not pull on the cable.
- Any repairs and work on the appliance should only be carried out by the customer service department. Unauthorized work may be dangerous to the user. Changing the power source cable should only be done by the customer service department.
- Do not eat ice cream, particularly ice cream treats, or ice cubes, immediately from the freezer compartment. There is a risk of “burning” because of the very cold temperatures.
- Do not consume food which has been stored for too long; it could cause food poisoning.
- The appliance is designed for cooling, freezing and storage of food, and for making ice. It is intended for domestic use.
- Do not store explosives or sprays using combustible propellants such as butane, propane, pentane, etc. in the appliance. Electrical components might cause leaking gas to ignite. You may identify such sprays by the printed contents or a flame symbol.
- Do not use electrical appliances inside the appliance.
- Do not allow children to play with the appliance. Children must not climb, sit or stand on the shelves, drawers or door.
- To prevent possible injury due to an electrical shock, be sure to disconnect the power cord or turn off the circuit breaker before cleaning the appliance.
- To avoid injury or damage to the appliance, do not use steam cleaning equipment to clean the appliance.
- Do not operate the refrigerator in the presence of explosive fumes.
- In the event of a power outage, minimize opening the refrigerator door(s). Protect the food either by placing dry ice on top of the packages or using a local frozen food locker if the power failure is of a long duration. Do not attempt to re-freeze any previously frozen food that has thawed.
- To avoid possible injury, only adjust an empty shelf. Do not attempt to adjust a shelf with food on it.
- To protect the refrigerator from possible damage, allow the appliance to stand 1/2 to 1 hour in place before turning the electricity on. This allows the refrigerant and system lubrication to reach equilibrium.

SAFETY

Safety Regulations

The appliance complies with UL 250 / CSA C22.2 #63 and is designed to cool, freeze and store food and to make ice (if equipped). It is designed as a household appliance.

The appliance is set to operate within specific ambient temperature limits according to its climate rating. These temperature limits should not be exceeded. The correct climate rating for your appliance is indicated on the model plate.

This is explained as follows:

Climate Rating	Set for Ambient Temperatures of
SN	50°F to 90°F (10°C to 32°C)
N	61°F to 90°F (16°C to 32°C)
ST	61°F to 100°F (16°C to 38°C)
SN-ST	50°F to 100°F (10°C to 38°C)
SN-T	50°F to 109°F (10°C to 43°C)
T	61°F to 109°F (16°C to 43°C)

We recommend cleaning the appliance before turning it ON for the first time. See **Cleaning**. Turn ON the appliance several hours before loading it with frozen food for the first time. Do not load with frozen food until the temperature shows approximately 0°F (-18°C).

WARNING

Do not allow children to play with the appliance. Children must not climb, sit or stand on the freezer drawers. Failure to follow these instructions may result in death or serious injury.

CAUTION

To avoid risk of personal injury or property damage, have two people unpack and move this appliance into place.

CAUTION

Protect the finished floor surface before you uncrate the unit.

Avoid placing the appliance in direct sunlight or near the stove, range top, radiators and similar heat sources. Do not place microwave ovens, toaster ovens or other heat-emitting appliances on top of this unit.

The floor under the appliance should be flat and level.

Keep the appliance out of the weather. The ventilation grilles should not be obstructed. Always ensure there is good ventilation all around the appliance.

As soon as you uncrate the unit:

- Examine the unit and packaging for shipping damage. Contact the carrier immediately if you suspect there is any damage.
- Note the type (model number), index, serial number, date of purchase and where purchased on the spaces provided in the back of this manual.

Disposal of Carton

The packaging is designed to protect the appliance and individual components during moving and is made of recyclable materials.

- Corrugated board/board
- Molded polystyrene (foamed, CFC-free polystyrene)
- Polythene bags and sheets
- Polypropylene straps

WARNING

Keep packaging materials away from children. Polythene sheets and bags can cause suffocation!

- Please take the packaging material to your local recycling facility.

WATER FILTER

Water Filter - Figure 1

Before turning on the appliance install the water filter provided in the interior rear wall of the refrigerator compartment. This ensures good ice cube quality and keeps the water circuit free of solids such as sand.

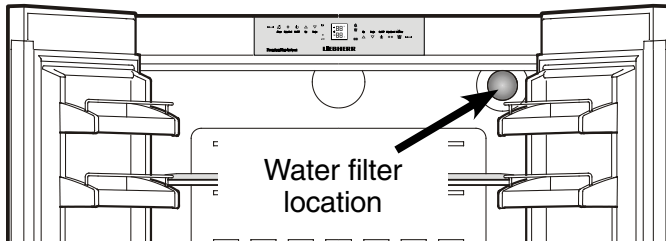
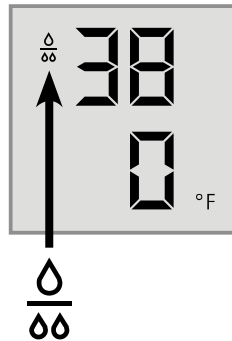


Figure 1

Replace the filter when the drop symbol appears on the temperature display.

Filters can be obtained from your Liebherr Dealer or Distributor.



Installing the Water Filter - Figure 2 and Figure 3

1. Remove cover of the filter socket.

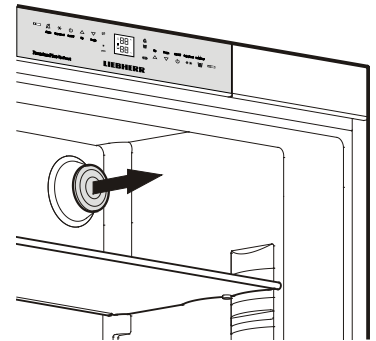


Figure 2

2. Insert the filter and turn it 90° clockwise.

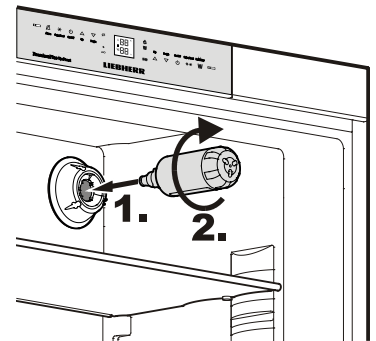


Figure 3

WARNING

To avoid the risk of bacteria growth, the water filter must be changed when the waterdrop symbol appears on the display!

IMPORTANT NOTE

It is not necessary to turn off the water supply when removing or installing the water filter.

Removing the Water Filter - Figure 4

3. Turn the filter 90° counterclockwise and remove.

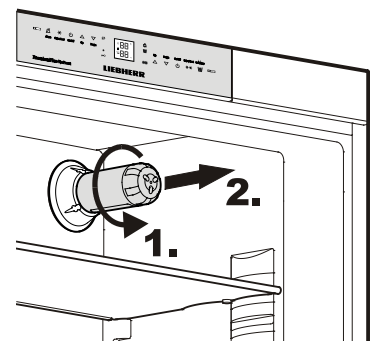
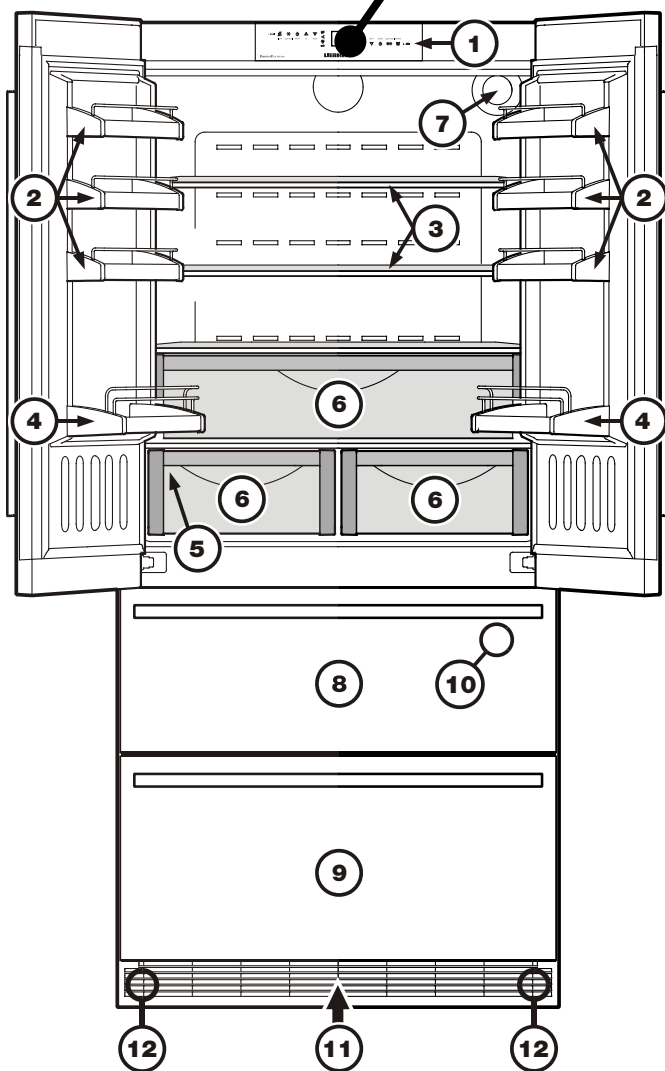
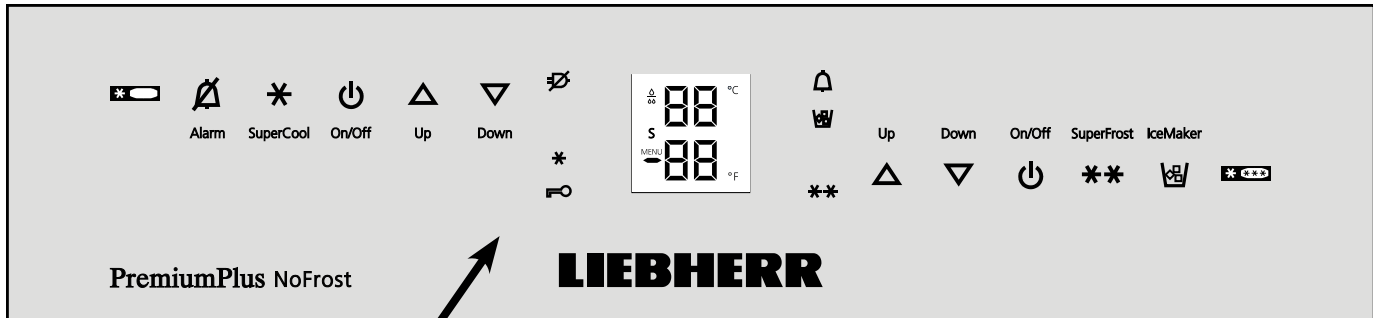


Figure 4

FEATURES

Description of appliance and equipment - Figure 5



Description of Refrigerator

- (1) Operating and Control Elements
- (2) Adjustable Door Racks
- (3) Adjustable Shelves
- (4) Gallon Shelf
- (5) Model Plate (behind the Vegetable Bin on the left hand side)
- (6) Vegetable Drawers
- (7) Water Filter

Description of Freezer

- (8) Upper Freezer Drawer
- (9) Lower Freezer Drawer
- (10) Ice Maker (in the interior of the Upper Freezer Drawer)
- (11) Ventilation Grille
- (12) Adjustable-Height Unit (behind the Ventilation Grille)

Figure 5

Operating and Control Elements - Figure 6, Figure 7

The electronic control panel has the new “**Touch capacitance technology**”. Any function can be activated by a fingertip on the symbol of the operating icons.

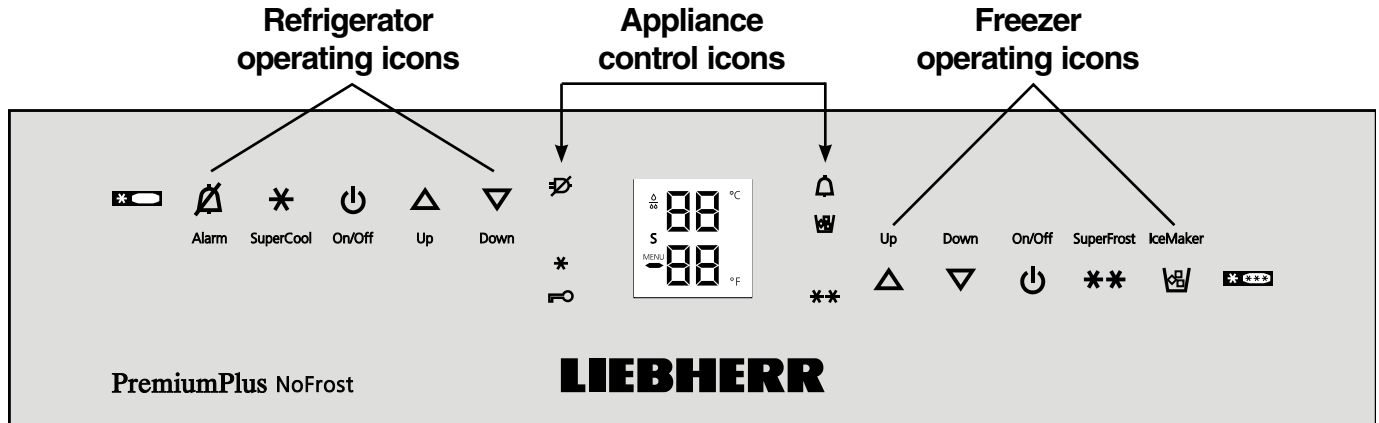


Figure 6

Refrigerator operating icons

- Alarm mute (refrigerator and freezer)
- Supercool
- Refrigerator ON/OFF
- Temperature Up control (to increase the refrigerator temperature)
- Temperature Down control (to reduce the refrigerator temperature)

Appliance control icons

- Power Failure LED
- Supercooling LED
- Childproof Lock LED
- Alarm LED
- IceMaker ON LED
- Superfrost LED

Freezer operating icons

- Temperature Up control (to increase the freezer temperature)
- Temperature Down control (to reduce the freezer temperature)
- Freezer ON/OFF
- Superfrost
- IceMaker ON/OFF

Temperature and control display

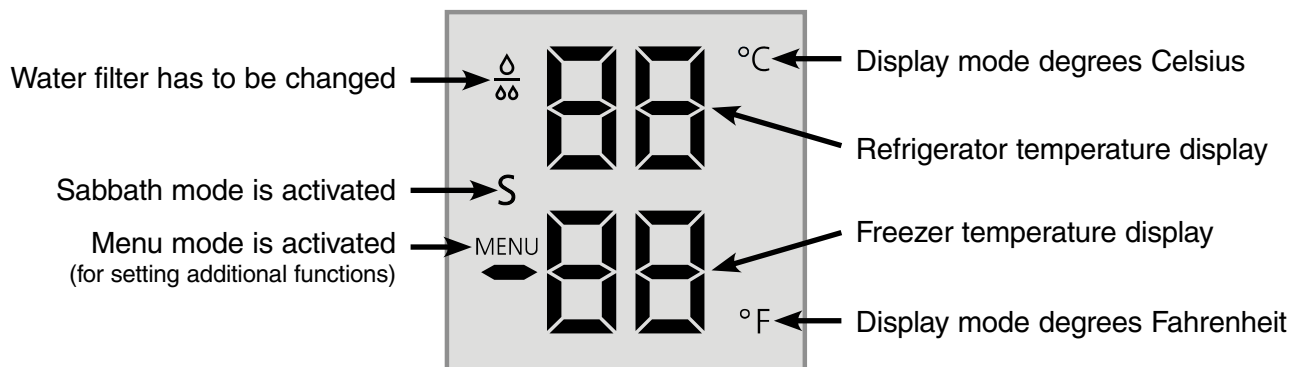


Figure 7



OPERATION

Turning the Appliance ON and OFF - Figure 8

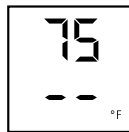
Clean the appliance before turning it on for the first time. See **Cleaning**.

Do not place frozen food in the freezer until the temperature shows at least 0°F / -18°C. The refrigerator and freezer compartments can be operated separately.

1. Turning ON:

Touch the Refrigerator ON/OFF icon  and the Freezer ON/OFF icon 

so the Temperature Displays light up.





The interior light will turn ON if one of the refrigerator doors or freezer drawers are open.

2. **Turning OFF:** To turn off the refrigerator or freezer, touch the corresponding ON/OFF icon for approximately 3 seconds so the temperature display and interior lights go out.



Setting the Temperature - Figure 8

The appliance is pre-set for normal operation. We recommend temperatures of 38°F (3°C) in the refrigerator and 0°F (-18°C) in the freezer.

To reduce the temperature:

Touch the DOWN icon on the left to  reduce the refrigerator temperature and the DOWN icon on the right to  reduce the freezer temperature.

To increase the temperature:

Touch the UP icon on the left to increase  the refrigerator temperature and on the right to increase the freezer  temperature.

1. While you are entering the temperature, **the set temperature will flash** on the display.
2. When you touch the temperature setting icons for the first time, the most recent setting is displayed.
3. You can change the settings in increments of 1°F (1°C) by briefly touching the icons again. If the icons are held the temperature setting will change faster.
4. Approximately five seconds after the icon has been released, the display will automatically show the actual freezing or cooling temperature.
5. You can change the temperatures:
 - **In the refrigerator** – between 36°F and 44°F (2°C and 7°C) and
 - **In the freezer** – between -15°F and 6°F (-26°C and -14°C).

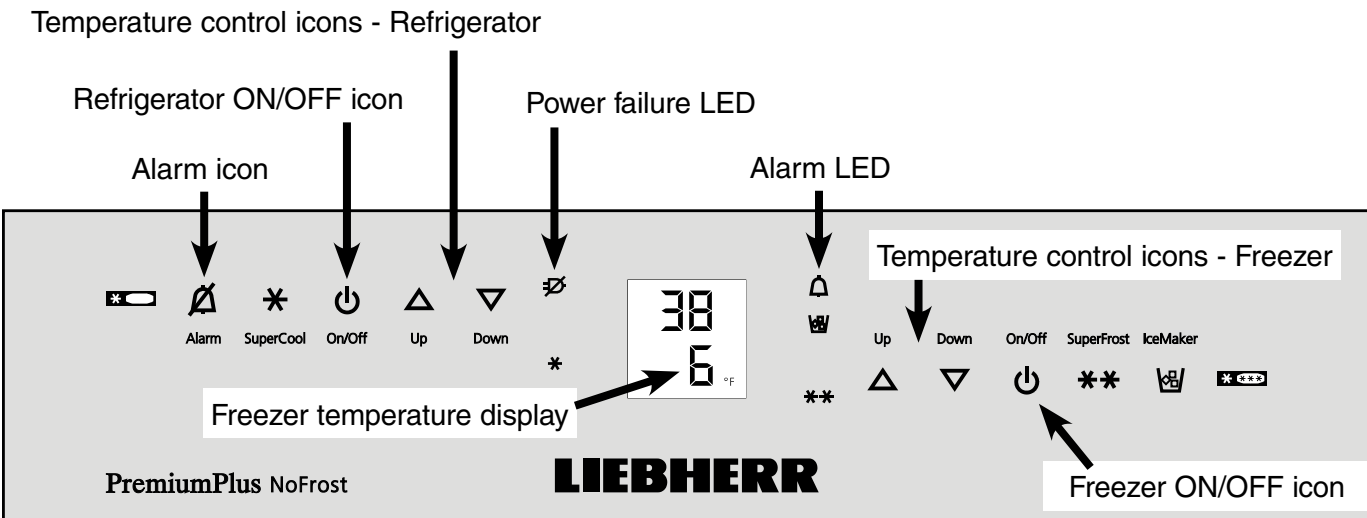


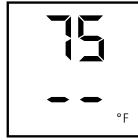
Figure 8

Temperature Display - Figure 8

In normal operation, the following settings will be displayed:

- the average refrigerator temperature
- the warmest frozen food temperature.

When starting up for the first time or when the appliance is warm, dashes will appear in the freezer temperature display, until the temperature in the freezer compartment is 32°F (0°C).



It will take between three and eight hours for the required temperature, 0°F or 38°F (-18°C or 3°C) to be reached and displayed permanently in the display, depending on the ambient conditions and the temperature setting.

The display will flash:

- if you change the temperature or
- if the temperature rises by several degrees, indicating cold loss, e.g. if you place fresh, "warm" food in the freezer or if you remove or repack frozen food, the temperature may rise for a short time due to warm air flowing into the freezer.
- If "F1" to "F5" appears in the display, the appliance has a fault. Have the fault number available when you contact the customer service department.

Audible alarm signal - Figure 8

The audible alarm signal helps to protect frozen food and to save energy.

The audible alarm signal is switched off by touching the alarm icon.




Alarm

Audible door alarm

This sounds when the door has been left open for longer than about 180 seconds. The sound switch-off function is active as long as the door is left open. The alarm automatically switches back to standby when the door is shut.

Audible/visual temperature alarm


It always sounds if the freezer temperature is not low enough. The *temperature display and the alarm LED*  *flashes* at the same time.

This can be caused by:

- warm, fresh food being placed in the freezer;
- too much warm air from the outside entering when re-arranging or removing frozen food,
- a fault in the appliance.

The temperature display will continue to *flash* until the cause of the alarm has been rectified. It will then stop flashing and light up continually. The audible warning signal is now automatically *reset*.

Power Failure/Frost-Control Display - Figure 8

If the power failure LED  is lit, this means the freezer temperature has risen too **high** during the last few hours or days due to a power failure. The freezer temperature display flashes at the same time.

- If you touch the **Alarm** icon now, the highest temperature registered during the power failure will be displayed.
- Check the quality of the food in case it has become too warm or even defrosted.
- The highest temperature will appear for approximately one minute. After that, the actual temperature in the freezer will reappear.

The display can be turned OFF by touching the Alarm icon again.

OPERATION

Supercool - Figure 9

Touching the Supercool icon switches the refrigerator compartment to maximum cooling. It is recommended particularly if you wish to cool large quantities of food, drinks, freshly baked goods or meals rapidly.

- **Turning ON:** Touch the Supercool icon briefly so the LED ✱ turns on. The refrigerator temperature will drop to its lowest value.



IMPORTANT

The Supercool function uses slightly more energy. After approximately six hours, however, the refrigerator switches back automatically to normal energy-saving operation. If required, the Supercooling function can be turned OFF sooner.

- **Turning OFF:** Touch the Supercool icon again until the LED ✱ turns off.

Setup Mode - Figure 9

In the setup mode you can activate the following functions:

- ☰ = Sabbath mode
- H = Door gasket heating control
- h = Display brightness
- = Temperature display mode
- E = Water quantity for Ice cube tray
- I = Icemaker vacation state
- F = Drop symbol reset
- ☒ = Child proof lock

How to activate the setup mode:

- Touch the **Superfrost** icon for approximately five seconds
 - the **Superfrost LED ✱✱** turns on for 5 seconds
 - after 5 seconds ☒ will flash in the display.

The appliance is in the setup mode now.

You can select the setup mode functions by touching the freezer compartment **Up/Down** icons.

Note

In the setup mode the display will flash continuously.

Exit setup mode:

- Touch the freezer compartment **On/Off** icon. The appliance will change back to normal operation.

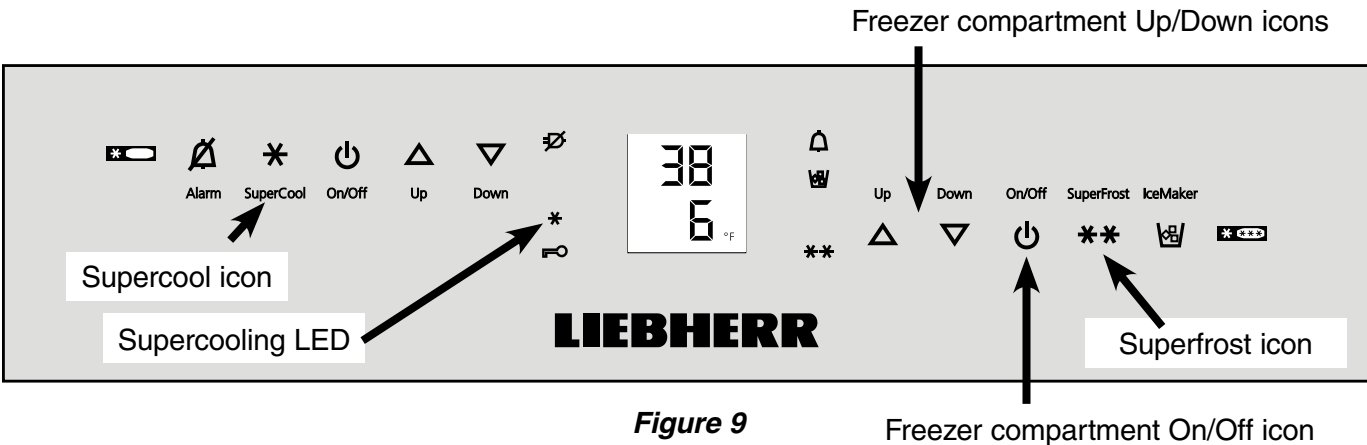


Figure 9

⌘ = Sabbath Mode

This feature considers the Religious requirements on Sabbath or Holidays. When the Sabbath Mode is active some functions of the electronic controls are switched off.

The door can be opened and closed at any time.

- The lighting remains off.
- The cooling fan remains in its actual state: If it is on it remains on, if it is off it remains off.
- There is no door alarm.
- There is no temperature alarm
- Defrost cycles are independent of the number of times and length of door openings.
- The unit will return into Sabbath Mode after a power failure.

How to activate the Sabbath Mode

- Activate the setup mode by touching the **Superfrost** icon for 5 seconds.

- the display shows ⌘

- Touch the **Superfrost** icon

- the display shows



- Touch the **Superfrost** icon again

- the display shows



- the Sabbath mode is activated.

- Exit setup mode by touching the freezer compartment **On/Off** icon.

How to deactivate the Sabbath Mode

- Activate the setup mode by touching the **Superfrost** icon for 5 seconds.

- the display shows ⌘

- Touch the **Superfrost** icon

- the display shows



- Touch the **Superfrost** icon again

- the **S** symbol in the Display disappears, the Sabbath mode is deactivated.



- Exit setup mode by touching the freezer compartment **On/Off** icon.

H = Door gasket heating control

Condensed water on the gasket of the refrigerator doors can be eliminated by activating the door gasket heating.

How to activate the door gasket heating

- Activate the setup mode by touching the **Superfrost** icon for 5 seconds
- Touch the **freezer compartment Down** icon until **H** appears in the freezer temperature display.

- Touch the **Superfrost** icon

- the display shows



- Touch **freezer compartment Up/Down** icons to select

H0 = at slight condensation of the gasket

H1 = at heavy condensation of the gasket

- Touch the **Superfrost** icon at the desired value.
- Exit setup mode by touching the freezer compartment **On/Off** icon.

h = Display brightness

How to adjust the display brightness

- Activate the setup mode by touching the **Superfrost** icon for 5 seconds.

- Touch the **freezer compartment Down** icon until **h** appears in the freezer temperature display.

- Touch the **Superfrost** icon

- the display shows



- Touch **freezer compartment Up/Down** icons to select

h0 = minimum to

h5 = maximum brightness

- Touch the **Superfrost** icon at the desired value.
- Exit setup mode by touching the freezer compartment **On/Off** icon.

OPERATION

Setup Mode - Figure 10


☐ = Temperature display mode

You can choose the **unit of temperature** for the display in degrees Fahrenheit or degrees Celsius.

Note

The factory setting is degrees Fahrenheit.

How to change the temperature display to degrees Celsius

- Activate the setup mode by touching the **Superfrost** icon for 5 seconds.
- Touch the **freezer compartment Down** icon until ☐ appears in the freezer temperature display.
- Touch the **Superfrost** icon
 - the display shows 
- Touch the **Superfrost** icon again
 - the temperature reading is now displayed in degree Celsius.
- Exit setup mode by touching the freezer compartment **On/Off** icon.


Note

To change the temperature display back to degrees Fahrenheit, follow the steps above.

⌘ = Water quantity for Ice cube tray

If the produced ice cubes of the ice maker are too small, the inflowing water quantity can be adjusted.

How to adjust the water quantity

- Activate the setup mode by touching the **Superfrost** icon for 5 seconds.
- Touch the **freezer compartment Down** icon until ⌘ appears in the freezer temperature display.
- Touch the **Superfrost** icon
 - the display shows 
- Touch **freezer compartment Up** icon once only so E^4 appears in the display.

⚠ CAUTION

Do not increase for more than one step. If the adjusted value is too high the ice cube tray of the ice maker could overflow.

- Touch the **Superfrost** icon again.
- Exit setup mode by touching the freezer compartment **On/Off** icon.

Check the ice cube size within the next days. If the ice cubes are still smaller as desired, follow the steps above again.

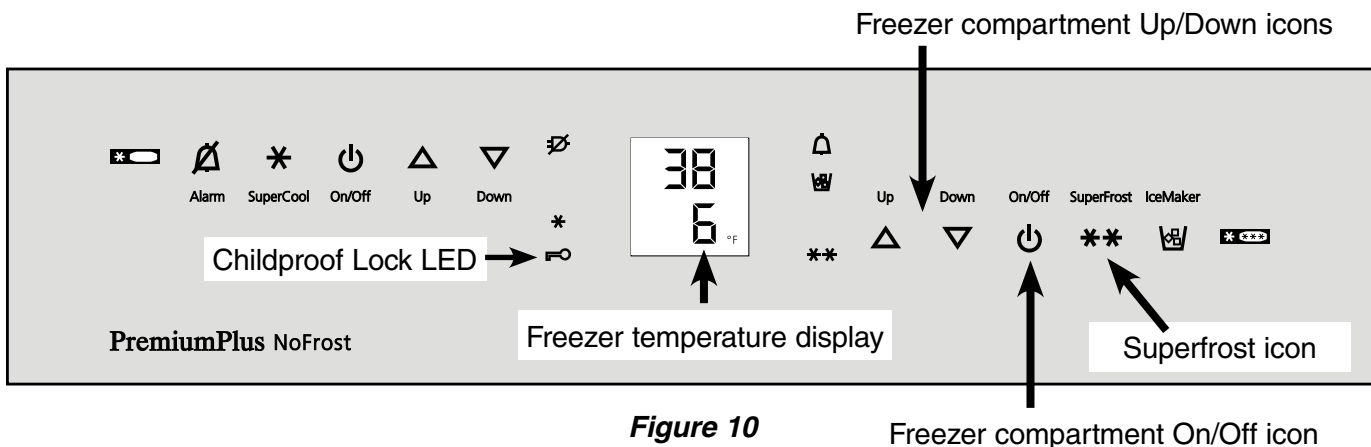


Figure 10

⏸ = Ice maker vacation state



Refer to chapter "Ice Maker" for explanation.

F = Drop symbol reset

After the Water filter has been changed the drop symbol on the display must be reset.





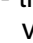
How to reset the drop symbol

- Activate the setup mode by touching the **Superfrost** icon for 5 seconds.
- Touch the **freezer compartment Down** icon until **F** appears in the freezer temperature display.
- Touch the **Superfrost** icon
- the display shows 
- Touch the **Superfrost** icon again
- the display shows 
- The drop symbol disappears.
- Exit setup mode by touching the freezer compartment **On/Off** icon.



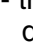
⏸ = Childproof Lock

The childproof lock is designed to protect the appliance from being turned OFF accidentally.

How to activate the childproof lock

- Activate the setup mode by touching the **Superfrost** icon for 5 seconds
- the display shows 
- Touch the **Superfrost** icon
- the display shows 
- Touch the **Superfrost** icon again
- the LED  is lit and the childproof lock is activated.
- Exit setup mode by touching the freezer compartment **On/Off** icon.

How to deactivate the childproof lock

- Activate the setup mode by touching the **Superfrost** icon for 5 seconds.
- the display shows 
- Touch the **Superfrost** icon
- the display shows 
- Touch the **Superfrost** icon again
- the LED  goes out. The childproof lock is deactivated.
- Exit setup mode by touching the freezer compartment **On/Off** icon.

REFRIGERATOR COMPARTMENT

Arranging Food - Figure 11

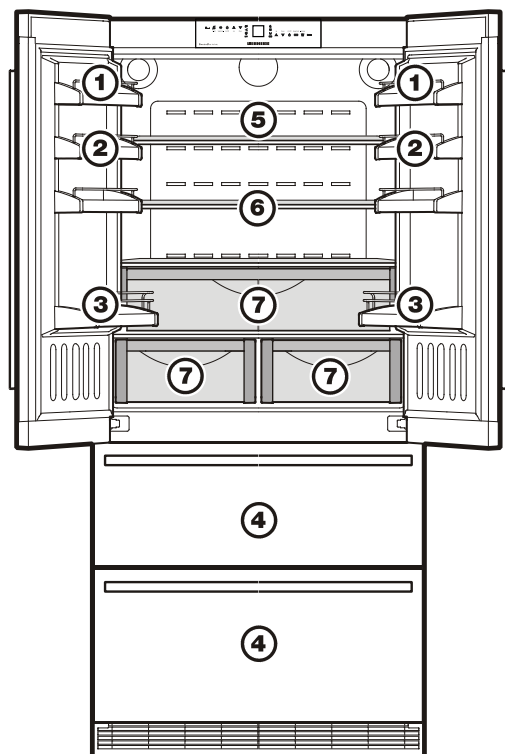


Figure 11

- (1) Butter, cheese
- (2) Eggs
- (3) Gallon containers, cans, drinks, bottles
- (4) Frozen food, ice cubes
- (5) Meat and sausage products, dairy products
- (6) Baked goods, pre-cooked meals
- (7) Fruit, vegetables, salad

IMPORTANT

- Liquids and food which give off or absorb odors and flavors should always be stored covered or in closed containers.
- High-percentage alcohols should be tightly sealed and stored upright.
- Fruit, vegetables and salad can be stored unpacked in the bins.

Shelf Arrangement



WARNING

To avoid possible injury, only adjust an empty shelf or door rack. Do not attempt to adjust a shelf or door rack with food on it.

You can rearrange the height of the shelves and door racks as required.

Repositioning the door racks - Figure 12

Slide the door rack up, pullout toward you and replace in reverse order.

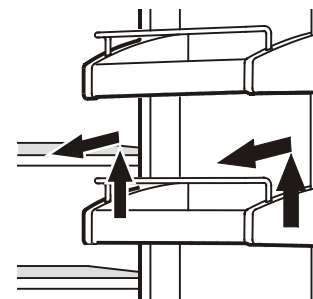


Figure 12

To remove the vegetable drawer

Pull the drawer straight out, grip at the back and lift out - Figure 13.

To install the vegetable drawer

Place the drawer on the rails. The rails must be fully extended and aligned with the front of the drawer. Slide the drawer in.

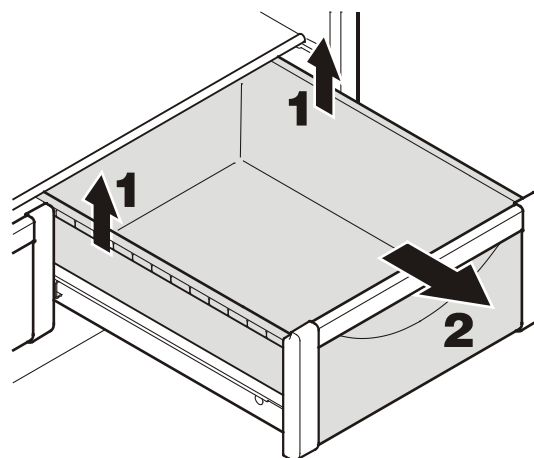


Figure 13

REFRIGERATOR COMPARTMENT

Repositioning the shelves - *Figure 14*

1. Hold the shelf underneath with your hand to avoid from tipping down backwards when removing.
2. Lift the shelf at the front.
3. Remove the shelf forward until the circular cutout of the shelf is in line with the interior light cover.
4. Lift the shelf up or down and replace in the desired position.

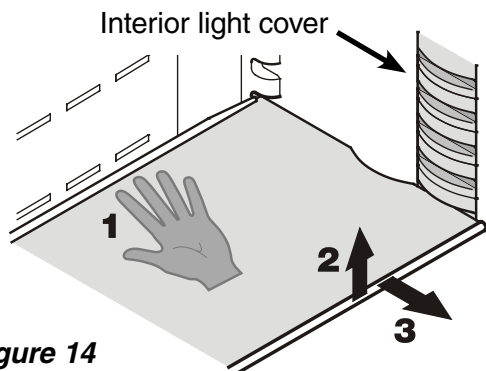


Figure 14

Removing the shelves - *Figure 15*

1. Follow the first three steps in the chapter above.
2. Lift the shelf down and stop just over the upper vegetable bin.
3. Move the front of the shelf upwards until the shelf is in a vertical position.
4. Turn the shelf counterclockwise and remove.

WARNING

To avoid from falling down, always hold the shelf with both hands when removing.

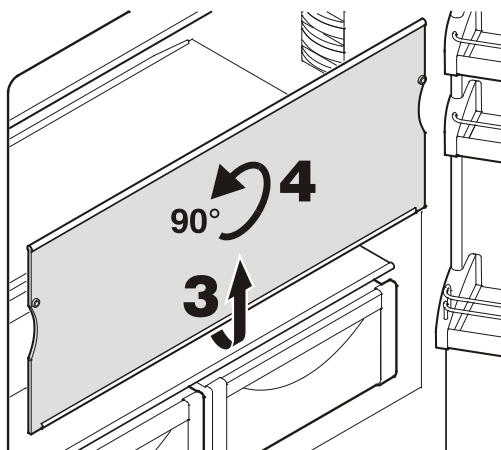


Figure 15

Interior Light

The interior light is located at the left, right and top in the refrigerator compartment (**Figure 16**) and above each drawer in the freezer compartment. It turns on if one of the doors or one freezer drawer is opened.

WARNING

The interior light emits class 1M laser radiation. DO NOT look directly at light or through any optical instruments when the light cover is removed. Severe eye injury can occur.

The light turns OFF automatically if one of the doors or one freezer drawer has been opened for approximately 15 minutes. The audible alarm sounds at the same time.

If one light is not lit, it is defective.

WARNING

The interior light may only be replaced by the customer service technician or by competent skilled personnel!
Do not try to change the defective lighting yourself!

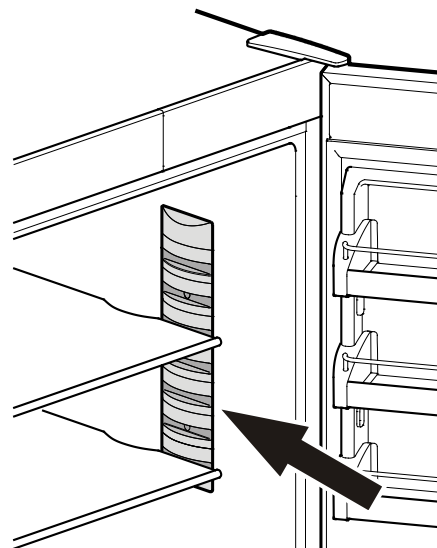


Figure 16

FREEZER COMPARTMENT

Freezer compartment description - Figure 17

Both drawers can be used for freezing of food or storage of frozen food.

The Ice cube bin in the upper drawer is intended for ice cubes only.

If you need the whole upper drawer for freezing or storage, the ice cube bin can be removed.

IMPORTANT

The ice maker will not eject the ice cubes of its tray if the bin has been removed.

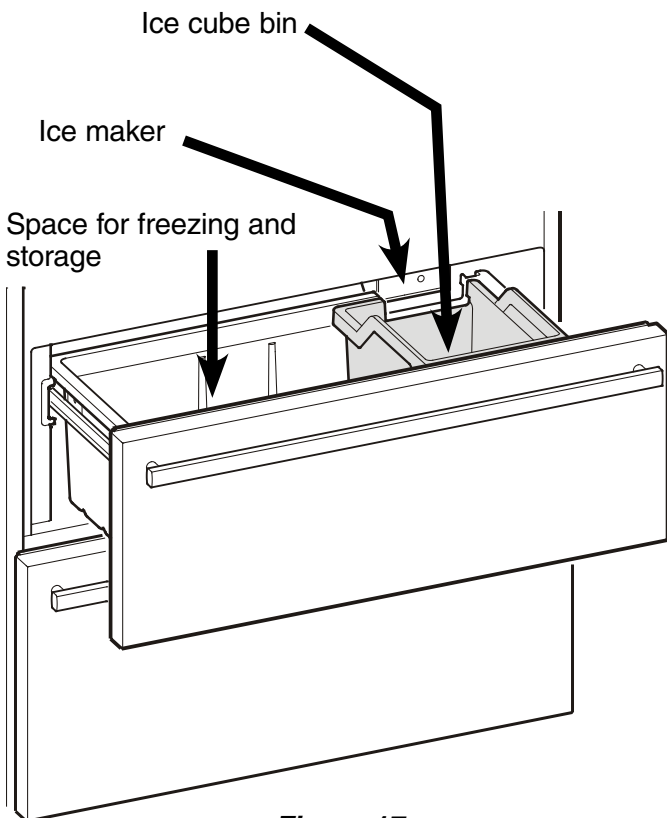


Figure 17

Freezing capacity - Figure 28

Fresh food should be frozen completely and as rapidly as possible. This is provided by the Superfrost feature and ensures that the nutritional value, appearance and flavor of the food remains intact.

The maximum amount of food which can be frozen in 24 hours is shown on the model plate ("Freezing capacity ... kg/24h").

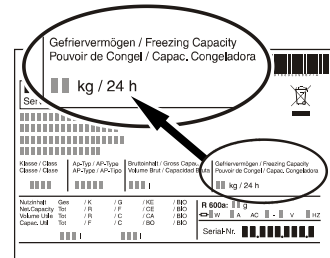


Figure 28

FREEZER COMPARTMENT

Freezing with Superfrost - Figure 19

- Touch the Superfrost icon briefly ^{SuperFrost} ** so the LED ** turns ON.
The freezer temperature will decrease and the appliance will change to the lowest temperature.
- For small amounts of frozen food, it is normally sufficient to turn ON Superfrost six hours beforehand. For the **maximum** amount (see freezing capacity on the model plate) you will need to turn it ON 24 hours before.
- Then place the fresh food inside the freezer.
- The Superfrost function turns OFF automatically. Depending on the quantity of food placed in the freezer, this will normally be between 30 and maximum of 65 hours.

The freezing process is now complete; the Superfrost LED ** will turn OFF, and the freezer will change back to normal energy-saving operation.

IMPORTANT

You should not turn ON the Superfrost function:

- when placing frozen food in the freezer;
- when freezing up to approximately 4-1/2 lbs (2 kg) fresh food daily.

Freezing and Storage

- Pack frozen food in standard freezer bags or reusable plastic, metal or aluminum containers.
- Do not allow fresh food which is to be frozen to come into contact with food already frozen. Always keep packages dry in order to avoid them sticking together.
- Always write the date and contents on the package and do not exceed the stated storage time for the food. This prevents spoiling.
- Pack food which you are freezing yourself in quantities right for your household. To ensure the food freezes right through quickly, the following quantities should not be exceeded per package:
 - fruit, vegetables: up to 2-1/4 lbs (1 kg);
 - meat: up to 5-1/2 lbs (2.5 kg).
- Do not freeze bottles and cans which contain carbonated drinks as they might burst. Drinks can be cooled down quickly, but take the bottles out of the freezer compartment after an hour at the most.
- Only take out as much food as needed for thawing. Cook food which has been thawed as quickly as possible. Frozen food can be thawed in the following ways:
 - in a microwave oven
 - in the refrigerator: the safer way to thaw food because there is less chance of bacteria growth. Use this method for high density food such as roasts or poultry.

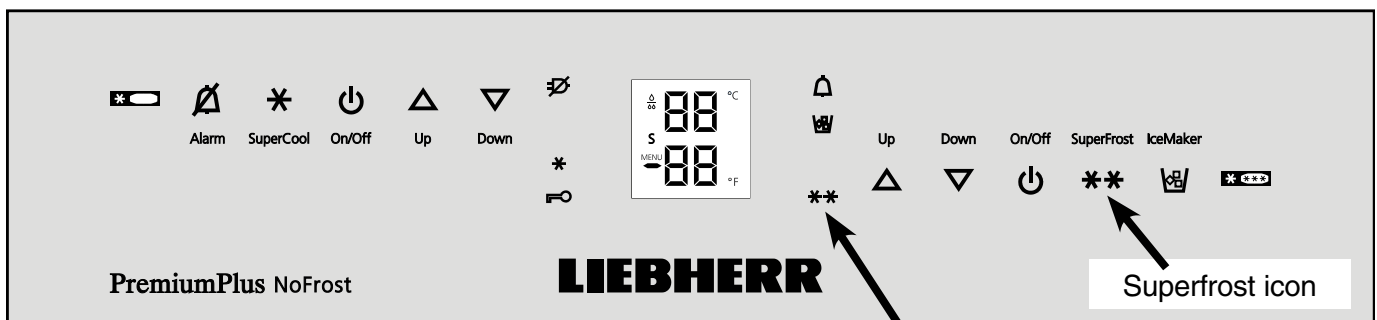


Figure 19

Superfrost LED

ICEMAKER

Safety Instructions and Warnings

- The ice maker is designed exclusively to make ice cubes in quantities needed by a household and may only be operated with water appropriate for this purpose.
- All repairs and work on the ice maker may only be done by customer service personnel or other appropriately trained personnel.
- **Do not consume or use the first three batches of ice. This applies both to using the appliance for the first time and also using it after it has not been used for a long period of time.**
- **The manufacturer cannot accept liability for damage caused by equipment or water lines between the solenoid valve and the water supply.**
- The ice maker will only work if the combined refrigerator-freezer is connected to the electrical outlet. It will only make ice cubes if the freezer compartment is operating.
- The ice maker can only make ice cubes if the upper freezer drawer is completely closed and the ice cube bin is installed correctly (**Figure 20**).

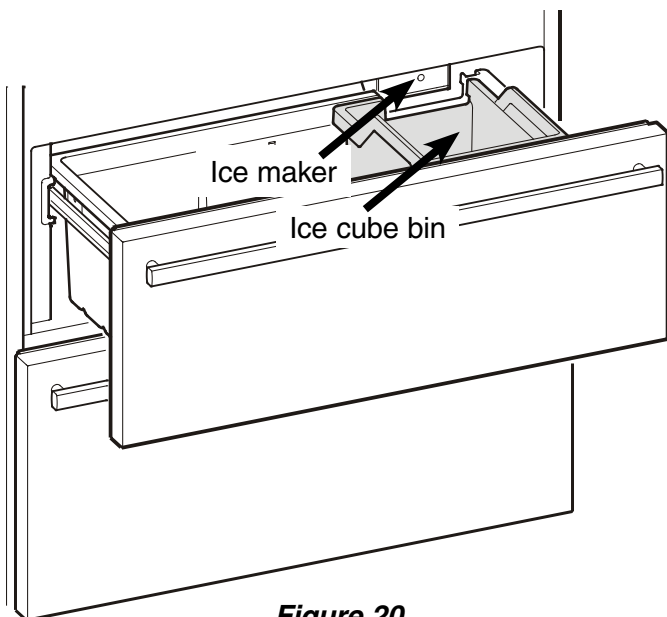


Figure 20

To Start the Ice Maker

To turn the Ice Maker on

- Touch the **Ice Maker icon** so the **Ice Maker LED** comes on (**Figure 23**).

After you start the ice maker for the first time it may take up to 24 hours before the first ice cubes are ready.

Note

The first three batches of ice must not be consumed or used.

The production capacity depends on the temperature inside the freezer compartment. The lower the temperature, the more ice can be produced over a period of time.

The ice cubes fall out of the ice maker into the Ice cube bin (**Figure 20**). When the ice reaches a certain level in the bin, the appliance stops producing ice automatically.

To turn the Ice Maker off

If you do not need any ice cubes, the ice maker can be turned off independently of the freezer compartment.

- Touch the Ice Maker icon so the Ice Maker LED goes out.

Note

*The ice maker can also be turned on and off by pressing the "ON/OFF" button at the ice maker housing for approximately 1 second (**Figure 21**).*

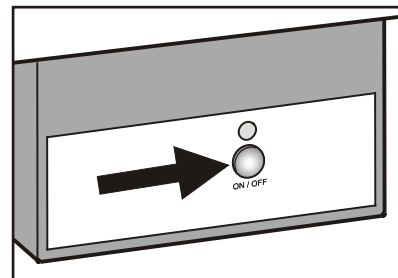


Figure 21

Ice Maker at vacations

In case of longer vacations, the ice maker tray (arrow in **Figure 22**) should be emptied.

By setting the ice maker into the vacation state, the tray will rotate down and no water remains in the tray (**Figure 22**).

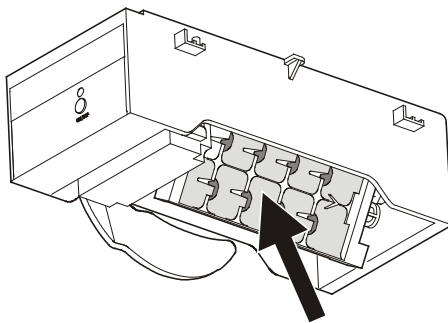




Figure 22



The freezer drawer must be left open, so the surface of the tray dries up and no mold or unpleasant odors can occur.

How to activate the Ice Maker Vacation State

Be sure the upper freezer drawer is completely closed and the ice cube bin is installed correctly. (**Figure 20**).

1. Activate the setup mode by touching the **Superfrost** icon for 5 seconds.
2. Touch the **freezer compartment Down** icon until **!** appears in the freezer temperature display.

3. Touch the **Superfrost** icon - the display shows  or  depending on the ice maker is turned ON or OFF.

4. Touch the **freezer compartment Down** icon - the display shows .
5. Touch the **Superfrost** icon - the digit **!** flashes .

The ice maker tray rotates down.

When the interior temperature appears in the display, the tray is in the down position (**Figure 22**) and the ice maker is turned off automatically.

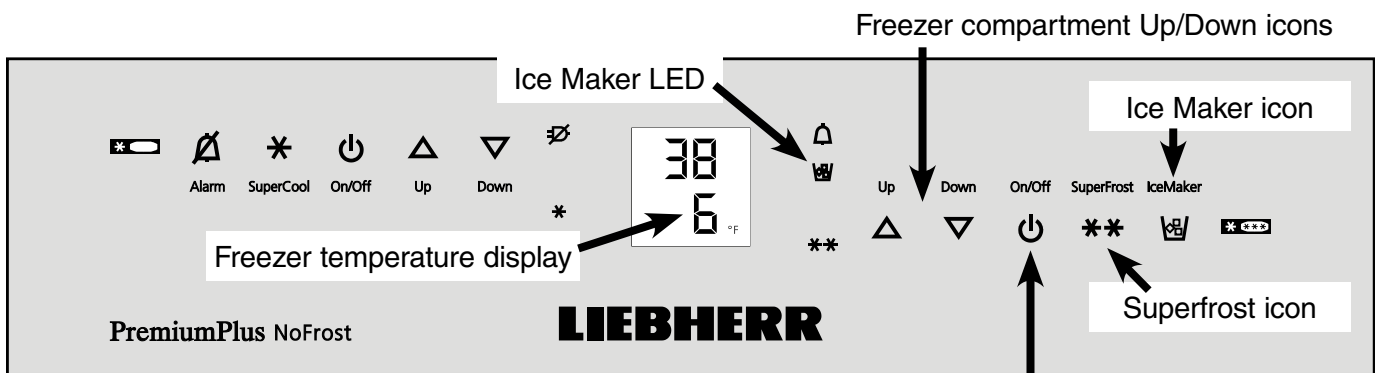


Figure 23

CLEANING

Cleaning

WARNING



- To prevent possible injury due to an electrical shock, be sure to disconnect the power cord or turn OFF the circuit breaker before cleaning the appliance.
- To avoid injury or damage, do not use steam cleaning equipment to clean the appliance.

A compound of lukewarm water and dishwasher detergent is recommended for cleaning the appliance and equipment parts.

Use for stainless steel surfaces a good quality stainless steel cleaner only.

Do not use abrasive or scouring sponges. **Do not** use concentrated cleaning agents. **NEVER** use abrasive or acid cleaners or chemical solvents.

WARNING

To avoid short-circuits, ensure no cleaning water penetrates into the electrical components when cleaning the appliance. Do not use a sponge or cloth that is overly wet.

- Remove all food from the refrigerator and freezer compartments and store on a cool place temporarily. Store frozen food in other freezers if available.
- Remove the door racks as shown in **Figure 14**.
- Remove vegetable drawers as shown in **Figure 15**.
- Remove glass shelves as shown in **Figure 17**.
- Pull out the upper freezer drawer completely. Remove the ice cube bin by moving upwards. The position of the ice cube bin is shown in **Figure 19**.
- Clean the equipment parts by hand with lukewarm water and dishwasher detergent.

CAUTION

Do not clean the equipment parts in a dishwasher. Strips of these parts could get loose.

- Clean the refrigerator and freezer drawers interior with lukewarm water and dishwasher detergent.

- Dry all parts well with a cloth.
- **Do not** damage or remove the model plate on the inside of the appliance. It is very important for servicing your appliance.

Keep your stainless steel looking new by cleaning with a good quality stainless steel cleaner or polish monthly. High quality stainless steel cleaners and conditioners are commercially available.

DO NOT CLEAN WITH STEEL WOOL PADS or ABRASIVE PADS. Do not use cleaners that are not for use on stainless steel, such as glass, tile or counter cleaners. These types of cleaners can damage the surface permanently.

Stainless steel that is exposed to chlorine gas and moisture may have some discoloration. This discoloration is normal. If your unit is used in this environment, clean and polish your stainless steel more often.

If the surface discolors or rusting appears, clean it quickly with a non-abrasive cloth and protect it. Always clean and polish in the direction of the grain and finish.

- Open the bottom freezer drawer and unscrew the ventilation grille **Figure 24**.
- Remove the dust filter (**Figure 25**) and clean in a dishwasher or by hand with lukewarm water and dishwasher detergent.
- Install the dust filter and ventilation grille.
- Install all equipment parts and replace the food in the appliance.
- Turn the appliance on.

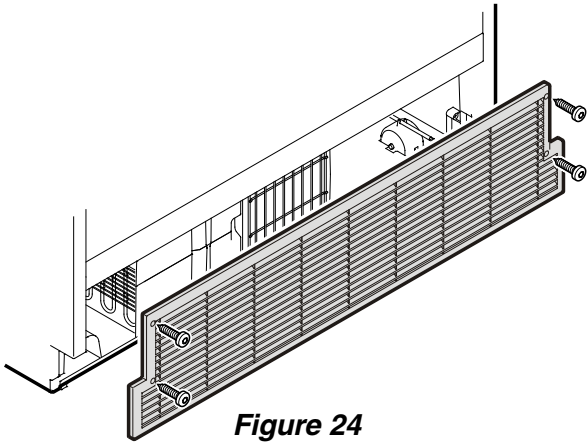


Figure 24

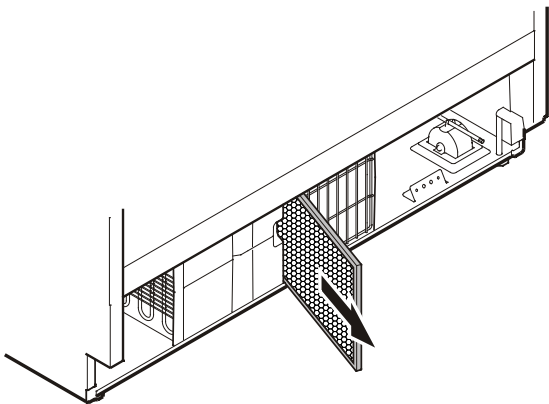


Figure 25

Defrosting

Refrigerator compartment:

The refrigerator compartment defrosts automatically. The water that forms on the rear wall drains into a reservoir at the back of the appliance and evaporates automatically through the compressor heat.

Freezer compartment:

The No-frost system automatically defrosts the freezer compartment. Any moisture will collect on the evaporator and freeze. It will periodically defrost and evaporate.

Vacation Tips

Short vacations:

It is not necessary to turn OFF the refrigerator and freezer if you will be away for less than four weeks.

- Use all perishables.
- Freeze other items.
- Turn OFF the ice maker.
- Shut off the water supply to the ice maker.

Long vacations:

If you will be away for a month or more:

- Set the ice maker to the vacation state. Refer to chapter "Ice Maker at vacations" - page 21.
- Remove all food from the refrigerator and freezer compartments.
- Turn OFF the refrigerator and freezer compartments.
- Clean the appliance. Refer to **Cleaning**.
- Leave the door open to prevent unpleasant odors. This will also keep mold from building up.
- Shut off the water supply to the ice maker.

TROUBLESHOOTING

If a problem occurs during operation, check whether it is due to an operating error.

Please note that even during the warranty period, some repair costs may be your responsibility.

You may be able to correct the following faults by checking the possible causes yourself:

Problem	Possible Cause and Remedy
Appliance does not work, display is OFF	<ul style="list-style-type: none">- Is the appliance turned ON properly?- Is the power source plug properly inserted in the socket?- Is the circuit breaker or fuse in operating condition?
The interior light does not come ON	<ul style="list-style-type: none">- Is the refrigerator compartment turned ON?- Has the door been open for more than 15 minutes?
Loud running noise	<ul style="list-style-type: none">- Is the appliance standing firmly on the floor, or does the compressor cause nearby items of furniture or objects to vibrate? If necessary, move the appliance slightly, align by adjusting the adjustable feet, or move bottles and containers apart.
Motor seems to run too long	<ul style="list-style-type: none">- Is the ambient temperature too hot? See Safety Regulations.- Has the appliance been opened too often or left open too long?- A large amount of food has been added.- Unit is in Supercooling mode. Verify unit is in normal operation mode.
The temperature is not cold enough	<ul style="list-style-type: none">- Is the temperature setting correct? See Setting the Temperature.- Has an excessive amount of fresh food been placed in the appliance?- Does a separately installed thermometer show the correct reading?- Is the ventilation system working properly?- Is the appliance set up too close to a heat source?

IceMaker Troubleshooting

You may be able to correct the following faults yourself:

If you are unable to repair the fault yourself or if the control lamp above the "ON/OFF" button flashes, contact our customer service department.

Problem	Possible Cause and Remedy
Icemaker cannot be turned on.	Is the combined refrigerator-freezer connected to the electrical outlet?
Icemaker is not making any ice.	<ul style="list-style-type: none"> - Is the ice maker turned on? - Is the water supply line open? - Is the ice maker drawer closed properly?

Customer Service - Figure 26



If none of the above causes apply and you cannot correct the fault yourself this means there is a fault. Please contact your nearest customer service department (see enclosed list for addresses).

Give the **fault number displayed**, together with the **Type Designation** ①, **Service Number** ② and **Appliance / serial number** ③ as given on the model plate, to ensure prompt, accurate servicing. The model plate is located inside the appliance on the left-hand side.

Leave the appliance closed until the customer service engineer arrives to prevent any further cold loss.

Appliance Information

Record this information when the appliance is installed.

Type Designation: _____

Service Number: _____

Appliance / serial number: _____

Date of Purchase: _____

Where Purchased: _____

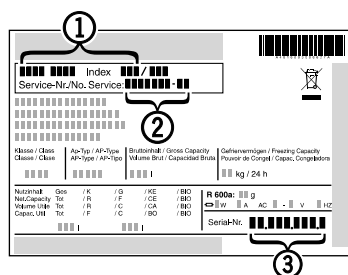


Figure 26

WARRANTY

LIEBHERR WARRANTY PLAN

FULL TWO YEAR WARRANTY - For two years from the date of original purchase, your Liebherr warranty covers all parts and labor to repair or replace any part of the product which proves to be defective in materials or workmanship.

FULL FIVE YEAR WARRANTY - For five years from the date of original purchase, your Liebherr warranty covers all parts and labor to repair or replace any components that prove to be defective in materials or workmanship in the sealed system. The "Sealed System" means only the compressor, condenser, evaporator, drier and all connecting tubing.

LIMITED 6TH THROUGH 12TH YEAR WARRANTY - From the 6th through 12th year from the date of original purchase, your Liebherr warranty covers all parts that prove to be defective in materials or workmanship in the Sealed System (parts only).

TERMS APPLICABLE TO EACH WARRANTY

All service provided by Liebherr under the warranty must be performed by authorized Liebherr service representatives, unless otherwise specified by Liebherr. Service will be provided in the home during normal business hours. This warranty applies only to products installed for normal residential use. Details regarding a non-residential warranty are available on request.

The warranty applies only to products installed in Canada and any one of the fifty States of the United States or the District of Columbia. This warranty does not cover any parts or labor to correct any defect caused by negligence, accident or improper use, maintenance, installation, service or repair, including but not limited to improper removal and reinstallation of the condensing unit.

The remedies described above for each warranty are the only ones which Liebherr will provide, either under these warranties or under any warranty arising by operation of law. Liebherr will not be responsible for any consequential or incidental damages arising from the breach of these warranties or any other warranties, whether express, implied or statutory.

Some states do not allow the exclusion or limitation of incidental or consequential damages so the above limitation or exclusion may not apply to you. This warranty gives you specific legal rights and you may also have other rights which vary from State to State.

To receive parts and/or service and the name of the Liebherr authorized service representative nearest you, contact your Liebherr dealer or distributor or contact the Liebherr designated national service provider:

in the US: Liebherr@adcoservice.com, or call 1-866-LIEBHERR or 1-866-543-2437

in Canada: www.euro-parts.ca, or call 1-888-LIEBHERR or 1-888-543-2437.

Free Manuals Download Website

<http://myh66.com>

<http://usermanuals.us>

<http://www.somanuals.com>

<http://www.4manuals.cc>

<http://www.manual-lib.com>

<http://www.404manual.com>

<http://www.luxmanual.com>

<http://aubethermostatmanual.com>

Golf course search by state

<http://golfingnear.com>

Email search by domain

<http://emailbydomain.com>

Auto manuals search

<http://auto.somanuals.com>

TV manuals search

<http://tv.somanuals.com>