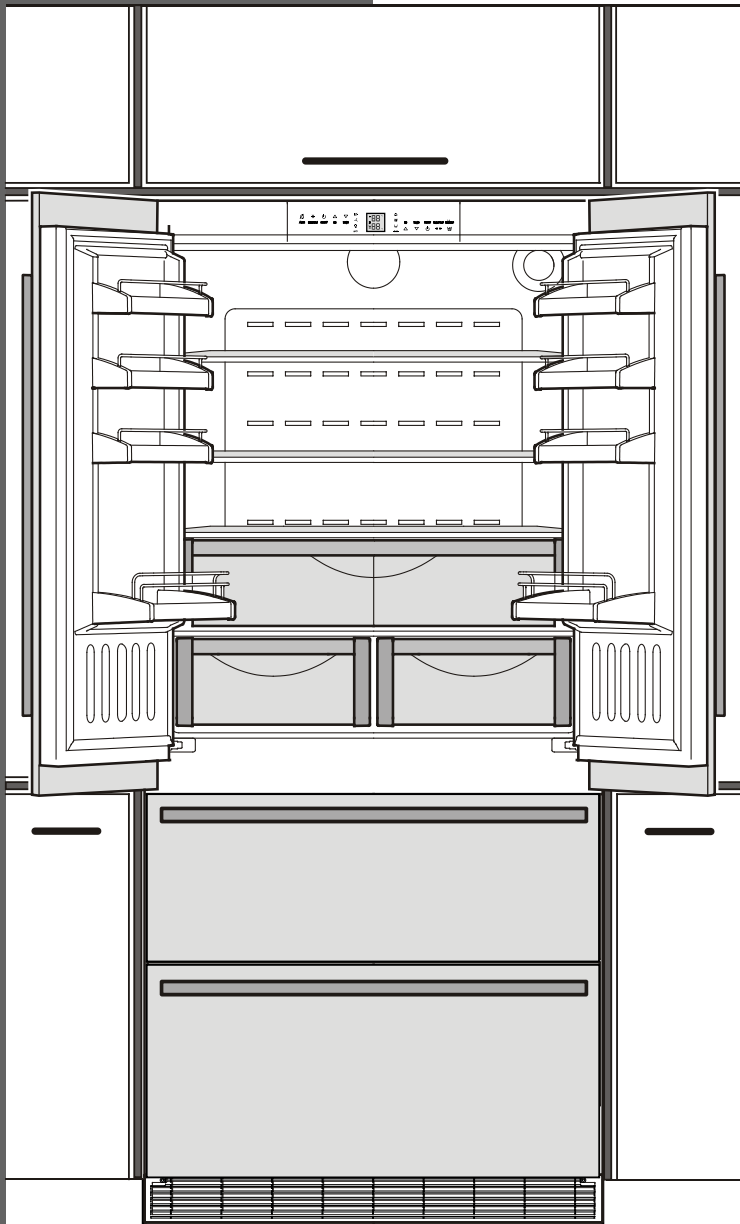


LIEBHERR



Installation Instructions

For Fully Integrated NoFrost
Combined Refrigerator-Freezers

Instructions de montage

Pour les réfrigérateurs-congérateurs
combinés NoFrost encastrés,
pour une utilisation intégrée

Instrucciones de instalación

Para combinados frigorífico-
congelador NoFrost incorporados,
para uso integrado

Parlez-vous français? Voir page 15

Habla español? Véase página 29

HCS 20
7081 417-00

IMPORTANT

PLEASE READ AND FOLLOW THESE INSTRUCTIONS

These instructions contain Warning and Caution statements. This information is important for safe and efficient installation.

Always read and follow all Warning and Caution statements!

WARNING

Warning indicates a potentially hazardous situation which, if not avoided, could result in death or serious injury.

CAUTION

Caution indicates a potentially hazardous situation which, if not avoided, may result in minor or moderate injury.

IMPORTANT

This highlights information that is especially relevant to a problem-free installation.

Make sure incoming voltage is the same as the unit rating.

To reduce the risk of fire, electric shock, or personal injury, installation work and electrical wiring must be done by a qualified electrician in accordance with all applicable codes and standards, including fire-rated construction.

TO THE INSTALLER

It is very important that the guidelines and instructions are followed in the manual to ensure proper installation and operation of the unit. The Installation Guidelines section contains important information for making sure the installation is correct. Read and understand all the information in Installation Guidelines, and in this manual before the unit is installed.

CAUTION

Always wear protective devices such as protective gloves and eye shields when installing the appliance. Also use hearing protection when drilling holes into concrete floors.

Contents	Page
Planning Information	
Unit dimensions	4
Unit venting	4
Cabinet opening dimensions	5
Blocking For Safety	
Mounting the anti - tipping device on concrete floors	6
Mounting the anti - tipping device on wooden floors	7
Mounting the anti - tipping device in cabinets deeper than 24-3/4"	7
Ice Maker	
Safety instructions and warnings.....	8
Water connection	8
Connection to the water supply	9
Installation	
Leveling the refrigerator	10
Fasten the appliance in the recess	10
Before mounting the door panels	10
Mounting the attachment brackets onto the door panels	11
Mounting the refrigerator door panels.....	12-13
Mounting the ventilation grille	14

INSTALLATION GUIDELINES

Area Requirements

Verify the following:

- Floors can support refrigerator's weight plus approximately 1200 pounds (544 kg) of food weight.
- Finished kitchen floor height is level. Refrigerator must be shimmed level if the floor heights are not equal to make sure air vents are not obstructed.
- Remove anything attached to rear or side walls that can obstruct refrigerator opening.
- Cutout dimensions are accurate.
- Electrical outlet is in correct location.

Do not install this refrigerator-freezer next to any other refrigerator. Installing this refrigerator-freezer next to any other refrigerator or freezer can cause condensation or cause damage to the appliance.

Electrical Requirement

If codes require a separate grounding circuit to be used, have a qualified electrician install the circuit.

WARNING

Do not ground to a gas pipe. Check with a qualified electrician if you are not sure the appliance is properly grounded. Do not have a fuse in the neutral or grounding circuit.

WARNING

ELECTRICAL SHOCK HAZARD

- Electrically ground refrigerator.
- Do not use an extension cord.
- Failure to follow these instructions could result in fire or electrical shock.

WARNING

ELECTROCUTION HAZARD

Electrical Grounding Required. This appliance is equipped with a three-prong (grounding) polarized plug for your protection against possible shock hazards.

- **DO NOT** remove the round grounding prong from the plug.
- **DO NOT** use a two-prong grounding adapter.
- **DO NOT** use an extension cord to connect power to the unit.

CAUTION

To protect the refrigerator from possible damage, allow the appliance to stand 1/2 to 1 hour in place before turning the electricity on. This allows the refrigerant and system lubrication to reach equilibrium.

Customer's Responsibility

A 115 Volt, 60 Hz, 15 Amp fused electrical supply is required. We recommend using a dedicated circuit for this appliance to prevent electrical overload. Follow the National Electrical Code and local codes and ordinances when installing the receptacle.

Blocking For Safety

The anti-tip bracket must be installed to prevent the unit from tipping after it is installed. Refer to Blocking For Safety.

Unit Venting

Do not restrict the air flow. Air flow must be provided for the unit to operate.

PLANNING INFORMATION

Unit Dimensions - Figure 1

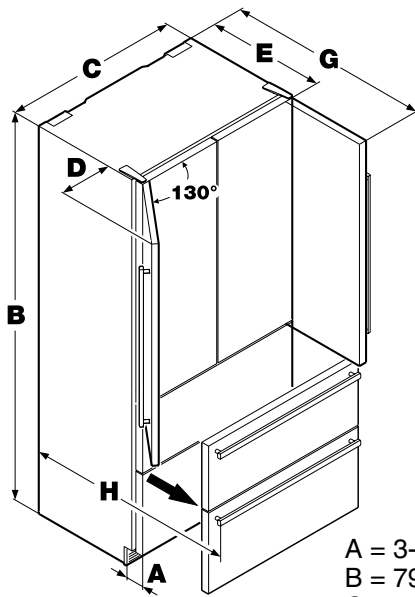


Figure 1

- A = 3-17/32" (90 mm)
- B = 79-13/16" (2027 mm)
- C = 35-13/16" (910 mm)
- D = 3 1/2" (89 mm)
- E = 24-7/32" (615 mm)
- G = 42-7/16" (1078 mm)
- H = 39-7/16" (1002 mm)

Door swing clearance - Figure 2

Please allow for door swing clearance at locations next to a wall.

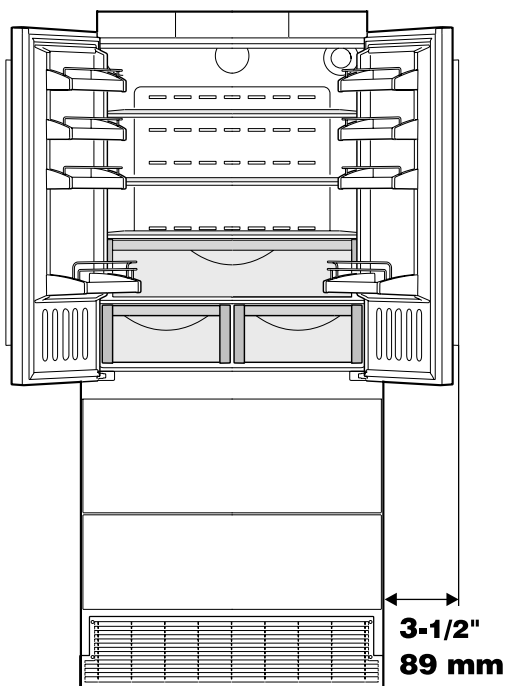


Figure 2

Unit Venting - Figure 3

HCS 20 appliances do not require any ventilation openings in the cabinet. The required airflow is directed through the toe kick area.

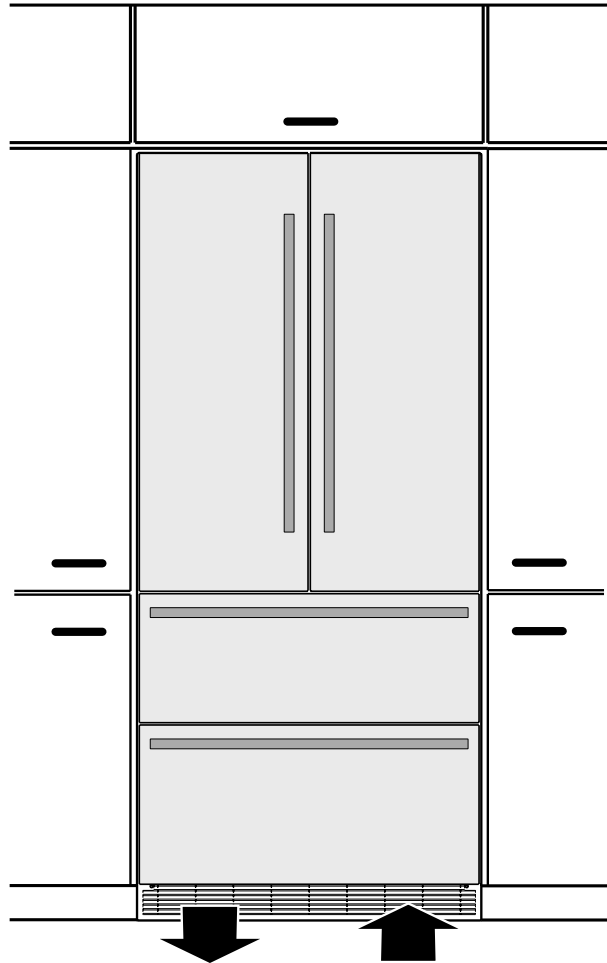
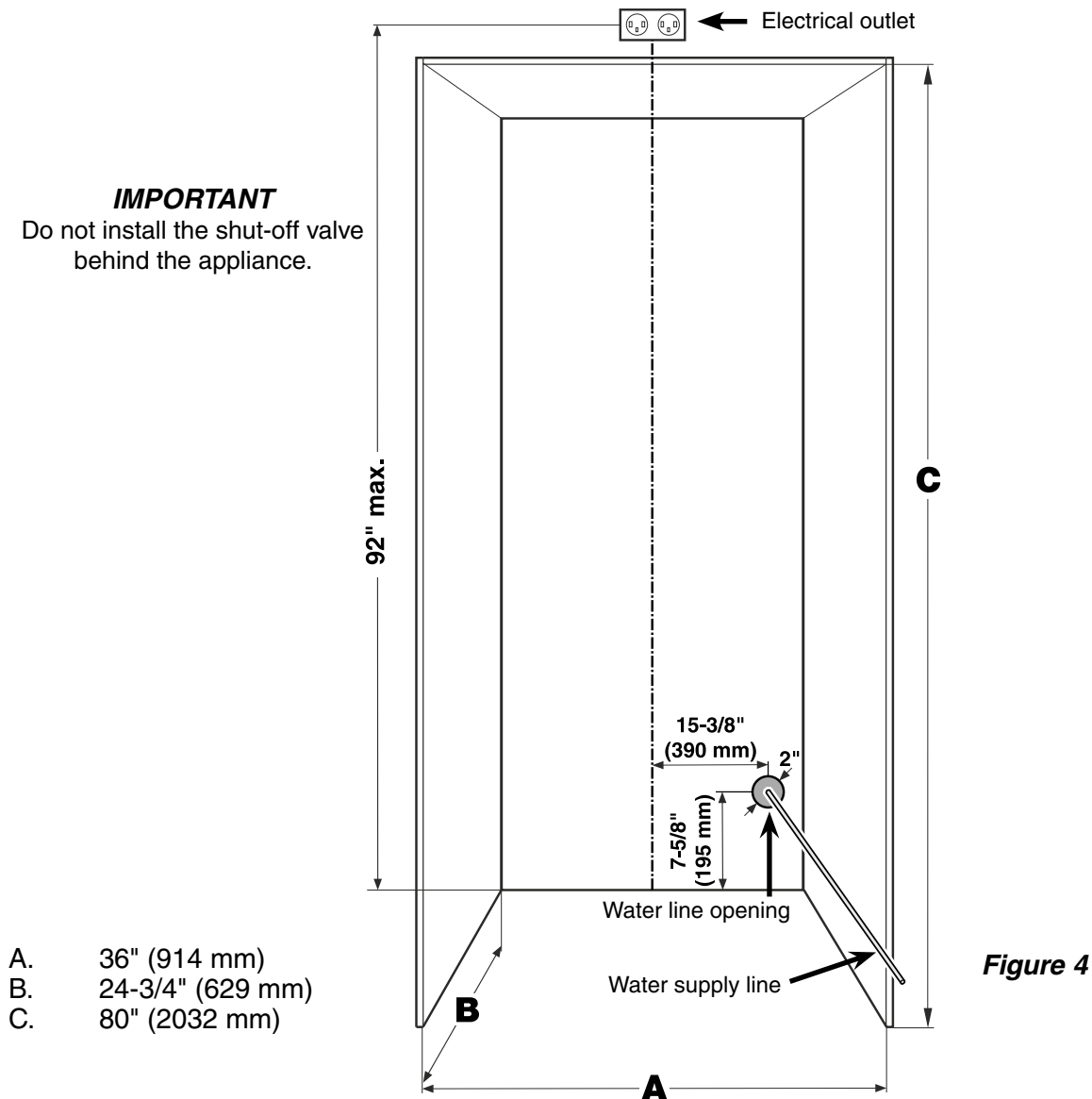


Figure 3

It is important to use the provided cover grille for the ventilation opening. This opening must not be covered with a cabinet base.

PLANNING INFORMATION

Cabinet Opening Dimensions - Figure 4



IMPORTANT

At 24" cabinets, the water line opening must be in the location as shown in **Figure 4**.

At cabinets deeper than 24" there is room to fit the pipe behind the appliance and the wall so there are no requirements for the water line lead out position.

IMPORTANT

The free length of the water supply line must be at least 31 - 1/2" (800 mm) when the tube comes out of the prescribed opening.

BLOCKING FOR SAFETY

Mounting the anti tipping device on concrete floors - Figure 5 - 6

Secure the appliance in place so it does not tip forward when the fully stocked doors are opened. The anti tipping bracket is provided with the appliance.

1. Mark the center line of the appliance on the back wall. Align the anti tipping bracket center to this line.

⚠ WARNING

Be sure that there is no plumbing or electrical wiring located in this area which screws or drills could damage.

2. Drill a 3/8" diameter hole in any position as shown in **Figure 4** using a carbide drill bit.

The depth of the holes must exceed the overall length of the anchors provided.

Clean the holes after drilling.

3. Attach washer and screw on hex nut to the end of each anchor.

Drive in all 3 anchors.

Align the bracket center to the center line on the back wall again.

Fasten the anchors by turning the hex nut.

4. Fasten bracket with 3 screws (1/4" x 2-1/8") into the wall plate (**Figure 6**).

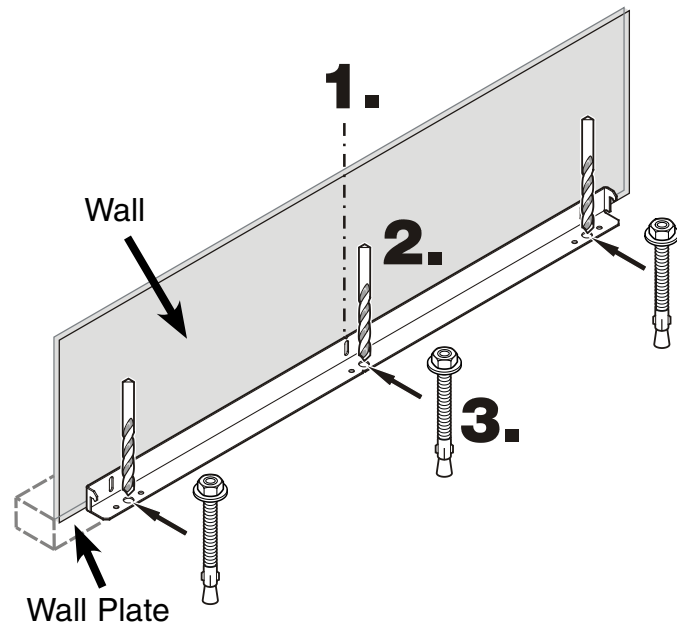


Figure 5

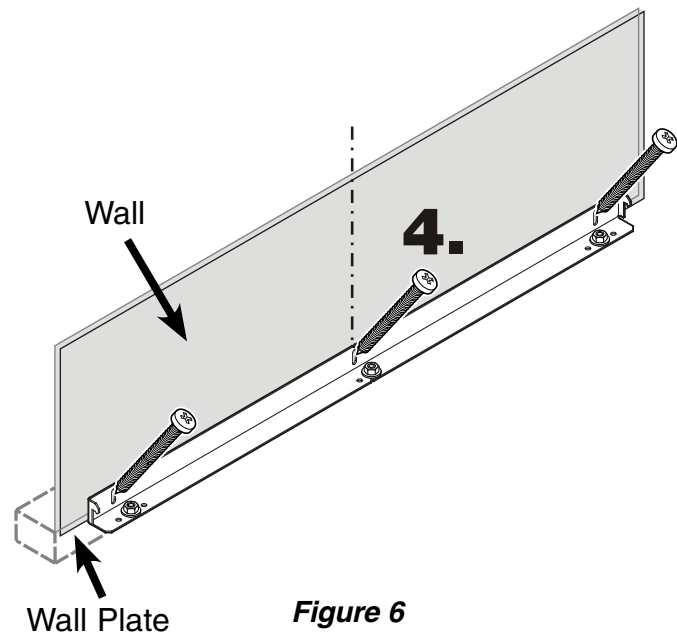


Figure 6

BLOCKING FOR SAFETY

Mounting the anti tipping device on wooden floors - Figure 7

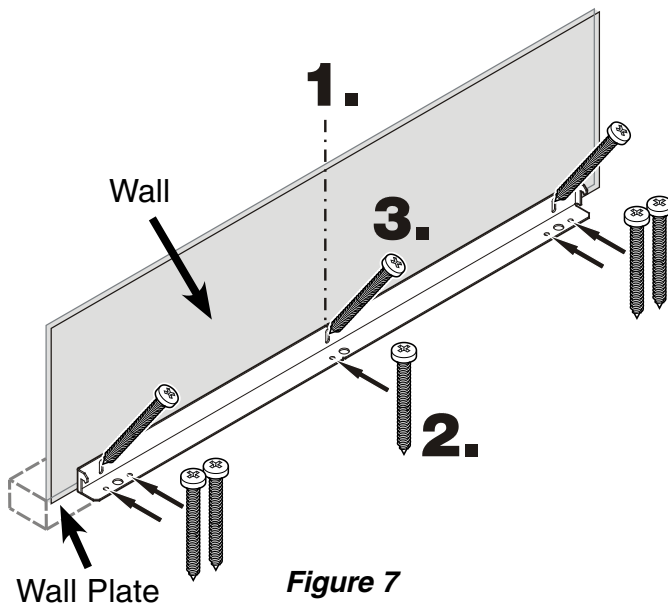
1. Mark the center line of the appliance on the back wall. Align the anti tipping bracket center to this line.



WARNING

Be sure that there is no plumbing or electrical wiring located in this area which screws or drills could damage.

2. Fasten bracket to the wooden floor using 5 screws (1/4" x 2-1/8"). Drill pilot holes if necessary.
3. Fasten bracket with 3 screws (1/4" x 2-1/8") into the wall plate.



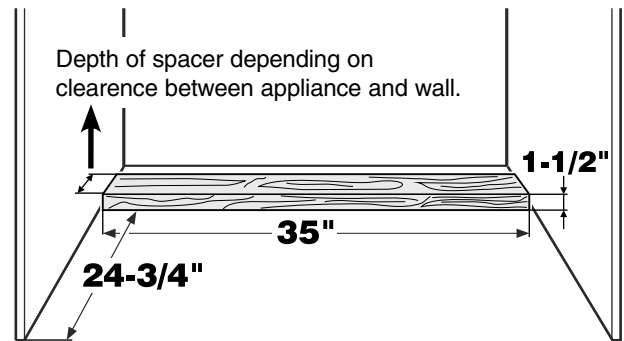
Mounting the anti tipping device in cabinets deeper than 24-3/4" - Figure 8

To ensure the compressor mounting plate reaches the anti tipping bracket at cabinets deeper than 24", a wooden spacer must be mounted between the appliance back and the wall. The anti tipping bracket will be fastened to the floor downwards and to the spacer backwards.



WARNING

Be sure the wooden spacer is fastened securely to the floor.



ICE MAKER

IceMaker

The icemaker for a combined refrigerator-freezer is located in the freezer compartment. It must be connected to the water supply to function properly. These instructions only refer to the installation of the icemaker. Please refer to the Use and Care Manual provided with the appliance for operation instructions. The combined refrigerator-freezer must be level for the icemaker to function properly.

Safety Instructions and Warnings

- Do not install the water connection while the combined refrigerator-freezer is connected to an electrical outlet.
- The connection to the water supply may only be made by a trained and licensed plumber.
- The water quality must comply with the drinking water regulations for the geographical area where the appliance is located.

Water Connection

- The water pressure must be between 21.8-87.0 psi (1.5-6 bar).
- Use a 1/4" OD copper line to connect the water supply to the solenoid valve. **This is not supplied with the refrigerator (Figure 9).**
- A shut-off valve, such as the saddle valve illustrated here, must be installed between the hose line and the main water supply so the water supply can be stopped if necessary.

Do not install the shut-off valve behind the refrigeration unit.

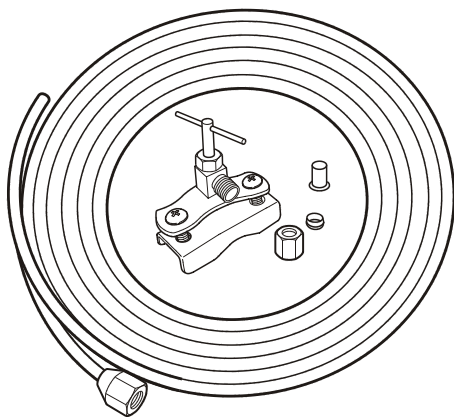


Figure 9

- If you have hard water, we recommend you install a water softener. Also, a filter must be installed if the water contains solids such as sand.
- All equipment and devices used to supply the water to the appliance must comply with the current regulations for your geographical area.

Cover strips - Figure 10

Before connection to the water supply, the cover strips provided must be fitted to the appliance. It is necessary because the appliance will be moved into its recess.

- Remove the cover band from the strips and stick them to the left and right front edge of the appliance housing (Figure 10).

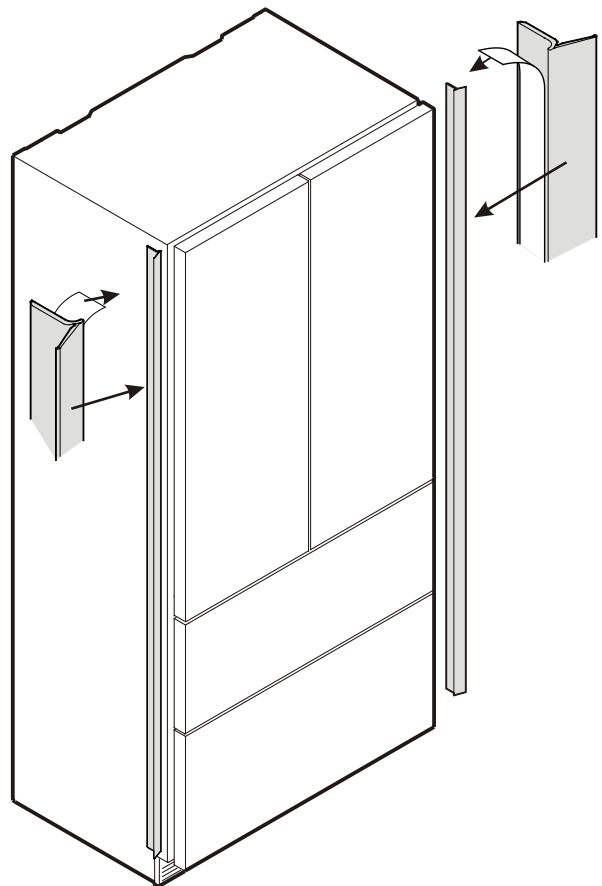


Figure 10

Connection to the Water Supply

1. Install the shut-off valve, water filter and automatic shut-off device as required.
2. The solenoid valve has a *Metric R3/4* male connector. A R3/4 (metric) to a 1/4" OD adapter is supplied with the icemaker.
3. Move the appliance towards the final position and leave a gap of approx. 30" behind.
4. Insert the water supply line into its intended opening at the back of the appliance (**Figure 11**).
5. Move the power supply line to the area of the electrical outlet.



WARNING

Do not connect to the electrical outlet before the installation is completed and the water line is connected to the solenoid valve.

6. Push the appliance slowly to the back wall until the compressor mounting plate makes contact with the anti-tipping bracket (**Figure 12**).



WARNING

To prevent the appliance from tipping forward the compressor mounting plate must have contact with the anti tipping bracket (Figure 12).

7. The water line is visible at the front of the appliance. Screw the OD adapter onto the solenoid valve and connect the water line with the adapter (**Figure 13**).
8. Open the shut-off valve for the water supply and check the entire water system for leaks.

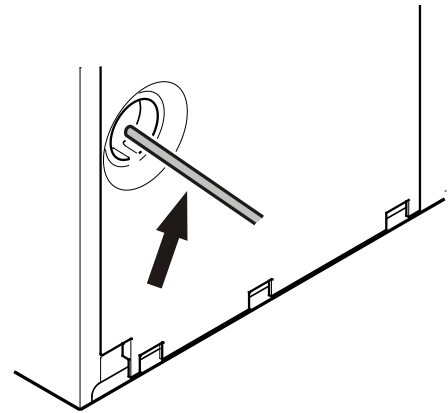


Figure 11

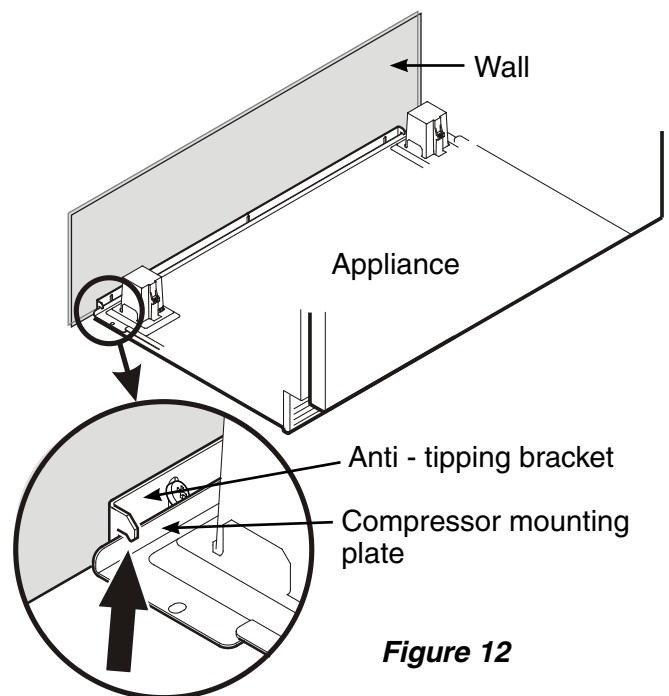


Figure 12

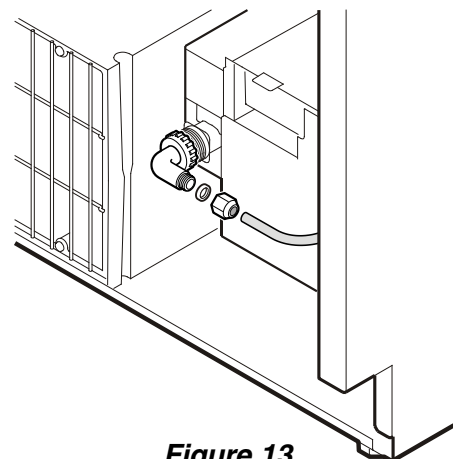


Figure 13

INSTALLATION

Leveling the Refrigerator - Figure 14

1. The height can be adjusted in front by twisting the leveling feet ①.
2. Twist the adjusting bolt ② to set up the back of the refrigerator.
3. Rotate leveling feet ① until firmly in place against the floor.

⚠ WARNING

To prevent the appliance from tipping forward the leveling feet ① (Figure 14) must have contact with the floor.

4. Align refrigerator with sides of kitchen cabinets by adjusting leveling feet and the supports.

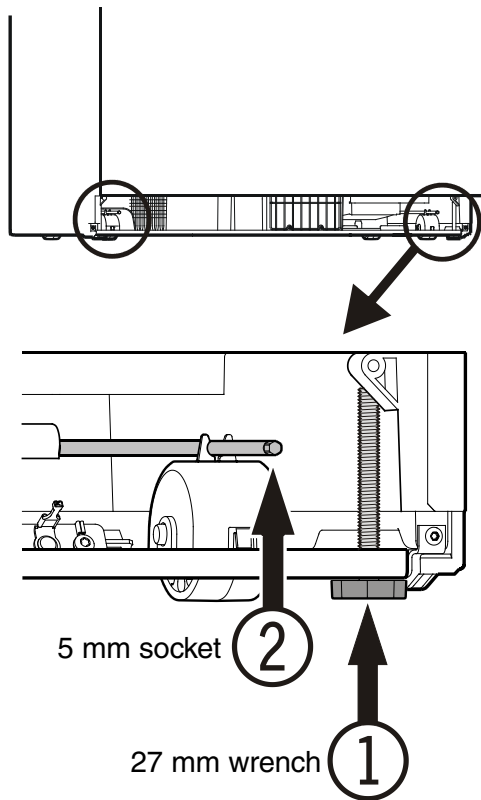


Figure 14

Cover plate for 84" cabinets

In the panel set for 84" cabinets the plate provided can be used to cover the space between appliance housing and cabinet top. Screw the cover plate on the appliance housing using two screws M5 x 15 (Figure 15).

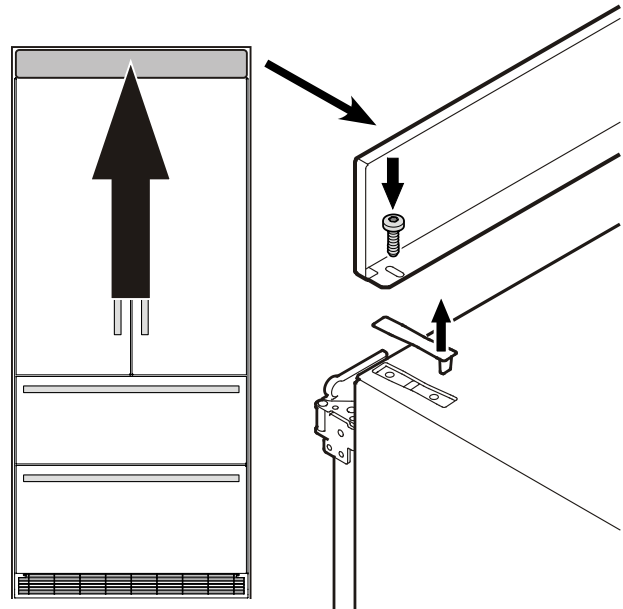


Figure 15

Fasten the appliance in the recess - Figure 16

Fasten the appliance in the recess through the upper and lower hinges of the refrigerator doors. Use 2 screws for each hinge (Figure 16).

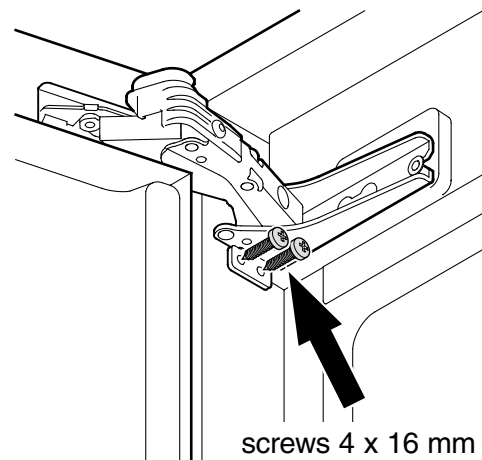


Figure 16

Mounting the attachment brackets onto the door panels

The refrigerator door panels comes in a separate package delivered with the appliance.

1. Unscrew the upper attachment brackets of both refrigerator doors (**Figure 17**).

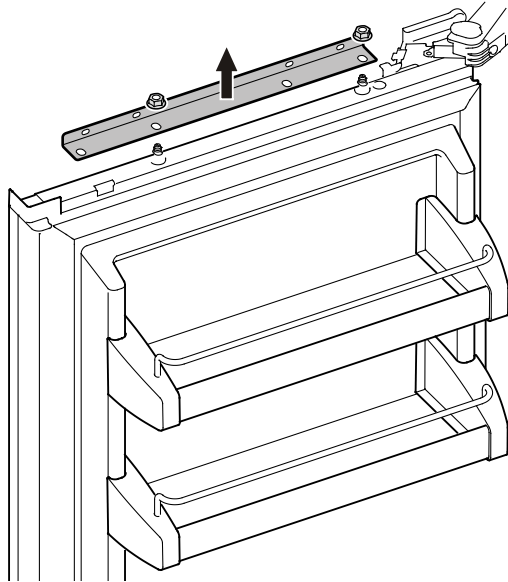


Figure 17

3. Fasten the attachment bracket onto the panel for the right refrigerator door using 4 x 16 mm screws (**Figure 19**).

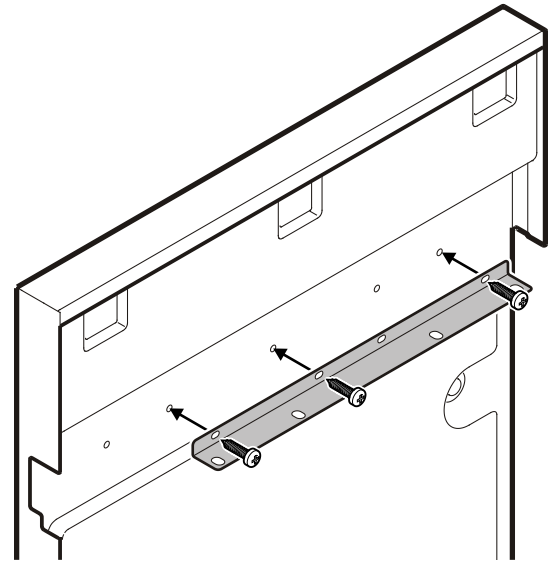


Figure 19

2. Remove cover plate of both panels (**Figure 18**). Replace this cover plate once attachment of the panels is complete.

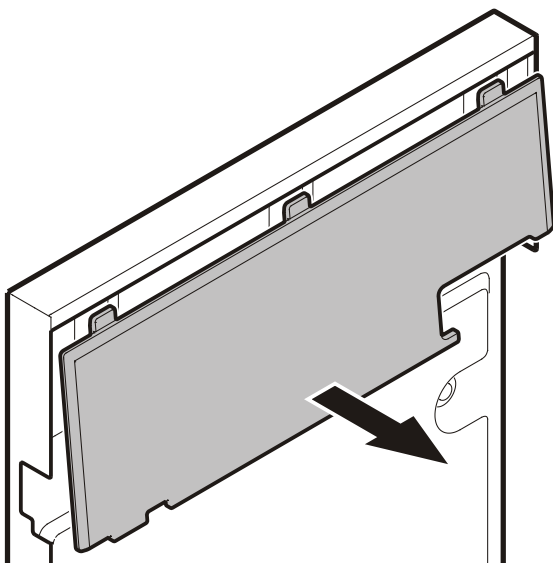


Figure 18

3. Fasten the attachment bracket onto the panel for the left refrigerator door using 4 x 16 mm screws (**Figure 20**).

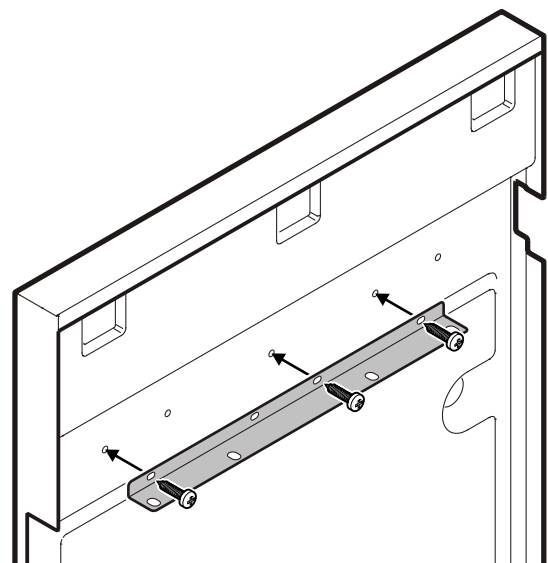


Figure 20

INSTALLATION

Mounting the refrigerator door panels - Figures 21 - 28

1. Open the left refrigerator door and suspend the panel on the adjusting bolts **Figure 21**.
2. Screw on the hex nuts to the adjusting bolts and tighten temporarily **Figure 21**.
5. Close the door and check the height of the panel.
6. Align the panel in its vertical position if necessary. Loosen the hex nuts and turn the adjusting bolts using a screwdriver for slotted screws. **Figure 23**.
7. Check the vertical position of the panel again and tighten the hex nuts finally.

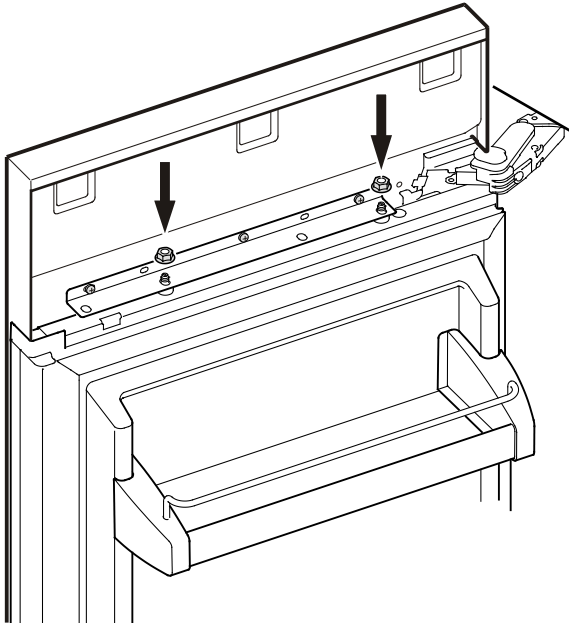


Figure 21

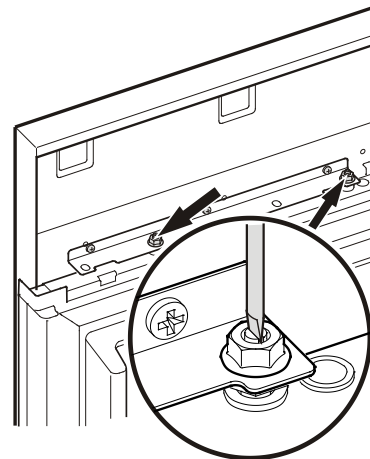


Figure 23

3. Loosen the three cross-head screws of the bracket and move the panel to the left until it makes contact with the center rail **Figure 22**.
4. Tighten the three cross-head screws **Figure 22**.

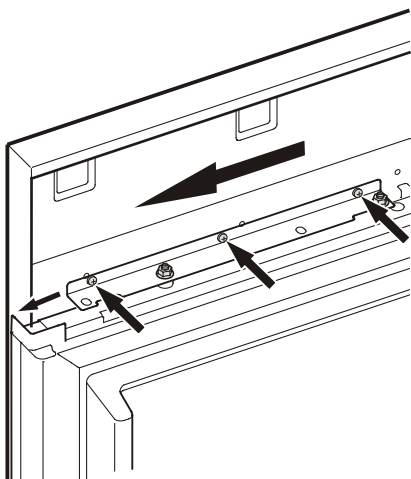


Figure 22

To make it possible to fasten the refrigerator panel at the bottom the soft-stop cylinder must be dismantled.

8. Stick a small screwdriver under the retaining clamp and lever out. **Figure 24**.

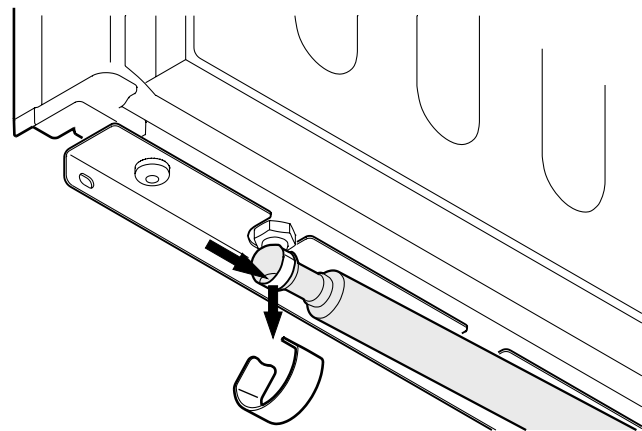


Figure 24

INSTALLATION

9. Grasp the soft-stop cylinder and pull down **Figure 25**.

CAUTION

The soft-stop cylinder retracts in the detached state.

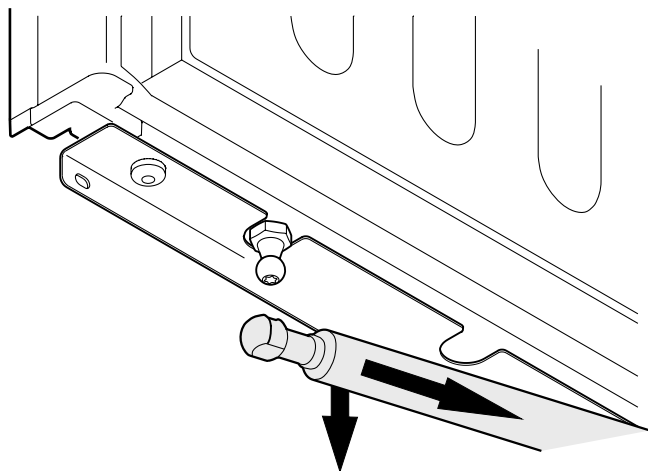


Figure 25

10. Fasten the refrigerator panel with three screws (4 x 16 mm) at the bottom **Figure 26**.

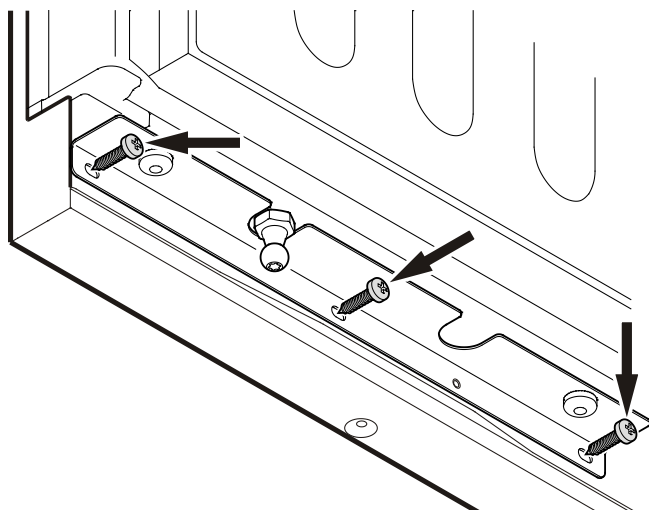


Figure 26

11. Extend the soft-stop cylinder and connect with the ball stud **Figure 27**.

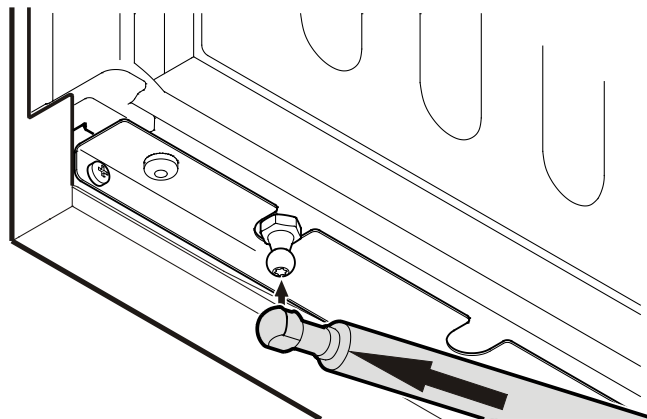


Figure 27

12. Attach the retaining clamp to the ball housing of the soft-stop cylinder **Figure 28**.

CAUTION

To avoid injury or damage, do not forget to secure the soft-stop device with the retaining clamp.

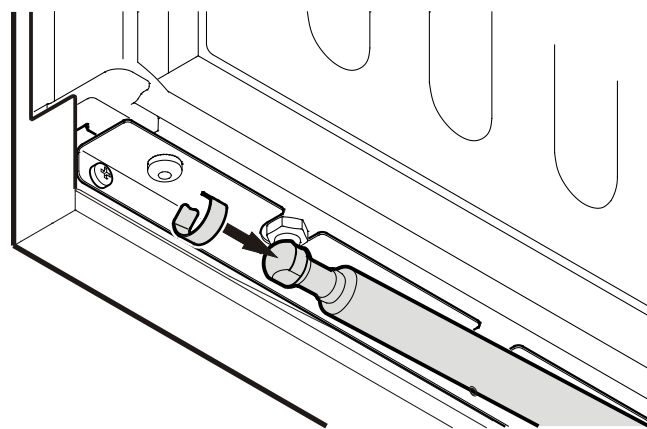


Figure 28

INSTALLATION

Mounting the ventilation grille -

Figure 29, 30

1. Pull out the bottom freezer drawer.
2. Remove the blue protection film from the dust filter provided and insert the filter into its opening in the toe kick area as shown in **Figure 29**.

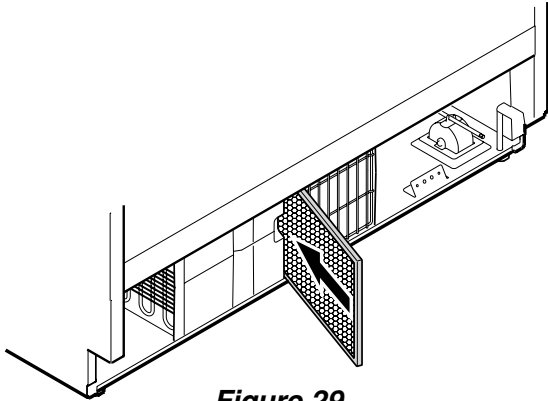


Figure 29

3. Mount the ventilation grille as shown in **Figure 30**.

IMPORTANT

Only use the ventilation grille provided with the appliance. This grille is required for proper operation of the appliance.

The ventilation opening must not be covered with a cabinet base.

Failure to use the supplied grille can result in product failure and will void the warranty.

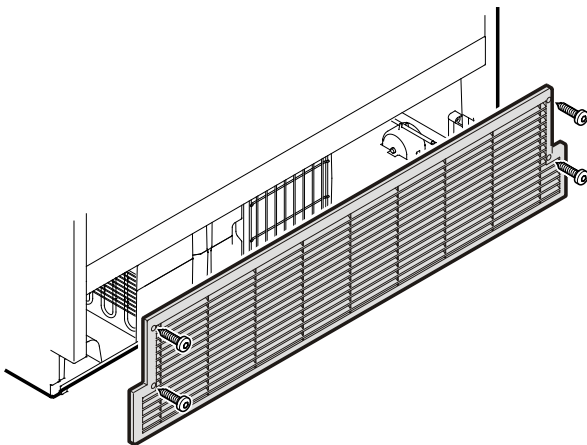


Figure 30

Free Manuals Download Website

<http://myh66.com>

<http://usermanuals.us>

<http://www.somanuals.com>

<http://www.4manuals.cc>

<http://www.manual-lib.com>

<http://www.404manual.com>

<http://www.luxmanual.com>

<http://aubethermostatmanual.com>

Golf course search by state

<http://golfingnear.com>

Email search by domain

<http://emailbydomain.com>

Auto manuals search

<http://auto.somanuals.com>

TV manuals search

<http://tv.somanuals.com>