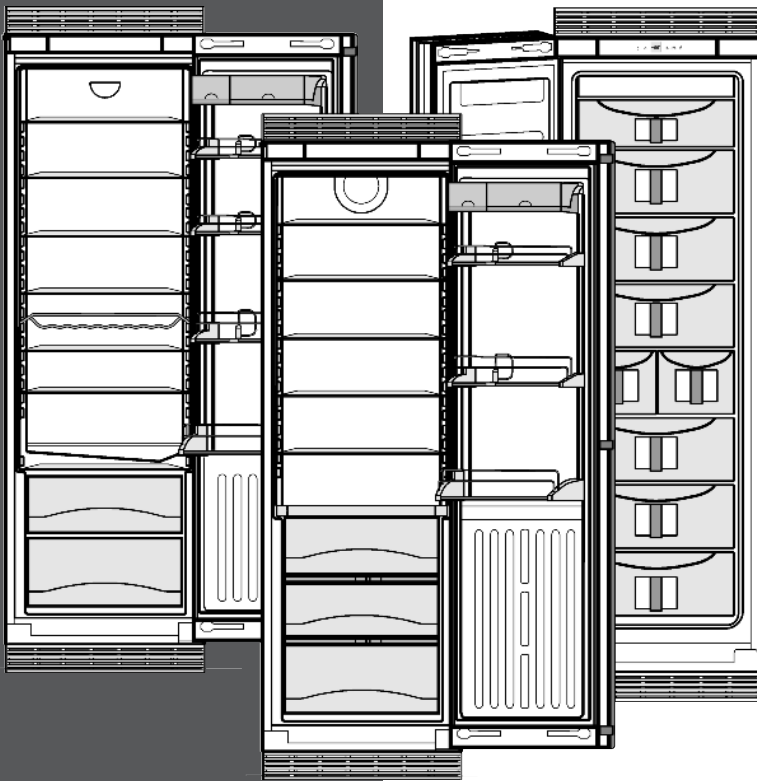


LIEBHERR

Installation Instructions

Refrigerators and freezers, built-in



RI 1410/ RBI 1410/ FI 1051
230609 7084314 - 00

General safety information

Contents

1	General safety information.....	2
2	Setting up the appliance.....	2
3	Planning information.....	4
4	Cabinet Opening Dimensions.....	7
5	Air circulation in the kitchen cabinet.....	7
6	Door swing clearance.....	8
7	Fitting décor panels.....	13
7.1	Fitting décor panels.....	13
7.2	Décor panel dimensions - Framed panels.....	14
7.3	Décor panel dimensions - Overlay panels.....	15
7.3	Single-unit installation.....	15
7.3	Side-by-side installation.....	16
7.3	Cut-out for glass window (WFI 1061).....	19
8	Changing the door hinges.....	19
8.1	Remove soft stop mechanism (top).....	19
8.2	Remove soft stop unit (bottom).....	20
8.3	Remove door.....	20
8.4	Swapping bearing parts.....	21
8.5	Swapping the clip-on frame.....	21
8.6	Fitting the door.....	21
8.7	Fitting the soft stop mechanism (bottom).....	22
8.8	Fitting soft stop mechanism (top).....	22
8.9	Aligning the door.....	23
9	Adjusting the door opening angle.....	23
10	Water connection.....	24
11	Anti-tip device.....	25
12	Single unit installation.....	25
13	Side-by-side installation.....	28
14	Installing the water filter.....	33
15	Connecting the appliance.....	33

The manufacturer is constantly working to improve all models. Therefore please understand that we reserve the right to make design, equipment and technical modifications.




To get to know all the benefits of your new appliance, please read the information contained in these instructions carefully.

The instructions apply to several models, so there may be differences. Sections which only apply to certain appliances are indicated with an asterisk (*).

Instructions for action are marked with a ►, the results of action are marked with a ▷.

1 General safety information

Read and follow these instructions. They contain safety advice which is important for safe and problem-free installation and operation. Always read and follow the safety advice.

	DANGER	indicates a hazardous situation, which if not avoided, will result in death or serious injury.
	WARNING	indicates a hazardous situation, which if not avoided, could result in death or serious injury.
	CAUTION	indicates a hazardous situation, which if not avoided, will result in minor or moderate injury.
	NOTICE	indicates a hazardous situation, which if not avoided, could result in damage to property.
	Note	indicates useful advice and tips.

It is important that the guidelines and instructions in this manual are followed so that the appliance is correctly installed and operates properly. Read and understand all information in this manual before the appliance is installed.

2 Setting up the appliance



WARNING

Risk of fire due to moisture!

If live parts or the power cord get wet, this can cause a short circuit.

- The appliance is designed for use in enclosed spaces. Do not operate the appliance in open space or in damp areas or where there is spray.



WARNING

Danger of fire and damage!

- Do not place devices that give off heat, e.g. microwaves, toasters, etc. on the appliance.



CAUTION

Risk of personal injury!

- Have two people move this appliance into place.

NOTICE

Risk of damage caused by condensation

Installing the appliance next to any other refrigerator or freezer can cause condensation or damage to the Liebherr appliance.

- Do not install this appliance next to any other refrigerator or freezer except another Liebherr model. Liebherr models are designed to allow side-by-side installation. They are equipped with a heating system to eliminate condensation when refrigerators or freezers are installed side-by-side.

NOTICE

Risk of damage for the finished floor surface!

- Protect the finished floor surface before you uncrate the unit.

Setting up the appliance

Verify that:

- The floor under the appliance is flat and level.
- The floor can support the appliance's weight plus approximately 1200 pounds (544 kg) of food weight.
- The appliance is not placed in direct sunlight or near the stove, range top, radiators and similar heat sources.
- The kitchen cabinet that the appliance is installed in is shimmed to the floor level if the floor heights are not equal.
- Cutout dimensions are accurate.
- Electrical outlet is in correct location.
- The air flow is not restricted. Air flow must be provided for the appliance to operate properly. The factory air vents provide 31 square inches (200 cm²) of air flow per appliance. If you are replacing the air vents with an overlay, the air flow must be the same or greater than the factory air vents.

- ▶ Examine the unit and packaging for shipping damage. Contact the carrier immediately if you suspect there is any damage.
- ▶ Note the type (model, number), index, appliance/serial number, date of purchase and where purchased .
- ▶ Remove anything attached to the rear or side walls of appliance that would prevent proper installation or impede proper ventilation.

If the appliance is set up in humid areas, condensation may build on the outside of the appliance.

- ▶ Always ensure proper ventilation.

Planning information

3 Planning information

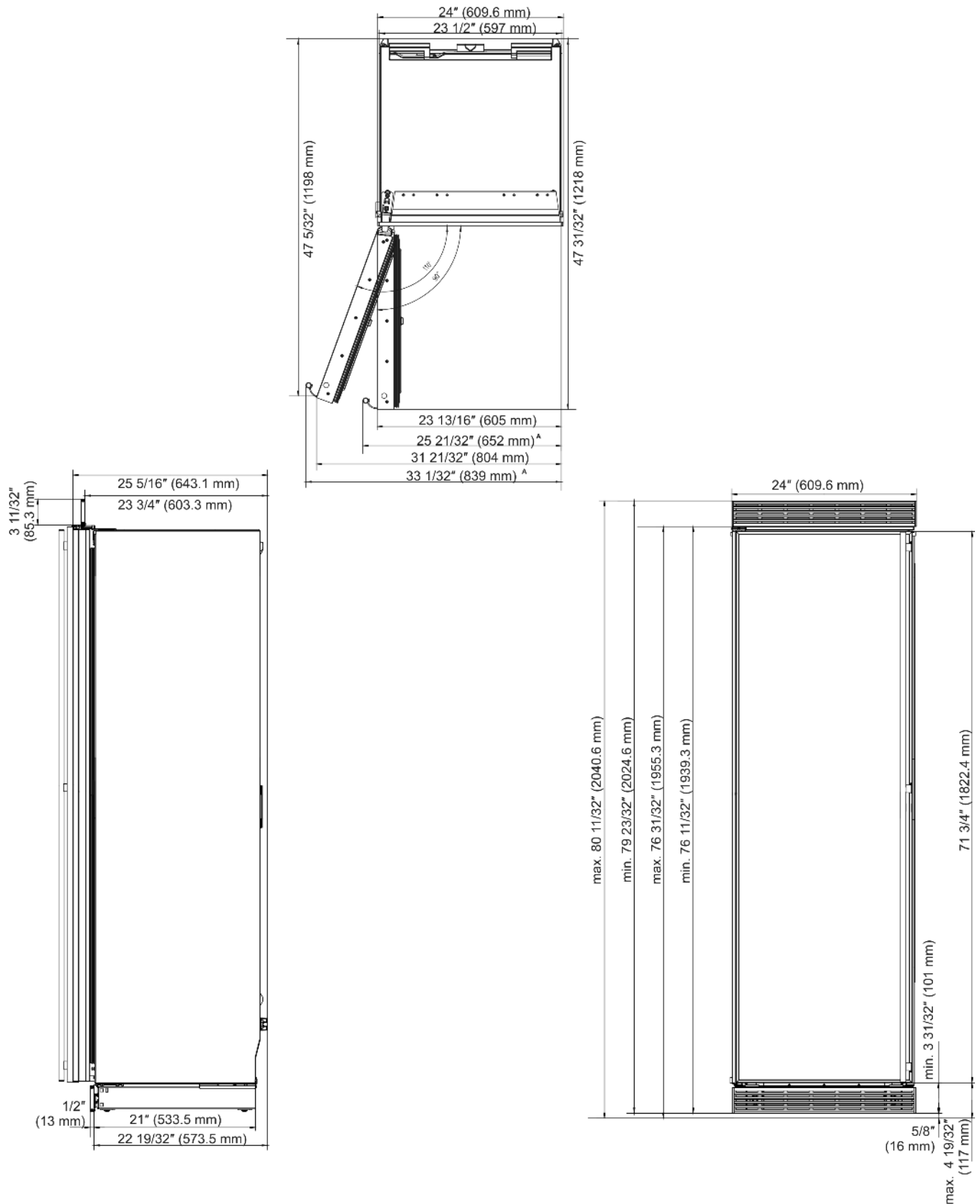


Fig. 1 Single-unit installation

Measurements that are marked with **A** depend on the handle used.

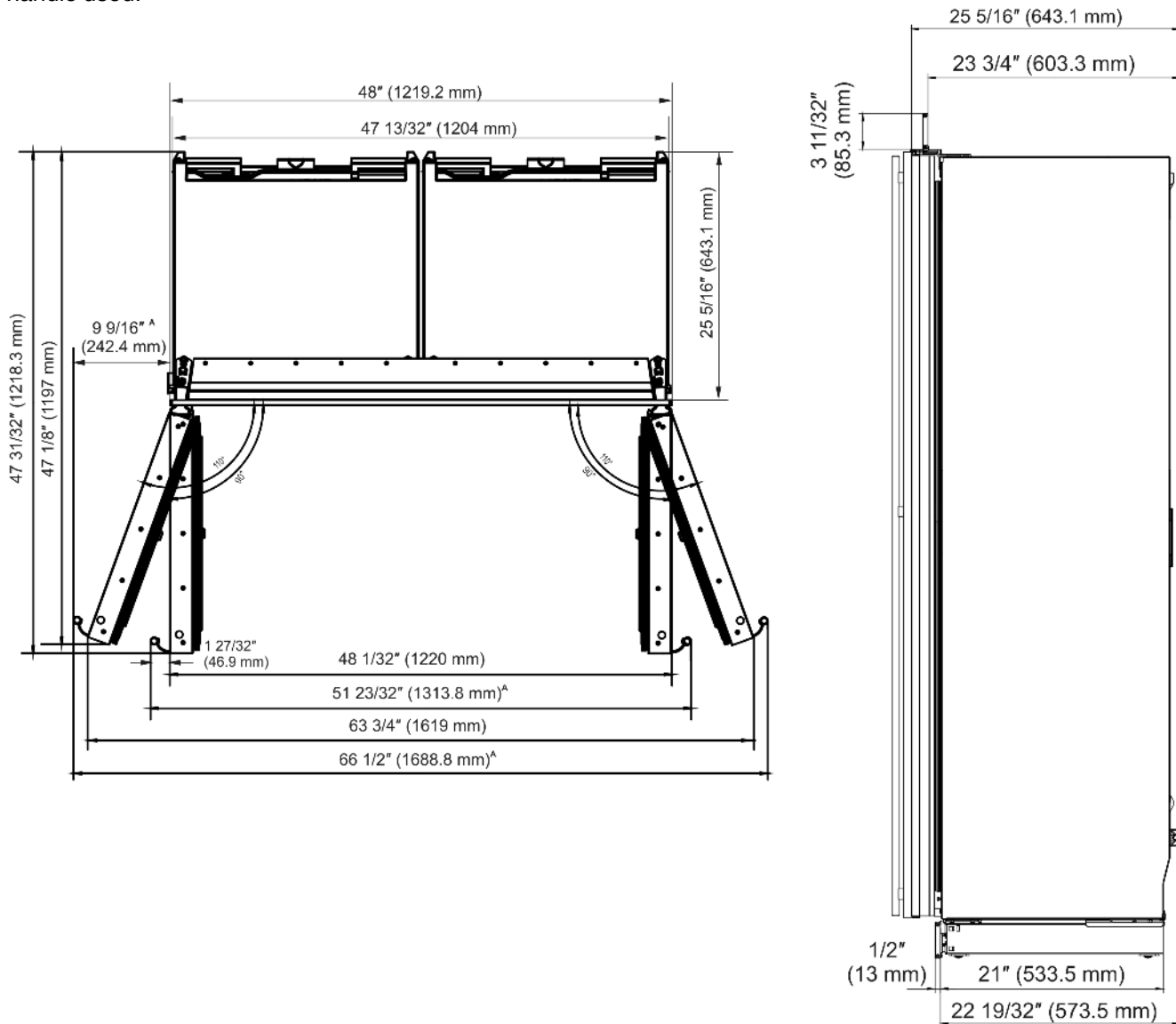


Fig. 2 Side-by-side installation: SBS2413, SBS2411, SBS2416

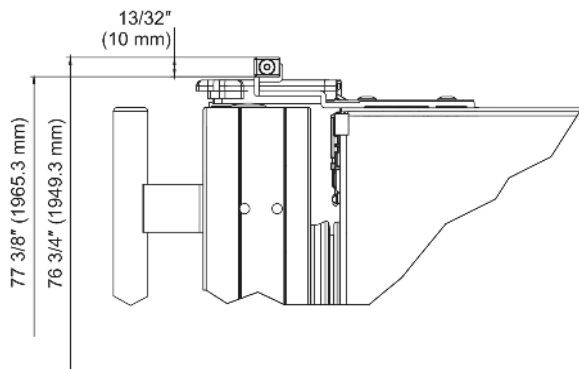


Fig. 3 Side-by-side installation: without ventilation grille

Planning information

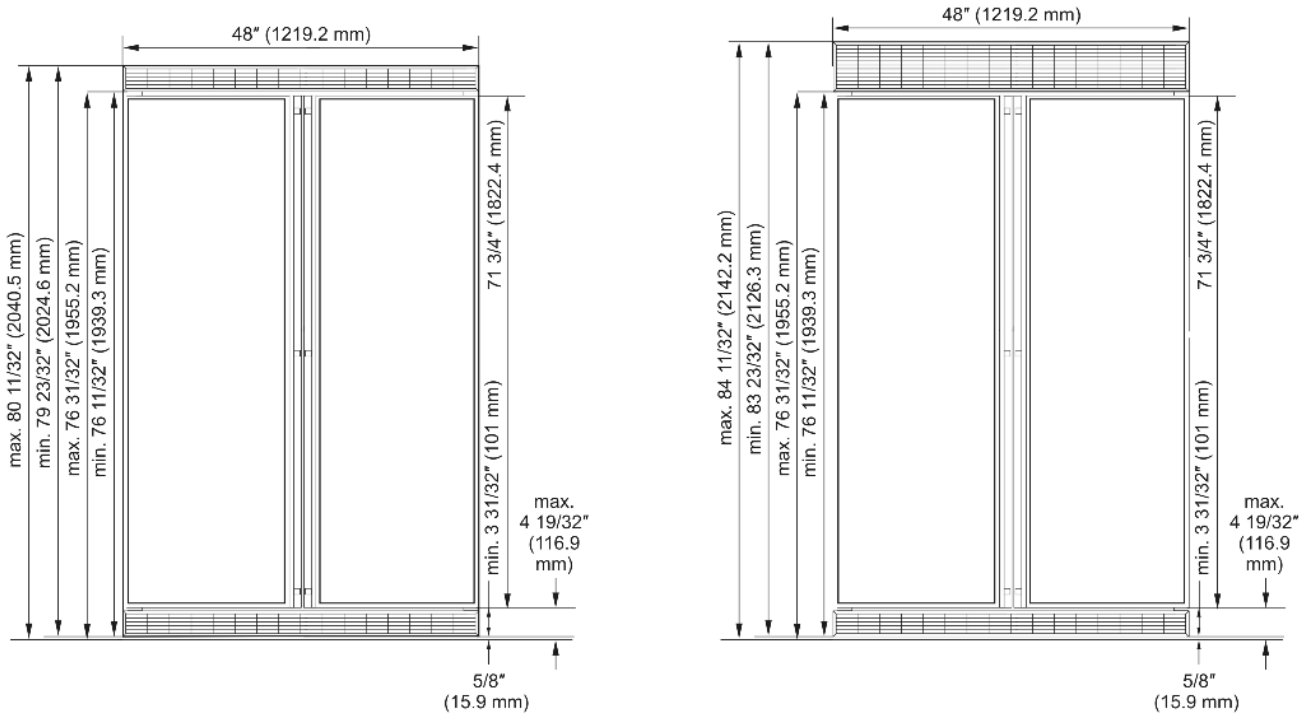


Fig. 4 Side-by-side installation: SBS2413 with 80" or 84" ventilation grille

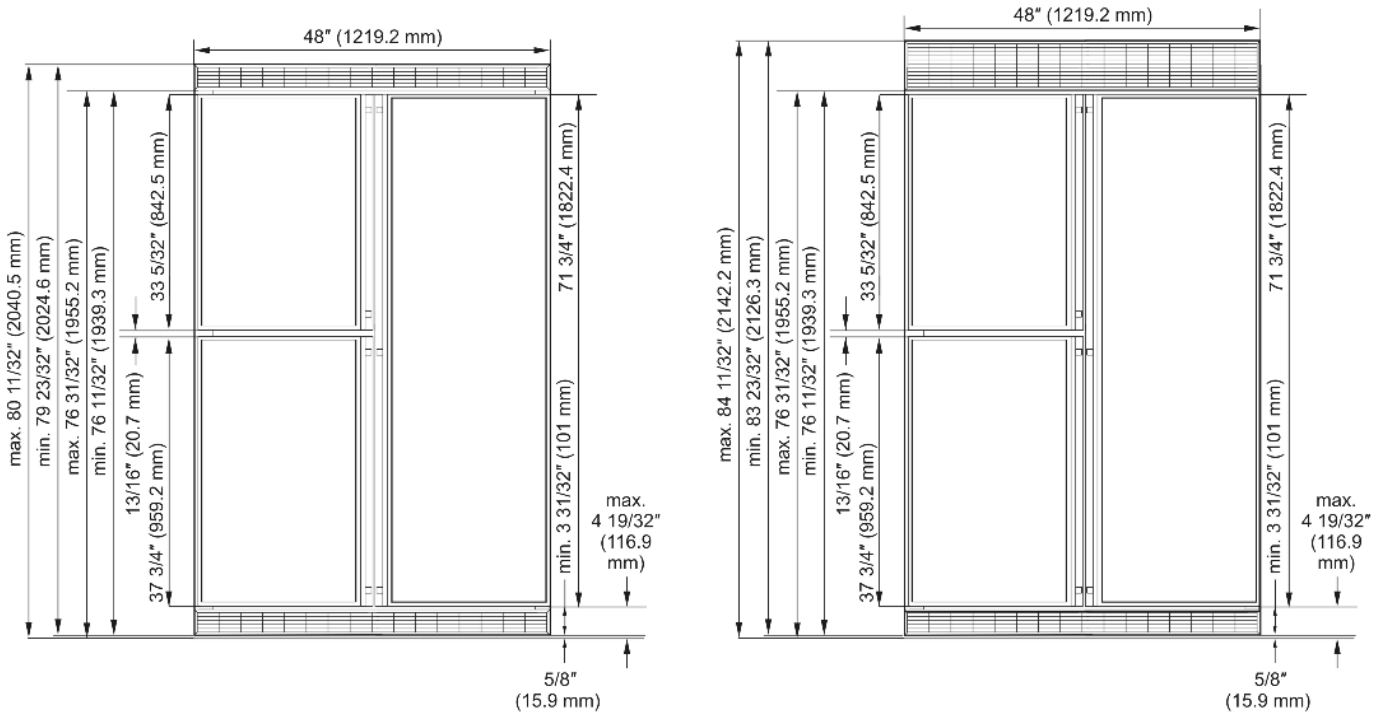


Fig. 5 Side-by-side installation: SBS2411 and SBS2416 with 80" or 84" ventilation grille

4 Cabinet Opening Dimensions

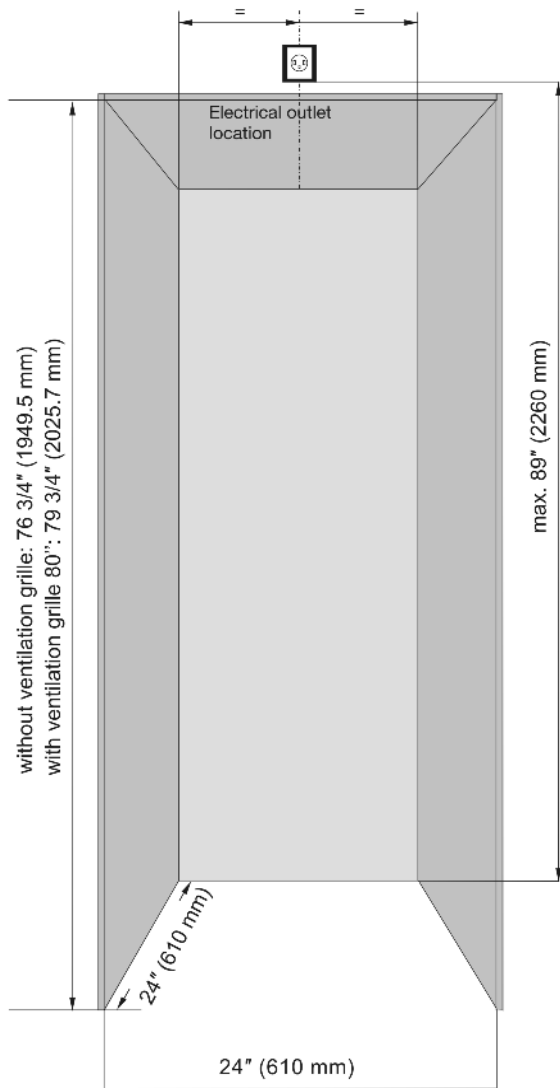


Fig. 6 Single installation

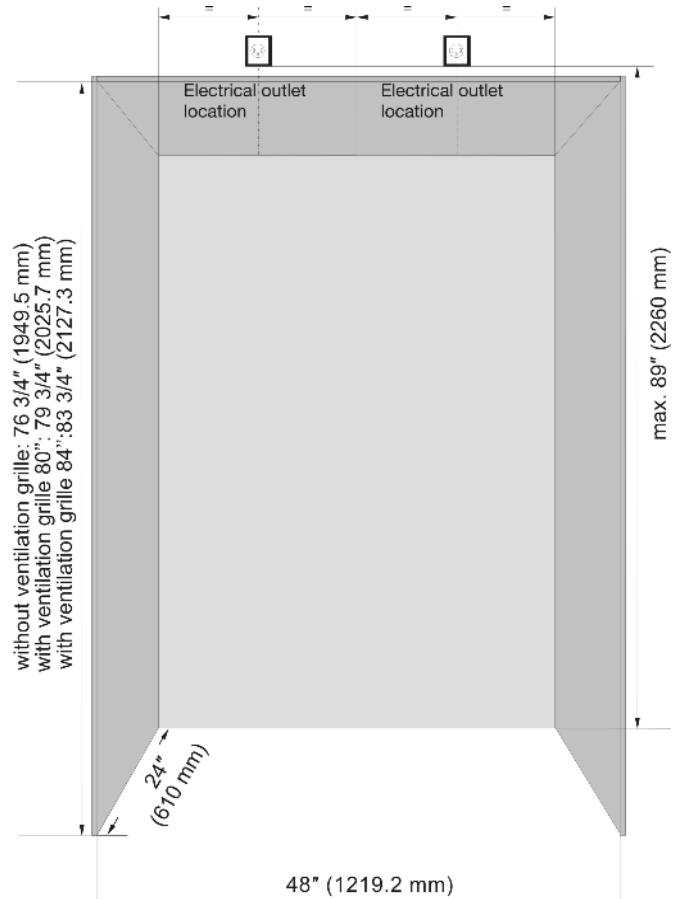


Fig. 7 Side-by-side installation:

The door must be able to be opened at least 90° to allow the drawers to be pulled out properly. If the door opening angle is 90° it may be difficult to remove the drawers due to the door racks.

If the appliance will be installed in a corner please leave a gap of at least 3-3/4 in. (95 mm) from the wall.

If thick front panels are used, the gap may have to be greater. (see chapter on décor panels)

5 Air circulation in the kitchen cabinet

This is a built-in refrigerator-freezer with custom finished door panels.

The unit is not intended for freestanding use and has to be installed inside a cabinet. This type of cabinet must be carefully constructed using the proper dimensions and it must provide proper ventilation to ensure proper appliance operation.

Door swing clearance

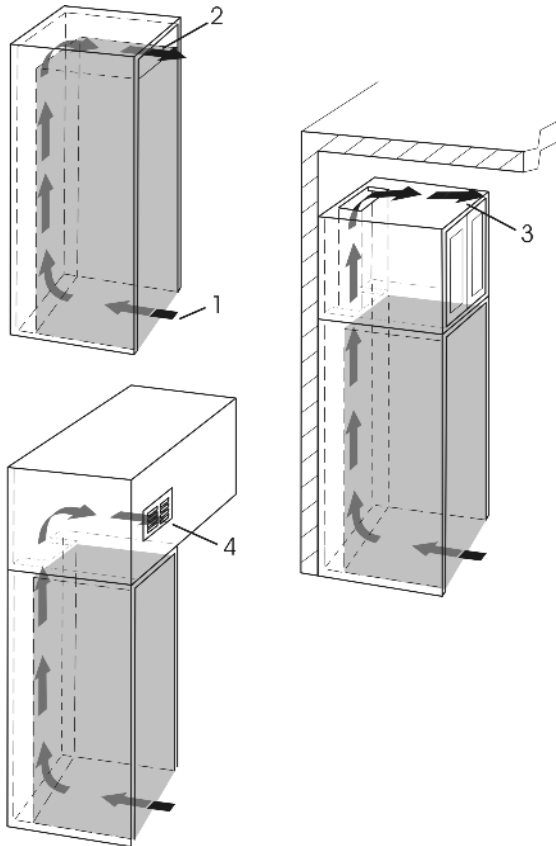


Fig. 8

- An effective ventilation cross-section of at least 31 in² (200 cm²) per unit must be present at the air intake Fig. 8 (1) and air outlet Fig. 8 (2).
- The upper ventilation cross-section can be set up directly above the appliance with an optional ventilation grille Fig. 8 (2), near the ceiling above a cabinet Fig. 8 (3) or as an air vent in an intermediate ceiling Fig. 8 (4).

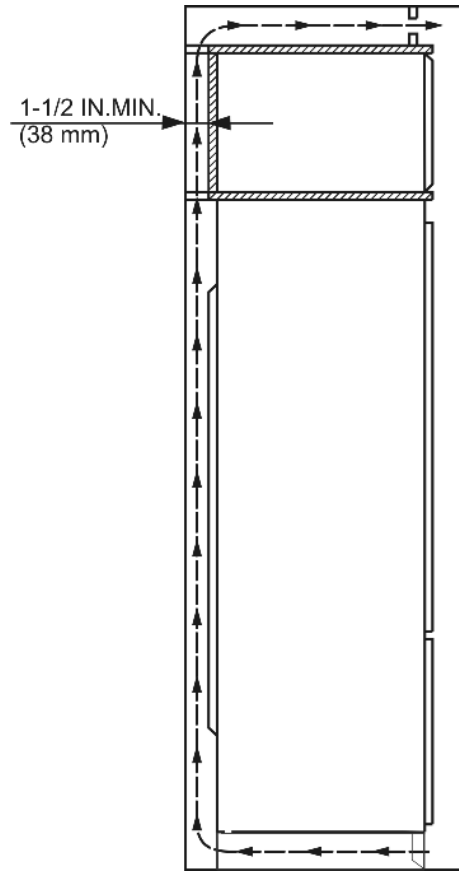


Fig. 9

- An unobstructed air way with a depth of at least 1 1/2 in. (38 mm) must be ensured at the back of the kitchen cabinet.
- The air-circulation clearances indicated above must be maintained.

6 Door swing clearance

Frameless cabinets: The casing trim overlaps the cabinets at the side and top. Cabinets may require filler strips to prevent interference with the cabinet door swing. The door opening must allow for filler strips.

The factory setting for the door to swing open is 110°. The optional setting for the door to swing open is 90°. Use the following illustrations (1:1) to ensure other cabinets or counters do not interfere with the door opening.

Door swing clearance

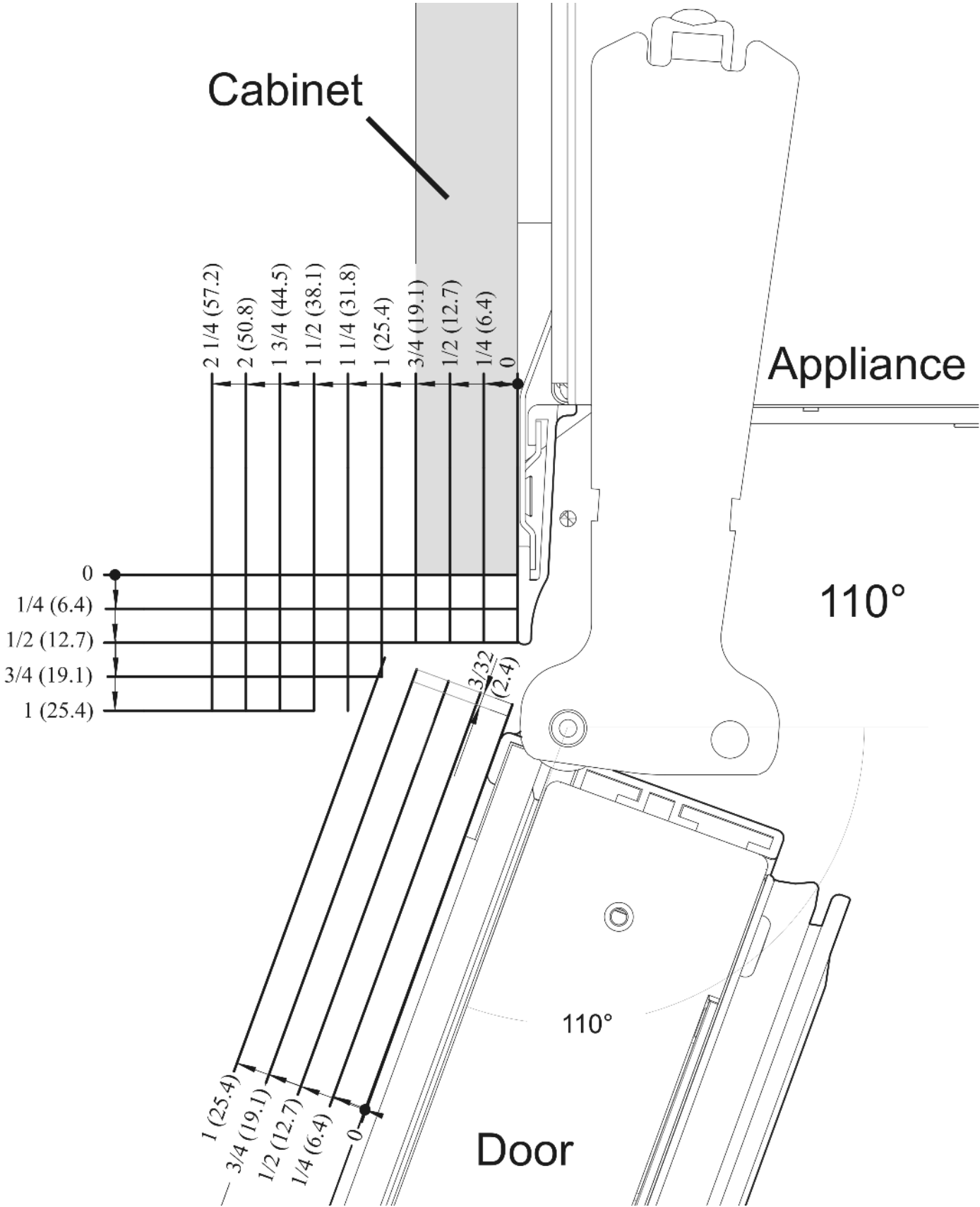


Fig. 10 110°, hinges on left

Door swing clearance

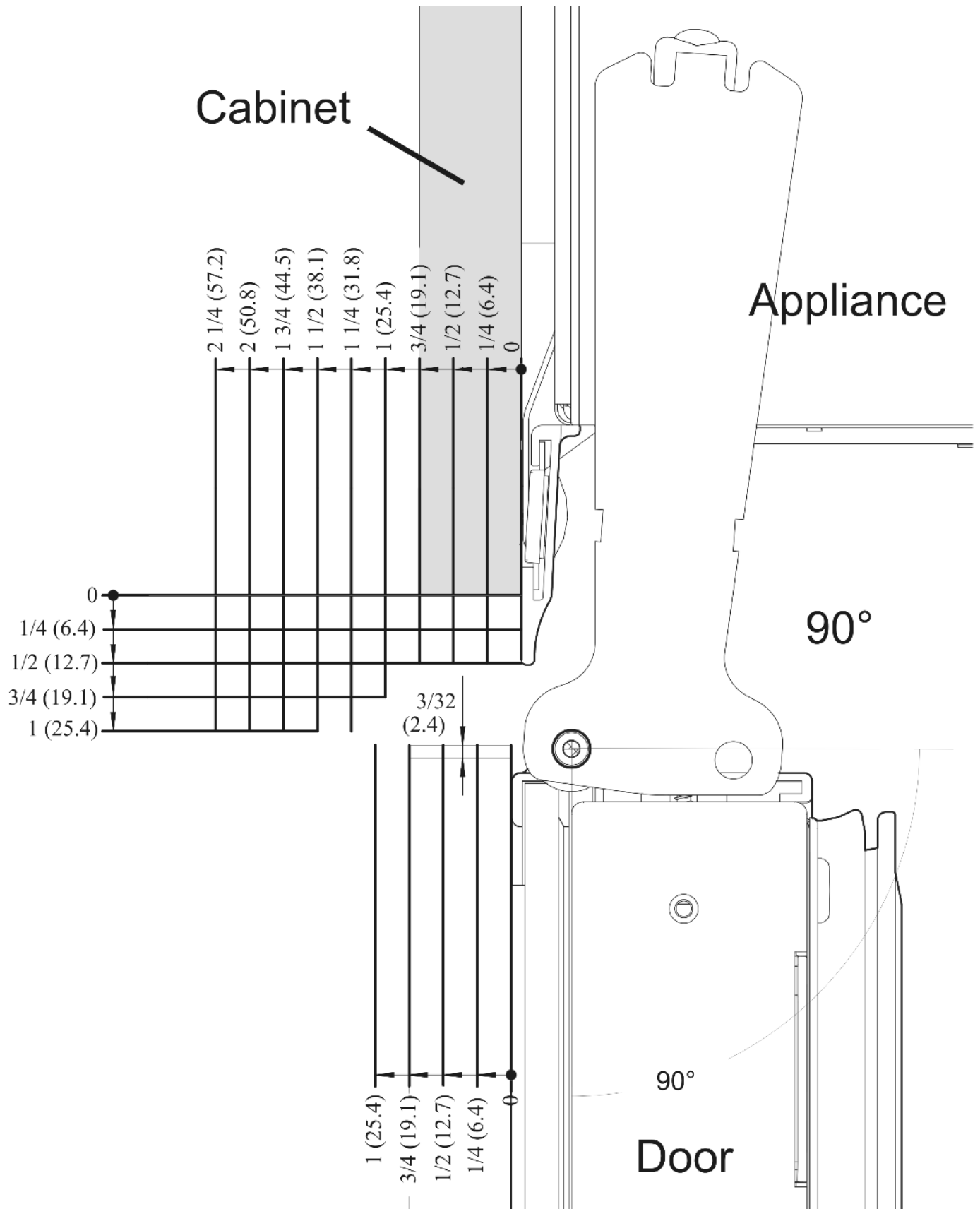


Fig. 11 90°, hinges on left

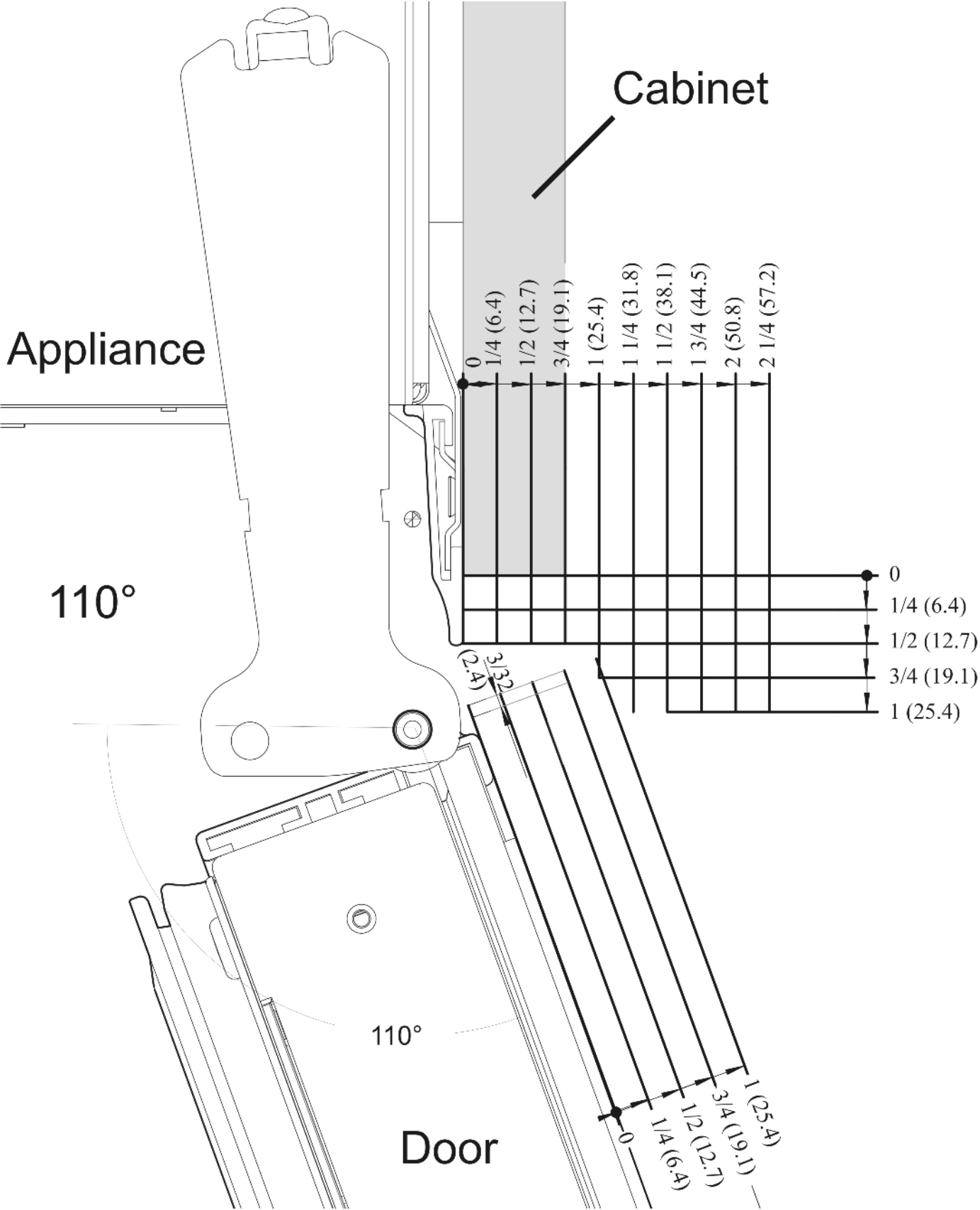


Fig. 12 110°, hinges on right

Door swing clearance

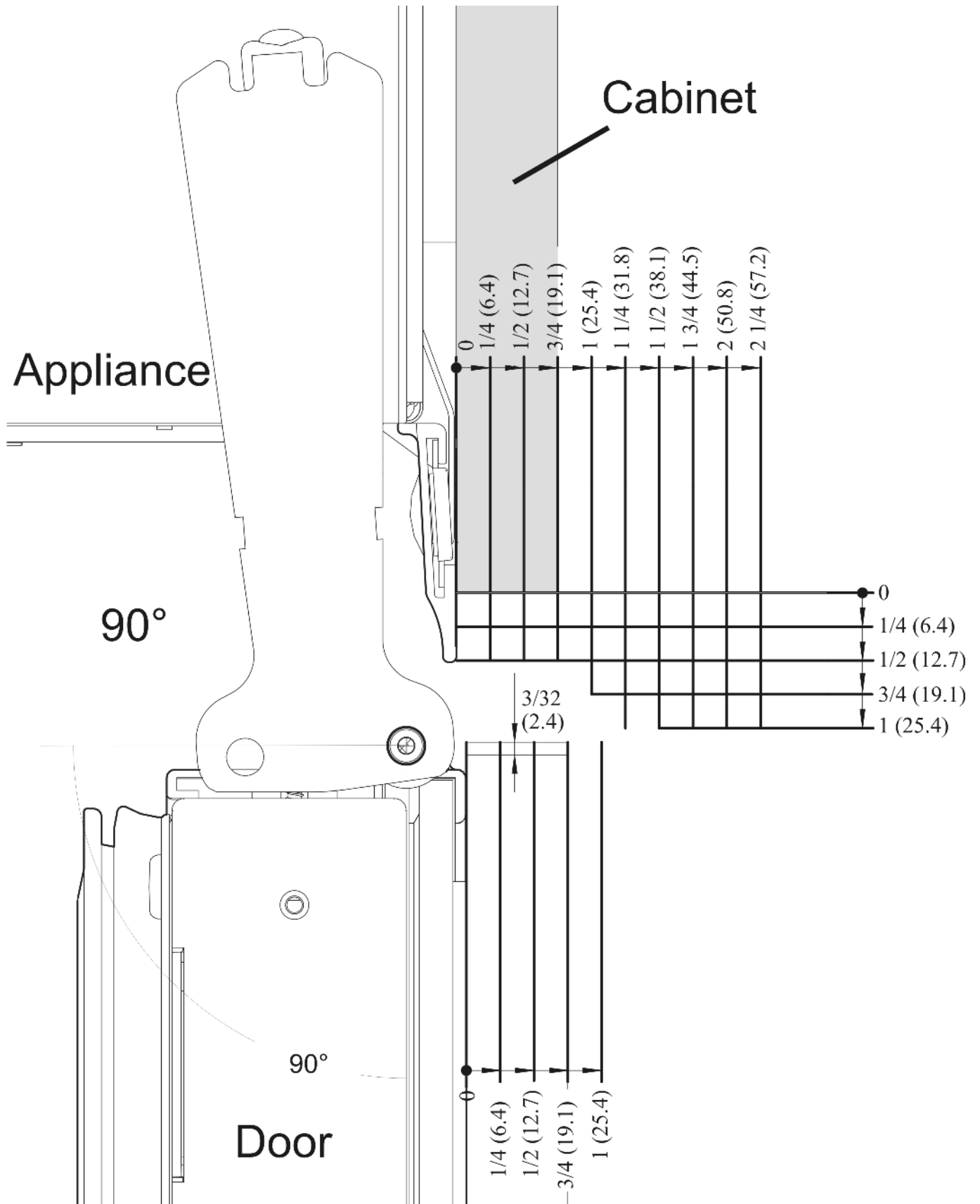


Fig. 13 90°, hinges on right

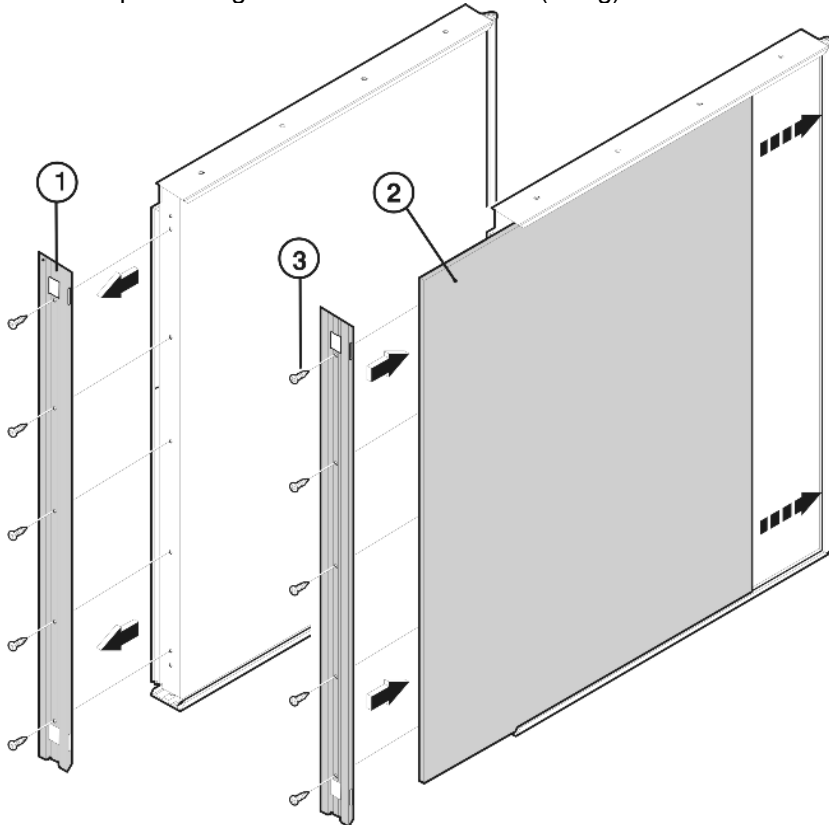
7 Fitting décor panels

NOTICE

Risk of fire and damage if insufficient ventilation!

- If you are replacing the factory air vents with an overlay, Do NOT restrict the air flow. The air flow must be the same or greater than the factory air vents of 31 in² (200 cm²).

The door panel weight must not exceed 44 lb (20 kg)



7.1 Fitting décor panels

NOTICE

Risk of damage if wrongly assembled!

- The door handles must be installed before the screw covers are installed. If you fail to install the handles before the screw covers, you can damage the covers. The screw covers are taped to the unit doors during shipping. Use care when removing covers.

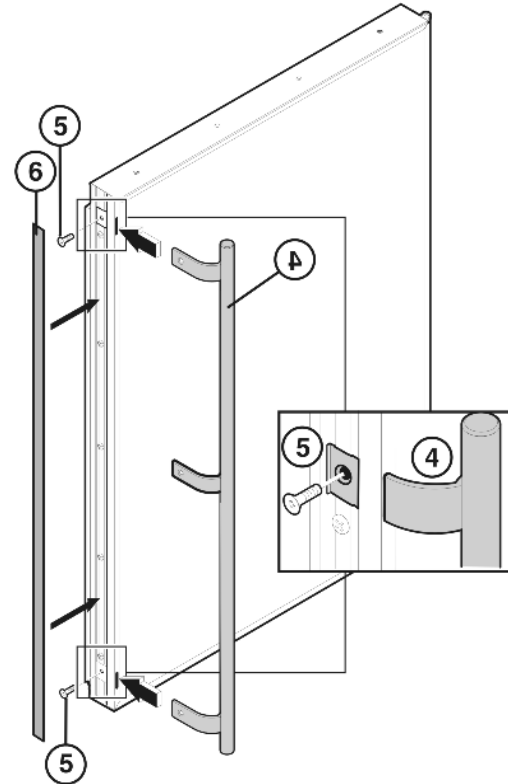


Fig. 14

- | | | |
|---------------------------|-------------------------------------|-----------------------------------|
| 1 Door frames | 3 Screws for door frames | 5 M4 x 10 screw for handle |
| 2 Decorative panel | 4 Handle, depending on model | 6 Filler strip |
- Proceed as shown in the illustration.

Fitting décor panels

7.2 Décor panel dimensions - Framed panels

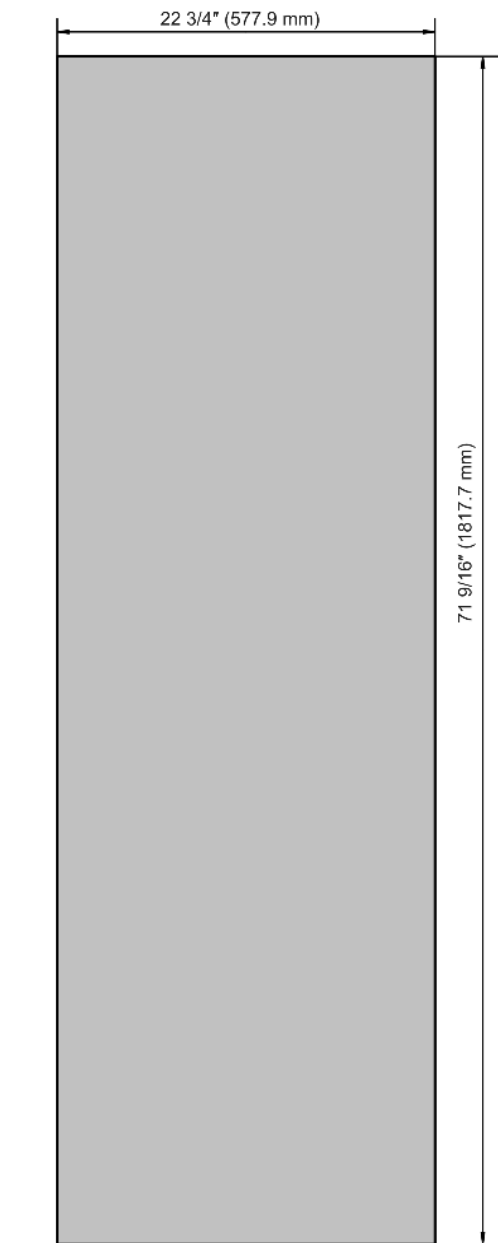


Fig. 15

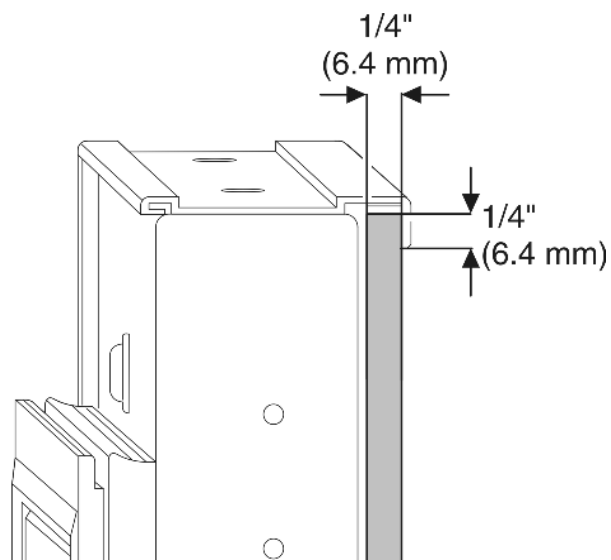


Fig. 16

If the thickness of the custom panels is less than 1/4 in. (6.4 mm):

- ▶ back the panels up with a sheet of shim material to build the total thickness to 1/4 in. (6.4 mm).

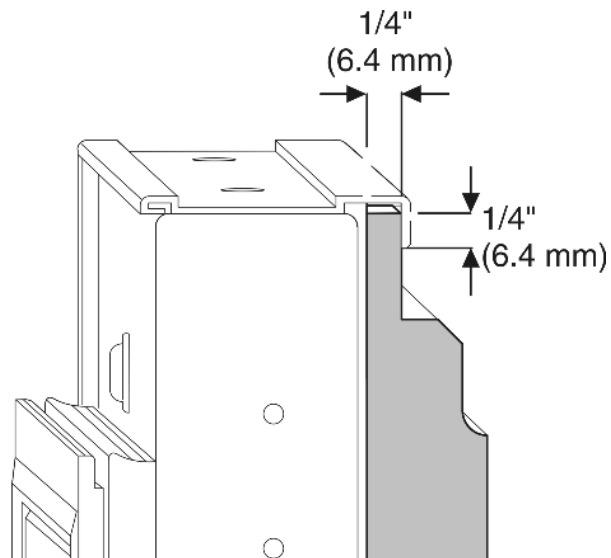


Fig. 17

If the thickness of the custom panels is thicker than 1/4 in. (6.4 mm):

- ▶ an edge must be routed around the panel to ensure a proper fit.

7.3 Décor panel dimensions - Overlay panels

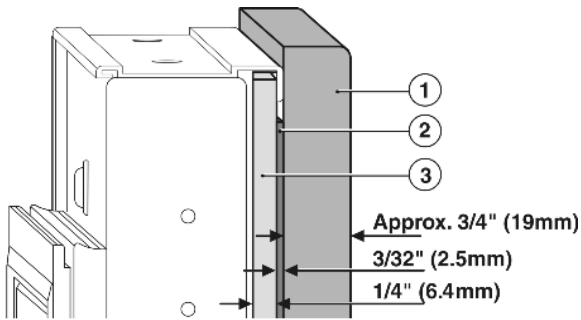


Fig. 18

- (1) Overlay Panel
- (2) Spacer Panel
- (3) Backer Panel

The overlay design line allows decorative panels to cover the door trim for a more seamless appearance that blends with the design of the room. To achieve this look, the most common way is to work with three panels, the decorative overlay panel, a 3/32 in. (2.5 mm) spacer panel and a 1/4 in. (6.4 mm) backer panel.

Depending on your cabinet manufacturer, this could be one panel routed for different dimensions or, more likely, three different panels.

7.3 Single-unit installation

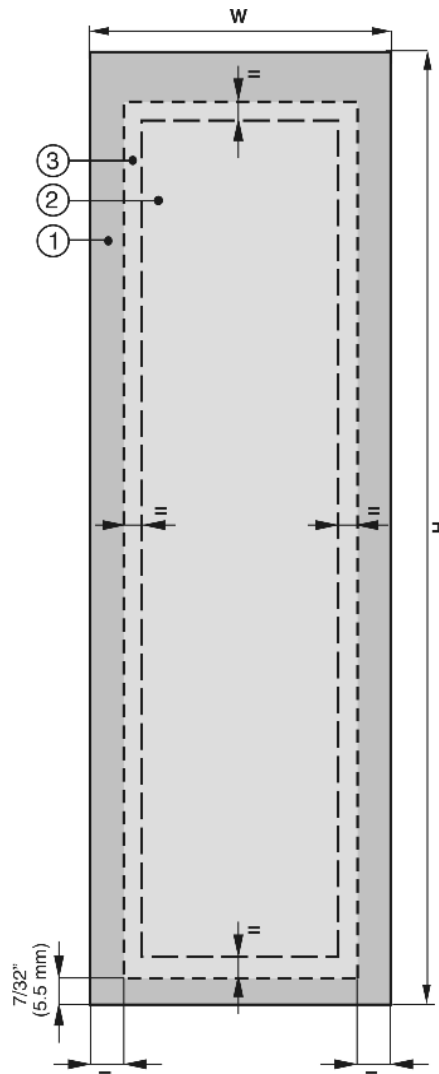


Fig. 19

- (1) Overlay panel
- (2) Spacer panel
- (3) Backer panel

	Width - W	Height - H	Thickness of panel
Overlay panel (1)	23 5/16" (592.1 mm)	72 1/4" (1835.2 mm)	3/4" (19 mm)
Spacer panel (2)	21 1/4" (539.8 mm)	70 1/16" (1779.6 mm)	3/32" (2.5 mm)
Backer panel (3)	22 3/4" (577.9 mm)	71 9/16" (1817.7 mm)	1/4" (6.4 mm)

Fitting décor panels

7.3 Side-by-side installation

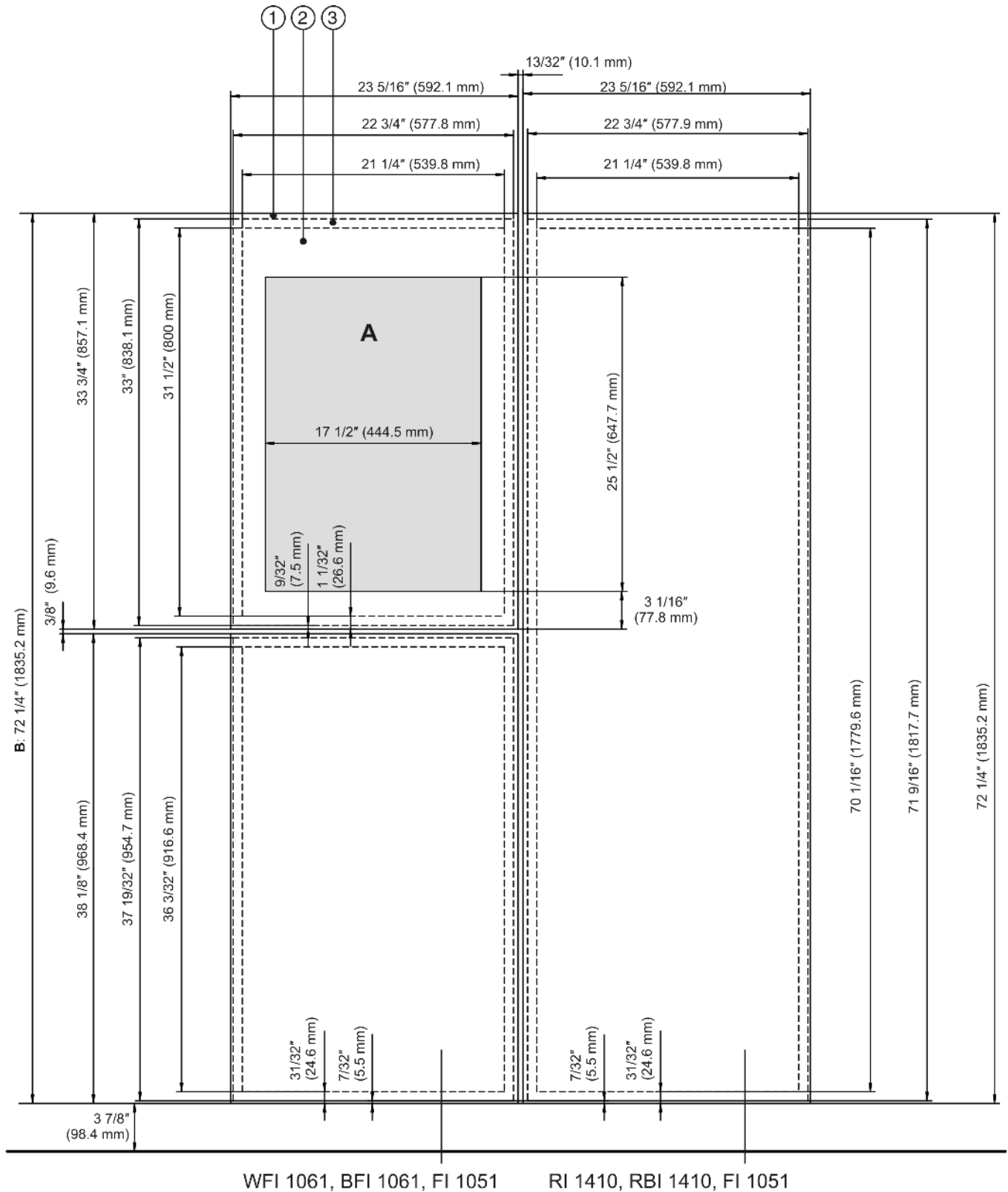


Fig. 20 Front view

1 Overlay panel
2 Spacer panel

3 Backer panel
A Cut-out only for WFI 1061

B only for FI 1051

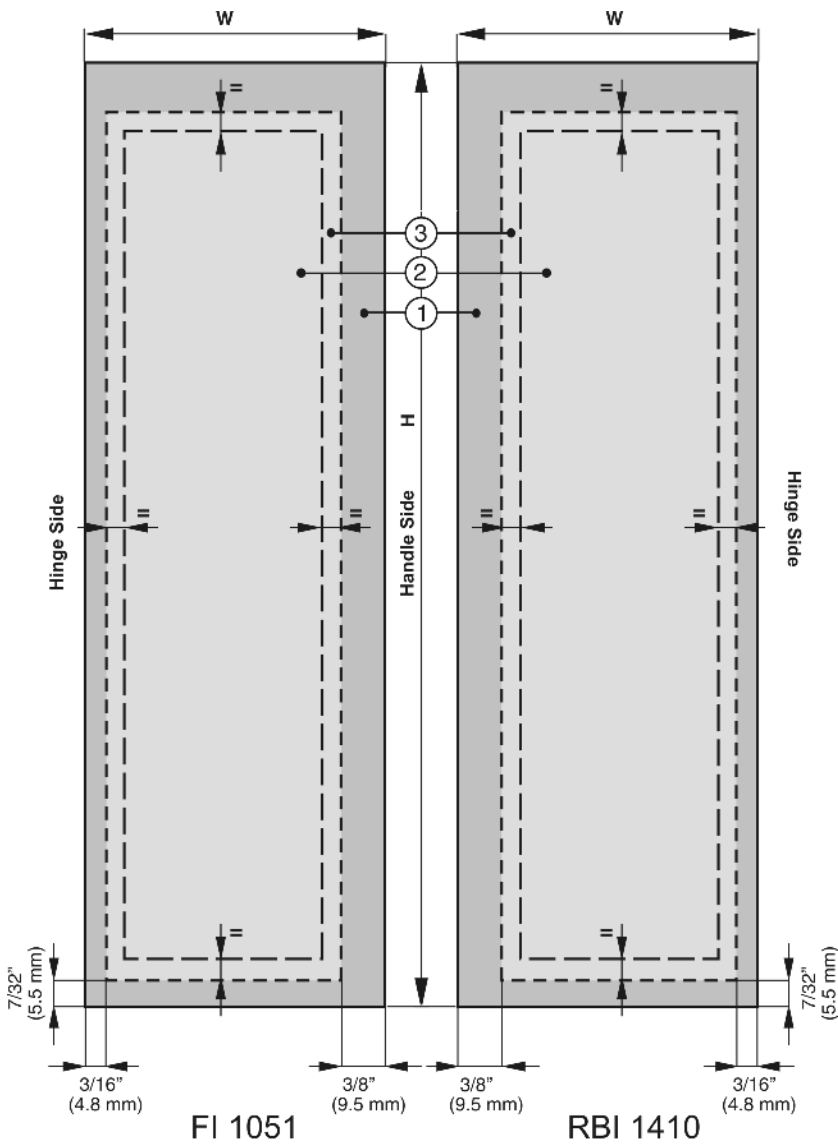


Fig. 21

- 1 Overlay panel 2 Spacer panel 3 Backer panel

FI 1051, RBI 1410, RI 1410	Width - W	Height - H	Thickness of panel
Overlay panel (1)	23 5/16" (592.1 mm)	72 1/4" (1835.2 mm)	3/4" (19 mm)
Spacer panel (2)	21 1/4" (539.8 mm)	70 1/16" (1779.6 mm)	3/32" (2.5 mm)
Backer panel (3)	22 3/4" (577.9 mm)	71 9/16" (1817.7 mm)	1/4" (6.4 mm)

Fitting décor panels

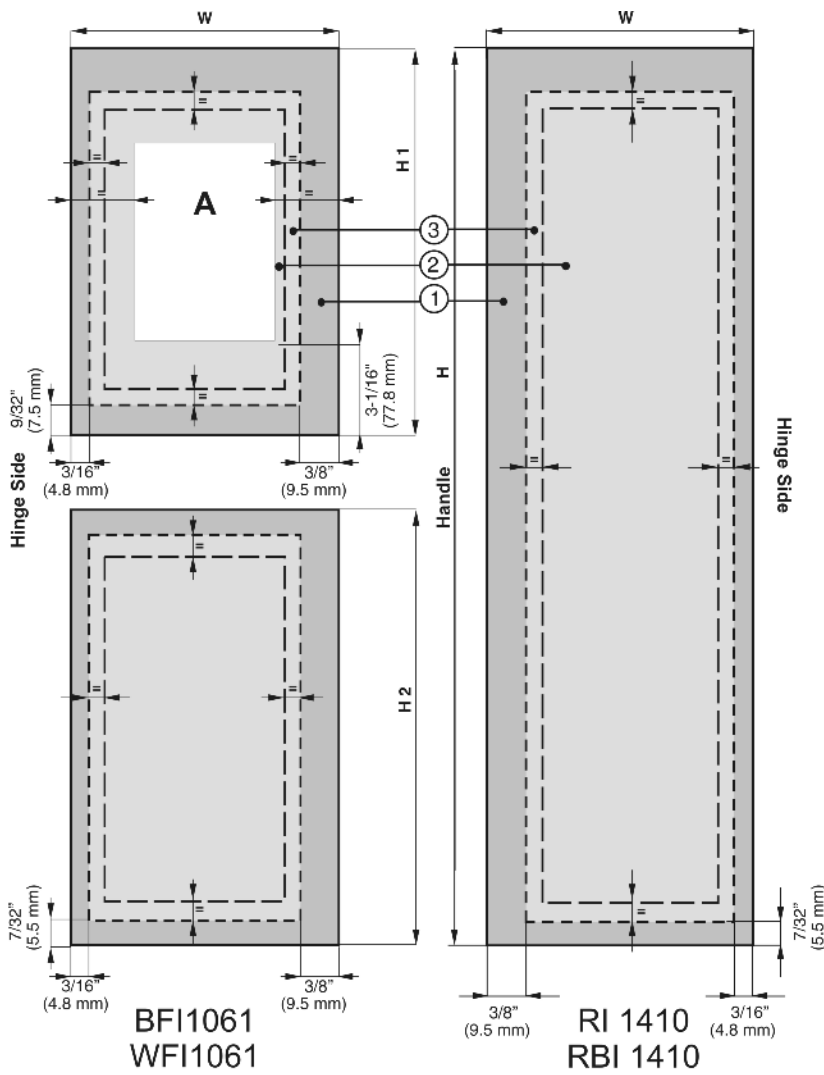


Fig. 22

- 1 Overlay panel
- 2 Spacer panel
- 3 Backer panel
- A Cut-out only for WFI 1061

BFI 1061, WFI 1061	Width - W	H1 - Wine area	H2 - Freezer section	Thickness of panel
Overlay panel (1)	23 5/16" (592.1 mm)	33 3/4" (857.1 mm)	38 1/8" (968.4 mm)	3/4" (19 mm)
Spacer panel (2)	21 1/4" (539.8 mm)	31 1/2" (800 mm)	36 3/32" (916.6 mm)	3/32" (2.5 mm)
Backer panel (3)	22 3/4" (577.9 mm)	33" (838.1 mm)	37 19/32" (954.7 mm)	1/4" (6.4 mm)
Cut-out for glass window	max. 17 1/2" (444.5 mm)	max. 25 1/2" (647.7 mm)		

FI 1051, RI 1410, RBI 1410	Width - W	Height - H	Thickness of panel
Overlay panel (1)	23 5/16" (592.1 mm)	72 1/4" (1835.2 mm)	3/4" (19 mm)
Spacer panel (2)	21 1/4" (539.8 mm)	70 1/16" (1779.6 mm)	3/32" (2.5 mm)
Backer panel (3)	22 3/4" (577.9 mm)	71 9/16" (1817.7 mm)	1/4" (6.4 mm)

7.3 Cut-out for glass window (WFI 1061)

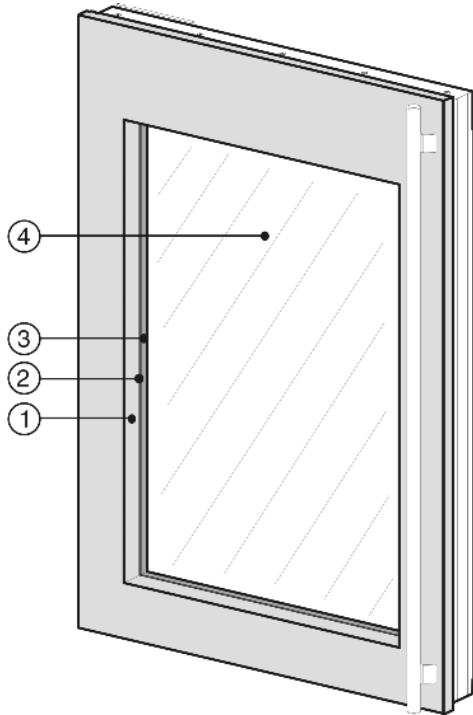


Fig. 23

- (1) Overlay panel
- (2) Spacer panel
- (3) Backer panel
- (4) Glassed area

The edges of the panels Fig. 23 (1,2,3) are visible at the transition to the glass window Fig. 23 (4). It can be covered with a decorative molding Fig. 24 (A) for esthetic reasons.

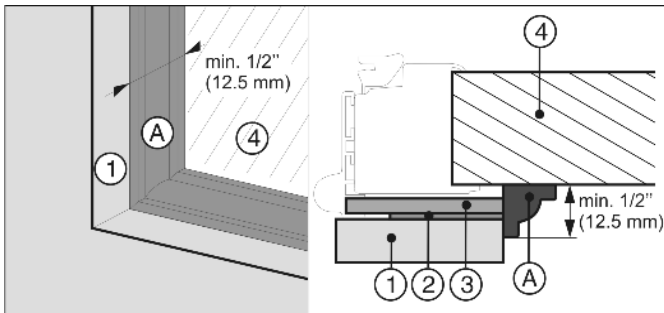


Fig. 24

8 Changing the door hinges

You can reverse the door hinges, if necessary:
Make sure you have the following tools on hand:

- Torx 25
- Torx 15
- Screwdriver
- Cordless screwdriver, if necessary
- Another person to help with the installation, if necessary

8.1 Remove soft stop mechanism (top)

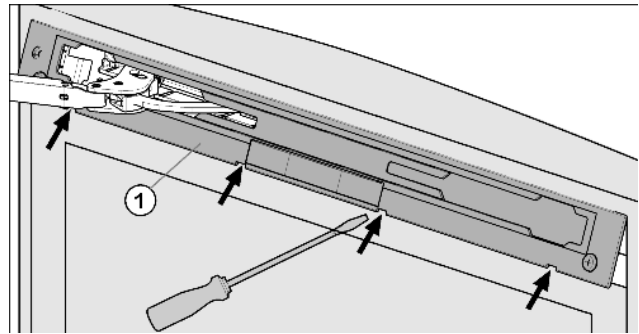


Fig. 25

- ▶ Open the door.

NOTICE

Risk of damage!

If the door seal is damaged the door may not close properly and the level of cooling is insufficient.

- ▶ Do not damage the door seal with the screwdriver!

- ▶ Release panel Fig. 25 (1) using slotted screwdriver and remove.

- ▷ The panel hangs above the damper bracket.

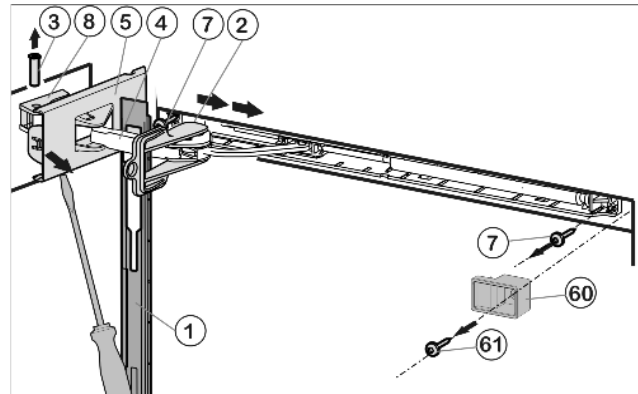


Fig. 26


- ▶ Push panel forward over the damper bracket Fig. 26 (4) in the direction of the appliance.



WARNING

Risk of injury if the soft stop mechanism contracts!

If the locking device is not fitted, the soft stop mechanism contracts during disassembly and can jam your fingers.

- ▶ Fit the locking device! 

- ▶ Engage locking device Fig. 26 (2) into place inside oblong hole.

- ▷ The locking device prevents the hinge from snapping shut.

- ▶ Unscrew cover that is on the hinge side Fig. 26 (5) until the first notch using a screwdriver.

- ▷ The bolt will become visible.

- ▶ Push bolt Fig. 26 (3) out from below.

- ▶ Press damper bracket Fig. 26 (4) in the direction of the door.

Changing the door hinges

- ▶ Completely loosen cover that is on the hinge side *Fig. 26 (5)* and remove.
- ▶ Remove panel *Fig. 26 (1)*.
- ▶ Loosen cover that is on the hinge side *Fig. 27 (6)* using a screwdriver and remove by pulling outwards.

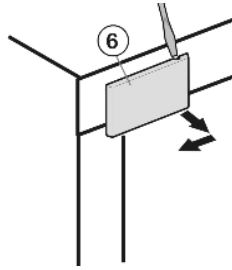


Fig. 27

- ▶ Unscrew spacer *Fig. 26 (60)*.
- ▶ Unscrew soft stop unit (2 x Torx 15) *Fig. 26 (7)*.
- ▶ Slightly pull out soft stop unit, push it towards the handle side and open it out.
- ▶ Set soft stop unit to the side.
- ▶ Unscrew bearing part *Fig. 28 (8)*, turn it 180° and move it to the opposite side. Make preliminary holes (optional) or use a cordless screwdriver.

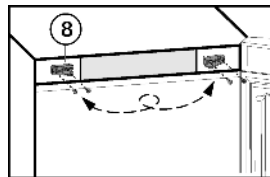


Fig. 28

8.2 Remove soft stop unit (bottom)

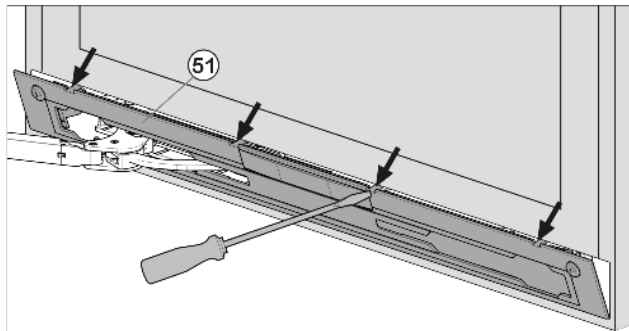


Fig. 29

- ▶ Open the door.

NOTICE

Risk of damage!

If the door seal is damaged the door may not close properly and the level of cooling is insufficient.

- ▶ Do not damage the door seal with the screwdriver!

- ▶ Release panel *Fig. 29 (1)* using slotted screwdriver and remove.
- ▷ The panel hangs above the damper bracket.

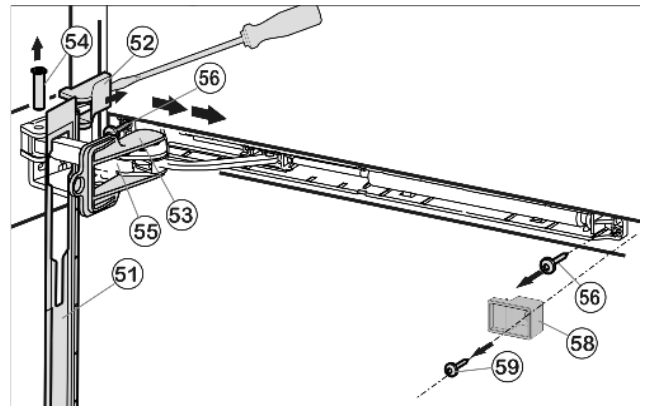


Fig. 30


- ▶ Push panel forward over the damper bracket *Fig. 30 (55)* in the direction of the appliance.



WARNING

Risk of injury if the soft stop mechanism contracts!

If the locking device is not fitted, the soft stop mechanism contracts during disassembly and can jam your fingers.

- ▶ Fit the locking device! 

- ▶ Engage locking device *Fig. 30 (53)* into place inside oblong hole.
- ▷ The locking device prevents the hinge from snapping shut.
- ▶ Lift off cover *Fig. 30 (52)* from the outside using a screwdriver and remove by pulling outwards.
- ▶ Push bolt *Fig. 30 (54)* out from below.
- ▶ Press damper bracket *Fig. 30 (55)* in the direction of the door.
- ▶ Remove panel *Fig. 30 (51)*.
- ▶ Unscrew spacer *Fig. 30 (58)*.
- ▶ Unscrew entire soft stop unit (2 x Torx 15) *Fig. 30 (56)*.
- ▶ Slightly pull out soft stop unit, push it towards the handle side and open it out.
- ▶ Set soft stop unit to the side.

8.3 Remove door

Note*

- ▶ To prevent food items from falling out, take all food out of the door racks before removing the door.

Changing the door hinges

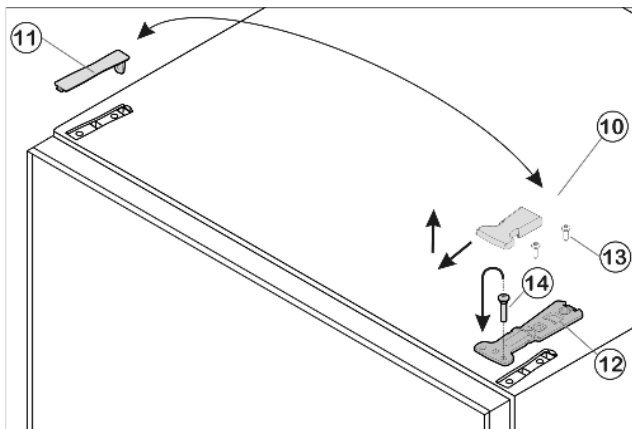


Fig. 31

- ▶ Close the door.
- ▶ Pull cover Fig. 31 (10) forward and then upwards to remove.
- ▶ Lift off cover Fig. 31 (11).



CAUTION

- Risk of injury if the door tips out!
- ▶ Keep a steady grip on the door.
 - ▶ Set the door down carefully.

- ▶ Unscrew upper bearing bracket Fig. 31 (12) (2 x Torx 25) Fig. 31 (13) and pull it upwards to remove.
- ▶ Lift the door upwards to remove and set it to the side.

8.4 Swapping bearing parts

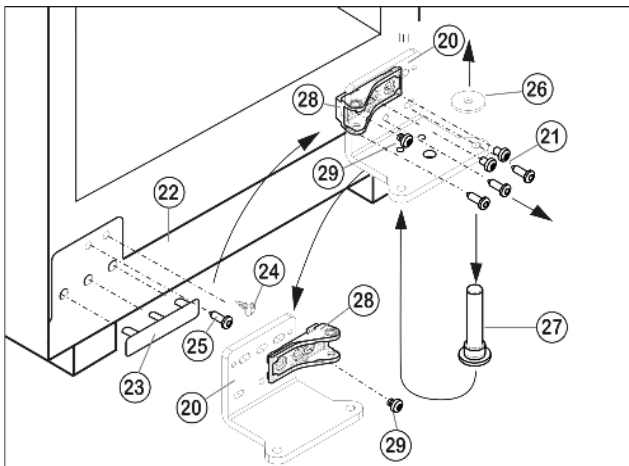


Fig. 32

- ▶ Unscrew bearing bracket Fig. 32 (20) together with bearing pin Fig. 32 (27) (3 x Torx 25) Fig. 32 (21). When doing so, hold panel Fig. 32 (22) steady so that it does not drop.
- ▶ Carefully lift off the cover on the handle side Fig. 32 (23) and the plug Fig. 32 (24) and move them to the opposite side.
- ▶ Unscrew screw Fig. 32 (25) and move it to the opposite side. When doing so, hold panel steady so that it does not drop.

- ▶ Unscrew bearing part Fig. 32 (28), turn it 180° and tighten Fig. 32 (29).
- ▶ Remove bearing disc Fig. 32 (26) from bearing pin Fig. 32 (27).
- ▶ Unscrew bearing pin Fig. 32 (27), move to other side and place bearing disc Fig. 32 (26) on.
- ▶ Using a cordless screwdriver if necessary, attach the bearing bracket Fig. 32 (20) to the new hinge side. First fit the lower center screw, then the other screws.

8.5 Swapping the clip-on frame

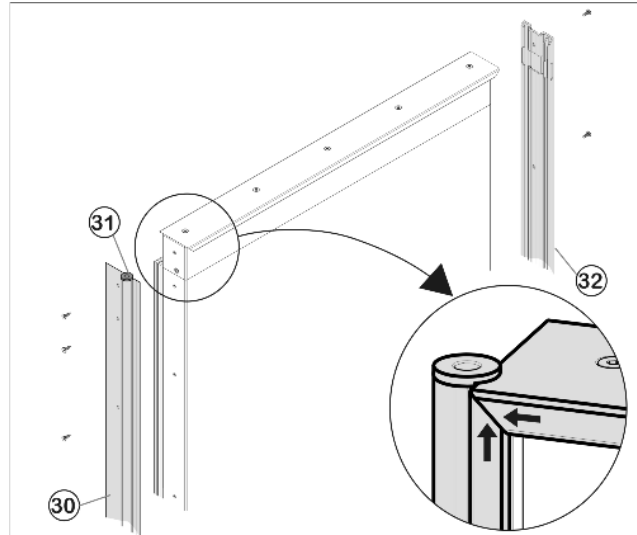


Fig. 33

- ▶ Unscrew the part of the frame that is on the hinge side Fig. 33 (30). Ensure that the top and bottom bushes Fig. 33 (31) do not fall out.
- ▶ Unscrew the part of the frame that is on the handle side Fig. 33 (32) and screw it onto the opposite side. Do not overtighten the screws!

When assembling the frame parts ensure that the corners fit together as snugly as possible.

If a framed panel (see 7) is used:

- ▶ Unscrew the part of the frame that is on the hinge side Fig. 33 (30) and screw it to the opposite side. Do not overtighten the screws!

8.6 Fitting the door

- ▶ Move bearing pin Fig. 31 (14) in upper bearing bracket to other side Fig. 31 (12).
- ▶ Ensure that the bearing disc Fig. 32 (26) is on the bearing pin below Fig. 32 (27).
- ▶ Position the door from above onto the bearing pins below Fig. 32 (27).
- ▶ Close the door.
- ▶ Insert the upper bearing bracket Fig. 31 (12) on the new hinge side into the door.
- ▶ Secure upper bearing bracket Fig. 31 (12) (2 x Torx 25) Fig. 31 (13). Make preliminary holes (optional) or use a cordless screwdriver.
- ▶ Snap both cover Fig. 31 (10) and cover Fig. 31 (11) into place on the opposite side.

Changing the door hinges

8.7 Fitting the soft stop mechanism (bottom)

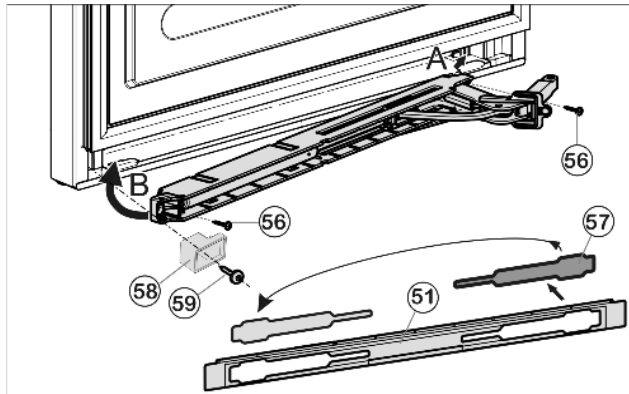


Fig. 34

- ▶ Loosen cover Fig. 34 (57) from the panel Fig. 34 (51) and insert on the other side.
- ▶ With the hinge of the soft stop unit facing the door hinge side, engage the soft stop unit (A) and swivel inwards (B).
- ▷ The holes on the left and right must lie exactly above each other.
- ▶ Tighten soft stop unit (2 x Torx 15) Fig. 34 (56).
- ▶ Screw on spacer Fig. 34 (58) .

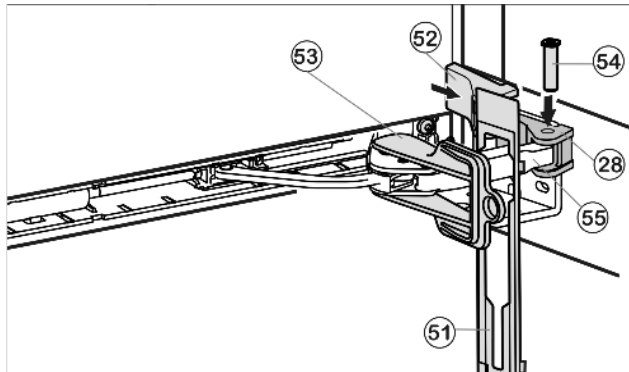


Fig. 35

- ▶ Hook panel Fig. 35 (51) into the damper bracket such that the detent hooks are pointing forward and the front side is facing the appliance.
- ▶ Pull damper bracket Fig. 35 (55) towards bearing part Fig. 35 (28) and insert bolt Fig. 35 (54) from above such that the square is resting in the recess.
- ▶ Place cover Fig. 35 (52) on top and snap into place.
- ▷ Check that the cover is positioned correctly such that the door can close properly and the bolt is secured.
- ▶ Remove locking device Fig. 35 (53) by twisting it.
- ▶ Snap panel Fig. 35 (51) into place on the door.
- ▶ Close the door.

8.8 Fitting soft stop mechanism (top)

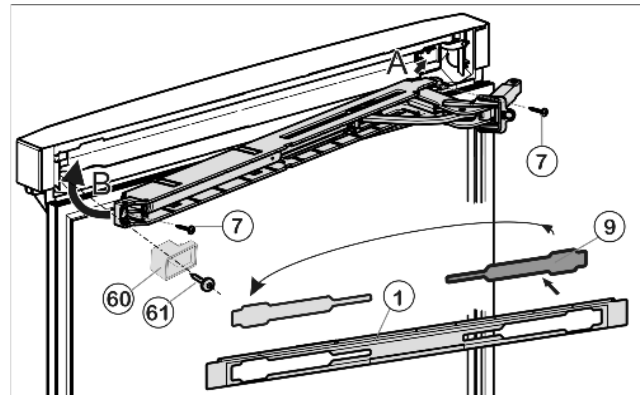


Fig. 36

- ▶ Loosen cover Fig. 36 (9) from the panel Fig. 36 (1) and insert on the other side.
- ▶ With the hinge of the upper soft stop unit facing the door hinge side, engage the soft stop unit (A) and swivel inwards (B).
- ▷ The holes on the left and right must lie exactly above each other.
- ▶ Tighten soft stop unit (2 x Torx 15) Fig. 36 (7).
- ▶ Screw on spacer Fig. 36 (60) .

Note

- ▶ Follow the correct sequence. First hang the panel over the damper bracket, then the cover.

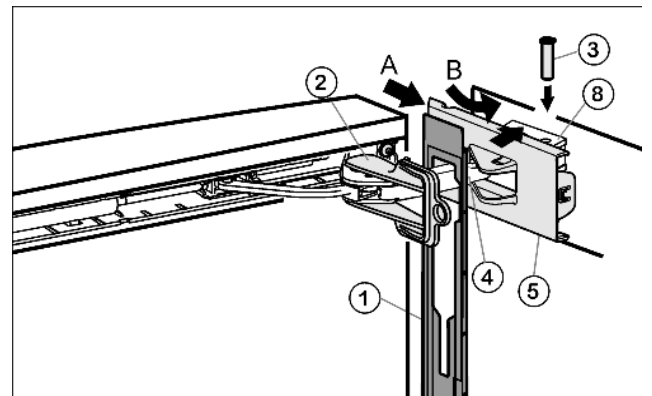


Fig. 37

- ▶ Hook panel Fig. 37 (1) into the damper bracket Fig. 37 (4) such that the detent hooks are pointing inwards and the front side is facing the appliance.
- ▶ Push on cover Fig. 37 (5) from the outside (A) and pivot over the bearing part Fig. 37 (8) (B).
- ▶ Place cover Fig. 37 (5) on top and allow to snap into place until the first notch.
- ▷ The openings for the bolts lie above each other after positioning the damper bracket.
- ▶ Pull damper bracket Fig. 37 (4) towards bearing part and insert bolt Fig. 37 (3) from above such that the square is resting in the recess.
- ▶ Now snap cover Fig. 37 (5) completely into place on the bearing part Fig. 37 (8).
- ▷ Check that the cover is positioned correctly such that the door can close properly and the bolt is secured.

Adjusting the door opening angle

- ▶ Remove locking device *Fig. 37 (2)* by twisting it.
- ▶ Snap panel *Fig. 37 (1)* into place on the door.
- ▶ Turn cover *Fig. 27 (6)* 180° from the handle side, place it on top from the outside and snap into place.

8.9 Aligning the door

- ▶ Unscrew center screw on lower part of bearing bracket *Fig. 32 (20)*.
- ▶ Align the doors flush with the appliance housing using the two oblong holes in the lower bearing bracket *Fig. 32 (20)* as a guide if needed.
- ▶ Tighten the screws fully.

9 Adjusting the door opening angle

The appliance is delivered with a door opening angle of 110°. If the angle needs to be limited to 90° an opening limiter must be used on the soft stop mechanism. Carry out the following steps for all soft stop mechanisms on the appliance (the top soft stop mechanism is illustrated):

Removing the soft stop unit

- ▶ Open the door.

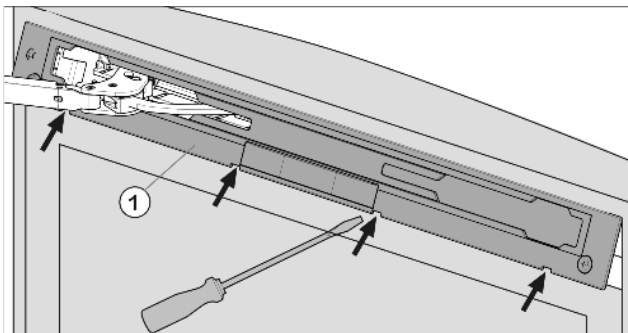


Fig. 38

NOTICE

Risk of damage!

If the door seal is damaged the door may not close properly and the level of cooling is insufficient.

- ▶ Do not damage the door seal with the screwdriver!

- ▶ Release panel *Fig. 38 (1)* using slotted screwdriver and remove.
- ▷ The panel hangs above the damper bracket.

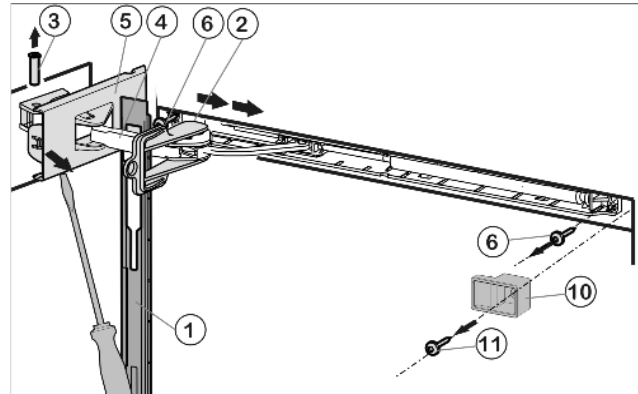


Fig. 39

- ▶ Unscrew spacer *Fig. 39 (10)*.
- ▶ Push panel forward over the damper bracket *Fig. 39 (4)* in the direction of the appliance.
- ▶ Engage locking device *Fig. 39 (2)* into place inside oblong hole.
- ▷ The locking device prevents the hinge from snapping shut.
- ▶ Unscrew cover that is on the hinge side *Fig. 39 (5)* until the first notch using a screwdriver.
- ▷ The bolt will become visible.
- ▶ Push bolt *Fig. 39 (3)* out from below.
- ▶ Press damper bracket *Fig. 39 (4)* in the direction of the door.
- ▶ Completely loosen cover that is on the hinge side *Fig. 39 (5)* and remove.
- ▶ Remove panel *Fig. 39 (1)*.
- ▶ Unscrew soft stop unit (2 x Torx 15) *Fig. 39 (6)*.
- ▶ Slightly pull out soft stop unit, push it towards the handle side and open it out.

Fit opening limiter:

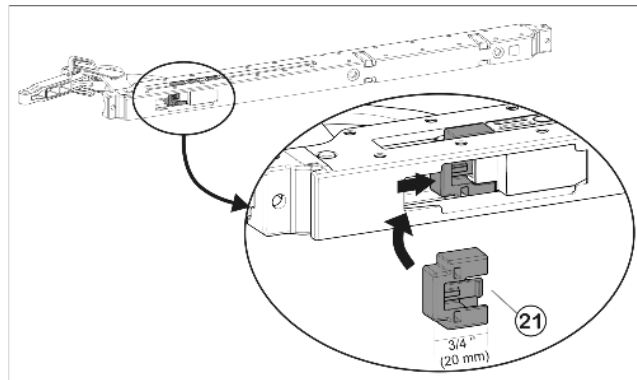


Fig. 40

- ▶ Fit opening limiter (90°) *Fig. 40 (21)* supplied: insert it into the soft stop mechanism from the side and push in until it audibly snaps into place.

Re-attaching the soft stop mechanism:

Water connection

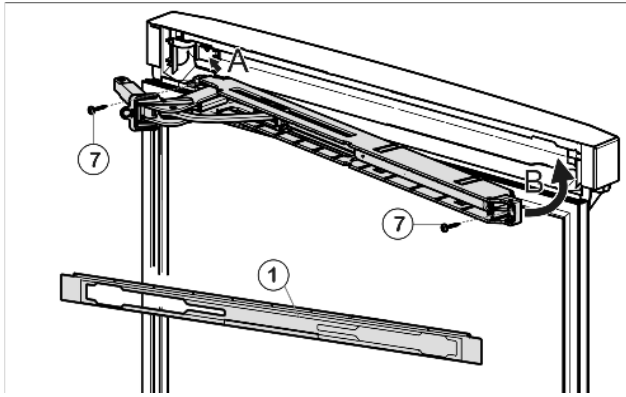


Fig. 41

- ▶ With the hinge of the upper soft stop unit facing the door hinge side, engage the soft stop unit (A) and swivel inwards (B).
- ▷ The holes on the left and right must lie exactly above each other.
- ▶ Tighten soft stop unit (2 x Torx 15) Fig. 41 (7).

Note

- ▶ Follow the correct sequence. First hang the panel over the damper bracket, then the cover.

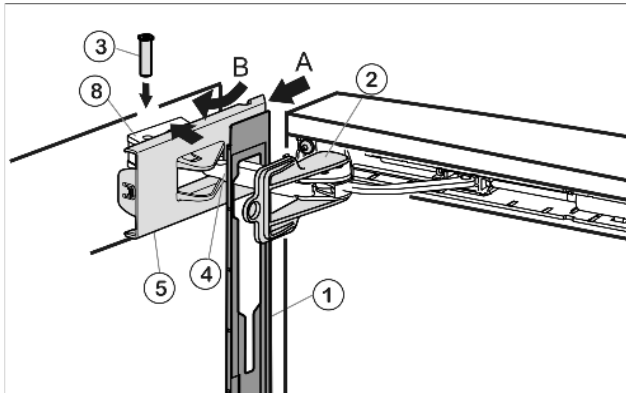


Fig. 42

- ▶ Hook panel Fig. 42 (1) into the damper bracket Fig. 42 (4) such that the detent hooks are pointing inwards and the front side is facing the appliance.
- ▶ Push on cover Fig. 42 (5) from the outside (A) and pivot over the bearing part Fig. 42 (8) (B).
- ▶ Place cover Fig. 42 (5) on top and allow to snap into place until the first notch.
- ▷ The openings for the bolts lie above each other after positioning the damper bracket.
- ▶ Pull damper bracket Fig. 42 (4) towards bearing part and insert bolt Fig. 42 (3) from above such that the square is resting in the recess.
- ▶ Now snap cover Fig. 42 (5) completely into place on the bearing part Fig. 42 (8).
- ▷ Check that the cover is positioned correctly such that the door can close properly and the bolt is secured.
- ▶ Remove locking device Fig. 42 (2) by twisting it.
- ▶ Tighten spacer Fig. 39 (10).
- ▶ Snap panel Fig. 42 (1) into place on the door.

10 Water connection*



WARNING

Electrical Shock Hazard!

- ▶ Do not make the water connection while the appliance is connected to an electrical outlet.
- ▶ Disconnect the water supply before connecting the water lines for the IceMaker.
- ▶ The connection to the water supply may only be made by a trained and licensed plumber.



WARNING

Poisoning Hazard!

- ▶ The water quality must comply with the drinking water regulations for the geographical area where the appliance is located.
- ▶ The IceMaker is designed exclusively to make ice cubes in quantities needed by a household and must only be operated with water appropriate for this purpose.

Water pressure:

psi	MPa (bars)
21.76 to 87.02	0.15 to 0.6 (1.5 to 6)

- Water must be supplied to the appliance through a cold water pipe that complies with hygiene standards and can withstand the operating pressure.
- All devices and equipment used to supply water must comply with the regulations in force in the respective country.
- The solenoid valve is located at the bottom of the back of the appliance. It has a metric R3/4 connecting thread.

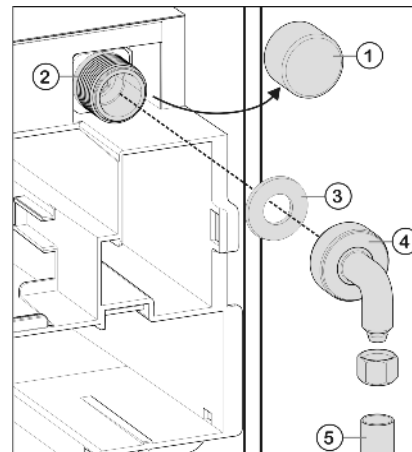


Fig. 43

- ▶ Remove the cap Fig. 43 (1) from the solenoid valve Fig. 43 (2).
- ▶ Ensure that the gasket Fig. 43 (3) is inserted in the elbow connection Fig. 43 (4) supplied.
- ▶ Connect the elbow adapter Fig. 43 (4) to the solenoid valve Fig. 43 (2) and tighten with an open-ended wrench, for example.

NOTICE

Risk of thread damage!
 ► Do not overtighten.

- Connect the domestic water supply *Fig. 43 (5)* (e.g. copper pipe) to the elbow connector *Fig. 43 (4)*.
 Before fitting into the cabinet:
- Check the whole water system for leaks.
 Before using for the first time:
- Have the water line bled (remove air) by a competent professional.

NOTICE

Malfunction of the water intake!
 If the water intake is shut off during operation but the IceMaker remains in operation, the water intake pipe may ice up.
 ► Switch off the IceMaker if the water supply is interrupted (e.g. holiday).

11 Anti-tip device

The screws for fastening the anti-tip device are not supplied with the appliance. Appropriate screws must be used for the material (wood, concrete, etc.) in which the safety device is mounted.



WARNING

Risk of injury if the appliance tips over!
 ► Install the anti-tip device to prevent the appliance from tipping over when the fully loaded door is open.

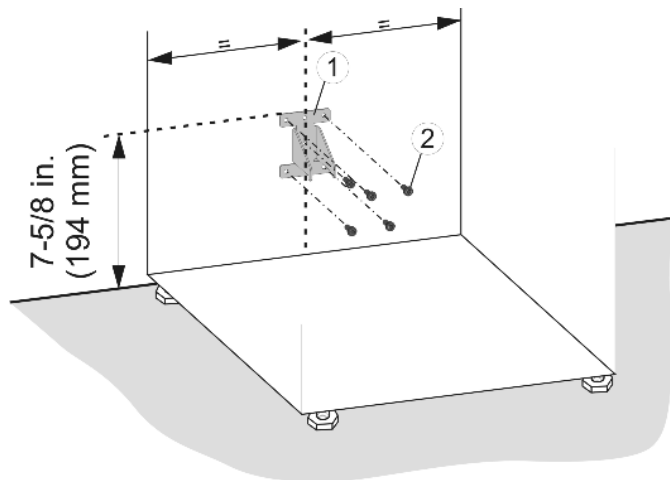


Fig. 44

- Mark the installation position for the anti-tip device on the wall or back of the unit.
- Install the anti-tip device *Fig. 44 (1)* using appropriate screws *Fig. 44 (2)*.

12 Single unit installation

Kit 9900306 is required for the installation.

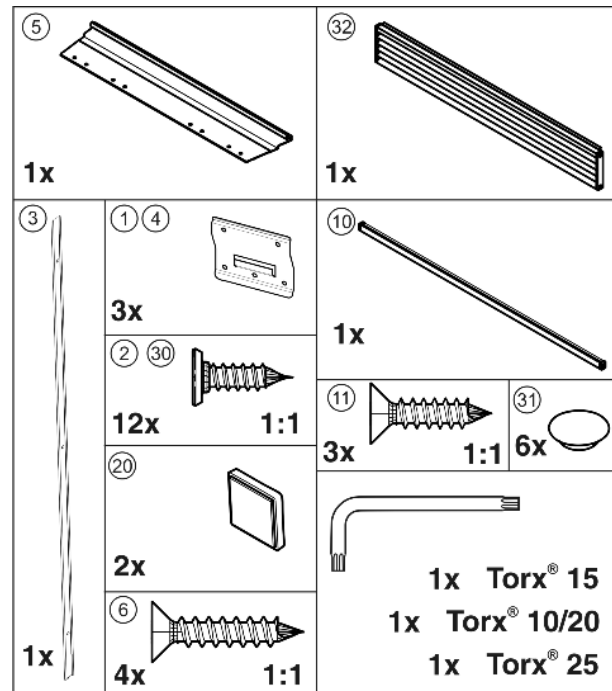


Fig. 45

The accessories kit 9900302 may be required depending on the height of the recess. (see 4)

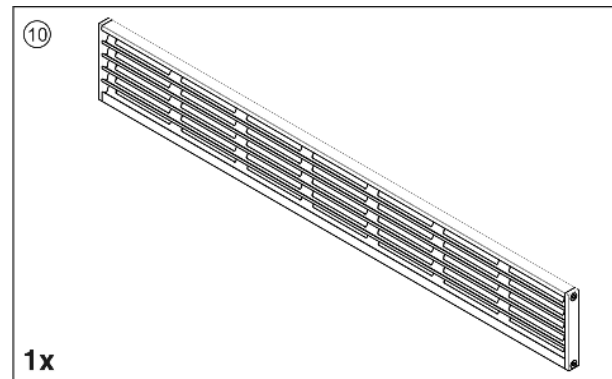


Fig. 46

- Install anti-tipping device inside the recess (see 11).

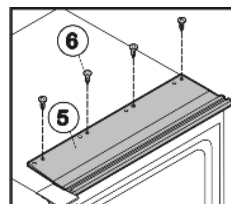


Fig. 47

- Screw on upper installation contour *Fig. 47 (5)* through the pre-cut holes using four screws *Fig. 47 (6)*.

Fit side installation strip:

Single unit installation

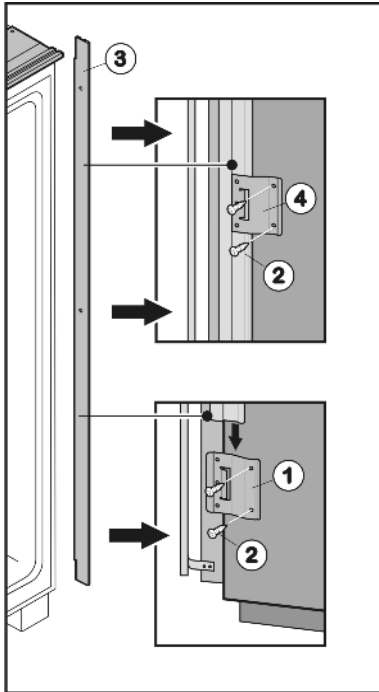


Fig. 48

- ▶ Fit retaining plate Fig. 48 (1) to the lower part of the handle side by inserting two screws Fig. 48 (2) into the pre-cut holes.
- ▶ Slide installation strip Fig. 48 (3) into the retaining plate Fig. 48 (1) from above.
- ▶ Push second retaining plate Fig. 48 (4) onto the installation strip Fig. 48 (3) from above and screw to the center of the side wall.
- ▶ Push third retaining plate Fig. 48 (4) onto the installation strip Fig. 48 (3) from above and screw to the top part of the side wall.

Note

- ▶ Depending on the recess height you will need to install a ventilation grille **or** an end strip. Observe the necessary ventilation cross-sections (see 5).

Fit upper ventilation grille (80"):

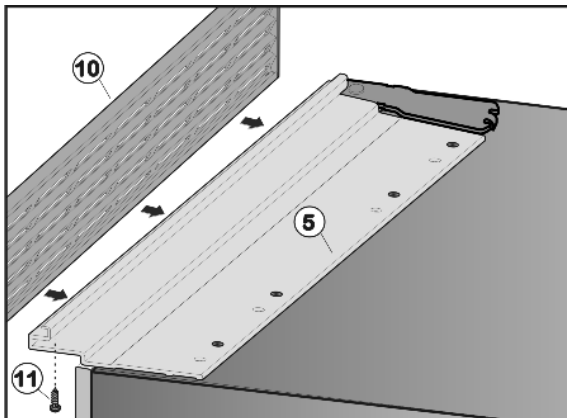


Fig. 49

- ▶ Open the door.

- ▶ Position ventilation grille Fig. 49 (10) over the installation contour Fig. 49 (5) and align it such that the holes in ventilation grille and installation contour are above each other.
- ▶ Screw ventilation grille Fig. 49 (10) to installation contour Fig. 49 (5) from below using three screws Fig. 49 (11).

Install end strip:

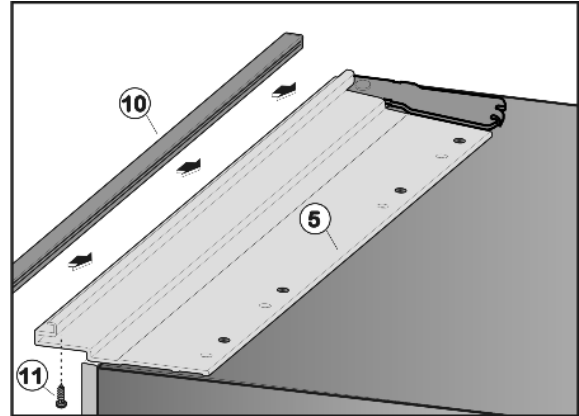


Fig. 50

- ▶ Open the door.
- ▶ Position end strip Fig. 50 (10) over the installation contour Fig. 50 (5) and align it such that the holes in ventilation grille and installation contour are above each other.
- ▶ Screw end strip Fig. 50 (10) to installation contour Fig. 50 (5) from below using three screws Fig. 50 (11).

Secure side installation strips:

carry out the following steps for the hinge-side and the handle-side strip:

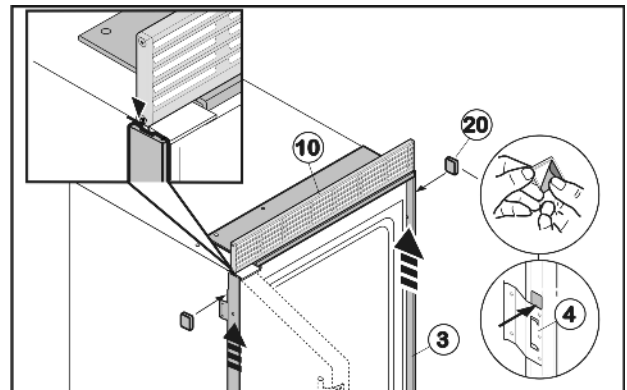


Fig. 51

- ▶ Remove adhesive tape from the side installation strip Fig. 51 (3).
- ▶ Push installation strip Fig. 51 (3) upwards until it is touching the ventilation grille Fig. 51 (10).
- ▶ Glue the adhesive plates Fig. 51 (20) above the retaining plate Fig. 48 (1) and the retaining plates Fig. 51 (4) respectively to the installation strip Fig. 51 (3) such that it cannot slide downwards.

Install the appliance in the recess:

- ▶ Connect appliance to the water supply (see 10) .*
- ▶ Insert the power cable into the socket (see 15) .

NOTICE

Risk of damage due to leaking water!

- ▶ When pushing the appliance into the recess ensure that the water connection does not kink or become damaged.

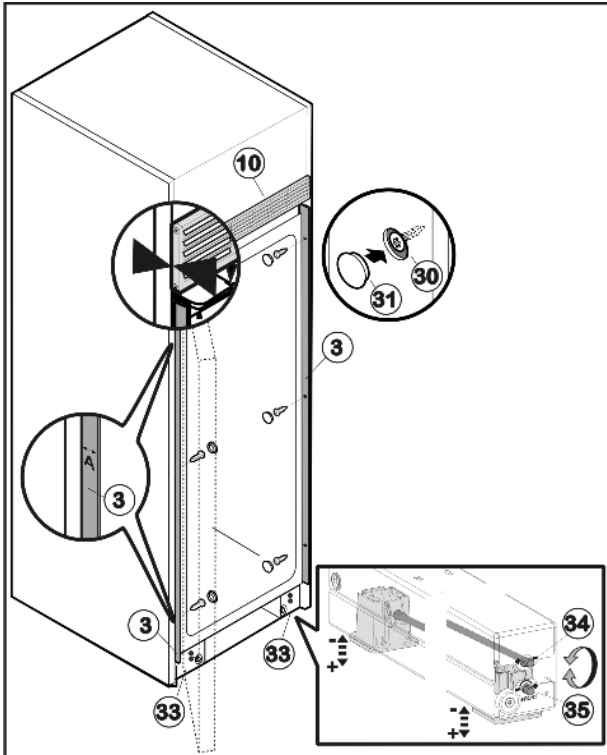


Fig. 52

- ▶ Push the appliance into the recess until the rear edge of the ventilation grille Fig. 52 (10) is flush with the front edge of the side wall of the cabinet.
- ▶ Open the door.
- ▶ Align appliance inside the recess above the roller bases Fig. 52 (33) using a spirit level: Use upper adjustment setting (1/4") Fig. 52 (34) for the rear adjustable foot and lower adjustment setting (1/4") Fig. 52 (35) for the front adjustable foot respectively. Turn clockwise to raise and counterclockwise to lower. Maximum adjustable height: 5/8 in (16 mm).
- ▶ At the top and bottom of the recess check the gap **A** between the front edge of the installation strip Fig. 52 (3) and the front edge of the side wall of the unit. It must be 1/2 " (13 mm). Realign the appliance in the recess if required.
- ▶ Secure appliance inside the recess using three screws Fig. 52 (30) on the handle side and the hinge side respectively. Do not scratch the side installation strip Fig. 51 (3) when doing so.
- ▶ Place cover caps Fig. 52 (31) over the screws.

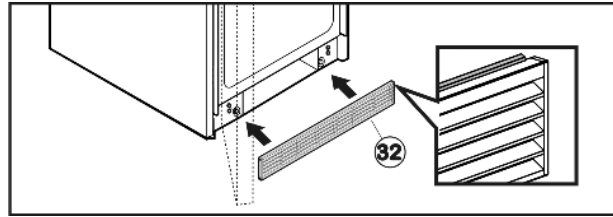


Fig. 53

If a water filter is used:

- ▶ Insert water filter (see 14) .*

If no water filter is used:

- ▶ Fit lower ventilation grille Fig. 53 (32) flush with the floor such that the rubber lip is at the top. It is held in place via magnets.

- ▶ Fit décor panels (see 7) .

Fit handles (framed panel):

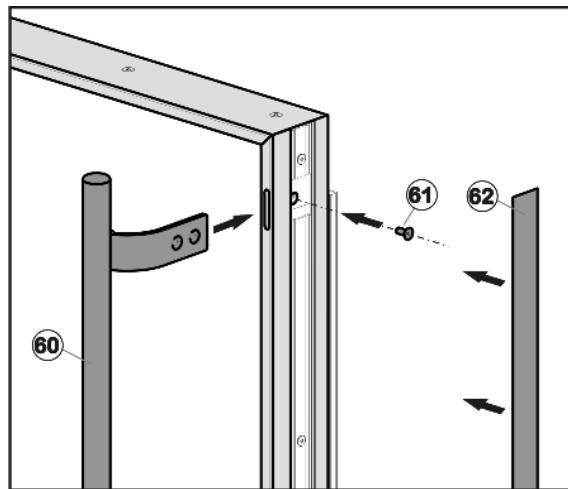


Fig. 54

- ▶ Push handles Fig. 54 (60) into the openings in the door and screw on Fig. 54 (61). Press cover trim Fig. 54 (62) into position.

Fit handles (overlay panel):

You can use either your own handles (that match the kitchen cabinets) or handles from the manufacturer that have been ordered separately.

Side-by-side installation

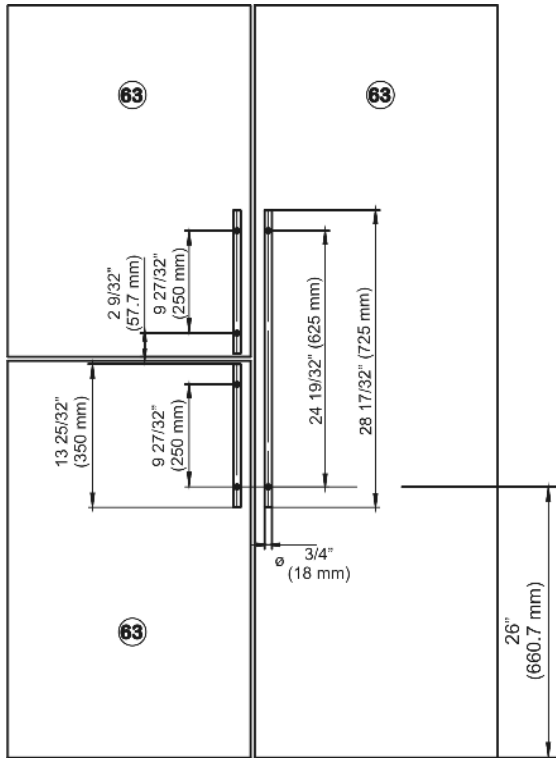


Fig. 55 Handles from the manufacturer \varnothing 3/4" (18 mm)

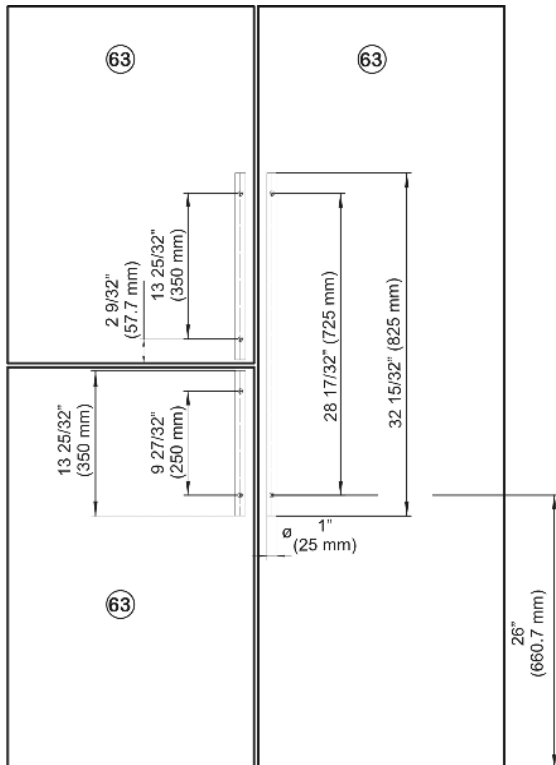


Fig. 56 Handles from the manufacturer \varnothing 1" (25mm)

- Fit handles to the overlay panel Fig. 56 (63) as shown in the diagram.

13 Side-by-side installation

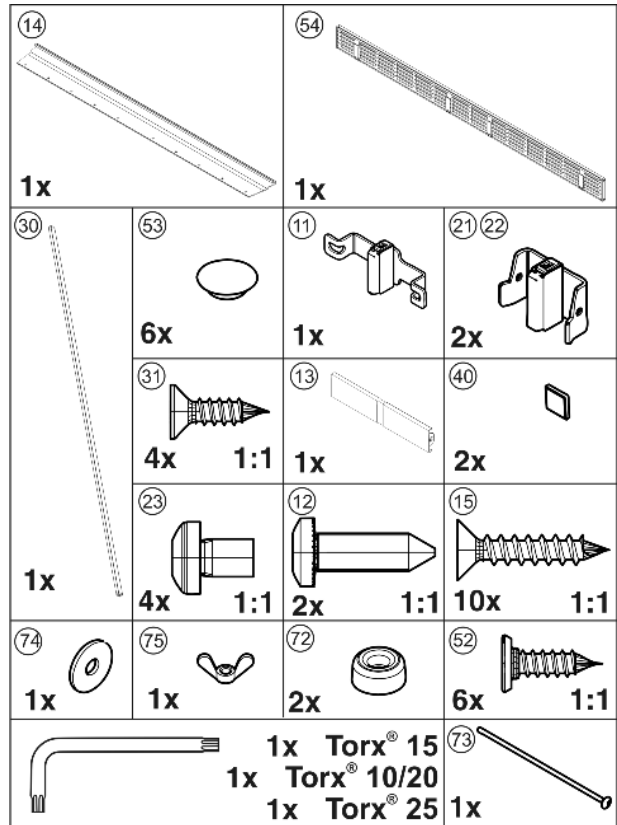


Fig. 57

Kit 9900308 is required for the installation.

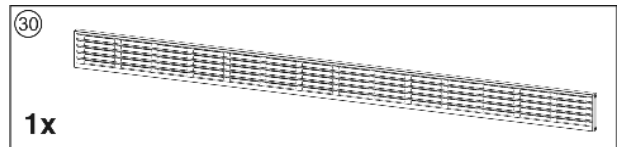


Fig. 58

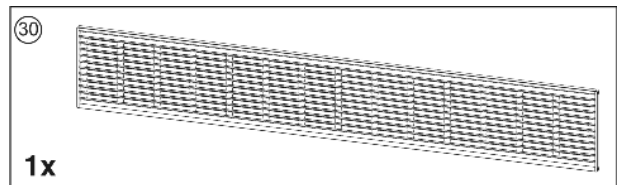


Fig. 59

The accessories kit 9900304 or 9900344 may be required depending on the height of the recess. (see 4)

- Install anti-tipping device inside the recess (see 11).

Fit side installation strips:

If the side on which the door hinges are located has been changed, move the side installation strip to the hinge side for both appliances.

Side-by-side installation

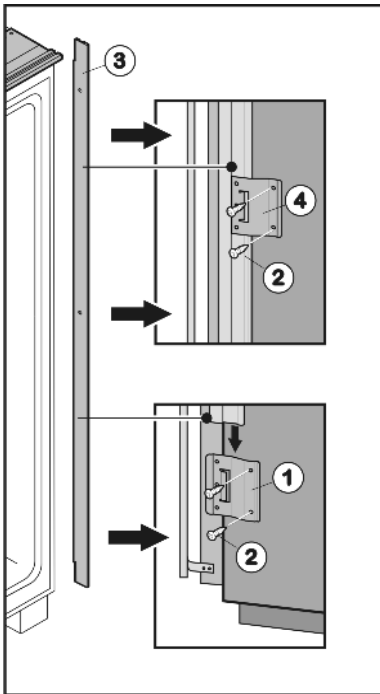


Fig. 60

- ▶ Unscrew retaining plates Fig. 60 (1,4) and remove rail Fig. 60 (3).
- ▶ Fit retaining plate Fig. 60 (1) to the lower part of the hinge side by inserting two screws Fig. 60 (2) into the pre-cut holes.
- ▶ Slide rail Fig. 60 (3) into the retaining plate Fig. 60 (1) from above.
- ▶ Push second retaining plate Fig. 60 (4) onto the rail from above and screw onto the center of the side wall.
- ▶ Push third retaining plate Fig. 60 (4) onto the rail from above and screw onto the top part of the side wall.

Join appliances:

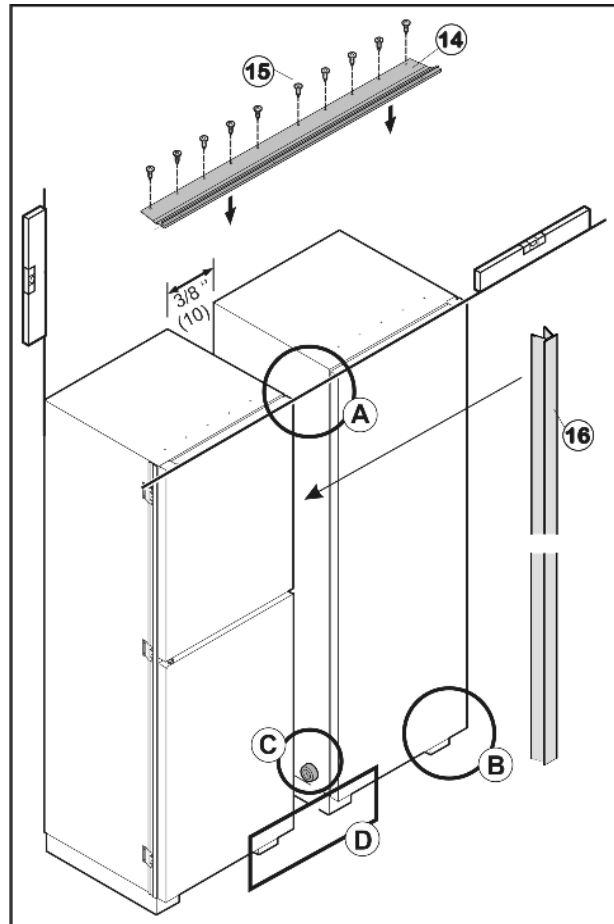


Fig. 61

- ▶ Position the appliances next to each other with a gap of approximately 13/32 " (10 mm) such that they are flush at the front.
- ▶ Open the door.

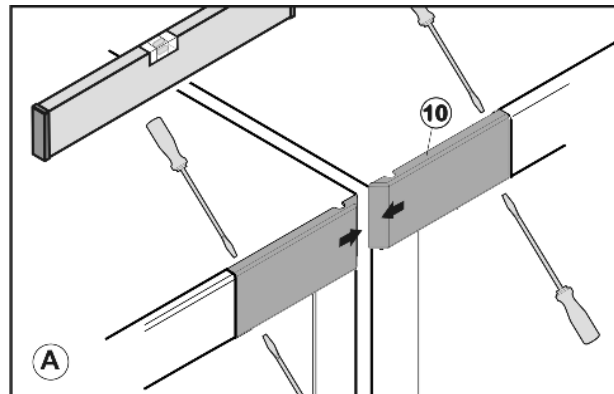


Fig. 62

- ▶ Loosen covers Fig. 62 (10) using a screwdriver and pull inwards to remove.

Side-by-side installation

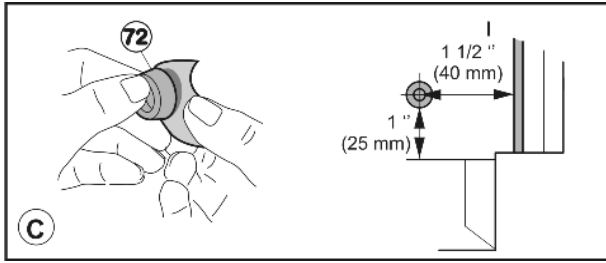


Fig. 63

- ▶ Glue spacer Fig. 63 (72) onto the lower part of the side wall on the handle side, approximately 1.5 in. (40 mm) as measured inwards from the front edge of the appliance.

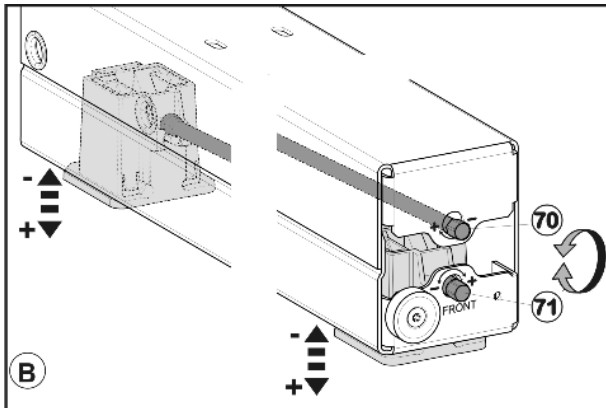


Fig. 64

- ▶ Align the height of both appliances evenly using the four roller bases. Use upper adjustment setting (1/4") Fig. 64 (70) for the rear adjustable foot and lower adjustment setting (1/4") Fig. 64 (71) for the front adjustable foot respectively. Turn clockwise to raise and counterclockwise to lower. Maximum adjustable height: 5/8 in (16 mm).
- ▶ Position end strip Fig. 61 (14) over the installation contour and align it such that the holes in ventilation grille and installation contour are above each other.
- ▶ Screw on upper installation contour Fig. 61 (14) through the pre-cut holes using screws Fig. 63 (15).

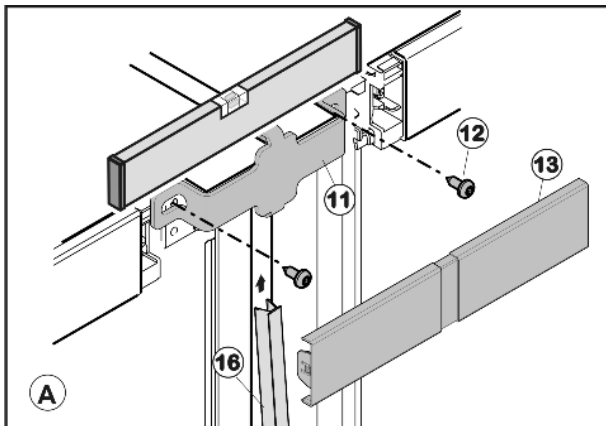


Fig. 65

- ▶ Secure upperconnecting element Fig. 65 (11) using two screws Fig. 65 (12). Make preliminary holes (optional) or use a cordless screwdriver.

- ▶ Clip on cover panel Fig. 65 (13).
- ▶ Push appliances together at the bottom and realign if necessary.

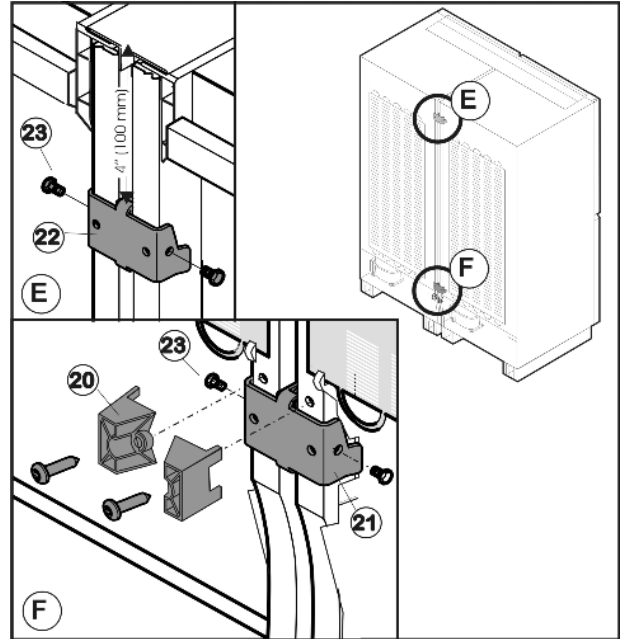


Fig. 66

- ▶ Remove the spacers Fig. 66 (20) from the lower reverse side of the appliances.
- ▶ Position lower connecting piece Fig. 66 (21) such that the screw holes are above each other and screw Fig. 66 (23) on from the side.
- ▶ Position upper connecting piece Fig. 66 (22) and screw Fig. 66 (23) on from the side.

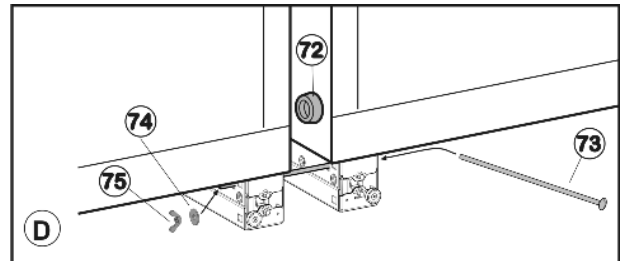


Fig. 67

- ▶ Insert long carriage bolt Fig. 67 (73).
- ▶ Push washer Fig. 67 (74) and nut Fig. 67 (75) onto the screw. Tighten nut until the spacer Fig. 67 (72) is touching the opposite side wall.
- ▶ Fit strip Fig. 65 (16), push it slightly under the top cover Fig. 65 (13) and then press it downwards into the gap.
- ▶ Tighten the screws Fig. 66 (23).

Note

- ▶ Depending on the recess height, you will need to install a ventilation grille (80"), a ventilation grille (84") or an end strip. Observe the necessary ventilation cross-sections (see 5).

Fit upper ventilation grille (80" or 84"):

Side-by-side installation

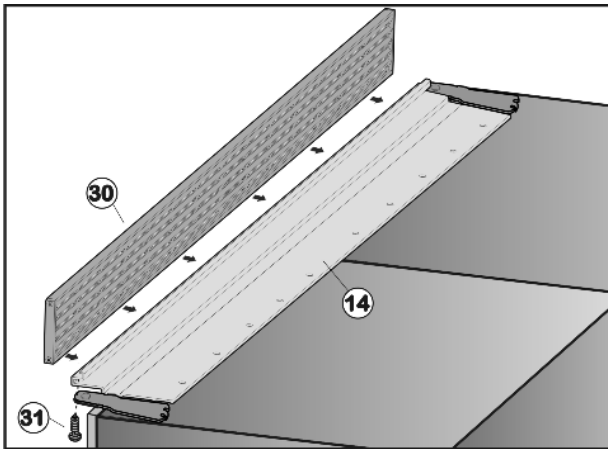


Fig. 68

- ▶ Open the door.
- ▶ Position ventilation grille Fig. 68 (30) over the installation contour Fig. 61 (14) and align it such that the holes in ventilation grille and installation contour are above each other.
- ▶ Screw ventilation grille Fig. 68 (30) to installation contour from below using four screws Fig. 68 (31).

Fit end strip:

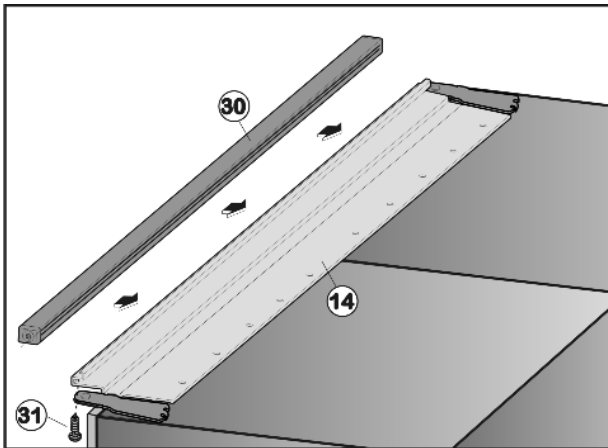


Fig. 69

- ▶ Open the door.
- ▶ Position end strip Fig. 69 (30) over the installation contour Fig. 61 (14) and align it such that the holes in ventilation grille and installation contour are above each other.
- ▶ Screw end strip Fig. 69 (30) to installation contour from below using four screws Fig. 69 (31).

Secure side installation strip:

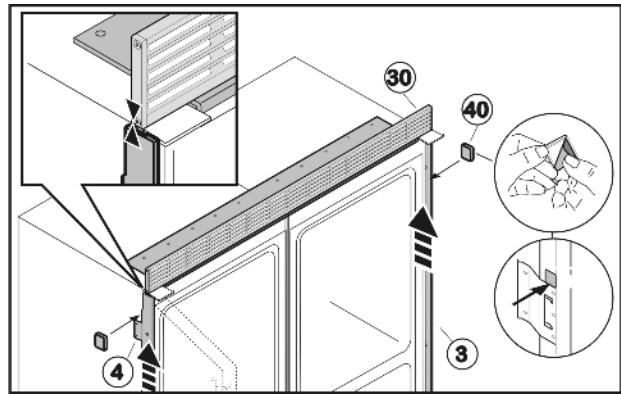


Fig. 70

- ▶ Remove adhesive tape from the side installation strip Fig. 70 (3).
- ▶ Push installation strip Fig. 70 (3) upwards until it is touching the ventilation grille Fig. 70 (30).
- ▶ Glue the adhesive plates Fig. 70 (40) above the retaining plate Fig. 60 (1) and the retaining plates Fig. 70 (4) respectively to the installation strip Fig. 70 (3) such that it cannot slide downwards.

Install the appliance in the recess:

- ▶ Connect appliance to the water supply (see 10) .*
- ▶ Insert the power cable into the socket (see 15) .

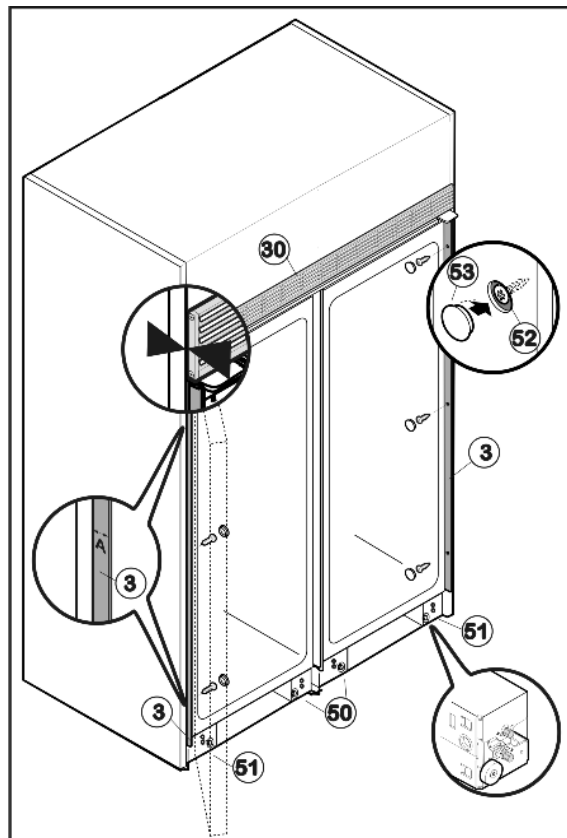


Fig. 71

- ▶ Push the appliance into the recess until the rear edge of the ventilation grille Fig. 71 (30) is flush with the front edge of the side wall of the cabinet.
- ▶ Open the door.

Side-by-side installation

- ▶ Completely raise the levelling wheels at the front and back of the two center roller bases *Fig. 71 (50)* such that the attached appliances are resting on the outer roller bases only.
- ▶ Align appliance inside the recess by adjusting the outer roller bases *Fig. 71 (51)* and using a spirit level.
- ▶ At the top and bottom of the recess check the gap **A** between the front edge of the installation strip *Fig. 71 (3)* and the front edge of the side wall of the unit. It must be 1/2" (13 mm). Realign the appliance in the recess if required.
- ▶ Secure appliance inside the recess using three screws *Fig. 71 (52)* hinge side of each appliance. Do not scratch the side installation strip *Fig. 71 (3)* when doing so.
- ▶ Place cover caps *Fig. 71 (53)* over the screws.
- ▶ Being careful not to affect the level, lower the levelling wheels in the center roller bases *Fig. 71 (50)* until they are resting on the floor.

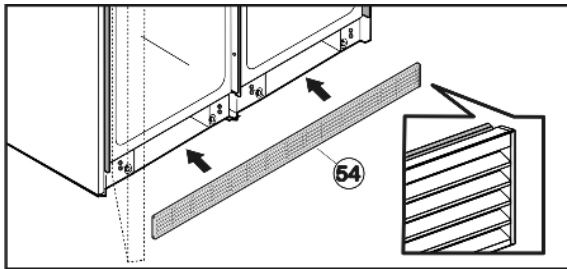


Fig. 72

If a water filter is used:

- ▶ Insert water filter (see 14) .*

If no water filter is used:

- ▶ Fit lower ventilation grille *Fig. 71 (54)* flush with the floor such that the rubber lip is at the top. It is held in place via magnets.
- ▶ **Fit décor panels** (see 7) .

Fit handles (framed panel):

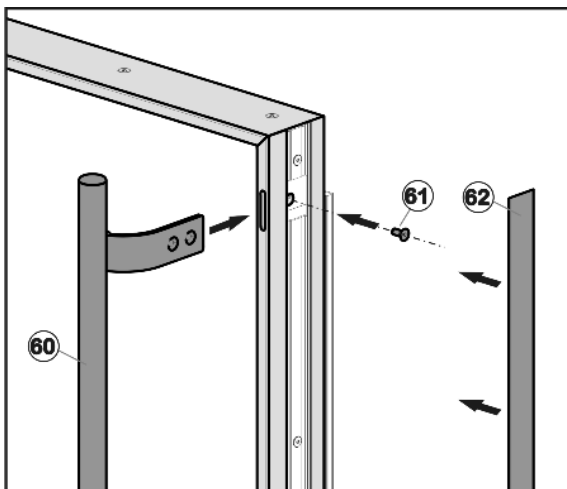


Fig. 73

- ▶ Push handles *Fig. 73 (60)* into the openings in the door and screw on *Fig. 73 (61)*. Press cover trim *Fig. 73 (62)* into position.

Fit handles (overlay panel):

You can use either your own handles (that match the kitchen cabinets) or handles from the manufacturer that have been ordered separately.

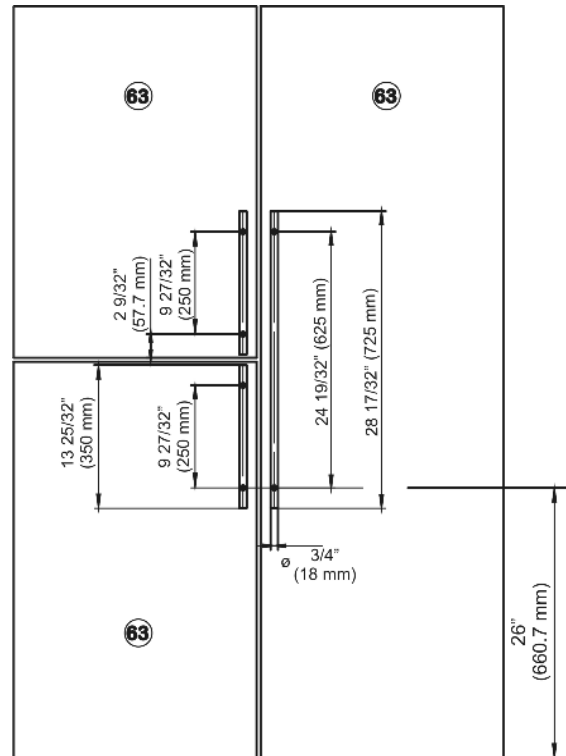


Fig. 74 Handles from the manufacturer Ø 3/4" (18 mm)

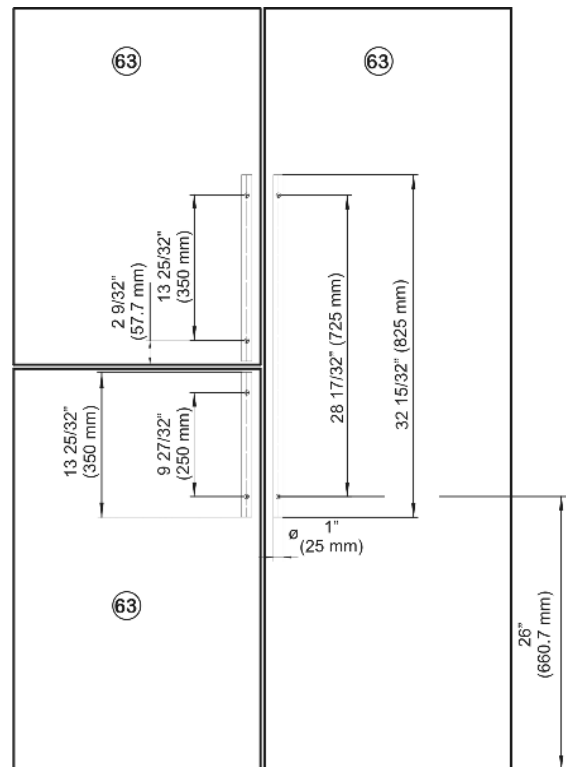


Fig. 75 Handles from the manufacturer Ø 1" (25mm)

- ▶ Fit handles to the overlay panel *Fig. 75 (63)* as shown in the diagram.

14 Installing the water filter*

The water filter guarantees optimal water quality and should be installed the first time you use the appliance.

Alternatively, the appliance can also be operated without the water filter.

Flow rate	0.5 gpm (1.89 lpm)
Water connection	Drinking water
Water pressure	40 psi - 90 psi (2.8 bar - 6.2 bar/ 0.28 MPa - 0.62 MPa)
Water temperature	33 °F - 100 °F (0.6 °C - 37 °C)
Capacity	300 gal. (1.14 l)



WARNING

Consuming contaminants can be harmful to your health!

- ▶ If there is a chance the water may contain harmful bacteria or if the water quality is unknown, do not use this system without appropriate disinfection measures upstream or downstream of the system.

NOTICE

Leakage water may damage the system!

- ▶ Do not install this system on hot water lines. The maximum operating temperature of the water in this system is 100 °F (37.7 °C).
- ▶ This system **MUST** be installed and used in compliance with federal and local installation regulations.
- ▶ Do not install under water hammer conditions. A water hammer arrestor must be used to prevent water hammering. If you are unsure how to check these conditions, consult a professional installer.
- ▶ Do not install with a water pressure greater than 90 psi (6.2 bar). If your water pressure exceeds 80 psi, install a pressure limiting valve. If you are unsure how to check the water pressure, consult a professional installer.
- ▶ Protect against frost; if temperatures below 33 °F (0.6 °C) are expected, remove the filter.
- ▶ When used as indicated, the disposable filter cartridges must be replaced every 6 months or whenever you notice a considerable decrease in the flow rate.

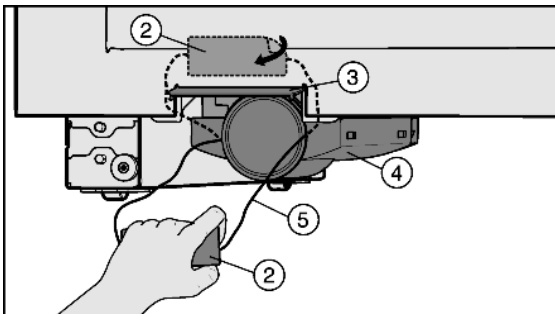


Fig. 76

- ▶ If necessary, remove ventilation grille Fig. 77 (1).
- ▶ Remove any labels Fig. 76 (2) from the appliance.

- ▶ Open the filter change flap Fig. 76 (3).
- ▶ Carefully pull out drawer Fig. 76 (4) by the string Fig. 76 (5).
- ▶ Cut off the string Fig. 76 (5) together with the label Fig. 76 (2) and pull out. It is no longer required and can be disposed of.

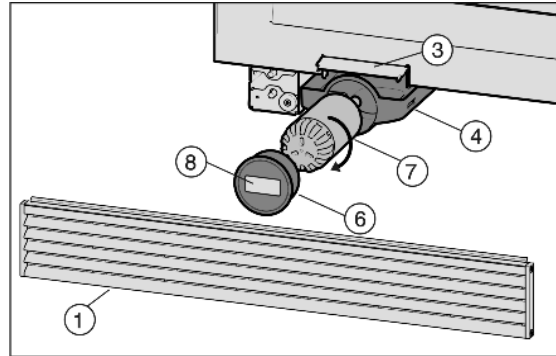


Fig. 77

- ▶ Remove the filter cover Fig. 77 (6).
- ▶ Insert water filter Fig. 77 (7) and turn it approximately 100° clockwise as far as it will go.
- ▶ Insert the drawer Fig. 77 (4).
- ▶ Place the cover Fig. 77 (6) on the filter.
- ▶ Write the date of the next filter replacement on the label Fig. 77 (8) supplied and affix it to the filter cover Fig. 77 (6).
- ▶ Close the filter change flap Fig. 76 (3).
- ▶ Fit ventilation grille Fig. 77 (1).
- ▶ Make sure the filter is leak-tight and no water is coming out.

Note

New water filters may contain particulate matter and must be rinsed through before use.

- ▶ To achieve this, do not consume or use the ice cubes that are produced within 72 hours after the filter is replaced.

▷ The water filter is now ready for use.

15 Connecting the appliance



WARNING

Electrical shock hazard!

- ▶ Start-up should only take place once the appliance has been installed according to these instructions.
- ▶ Electrically ground appliance.
- ▶ Do not ground to a gas pipe.
- ▶ Check with a qualified electrician if you are not sure the appliance is properly grounded.
- ▶ Do not have a fuse in the neutral or grounding circuit.
- ▶ Do not use an extension cord, power bar or a multiple socket adapter.
- ▶ Do not use a power cord that is frayed or damaged.

Connecting the appliance



WARNING

Electrical shock hazard!

This appliance is equipped with a three-prong (grounding) polarized plug for your protection against possible shock hazards. Electrical Grounding Required.

- ▶ Do not remove the round grounding prong from the plug.
 - ▶ Do not use a two-prong grounding adapter.
-

- Wait 1 hour after installation before you plug in the appliance. This allows the refrigerant and system lubrication to reach equilibrium.
- Make sure incoming voltage is the same as the appliance rating. A 110-120 Volt, 60 Hz, 15 Amp electrical supply (20 Amp for side-by-side installations) circuit that is controlled by a circuit breaker or fuse is required.
- We recommend using a dedicated circuit for this appliance to prevent electrical overload.
- Follow all Federal, State and local electrical, fire and building codes and ordinances when installing the receptacle and / or the appliance.
- In some communities, a wall switch is required to turn power to the appliance ON and OFF.
- To reduce the risk of fire, electric shock, or personal injury, installation work and electrical wiring must be done by a qualified electrician in accordance with all applicable codes and standards, including fire-rated construction.
- You are advised to clean the appliance before switching it on the first time .
- The top of the electric outlet must be located within 82-5/8 in. (2100 mm) from the top of the base in the cabinet.

Free Manuals Download Website
<http://myh66.com>
<http://usermanuals.us>
<http://www.somanuals.com>
<http://www.4manuals.cc>
<http://www.manual-lib.com>
<http://www.404manual.com>
<http://www.luxmanual.com>
<http://aubethermostatmanual.com>

Golf course search by state

<http://golfingnear.com>

Email search by domain

<http://emailbydomain.com>

Auto manuals search

<http://auto.somanuals.com>

TV manuals search

<http://tv.somanuals.com>