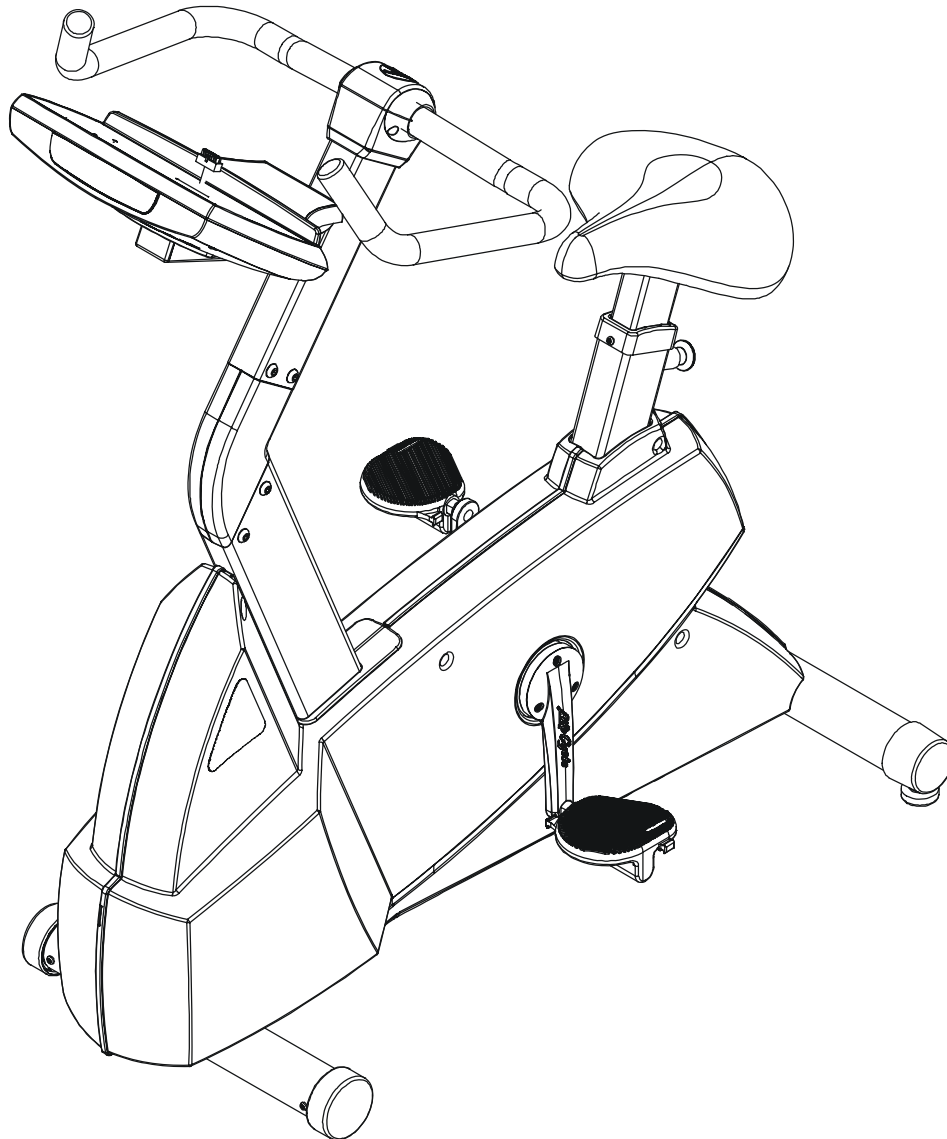


# LifeFitness

ARCTIC SILVER 95CW Upright Bike



## Customer Support Services PARTS MANUAL rev 01 May 2008

**ARCTIC SILVER 95CW**  
**REFERENCES**

**95CW-0XXX-02**  
**S/N CCR100000 and UP**

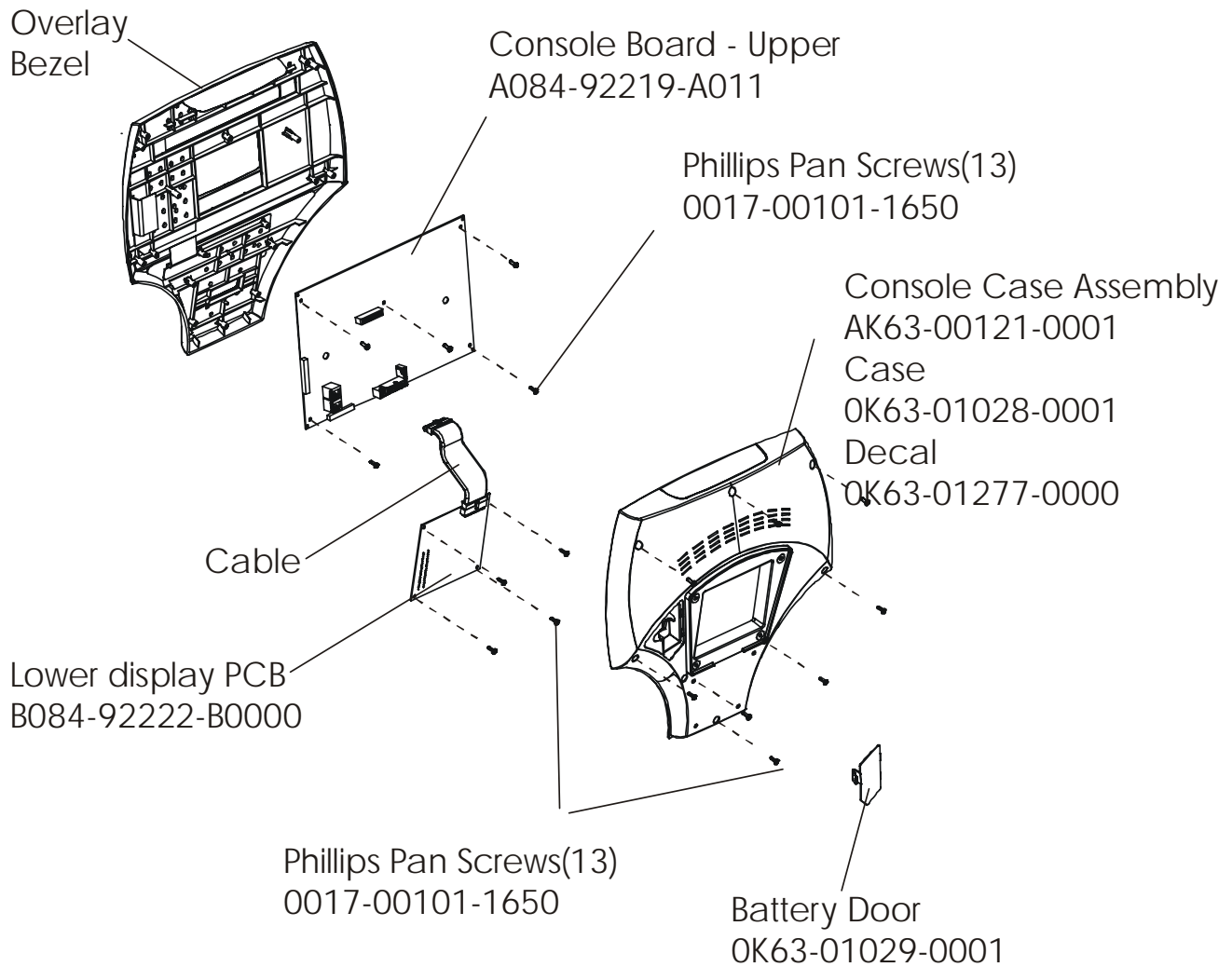
OPERATION MANUAL	M051-00K63-A064
HARDWARE BAG	GK63-00002-0044
NETWORK C-SAFE KIT	GK63-00002-0003
POWER OPTION KIT – 120V	GK63-00002-0005
POWER OPTION KIT – 220/50 UK	GK63-00002-0039
POWER OPTION KIT – 240V+ AUS	GK63-00002-0040
POWER OPTION KIT – 220/50	GK63-00002-0041
TOUCH UP PAINT: SPRAY CAN .5 OZ BOTTLE W/APPLICATOR .33 OZ PEN	0017-00008-0204 0017-00008-0205 0017-00008-0206
COAX CABLE	AK32-00020-0001
ER READY BRACKET ASSEMBLY ASEMBLY CONSISTS OF: 1) POWER CABLE 2) ER READY BRACKET 3) F TYPE CONNECTOR	AK63-00215-0000 AK32-00078-0001 0K63-01329-0000 0017-00021-2846
SERVICE MANUAL	M051-00K63-A009

**NOTE: ADDING THE BOLT ON LCD SCREEN TO THE  
95CW-0XXX-02 MAKES THE UNIT A 95CER-0XXX-02**

	Page
CONSOLE AND RELATED COMPONENTS.....	4
CONSOLE MOUNTING SCREWS AND POLAR COVERS.....	5
ALTERNATOR W/PULLEY .....	6
CRANKSHAFT AND BEARING ASSEMBLY.....	7
INTERMEDIATE SHAFT AND BEARING ASSEMBLY.....	8
SEAT LATCH ASSEMBLY.....	9
SEAT POST ASSEMBLY .....	10
SEAT POST SHROUDS.....	11
IDLER BRACKET ASSEMBLY.....	12
CONSOLE SUPPORT ASSEMBLY.....	13
LEFT SIDE SHROUD AND CRANKARM.....	14
RIGHT SIDE SHROUD AND CRANKARM.....	15
PCB MOUNTING BRACKET ASSEMBLY.....	16
FRONT WHEELS.....	17
RESISTOR ASSEMBLY.....	18
HANDLEBAR ASSEMBLY.....	19
BELTS.....	20
CABLES.....	21

**ARCTIC SILVER 95CW**  
**Console and Related Components**

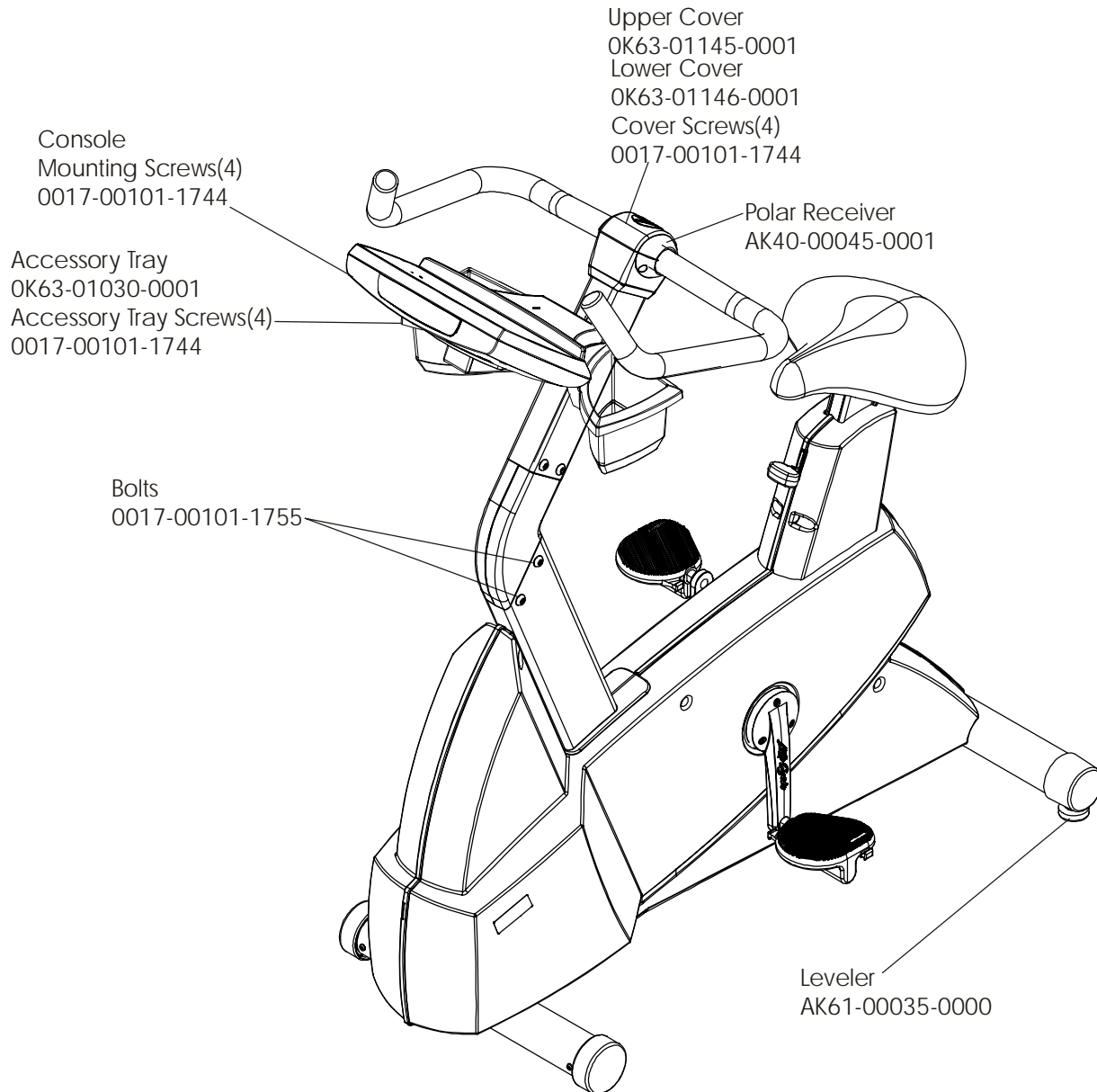
**95CW-0XXX-02**  
**S/N CCR100000 and UP**



Console Assembly	Bezel/Switch W/Overlay Assy.
AK63-00160-0001 Eng Met	AK63-00165-0001 Eng Met
AK63-00160-0003 Ger Met	AK63-00165-0003 Ger Met
AK63-00160-0004 Spn Met	AK63-00165-0004 Spn Met
AK63-00160-0006 Jap Met	AK63-00165-0006 Jap Met
AK63-00160-0007 Frn Met	AK63-00165-0007 Frn Met
AK63-00160-0008 Itl Met	AK63-00165-0008 Itl Met
AK63-00160-0009 Dut Met	AK63-00165-0009 Dut Met
AK63-00160-0010 Por Met	AK63-00165-0010 Por Met

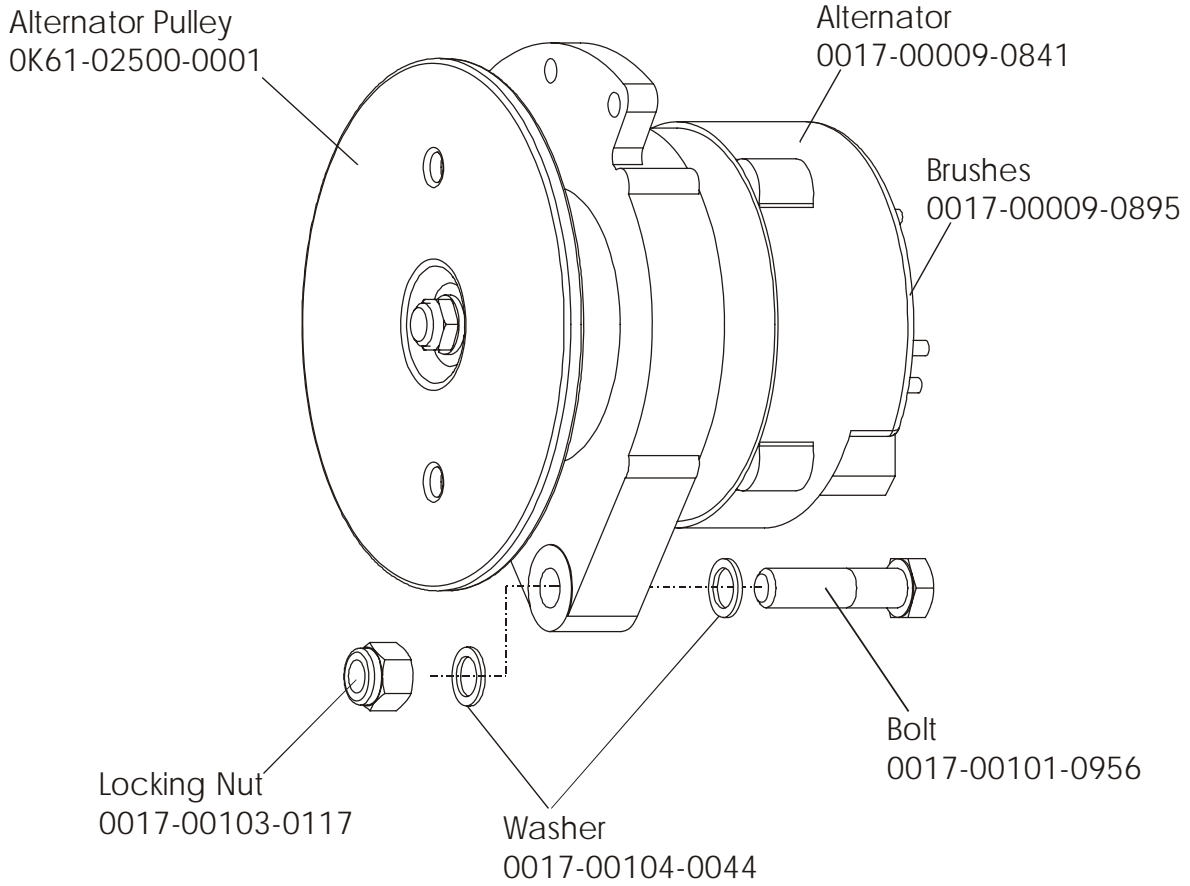
**ARCTIC SILVER 95CW**  
**Console Mtg. Screws & Polar Covers**

**95CW-0XXX-02**  
**S/N CCR100000 and UP**



**ARCTIC SILVER 95CW**  
**Alternator w/Pulley-AK63-00093-0000**

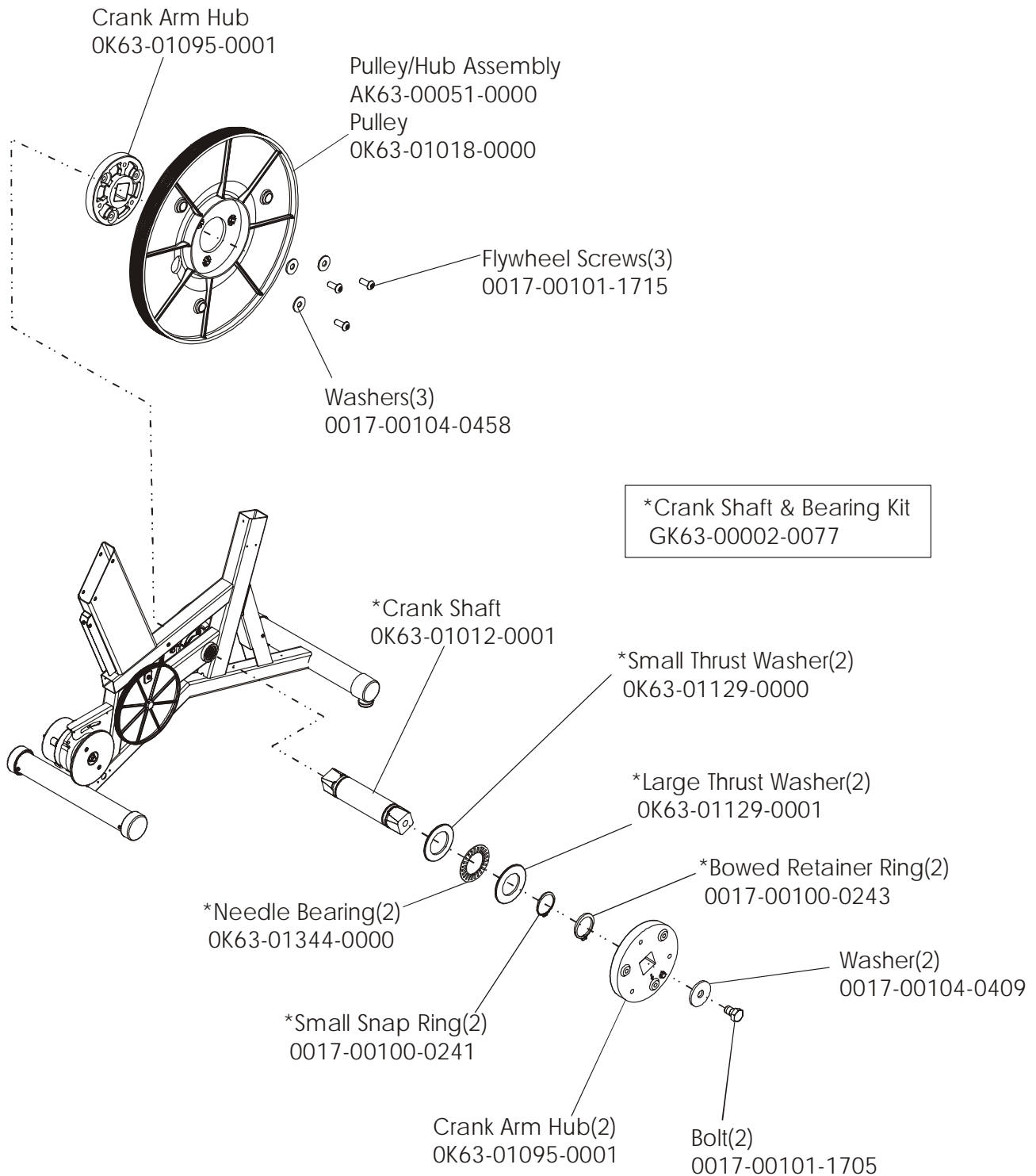
**95CW-0XXX-02**  
**S/N CCR100000 and UP**



# ARCTIC SILVER 95CW

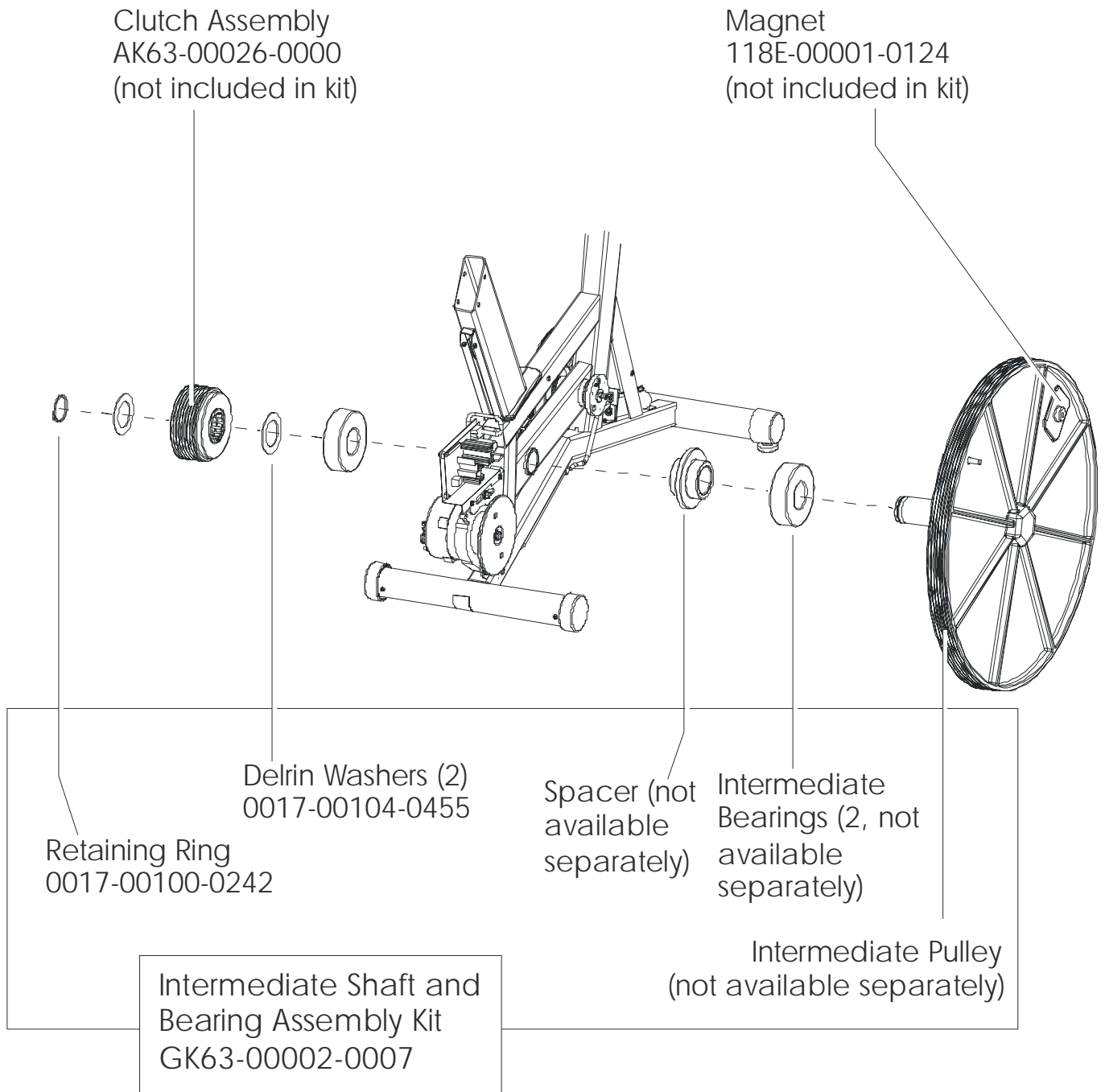
## Crankshaft and Bearing Assembly

95CW-0XXX-02  
S/N CCR100000 and UP



**ARCTIC SILVER 95CW**  
**Intermediate Shaft & Bearing Assembly**

**95CW-0XXX-02**  
**S/N CCR100000 and UP**



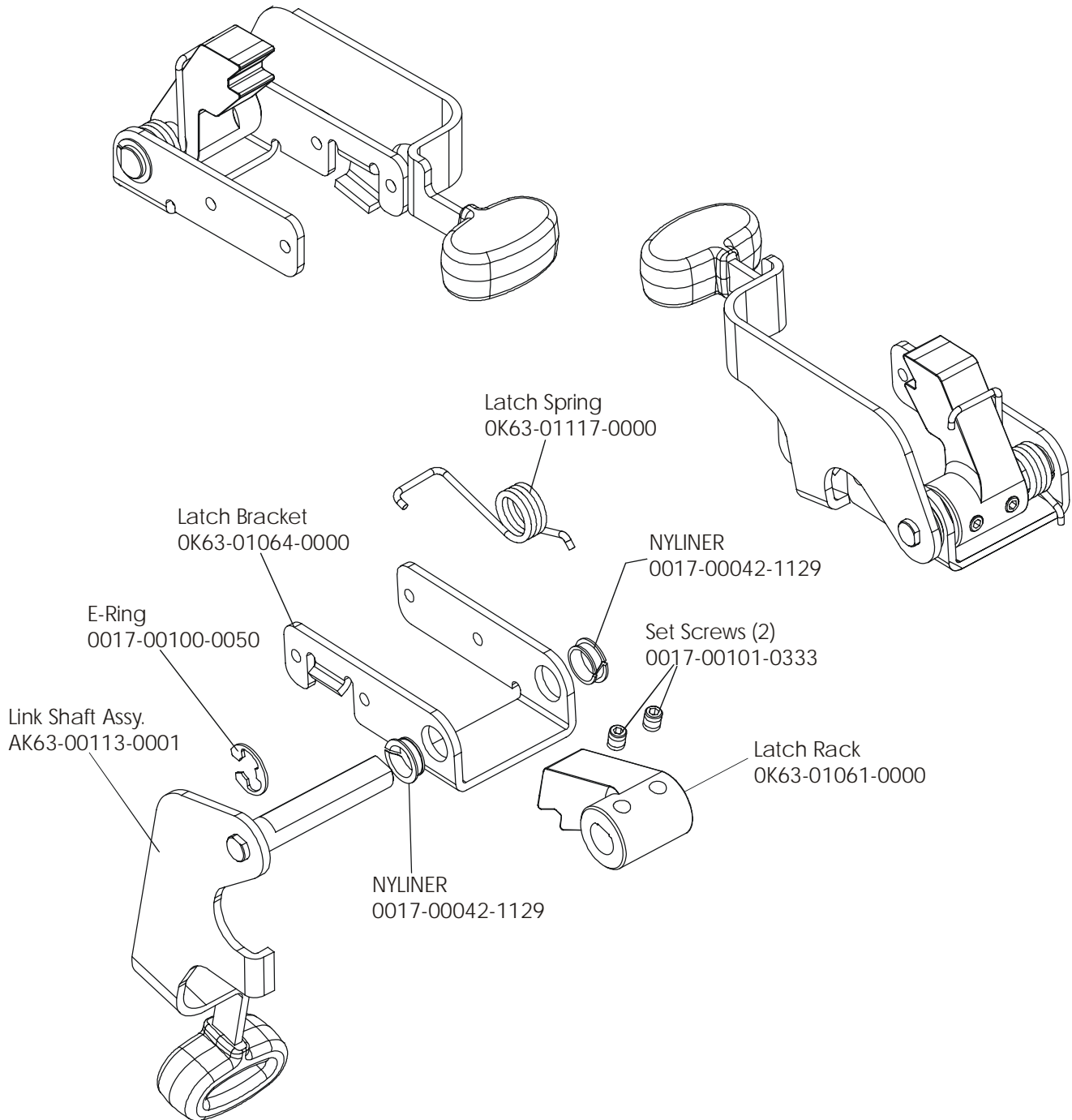


# ARCTIC SILVER 95CW

## Seat Latch Assembly - AK63-00043-0001

95CW-0XXX-02

S/N CCR100000 and UP

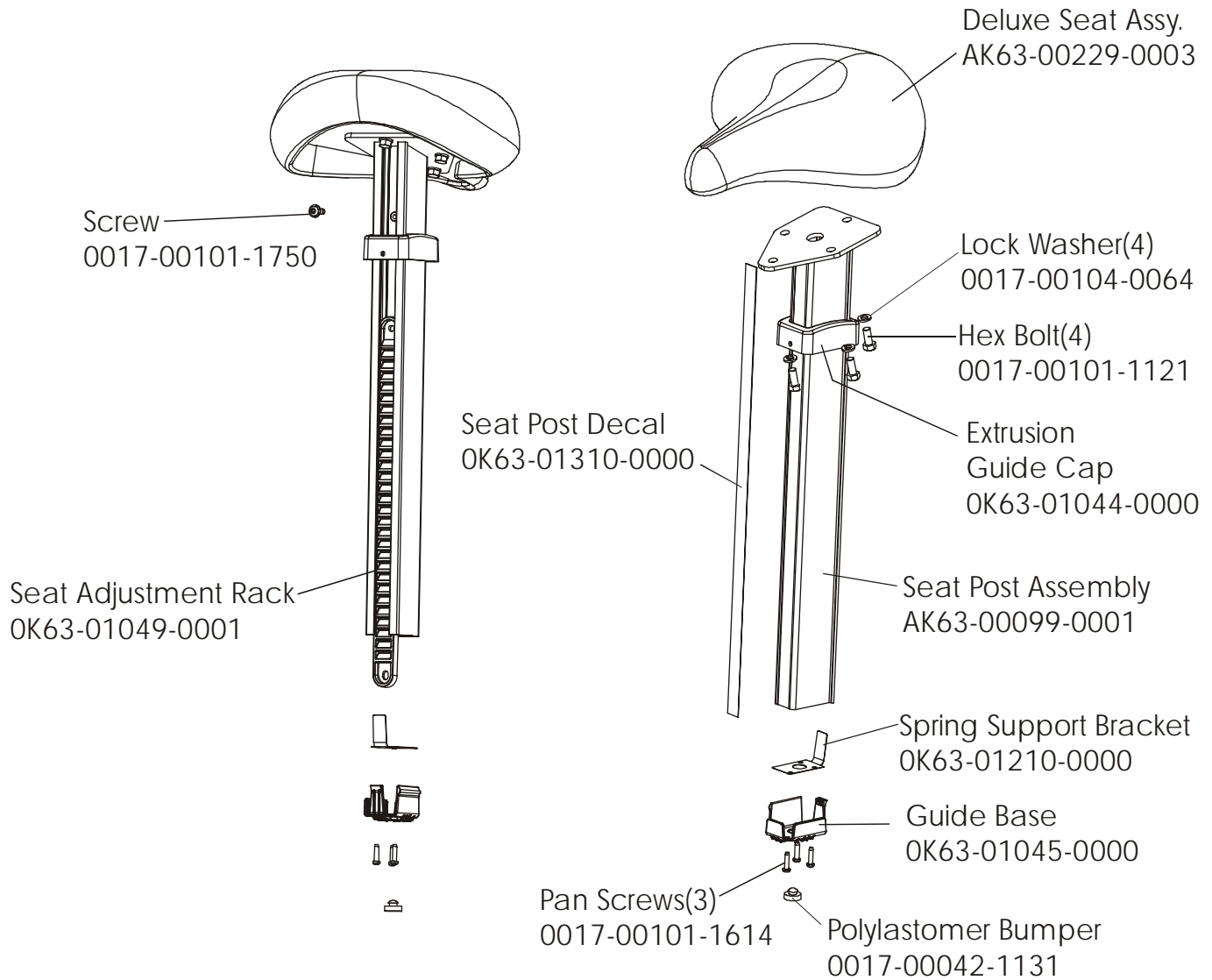


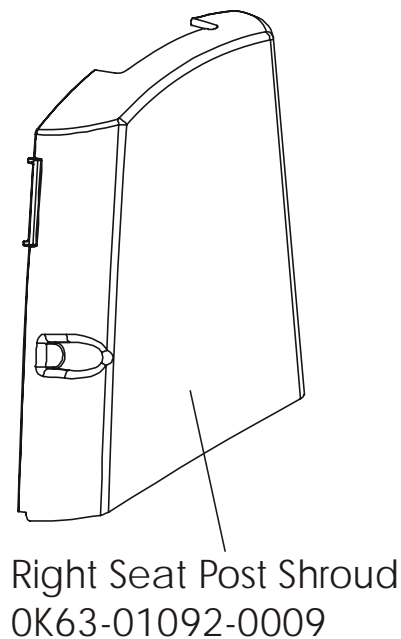
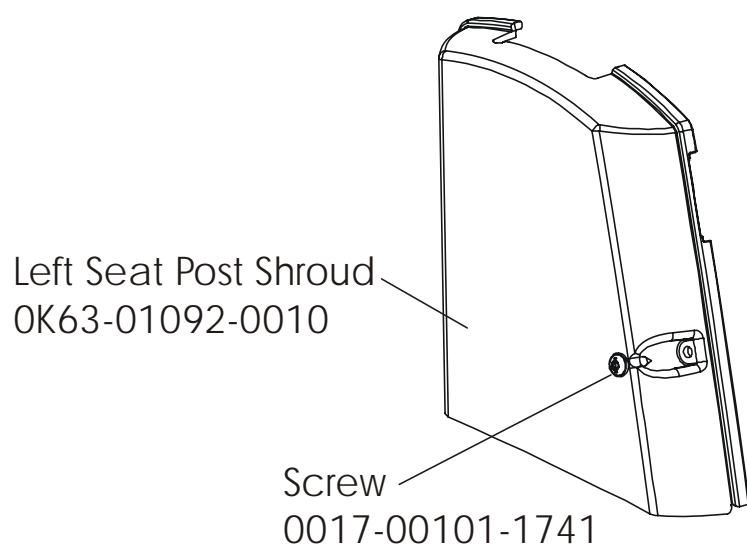
# ARCTIC SILVER 95CW

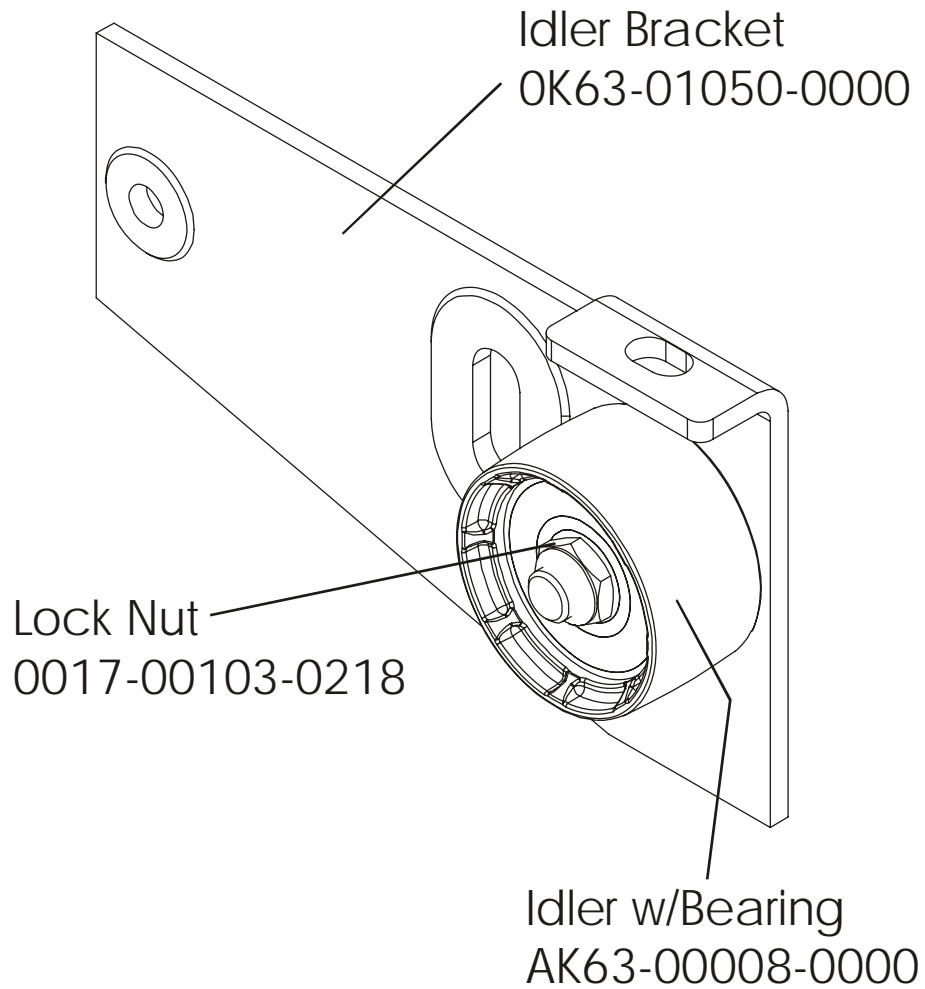
## Seat Post Assembly – AK63-00232-0002

95CW-0XXX-02

S/N CCR100000 and UP

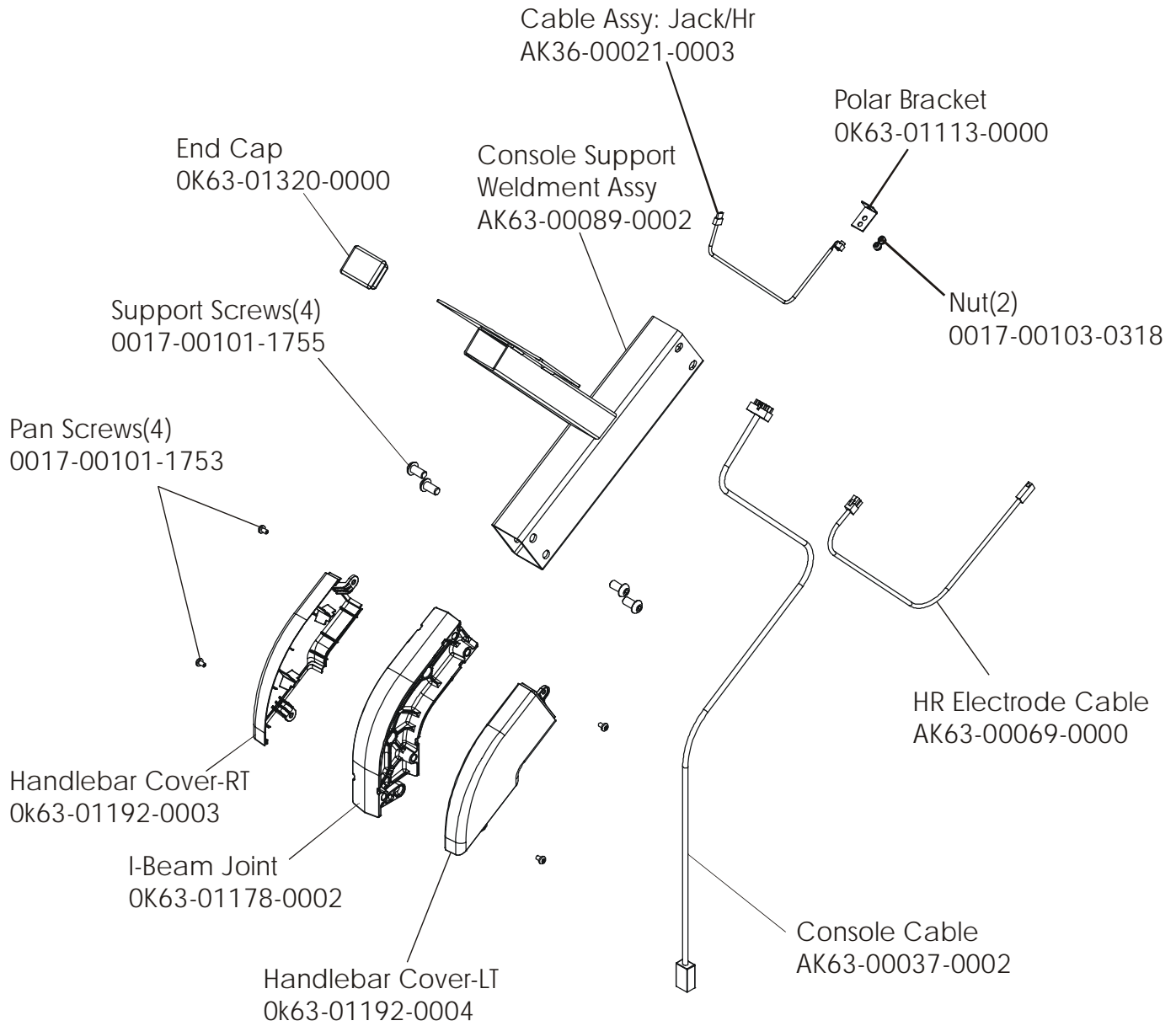






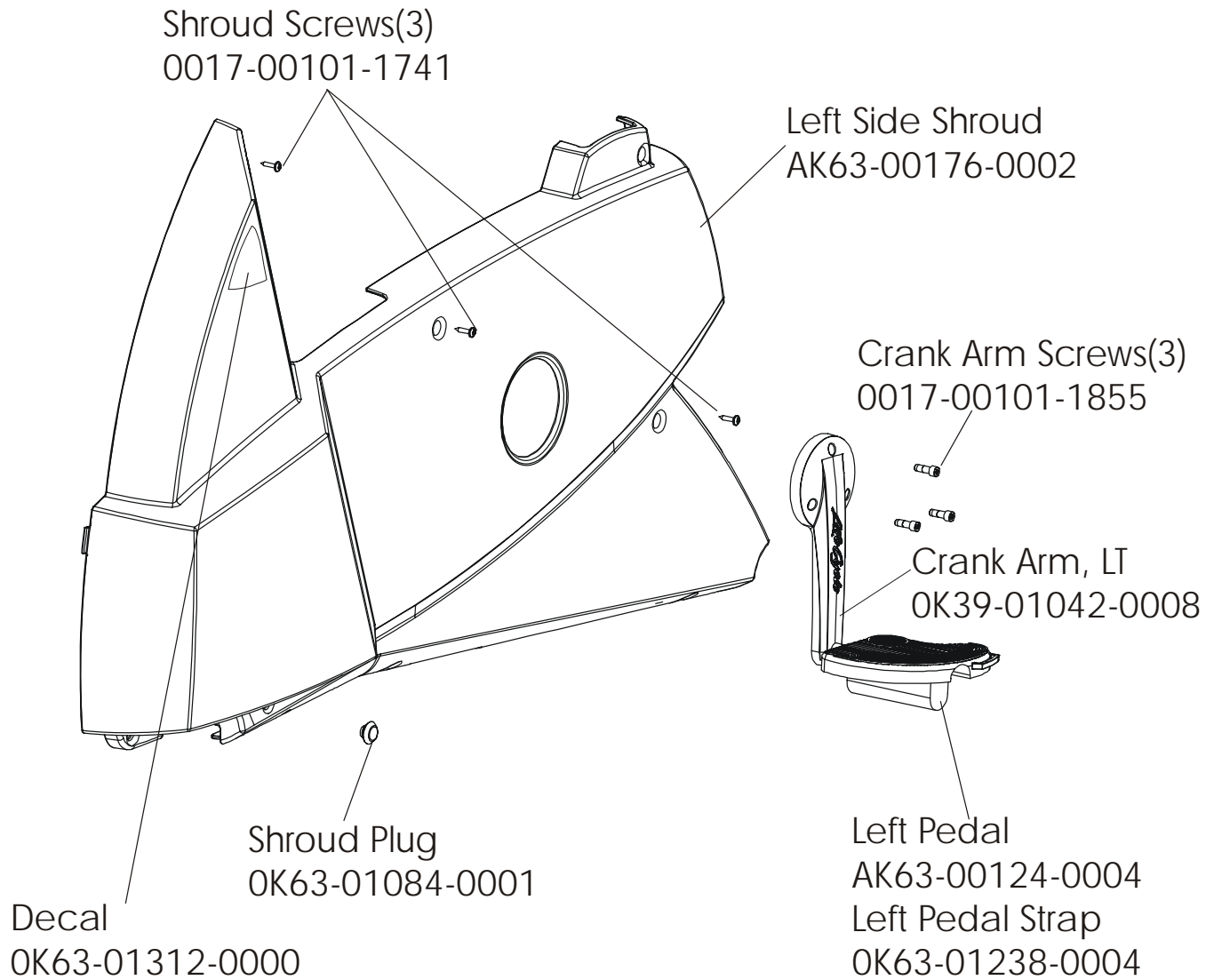
**ARCTIC SILVER 95CW**  
**Console Support Assembly**

**95CW-0XXX-02**  
**S/N CCR10000 and UP**



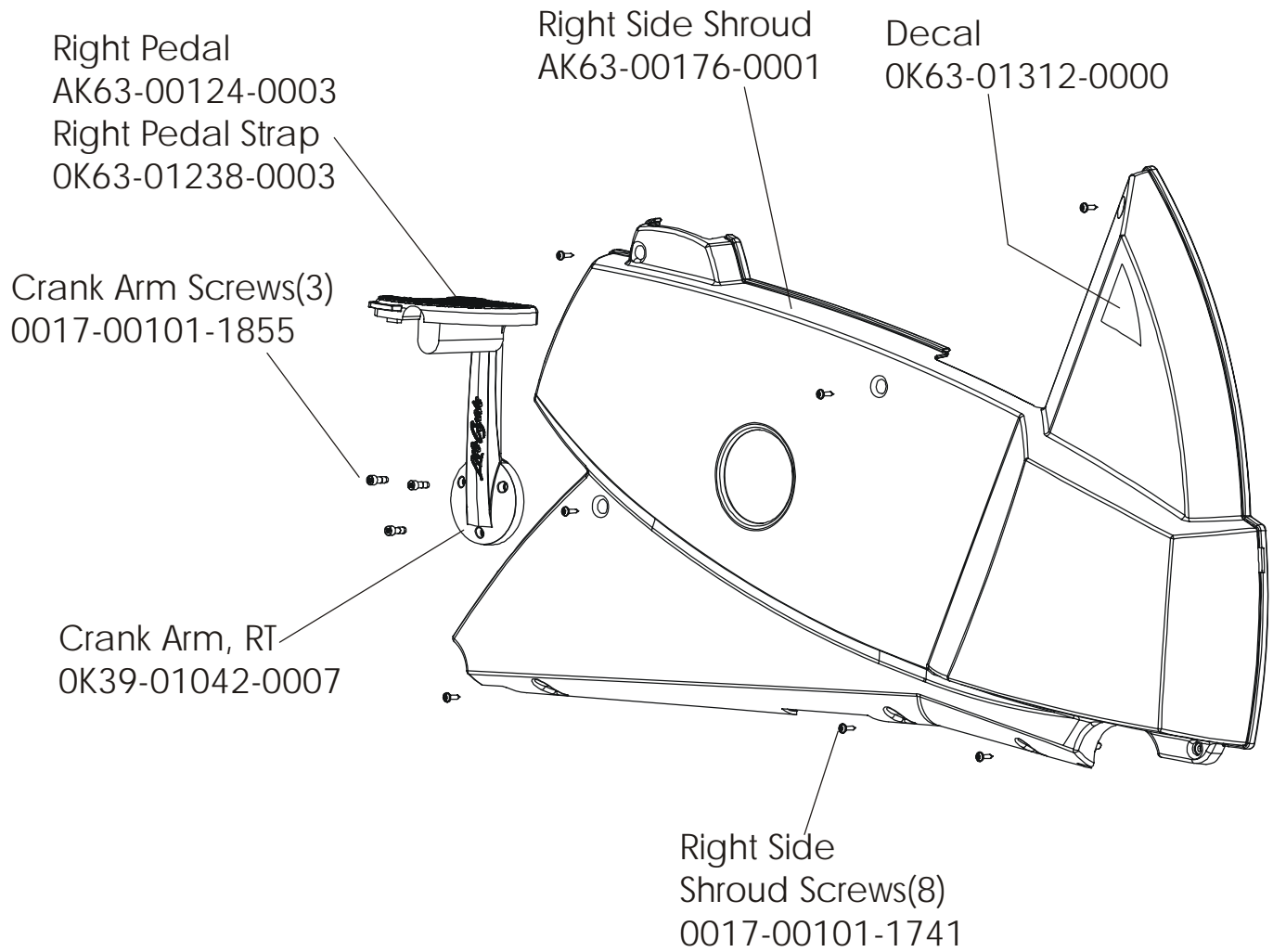
**ARCTIC SILVER 95CW**  
**Left Side Shroud and Crankarm**

**95CW-0XXX-02**  
**S/N CCR100000 and UP**



**ARCTIC SILVER 95CW**  
**Right Side Shroud and Crankarm**

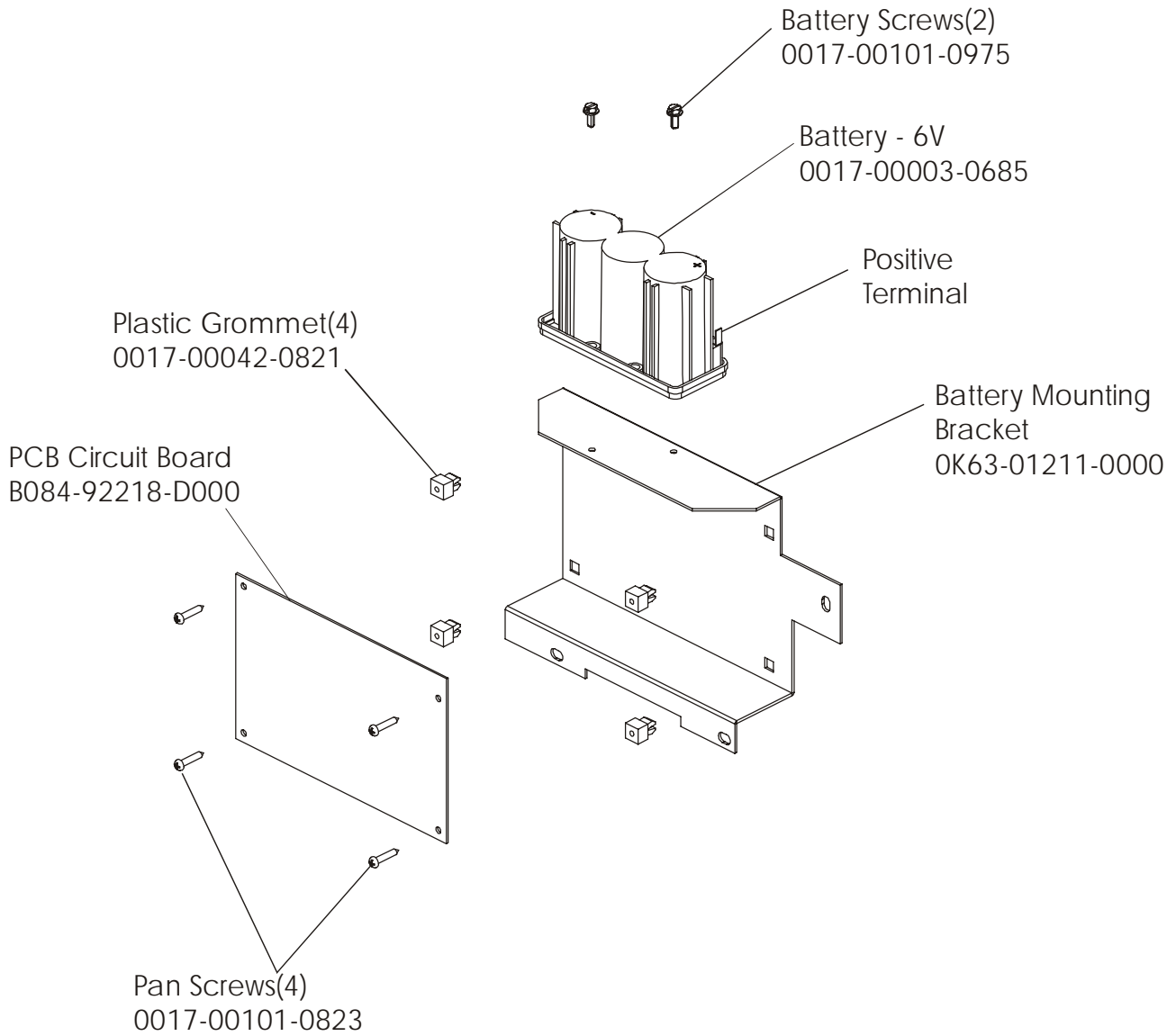
**95CW-0XXX-02**  
**S/N CCR100000 and UP**



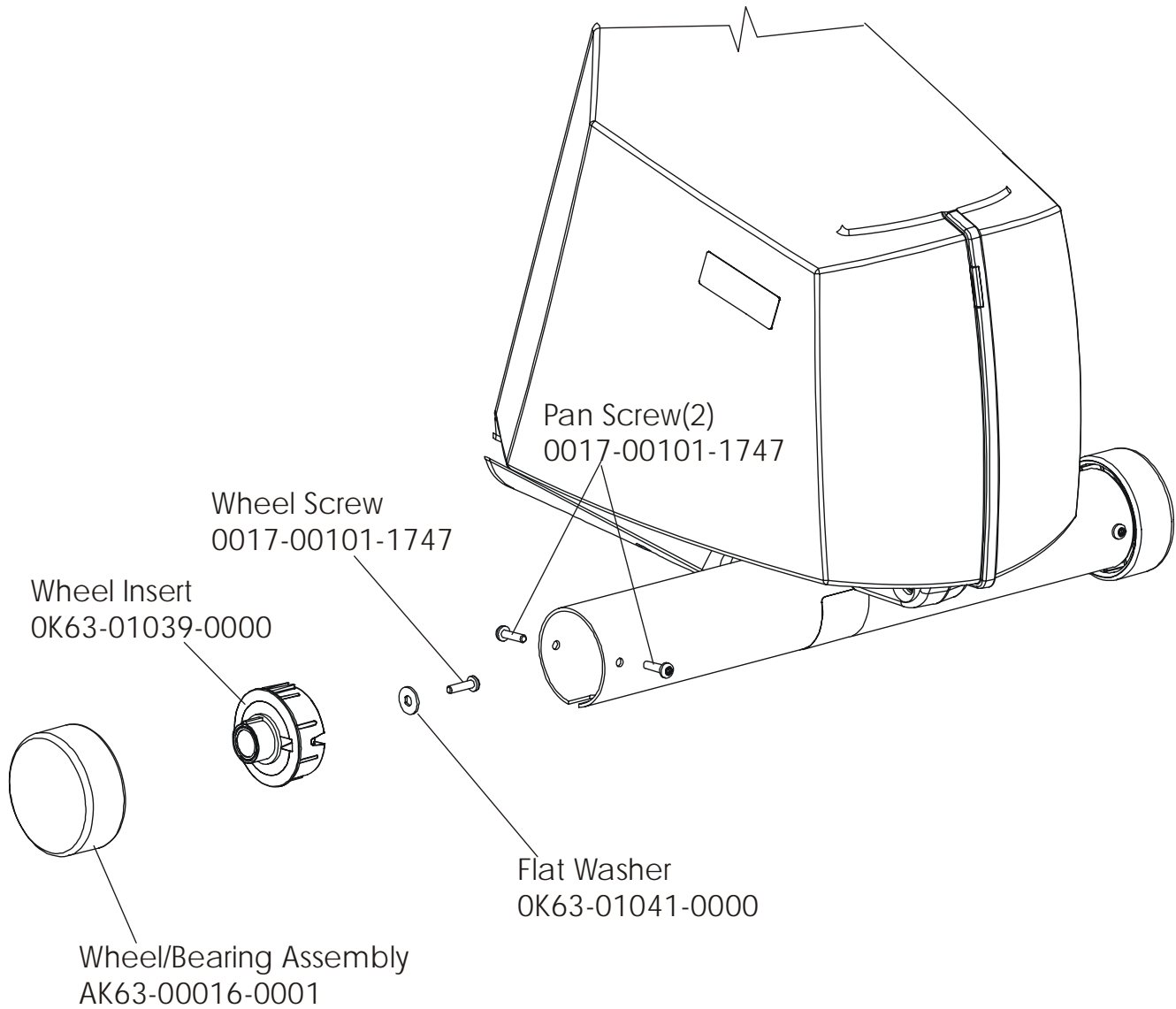
**ARCTIC SILVER 95CW**  
**PCB Mounting Bracket Assembly**

**95CW-0XXX-02**  
**S/N CCR100000 and UP**

Assembly Number – AK63-00049-0000

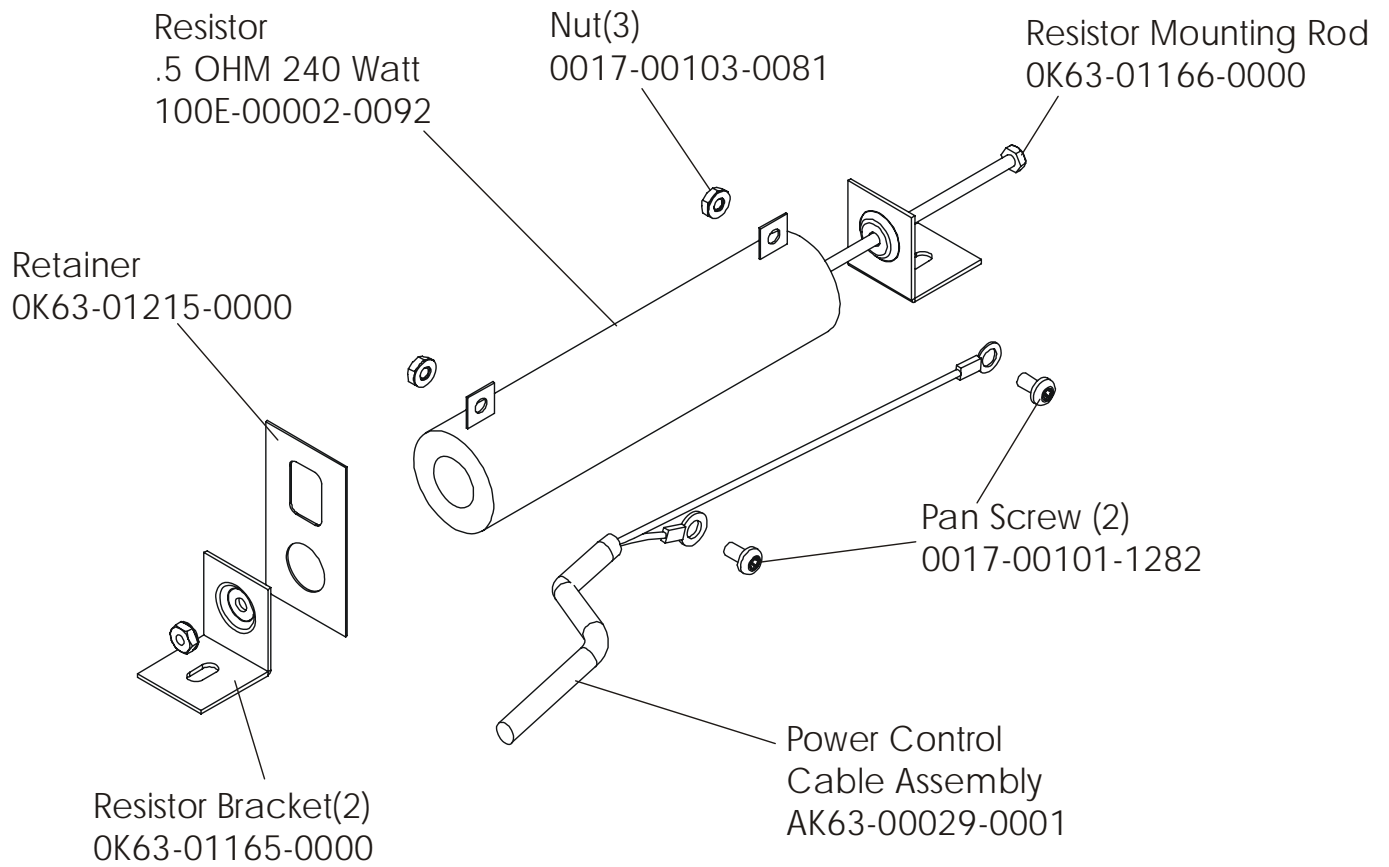






**ARCTIC SILVER 95CW**  
**Resistor Assembly- AK63-00047-0001**

**95CW-0XXX-02**  
**S/N CCR100000 and UP**

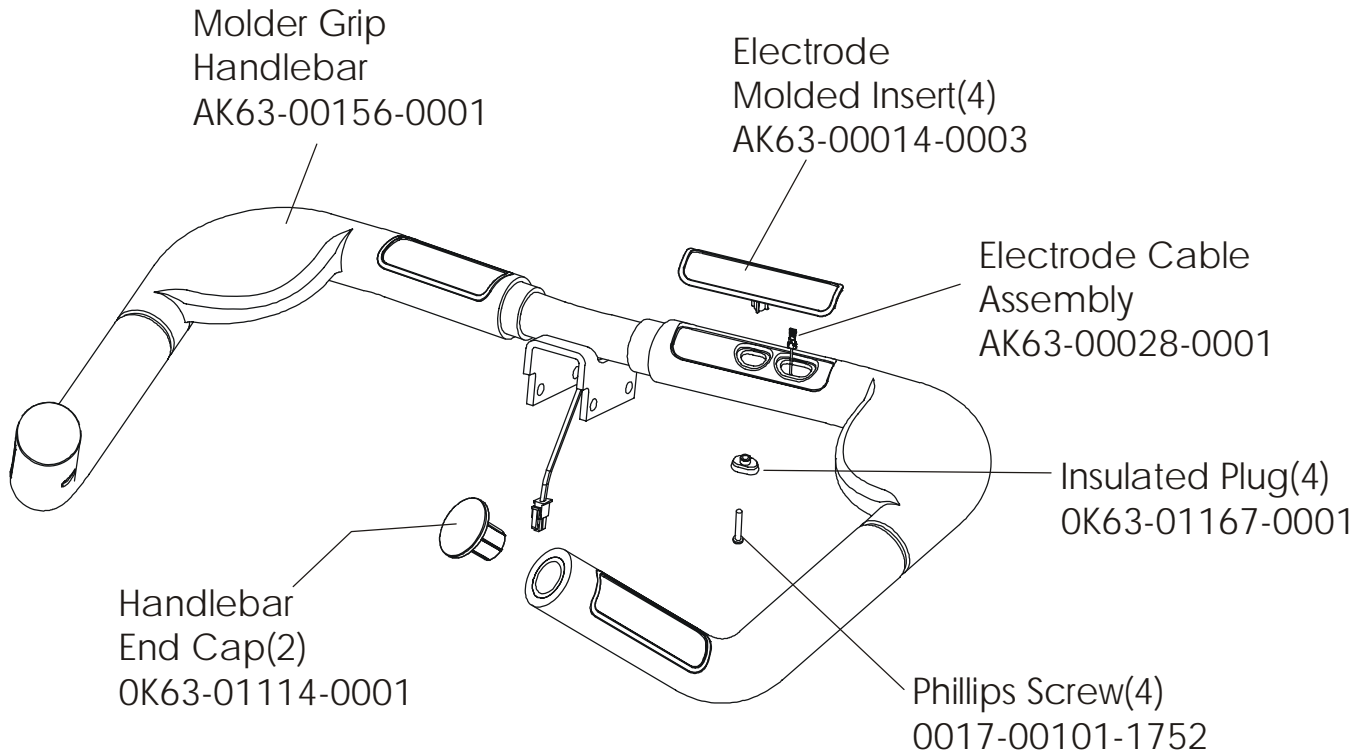


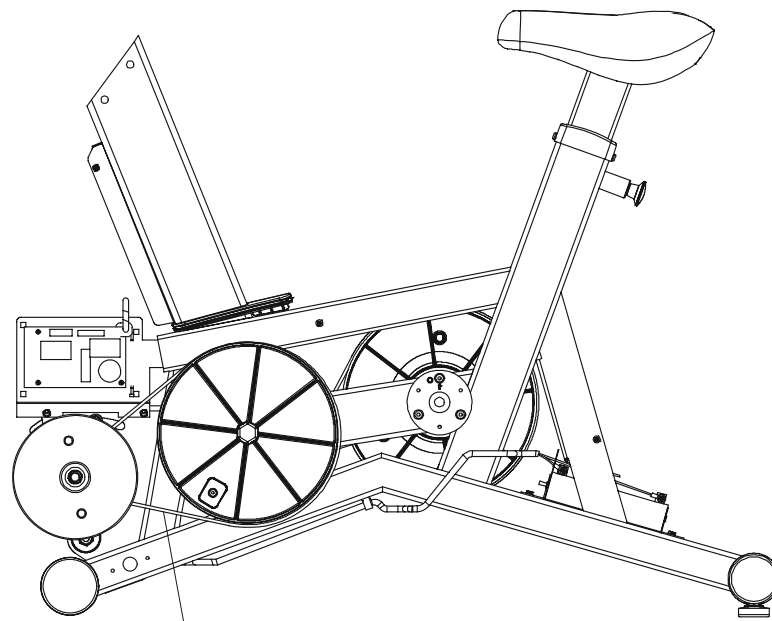
**ARCTIC SILVER 95CW**

**Handlebar Assembly - AK63-00091-0001**

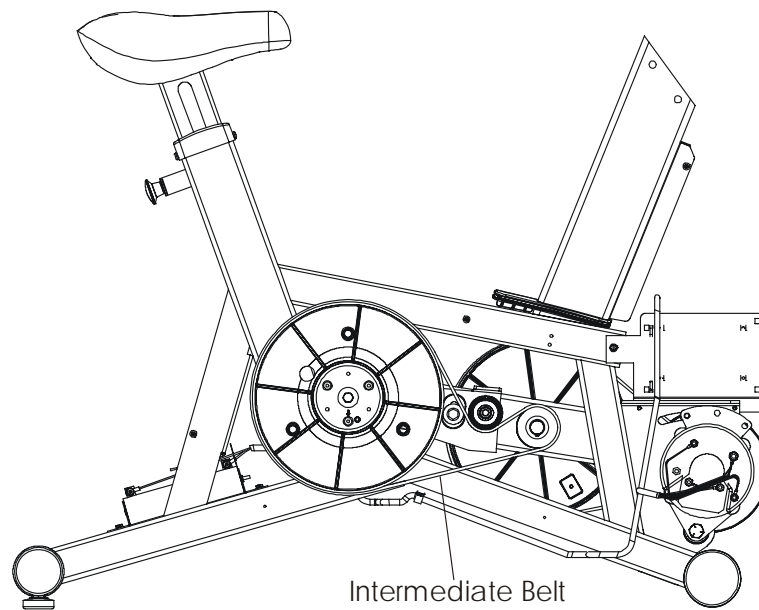
**95CW-0XXX-02**

**S/N CCR100000 and UP**



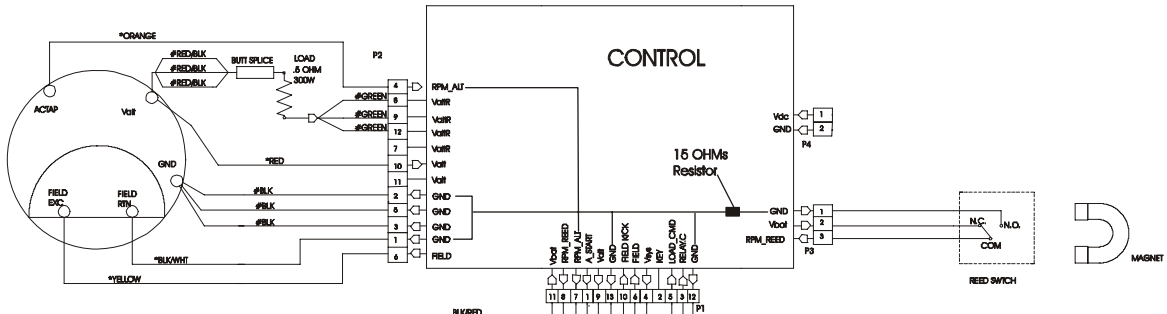


Alternator Belt  
OK63-01065-0000

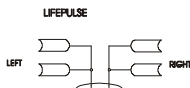


Intermediate Belt  
OK63-01066-0001

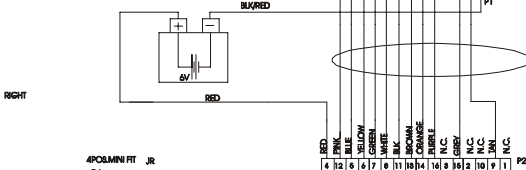
### CABLE ASSEMBLY POWER CONTROL TO ALTERNATOR AK63-00029-0001



### CABLE ASSEMBLY AK63-00028-0001

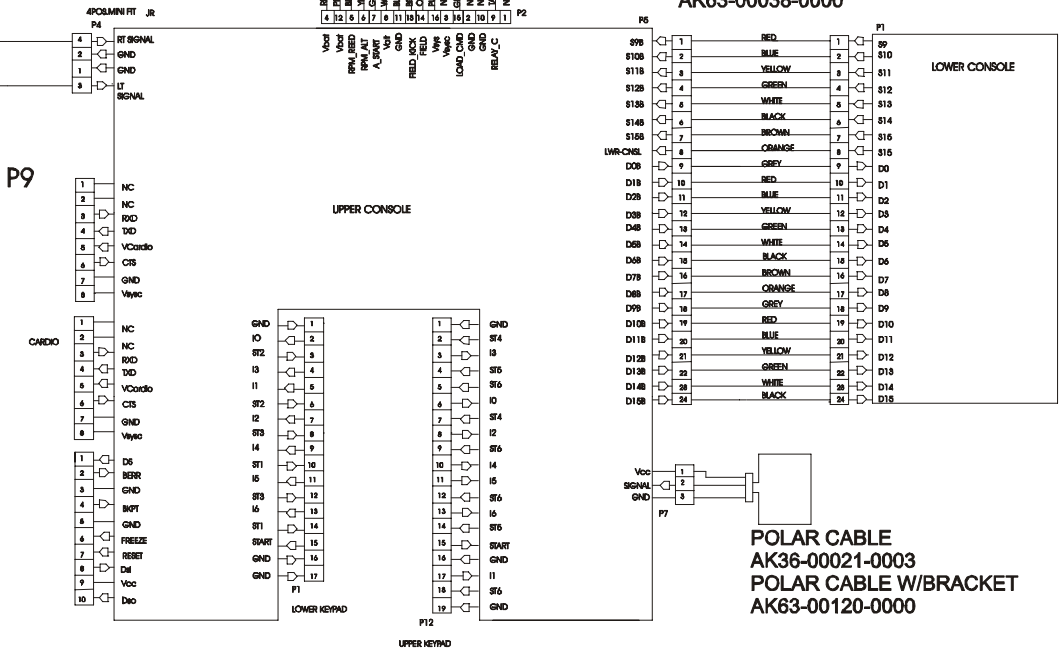


### LIFE PULSE EXTENSION AK63-00069-0000



### CONSOLE TO ACB CABLE AK63-00037-0002

### LOWER CONSOLE CABLE AK63-00038-0000



## Free Manuals Download Website

<http://myh66.com>

<http://usermanuals.us>

<http://www.somanuals.com>

<http://www.4manuals.cc>

<http://www.manual-lib.com>

<http://www.404manual.com>

<http://www.luxmanual.com>

<http://aubethermostatmanual.com>

Golf course search by state

<http://golfingnear.com>

Email search by domain

<http://emailbydomain.com>

Auto manuals search

<http://auto.somanuals.com>

TV manuals search

<http://tv.somanuals.com>