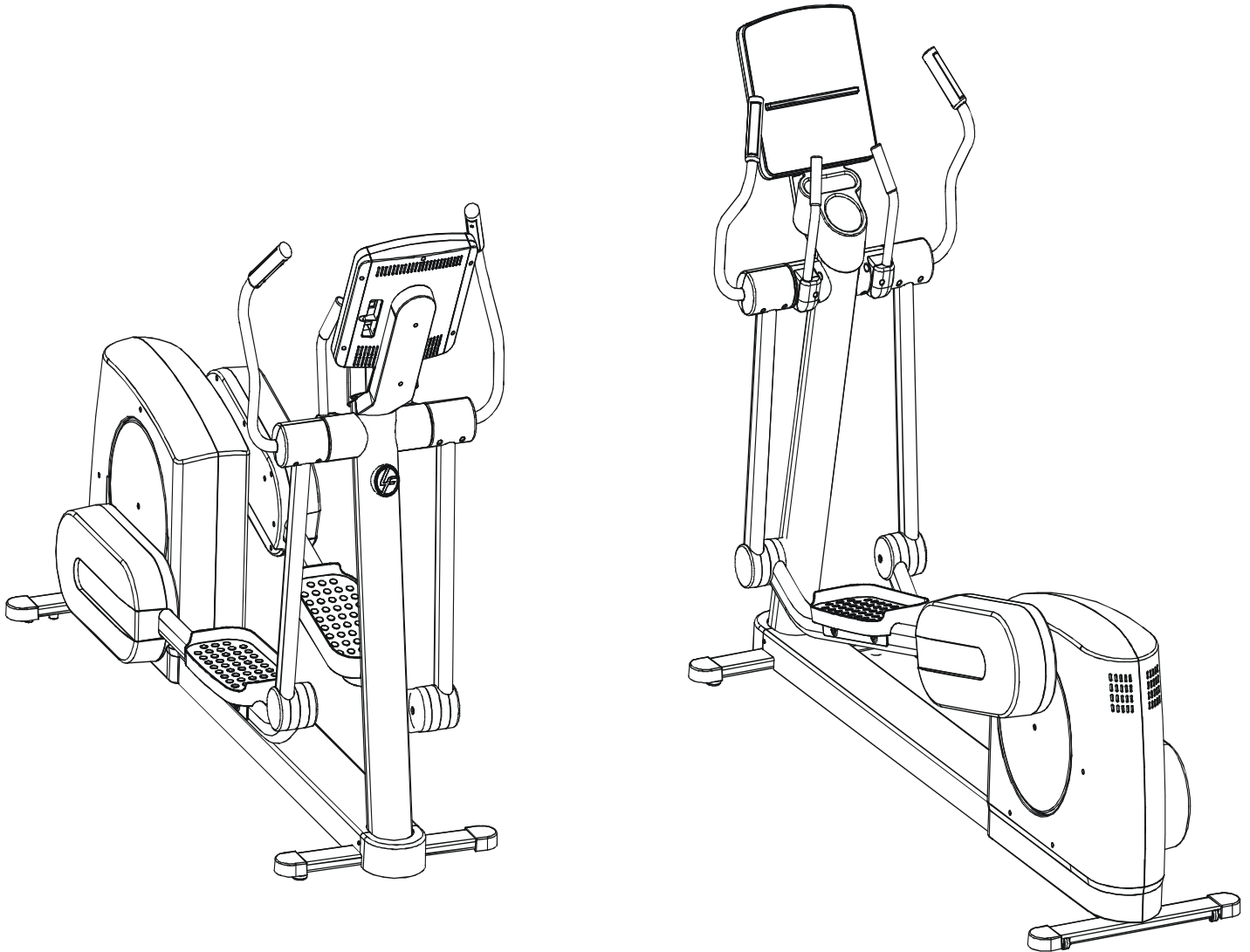


# LifeFitness

**ARCTIC SILVER QUIET DRIVE  
CROSS TRAINER 90X-0XXX-03  
(MADE IN HUNGARY)**



## **Customer Support Services PARTS MANUAL**

30 Jul 2008

**ARCTIC SILVER QUIET DRIVE 90X**  
**REFERENCES**

**90X-0XXX-03**  
**S/N XHA504206206**

OPERATION MANUAL	M051-00K62-A111
SERVICE MANUAL	M051-00K62-A149
TOUCH UP PAINT: SPRAY CAN .5 OZ BOTTLE W/APPLICATOR .33 OZ PEN	0017-00008-0204 0017-00008-0205 0017-00008-0206
HARDWARE BAG	AK62-00152-0001
PLUG IN OPTION 120/60	GK62-00002-0018
PLUG IN OPTION 240/50 UK	GK62-00002-0019
PLUG IN OPTION 240v AUS	GK62-00002-0020
PLUG IN OPTION 230/50 CONT.	GK62-00002-0021
C-SAFE KIT	GK63-00002-0003

	Page
CONSOLE SUPPORT & DEADSHAFT COVERS .....	4
HANDLEBARS AND BULLHORNS .....	5
CONSOLE AND RELATED COMPONENTS .....	6
UPPER FRAME HARDWARE .....	7
ROCKER ARMS AND PEDAL LEVERS .....	8
CRANK COVER AND LOWER CAPS .....	9
LOWER FRAME SHROUDS AND HARDWARE.....	10
PEDAL LEVER COMPONENTS .....	11
PCB, BATTERY, REED SWITCH & BRACKET .....	12
BEARING-INSERT ASSEMBLY .....	13
CRANK ARM PULLEY ASSEMBLY.....	14
DRIVE MODULE .....	15
DRIVE MODULE HARDWARE .....	16
CABLES .....	17

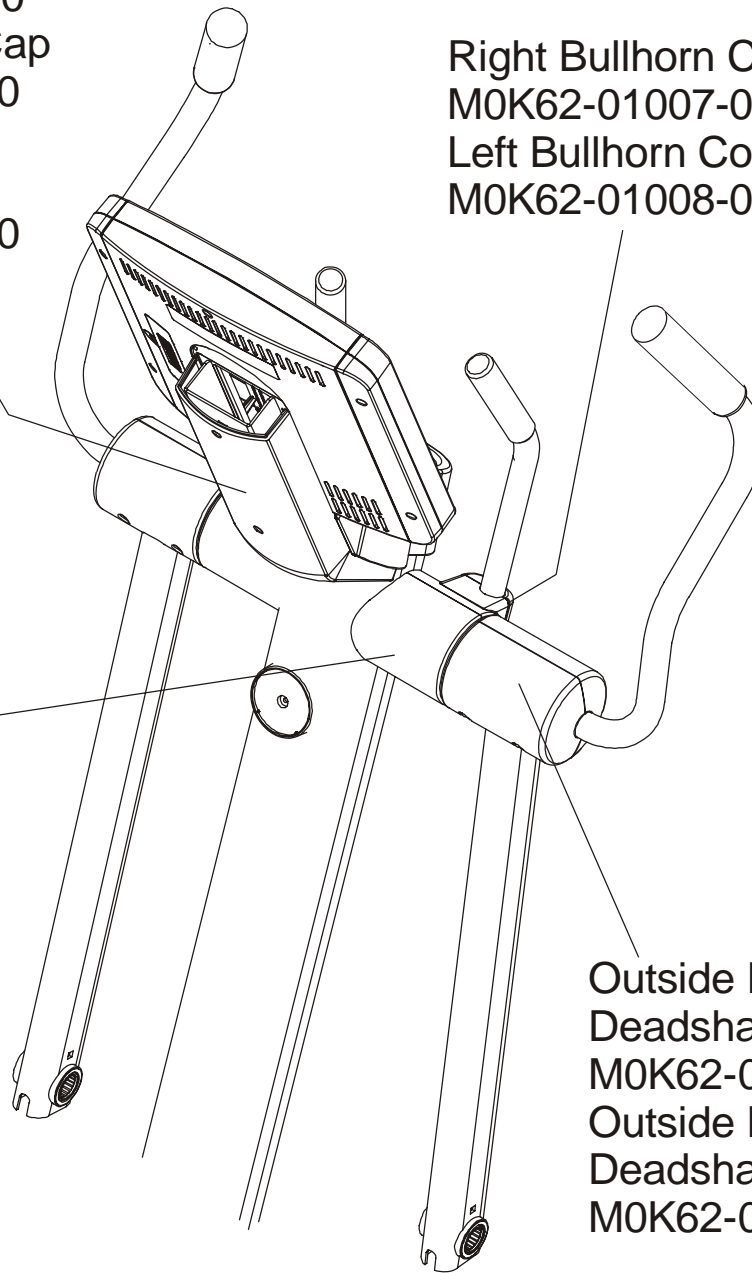
**Note: The 93X has Telemetry only.**

Console Support  
MAK62-00123-0000  
Console Support Cap  
MOK62-01030-0000  
Console Support  
Shroud  
MOK62-01023-0000

Right Bullhorn Cover  
MOK62-01007-0001  
Left Bullhorn Cover  
MOK62-01008-0001

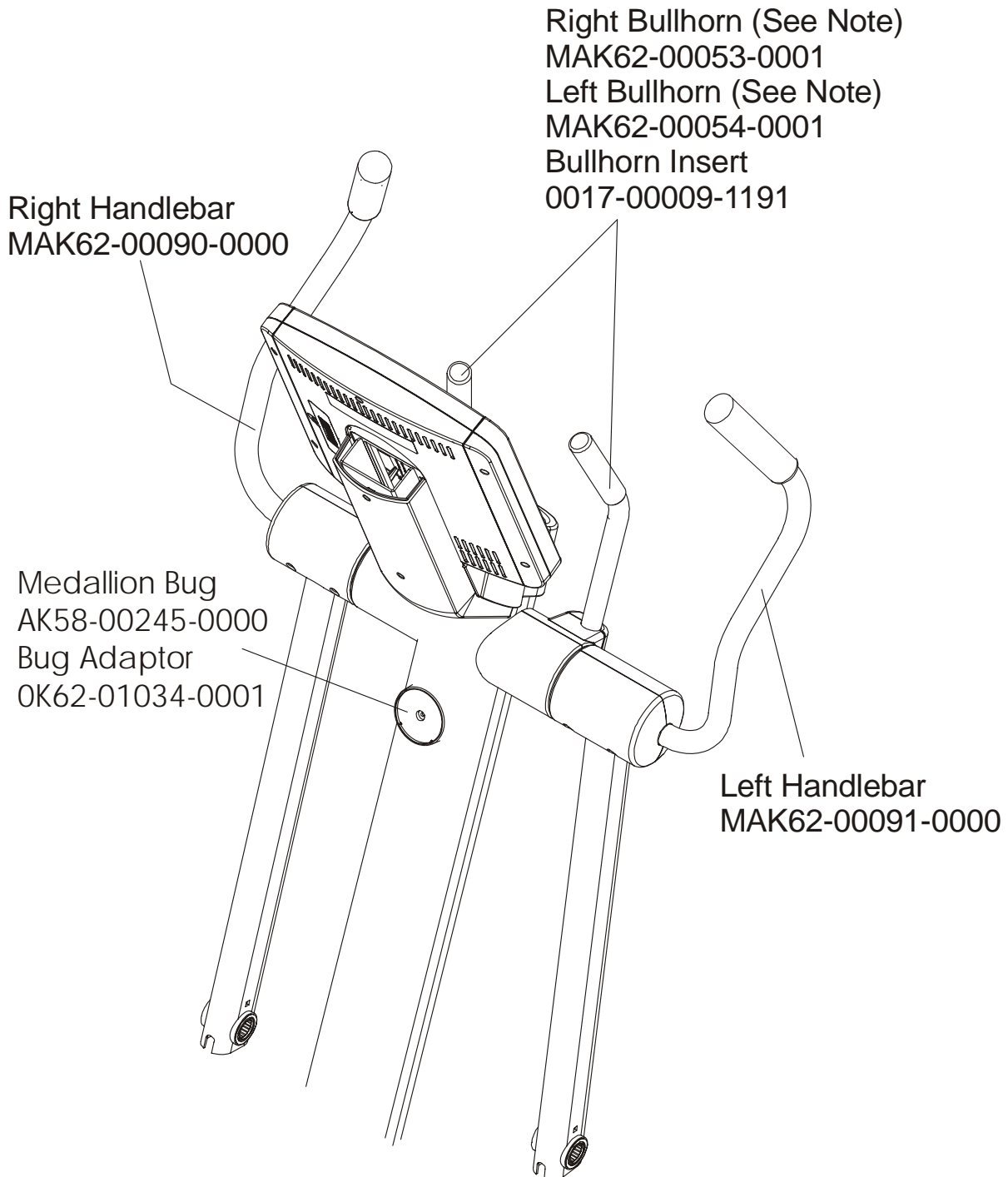
Right Inside  
Deadshaft Cover  
MOK62-01010-0000  
Left Inside  
Deadshaft Cover  
MOK62-01011-0000  
2-Front Inside  
Deadshaft Cover  
OK62-01009-0000

Outside Front  
Deadshaft Cover (2)  
MOK62-01013-0000  
Outside Rear  
Deadshaft Cover (2)  
MOK62-01012-0000



**ARCTIC SILVER QUIET DRIVE 90X**  
**Handlebars and Bullhorns**

**90X-0XXX-03**  
**S/N XHA504206206**

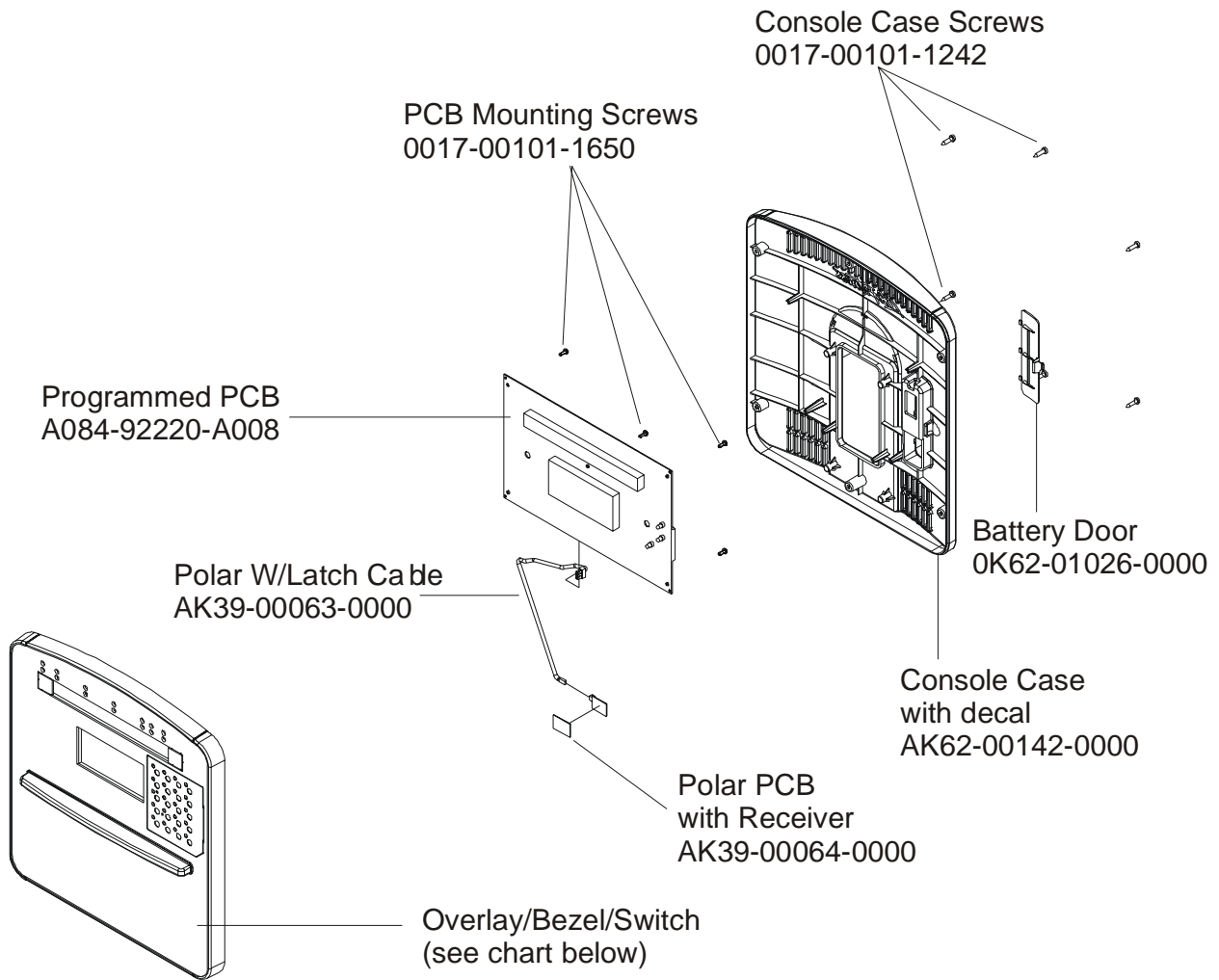


NOTE: The Right Bullhorn Assembly consists of: AK62-00057-0001 Bullhorn, MOK62-01136-0000 Grip, and MOK62-01199-0000 Gasket.

NOTE: The Left Bullhorn Assembly consists of: AK62-00058-0001 Bullhorn, MOK62-01136-0000 Grip and MOK62-01199-0000 Gasket

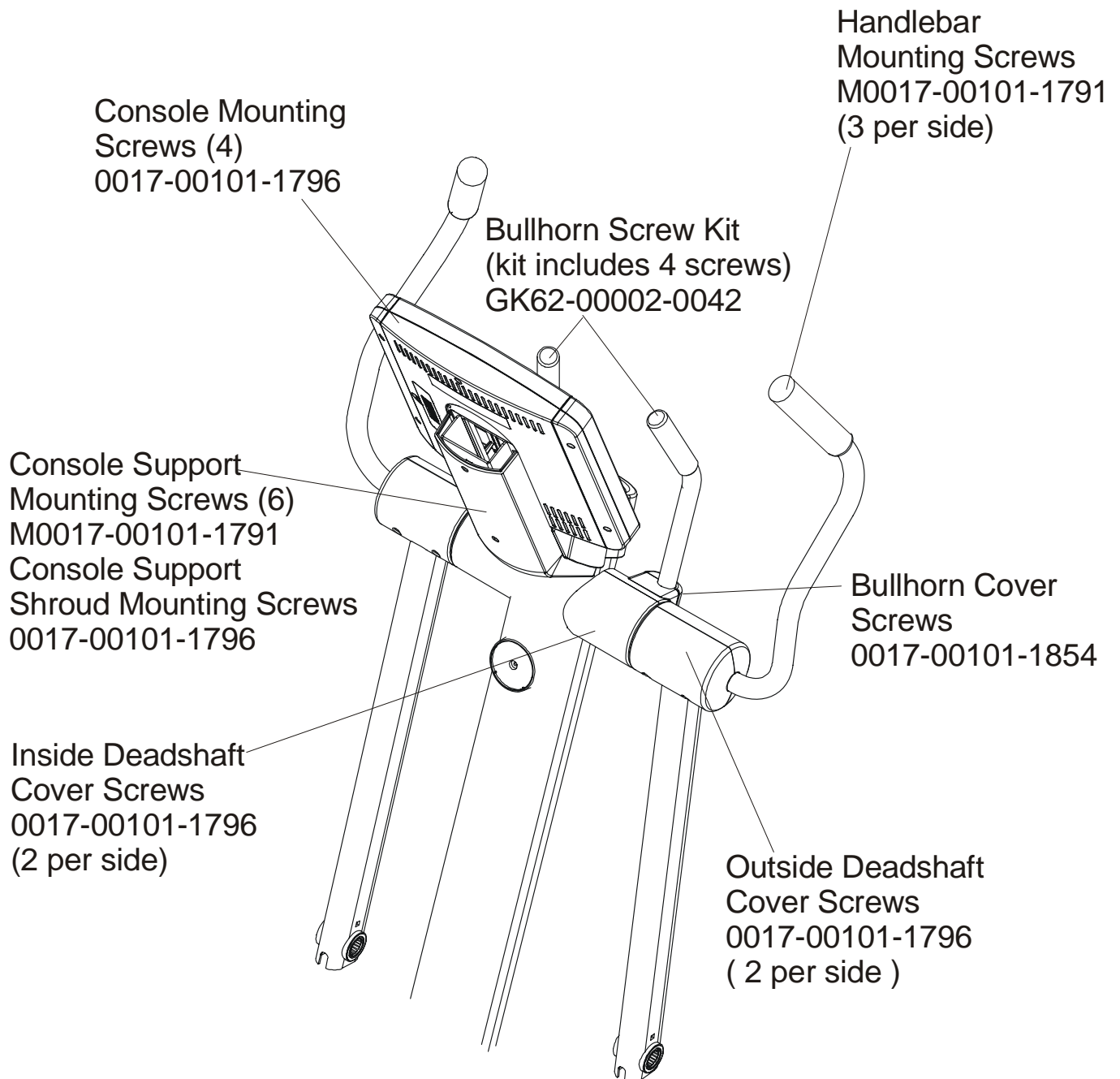
**ARCTIC SILVER QUIET DRIVE 90X**  
**Console & Related components**

**90X-0XXX-03**  
**S/N XHA504206206**



CONSOLE	OVERLAY/BEZEL/SWITCH	LANGUAGE
AK62-00147-0000	AK62-00189-0001	Multi
AK62-00147-0002	AK62-00189-0006	Jap/Met

Items Not Shown	
Accessory Tray	M0K62-01022-0000
Accessory Tray Mounting Screws (2)	0017-00101-1846



# ARCTIC SILVER QUIET DRIVE 90X

## Rocker Arms & Pedal Levers

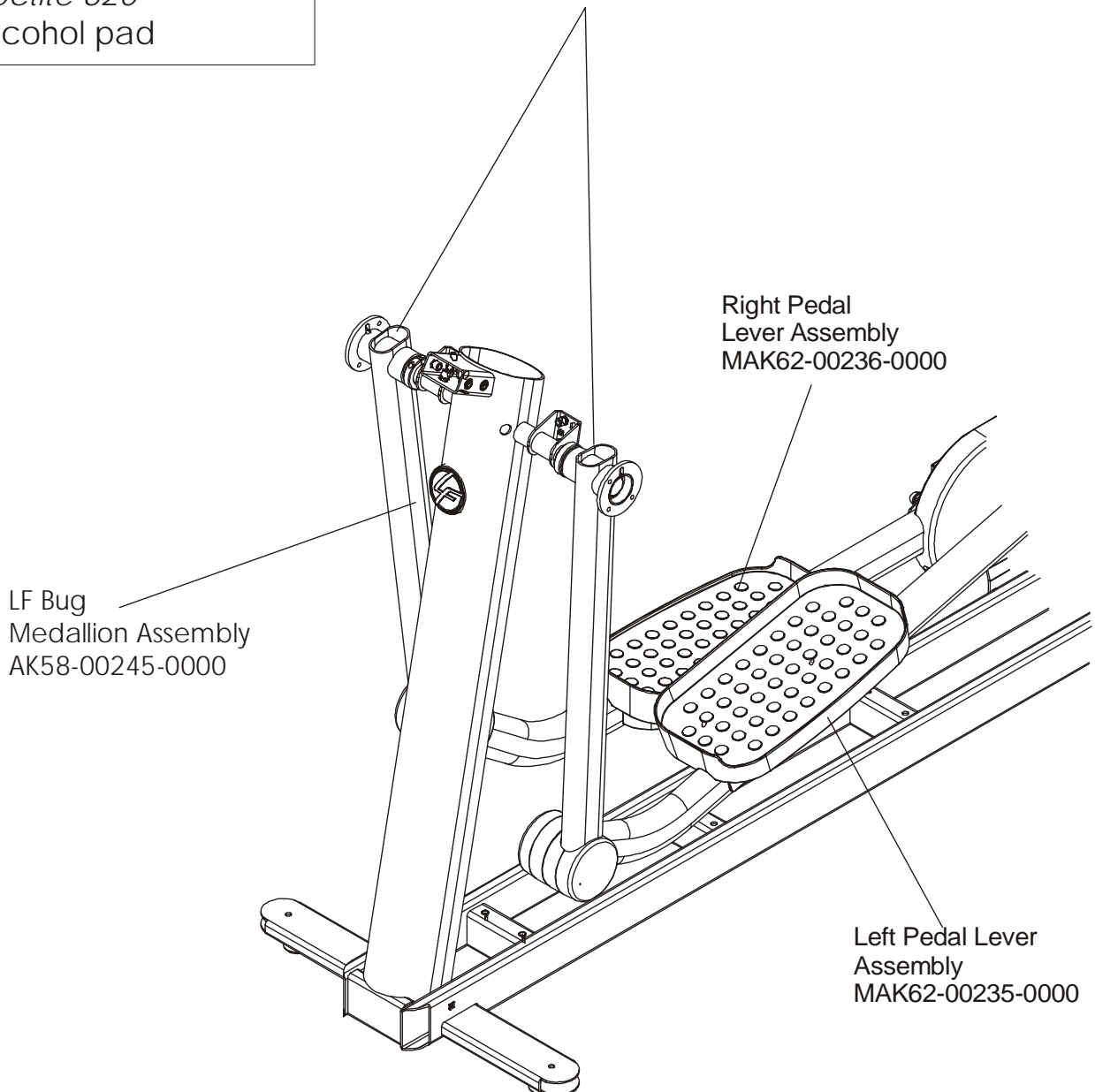
90X-0XXX-03

S/N XHA504206206

Rocker Arms Kit  
GK62-00002-0070  
contents:

- Rocker Arms (2)
- Hardened Spacers (2)
- Oilite Washers (2)
- Retaining Rings (2)
- Loctite 620*
- Alcohol pad

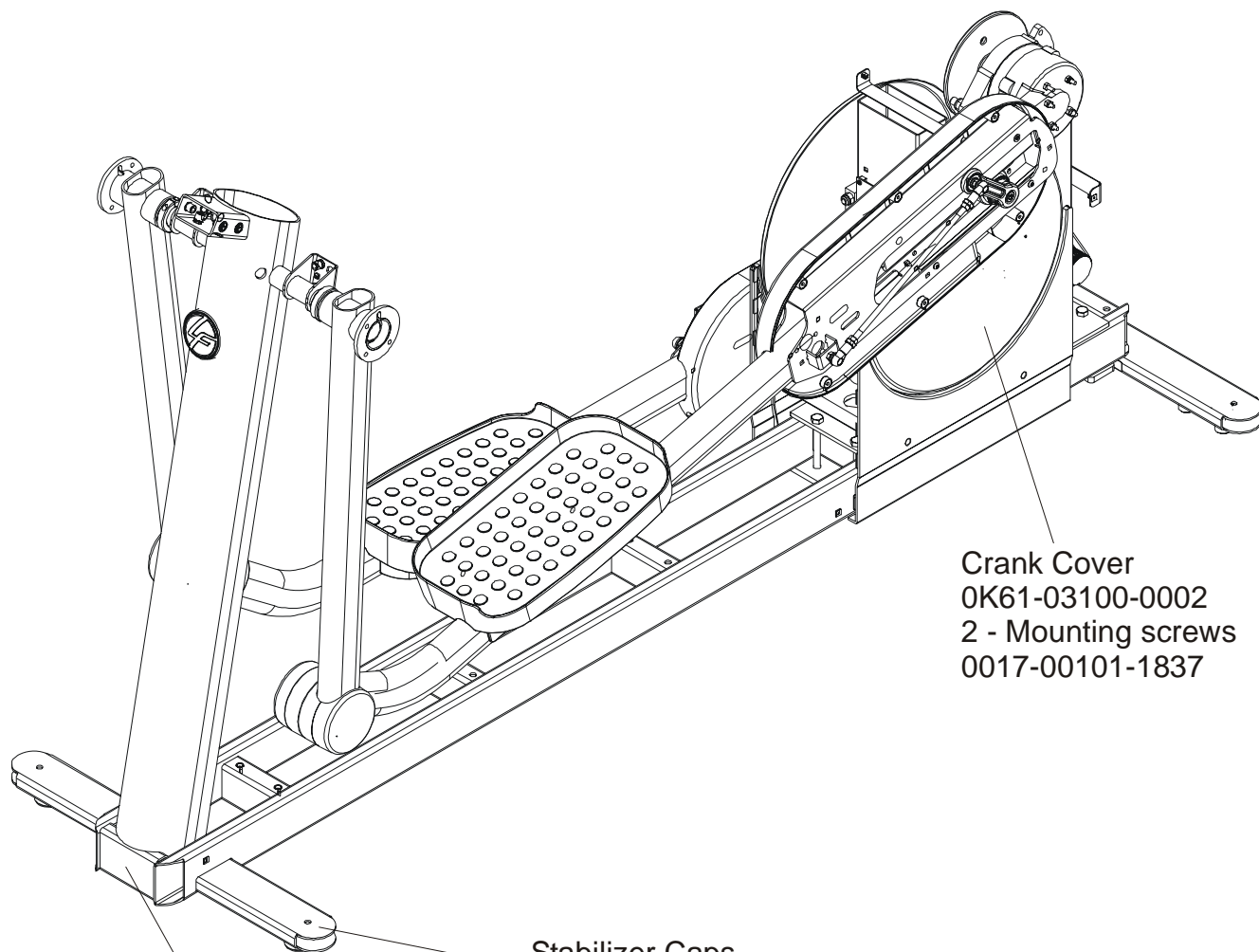
Rocker Arms  
AK62-00002-0070  
Shaft Collar w/Screws  
OK61-01259-0000





**ARCTIC SILVER QUIET DRIVE 90X**  
**Crank Cover and Lower Caps**

**90X-0XXX-03**  
**S/N XHA504206206**



Crank Cover  
OK61-03100-0002  
2 - Mounting screws  
0017-00101-1837

Stabilizer Caps  
4 - OK62-01003-0000

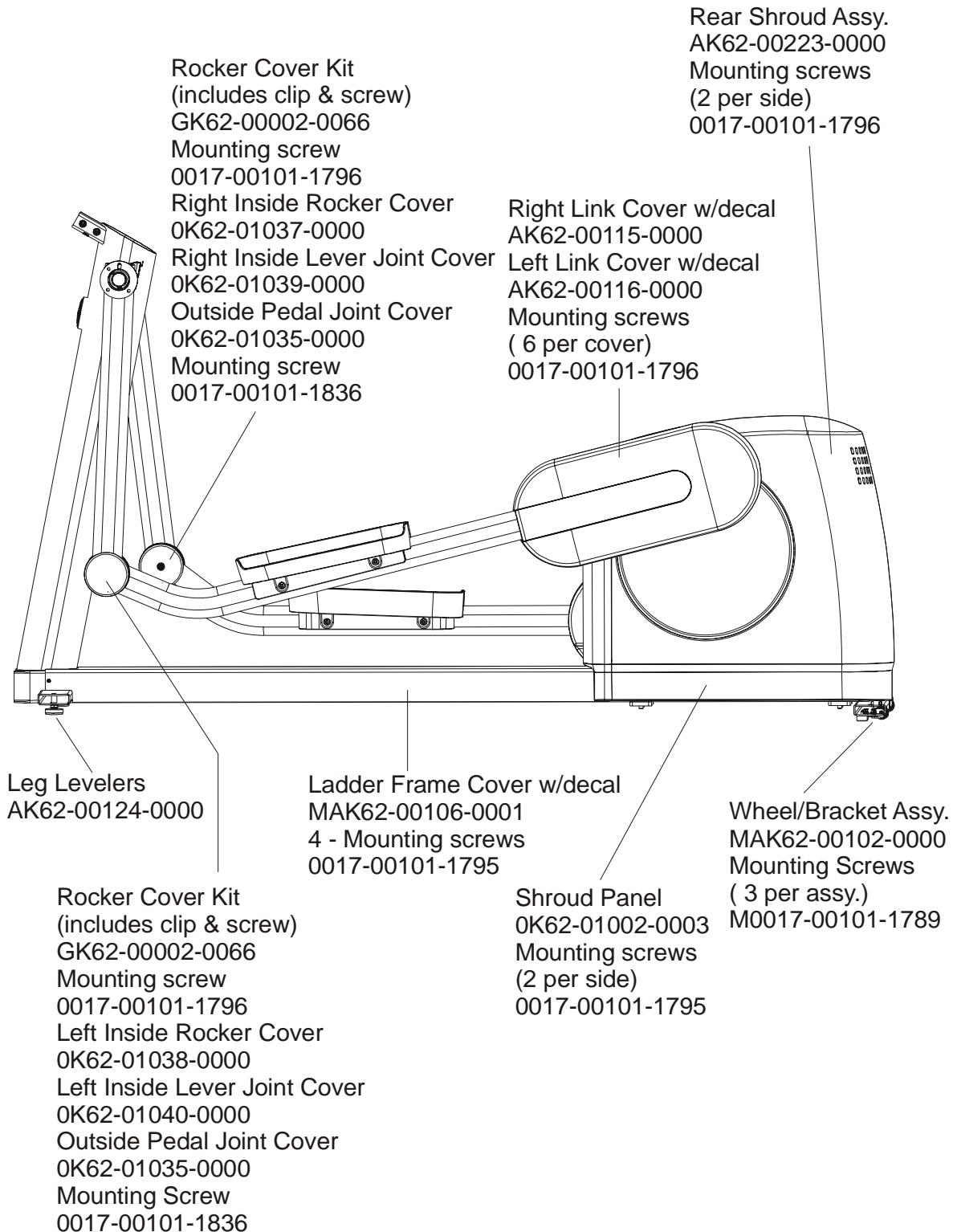
Front frame Cap  
MOK62-01004-0000  
Mounting Screws  
(Located on front sides of Ladder Frame Cover)  
2- 0017-00101-1795

# ARCTIC SILVER QUIET DRIVE 90X

## Lower Frame Shrouds & Hardware

90X-0XXX-03

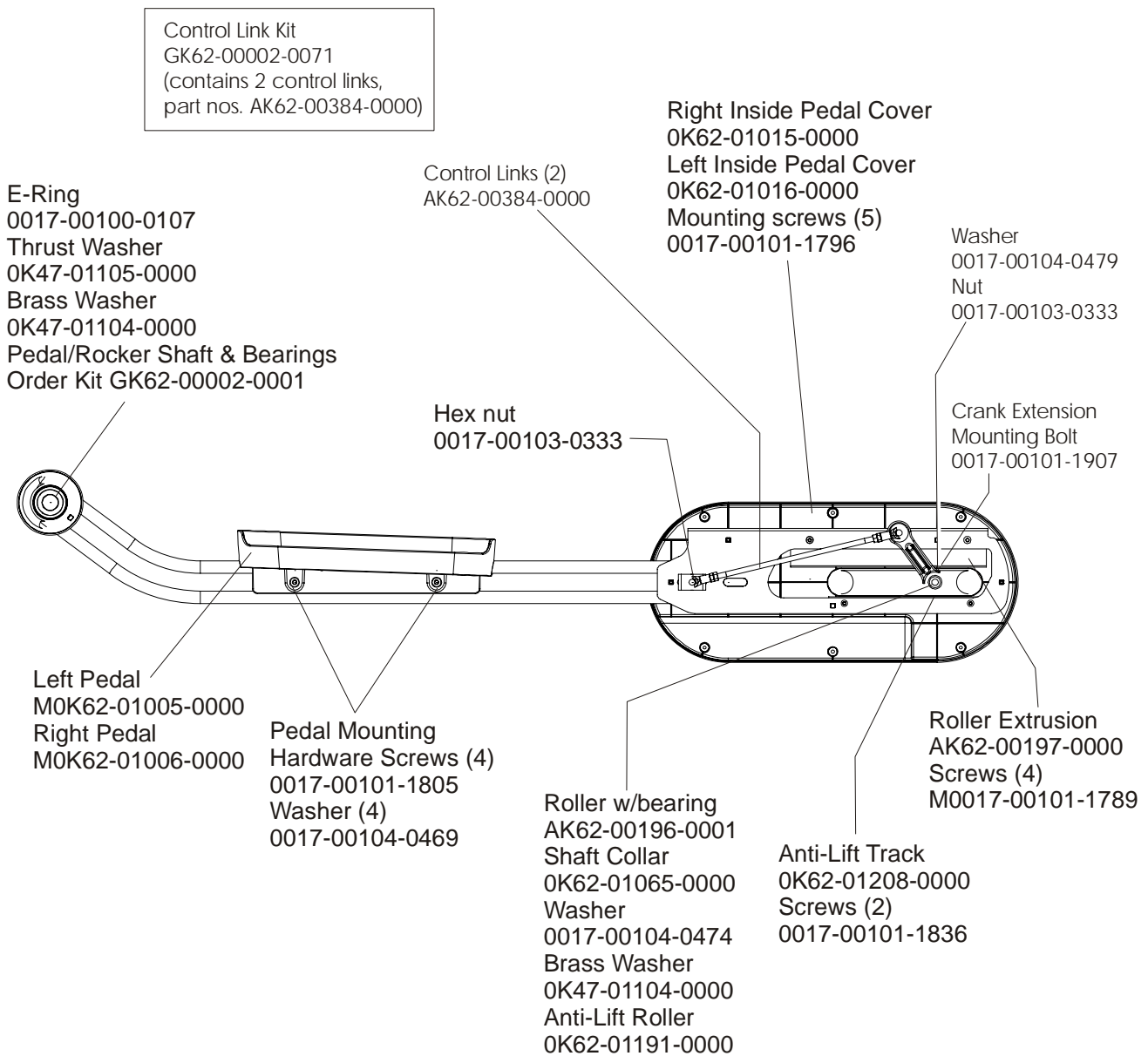
S/N XHA504206206



# ARCTIC SILVER QUIET DRIVE 90X

## Pedal Lever Assembly Components

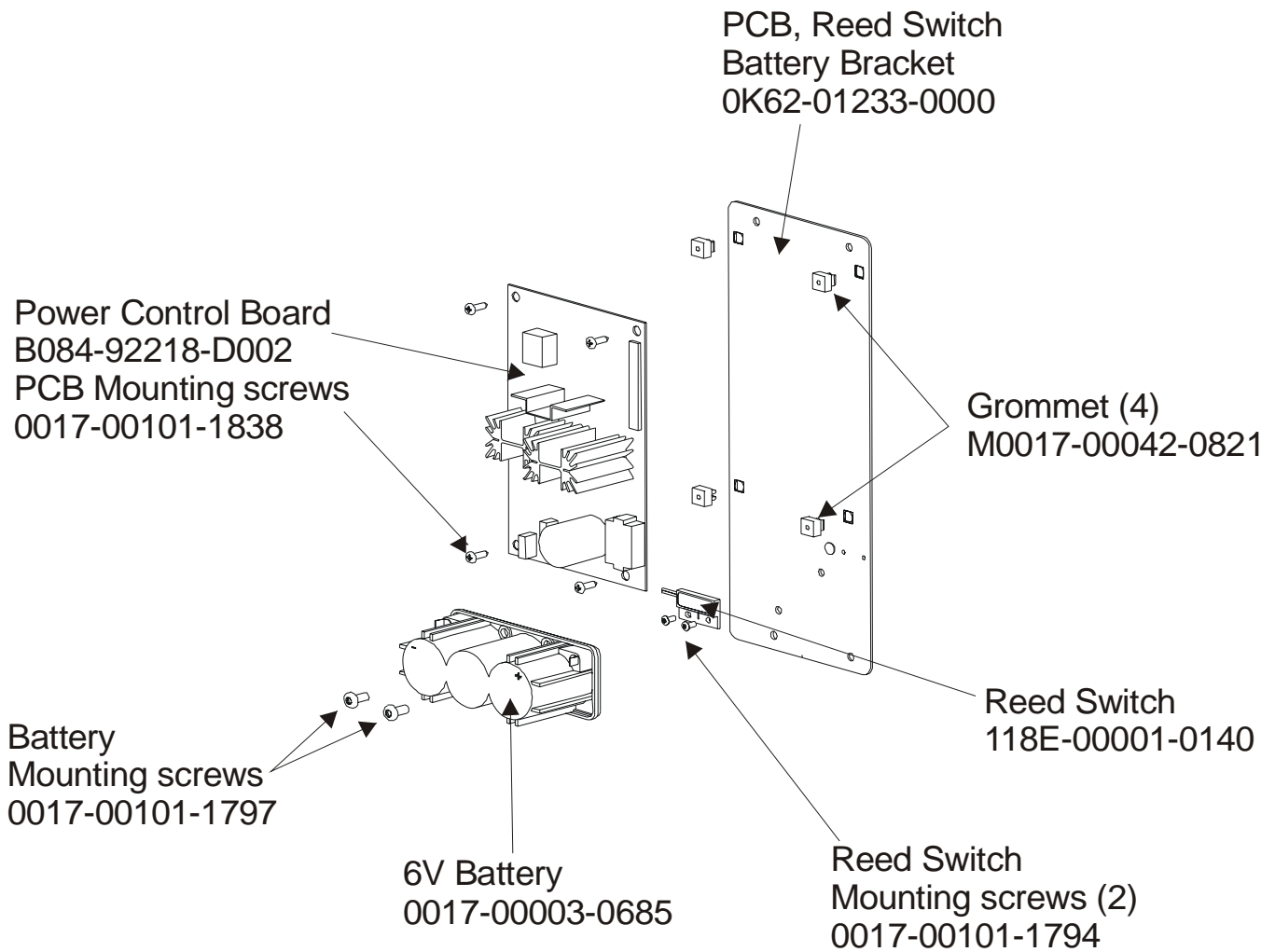
90X-0XXX-03  
S/N XHA504206206



Note: Units with old control link assemblies will require kit MGK62-00002-0015 when replacing either the tie rod assembly or the crank extension for the first time.

**ARCTIC SILVER QUIET DRIVE 90X**  
**PCB, Battery, Reed Switch & Bracket**

**90X-0XXX-03**  
**S/N XHA504206206**



This assembly is used 4 times on the drive module assembly.

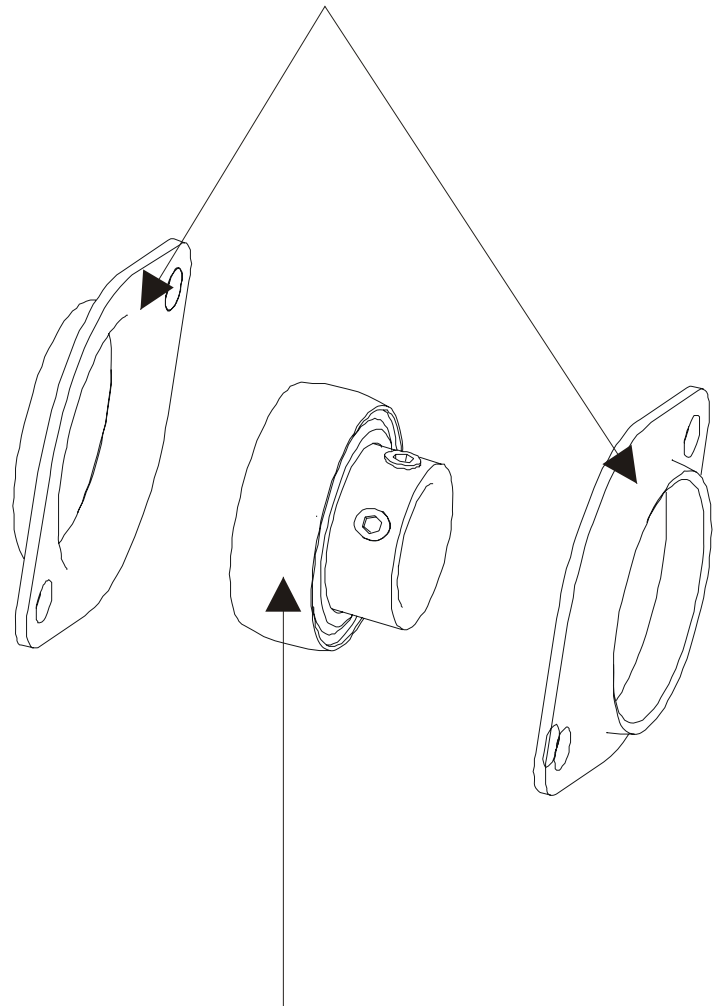
Service Kit-  
MGK62-00002-0044  
Includes:

- 1- crankshaft
- 2- bearings
- 2- sets of bearing flanges
- 4- nuts and washers

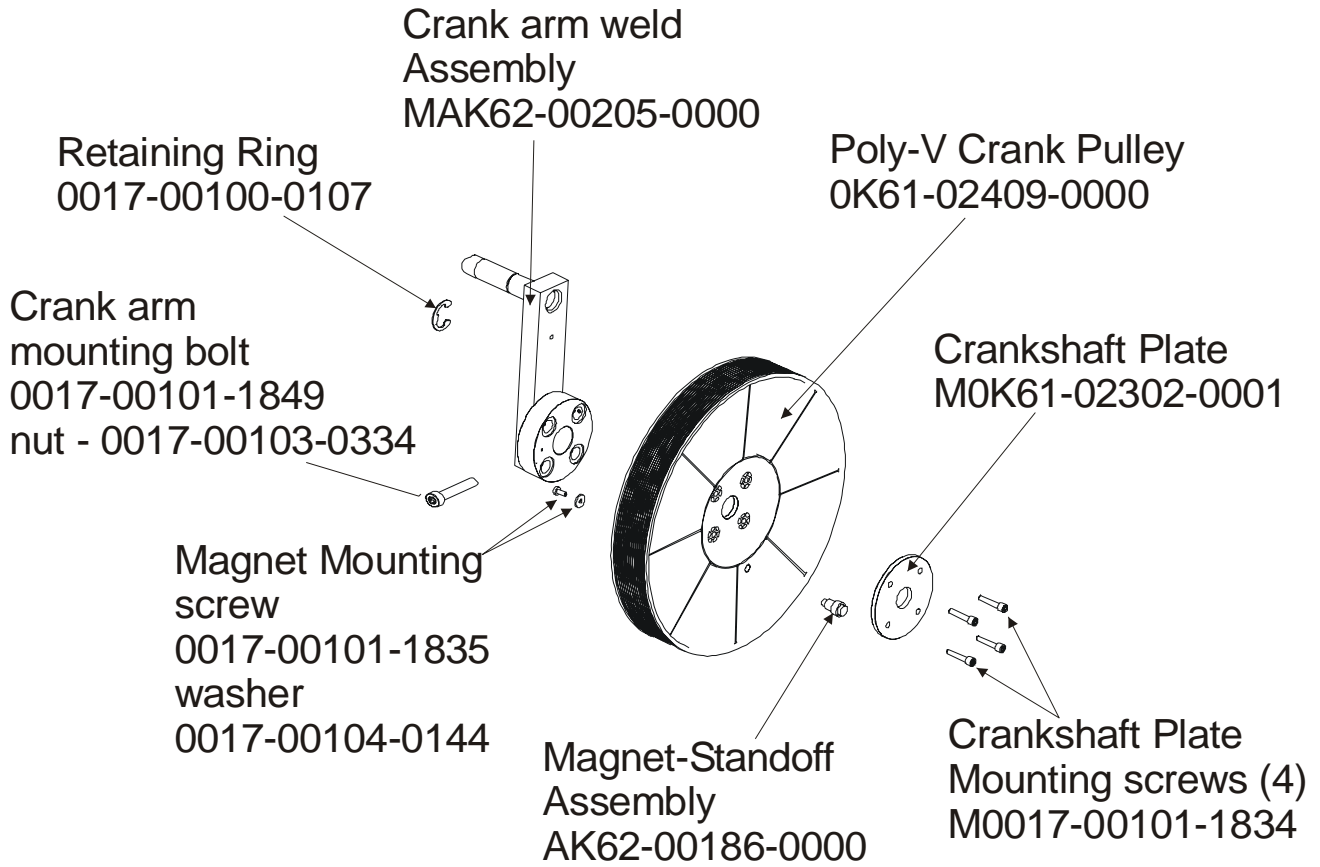
Service Kit- GK62-00002-0045  
Includes:

- 1 - intermediate shaft
- 2 - bearings
- 2- sets of bearing flanges
- 4- nuts and washers

Bearing Flanges (2)  
0K62-01220-0000

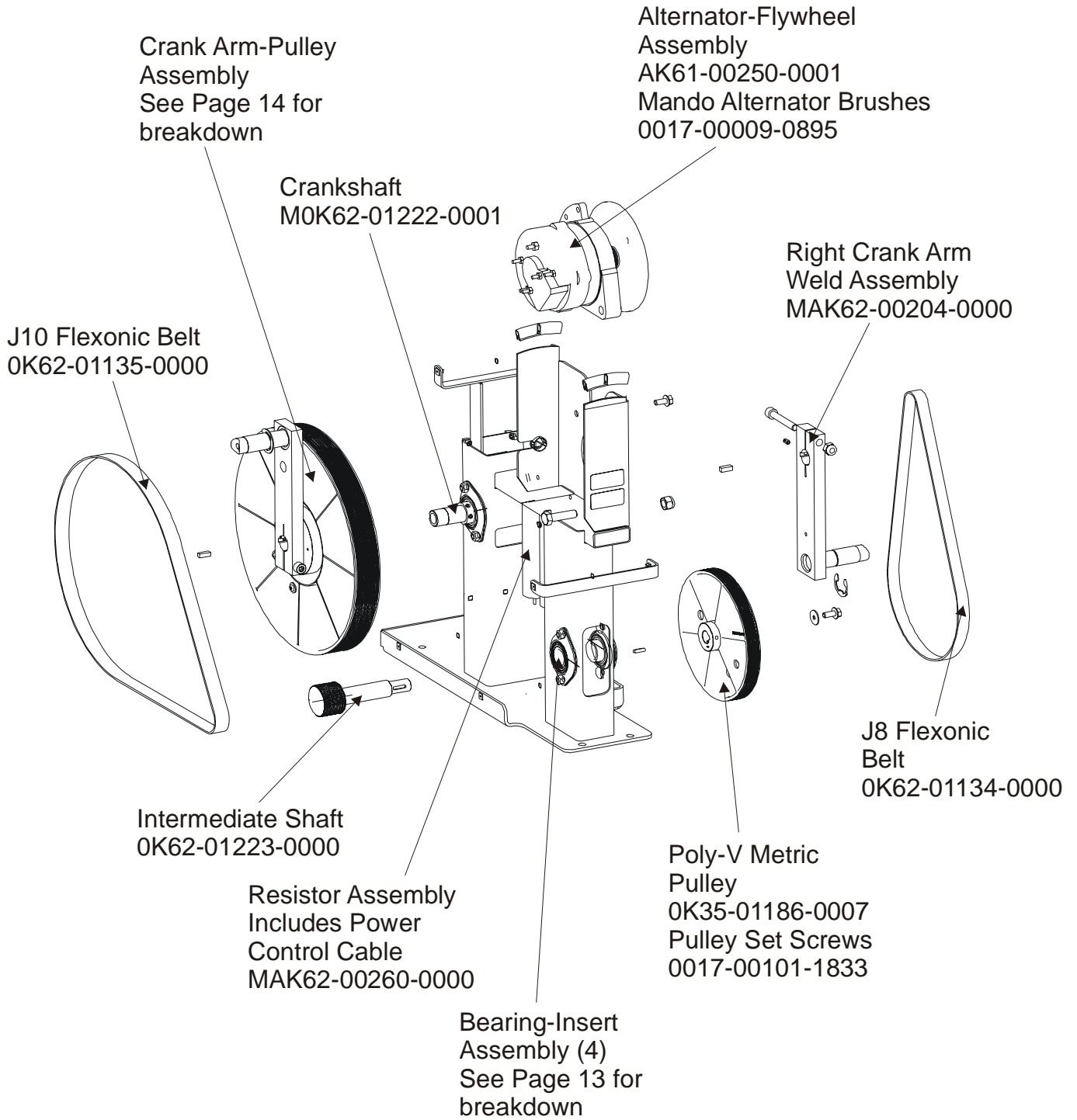


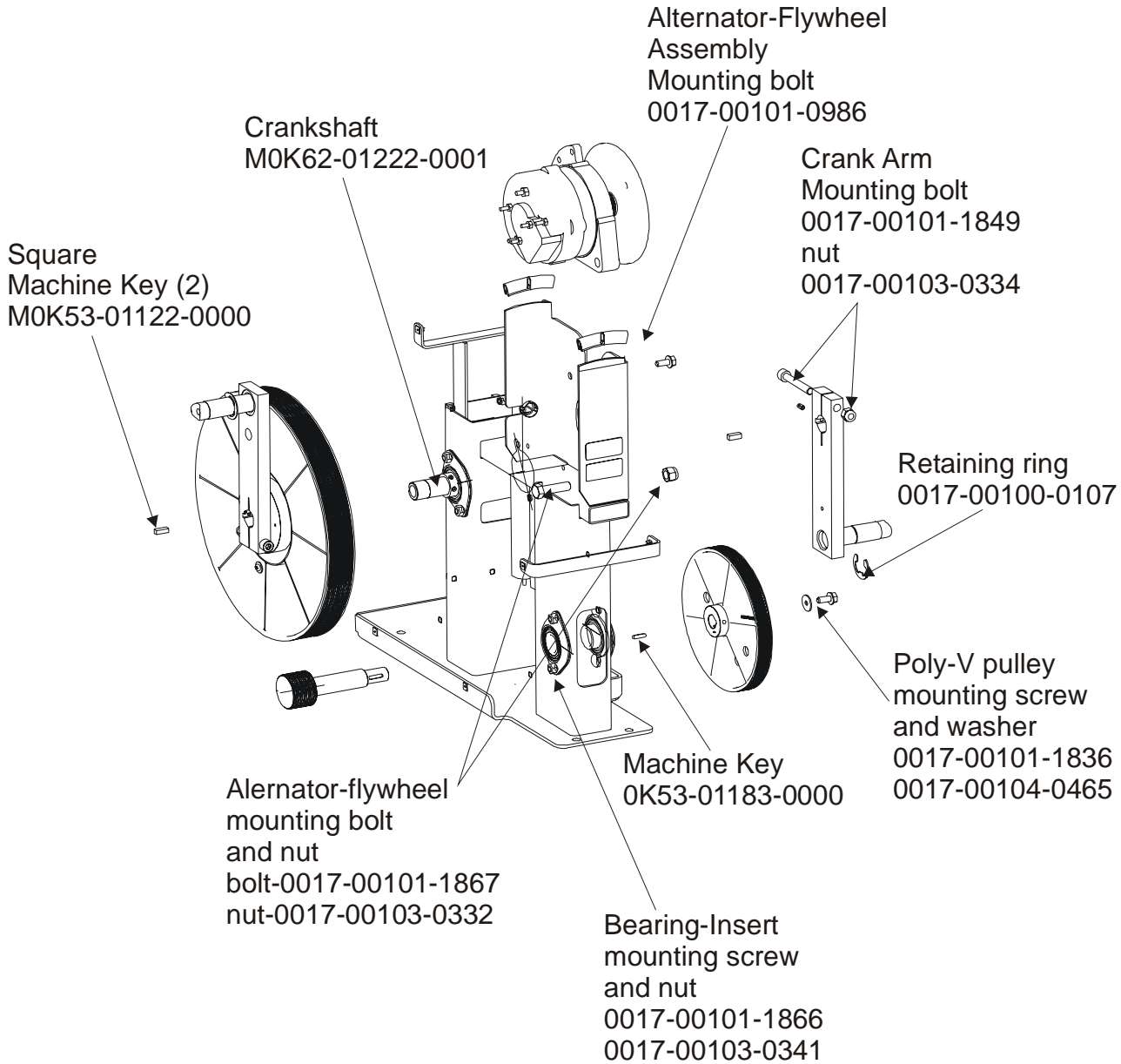
1" Bearing  
0K62-01221-0000



**ARCTIC SILVER QUIET DRIVE 90X**  
**Drive Module**

**90X-0XXX-03**  
**S/N XHA504206206**





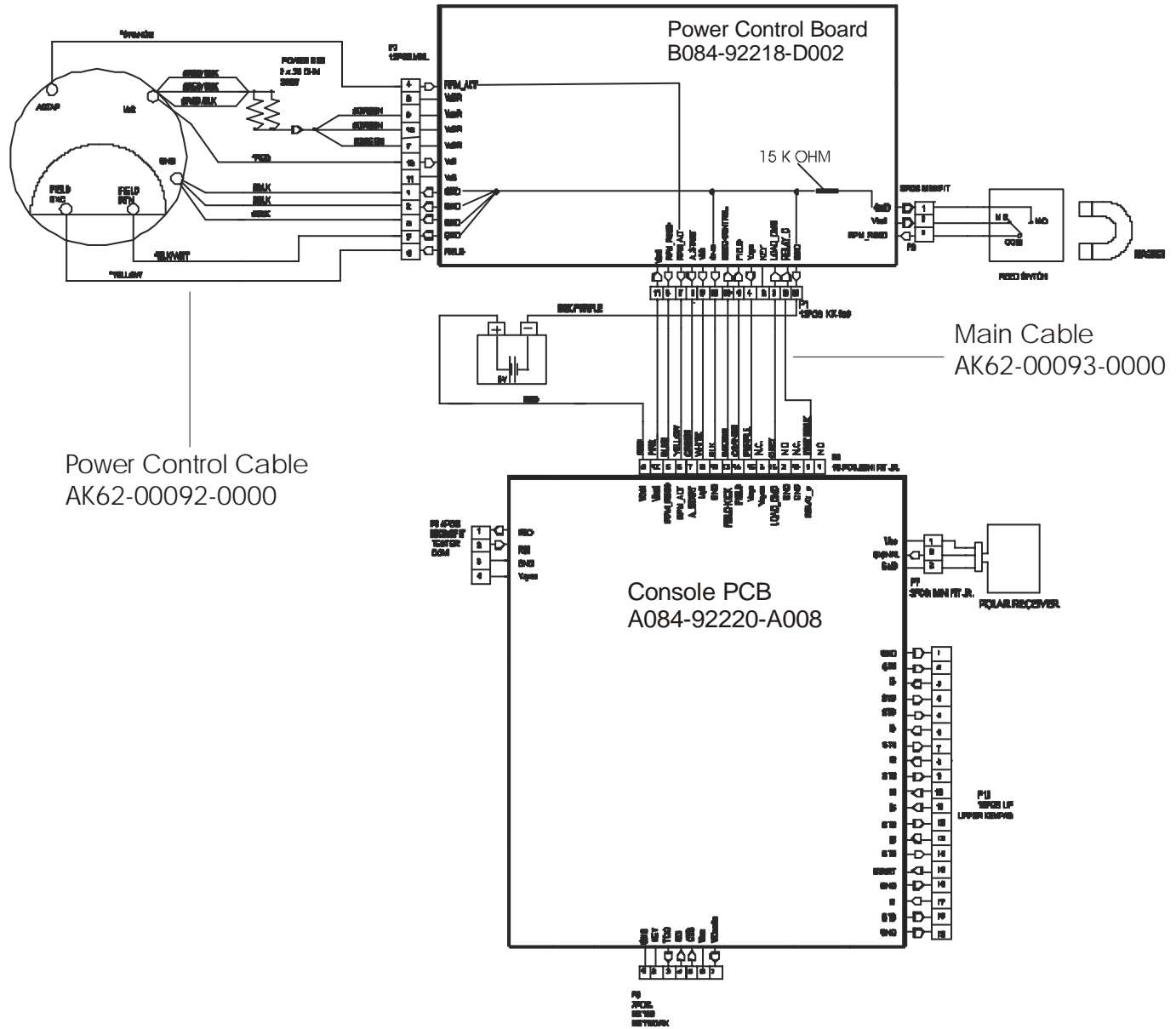


# ARCTIC SILVER QUIET DRIVE 90X

## Cables

90X-0XXX-03

S/N XHA504206206



## Free Manuals Download Website

<http://myh66.com>

<http://usermanuals.us>

<http://www.somanuals.com>

<http://www.4manuals.cc>

<http://www.manual-lib.com>

<http://www.404manual.com>

<http://www.luxmanual.com>

<http://aubethermostatmanual.com>

Golf course search by state

<http://golfingnear.com>

Email search by domain

<http://emailbydomain.com>

Auto manuals search

<http://auto.somanuals.com>

TV manuals search

<http://tv.somanuals.com>