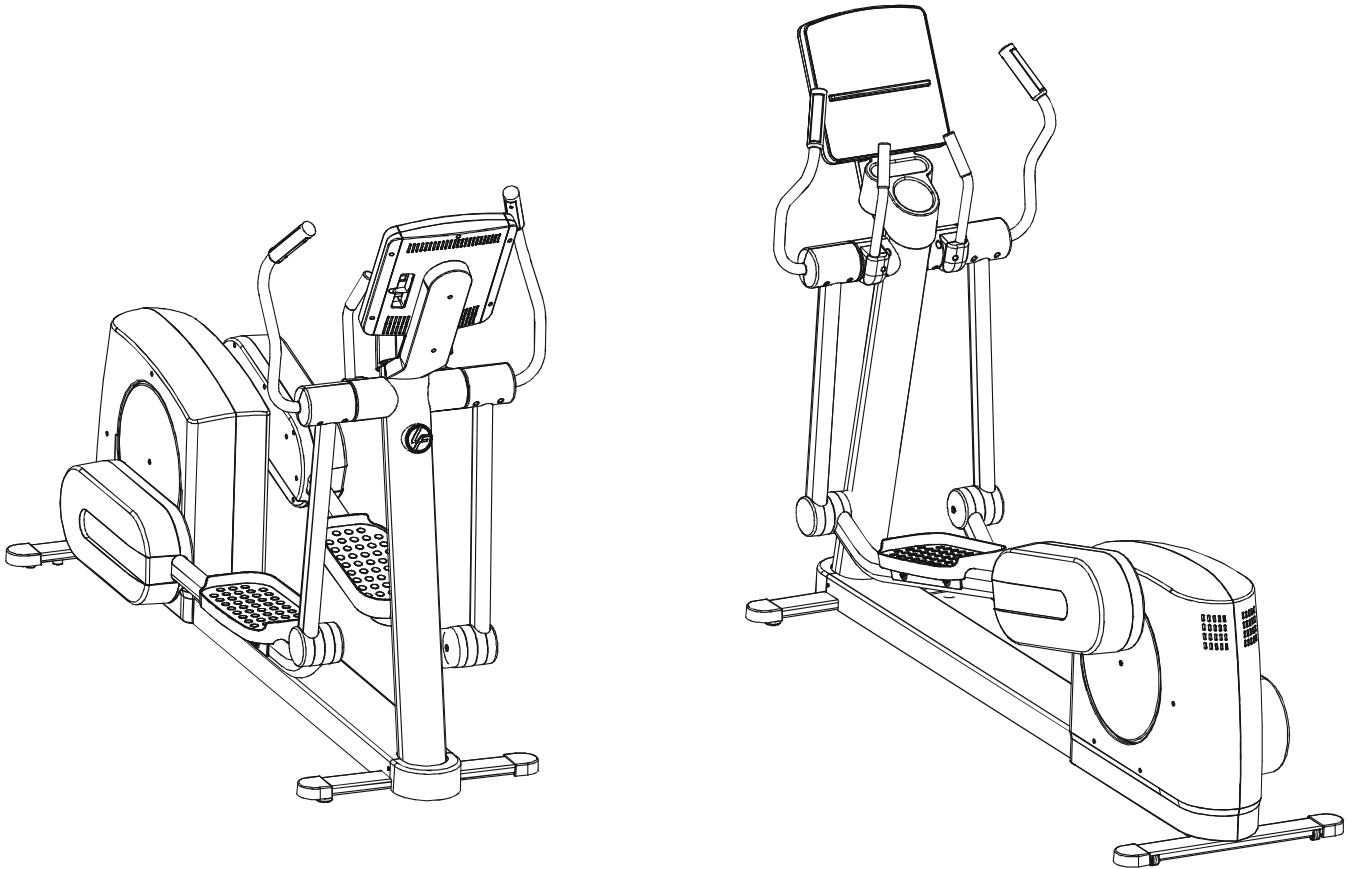


# LifeFitness

ARCTIC SILVER CROSS-TRAINER 90XW-0XXX-02



## Customer Support Services **PARTS MANUAL** revised 30 Jul 2008

**ARCTIC SILVER 90XW**  
**REFERENCES**

**90XW-0XXX-02**  
**S/N AWE100000 and UP**

OPERATION MANUAL	M051-00K62-A111
SERVICE MANUAL	M051-00K62-A060
TOUCH UP PAINT: SPRAY CAN .5 OZ BOTTLE W/APPLICATOR .33 OZ PEN	0017-00008-0204 0017-00008-0205 0017-00008-0206
PLUG IN OPTION 120/60	GK62-00002-0018
PLUG IN OPTION 240/50 UK	GK62-00002-0019
PLUG IN OPTION 240v AUS	GK62-00002-0020
PLUG IN OPTION 230/50 CONT	GK62-00002-0021
TELEMETRY KIT	GK63-00002-0002
POWER CABLE W/BRACKET ASSY. ASSEMBLY CONSISTS OF: 1) COAX CABLE 2) POWER EXTENSION CABLE 3) ACCESS PANEL BRACKET 4) F TYPE CONNECTOR 5) PLASTIC GROMMET -(QTY. 2)	AK62-00210-0000  AK32-00020-0002 AK32-00078-0001 0K62-01179-0001 0017-00021-2846 0017-00042-0754
CRANKSHAFT W/BEARINGS KIT	GK62-00002-0028
HARDWARE BAG	AK62-00152-0001

**NOTE: ADDING THE BOLT ON LCD SCREEN TO THE  
90XW-0XXX-02 MAKES THE UNIT A 90XER-0XXX-02.**

	Page
CONSOLE SUPPORT & DEADSHAFT COVERS .....	4
HANDLEBARS AND BULLHORNS .....	5
CONSOLE AND RELATED COMPONENTS.....	6
UPPER FRAME HARDWARE .....	7
ROCKER ARMS AND PEDAL LEVERS .....	8
CRANK COVER AND LOWER CAPS .....	9
LOWER FRAME SHROUDS AND HARDWARE.....	10
PEDAL LEVER COMPONENTS .....	11
DRIVE MODULE COMPONENTS .....	12
DRIVE MODULE HARDWARE .....	13
CABLES .....	14

**Note: Telemetry is an option on the 90XW.**

**ARCTIC SILVER 90XW**  
**Console Support & Deadshaft Covers**

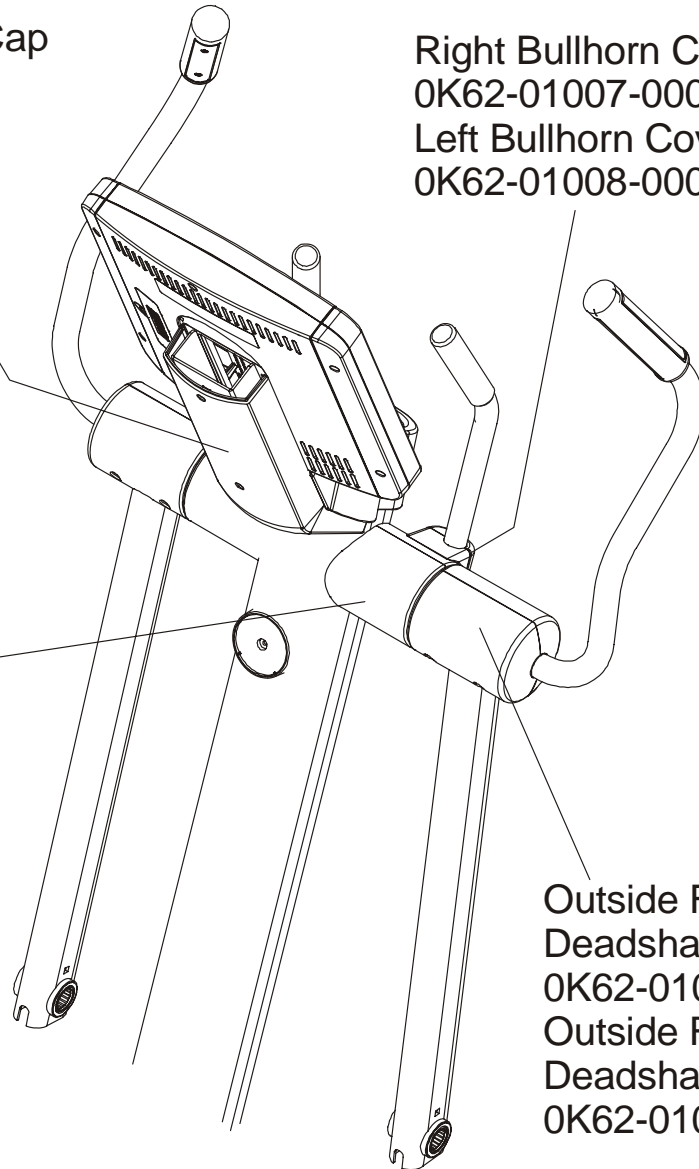
**90XW-0XXX-02**  
**S/N AWE100000 and UP**

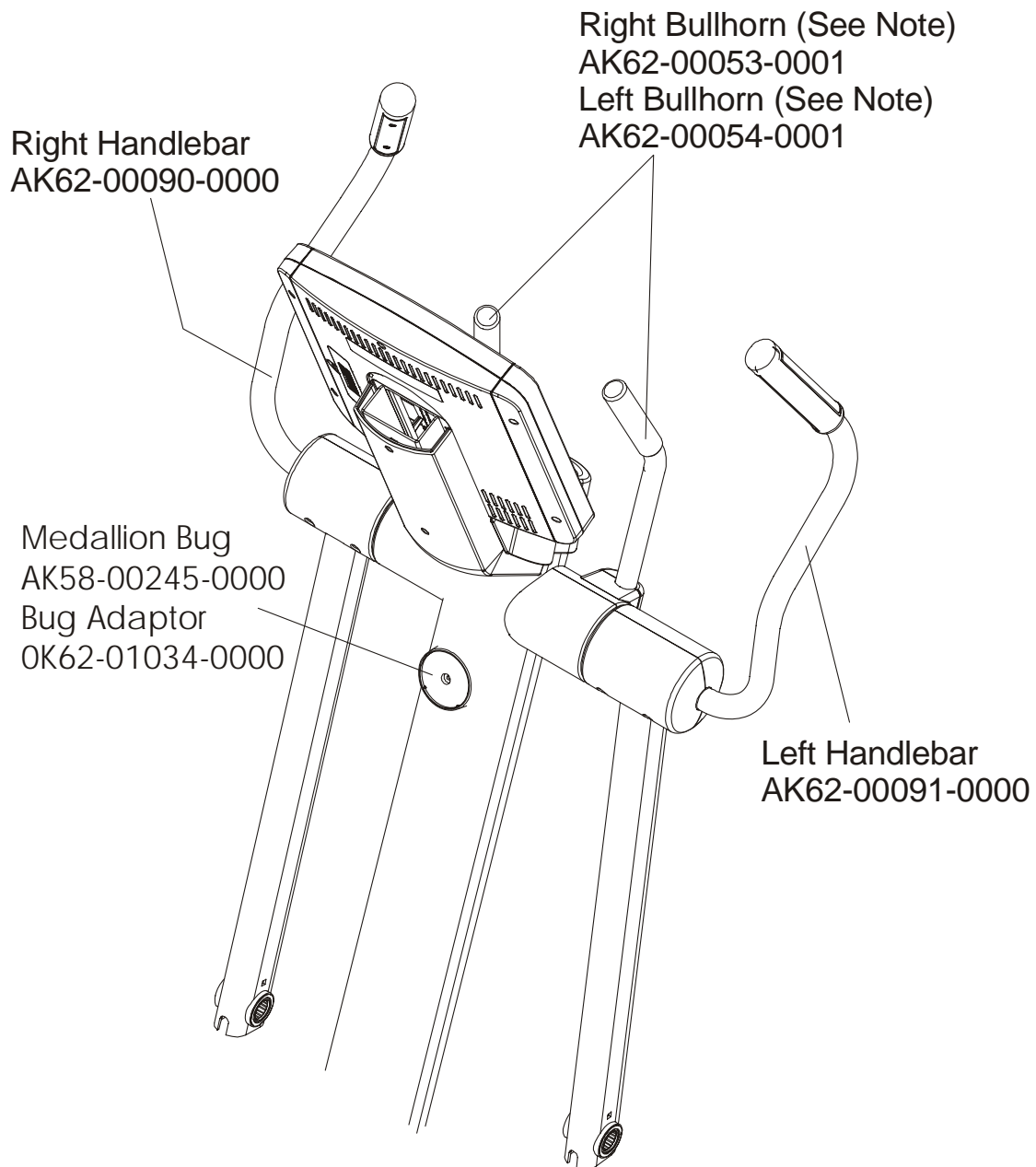
Console Support  
AK62-00123-0000  
Console Support Cap  
0K62-01030-0000  
Console Support  
Shroud  
0K62-01023-0000

Right Bullhorn Cover  
0K62-01007-0001  
Left Bullhorn Cover  
0K62-01008-0001

Right Inside  
Deadshaft Cover  
0K62-01010-0000  
Left Inside  
Deadshaft Cover  
0K62-01011-0000  
2-Front Inside  
Deadshaft Cover  
0K62-01009-0000

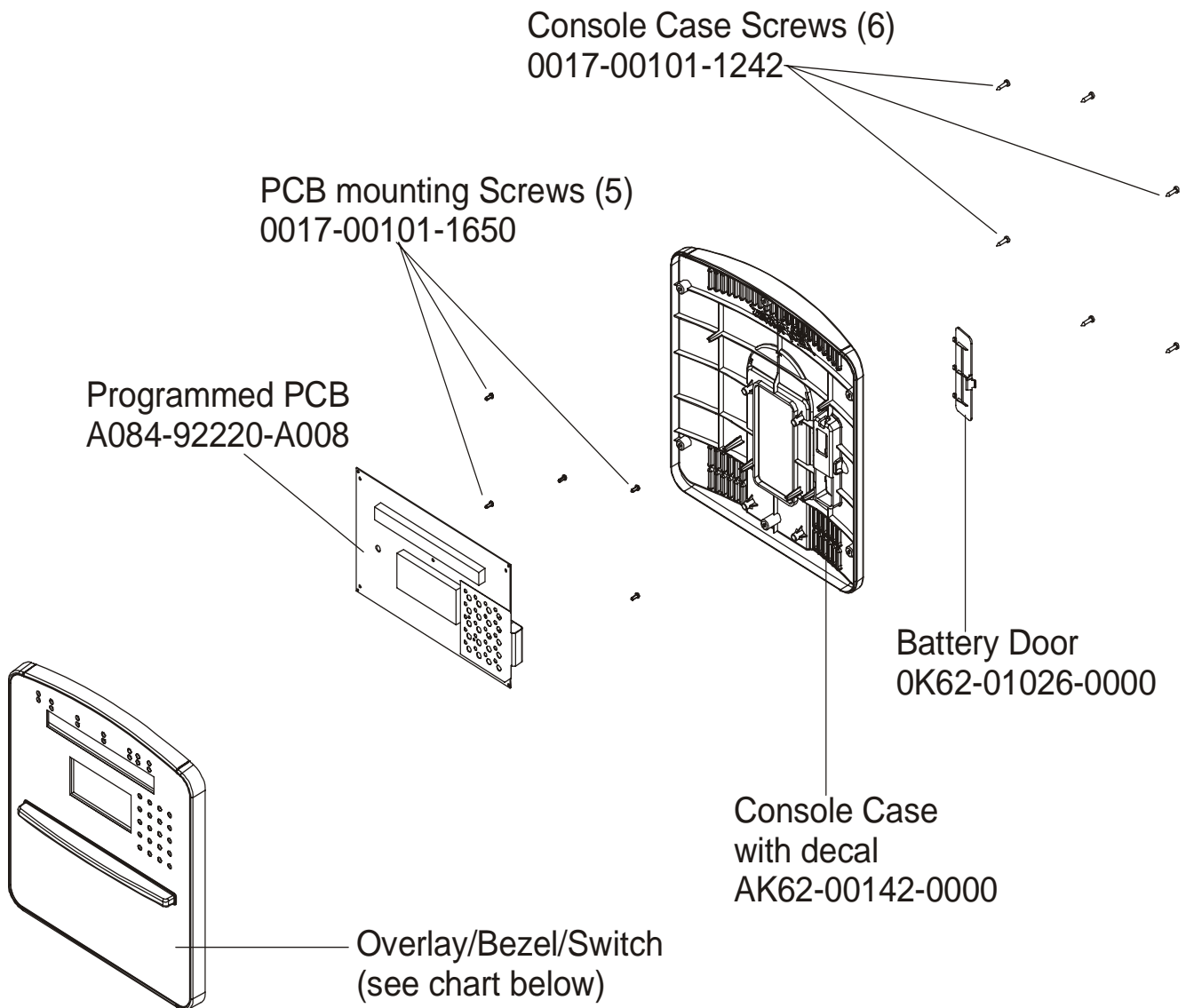
Outside Front  
Deadshaft Cover (2)  
0K62-01013-0000  
Outside Rear  
Deadshaft Cover (2)  
0K62-01012-0000





NOTE: The Right Bullhorn Assembly consists of: AK62-00057-0001 Bullhorn, OK62-01136-0000 Grip, and OK62-01199-0000 Gasket.

NOTE: The Left Bullhorn Assembly consists of: AK62-00058-0001 Bullhorn, OK62-01136-0000 Grip and OK62-01199-0000 Gasket

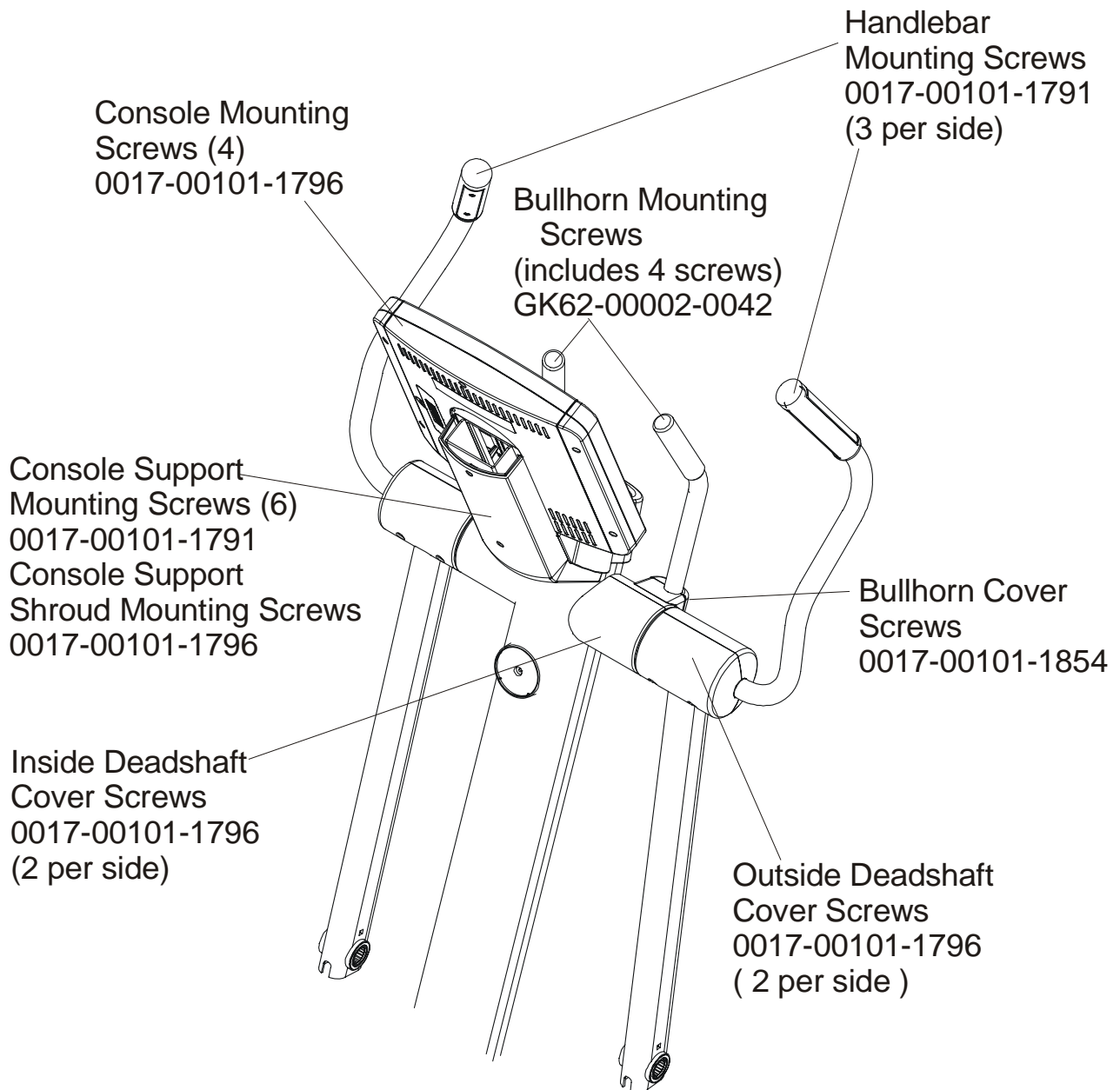


CONSOLE	OVERLAY/BEZEL/SWITCH	LANGUAGE
AK62-00151-0001	AK62-00189-0001	Eng + Met
AK62-00151-0003	AK62-00189-0003	Ger/Met
AK62-00151-0004	AK62-00189-0004	Spn/Met
AK62-00151-0006	AK62-00189-0006	Jap/Met
AK62-00151-0007	AK62-00189-0007	Frn/Met
AK62-00151-0008	AK62-00189-0008	Ital/Met
AK62-00151-0009	AK62-00189-0009	Dut/Met
AK62-00151-0010	AK62-00189-0010	Port/Met

**ARCTIC SILVER 90XW**  
**Upper Frame Hardware**

**90XW-0XXX-02**  
**S/N AWE100000 and UP**

Items Not Shown	
Accessory Tray	0K62-01022-0000
Accessory Tray Mounting Screws (2)	0017-00101-1846



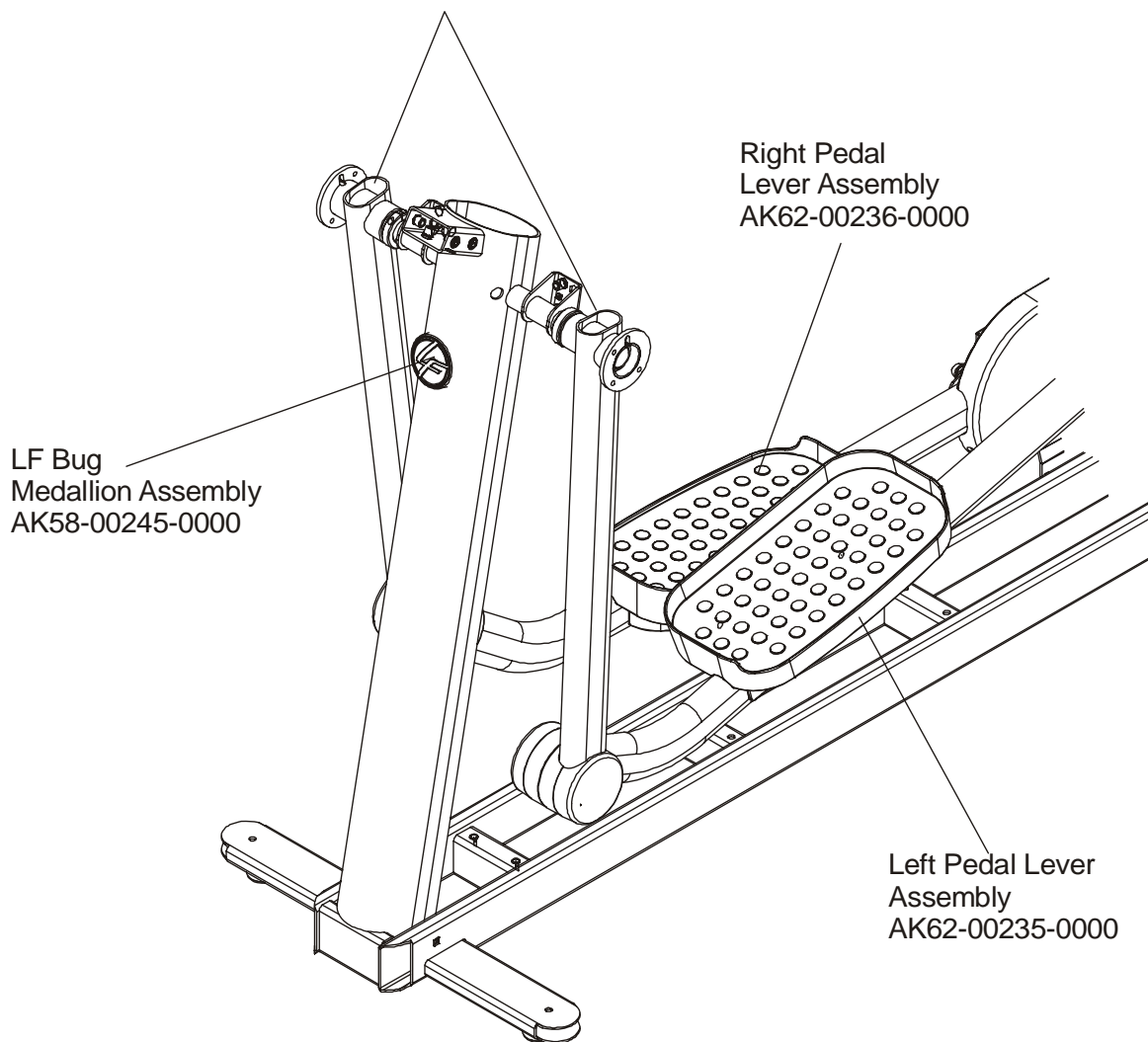
**ARCTIC SILVER 90XW**  
**Rocker Arms & Pedal Levers**

**90XW-0XXX-02**  
**S/N AWE100000 and UP**

Rocker Arms Kit  
GK62-00002-0070  
contents:

- Rocker Arms (2)
- Hardened Spacers (2)
- Oilite Washers (2)
- Retaining Rings (2)
- Loctite 620*
- Alcohol pad

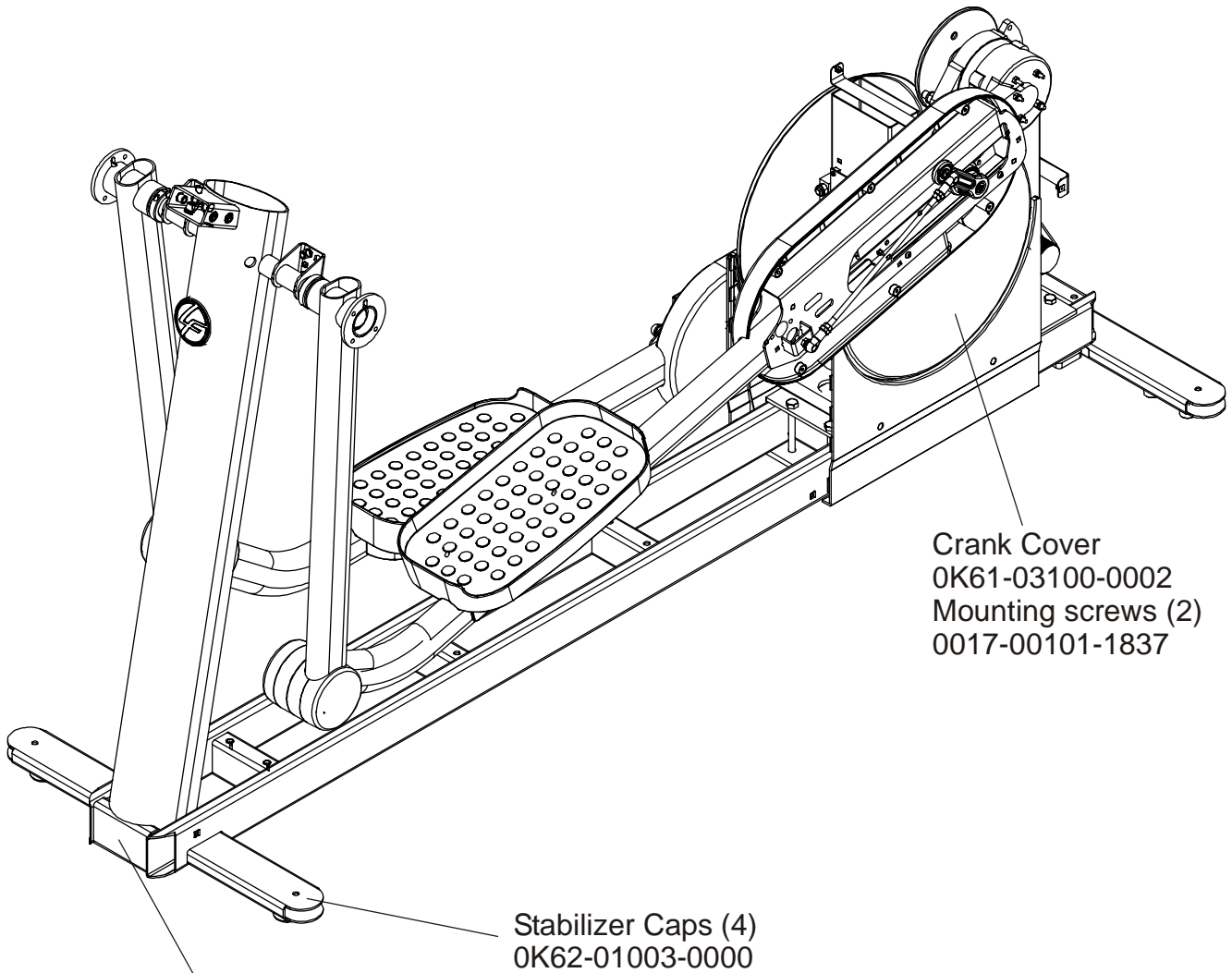
Rocker Arms  
AK62-00002-0070  
Shaft Collar w/Screws  
OK61-01259-0000





**ARCTIC SILVER 90XW**  
**Crank Cover and Lower Caps**

**90XW-0XXX-02**  
**S/N AWE100000 and UP**



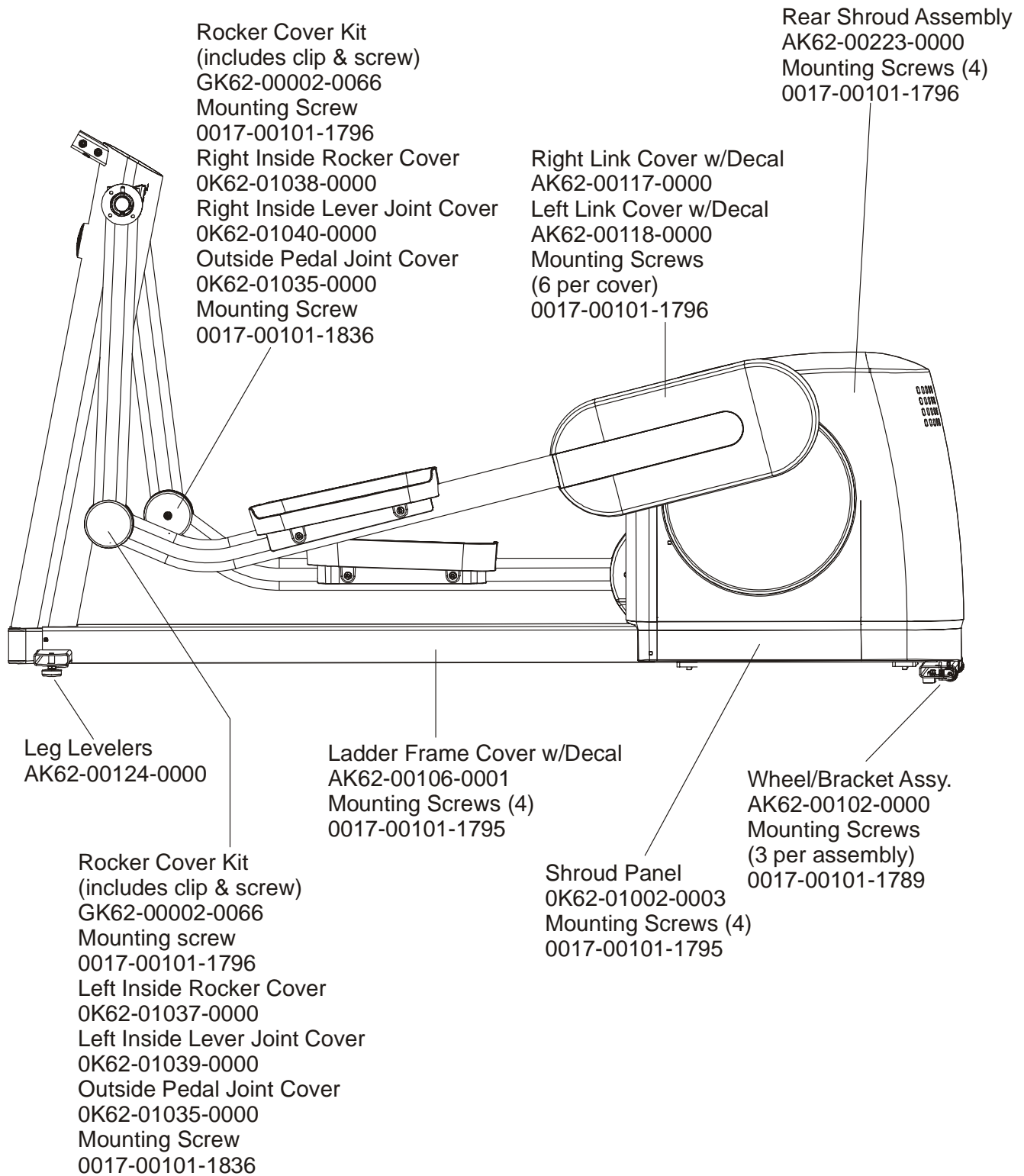
Crank Cover  
OK61-03100-0002  
Mounting screws (2)  
0017-00101-1837

Stabilizer Caps (4)  
OK62-01003-0000

Front frame Cap  
OK62-01004-0000  
Mounting Screws (2)  
(Located on front sides of  
Ladder Frame Cover)  
0017-00101-1795

**ARCTIC SILVER 90XW**  
**Lower Frame Shrouds & Hardware**

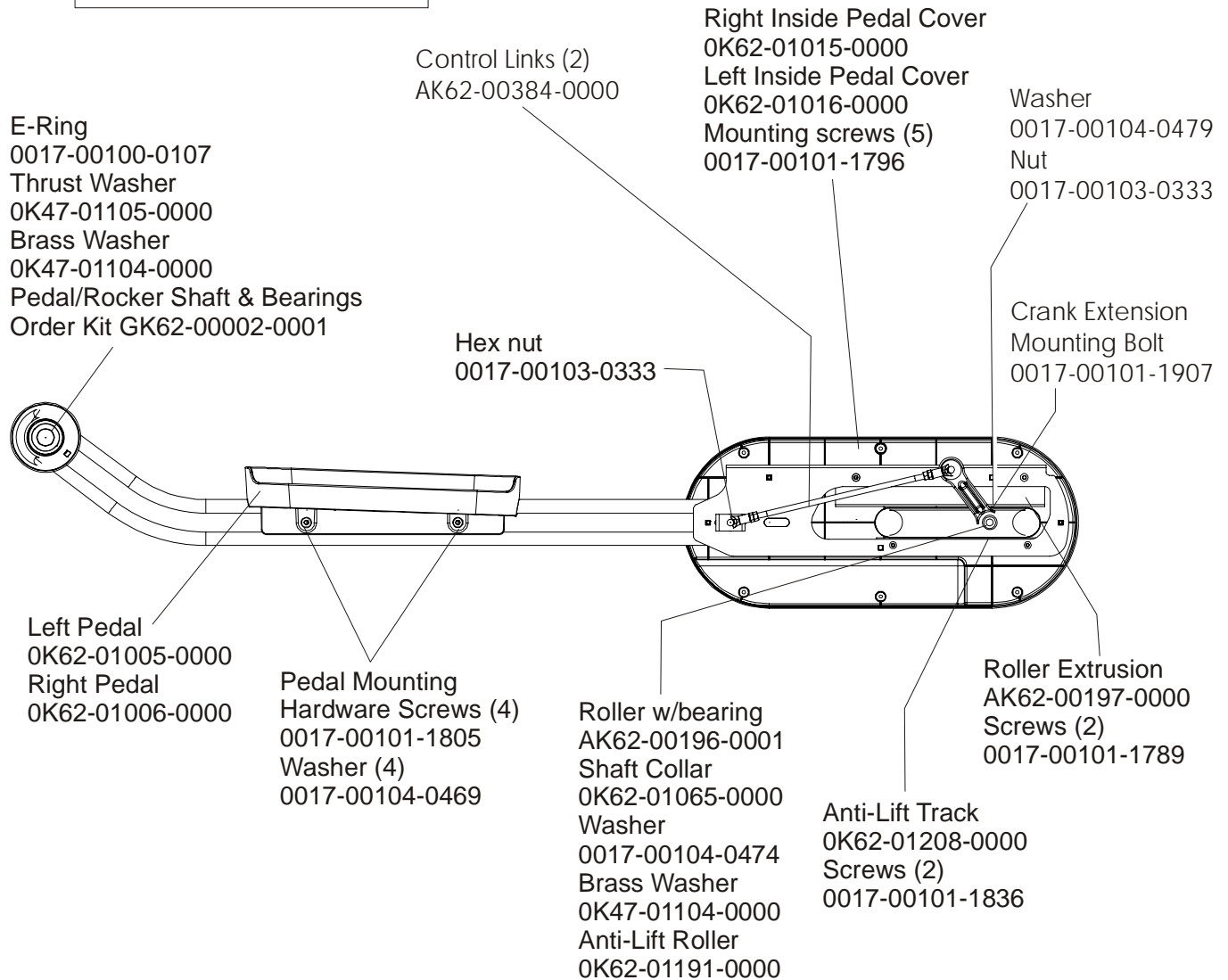
**90XW-0XXX-02**  
**S/N AWE100000 and UP**



**ARCTIC SILVER 90XW**  
**Pedal Lever Assembly Components**

**90XW-0XXX-02**  
**S/N AWE100000 and UP**

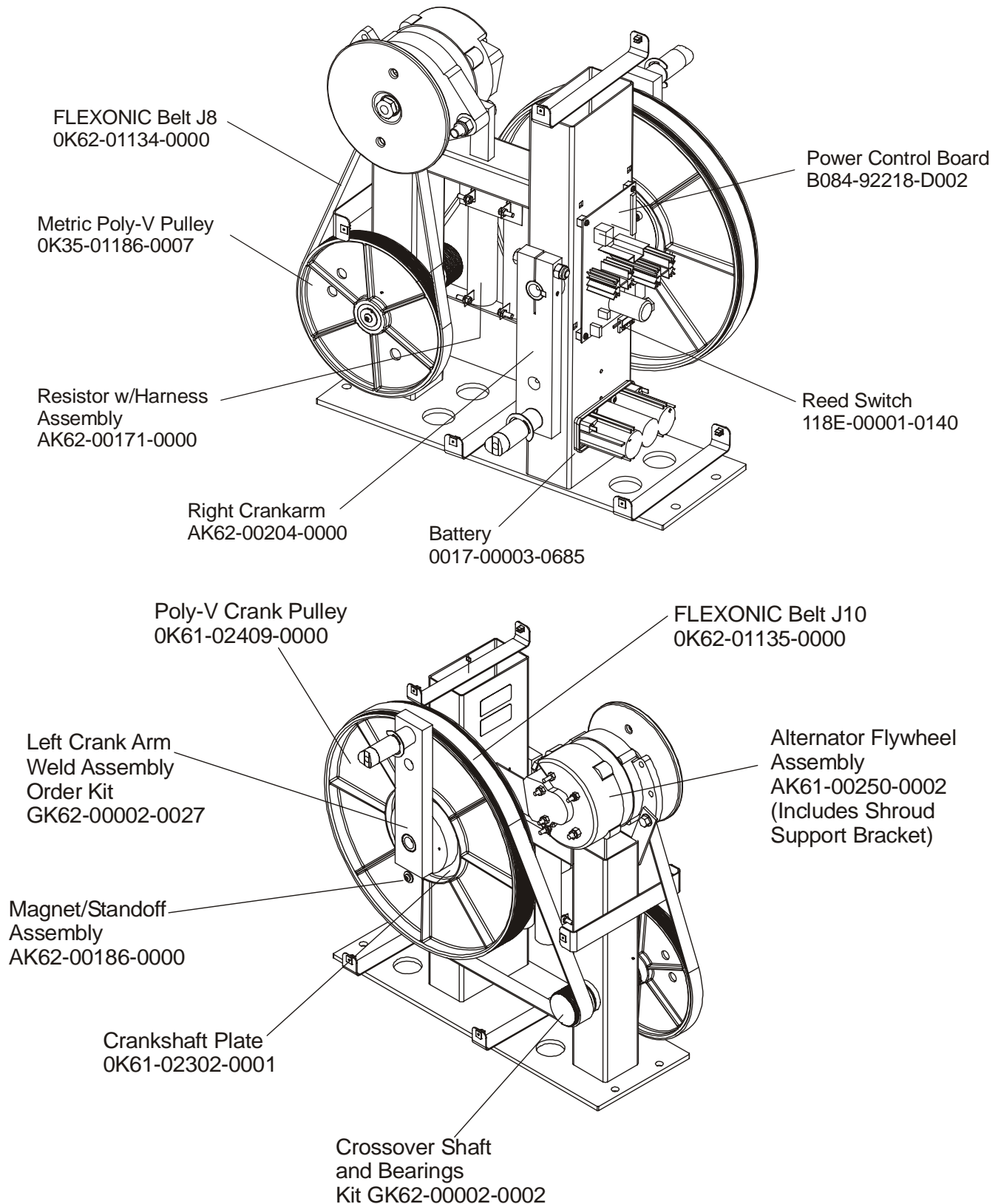
Control Link Kit  
 GK62-00002-0071  
 (contains 2 control links,  
 part nos. AK62-00384-0000)



Note: If replacing the Tie Rod Assembly or Crank Extension for the first time, order kit GK62-00002-0015. Both sides must be replaced simultaneously in this situation.

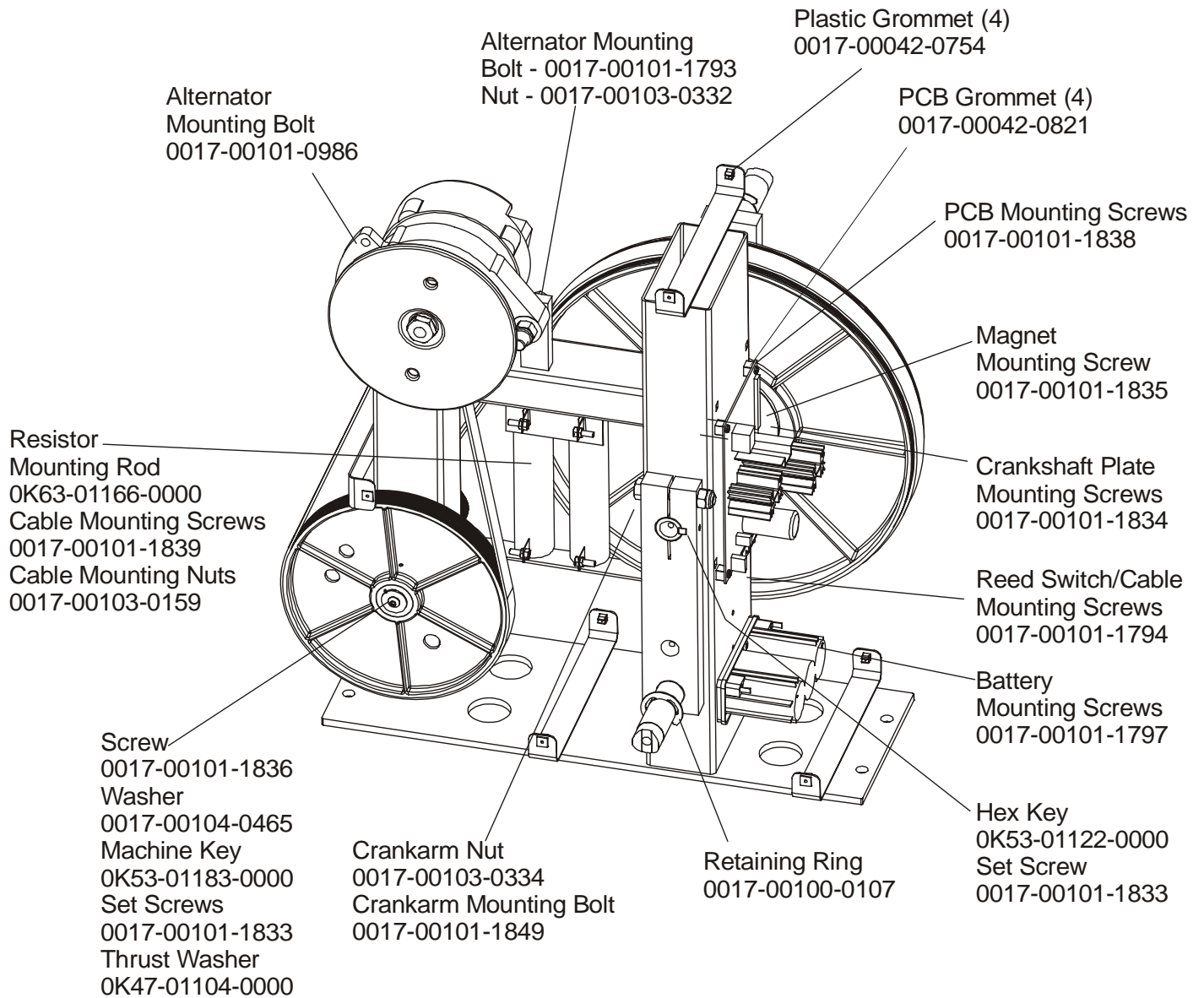
**ARCTIC SILVER 90XW**  
**Drive Module Components**

**90XW-0XXX-02**  
**S/N AWE100000 and UP**



**ARCTIC SILVER 90XW**  
**Drive Module Hardware**

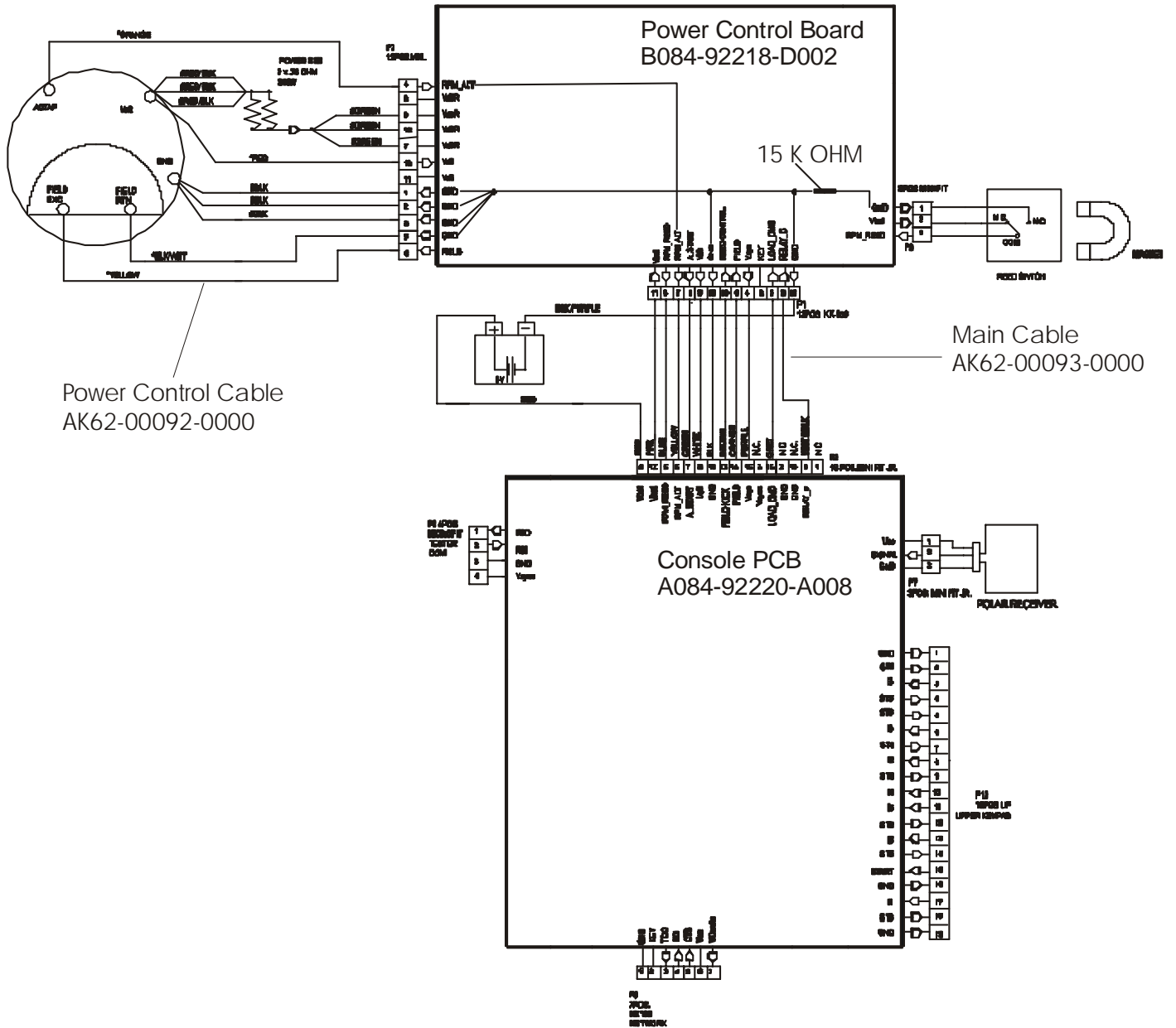
**90XW-0XXX-02**  
**S/N AWE100000 and UP**



# ARCTIC SILVER 90XW

## Cables

90XW-0XXX-02  
S/N AWE100000 and UP



Power Control Cable  
AK62-00092-0000

Main Cable  
AK62-00093-0000

## Free Manuals Download Website

<http://myh66.com>

<http://usermanuals.us>

<http://www.somanuals.com>

<http://www.4manuals.cc>

<http://www.manual-lib.com>

<http://www.404manual.com>

<http://www.luxmanual.com>

<http://aubethermostatmanual.com>

Golf course search by state

<http://golfingnear.com>

Email search by domain

<http://emailbydomain.com>

Auto manuals search

<http://auto.somanuals.com>

TV manuals search

<http://tv.somanuals.com>