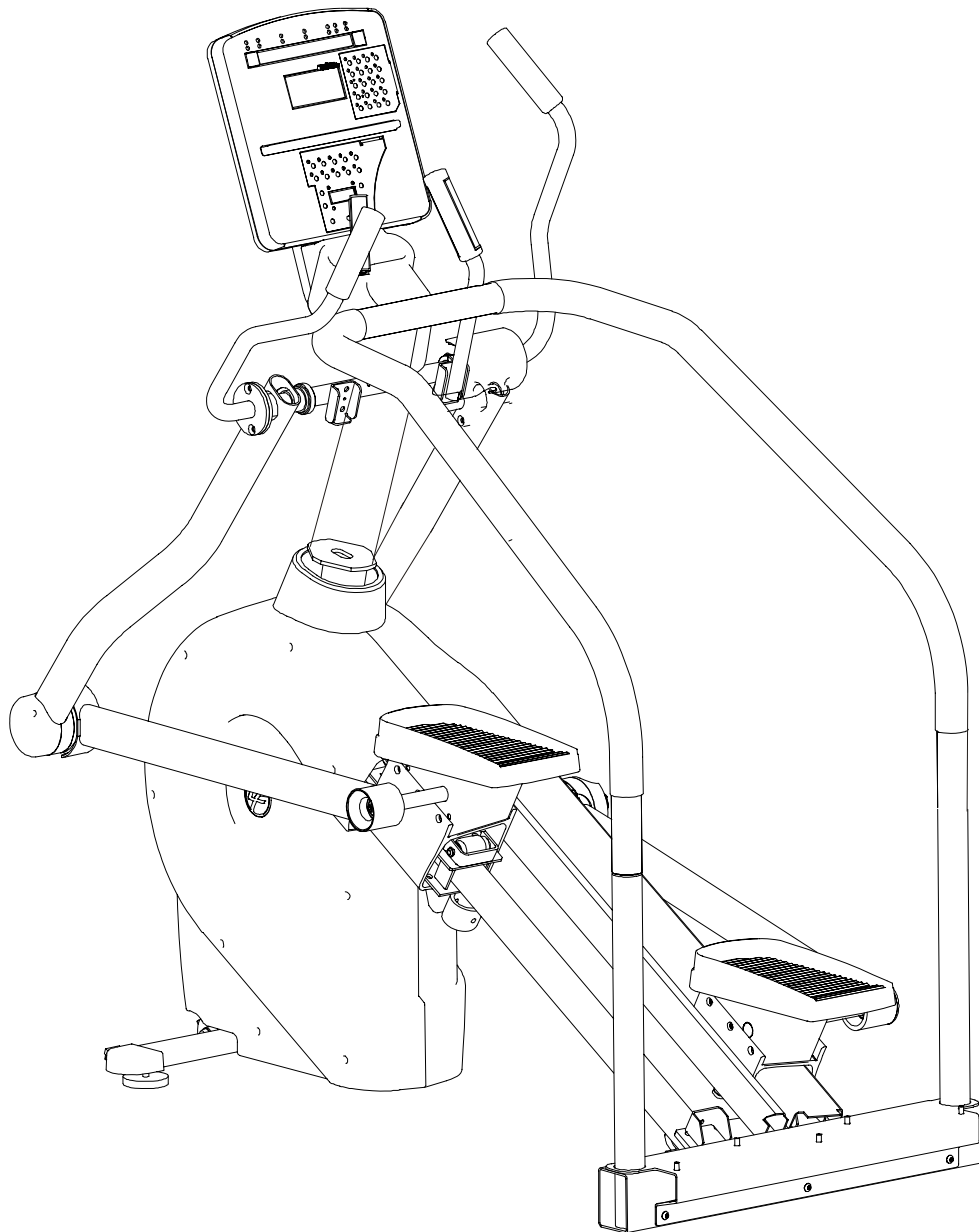


LifeFitness

ARCTIC SILVER SUMMIT
TRAINER 95LE-0XXX-01



Customer Support Services
PARTS MANUAL rev 15 Jan 2008

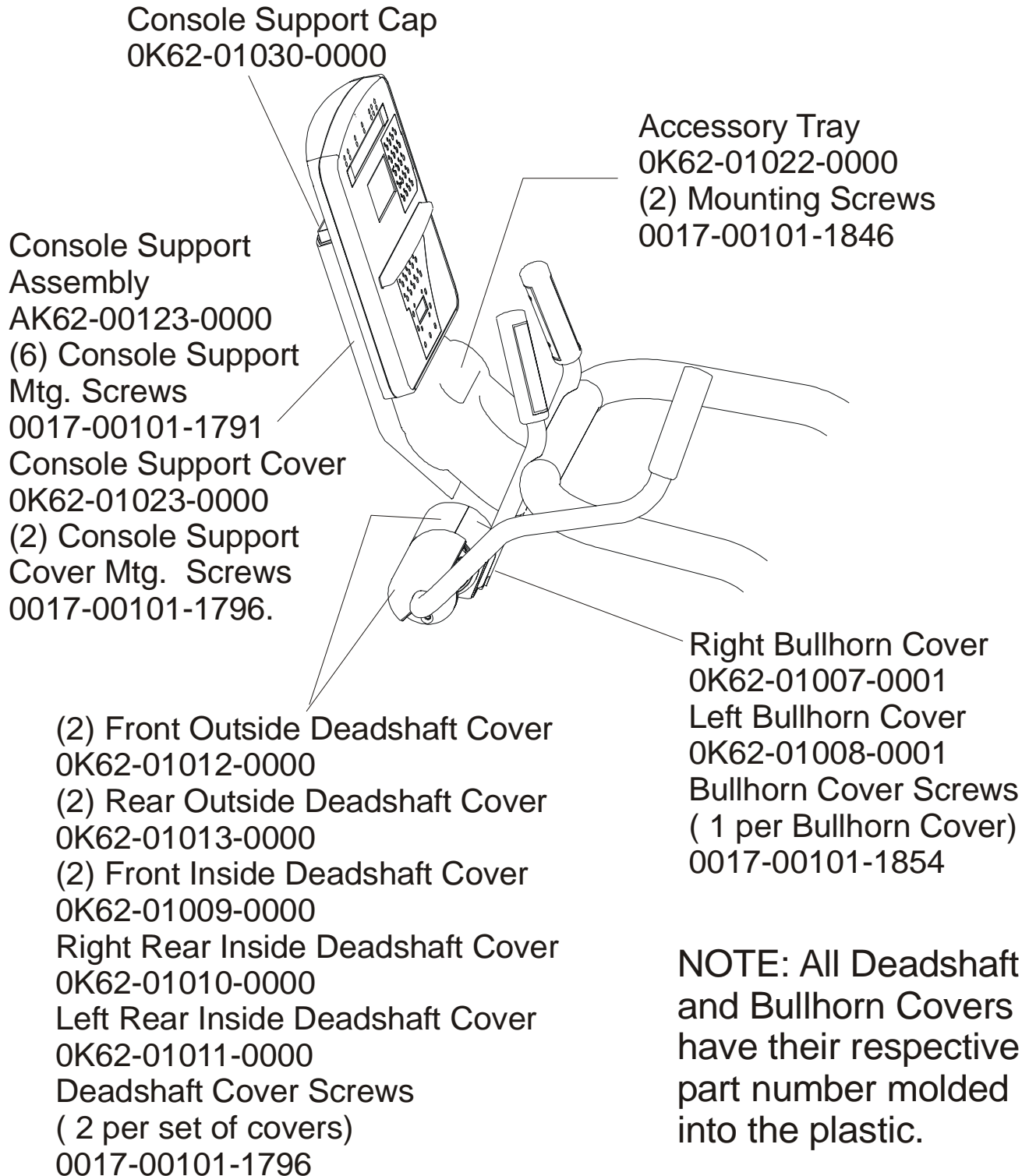
MISCELLANEOUS	3
CONSOLE SUPPORT & DEADSHAFT COVERS.....	4
USER ARMS AND HARDWARE	5
MONOCOLUMN, HANDRAIL AND VERTICAL UPRIGHTS	6
COMPLETE CONSOLE ASSEMBLY	7
CONSOLE COMPONENTS	8
SHROUDS, BOOT AND REAR STEP ASSEMBLY	9
ROCKER ARMS AND CONTROL LINK ASSY'S	10
ROCKER ARM/CONTROL LINK COVERS.....	11
PEDAL TRACK COVERS AND HARDWARE.....	12
PEDALS, TRUCK AND ROLLERS ASSEMBLY.....	13
RESISTOR ASSEMBLY AND CROSSOVER PULLEY.....	14
FLEXONIC BELTS AND TENSIONER BRACKET	15
CLUTCH SHAFT AND SPROCKETS	16
CLUTCH PULLEY AND SHAFT ASSEMBLY.....	17
TIMING BELTS AND SPRINGS	18
POWER CONTROL BOARD, BATTERY & ALTERNATOR	19
ACCESS PANEL, WHEELS AND LEG LEVELERS	20
LOWER TRACK COVER AND HARDWARE	21
CABLES	22

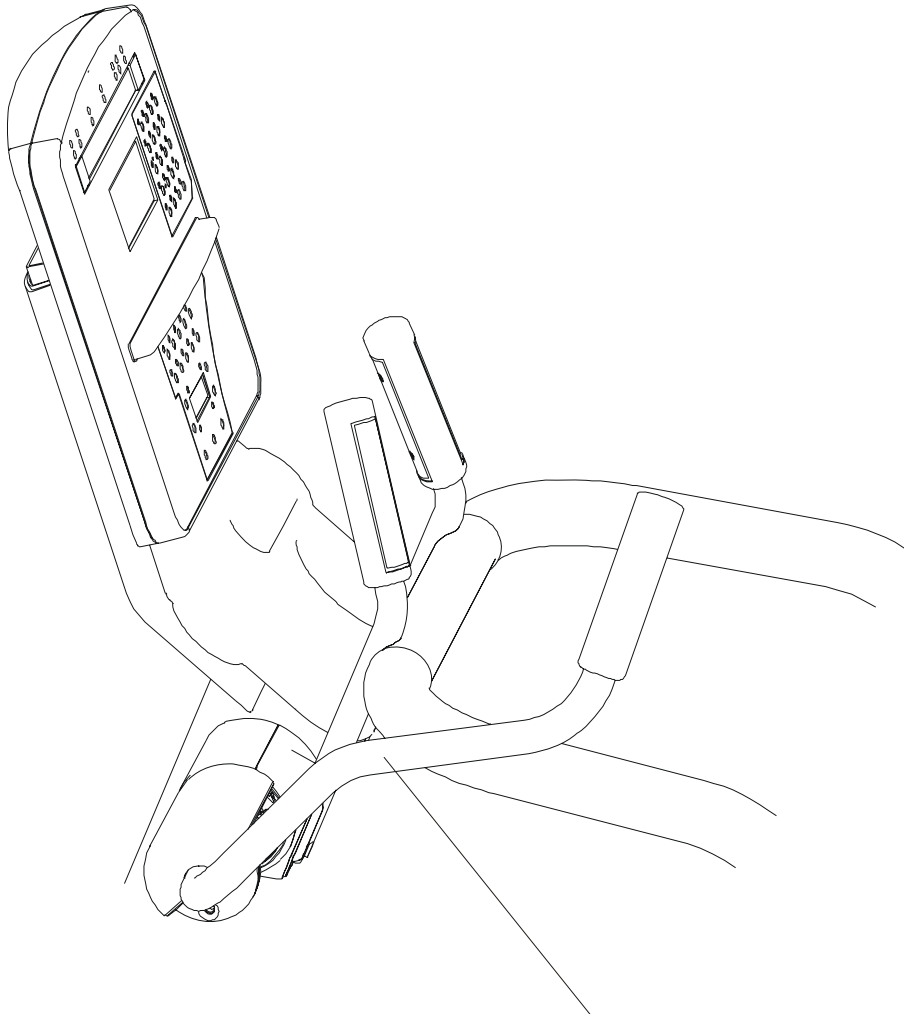
ARCTIC SILVER SUMMIT 95LE
MISCELLANEOUS

95LE-0XXX-01
S/N LEX100000 AND UP

OPERATION MANUAL – (ENG)	M051-00K68-A009
OPERATION MANUAL – (F/S/P)	M051-00K68-A010
OPERATION MANUAL – (G/D/I)	M051-00K68-A011
OPERATION MANUAL – (JAP)	M051-00K68-A012
OPERATION MANUAL – (CHI)	M051-00K68-A013
OPERATION MANUAL – (KOR)	M051-00K68-A014
OPERATION MANUAL – (RUS)	M051-00K68-A015
SERVICE MANUAL	M051-00K68-A030
HARDWARE BAG	AK68-00198-0000
TOUCH UP PAINT: SPRAY CAN .5 OZ BOTTLE W/APPLICATOR .33 OZ PEN	0017-00008-0204 0017-00008-0205 0017-00008-0206
ACCESS PANEL ASSEMBLY ASSY. CONSISTS OF: 90" COAX CABLE 20" POWER CABLE PCB/ACCESS PANEL BRACKET F-TYPE CONNECTOR	AK68-00107-0001 AK32-00020-0001 AK32-00075-0003 0K68-01031-0000 0017-00021-2846
POWER SUPPLY (WALL TO UNIT)	118E-00001-0161
LINE CORD: DOM 10A 125V	0017-00003-0704
LINE CORD: CON 10A 250V	0017-00003-0691
LINE CORD: 10A UK	0017-00003-0889
LINE CORD: AUSTRALIA	0017-00003-0918

Note: The 95LE comes with both Telemetry and Lifepulse Sensors.





Right User Arm with grip

AK68-00143-0001

Left User Arm with grip

AK68-00143-0002

Grip

0K62-01138-0000

(3) User Arm Mtg. Screws

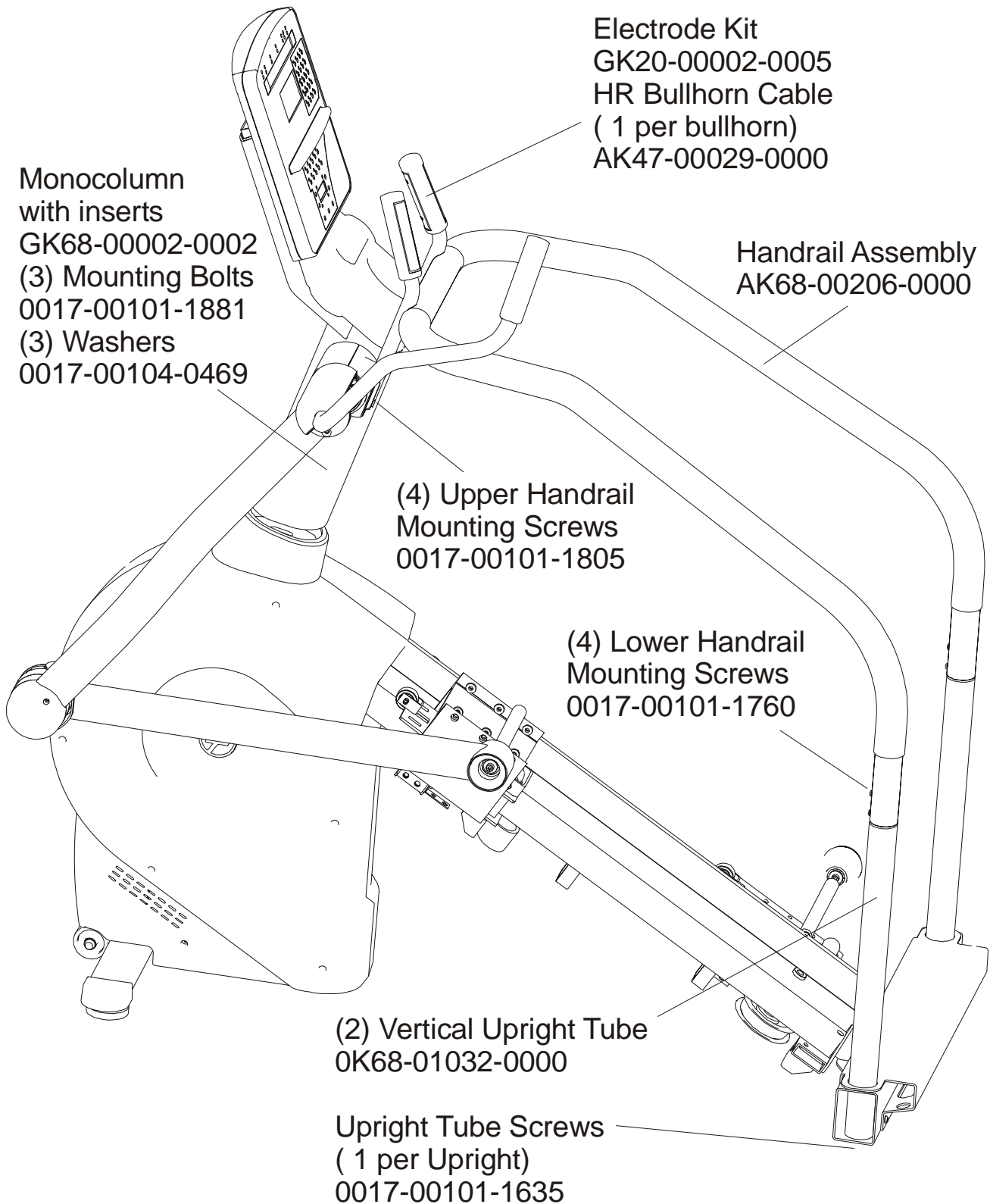
0017-00101-1791

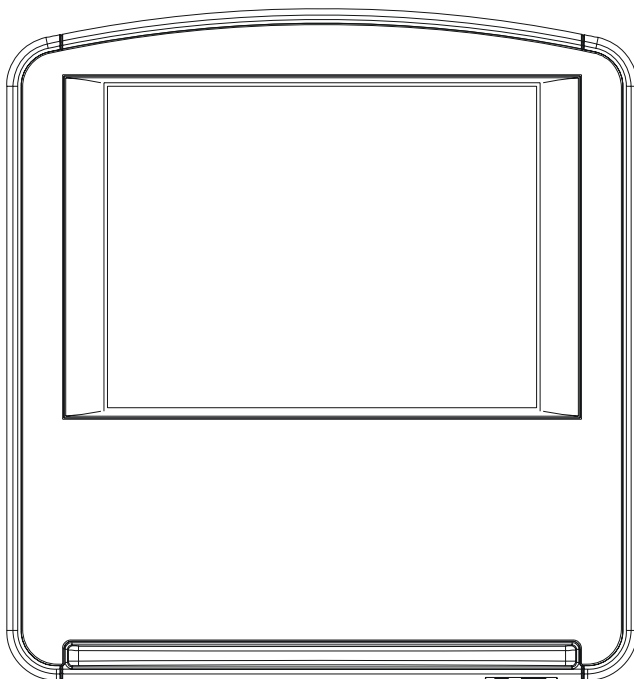
ARCTIC SILVER SUMMIT 95LE

Handrail and Vertical Uprights

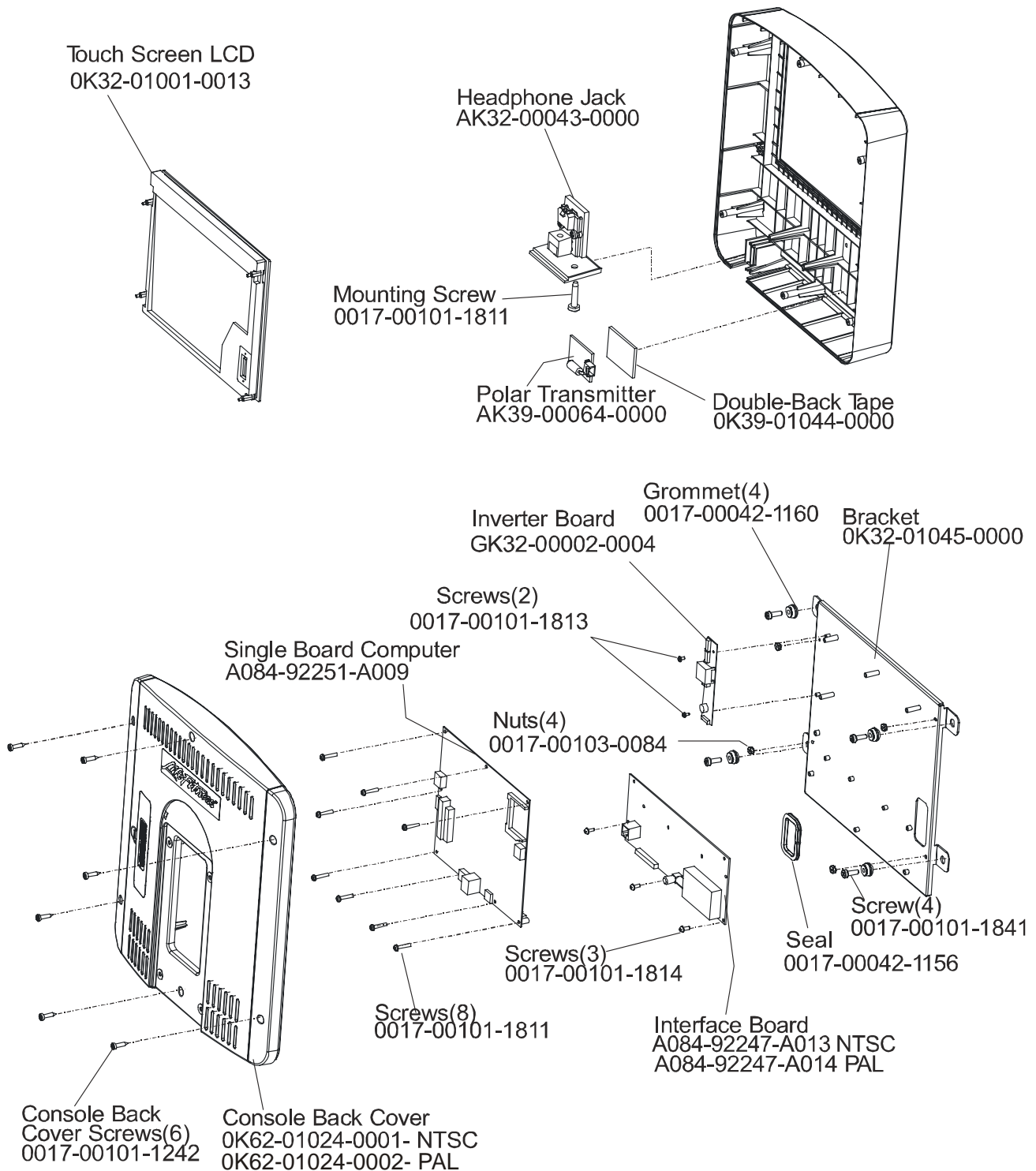
95LE-0XXX-01

S/N LEX100000 AND UP





CONSOLE ASSEMBLY	
AK68-00195-0001	CONS-ASSY: MFG; 95LE-01; FM; NTSC; ENG/LED
AK68-00195-0004	CONS-ASSY: MFG; 95LE-01; FM; NTSC; SPN/MET
AK68-00195-0006	CONS-ASSY: MFG; 95LE-01; FM; NTSC; JAP/MET
AK68-00195-0007	CONS-ASSY: MFG; 95LE-01; FM; NTSC; FRN/MET
AK68-00195-0011	CONS-ASSY: MFG; 95LE-01; FM; NTSC; CHI/MET
AK68-00195-0012	CONS-ASSY: MFG; 95LE-01; FM; NTSC; KOR/MET
AK68-00196-0002	CONS-ASSY: MFG; 95LE-01; FM; PAL; ENG+MET
AK68-00196-0003	CONS-ASSY: MFG; 95LE-01; FM; PAL; GER/MET
AK68-00196-0004	CONS-ASSY: MFG; 95LE-01; FM; PAL; SPN/MET
AK68-00196-0007	CONS-ASSY: MFG; 95LE-01; FM; PAL; FRN/MET
AK68-00196-0008	CONS-ASSY: MFG; 95LE-01; FM; PAL; ITL/MET
AK68-00196-0009	CONS-ASSY: MFG; 95LE-01; FM; PAL; DUT/MET
AK68-00196-0010	CONS-ASSY: MFG; 95LE-01; FM; PAL; POR/MET
AK68-00196-0011	CONS-ASSY: MFG; 95LE-01; FM; PAL; CHI/MET
AK68-00196-0012	CONS-ASSY: MFG; 95LE-01; FM; PAL; RUS/MET

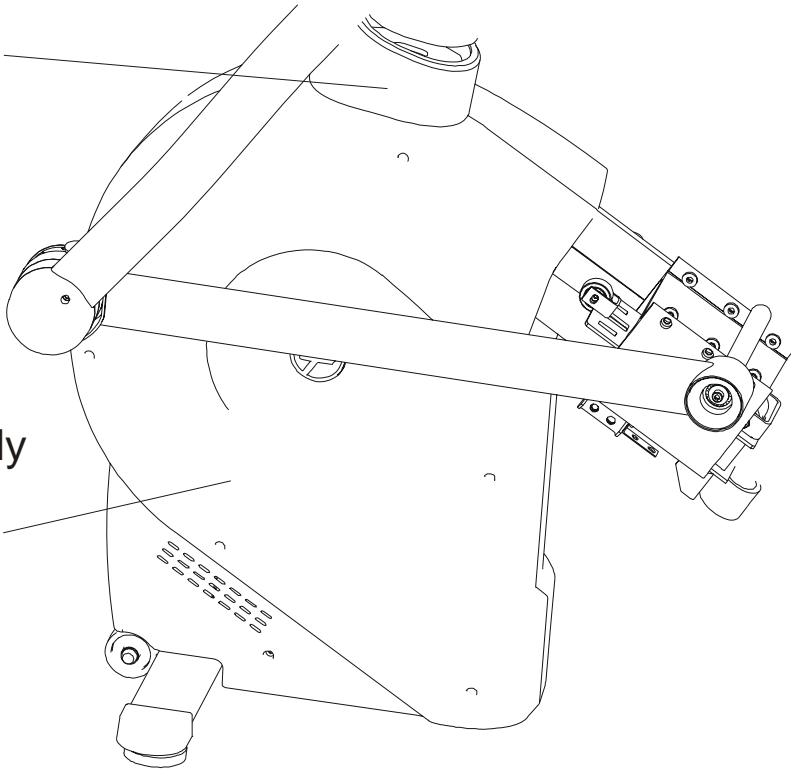


ARCTIC SILVER SUMMIT 95LE
Shrouds, Boot and Rear Step Assembly

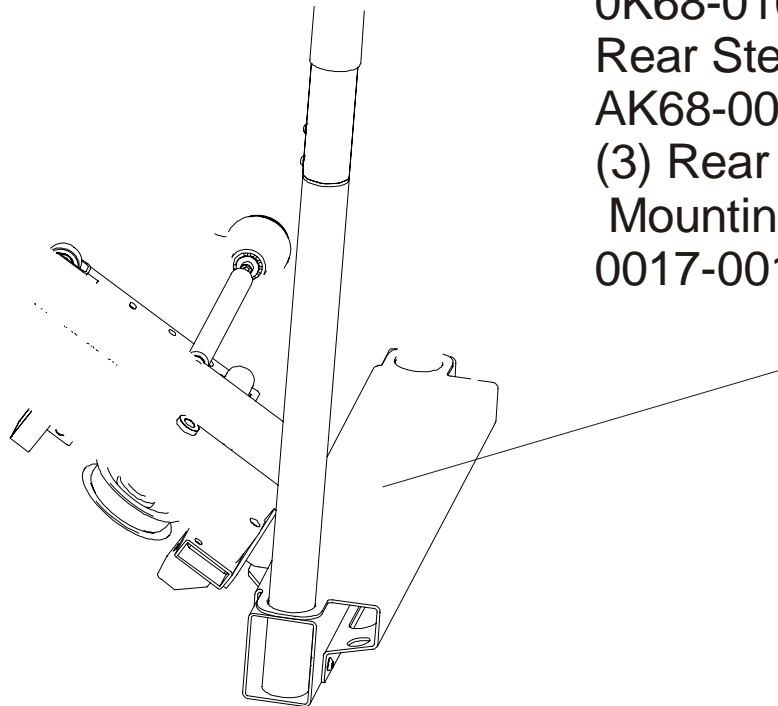
95LE-0XXX-01
S/N LEX100000 AND UP

Monocolumn Boot
0K68-01061-0000

Right Shroud Assembly
AK68-00176-0000
Left Shroud Assembly
AK68-00176-0001
Shroud Mtg. Screws
(6 per shroud)
0017-00101-1796

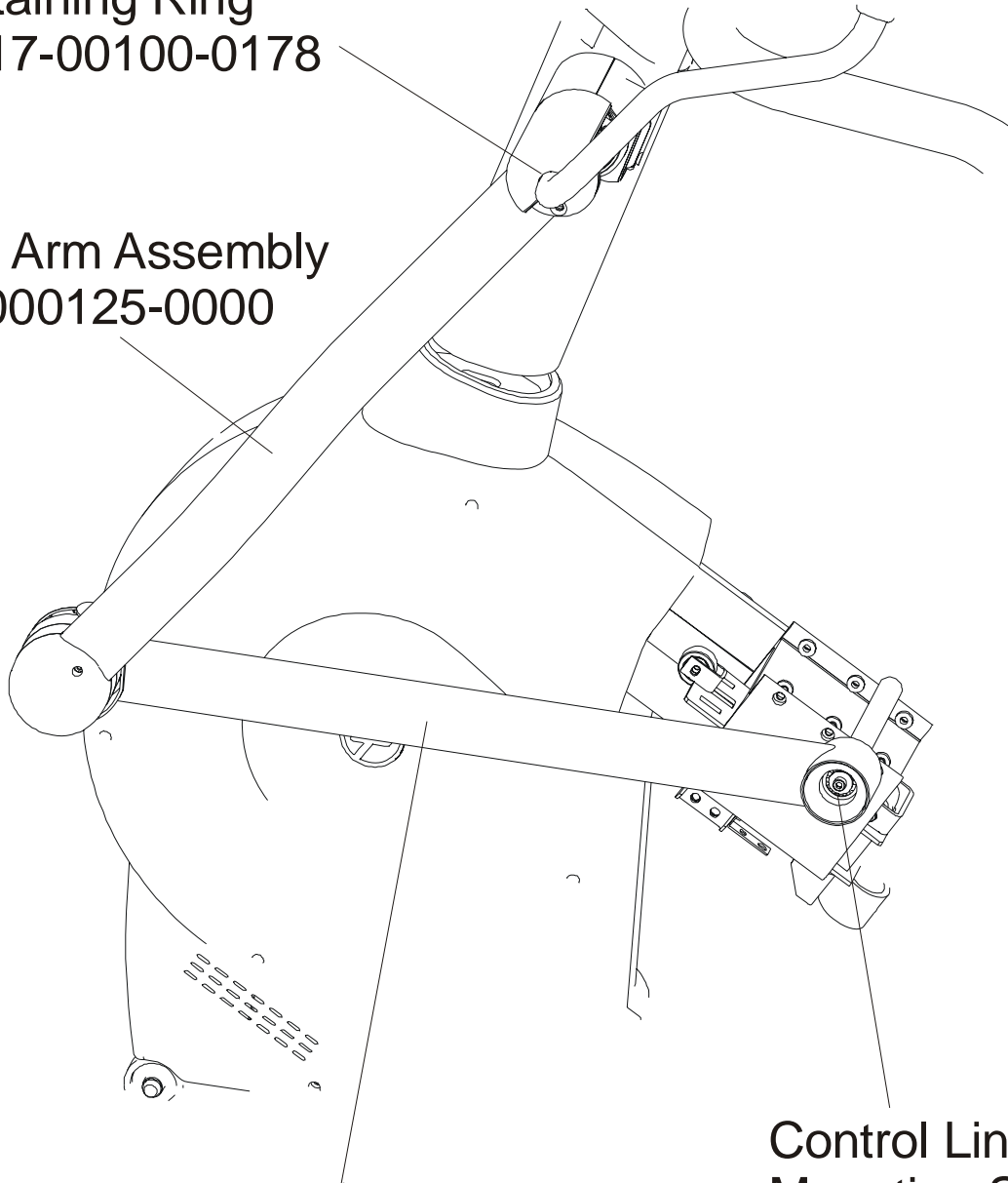


Rear Step (plastic only)
0K68-01020-0000
Rear Step Assembly
AK68-00136-0000
(3) Rear Step
Mounting Screws
0017-00101-1903



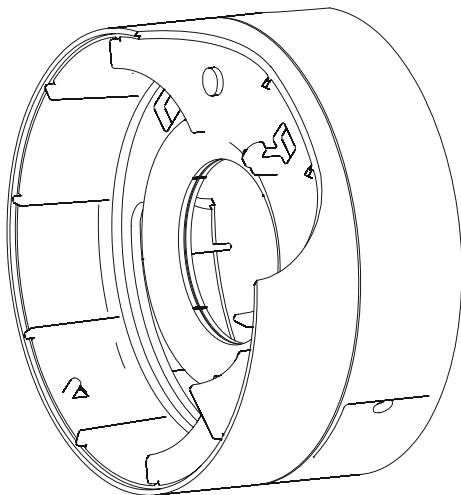
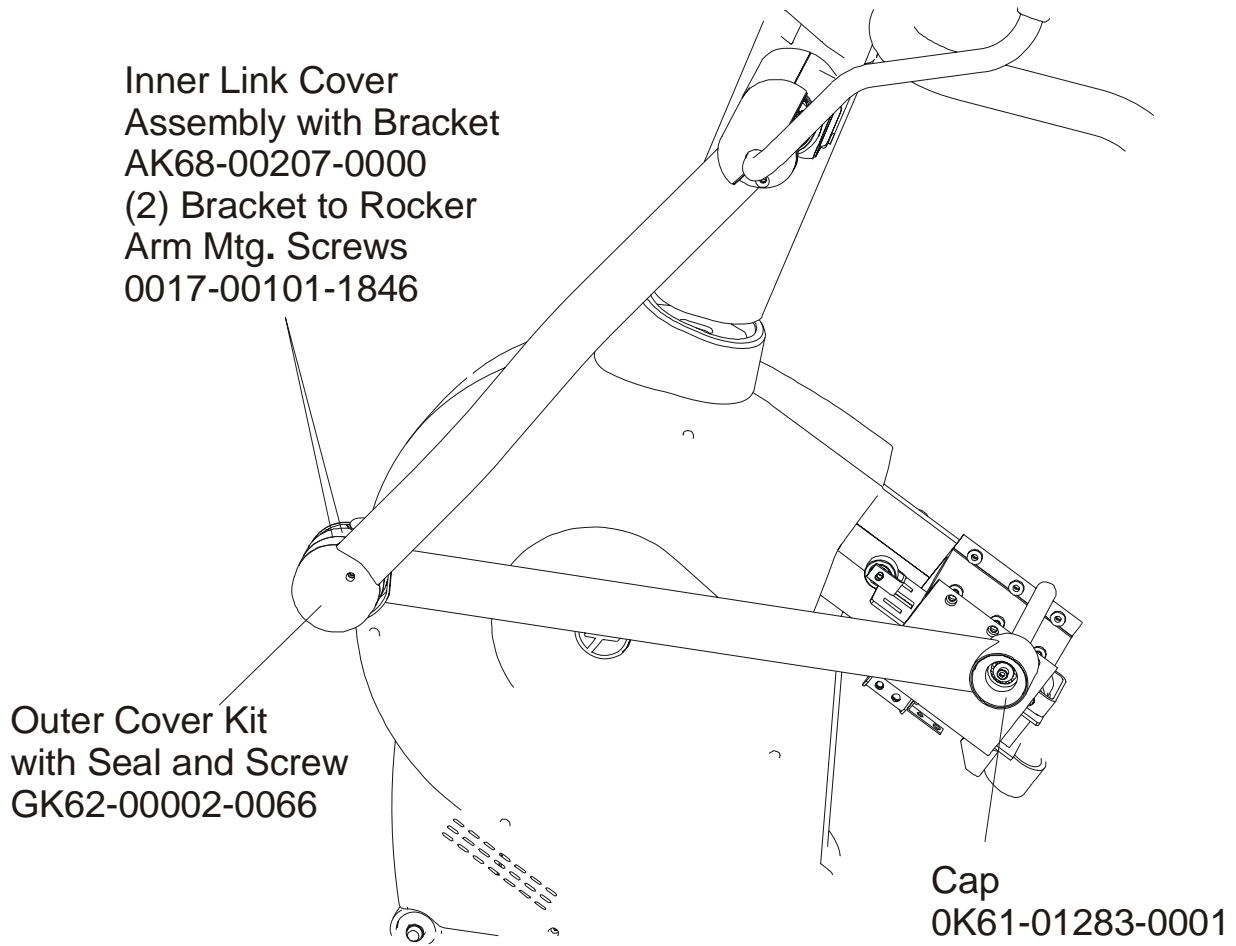
Rocker Arm Washer
0017-00104-0418
Retaining Ring
0017-00100-0178

Rocker Arm Assembly
AK68-000125-0000

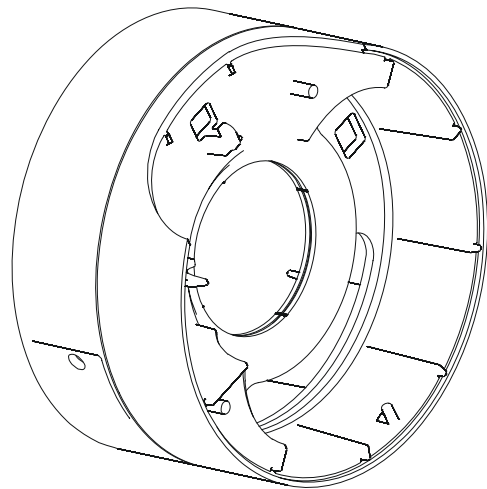


Control Link Assembly
AK68-00147-0000

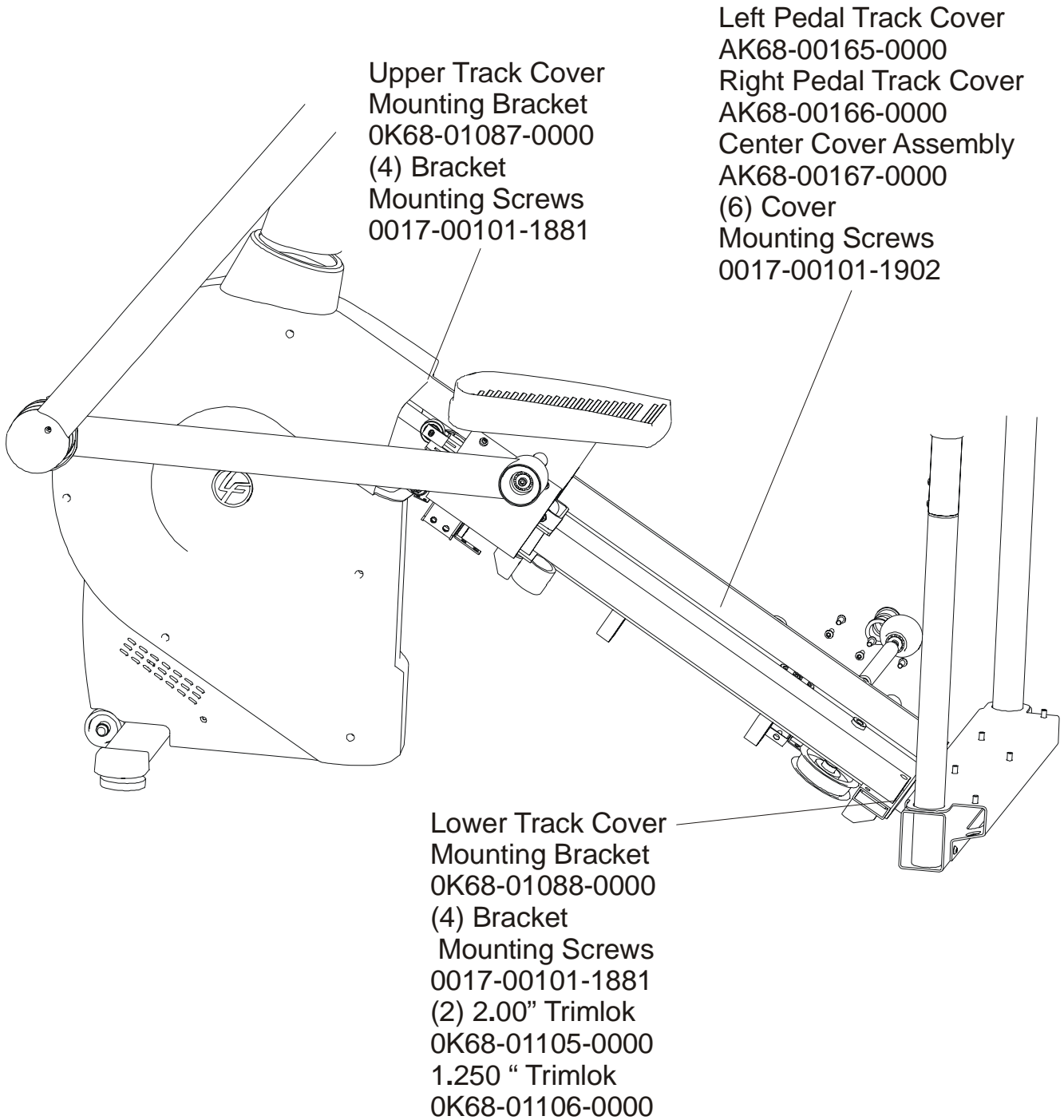
Control Link
Mounting Screw
0017-00101-1881
and Washer
0017-00104-0479

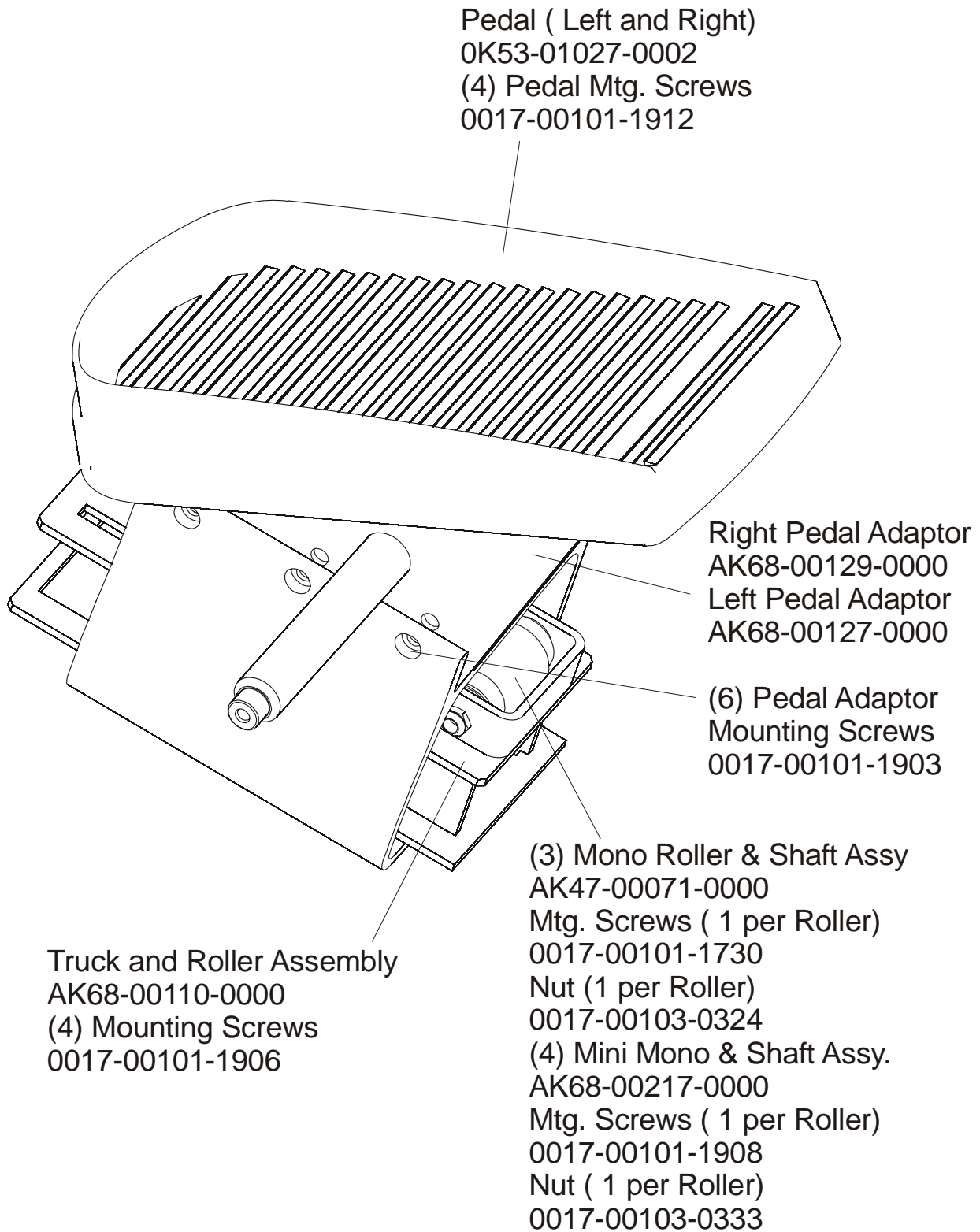


Right Clevis Cover Assy.
AK68-00154-0001



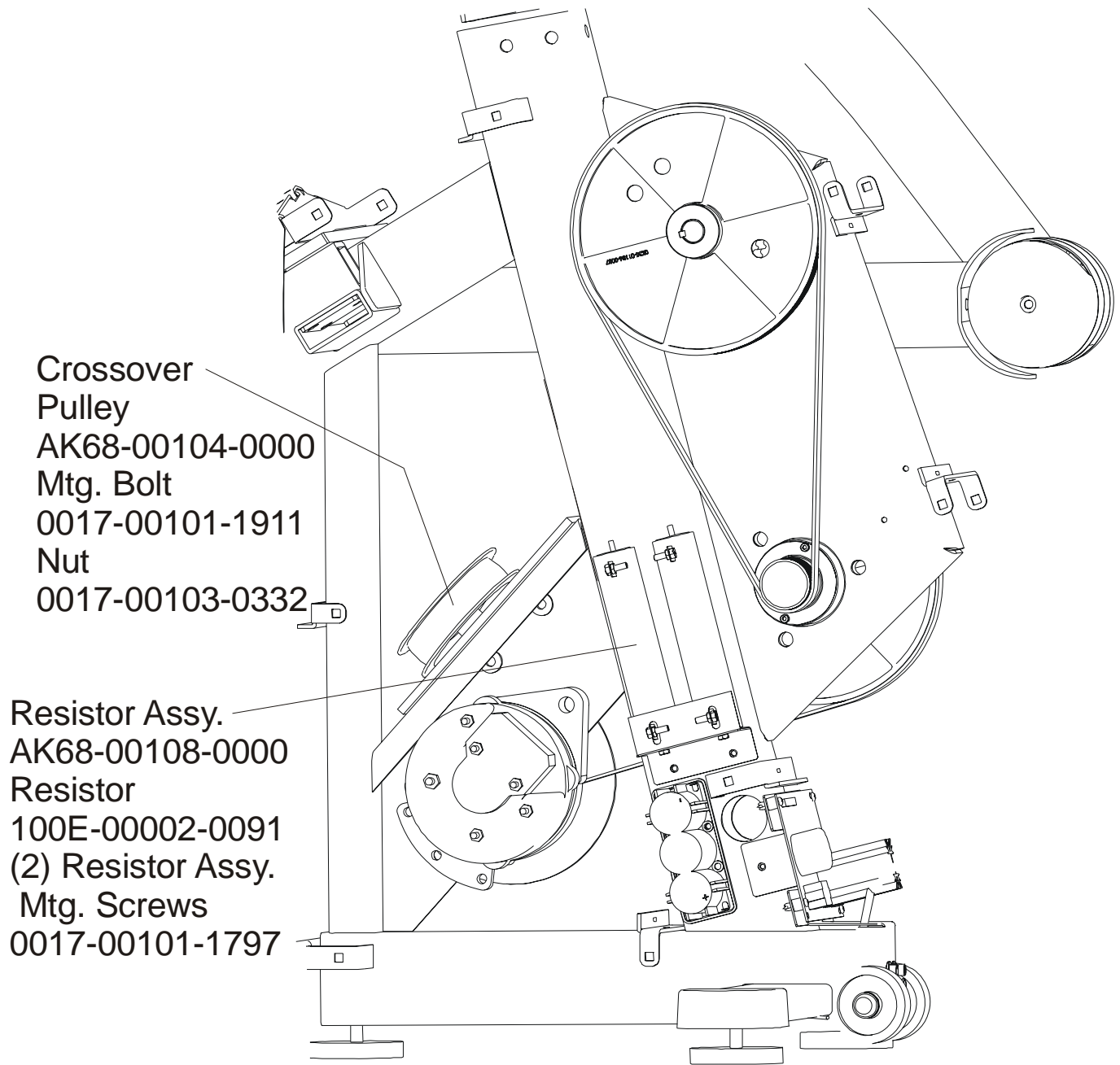
Left Clevis Cover Assy.
AK68-00154-0002

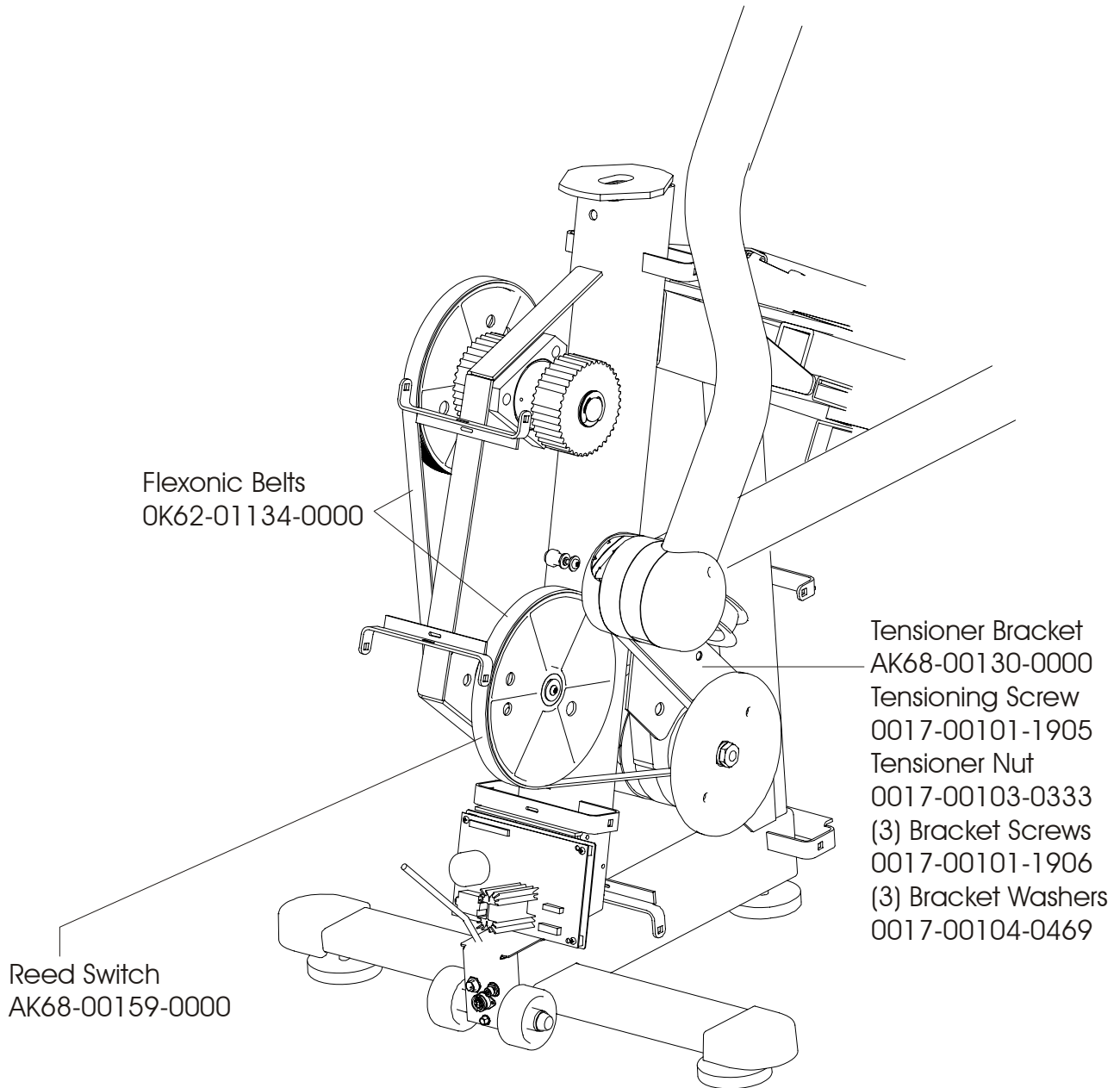


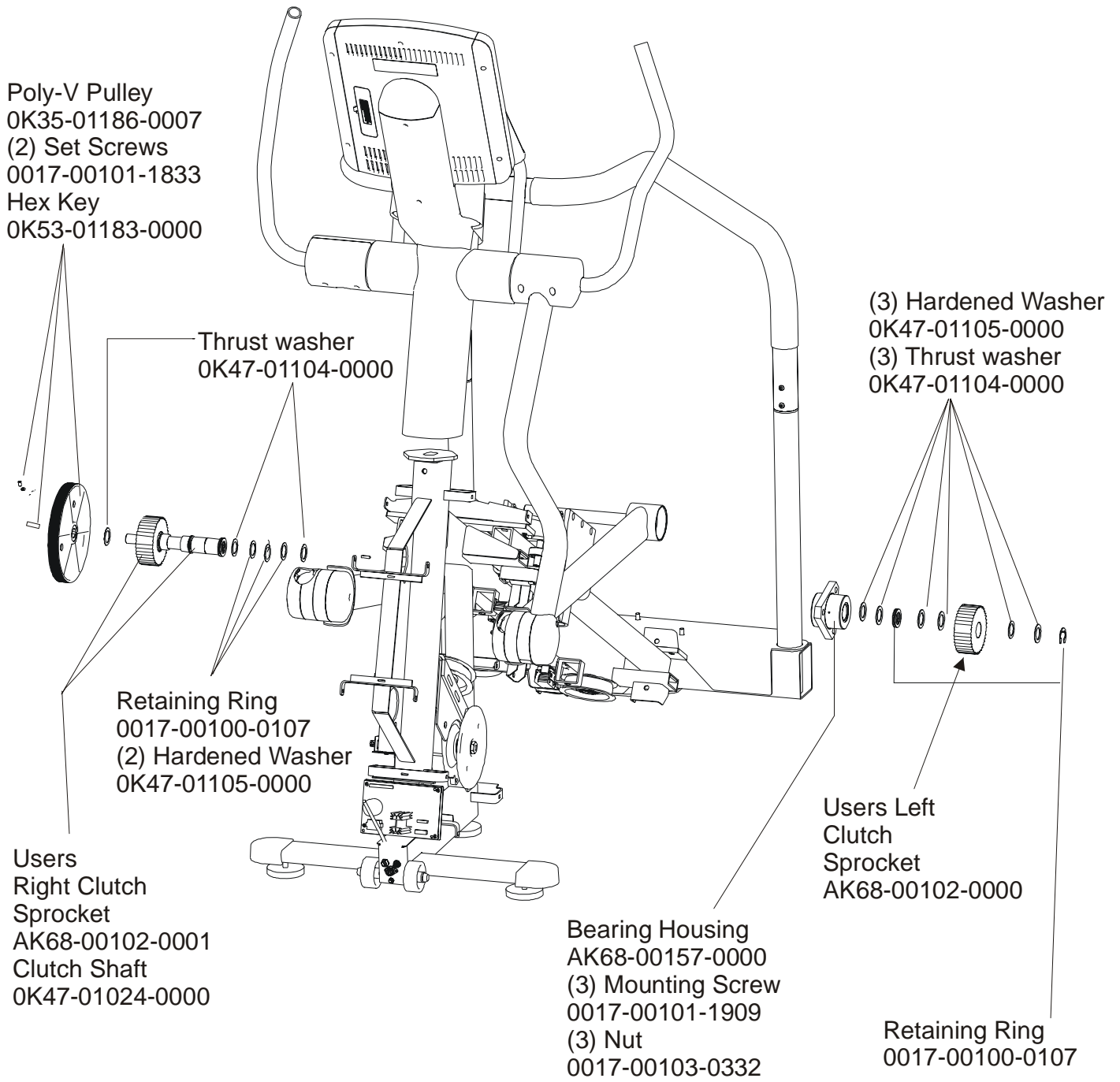


ARCTIC SILVER SUMMIT 95LE
Resistor Assembly and Pulleys

95LE-0XXX-01
S/N LEX100000 AND UP







Poly-V Pulley
OK35-01186-0007
(2) Set Screws
0017-00101-1833
Hex Key
OK53-01183-0000

Thrust washer
OK47-01104-0000

Retaining Ring
0017-00100-0107
(2) Hardened Washer
OK47-01105-0000

Users
Right Clutch
Sprocket
AK68-00102-0001
Clutch Shaft
OK47-01024-0000

(3) Hardened Washer
OK47-01105-0000
(3) Thrust washer
OK47-01104-0000

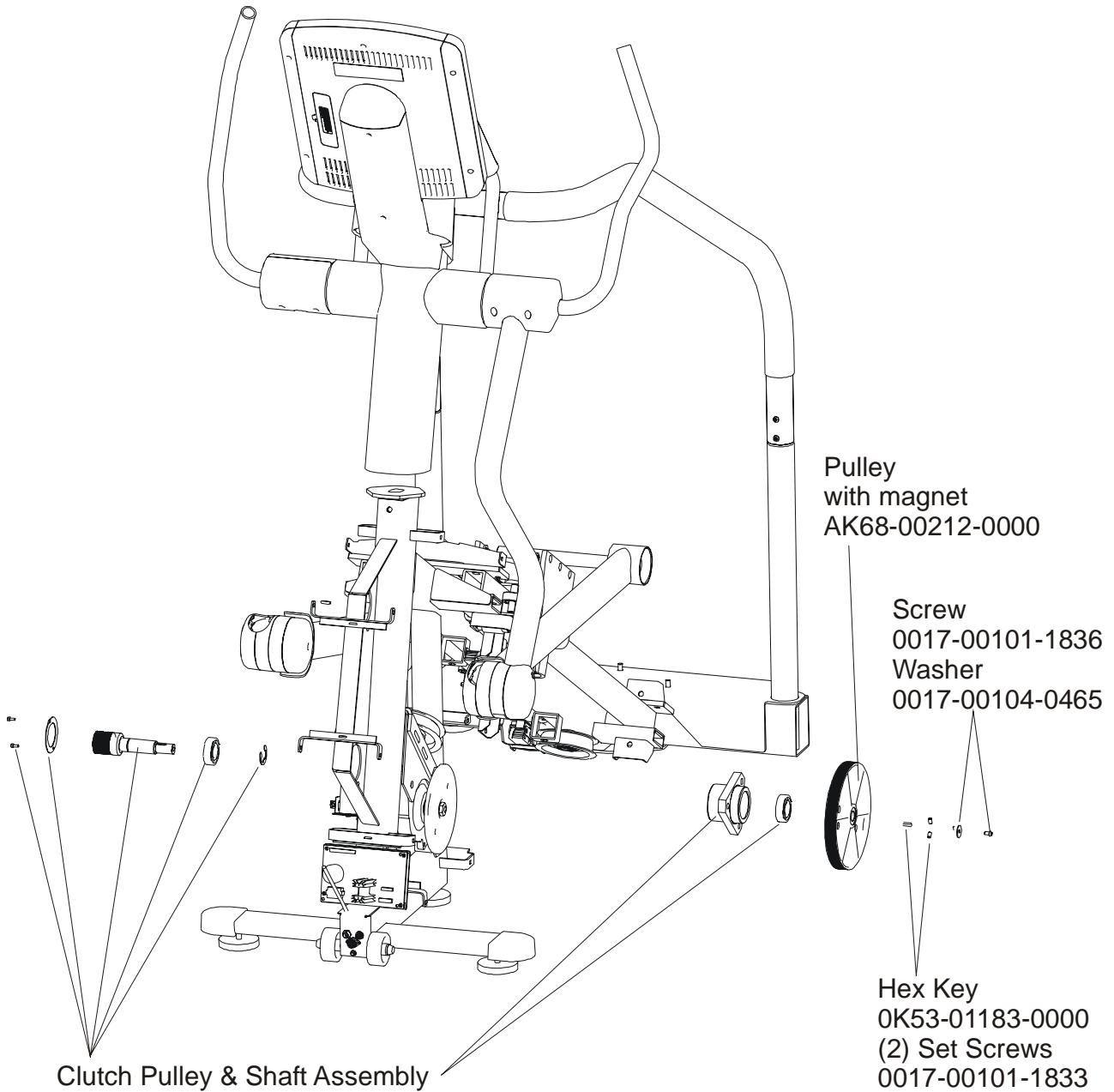
Users Left
Clutch
Sprocket
AK68-00102-0000

Bearing Housing
AK68-00157-0000
(3) Mounting Screw
0017-00101-1909
(3) Nut
0017-00103-0332

Retaining Ring
0017-00100-0107

ARCTIC SILVER SUMMIT 95LE
Clutch Pulley and Shaft Assembly

95LE-0XXX-01
S/N LEX100000 AND UP



Note: The following parts
are used on each end
of both Timing Belts:

Belt Terminator

0K35-01105-0000

Bracket

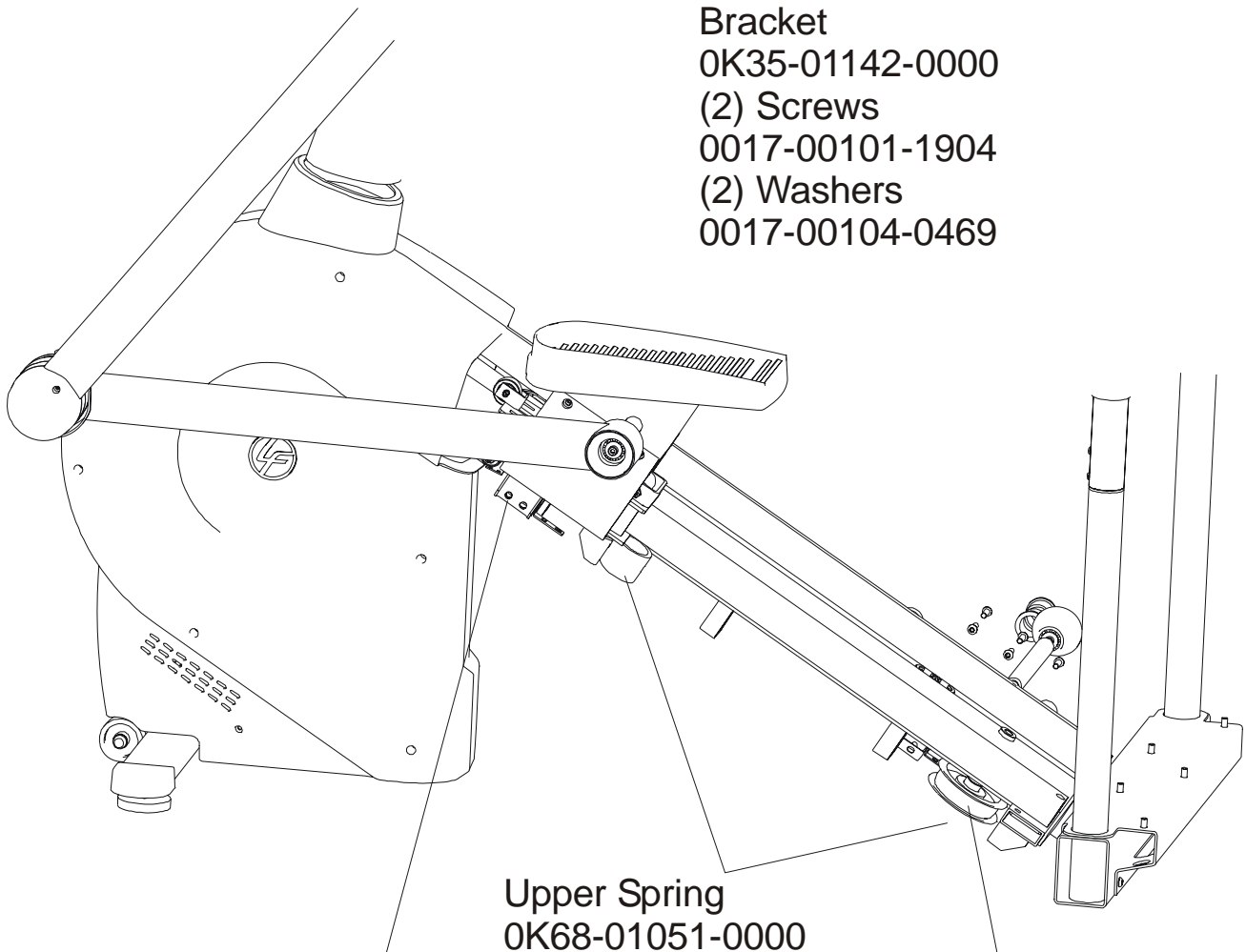
0K35-01142-0000

(2) Screws

0017-00101-1904

(2) Washers

0017-00104-0469



Upper Timing Belt
AK68-00210-0000

Upper Spring

0K68-01051-0000

Lower Spring

0K68-01081-0000

Spring Mtg. Screws

(1 per Spring)

0017-00101-1902

Washers

(1 per Spring)

0017-00104-0465

Crossover Pulley

AK68-00104-0000

Pulley Mtg. Screw

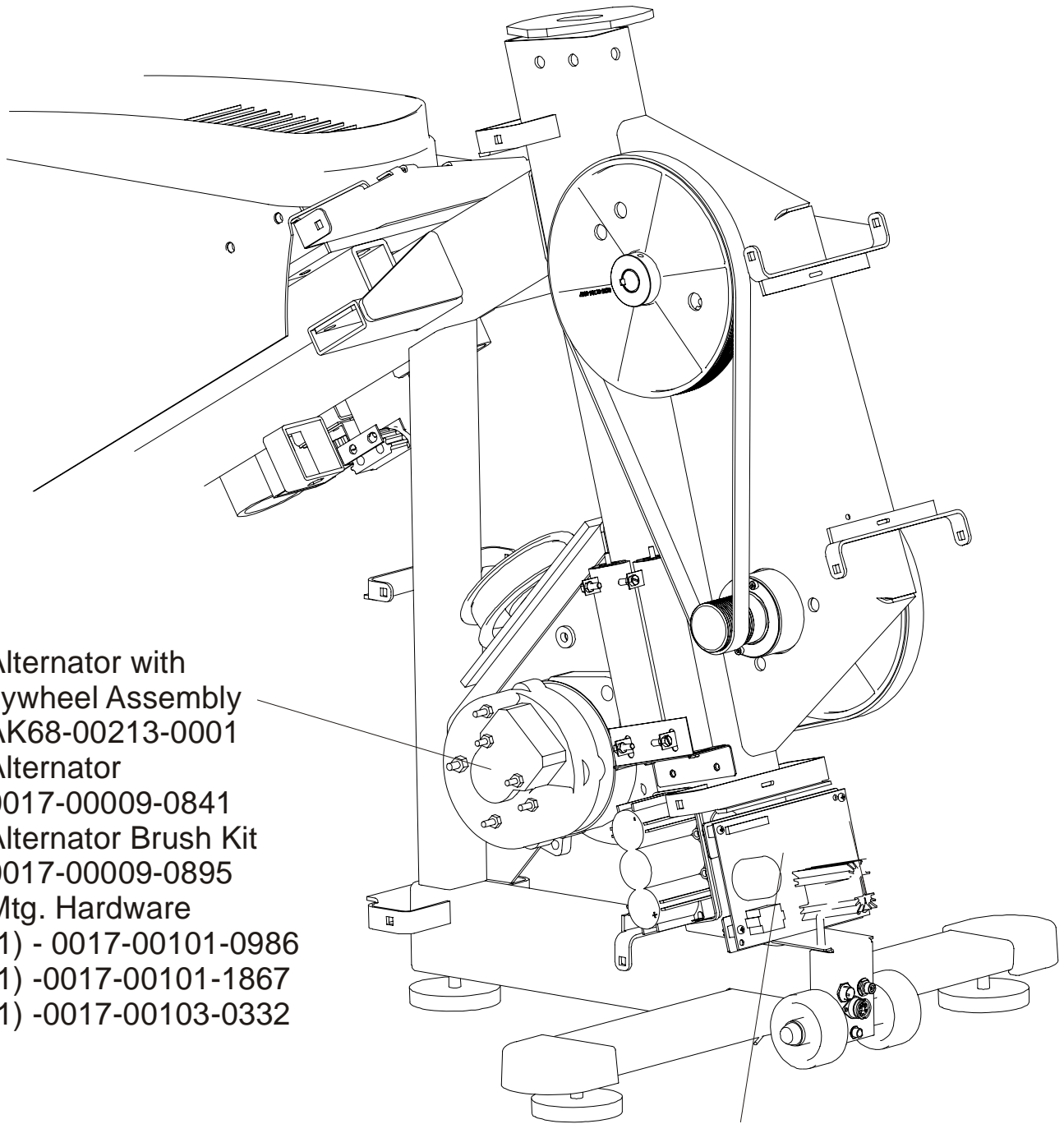
0017-00101-1911

Nut

0017-00103-0332

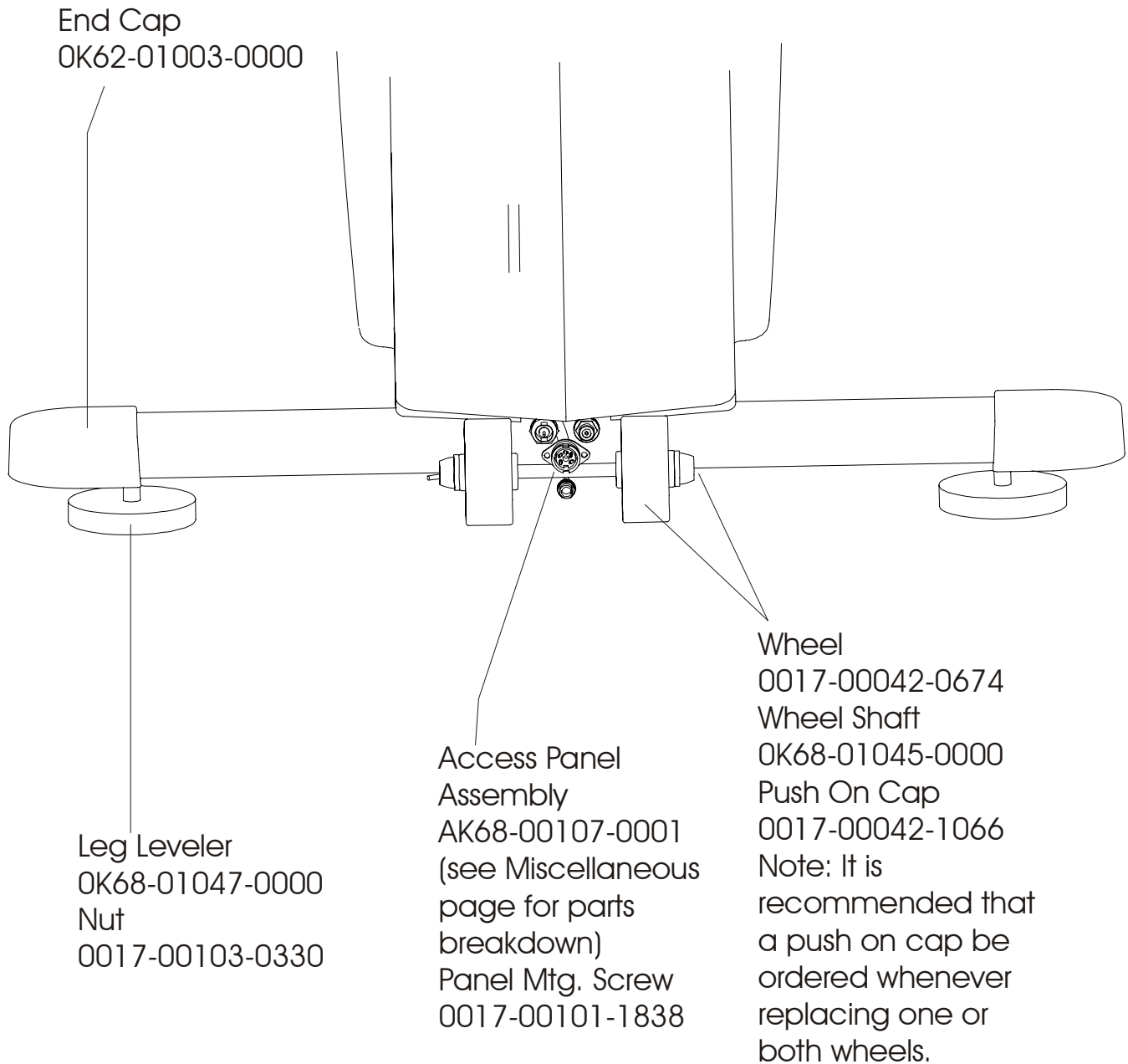
Lower Timing Belt

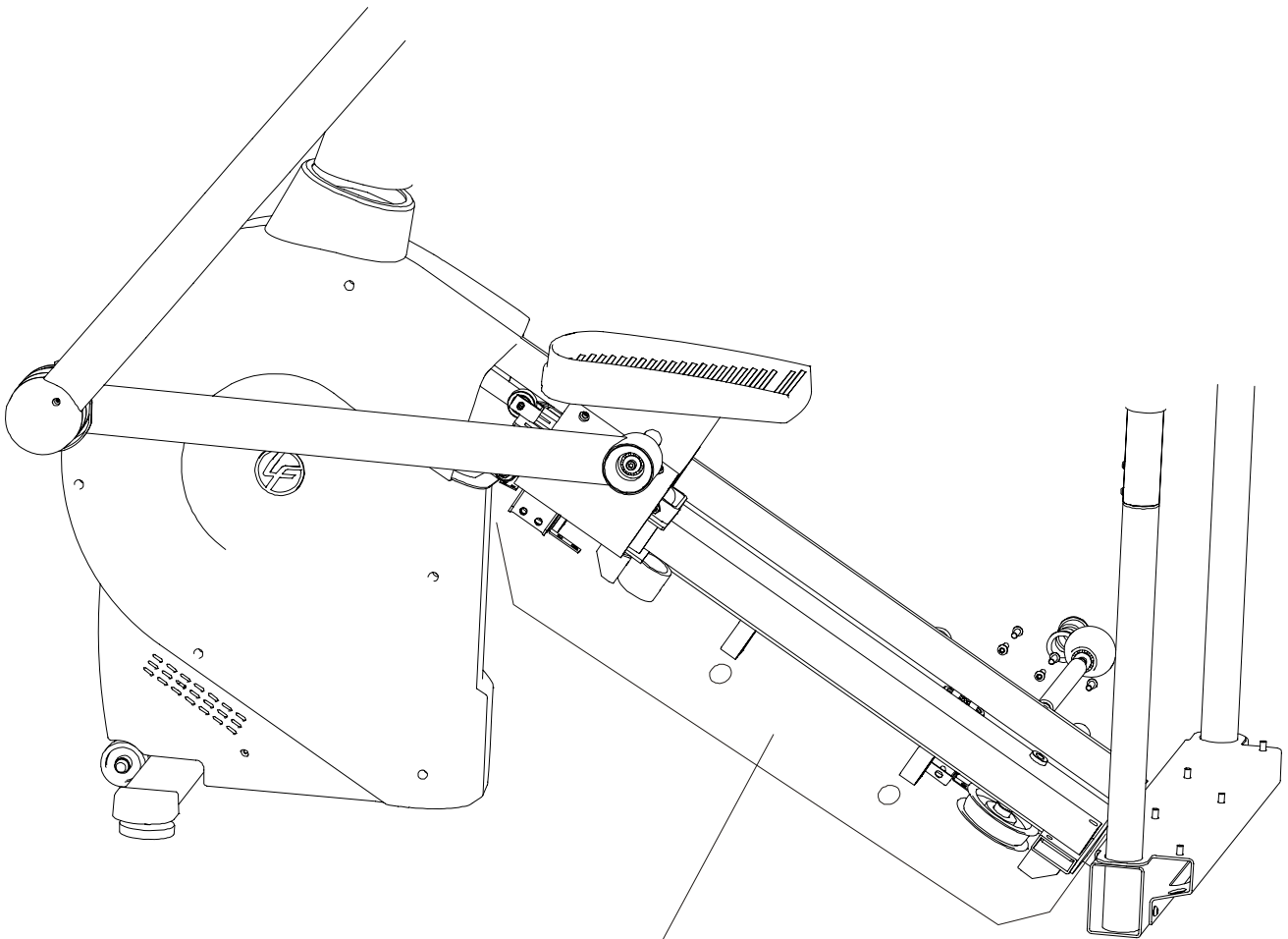
AK68-00211-0000



Alternator with
flywheel Assembly
AK68-00213-0001
Alternator
0017-00009-0841
Alternator Brush Kit
0017-00009-0895
Mtg. Hardware
(1) - 0017-00101-0986
(1) - 0017-00101-1867
(1) - 0017-00103-0332

Power Control Board
B084-92280-A000
(4) PCB Mtg. Screws
0017-00101-1838





Lower Track Cover Assembly

AK68-00220-0000

Mounting Screw (3)

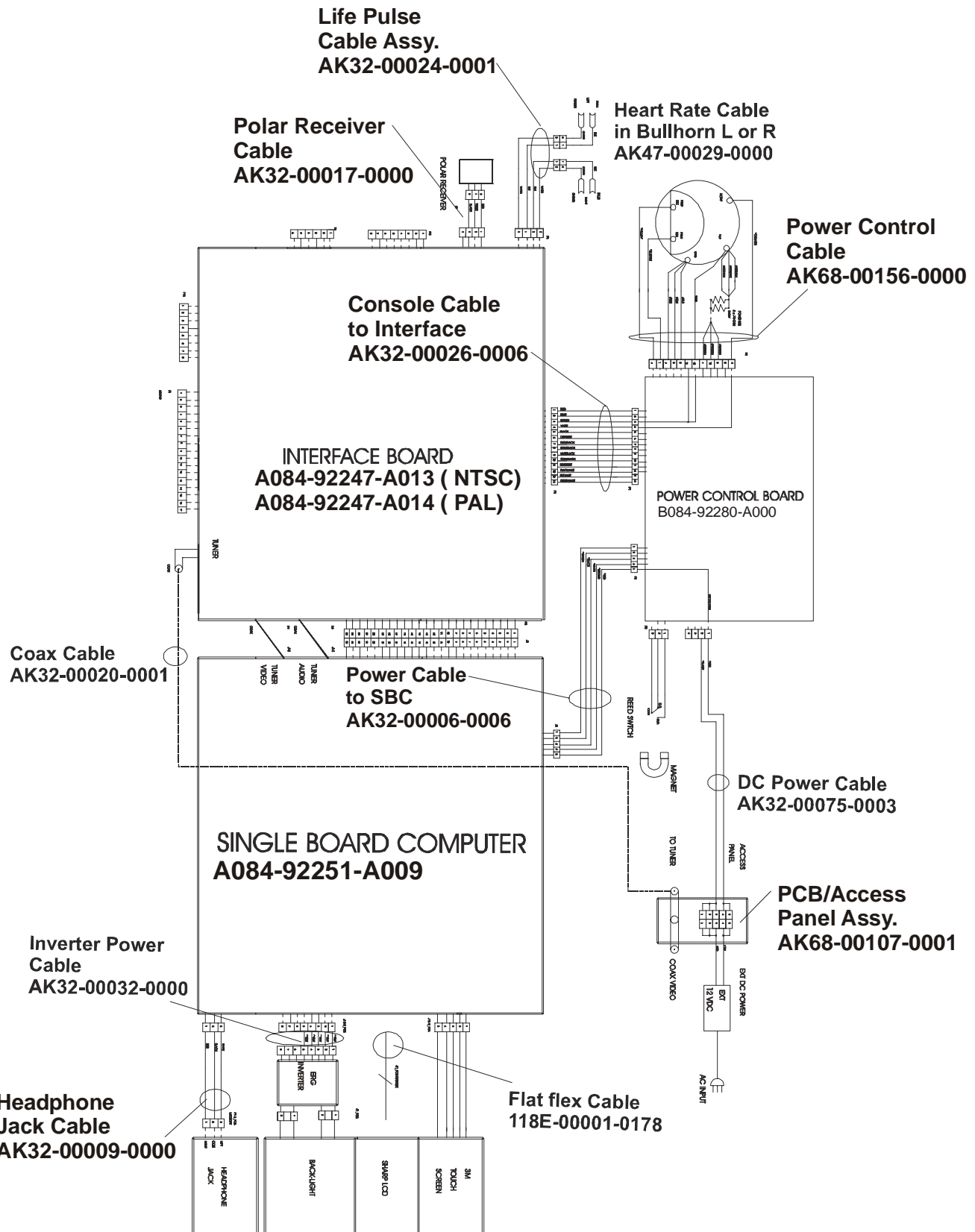
0017-00101-1906

Washer, Nylon (3)

0017-00104-0485

Flat Washer (3)

0017-00104-0479



Free Manuals Download Website

<http://myh66.com>

<http://usermanuals.us>

<http://www.somanuals.com>

<http://www.4manuals.cc>

<http://www.manual-lib.com>

<http://www.404manual.com>

<http://www.luxmanual.com>

<http://aubethermostatmanual.com>

Golf course search by state

<http://golfingnear.com>

Email search by domain

<http://emailbydomain.com>

Auto manuals search

<http://auto.somanuals.com>

TV manuals search

<http://tv.somanuals.com>