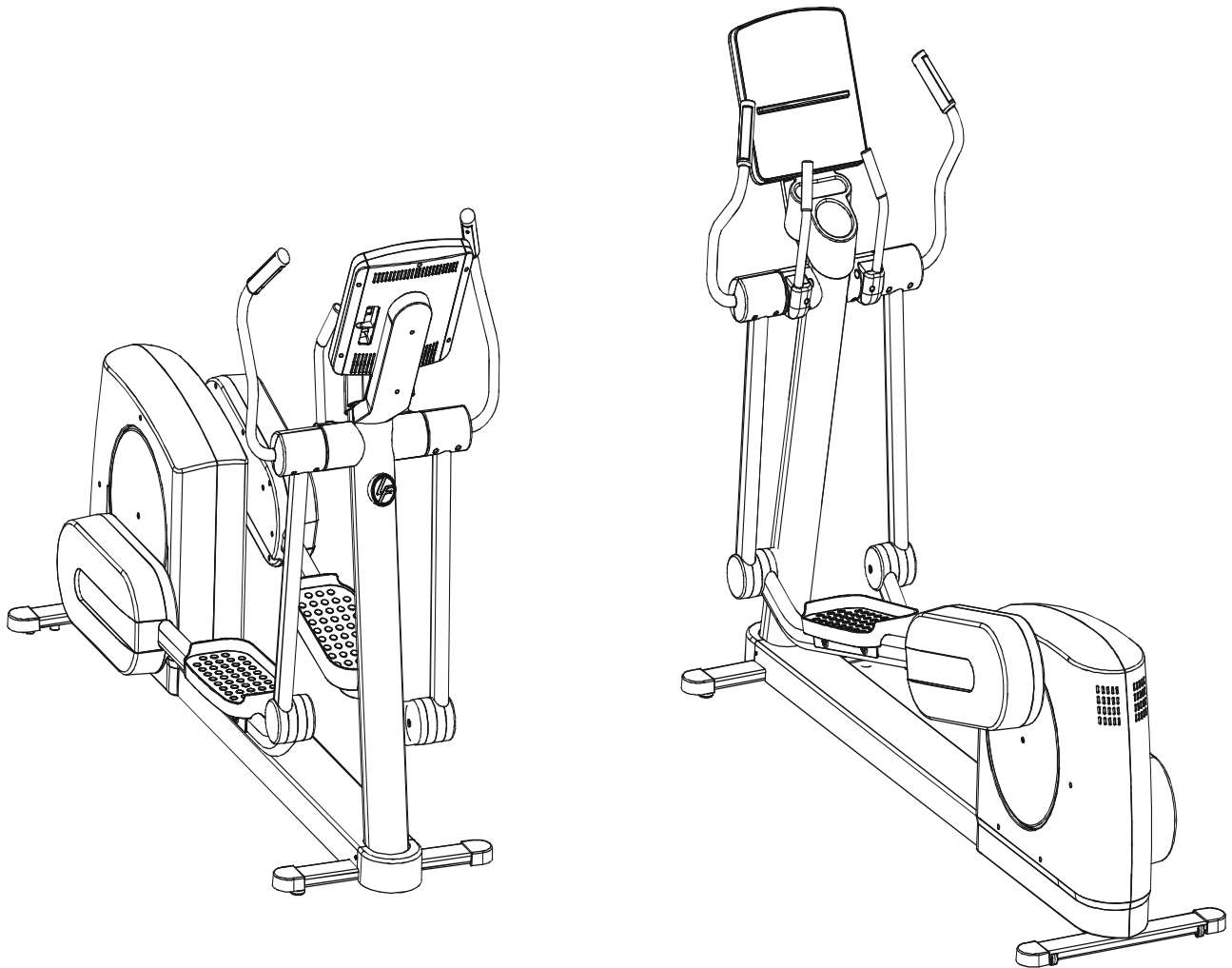


LifeFitness

ARCTIC SILVER CROSS-TRAINER 95XW-0XXX-02



Customer Support Services PARTS MANUAL rev 31 Jul 2008

OPERATION MANUAL	M051-00K62-A107
TOUCH UP PAINT: SPRAY CAN .5 OZ BOTTLE W/APPLICATOR .33 OZ PEN	0017-00008-0204 0017-00008-0205 0017-00008-0206
SERVICE MANUAL	M051-00K62-A060
PLUG IN OPTION 120/60	GK62-00002-0018
PLUG IN OPTION 240/50 UK	GK62-00002-0019
PLUG IN OPTION 240v AUS	GK62-00002-0020
PLUG IN OPTION 230/50 CONT	GK62-00002-0021
POWER CABLE W/BRACKET ASSY. ASSEMBLY CONSISTS OF: 1) COAX CABLE 2) POWER EXTENSION CABLE 3) ACCESS PANEL BRACKET 4) F TYPE CONNECTOR 5) PLASTIC GROMMET (QTY. 2)	AK62-00210-0000 AK32-00020-0002 AK32-00078-0001 OK62-01179-0001 0017-00021-2846 0017-00042-0754
HARDWARE BAG	AK62-00152-0001

**NOTE: ADDING THE BOLT ON LCD SCREEN TO THE
95XW-0XXX-02 MAKES THE UNIT A 95XER-0XXX-02.**

	Page
CONSOLE SUPPORT & DEADSHAFT COVERS	4
HANDLEBARS AND BULLHORNS	5
CONSOLE AND RELATED COMPONENTS.....	6
UPPER FRAME HARDWARE	7
ROCKER ARMS AND PEDAL LEVERS	8
CRANK COVER AND LOWER CAPS	9
LOWER FRAME SHROUDS AND HARDWARE.....	10
PEDAL LEVER COMPONENTS	11
DRIVE MODULE COMPONENTS AND MAIN CABLE	12
DRIVE MODULE HARDWARE	13
CABLES.....	14

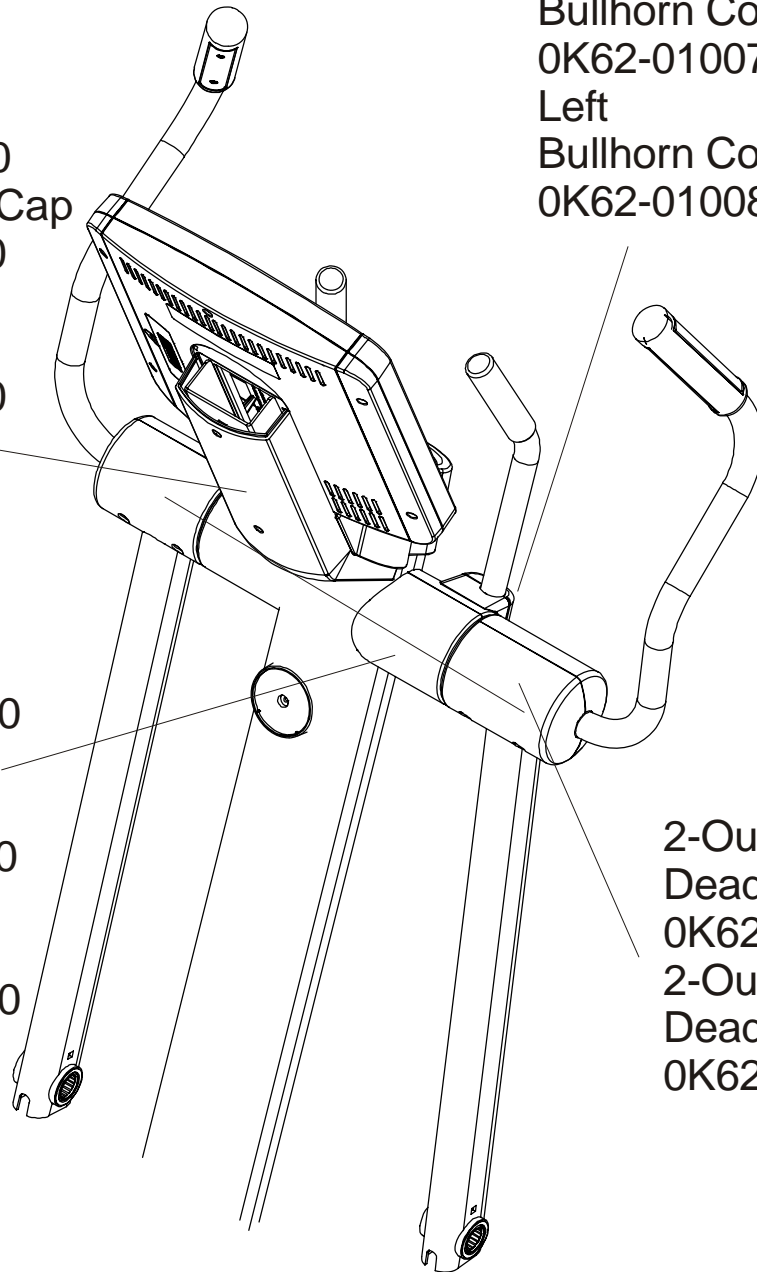
Note: The 95Xi comes with both Telemetry and LifePulse Sensors.

Console Support
AK62-00123-0000
Console Support Cap
OK62-01030-0000
Console Support
Shroud
OK62-01023-0000

Right
Bullhorn Cover
OK62-01007-0001
Left
Bullhorn Cover
OK62-01008-0001

Right Inside
Deadshaft Cover
OK62-01010-0000
Left Inside
Deadshaft Cover
OK62-01011-0000
2-Front Inside
Deadshaft Cover
OK62-01009-0000

2-Outside Front
Deadshaft Cover
OK62-01013-0000
2-Outside Rear
Deadshaft Cover
OK62-01012-0000



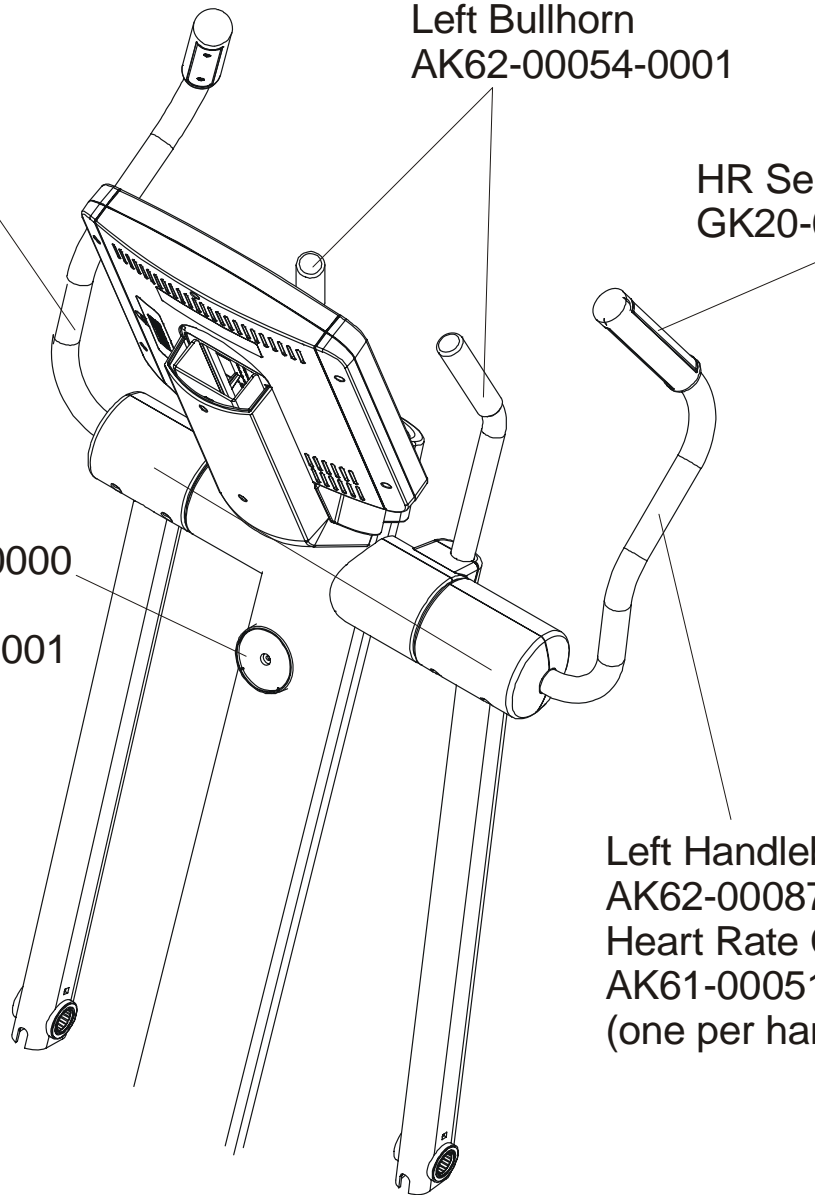
Right Handlebar
AK62-00086-0000

*Right Bullhorn
AK62-00053-0001
Left Bullhorn
AK62-00054-0001

HR Sensor Kit
GK20-00002-0005

Medallion Bug
AK58-00245-0000
Bug Adaptor
0K62-01034-0001

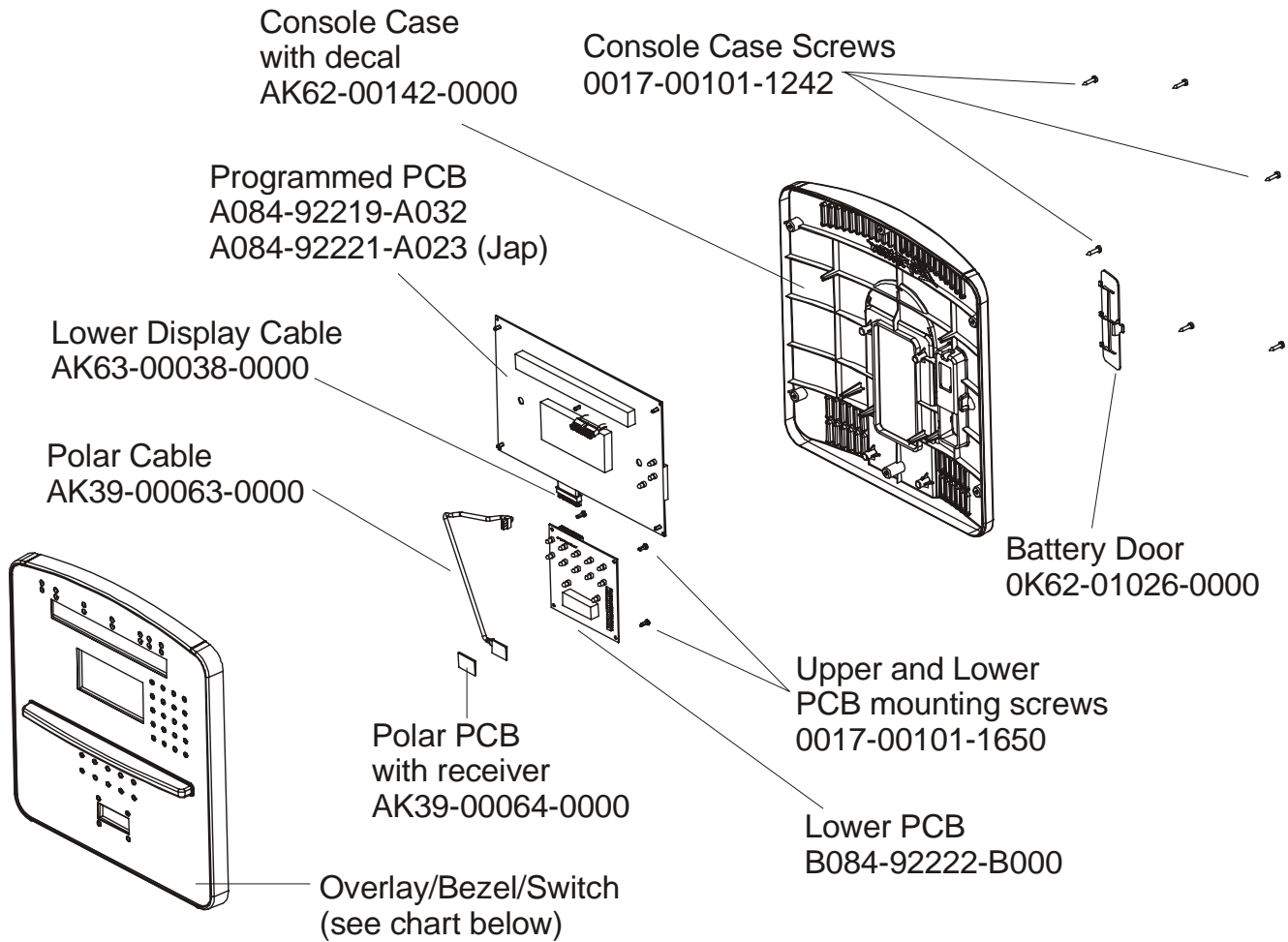
Left Handlebar
AK62-00087-0000
Heart Rate Cable
AK61-00051-0001
(one per handlebar)



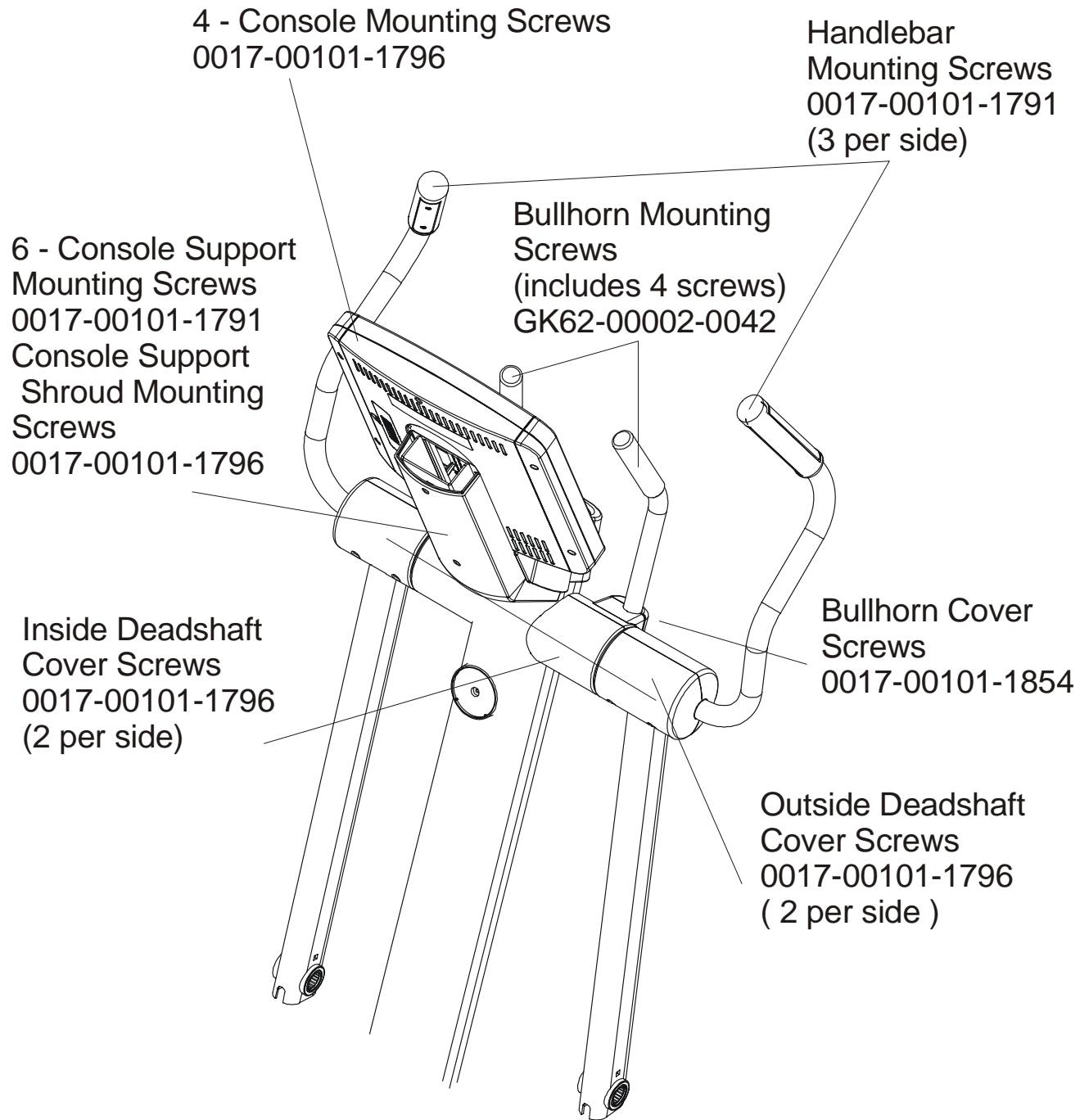
*Right Bullhorn Assembly consists of: AK62-00057-0001 Bullhorn,
0K62-01136-0000 Grip and 0K62-01199-0000 Gasket
Left Bullhorn Assembly consists of: AK62-00058-0001 Bullhorn,
0K62-01136-0000 Grip and 0K62-01199-0000 Gasket

ARCTIC SILVER 95XW
Console & Related components

95XW-0XXX-02
S/N AWG100000 and up



CONSOLE	OVERLAY/BEZEL/SWITCH	LANGUAGE
AK62-00149-0001	AK62-00191-0001	Eng + Met
AK62-00149-0003	AK62-00191-0003	Ger/Met
AK62-00149-0004	AK62-00191-0004	Spn/Met
AK62-00149-0006	AK62-00191-0006	Jap/Met
AK62-00149-0007	AK62-00191-0007	Frn/Met
AK62-00149-0008	AK62-00191-0008	Ital/Met
AK62-00149-0009	AK62-00191-0009	Dut/Met
AK62-00149-0010	AK62-00191-0010	Port/Met



Items Not Shown:

Accessory Tray	0K62-01022-0000
Mounting Screws (2)	0017-00101-1846

ARCTIC SILVER 95XW

Rocker Arms & Pedal Levers

95XW-0XXX-02
S/N AWG100000 and up

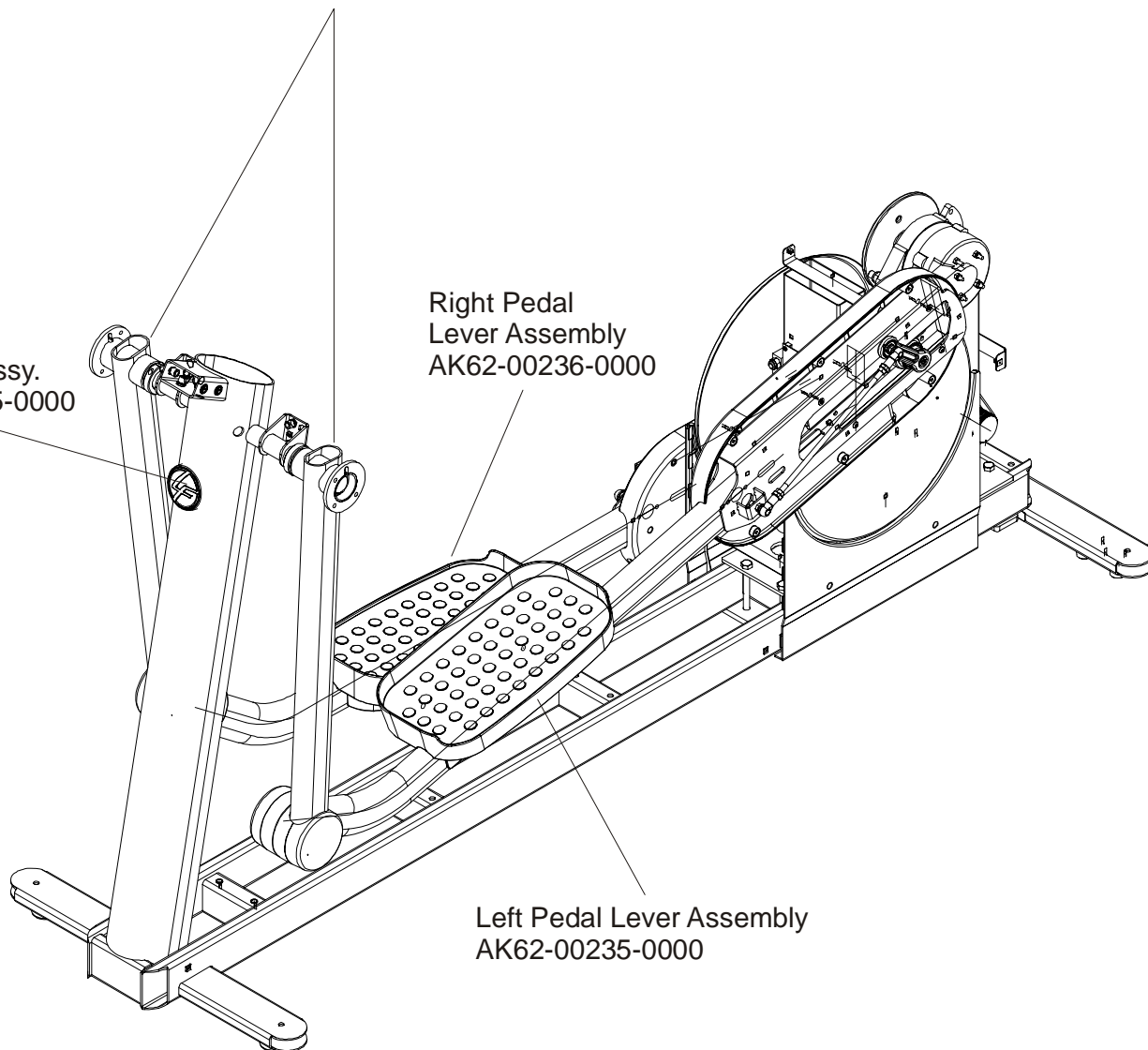
Rocker Arms Kit
GK62-00002-0070
contents:
Rocker Arms (2)
Hardened Spacers (2)
Oilite Washers (2)
Retaining Rings (2)
Loctite 620
Alcohol pad

Rocker Arms
AK62-00002-0070
Shaft Collar w/Screws
OK61-01259-0000

LF Bug
Medallion Assy.
AK58-00245-0000

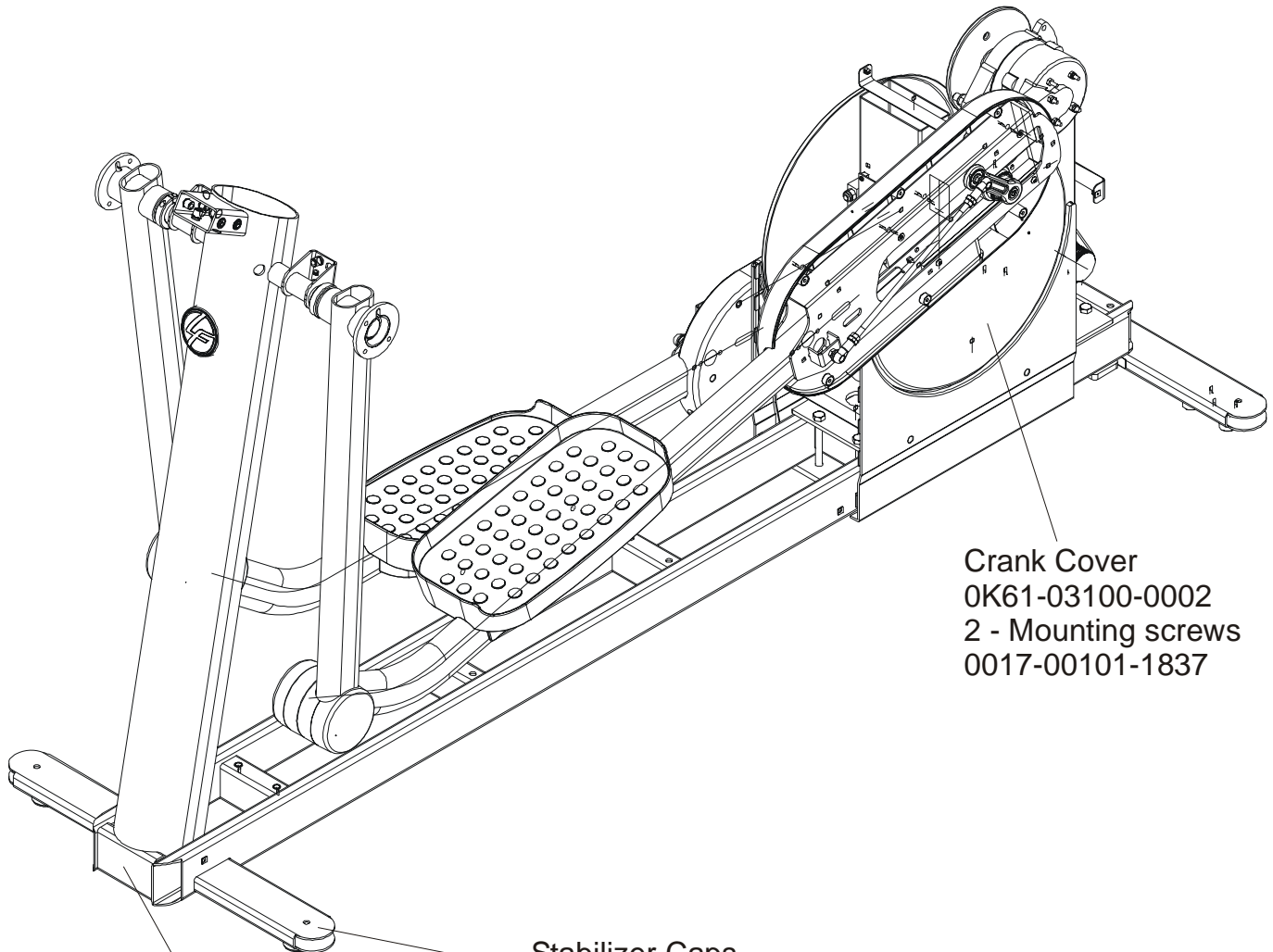
Right Pedal
Lever Assembly
AK62-00236-0000

Left Pedal
Lever Assembly
AK62-00235-0000



ARCTIC SILVER 95XW
Crank Cover and Lower Caps

95XW-0XXX-02
S/N AWG100000 and up



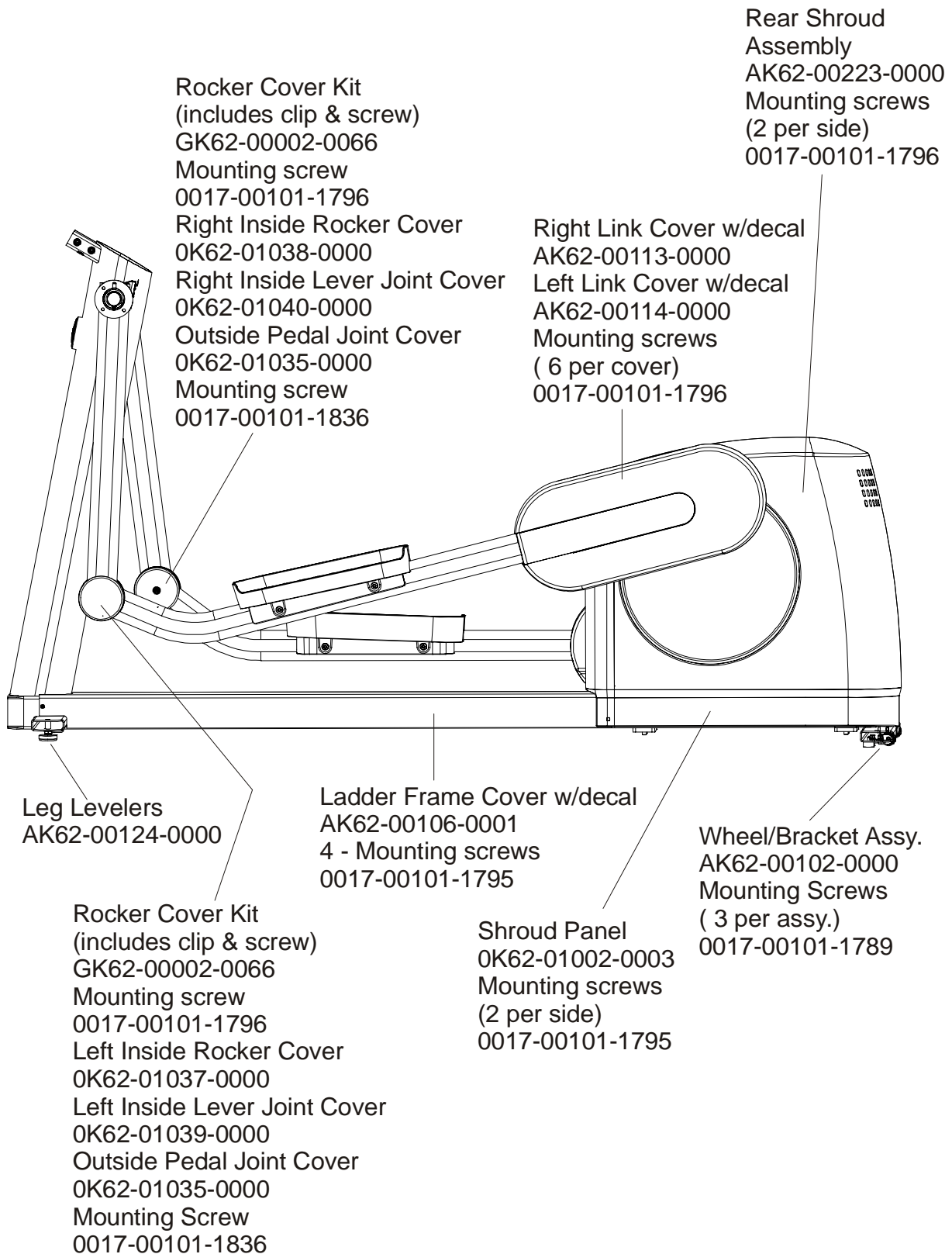
Crank Cover
OK61-03100-0002
2 - Mounting screws
0017-00101-1837

Stabilizer Caps
4 - OK62-01003-0000

Front frame Cap
OK62-01004-0000
Mounting Screws
(Located on front sides of Ladder Frame Cover)
2- 0017-00101-1795

ARCTIC SILVER 95XW
Lower Frame Shrouds & Hardware

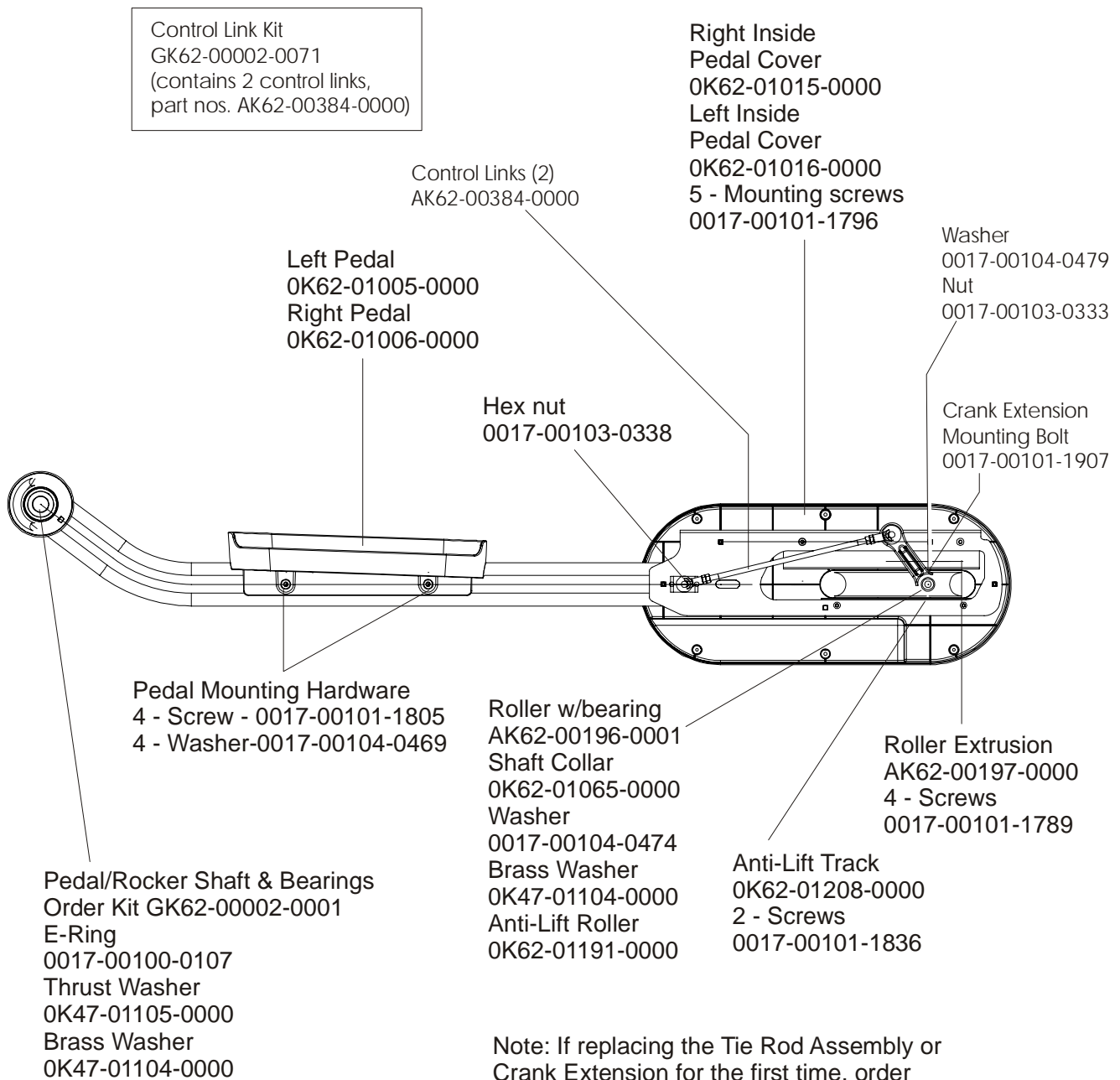
95XW-0XXX-02
S/N AWG100000 and up



ARCTIC SILVER 95XW

Pedal Lever Assembly Components

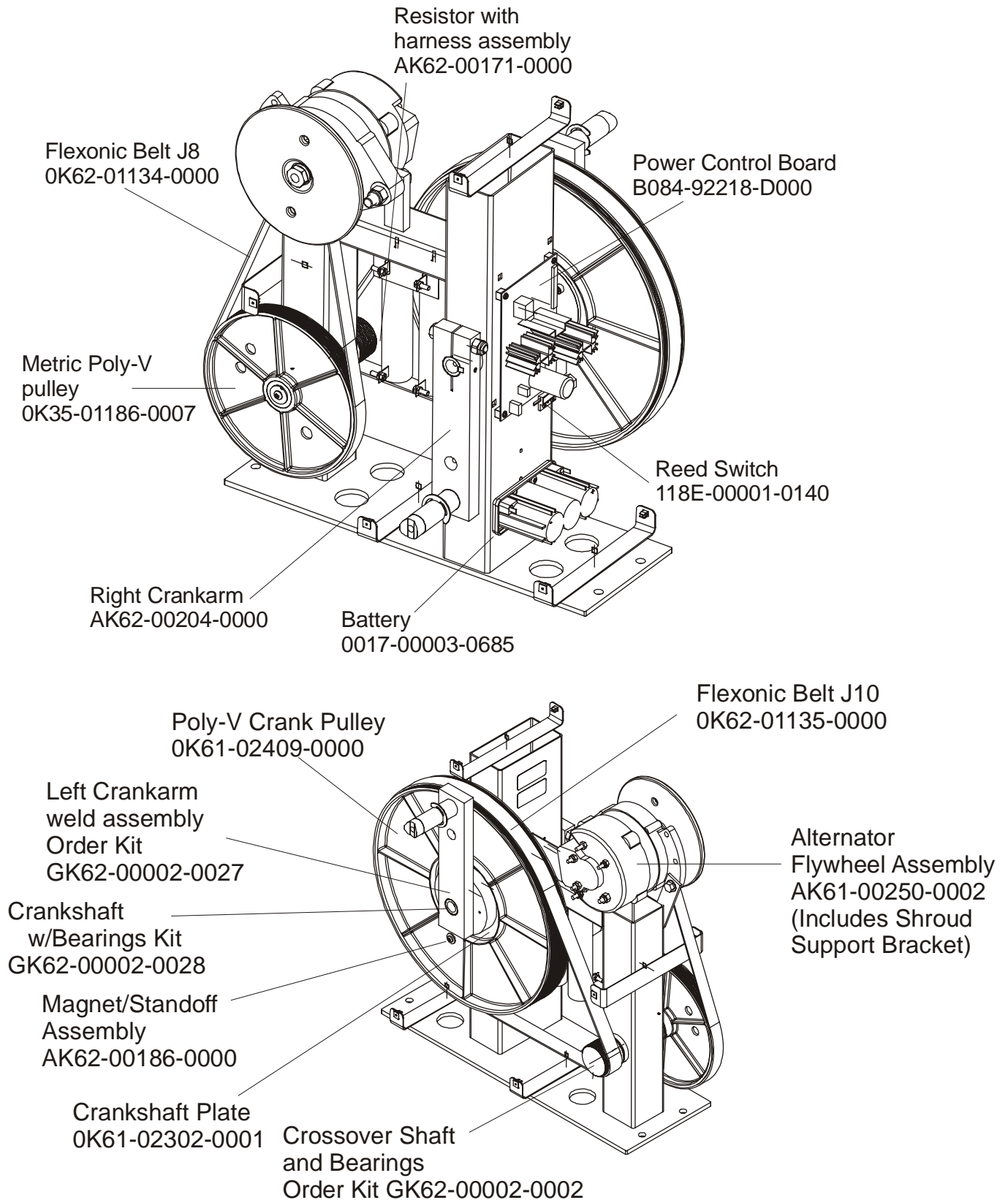
95XW-0XXX-02
S/N AWG100000 and up

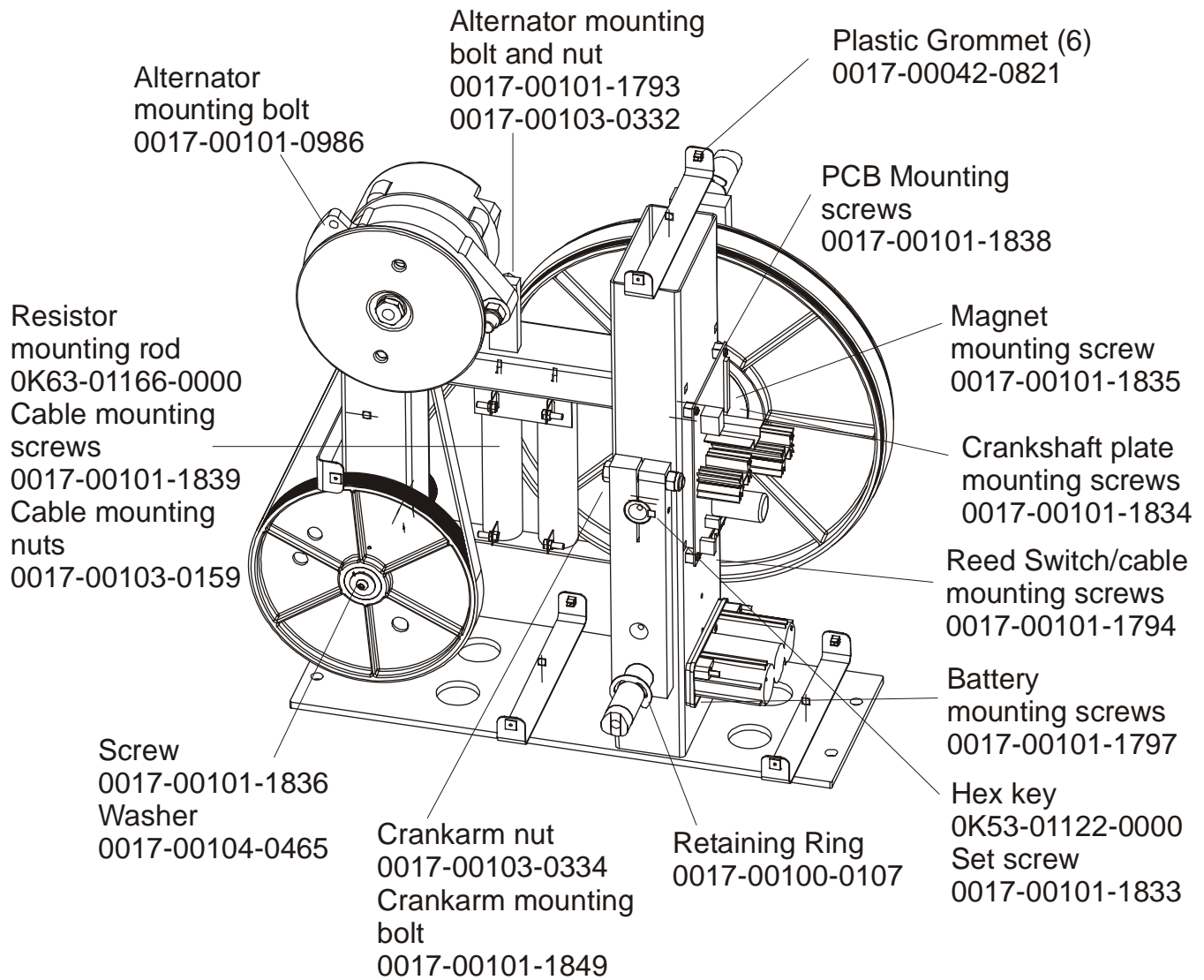


Note: If replacing the Tie Rod Assembly or Crank Extension for the first time, order kit GK62-00002-0015. Both sides must be replaced simultaneously in this situation.

ARCTIC SILVER 95XW
Drive Module components

95XW-0XXX-02
S/N AWG100000 and up

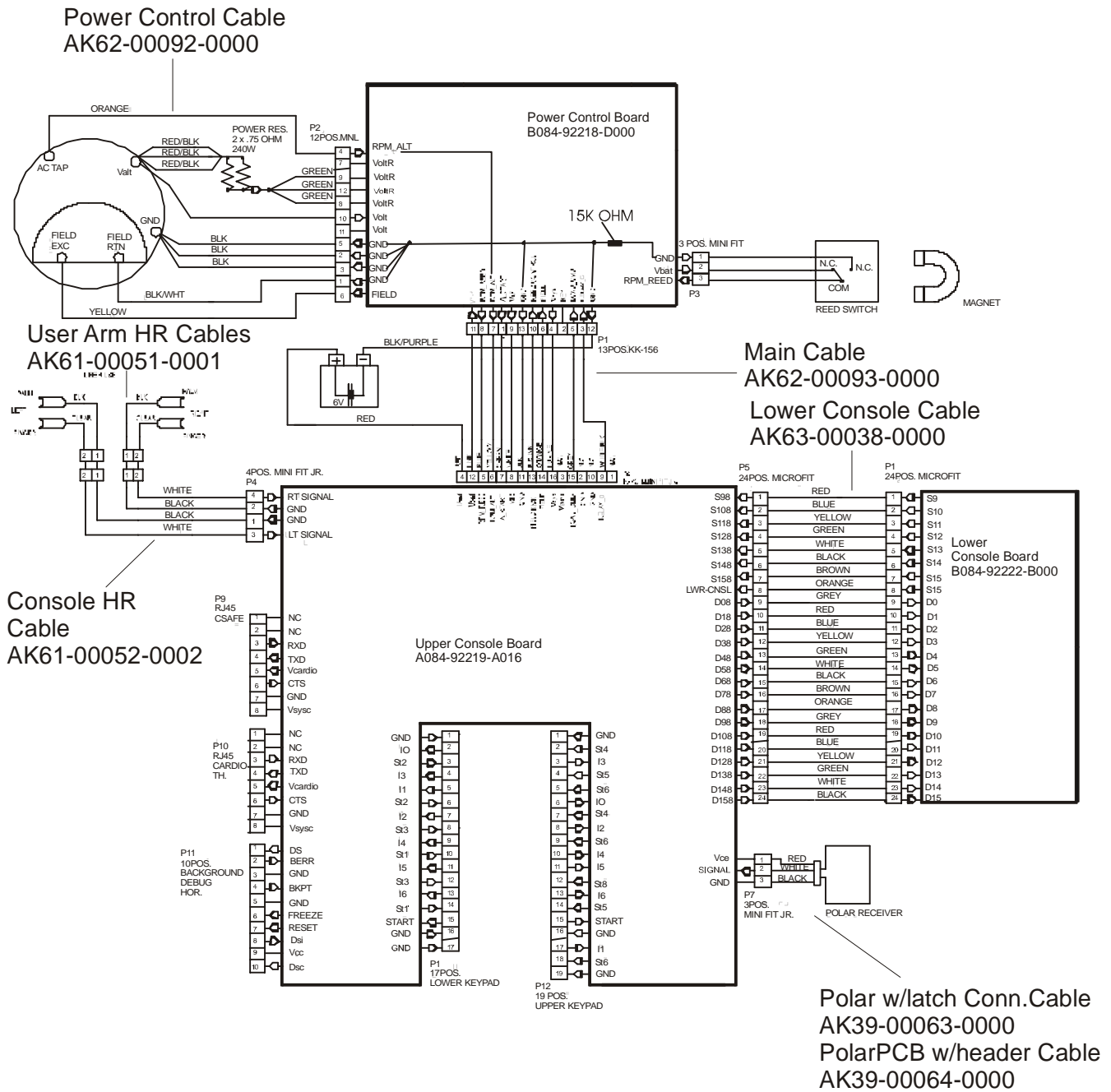




ARCTIC SILVER 95XW

Cables

95XW-0XXX-02
S/N AWG10000 and up



Free Manuals Download Website

<http://myh66.com>

<http://usermanuals.us>

<http://www.somanuals.com>

<http://www.4manuals.cc>

<http://www.manual-lib.com>

<http://www.404manual.com>

<http://www.luxmanual.com>

<http://aubethermostatmanual.com>

Golf course search by state

<http://golfingnear.com>

Email search by domain

<http://emailbydomain.com>

Auto manuals search

<http://auto.somanuals.com>

TV manuals search

<http://tv.somanuals.com>