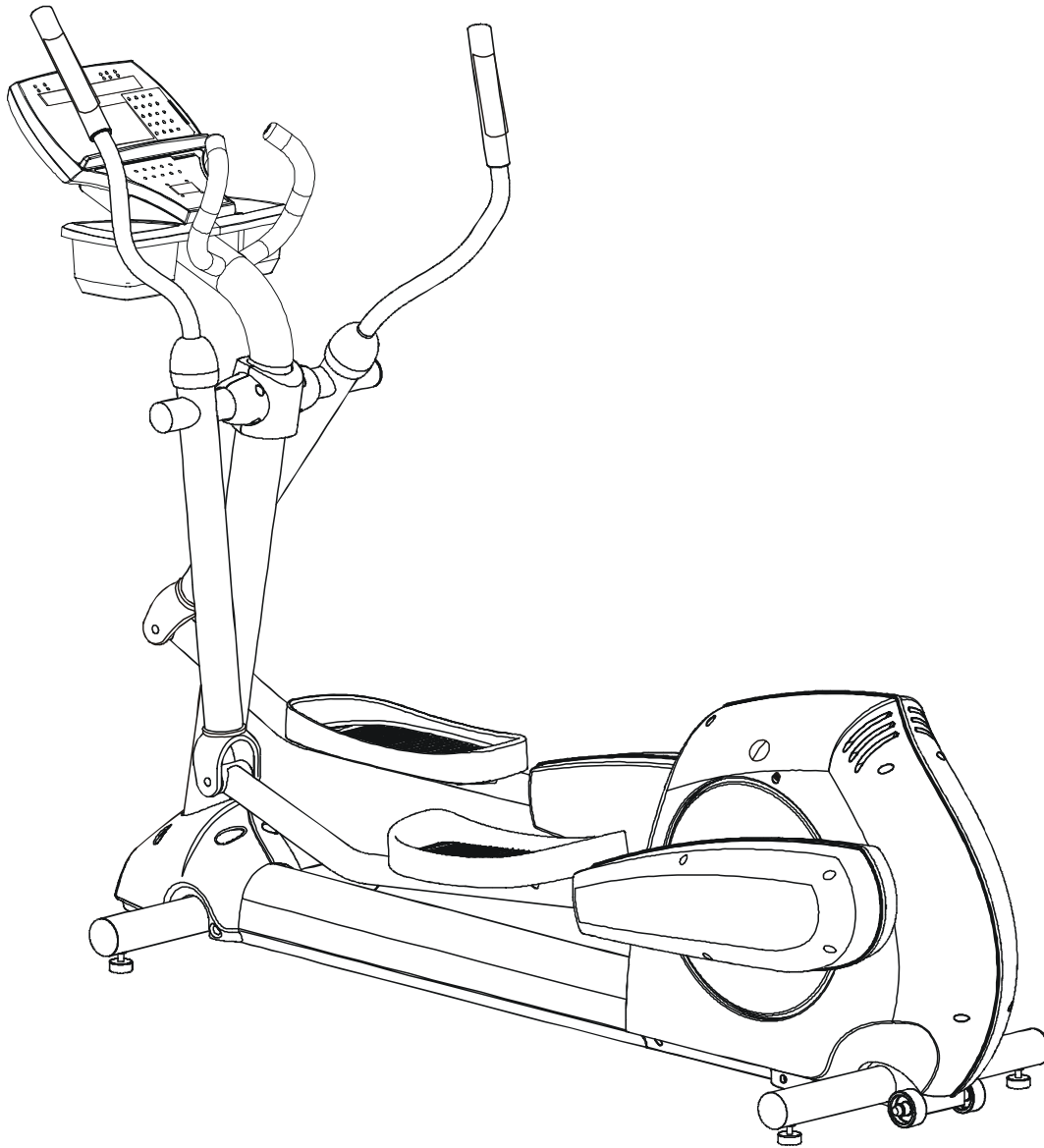


LifeFitness

CLUB SERIES CROSS-TRAINER CSX-0XXX-01

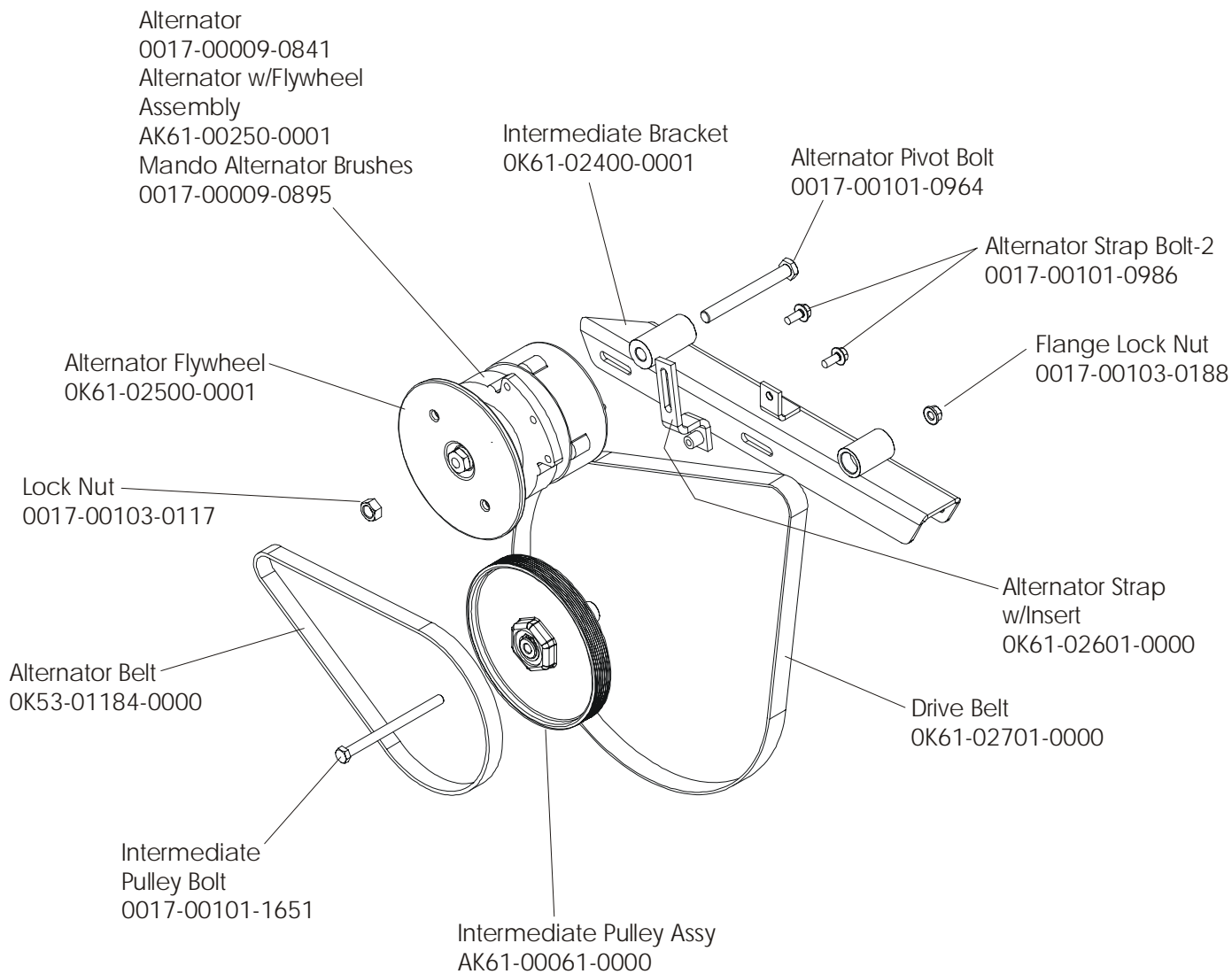


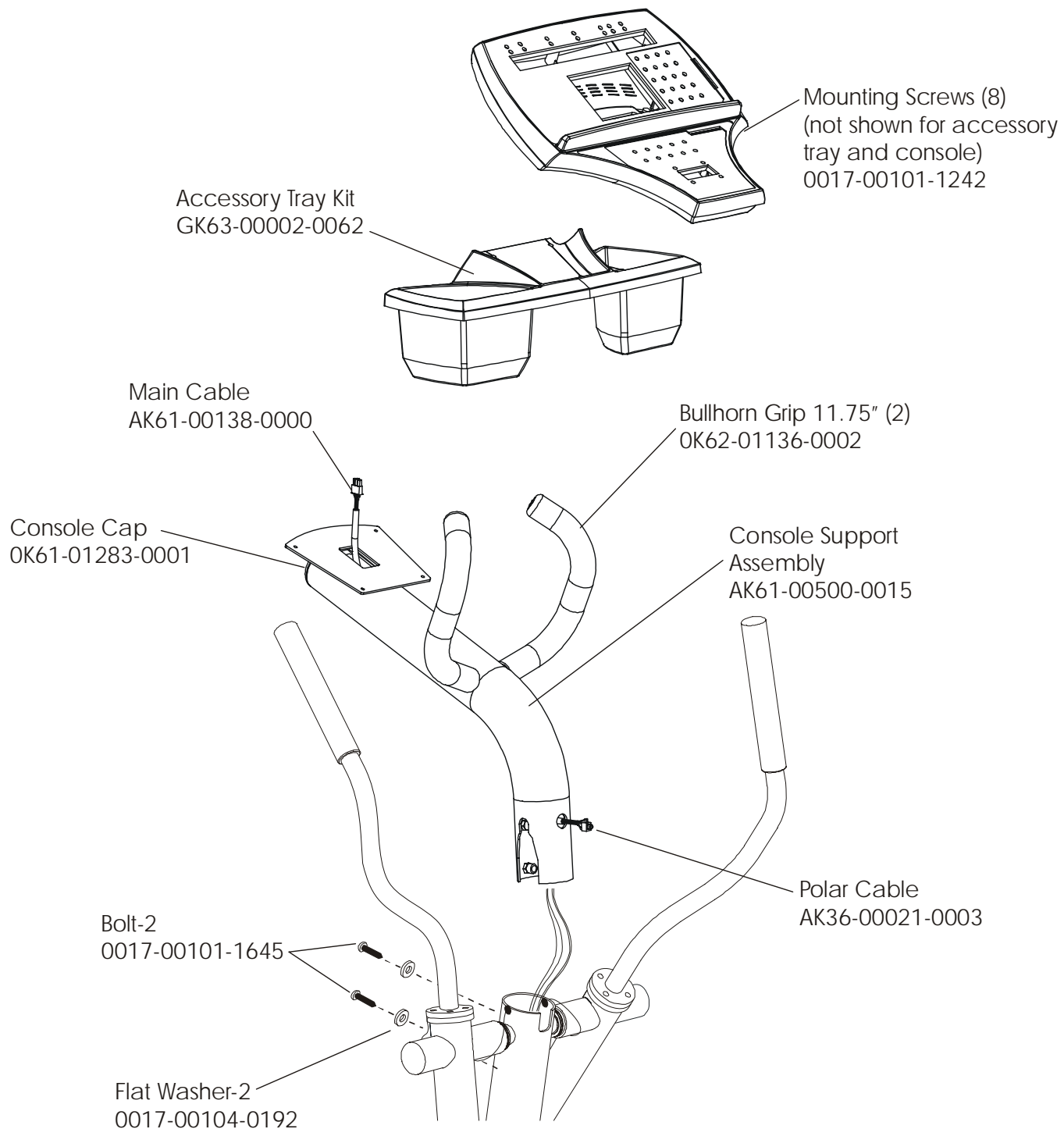
Customer Support Services PARTS MANUAL revised 12 Mar 2008

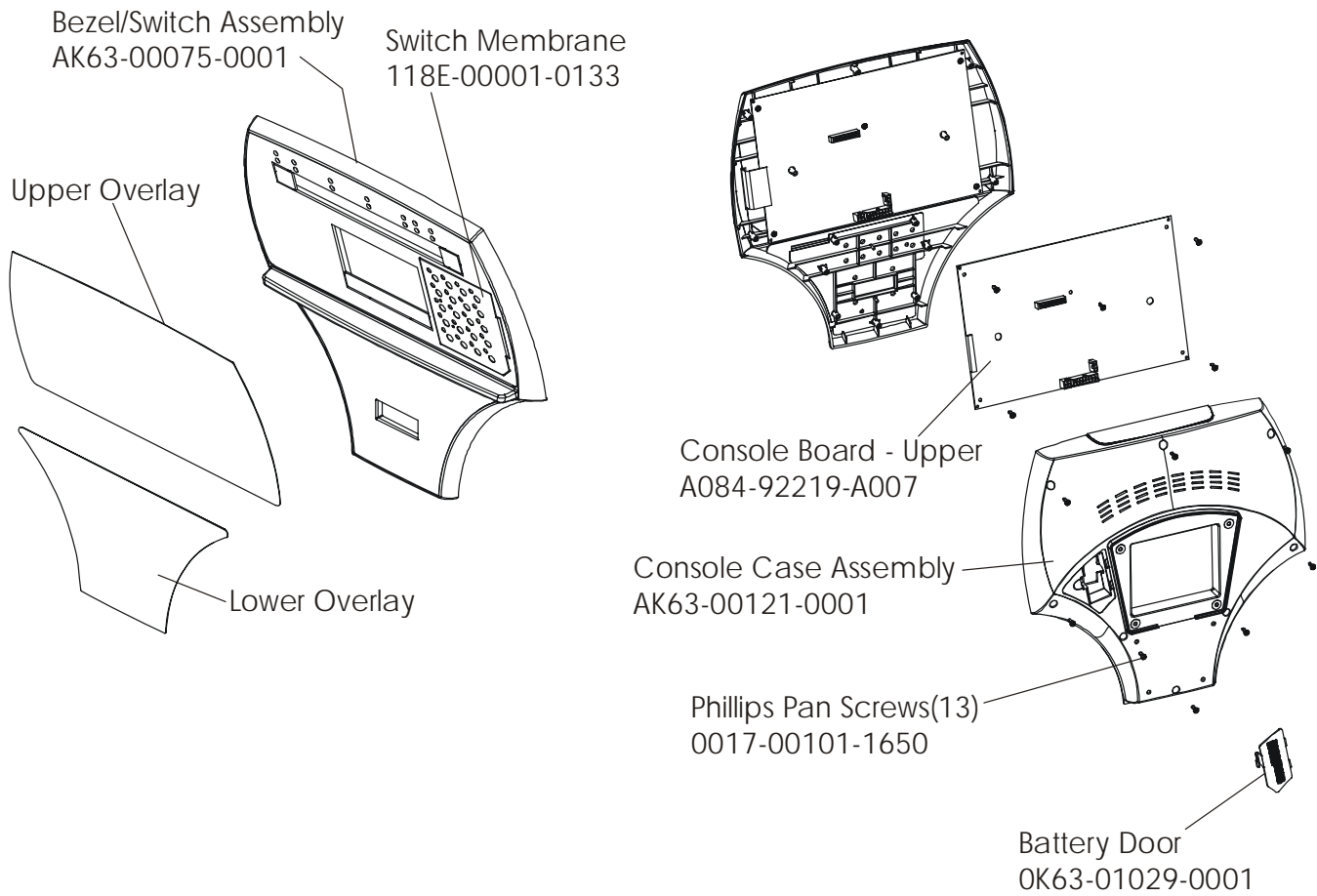
MISCELLANEOUS	3
DRIVE BELTS and ALTERNATOR.....	4
CONSOLE SUPPORT ASSEMBLY	5
CONSOLE ASSEMBLY	6
ROLLER ASSEMBLY	7
CRANKSHAFT ASSEMBLY	8
DRIVE LINKAGE ASSEMBLY	9
ANTI-LIFT BRACKET and OUTER PEDAL COVERS	10
FRAME ASSEMBLY	11
CLEVIS and FRONT FRAME COVERS	12
PEDAL LEVER ASSEMBLY	13
ROCKER ARM COVERS	14
ROCKER ARM ASSEMBLY	15
REAR DRIVE SHROUDS with DECALS.....	16
UPPER ARM and HEART RATE ASSEMBLY	17
CABLES	18

Description	Part No.
OPERATION MANUAL	M051-00K20-B320
SERVICE MANUAL	M051-00K61-A110
ARCTIC SILVER TOUCH UP PAINT: SPRAY CAN .5 OZ BOTTLE W/APPLICATOR .33 OZ PEN	0017-00008-0204 0017-00008-0205 0017-00008-0206
STEALTH GRAY TOUCH UP PAINT (FOR ROCKER ARMS): SPRAY CAN .5 OZ BOTTLE W/APPLICATOR	0017-00008-0199 0017-00008-0198
HARDWARE BAG	AK61-00197-0000
POWER SUPPLY, 9v	118E-00001-0165

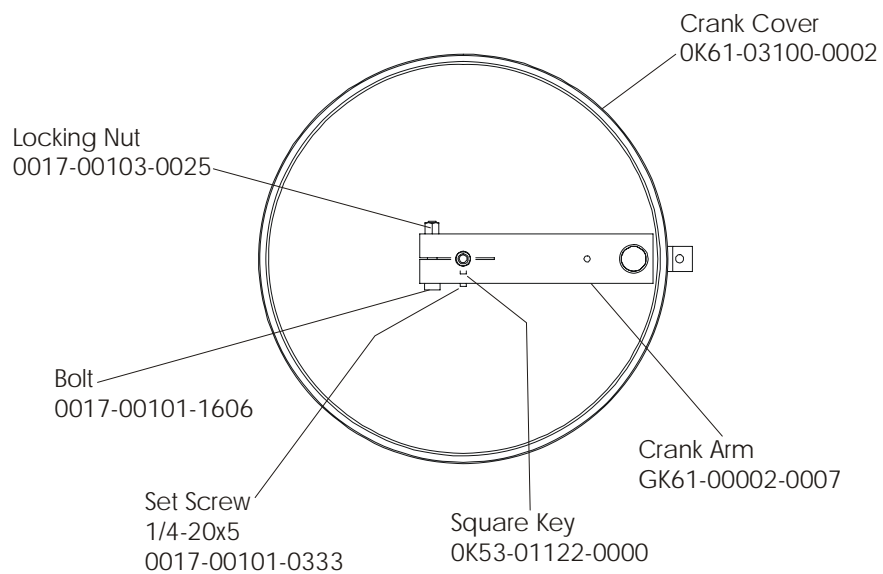
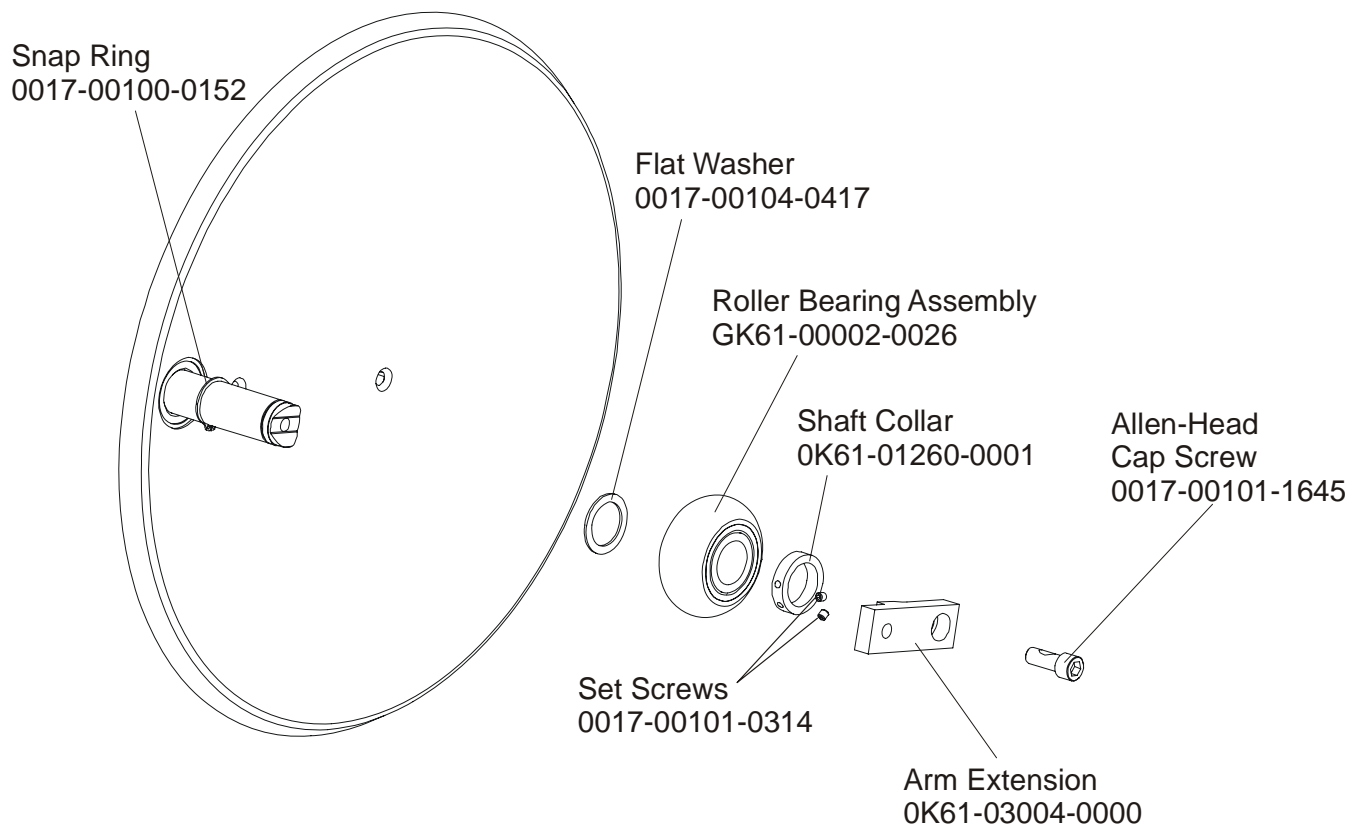
The CSX-0XXX-01 has both Telemetry and Lifepulse sensors for heart rate.

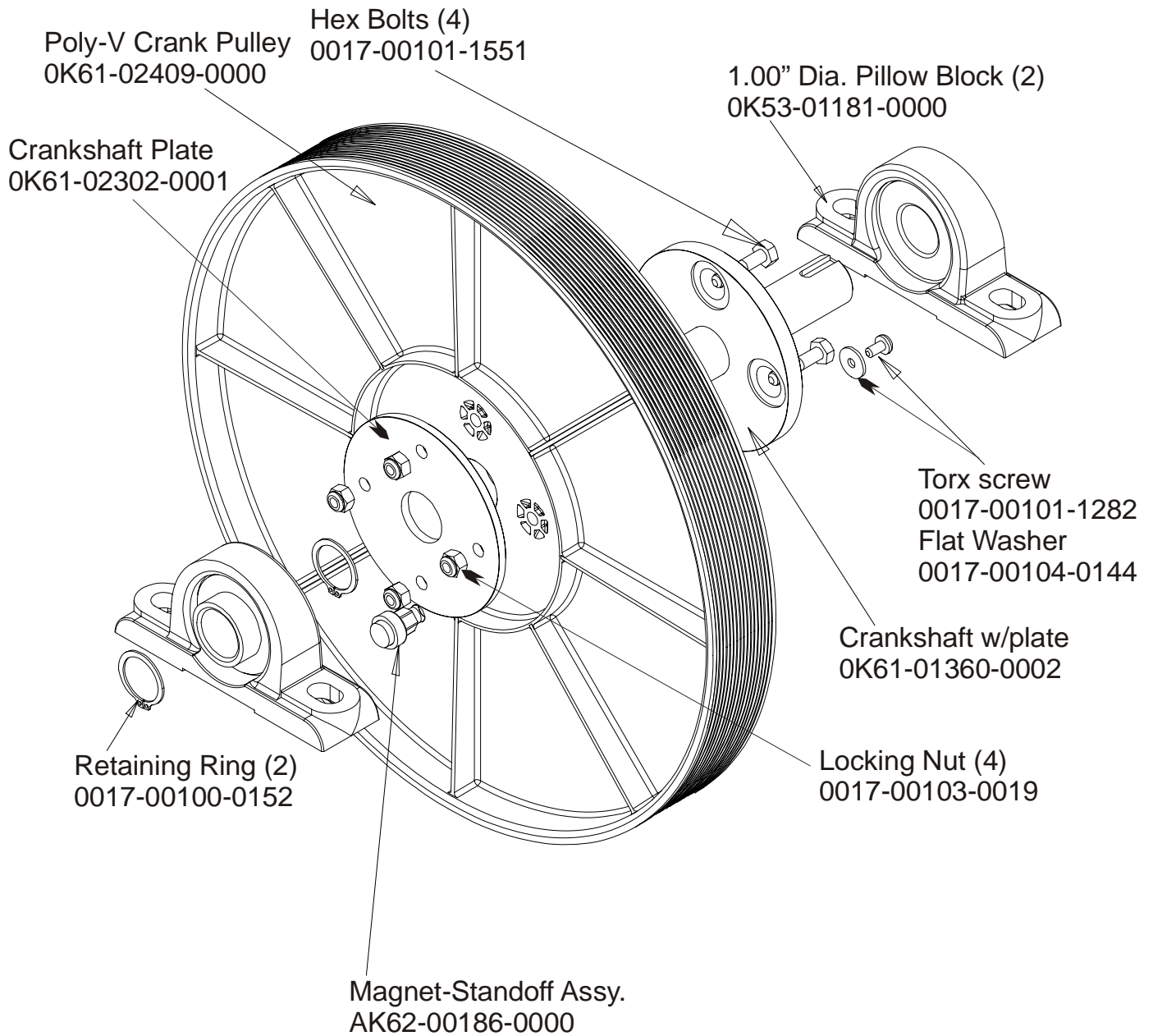


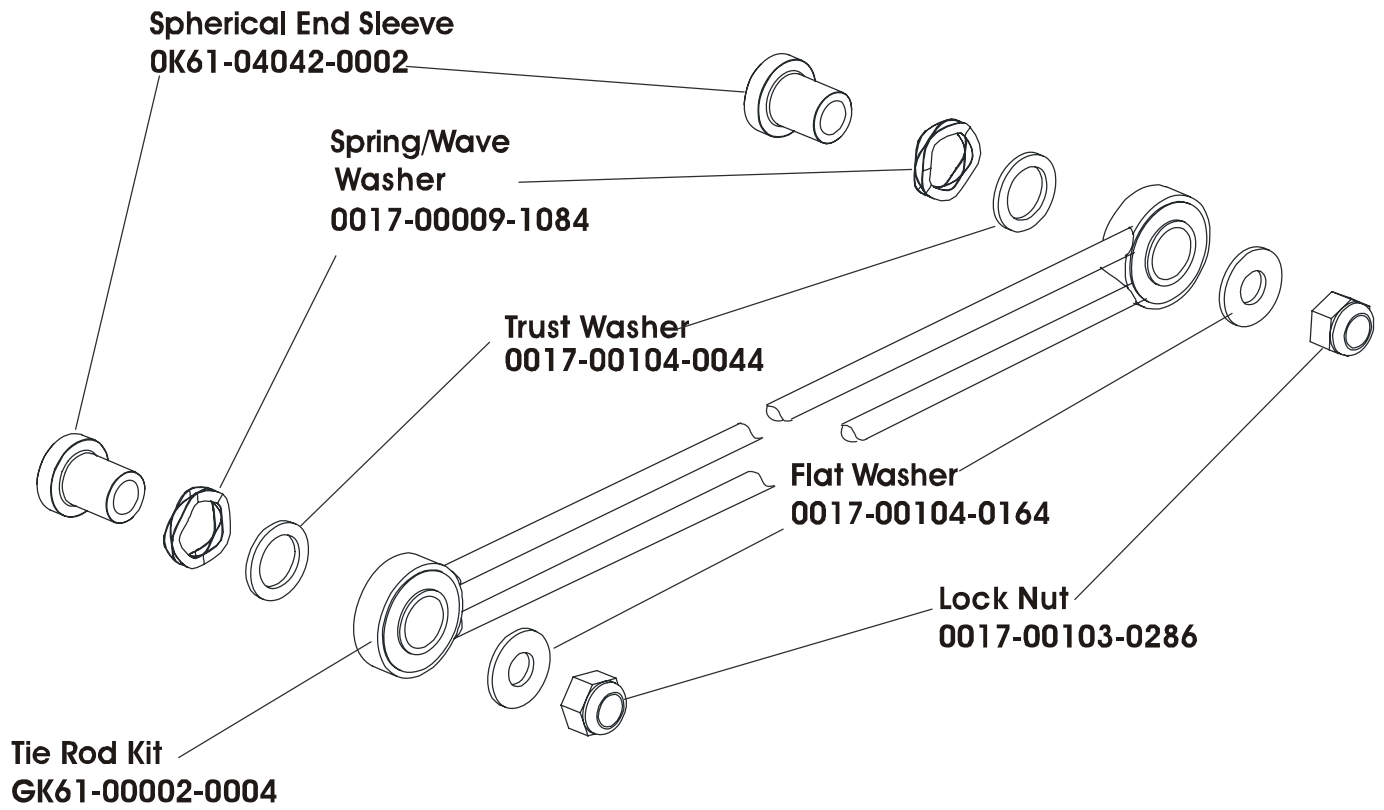


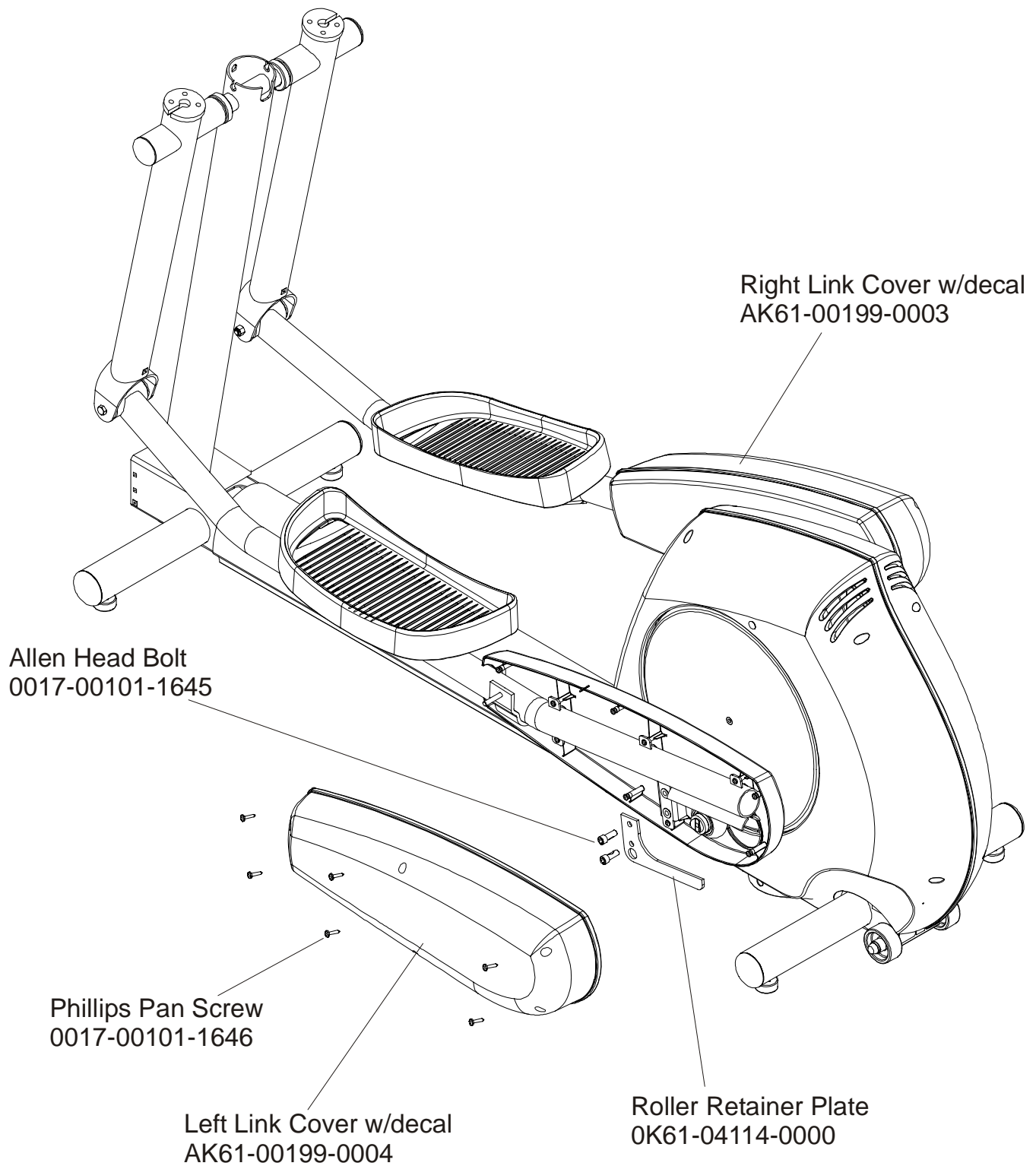


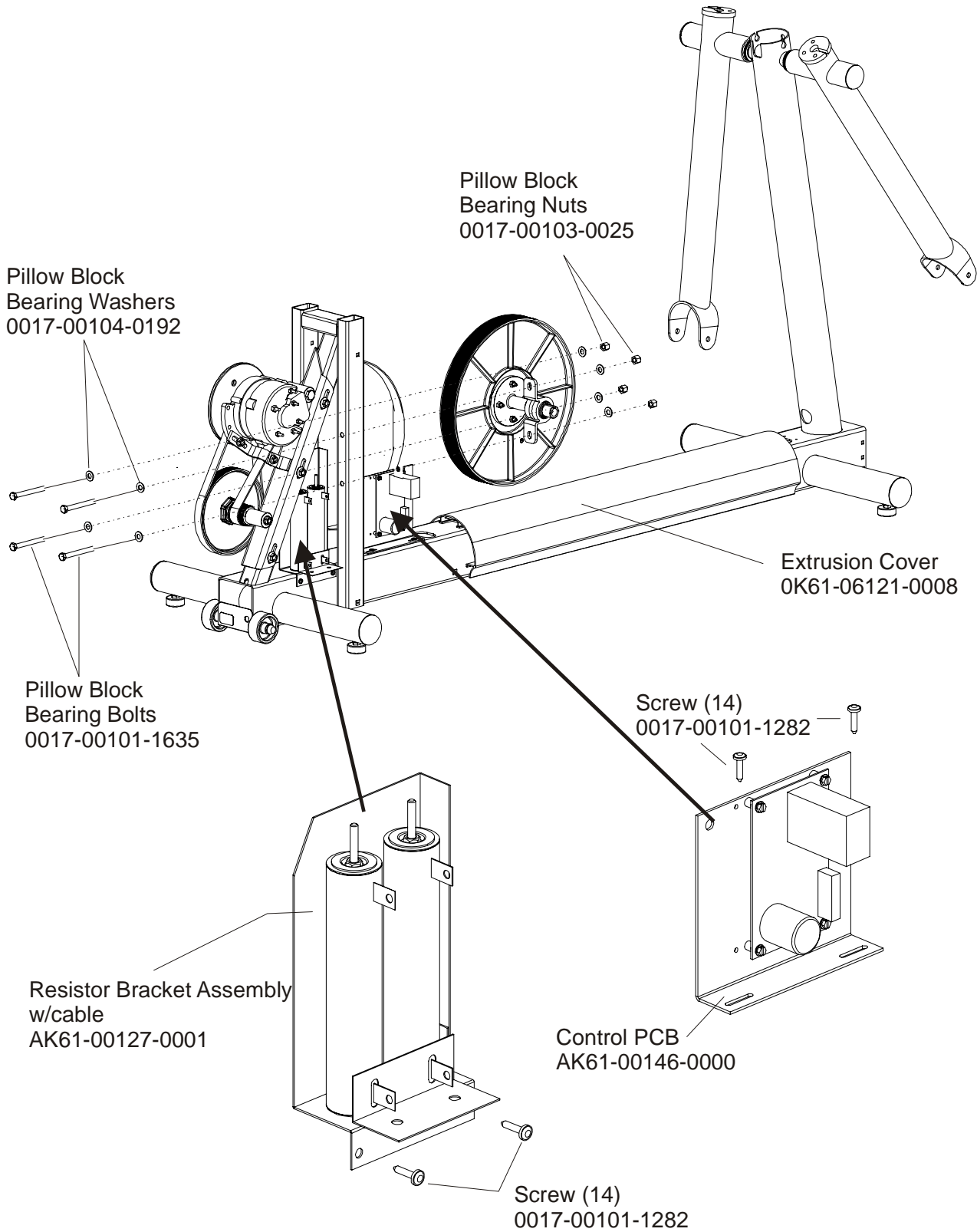
Console Assembly	Overlay/Bezel/ Switch Assembly	Upper Overlay	Lower Overlay
AK61-00193-0012	AK61-00195-0011	OK61-01382-0001	OK61-01384-0011

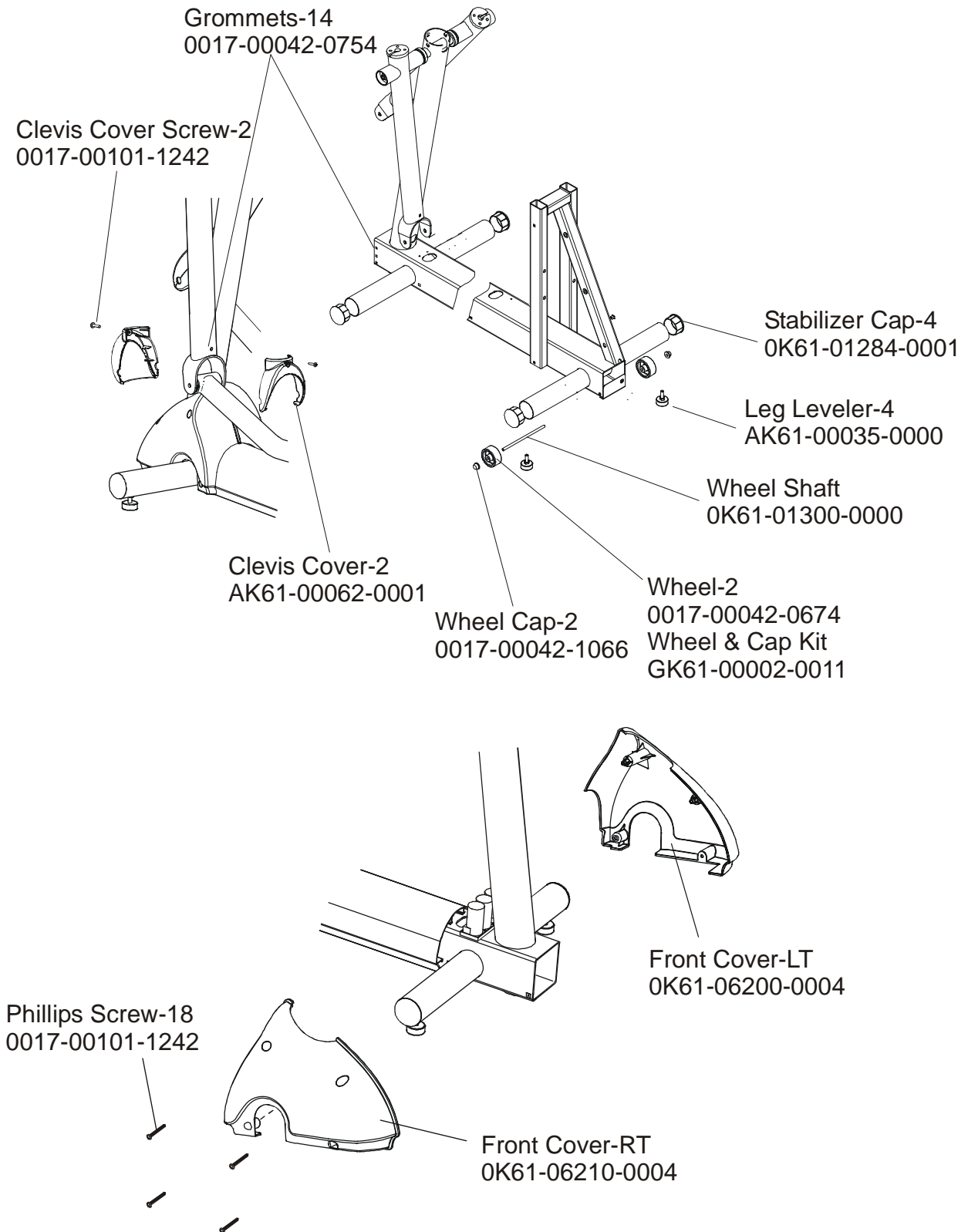


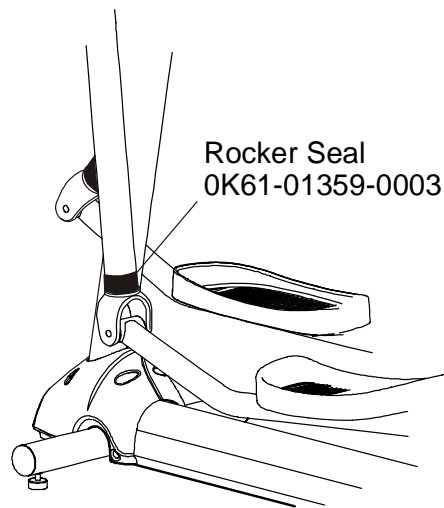
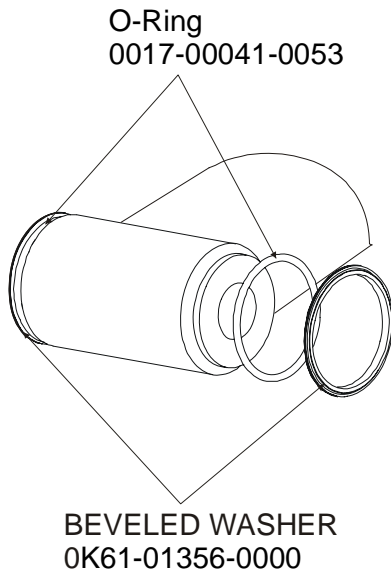
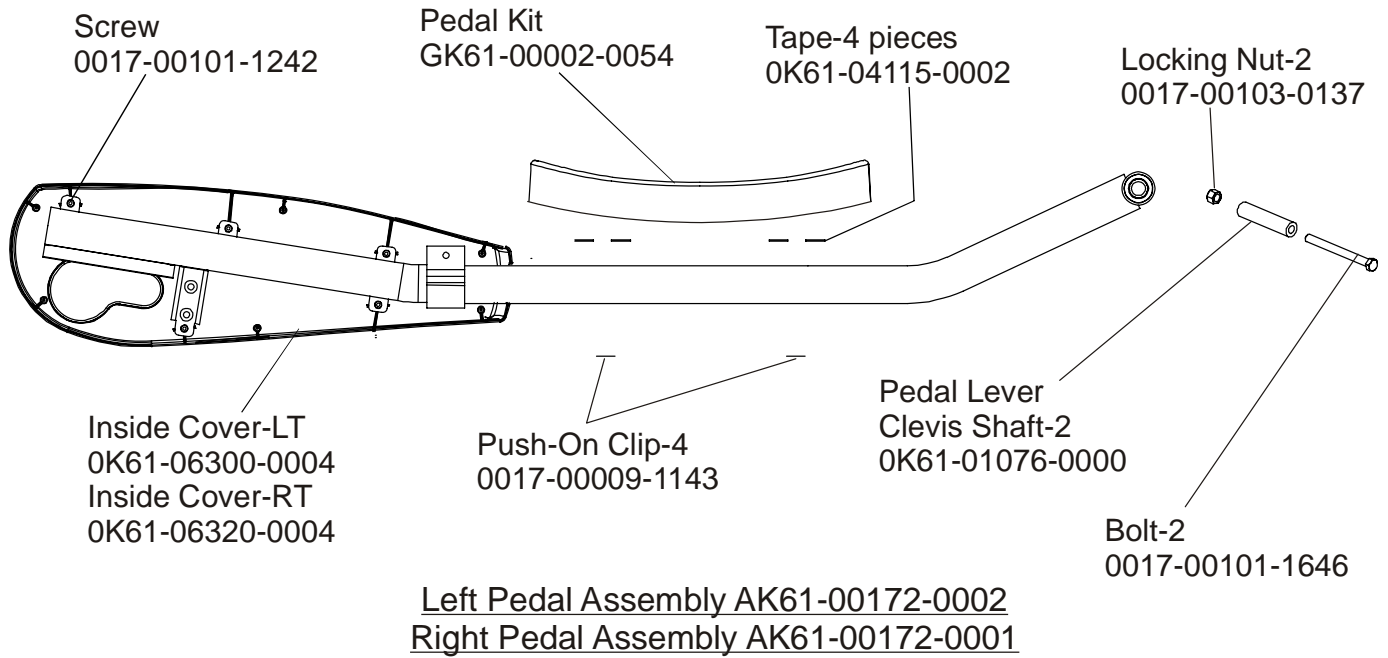


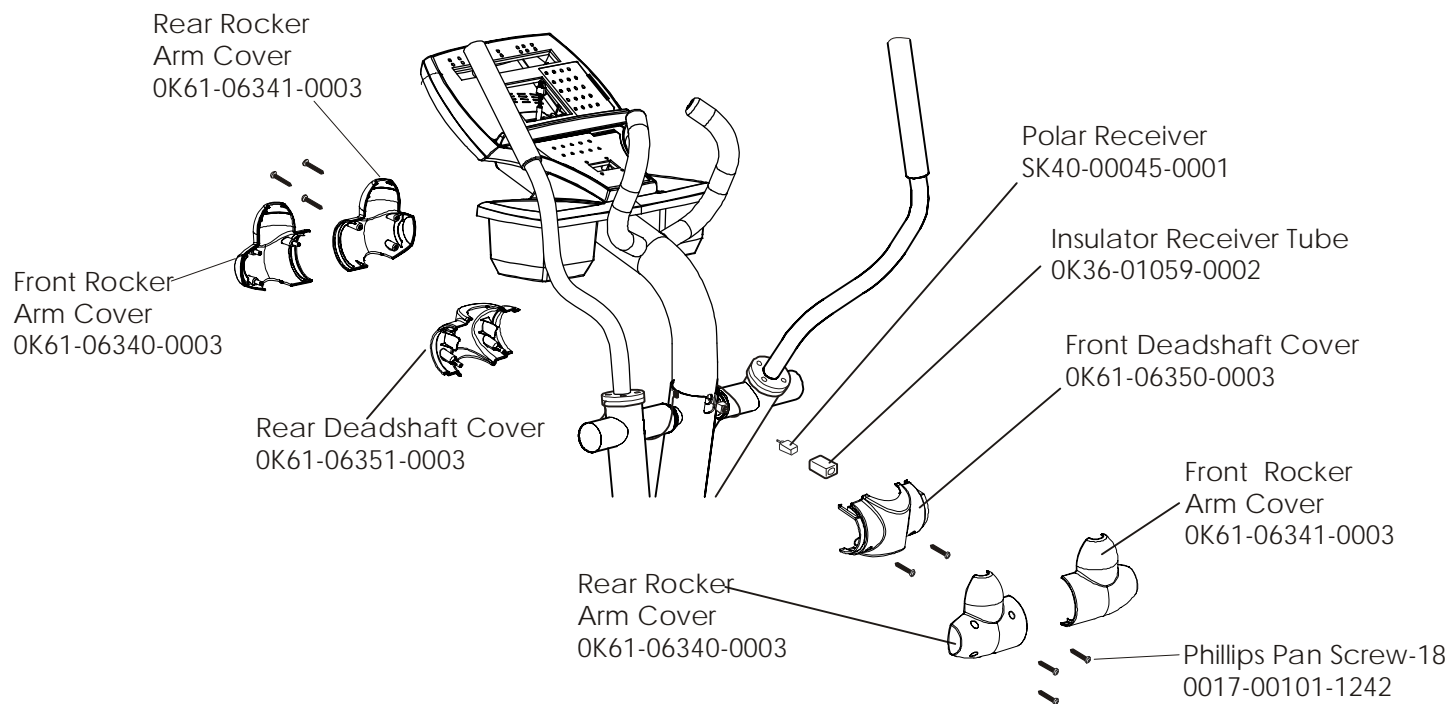


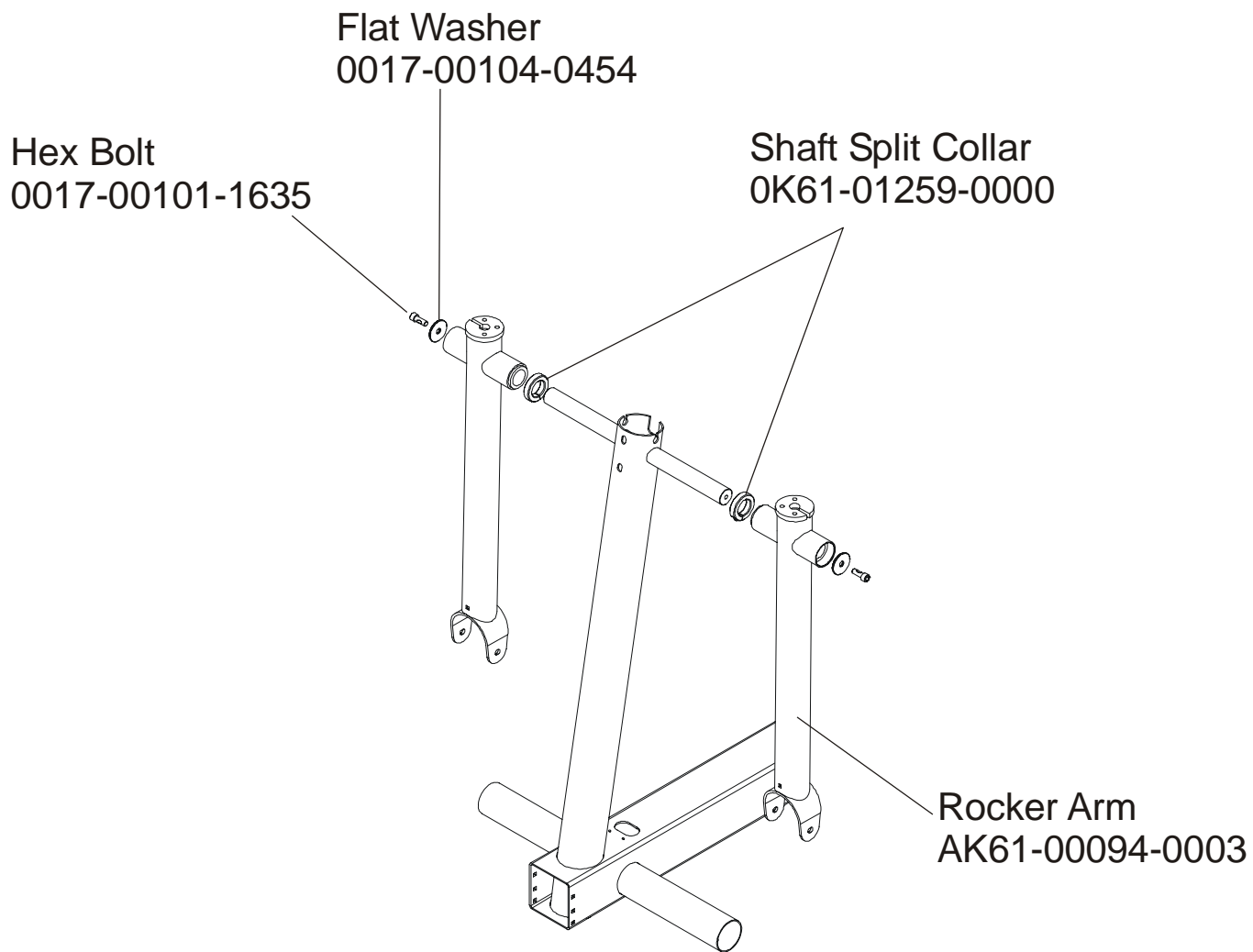


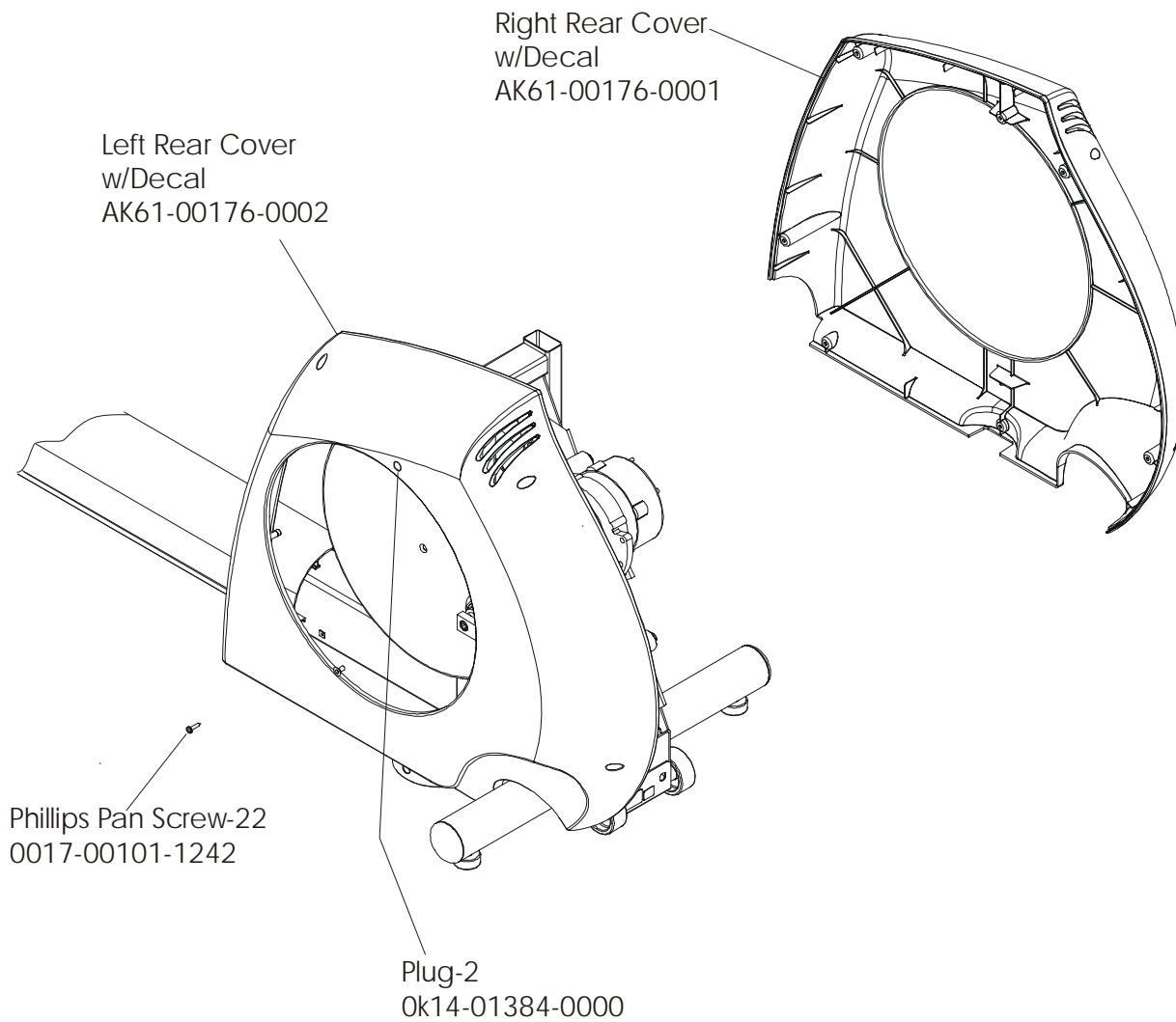


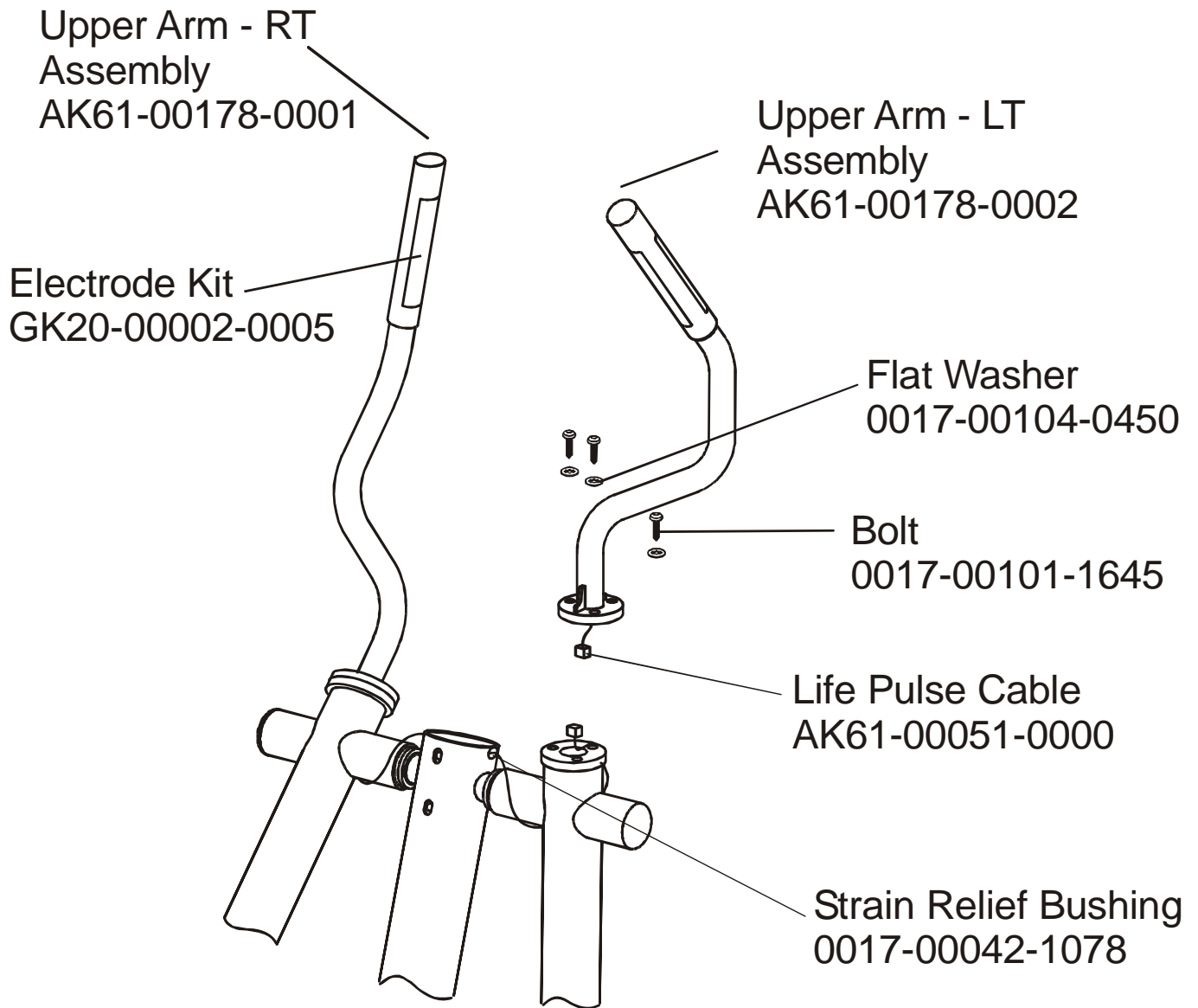


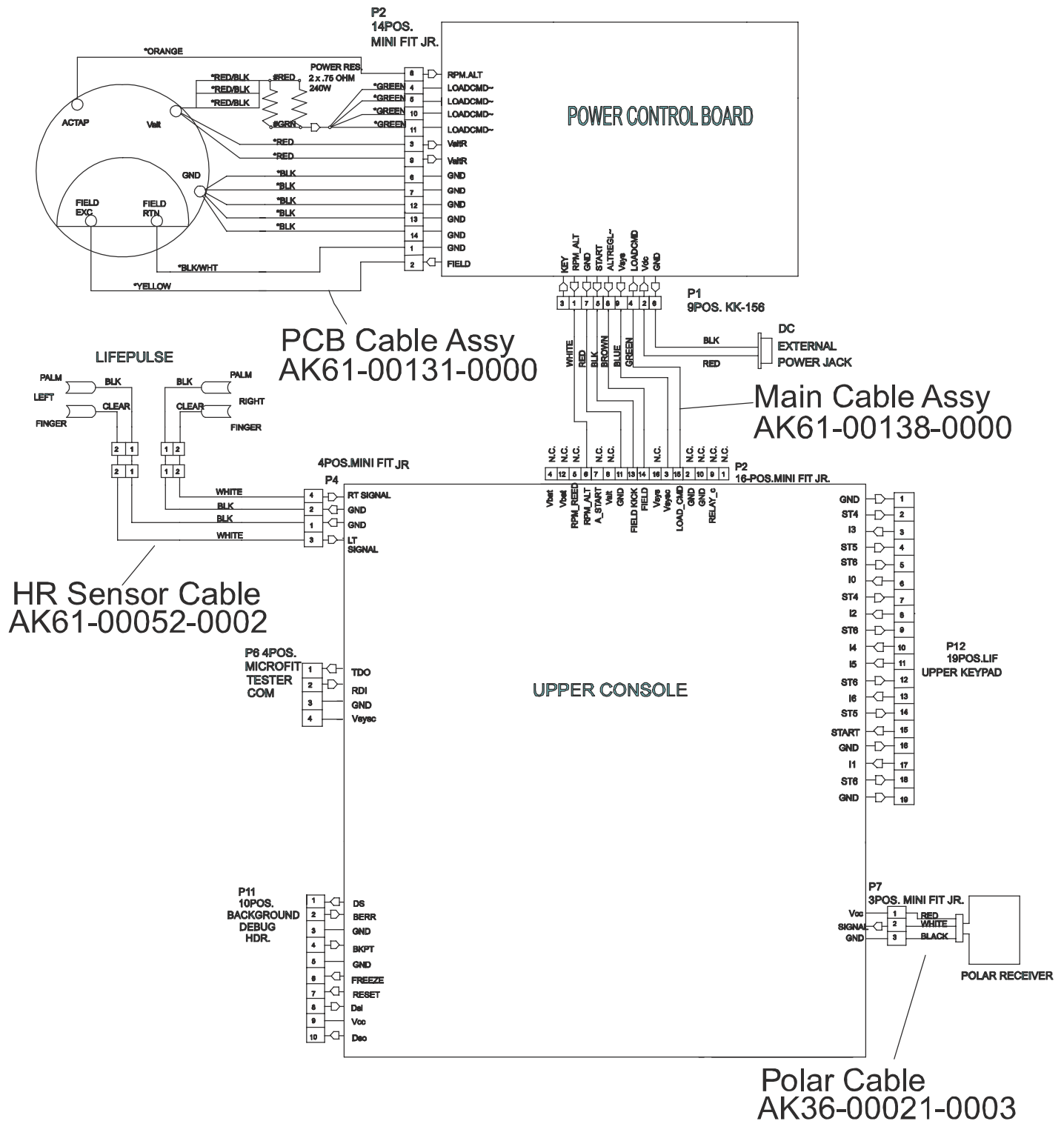












Free Manuals Download Website

<http://myh66.com>

<http://usermanuals.us>

<http://www.somanuals.com>

<http://www.4manuals.cc>

<http://www.manual-lib.com>

<http://www.404manual.com>

<http://www.luxmanual.com>

<http://aubethermostatmanual.com>

Golf course search by state

<http://golfingnear.com>

Email search by domain

<http://emailbydomain.com>

Auto manuals search

<http://auto.somanuals.com>

TV manuals search

<http://tv.somanuals.com>