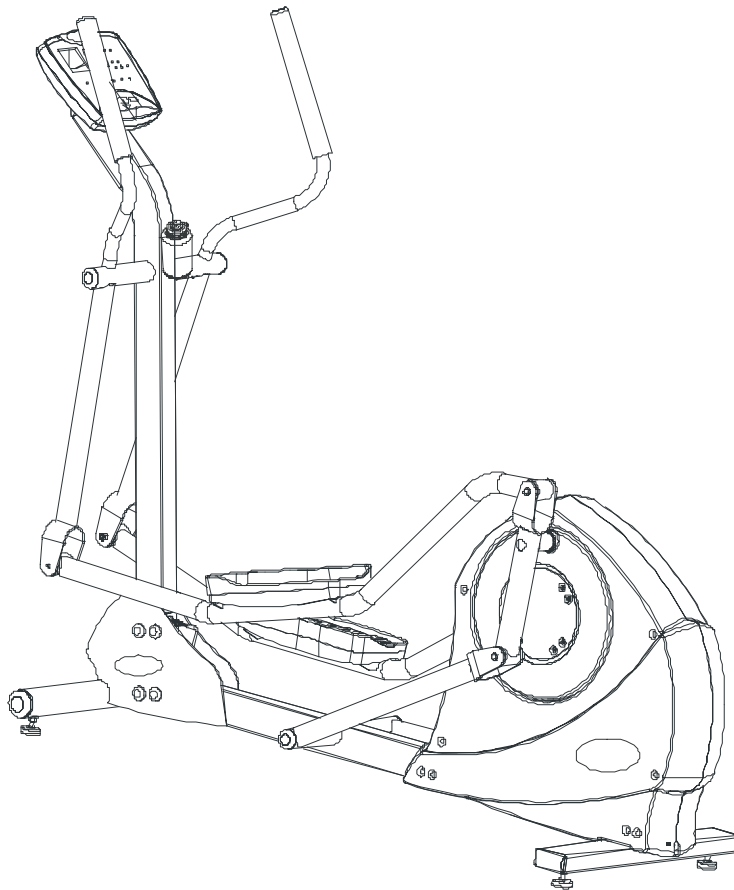


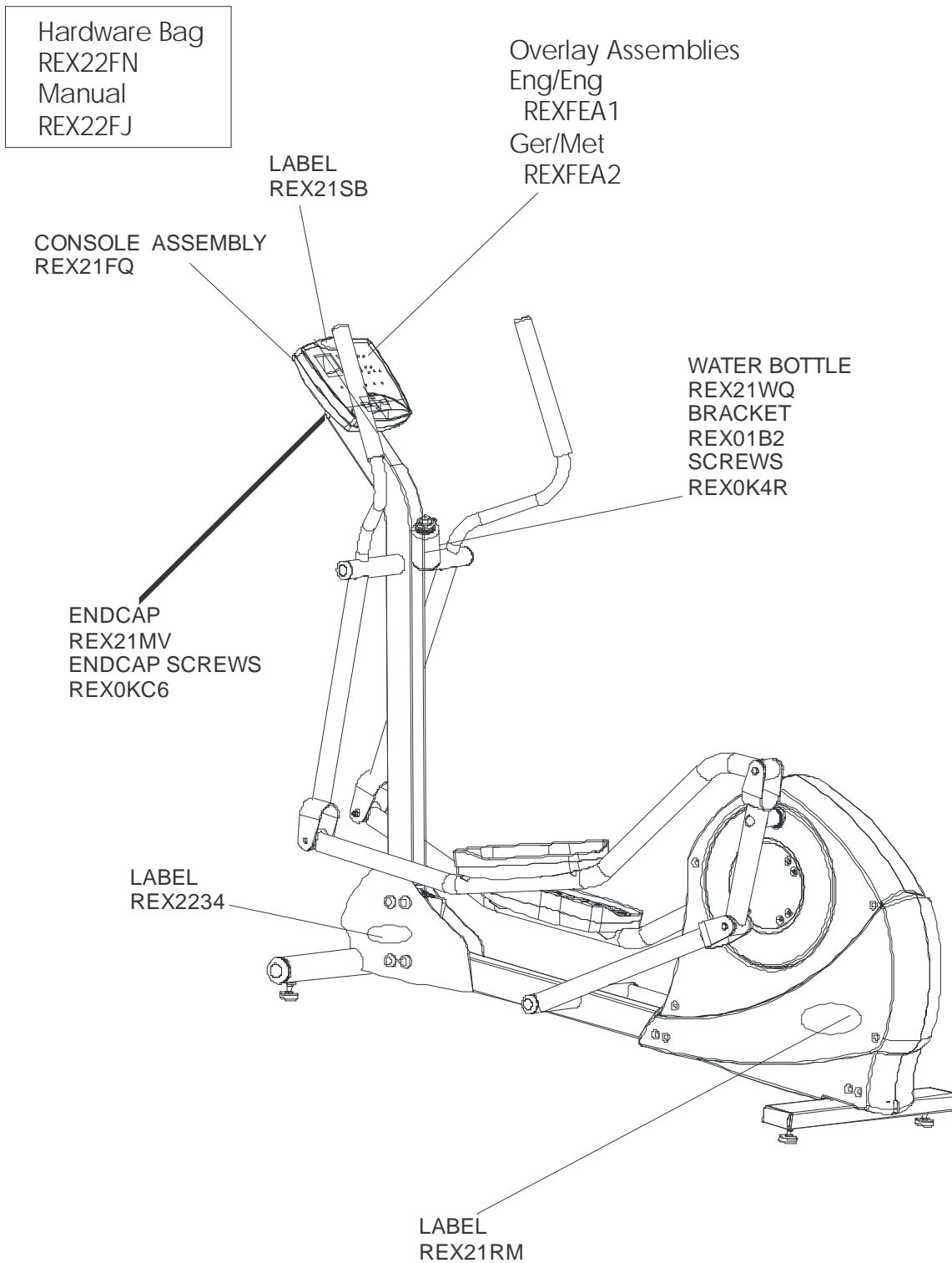
# LifeFitness

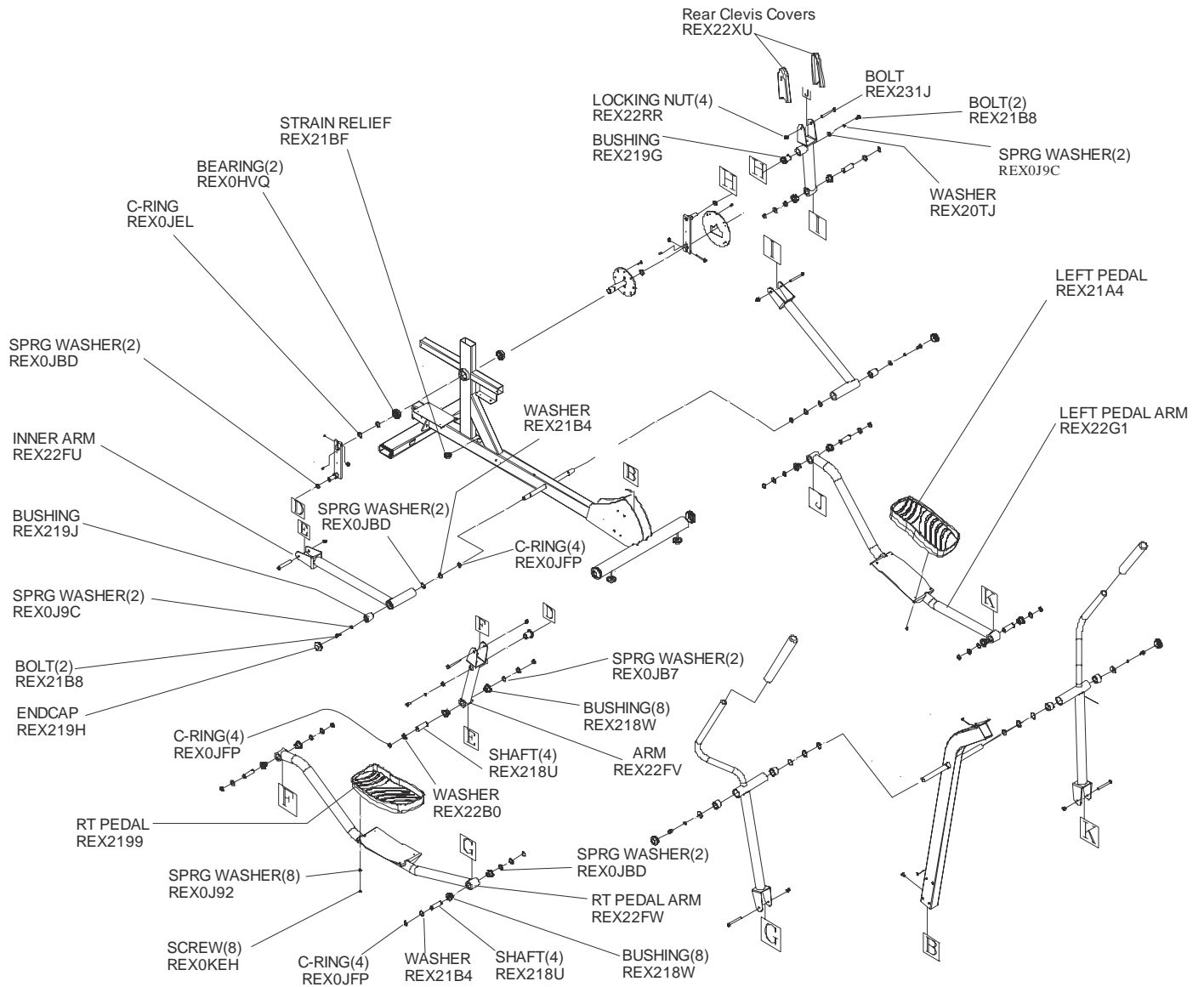
LF Sport Consumer Cross-trainer  
CTSX30-0000-01 120V Dom. Eng/Eng  
CTSX30-0101-01 230V Con. Eng/Met  
CTSX30-0201-01 230V Con. Ger/Met  
CTSX30-0101-01 240+V Aus. Eng/Met  
CTSX30-0102-01 240V UK. Eng/Met

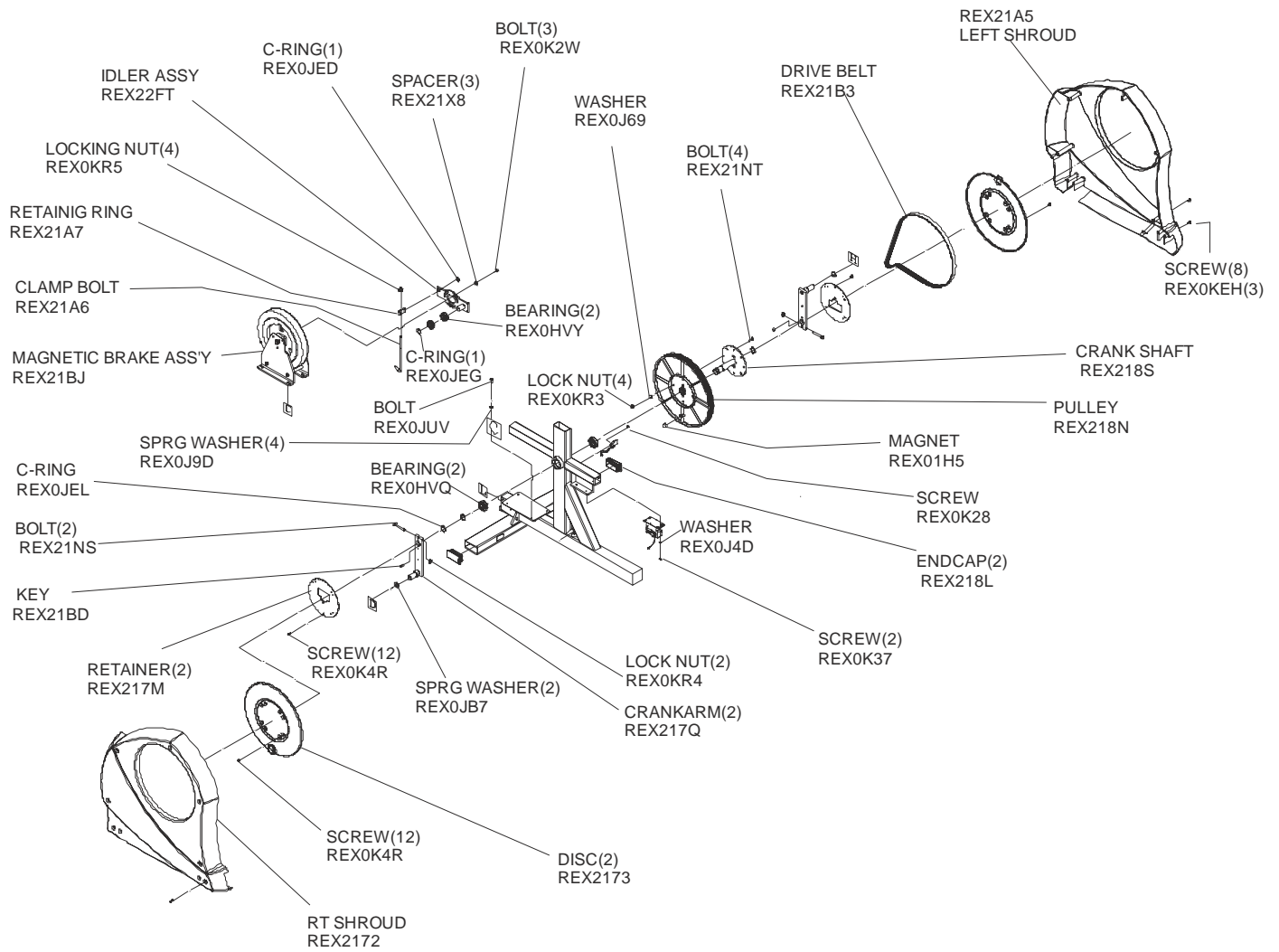


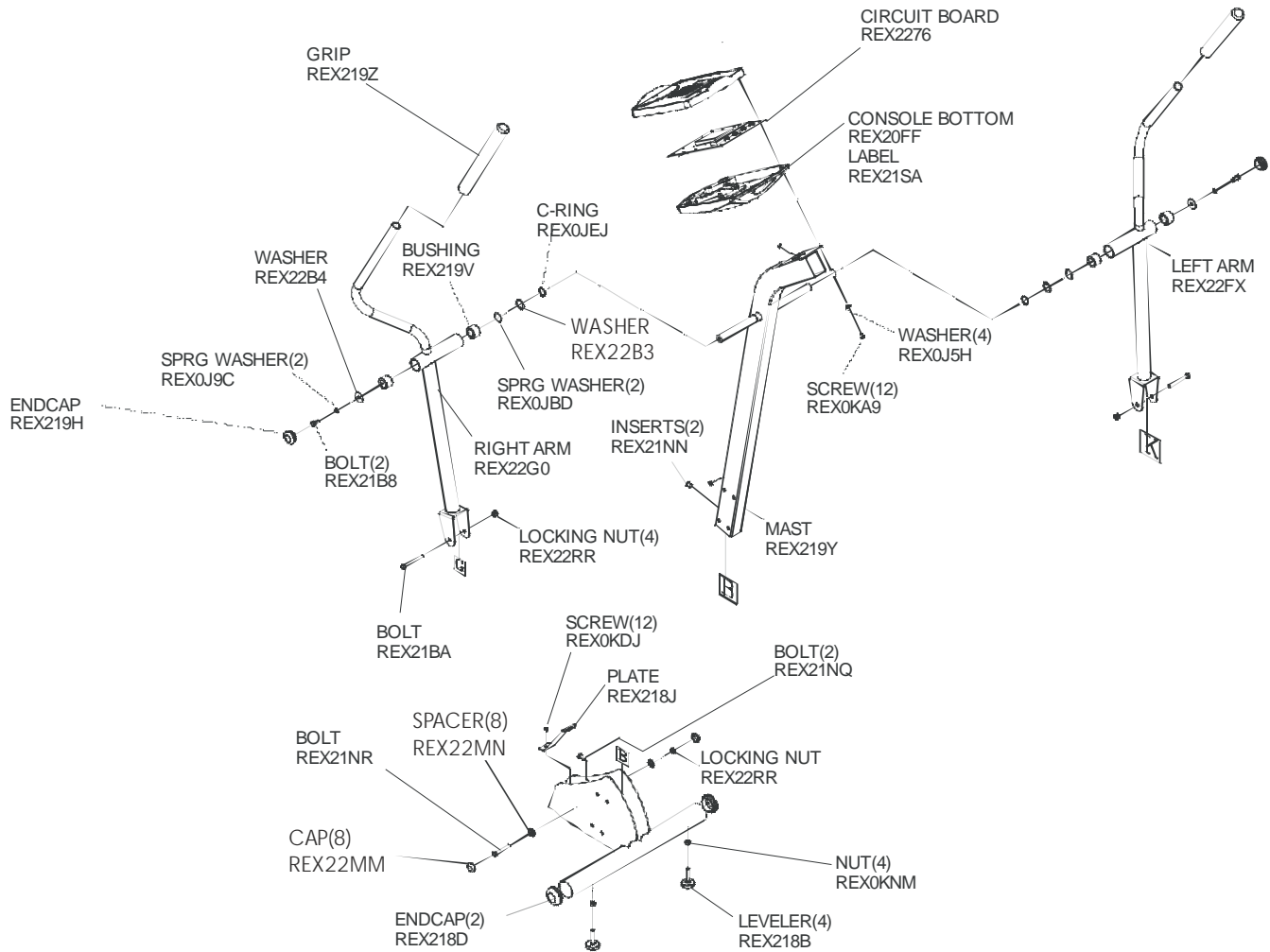
## Customer Support Services PARTS MANUAL rev 23 Jul 2008

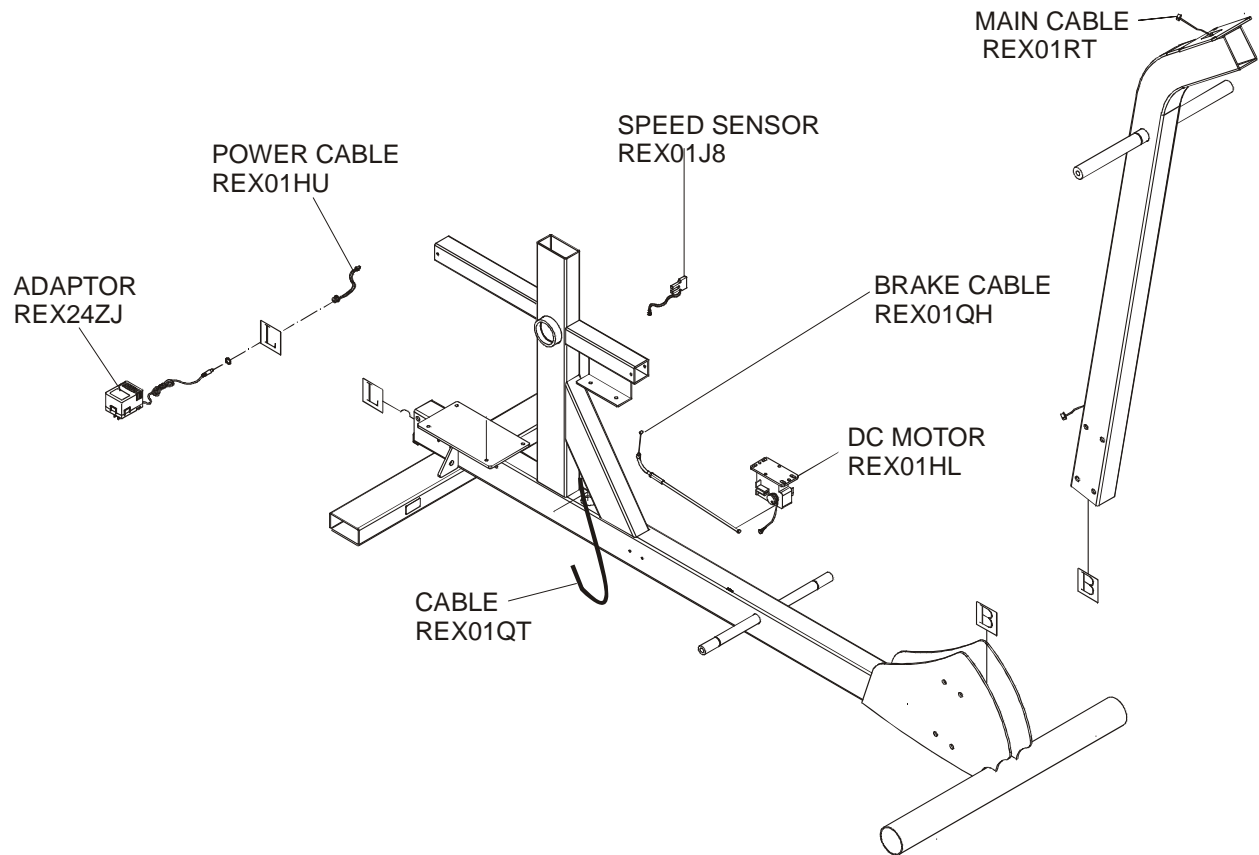
Console Assembly .....	3
Movement Arms and Hardware .....	4
Rear Components.....	5
Front Components .....	6
Cables .....	7
Block Diagram .....	8

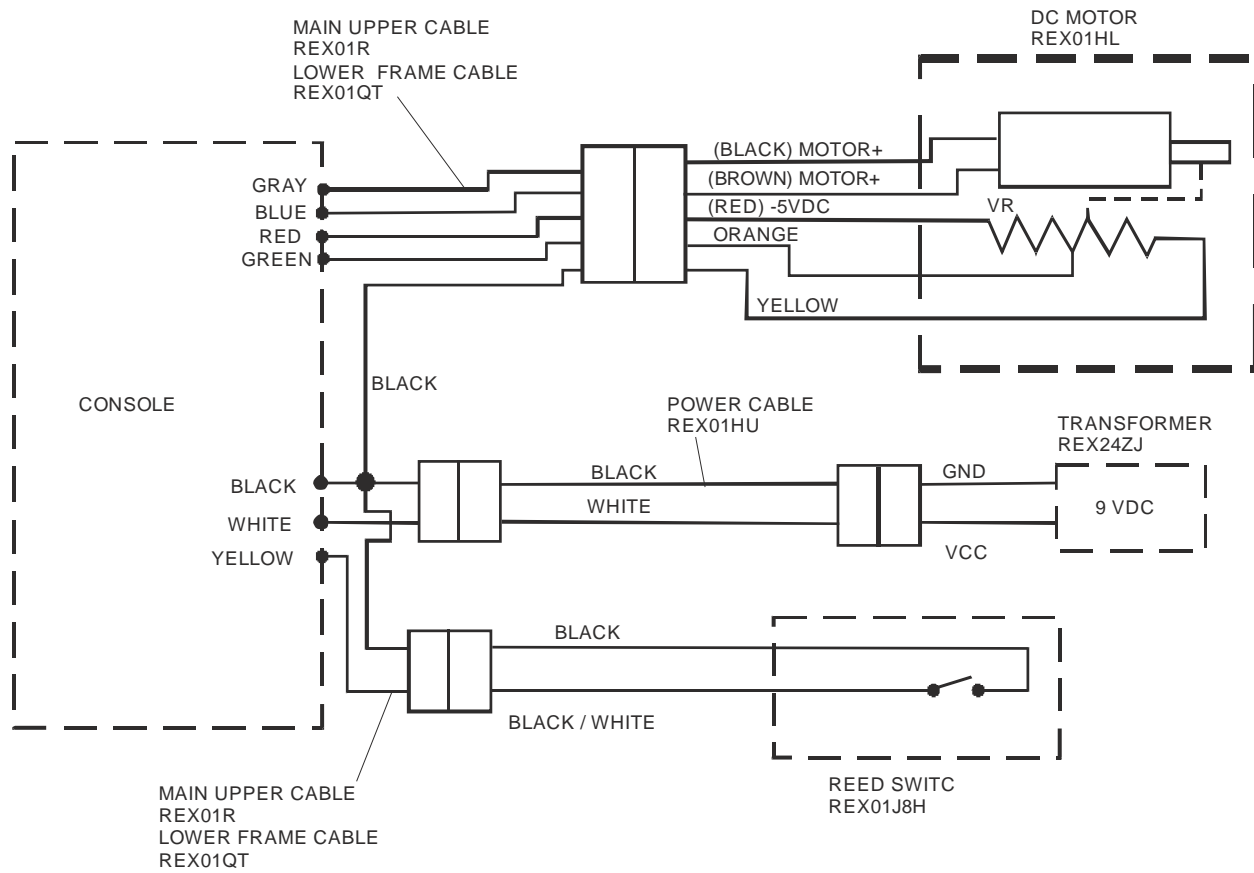














## Free Manuals Download Website

<http://myh66.com>

<http://usermanuals.us>

<http://www.somanuals.com>

<http://www.4manuals.cc>

<http://www.manual-lib.com>

<http://www.404manual.com>

<http://www.luxmanual.com>

<http://aubethermostatmanual.com>

Golf course search by state

<http://golfingnear.com>

Email search by domain

<http://emailbydomain.com>

Auto manuals search

<http://auto.somanuals.com>

TV manuals search

<http://tv.somanuals.com>