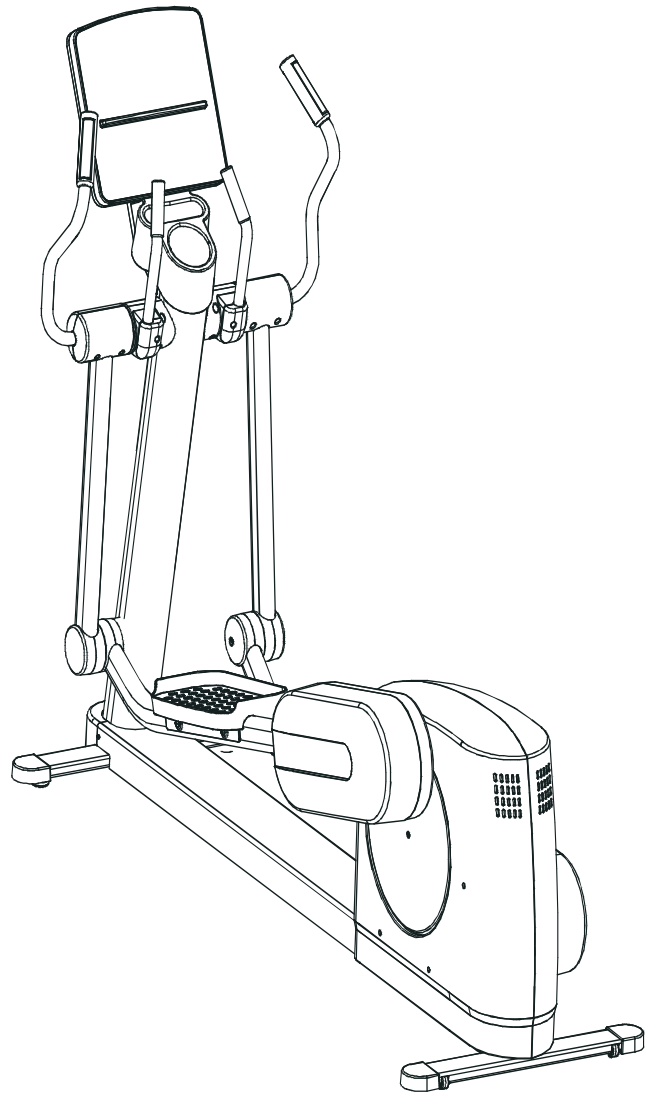
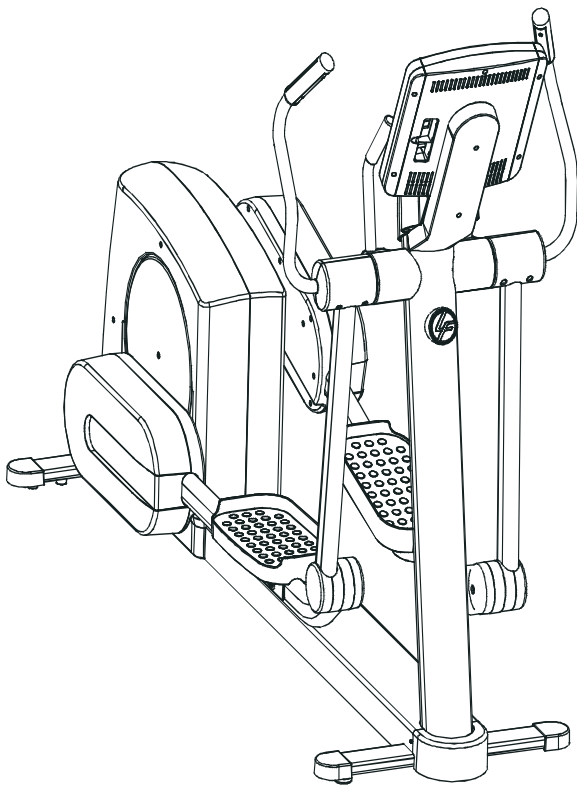


LifeFitness

ARCTIC SILVER QUIET DRIVE CROSS-TRAINER 93X-0XXX-05
(Hungary-built Cross-trainer for Domestic Sales)



Customer Support Services PARTS MANUAL rev 14 Jun 2010

OPERATION MANUAL – (ENG)	M051-00K62-A181
OPERATION MANUAL – (F/S/P)	M051-00K62-A182
OPERATION MANUAL – (G/D/I)	M051-00K62-A183
OPERATION MANUAL – (JAP)	M051-00K62-A184
SERVICE MANUAL	M051-00K62-A149
TOUCH UP PAINT: SPRAY CAN .5 OZ BOTTLE W/APPLICATOR .33 OZ PEN	0017-00008-0204 0017-00008-0205 0017-00008-0206
HARDWARE BAG	AK62-00152-0001
POWER CABLE WITH BRACKET ASSEMBLY CONSISTS OF: 120" COAX CABLE ASSY. 120" POWER EXTENSION CABLE ACCESS PANEL BRACKET F-TYPE PANEL CONNECTOR #8 PLASTIC GROMMET	AK62-00210-0000 AK32-00020-0002 AK32-00078-0001 0K62-01179-0001 0017-00021-2846 0017-00042-0754
PLUG IN OPTION 120/60	GK62-00002-0018
PLUG IN OPTION 240/50 UK	GK62-00002-0019
PLUG IN OPTION 240v AUS	GK62-00002-0020
PLUG IN OPTION 230/50 CONT.	GK62-00002-0021
C-SAFE KIT	GK63-00002-0003

	Page
CONSOLE SUPPORT & DEADSHAFT COVERS	4
HANDLEBARS AND BULLHORNS	5
CONSOLE AND RELATED COMPONENTS.....	6
UPPER FRAME HARDWARE	7
ROCKER ARMS AND PEDAL LEVERS	8
CRANK COVER AND LOWER CAPS	9
LOWER FRAME SHROUDS AND HARDWARE	10
PEDAL LEVER COMPONENTS	11
PCB, BATTERY, REED SWITCH & BRACKET	12
BEARING-INSERT ASSEMBLY	13
CRANK ARM PULLEY ASSEMBLY.....	14
DRIVE MODULE	15
DRIVE MODULE HARDWARE	16
CABLES.....	17

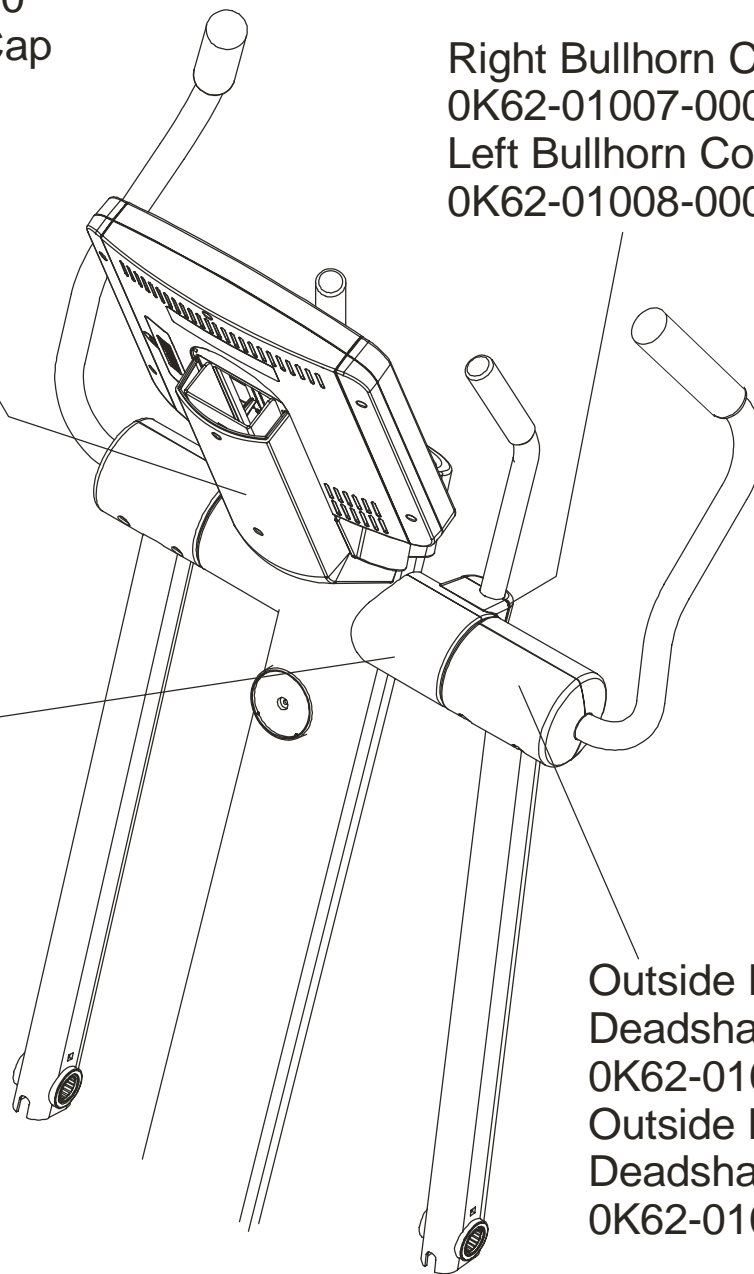
Note: The 93X has both Life Pulse sensors and Telemetry for reading Heart Rate and is pre-wired for attachable LCD TV's.

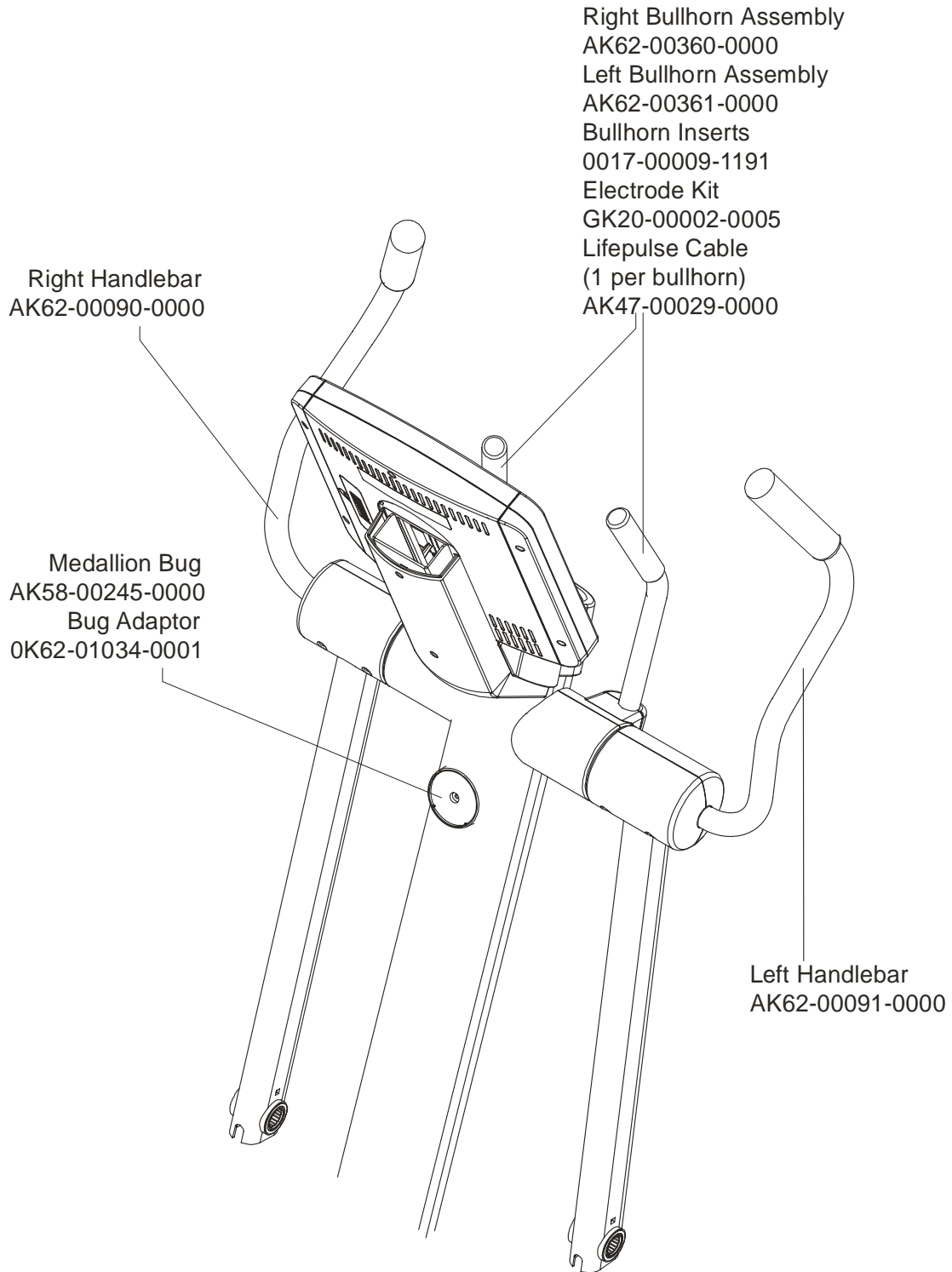
Console Support
MAK62-00123-0000
Console Support Cap
0K62-01030-0000
Console Support
Shroud
0K62-01023-0000

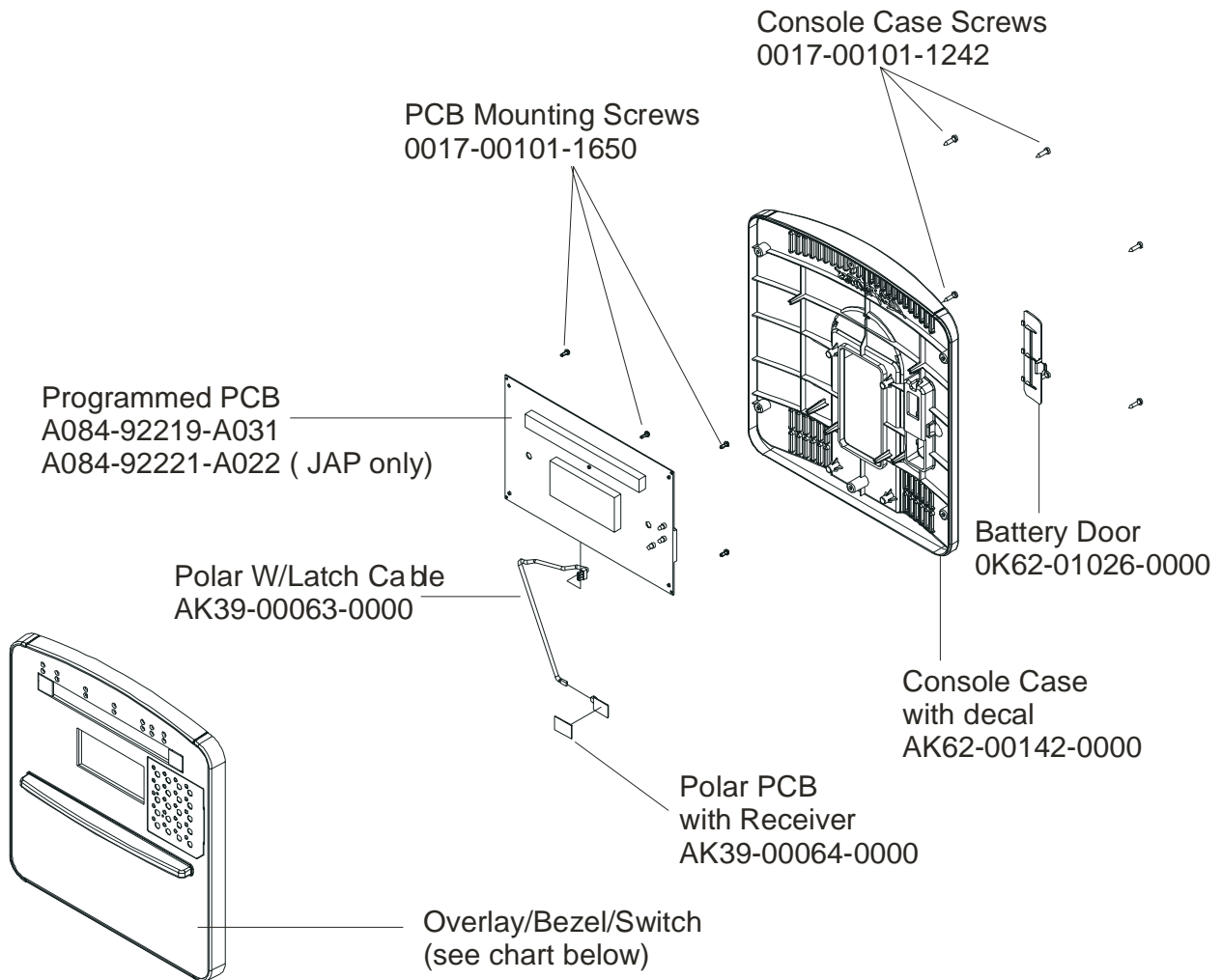
Right Bullhorn Cover
0K62-01007-0001
Left Bullhorn Cover
0K62-01008-0001

Right Inside
Deadshaft Cover
0K62-01010-0000
Left Inside
Deadshaft Cover
0K62-01011-0000
2-Front Inside
Deadshaft Cover
0K62-01009-0000

Outside Front
Deadshaft Cover (2)
0K62-01013-0000
Outside Rear
Deadshaft Cover (2)
0K62-01012-0000

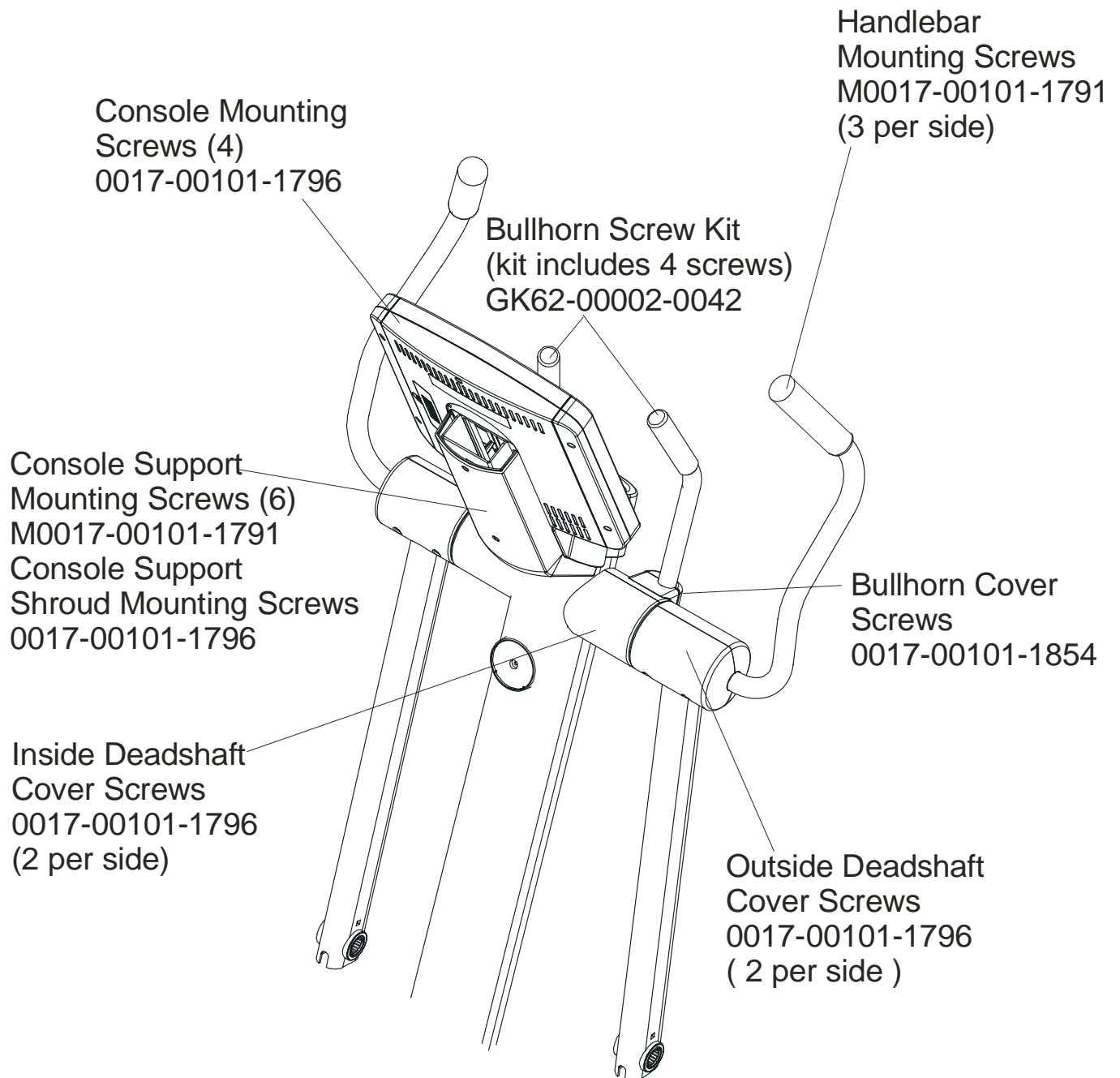






CONSOLE	OVERLAY/BEZEL/SWITCH	LANGUAGE
AK62-00365-0001	AK62-00190-0001	Eng/Eng
AK62-00365-0002	AK62-00190-0001	Eng+Met
AK62-00365-0003	AK62-00190-0003	Ger/Met
AK62-00365-0004	AK62-00190-0004	Spn/Met
AK62-00365-0006	AK62-00190-0006	Jap/Met
AK62-00365-0007	AK62-00190-0007	Frn/Met
AK62-00365-0008	AK62-00190-0008	Ital/Met
AK62-00365-0009	AK62-00190-0009	Dut/Met
AK62-00365-0010	AK62-00190-0010	Port/Met
AK62-00365-0014	AK62-00190-0001	Turk/Met

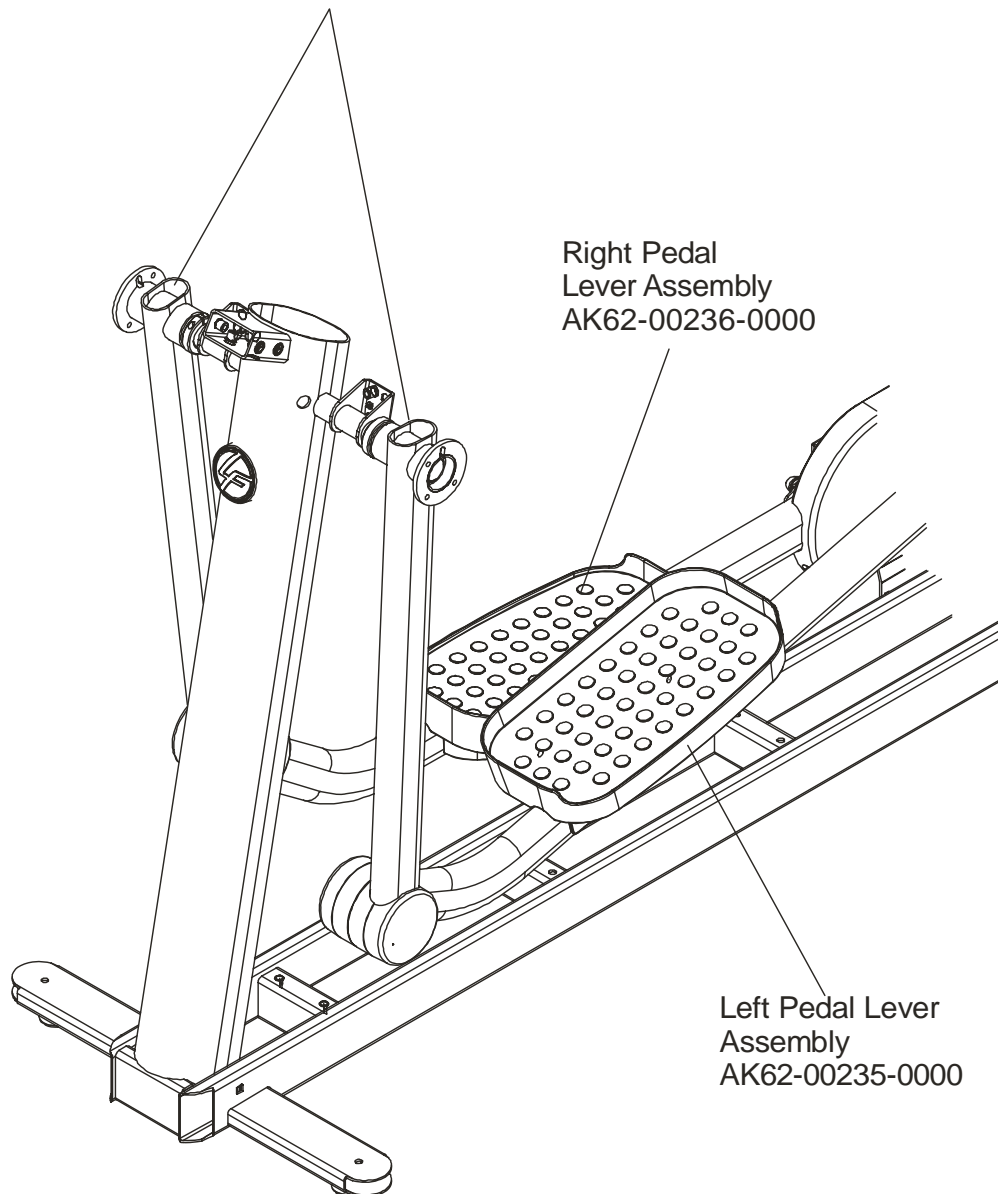
Items Not Shown	
Accessory Tray	0K62-01022-0000
Accessory Tray Mounting Screws (2)	0017-00101-1846



Rocker Arms Kit
GK62-00002-0070
contents:

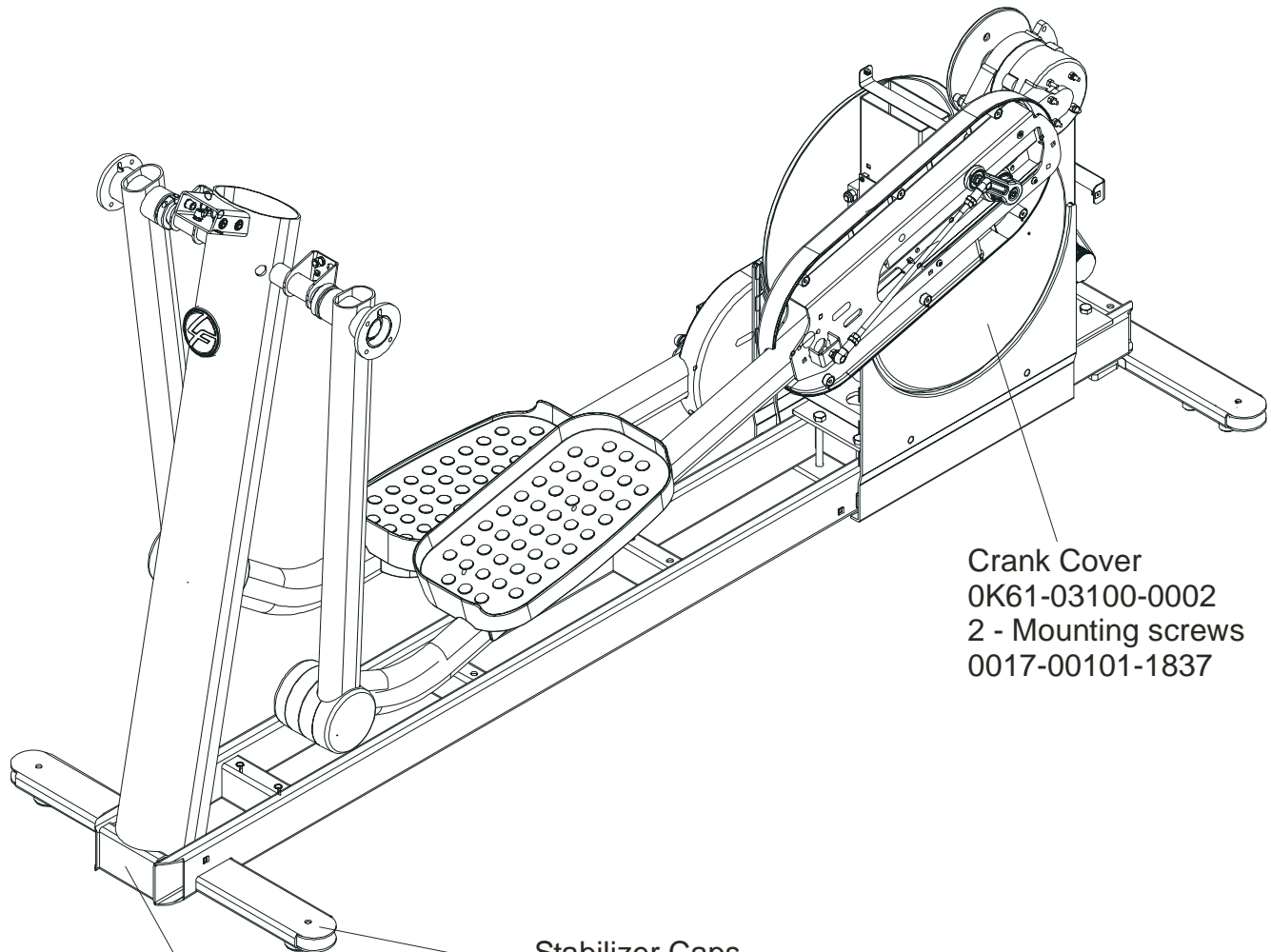
- Rocker Arms (2)
- Hardened Spacers (2)
- Oilite Washers (2)
- Retaining Rings (2)
- Loctite 620
- Alcohol pad

Rocker Arms
AK62-00002-0070
Shaft Collar w/Screws
0K61-01259-0000



ARCTIC SILVER QUIET DRIVE 93X
Crank Cover and Lower Caps

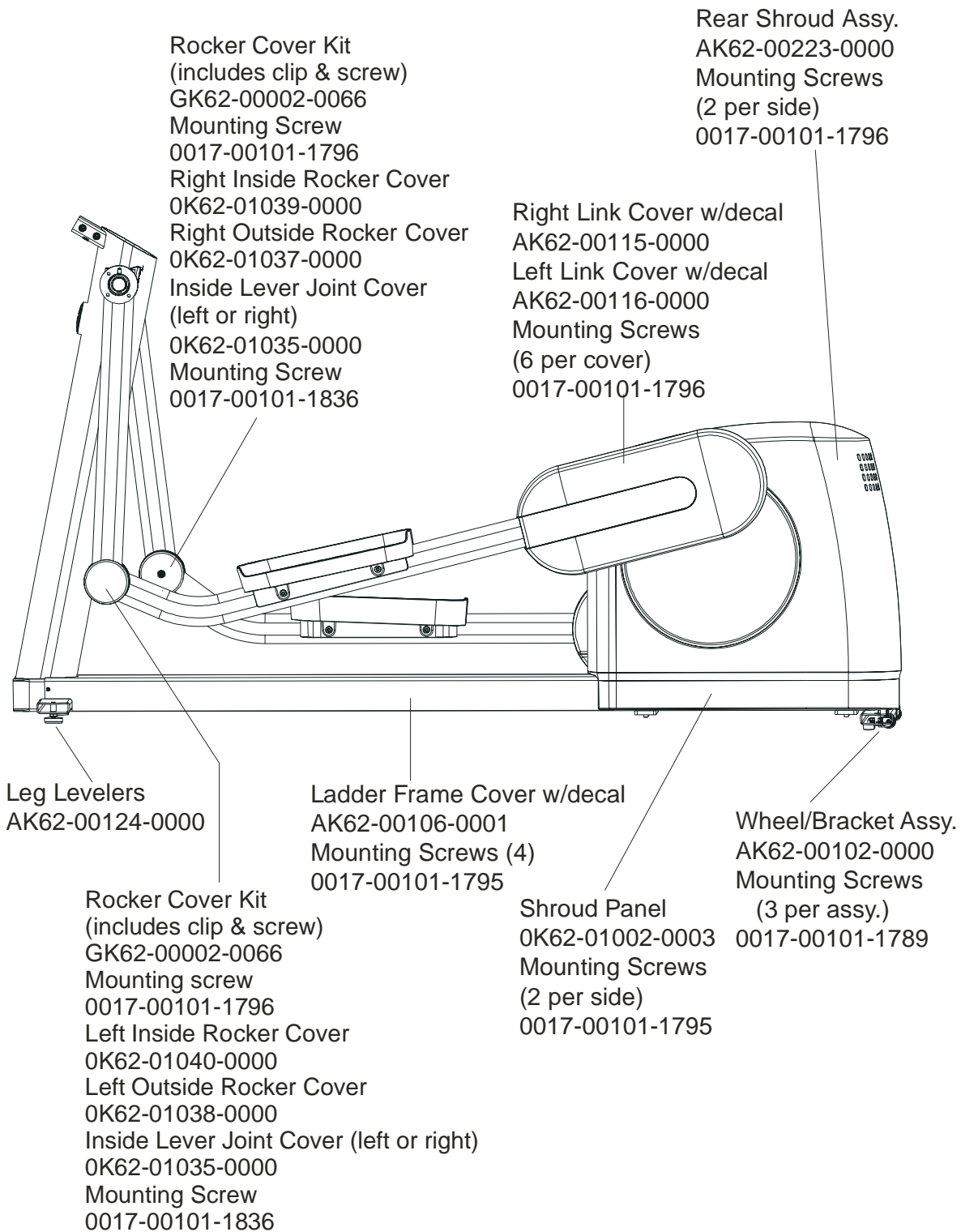
93X-0XXX-05
S/N XHF074003991 – XHF074204255



Crank Cover
0K61-03100-0002
2 - Mounting screws
0017-00101-1837

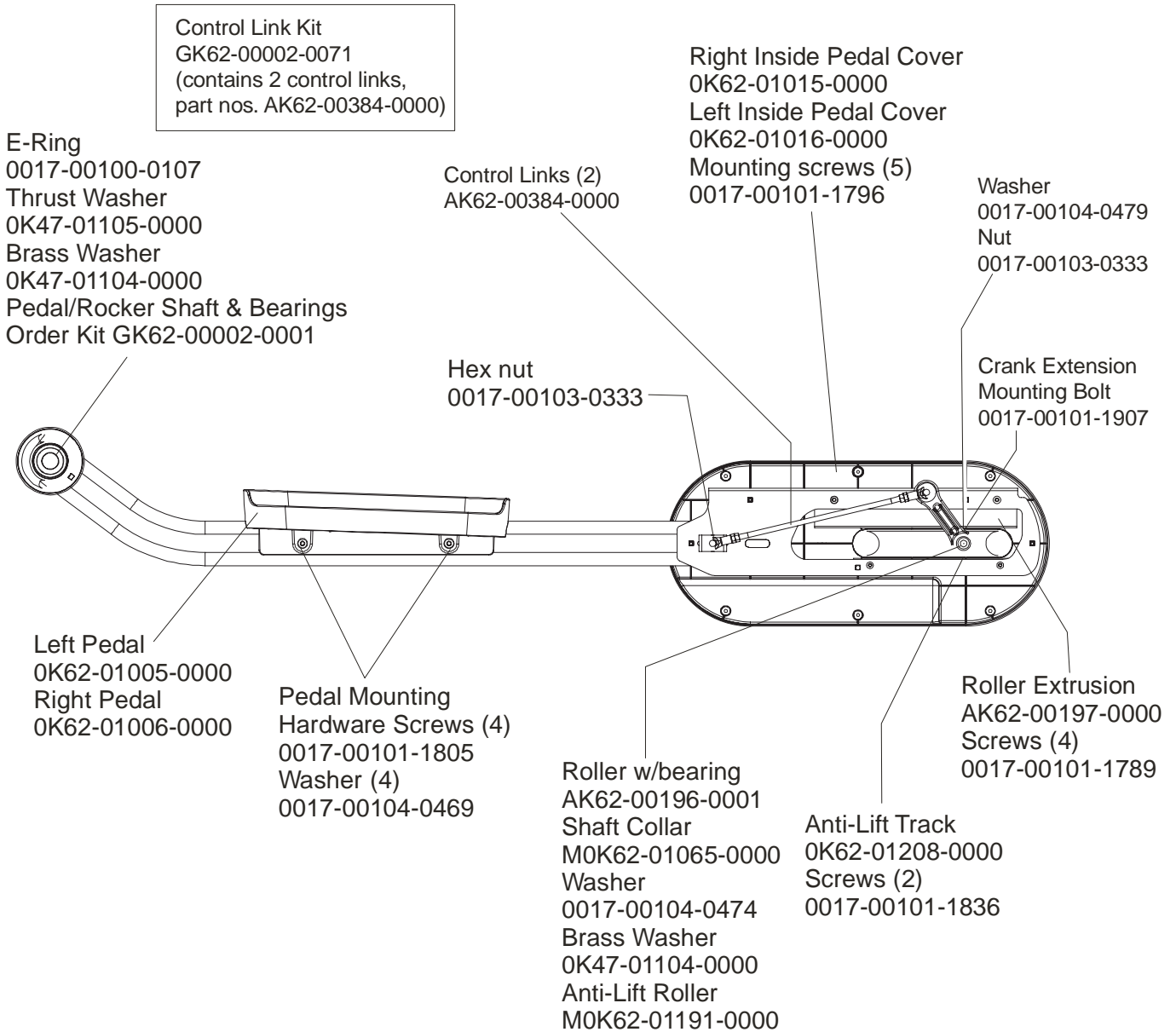
Stabilizer Caps
4 - 0K62-01003-0000

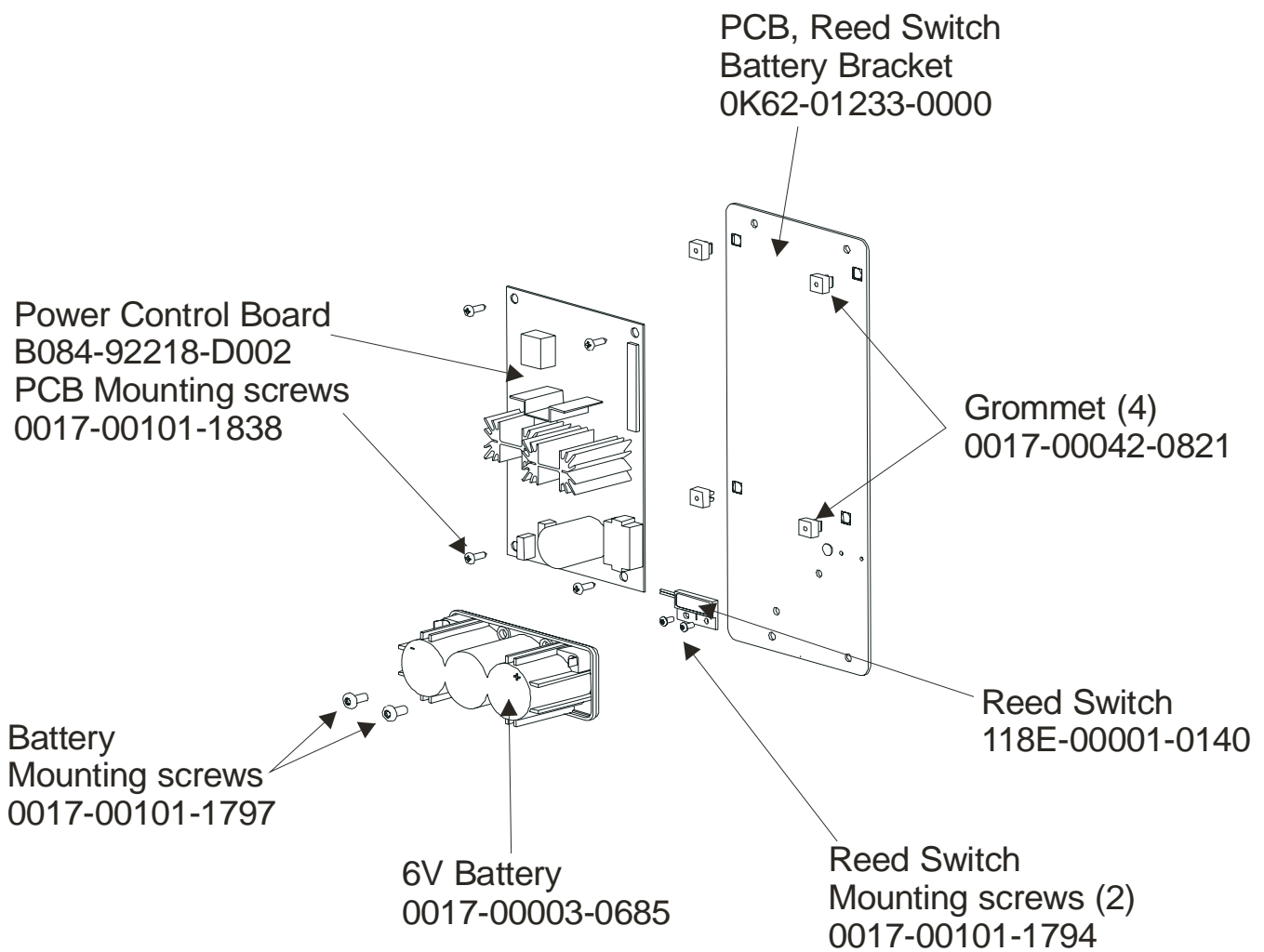
Front frame Cap
0K62-01004-0000
Mounting Screws
(Located on front sides of Ladder Frame Cover)
2- 0017-00101-1795



ARCTIC SILVER QUIET DRIVE 93X
Pedal Lever Assembly Components

93X-0XXX-05
S/N XHF074003991 – XHF074204255





ARCTIC SILVER QUIET DRIVE 93X
Bearing-Insert Assembly –
AK62-00299-0000

93X-0XXX-05
S/N XHF074003991 –
XHF074204255

This assembly is used 4 times on the drive module assembly.

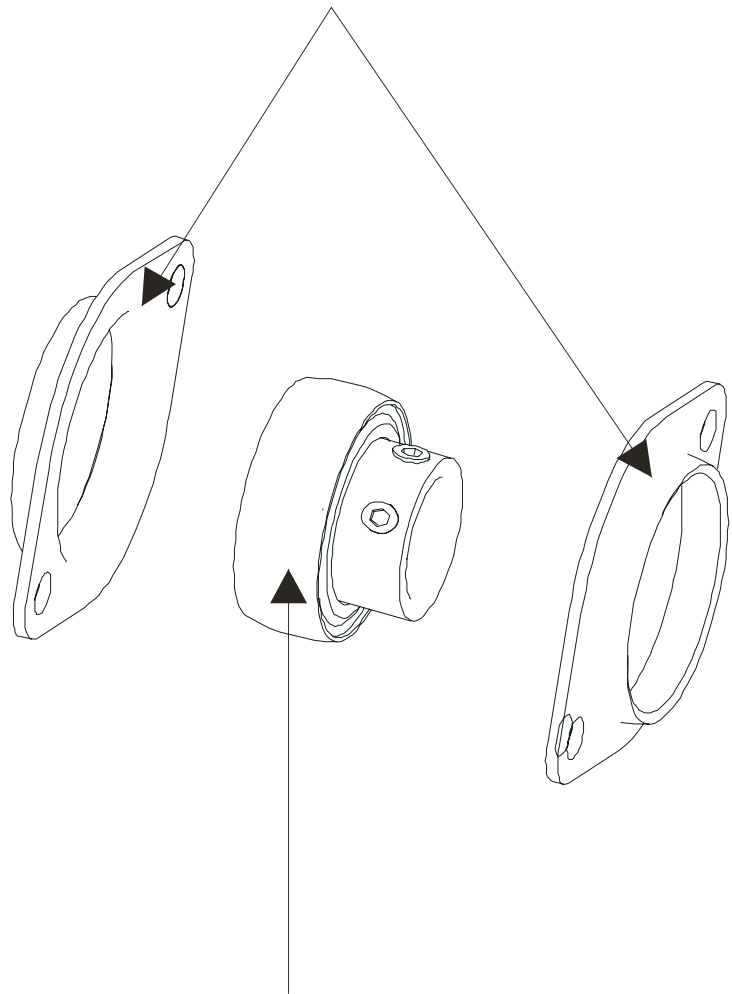
Service Kit-
MGK62-00002-0044
Includes:

- 1 - crankshaft
- 2 - bearings
- 2 - sets of bearing flanges
- 4 - weldnuts and flat washers
- 4 - bolts

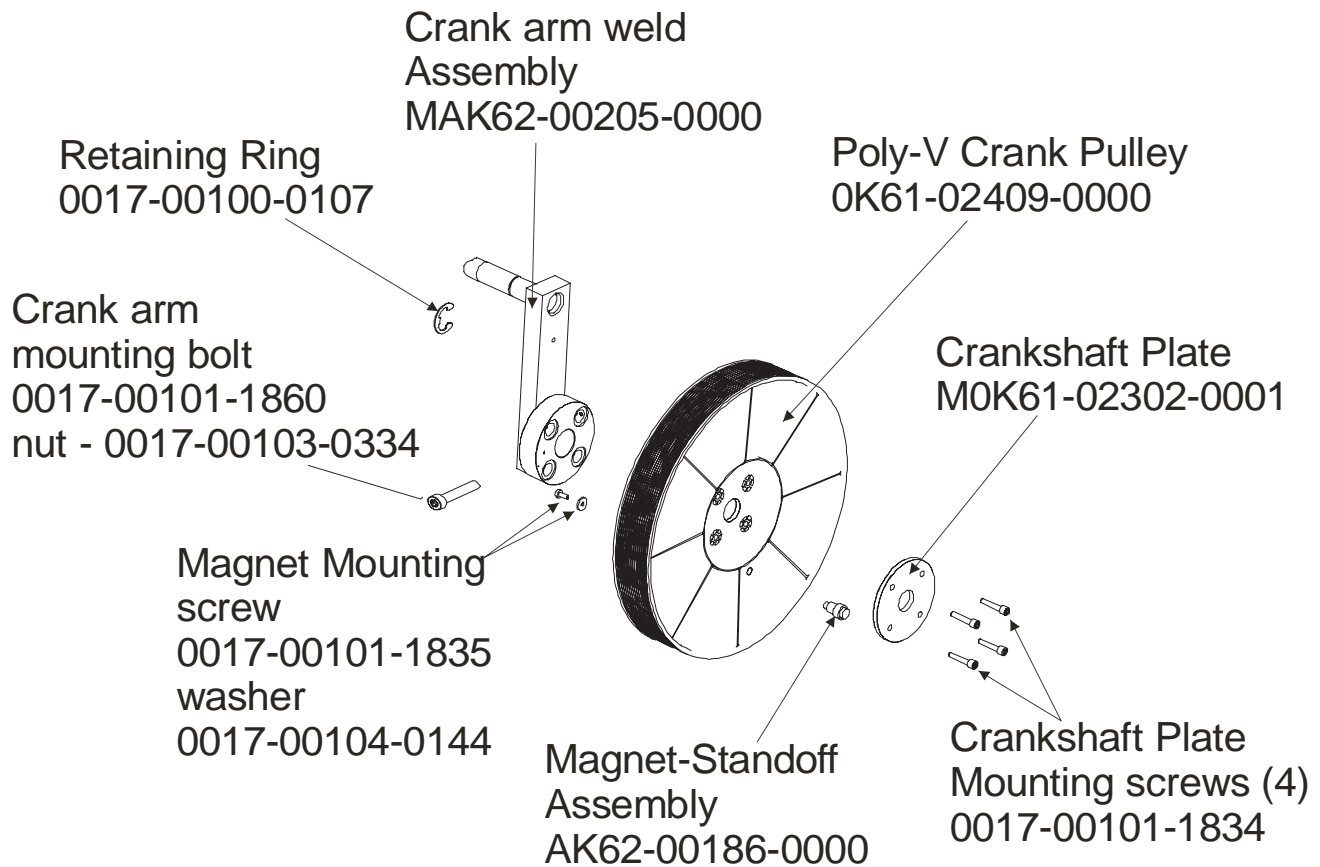
Service Kit- GK62-00002-0045
Includes:

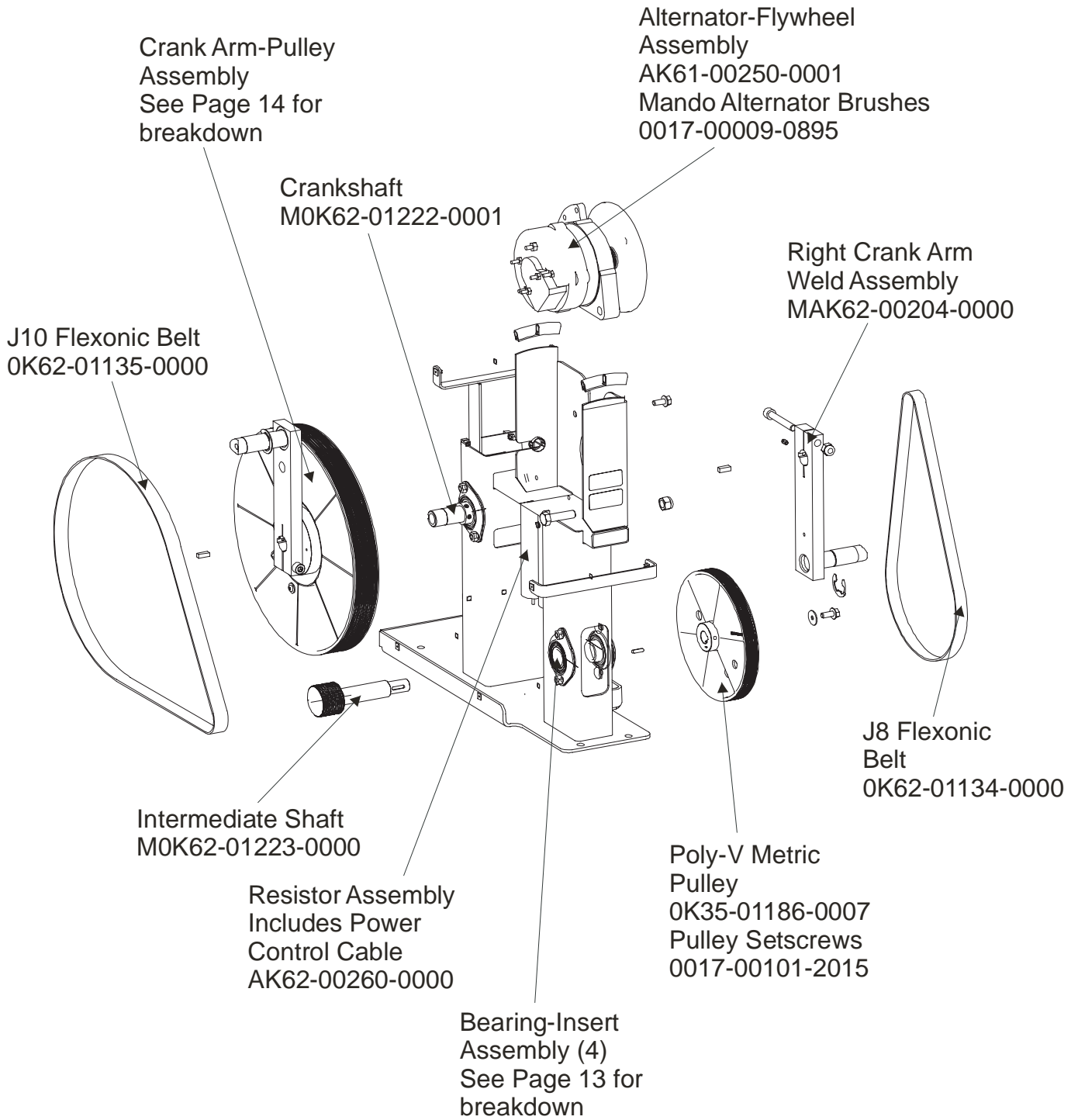
- 1 - intermediate shaft
- 2 - bearings
- 2 - sets of bearing flanges
- 4 - nuts and washers
- 4 - bolts

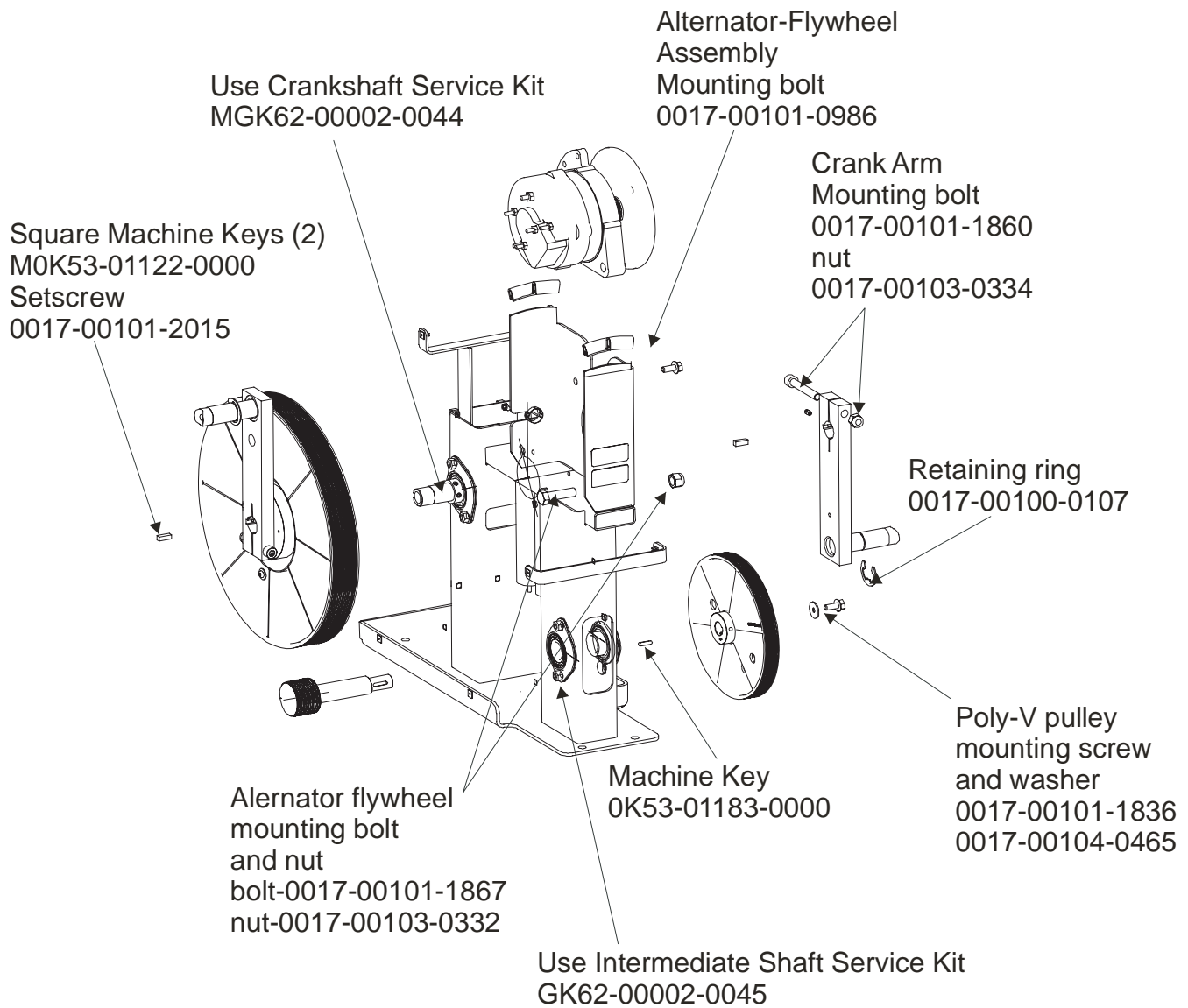
Bearing Flanges (2)
OK62-01220-0000

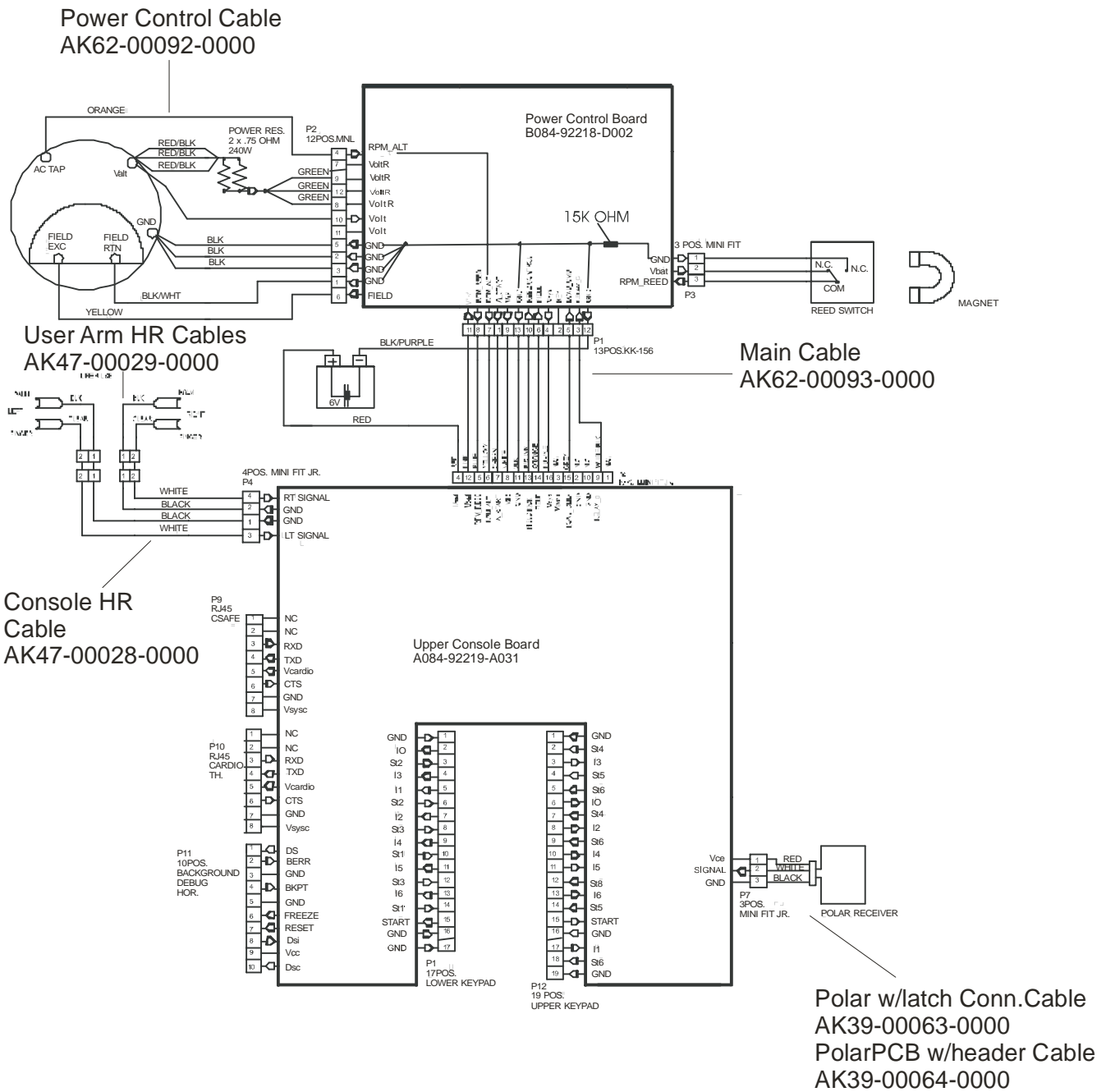


1" Bearing
OK62-01221-0000









Free Manuals Download Website

<http://myh66.com>

<http://usermanuals.us>

<http://www.somanuals.com>

<http://www.4manuals.cc>

<http://www.manual-lib.com>

<http://www.404manual.com>

<http://www.luxmanual.com>

<http://aubethermostatmanual.com>

Golf course search by state

<http://golfingnear.com>

Email search by domain

<http://emailbydomain.com>

Auto manuals search

<http://auto.somanuals.com>

TV manuals search

<http://tv.somanuals.com>