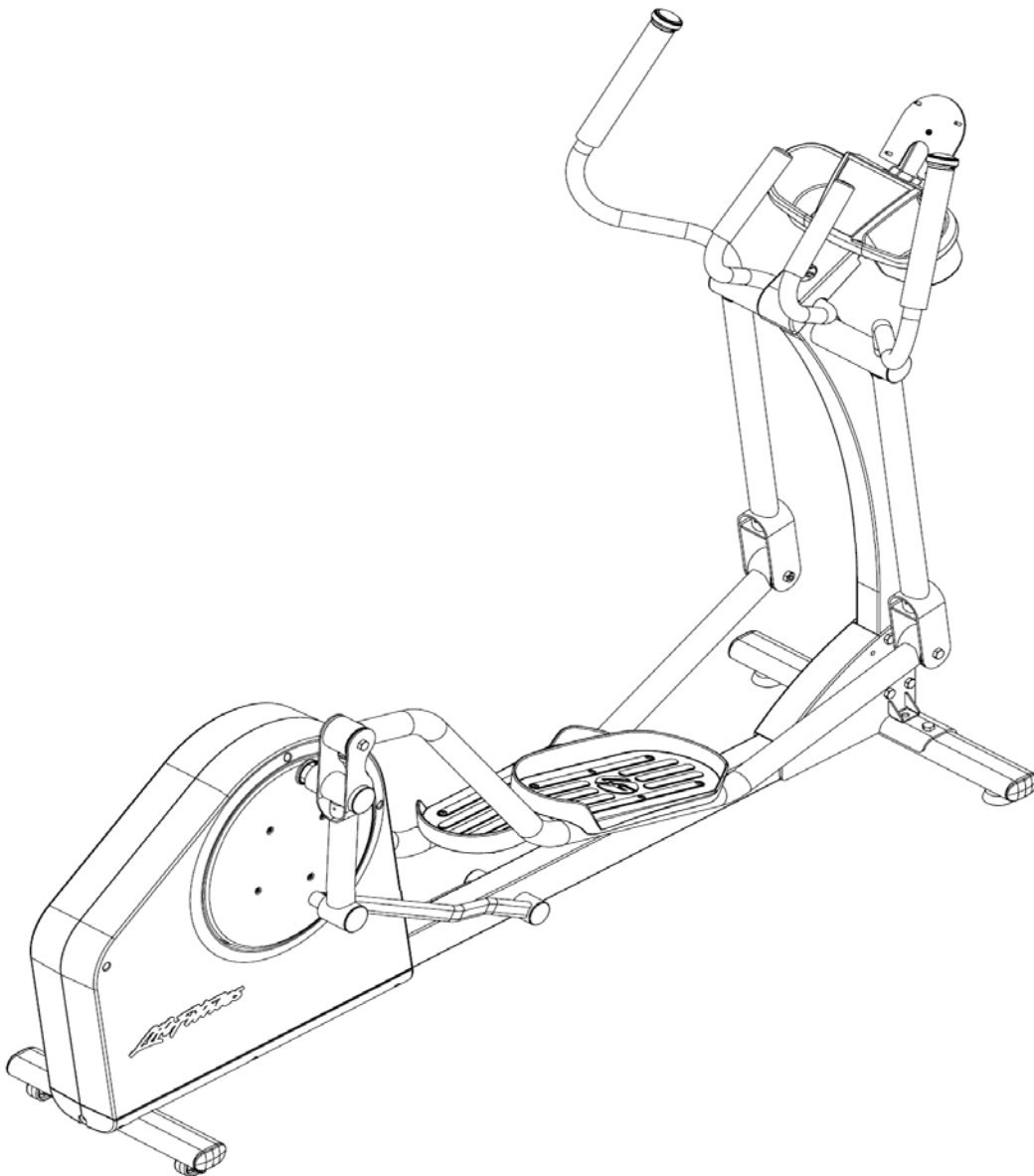


LifeFitness

X1 Consumer Cross Trainer



Customer Support Services ***PARTS MANUAL***

01 Sept. 2010

CONSOLES AND TRANSFORMERSPage 3
UPRIGHT & RELATED COMPONENTSPage 4
USER ARM ASSEMBLIES & COMPONENTS.....Page 5
PEDAL LEVER ASSEMBLIES & COMPONENTS.....Page 6
MAIN SHROUDS & CRANK COVERSPage 7
IDLER & COUPLER ASSEMBLIESPage 8
CRANK RELATED COMPONENTS.....Page 9
BRAKE AND TENSIONER COMPONENTS.....Page 10
STABILIZER COMPONENTS AND GROMMETS.....Page 11
MOTOR, REED SWITCH AND CABLES.....Page 12

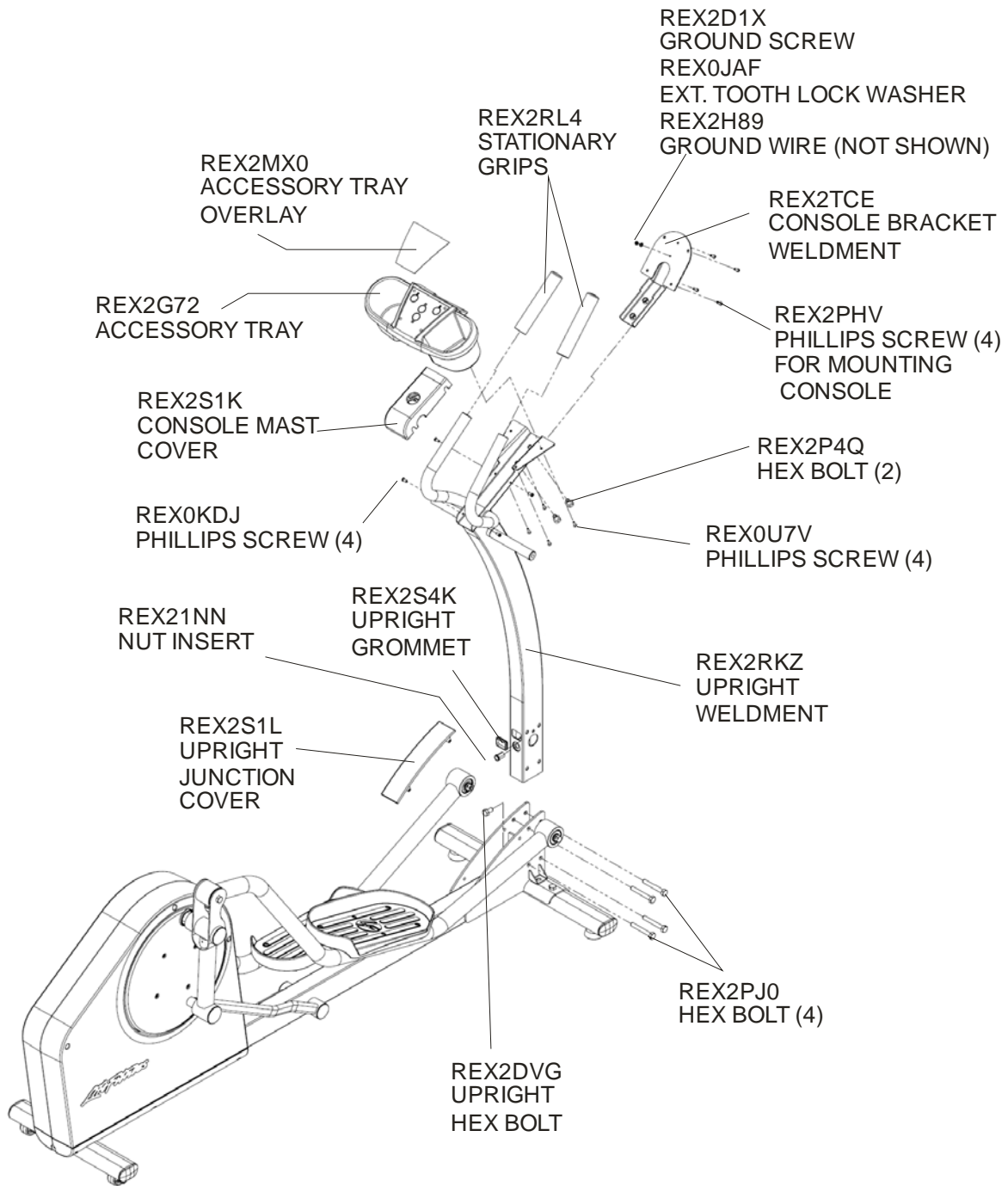
Operation Manual – 8591801
Hardware Bag -- 8586101

Console part numbers:

BAS-000X-0203	BASIC BIKE/CT CONSOLE ENG
BAS-020X-0103 BAS-020X-0203	BASIC BIKE/CT CONSOLE GER/MET
ADV-000X-0203	ADV BIKE/CT CONSOLE ENG
ADV-020X-0103 ADV-020X-0203	ADV BIKE/CT CONSOLE GER/MET
8071301	100-240V, 1.5A DOM TRANSFORMER
8071401	230/50-9VDC, 1.5A CONT. TRANSFORMER
8071501	230/50-9VDC, 1.5A UK TRANSFORMER
8071601	240/50-9VDC, 1.5A AUST TRANSFORMER

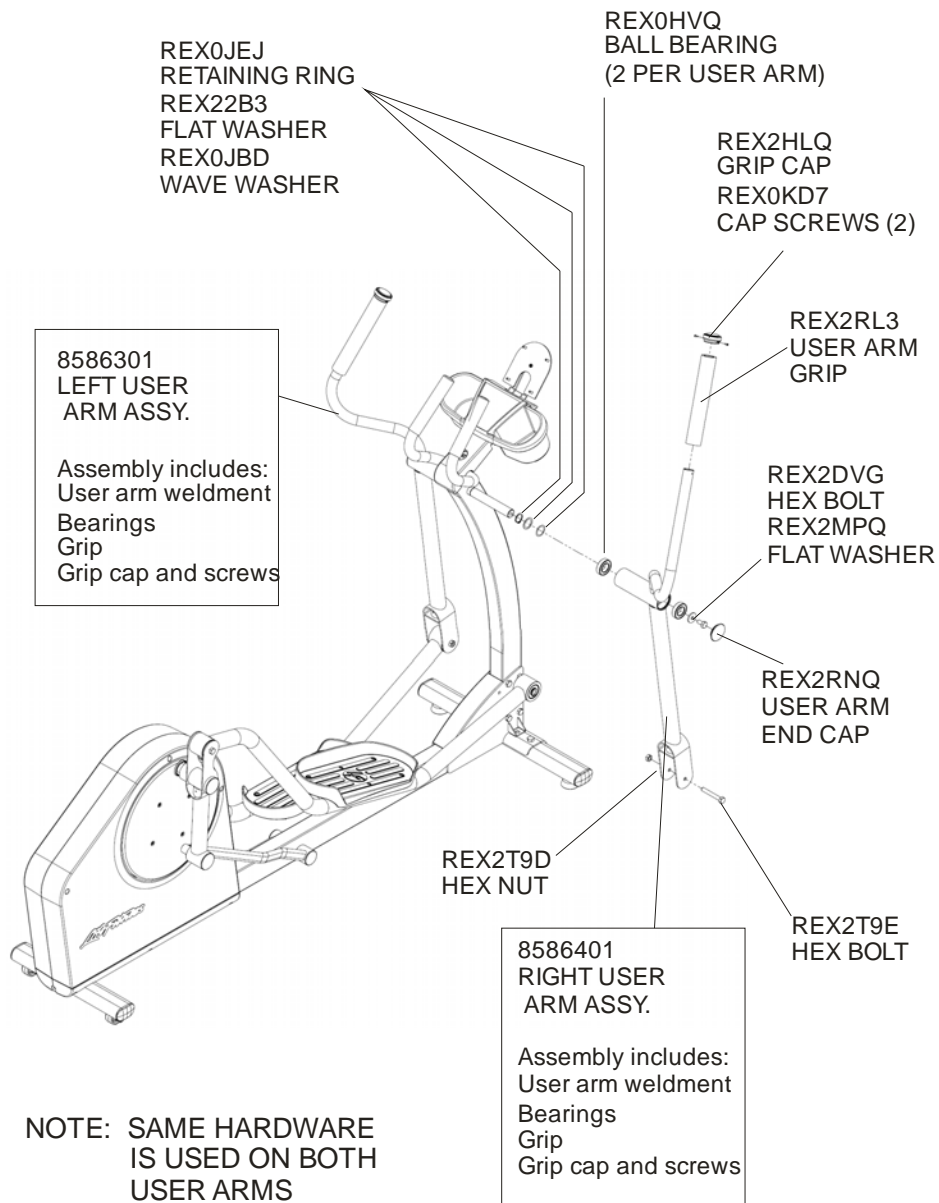
X1 Consumer Cross Trainer
Upright & related components

X1-XX00-0203
S/N



X1 Consumer Cross Trainer
User arm assemblies & components

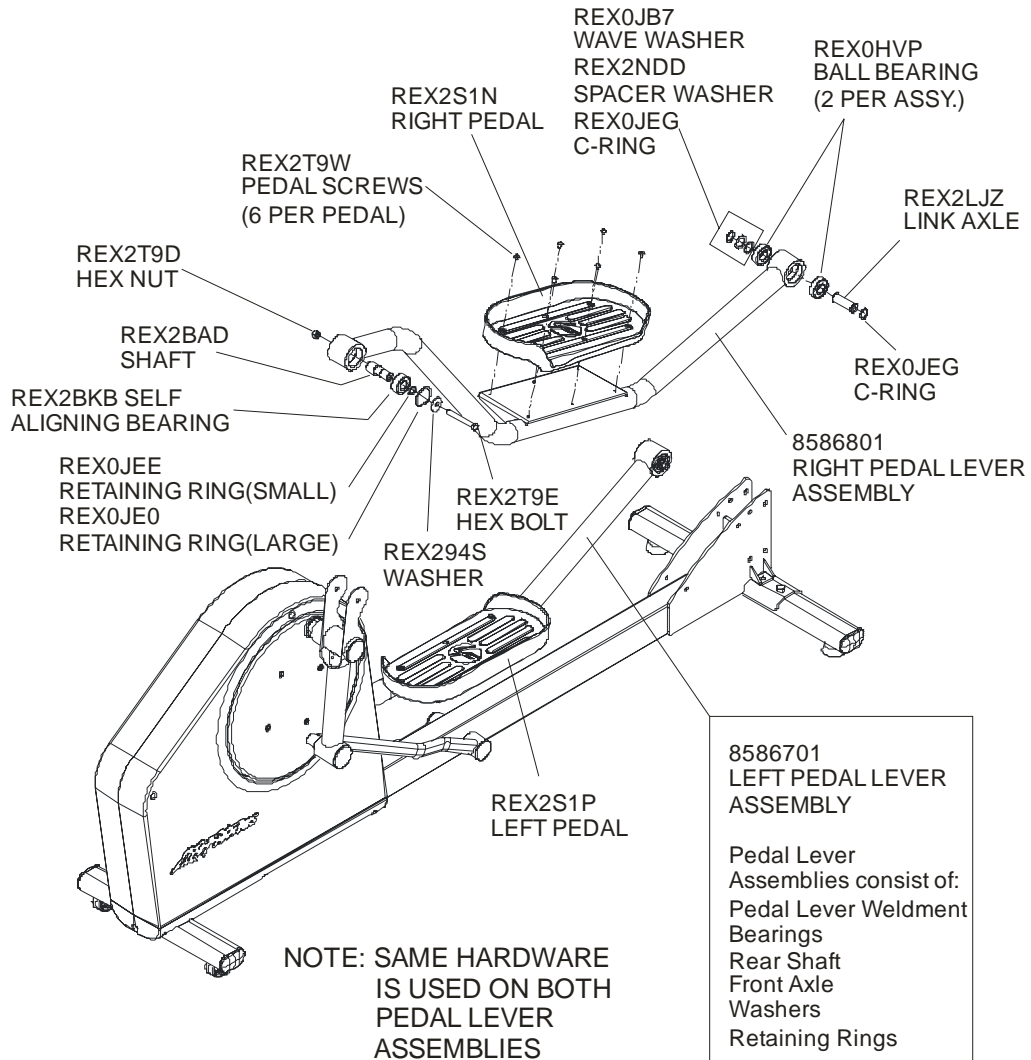
X1-XX00-0203
S/N



X1 Consumer Cross Trainer

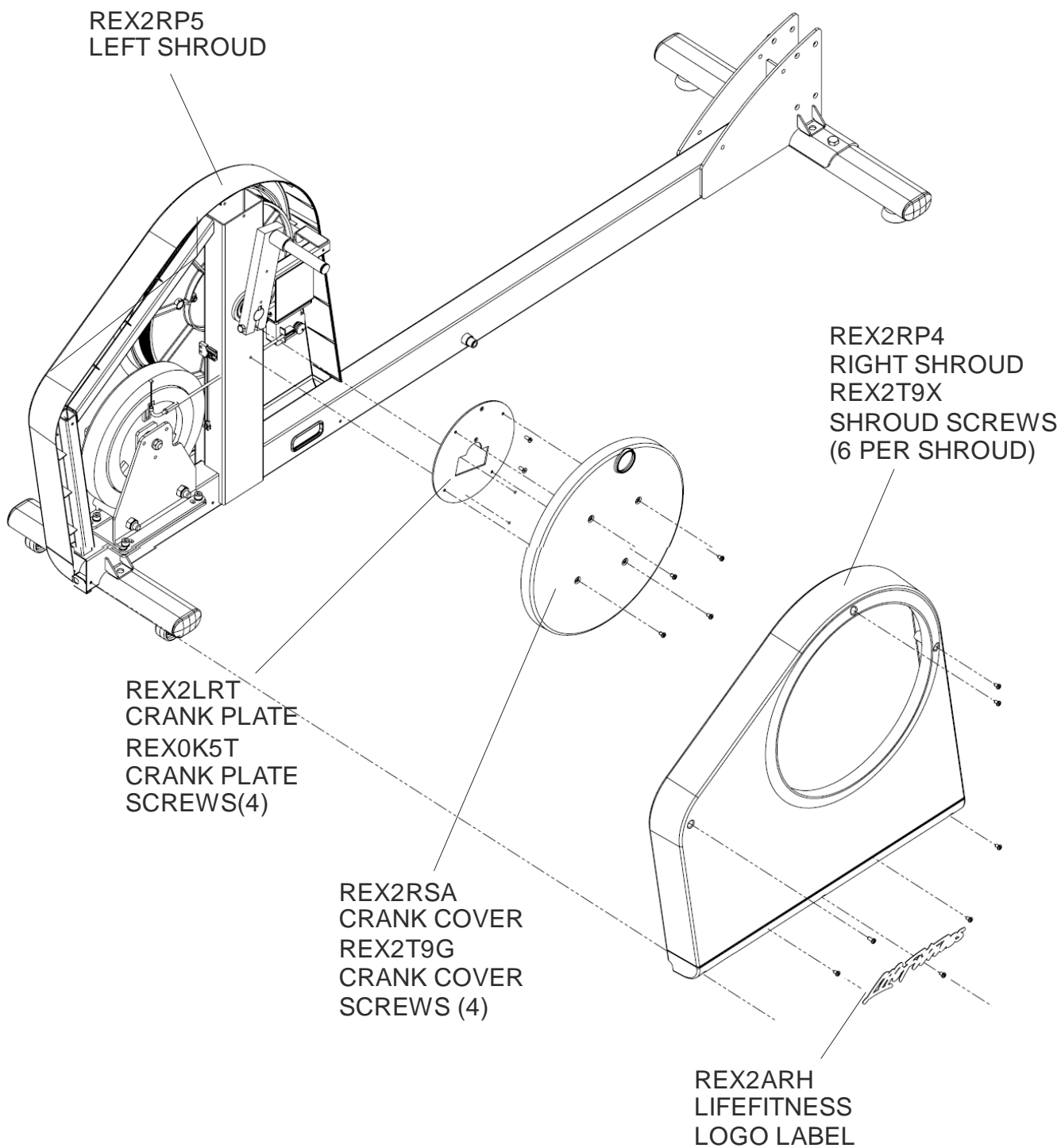
Pedal Lever Assemblies & components

X1-XX00-0203
S/N



X1 Consumer Cross Trainer
Main Shrouds & Crank Covers

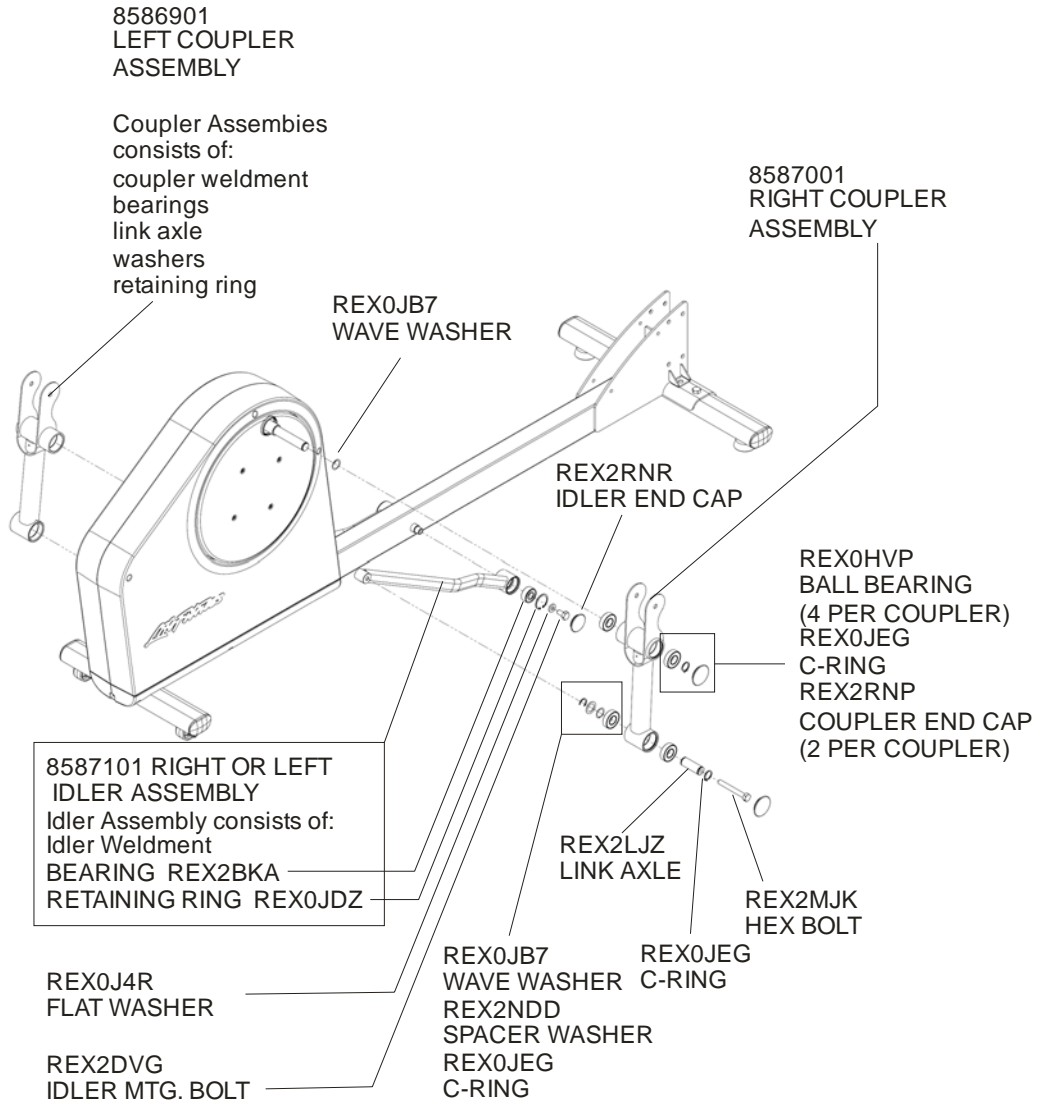
X1-XX00-0203
S/N



X1 Consumer Cross Trainer

Idler and Coupler Assemblies

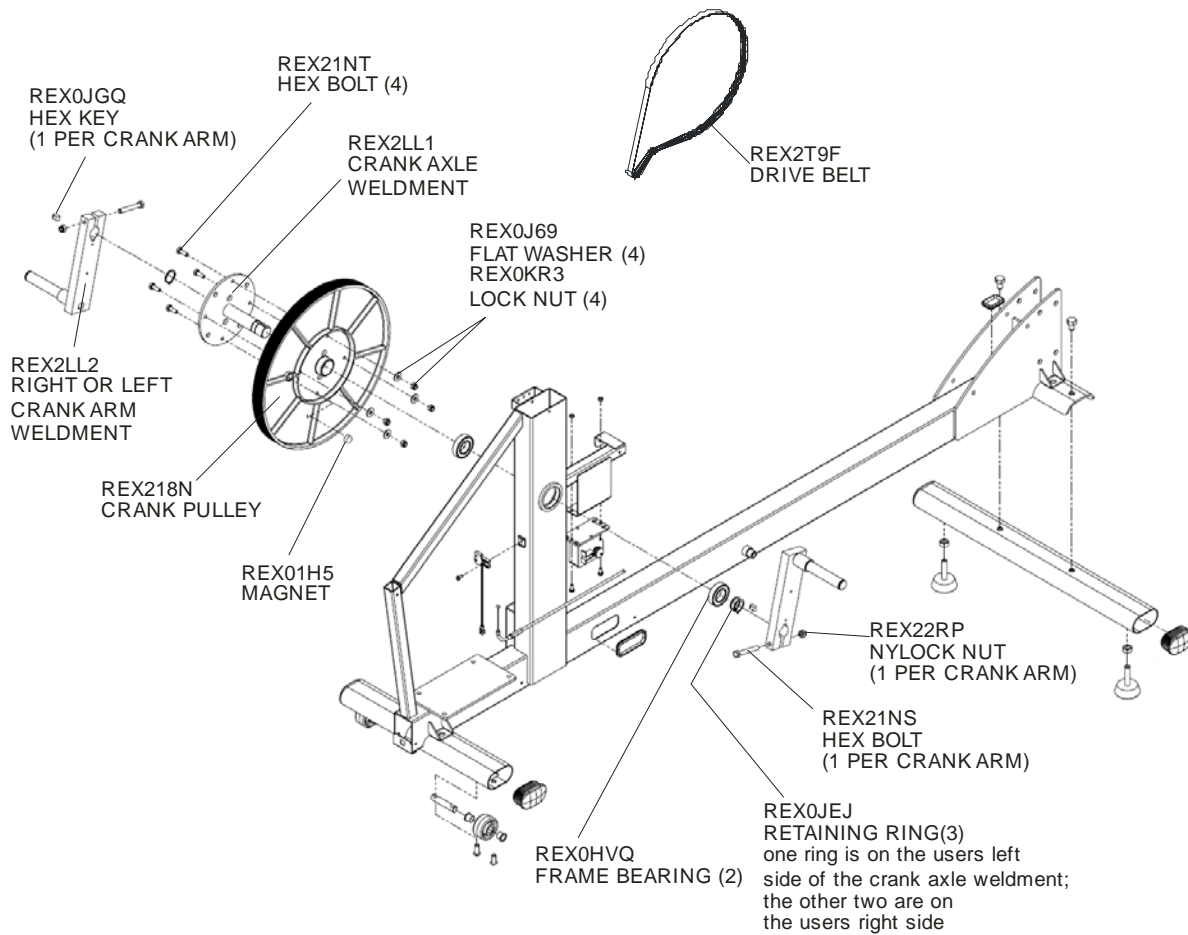
X1-XX00-0203
S/N



X1 Consumer Cross Trainer

Crank related components

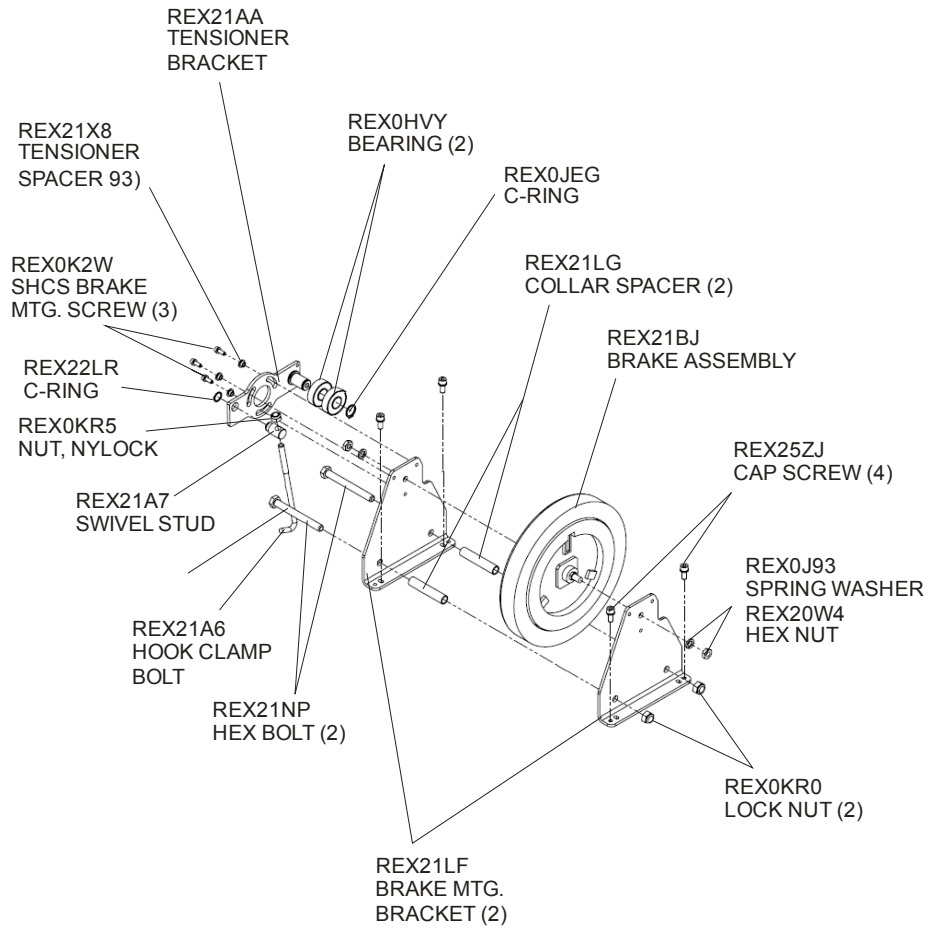
X1-XX00-0203
S/N



X1 Consumer Cross Trainer

Brake and Tensioner components

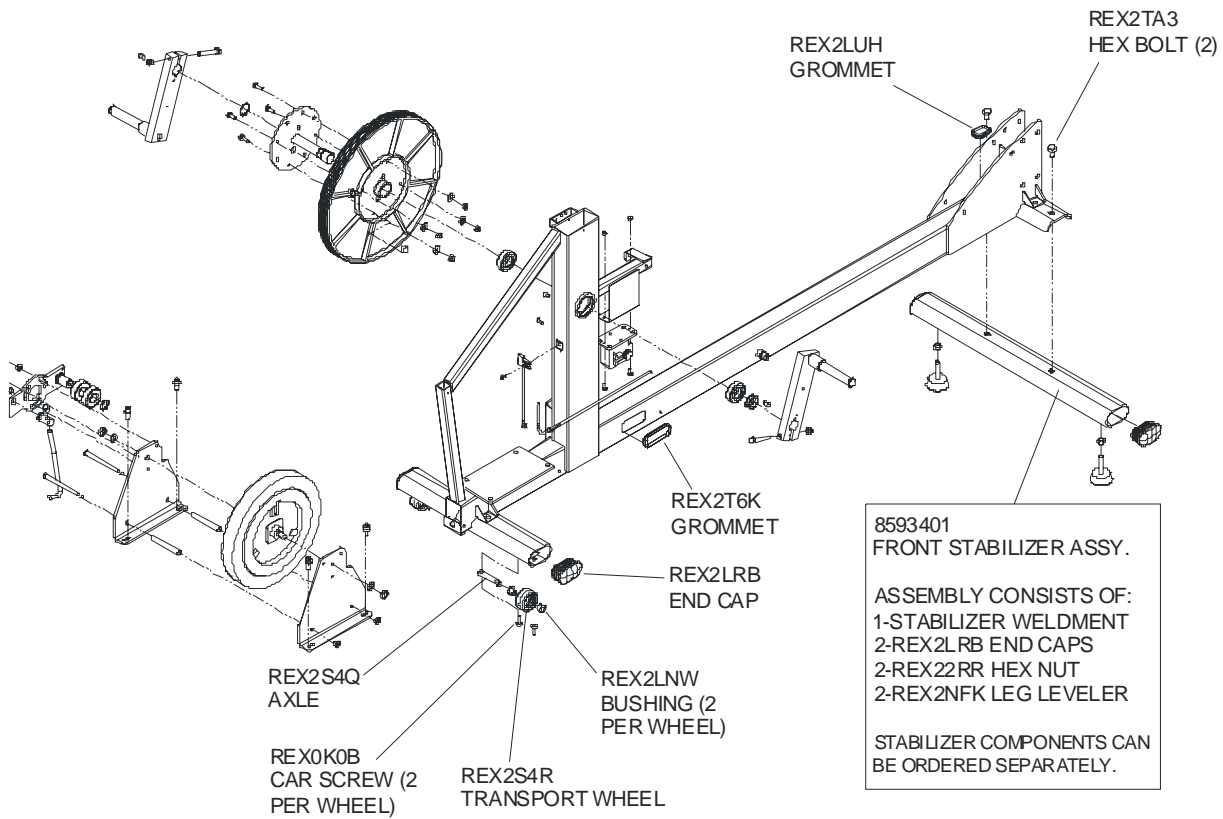
X1-XX00-0203
S/N



X1 Consumer Cross Trainer

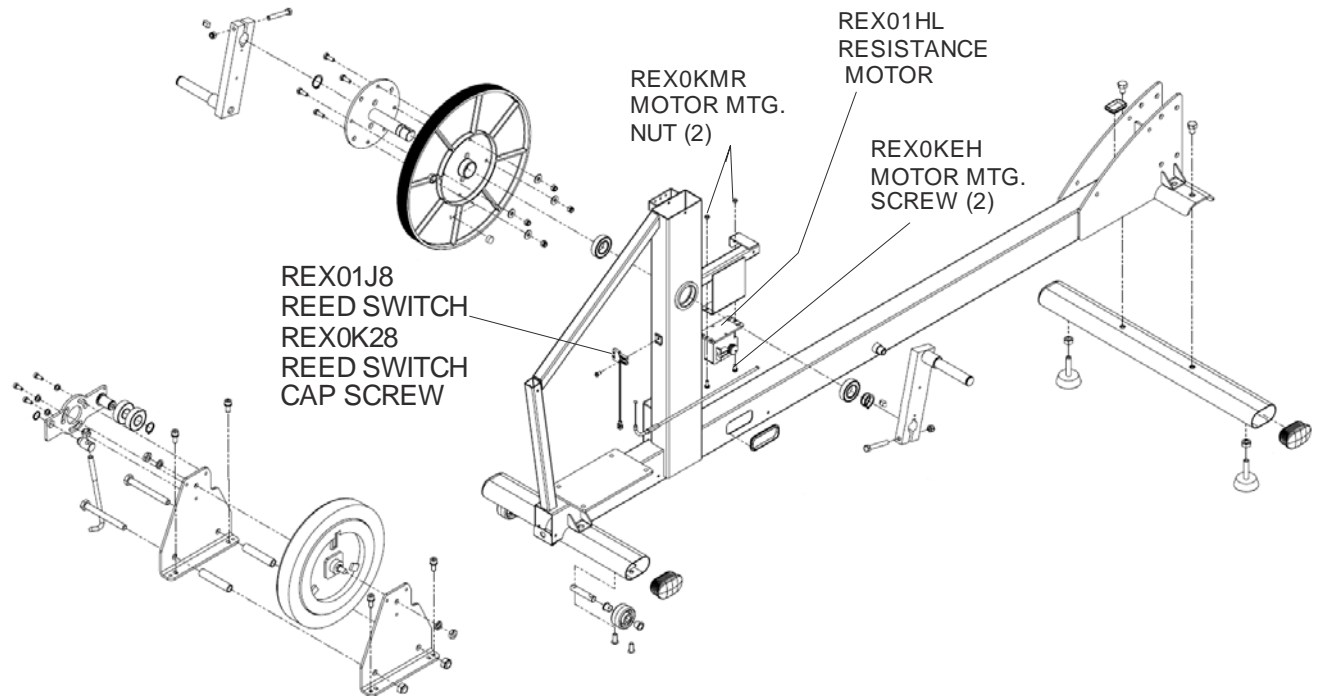
Stabilizer Components & Grommets

X1-XX00-0203
S/N



X1 Consumer Cross Trainer
Motor, Reed Switch & Cables

X1-XX00-0203
S/N



- REX2JTW - Wire Harness, Upright
- REX2GHY - Wire Harness, Base
- REX2K86 - Wire Harness, Transformer to Base Harness
- REX01QH - Brake cable (Mechanical)
- REX2T9F - Drive Belt Poly-V

Free Manuals Download Website

<http://myh66.com>

<http://usermanuals.us>

<http://www.somanuals.com>

<http://www.4manuals.cc>

<http://www.manual-lib.com>

<http://www.404manual.com>

<http://www.luxmanual.com>

<http://aubethermostatmanual.com>

Golf course search by state

<http://golfingnear.com>

Email search by domain

<http://emailbydomain.com>

Auto manuals search

<http://auto.somanuals.com>

TV manuals search

<http://tv.somanuals.com>