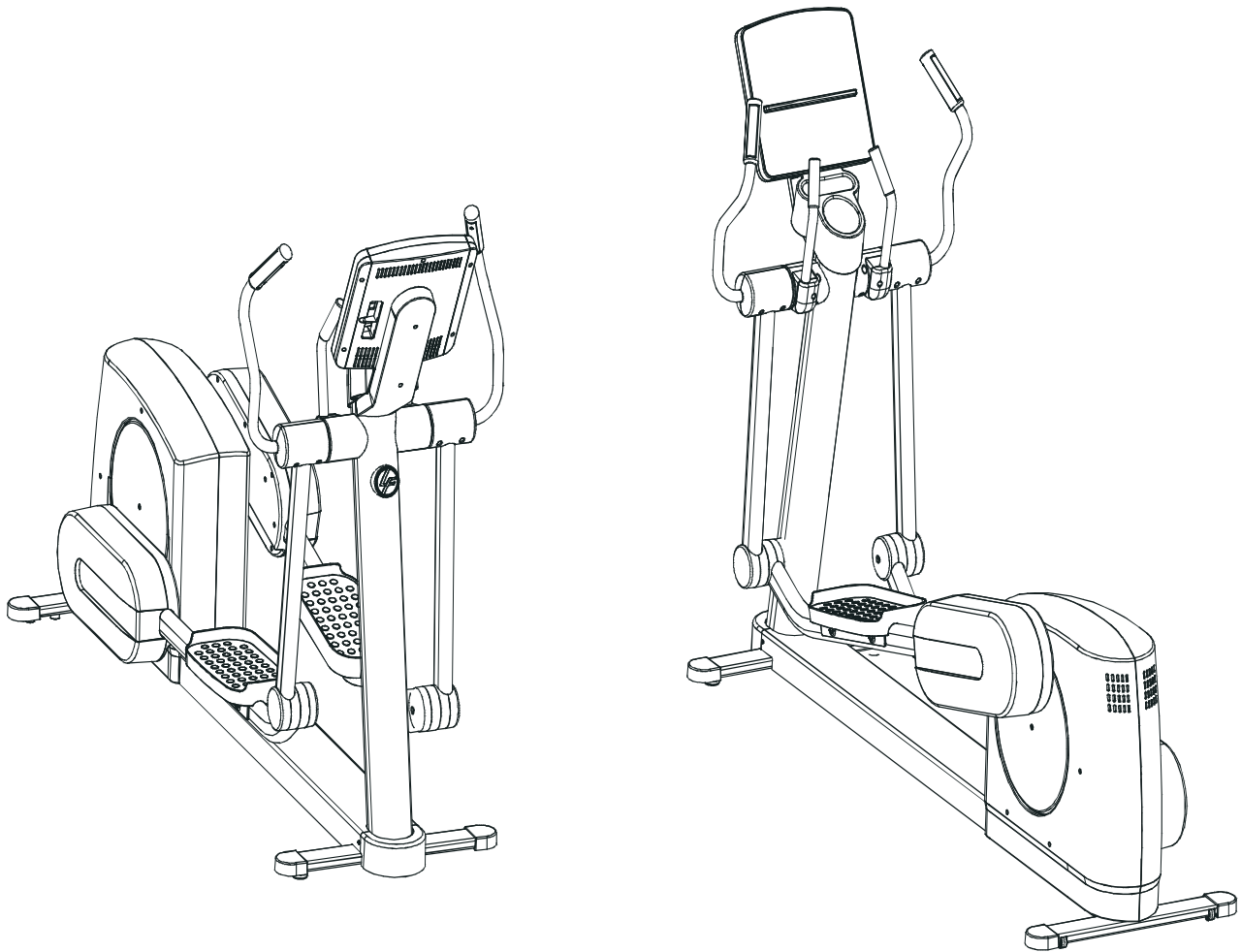


LifeFitness

ARCTIC SILVER QUIET DRIVE CROSS
TRAINER 93X-OXXX-04



Customer Support Services PARTS MANUAL rev 14 Jun 2010

ARCTIC SILVER QUIET DRIVE 93X
REFERENCES

93X-0XXX-04
S/N XWF100000

OPERATION MANUAL – (ENG)	M051-00K62-A181
OPERATION MANUAL – (F/S/P)	M051-00K62-A182
OPERATION MANUAL – (G/D/I)	M051-00K62-A183
OPERATION MANUAL – (JAP)	M051-00K62-A184
SERVICE MANUAL	M051-00K62-A149
TOUCH UP PAINT: SPRAY CAN	0017-00008-0204
.5 OZ BOTTLE W/APPLICATOR	0017-00008-0205
.33 OZ PEN	0017-00008-0206
HARDWARE BAG	AK62-00152-0001
POWER CABLE WITH BRACKET ASSEMBLY CONSISTS OF: 120" COAX CABLE ASSY.	AK62-00210-0000 AK32-00020-0002
120" POWER EXTENSION CABLE	AK32-00078-0001
ACCESS PANEL BRACKET	0K62-01179-0001
F-TYPE PANEL CONNECTOR	0017-00021-2846
#8 PLASTIC GROMMET	0017-00042-0754
PLUG IN OPTION 120/60	GK62-00002-0018
PLUG IN OPTION 240/50 UK	GK62-00002-0019
PLUG IN OPTION 240v AUS	GK62-00002-0020
PLUG IN OPTION 230/50 CONT.	GK62-00002-0021
C-SAFE KIT	GK63-00002-0003

	Page
CONSOLE SUPPORT & DEADSHAFT COVERS	4
HANDLEBARS AND BULLHORNS	5
CONSOLE AND RELATED COMPONENTS.....	6
UPPER FRAME HARDWARE	7
ROCKER ARMS AND PEDAL LEVERS	8
CRANK COVER AND LOWER CAPS	9
LOWER FRAME SHROUDS AND HARDWARE	10
PEDAL LEVER COMPONENTS	11
PCB, BATTERY, REED SWITCH & BRACKET	12
BEARING-INSERT ASSEMBLY	13
CRANK ARM PULLEY ASSEMBLY.....	14
DRIVE MODULE	15
DRIVE MODULE HARDWARE	16
CABLES.....	17

Note: Adding the version –02 attachable LCD TV to this model makes it a 93XER-XXX-04. See the Entertainment parts list marked LCD-0XXX-02 for the part numbers and descriptions for the attachable LCD TV, remote and hardware for this product.

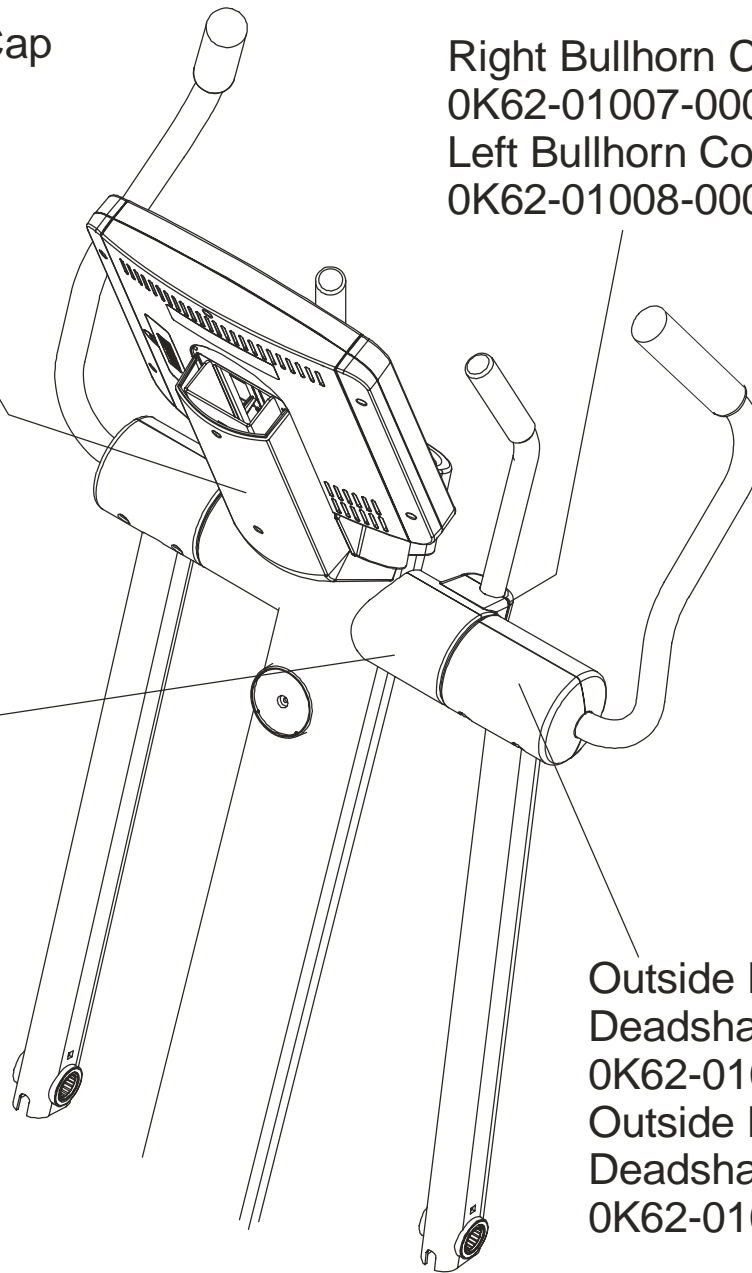
Note: The 93X has both Contact Heart Rate and Telemetry and is pre-wired for attachable TV's.

Console Support
AK62-00123-0000
Console Support Cap
0K62-01030-0000
Console Support
Shroud
0K62-01023-0000

Right Bullhorn Cover
0K62-01007-0001
Left Bullhorn Cover
0K62-01008-0001

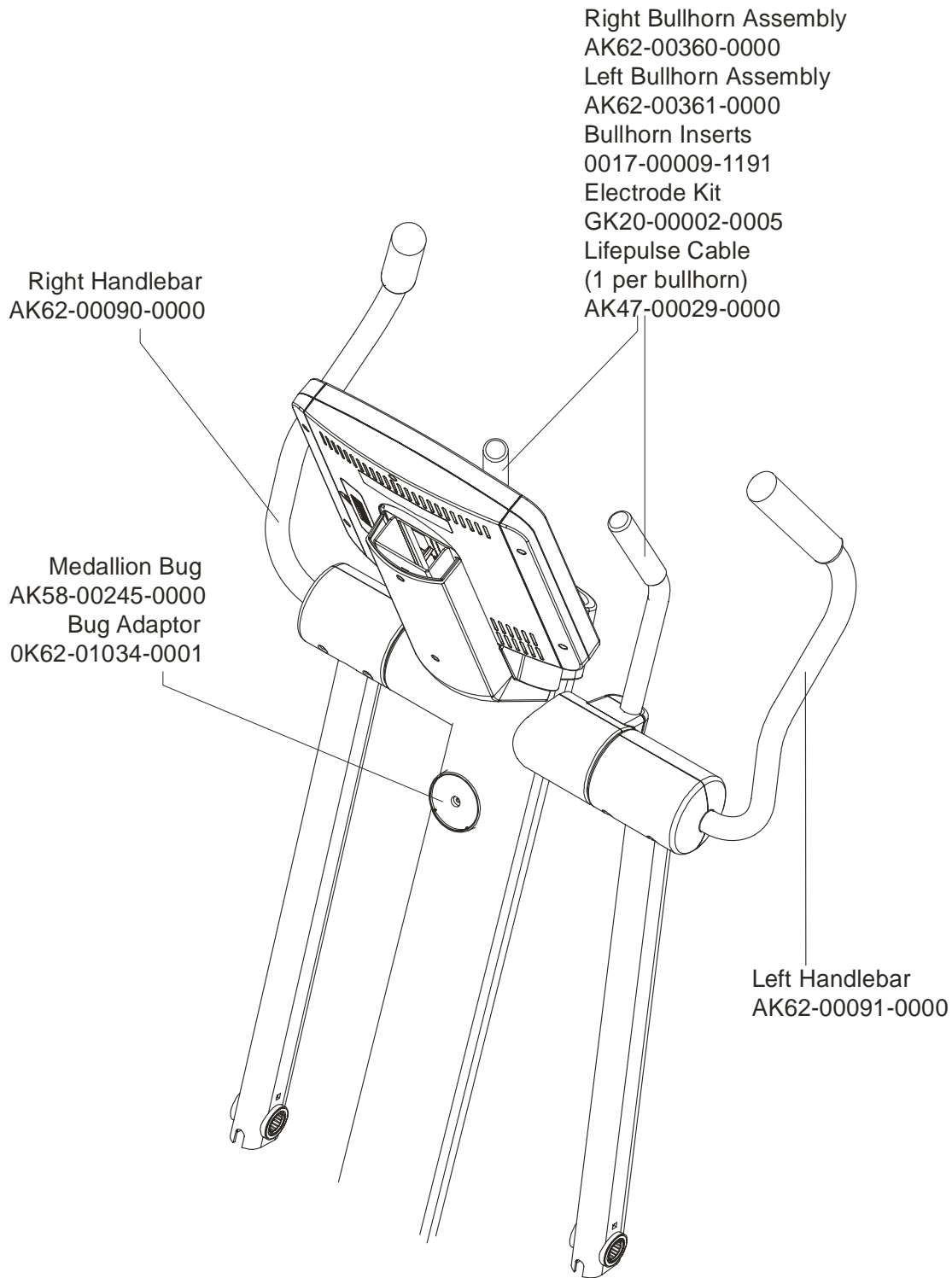
Right Inside
Deadshaft Cover
0K62-01010-0000
Left Inside
Deadshaft Cover
0K62-01011-0000
2-Front Inside
Deadshaft Cover
0K62-01009-0000

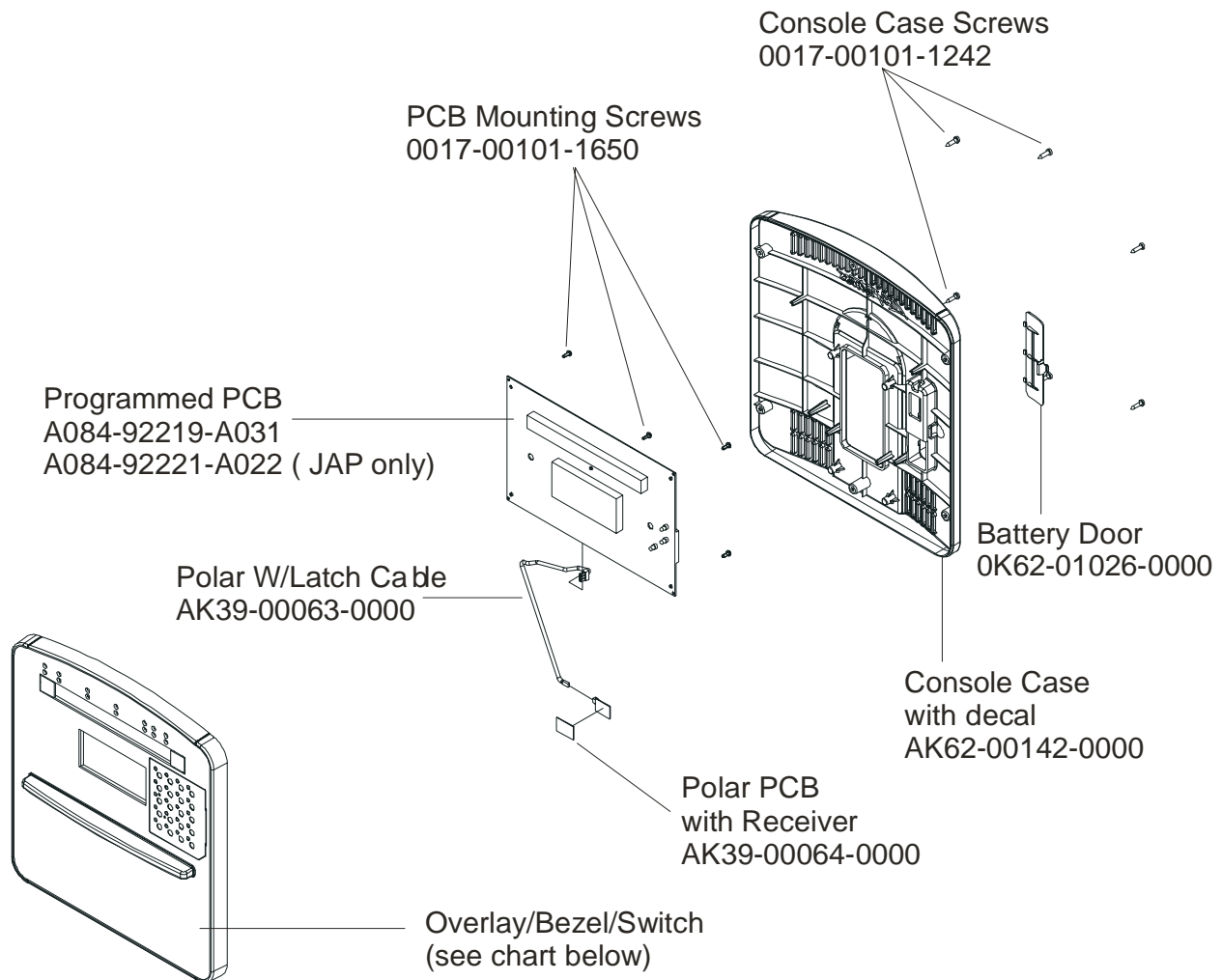
Outside Front
Deadshaft Cover (2)
0K62-01013-0000
Outside Rear
Deadshaft Cover (2)
0K62-01012-0000



ARCTIC SILVER QUIET DRIVE 93X
Handlebars and Bullhorns

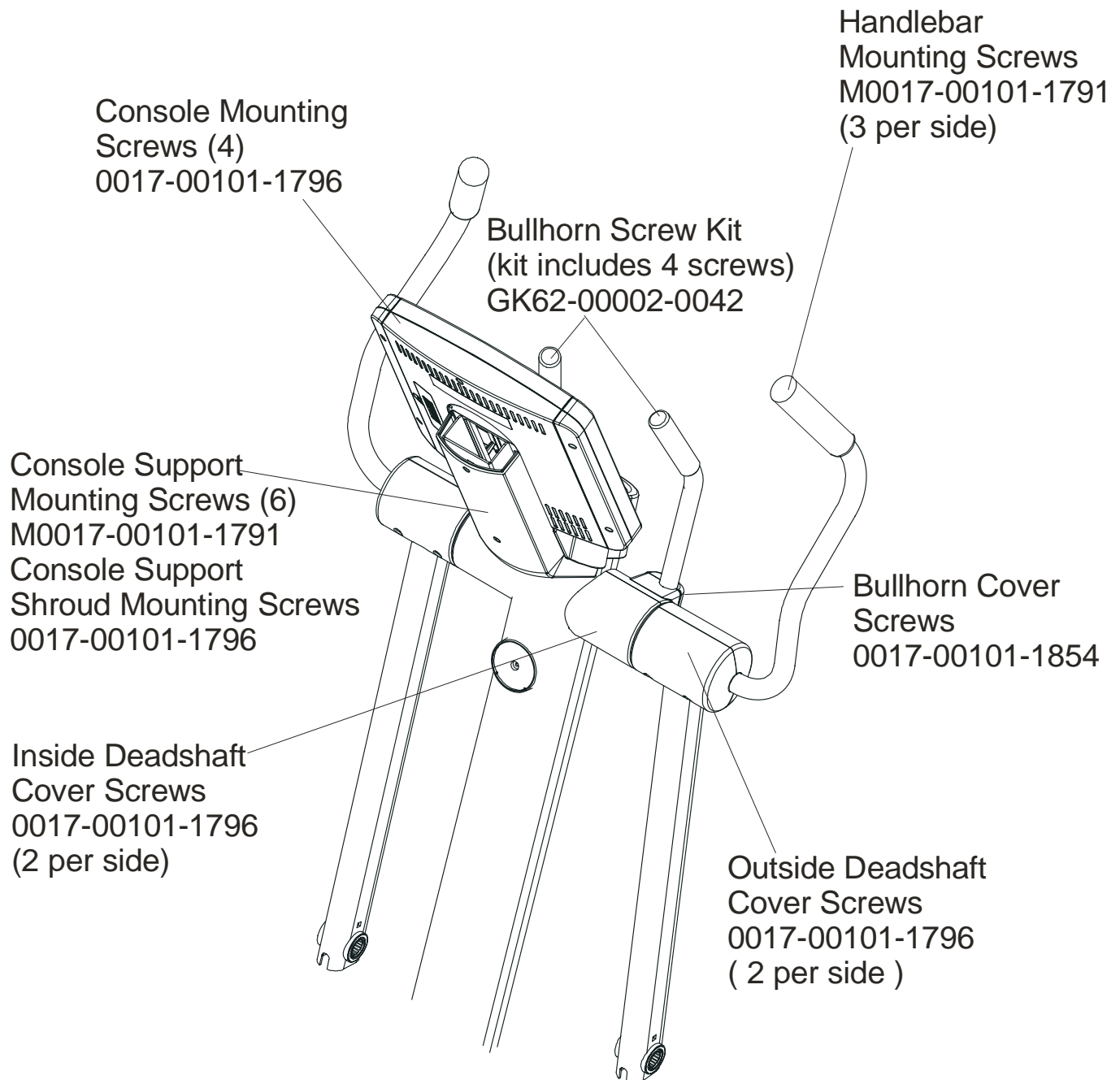
93X-0XXX-04
S/N XWF100000





CONSOLE	OVERLAY/BEZEL/SWITCH	LANGUAGE
AK62-00365-0001	AK62-00190-0001	Eng/Eng
AK62-00365-0002	AK62-00190-0001	Eng+Met
AK62-00365-0003	AK62-00190-0003	Ger/Met
AK62-00365-0004	AK62-00190-0004	Spn/Met
AK62-00365-0006	AK62-00190-0006	Jap/Met
AK62-00365-0007	AK62-00190-0007	Frn/Met
AK62-00365-0008	AK62-00190-0008	Ital/Met
AK62-00365-0009	AK62-00190-0009	Dut/Met
AK62-00365-0010	AK62-00190-0010	Port/Met
AK62-00365-0014	AK62-00190-0001	Turk/Met

Items Not Shown	
Accessory Tray	0K62-01022-0000
Accessory Tray Mounting Screws (2)	0017-00101-1846



ARCTIC SILVER QUIET DRIVE 93X

Rocker Arms & Pedal Levers

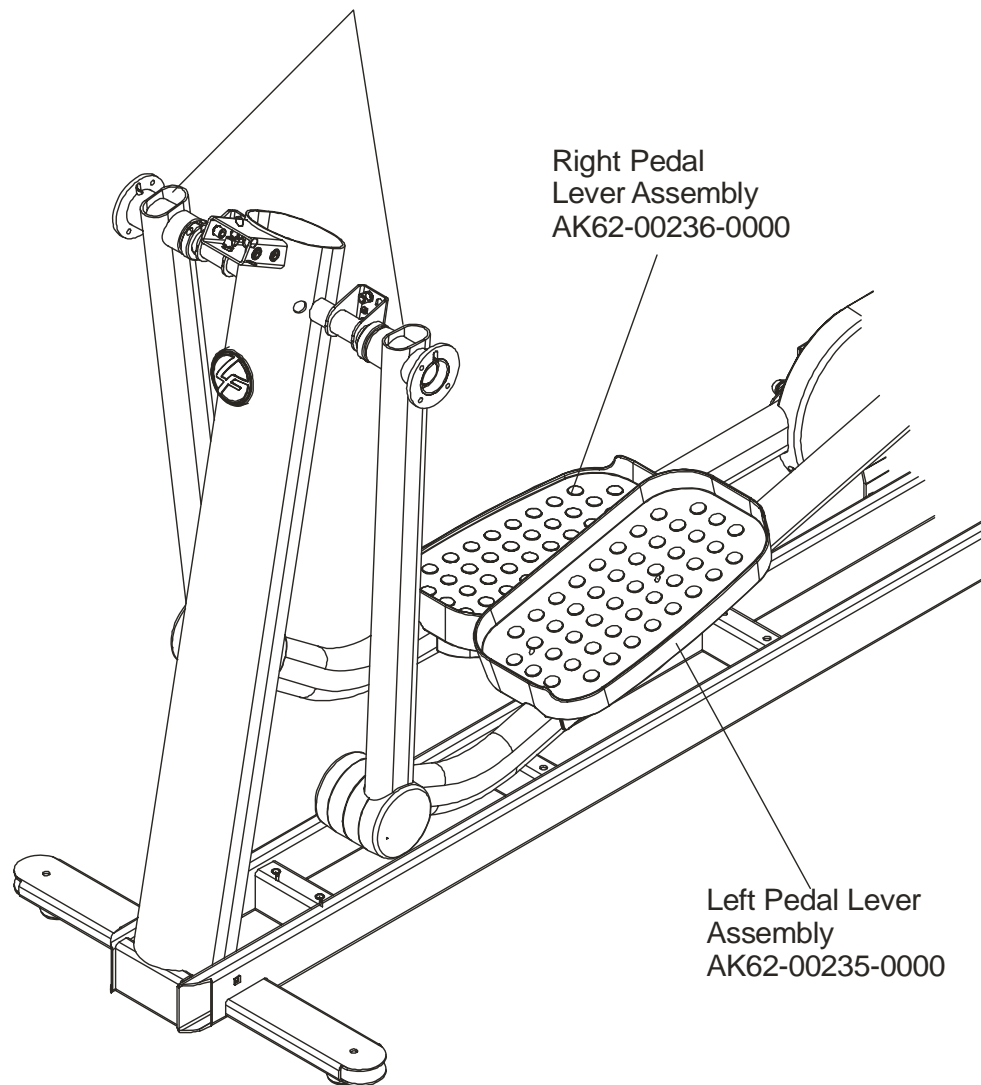
93X-0XXX-04

S/N XWF100000

Rocker Arms Kit
GK62-00002-0070
contents:

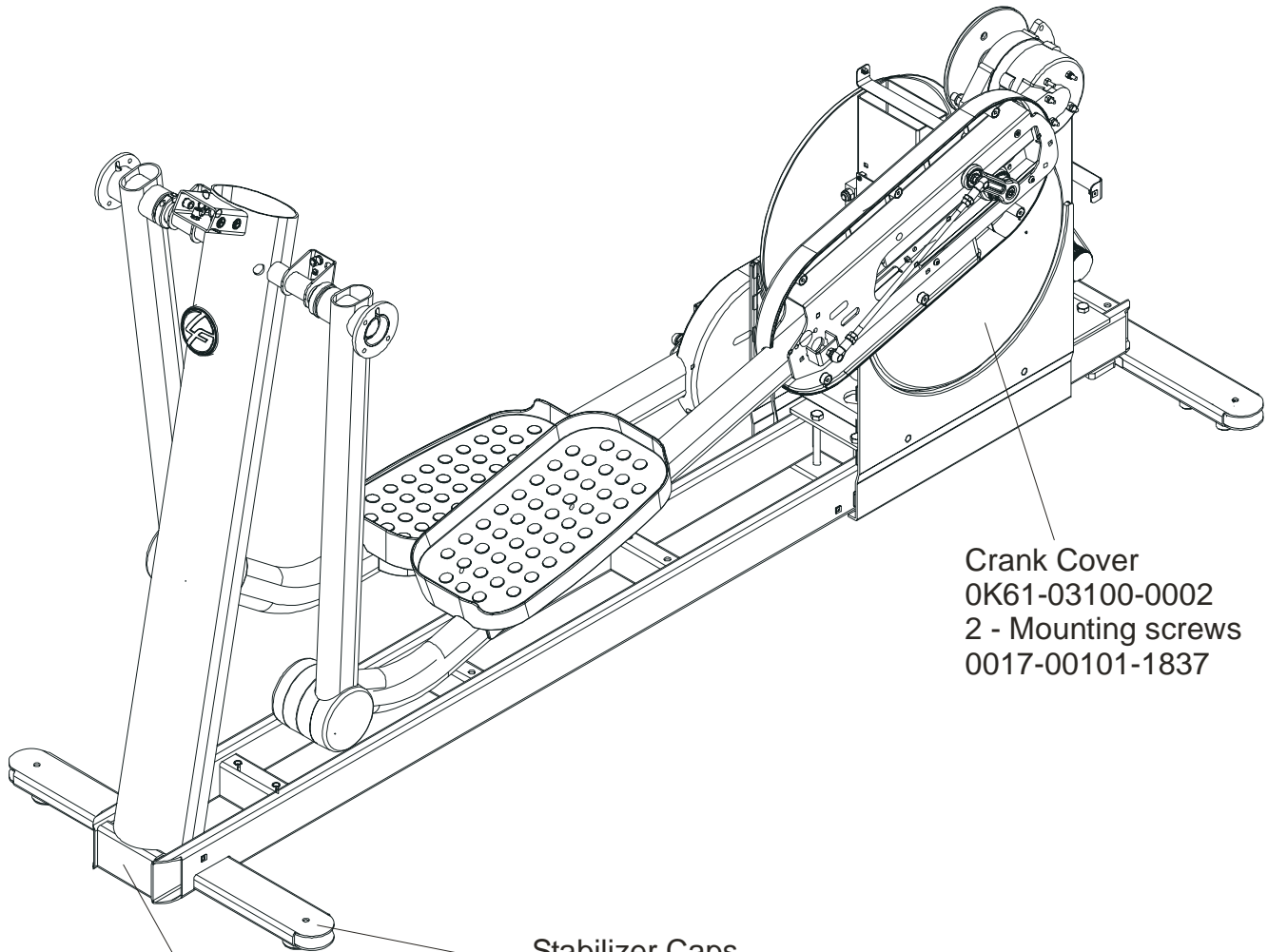
Rocker Arms (2)
Hardened Spacers (2)
Oilite Washers (2)
Retaining Rings (2)
Loctite 620
Alcohol pad

Rocker Arms
AK62-00062-0001
Shaft Collar w/Screws
0K61-01259-0000



ARCTIC SILVER QUIET DRIVE 93X
Crank Cover and Lower Caps

93X-0XXX-04
S/N XWF100000



Crank Cover
OK61-03100-0002
2 - Mounting screws
0017-00101-1837

Stabilizer Caps
4 - OK62-01003-0000

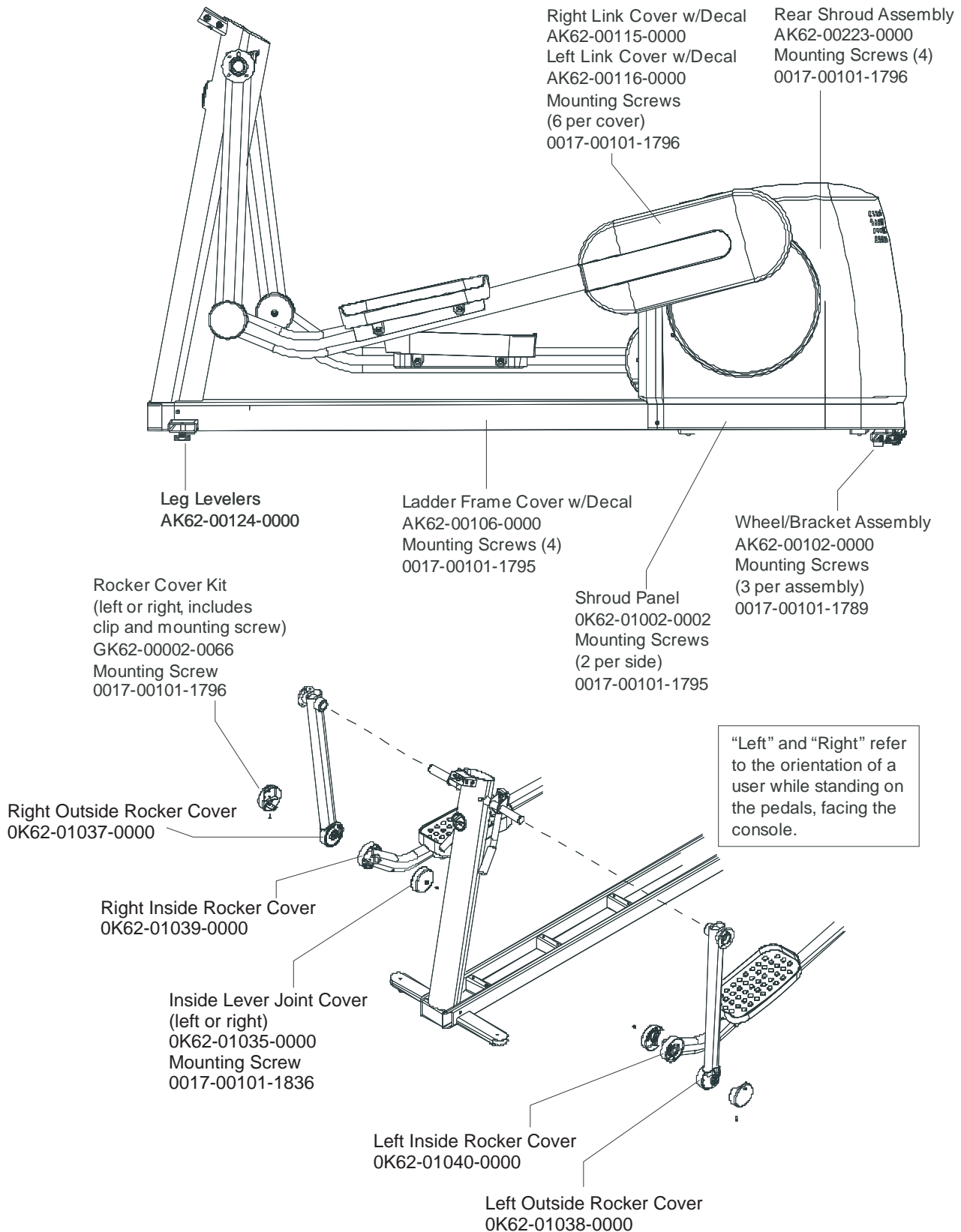
Front frame Cap
OK62-01004-0000
Mounting Screws
(Located on front sides of Ladder Frame Cover)
2- 0017-00101-1795

ARCTIC SILVER QUIET DRIVE 93X

Lower Frame Shrouds & Hardware

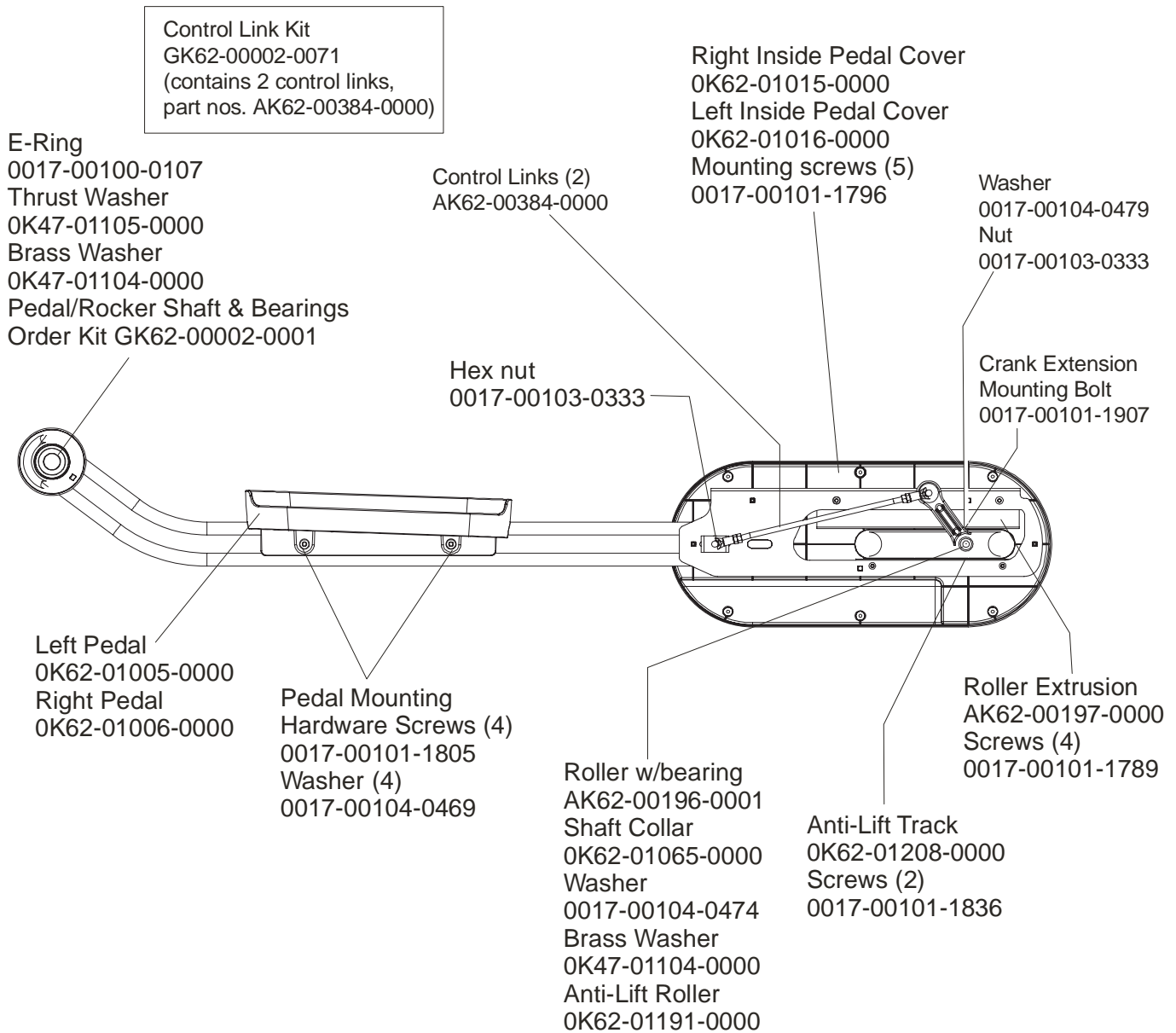
93X-0XXX-04

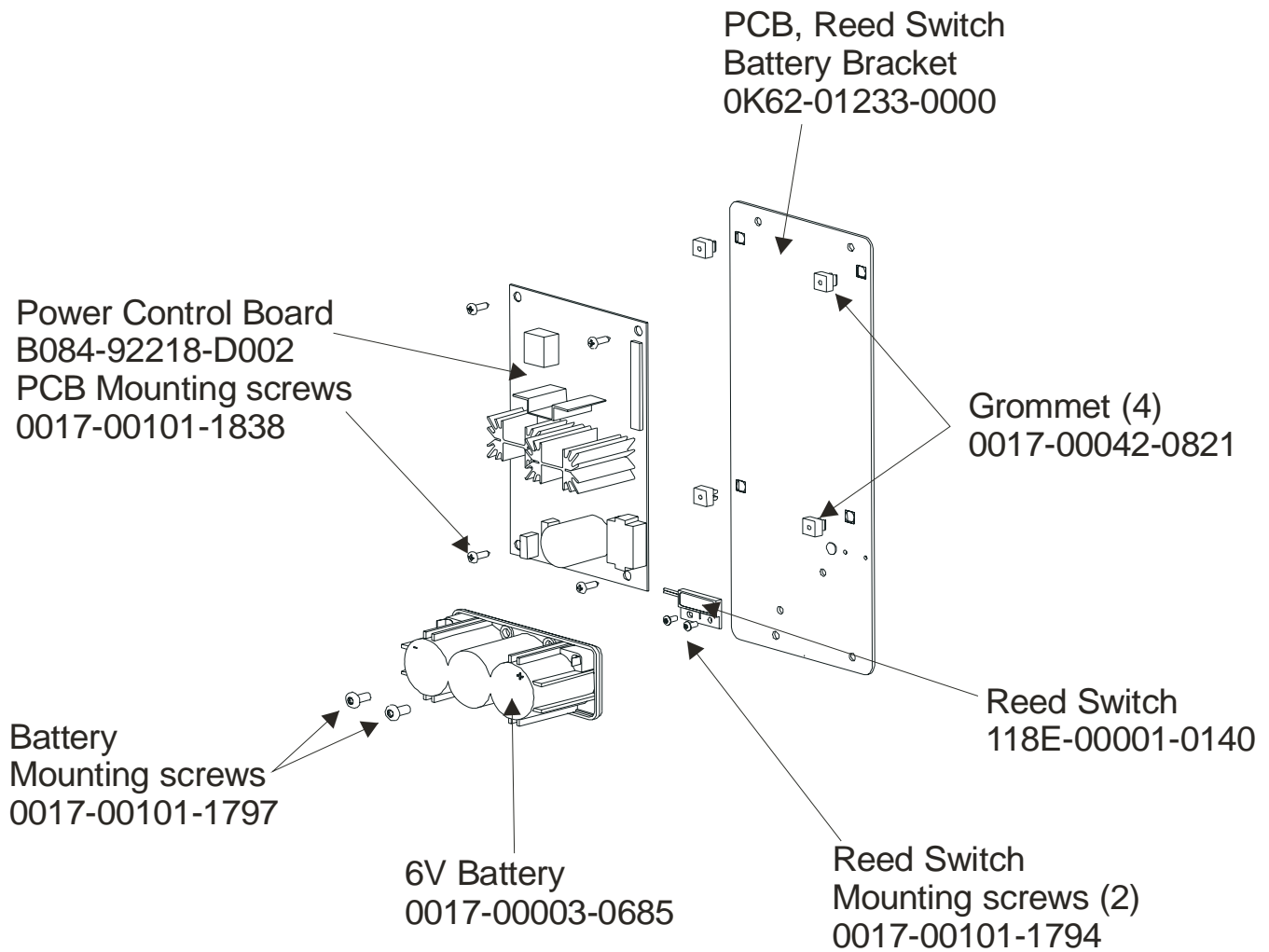
S/N XWF100000



ARCTIC SILVER QUIET DRIVE 93X
Pedal Lever Assembly Components

93X-0XXX-04
S/N XWF100000





This assembly is used 4 times on the drive module assembly.

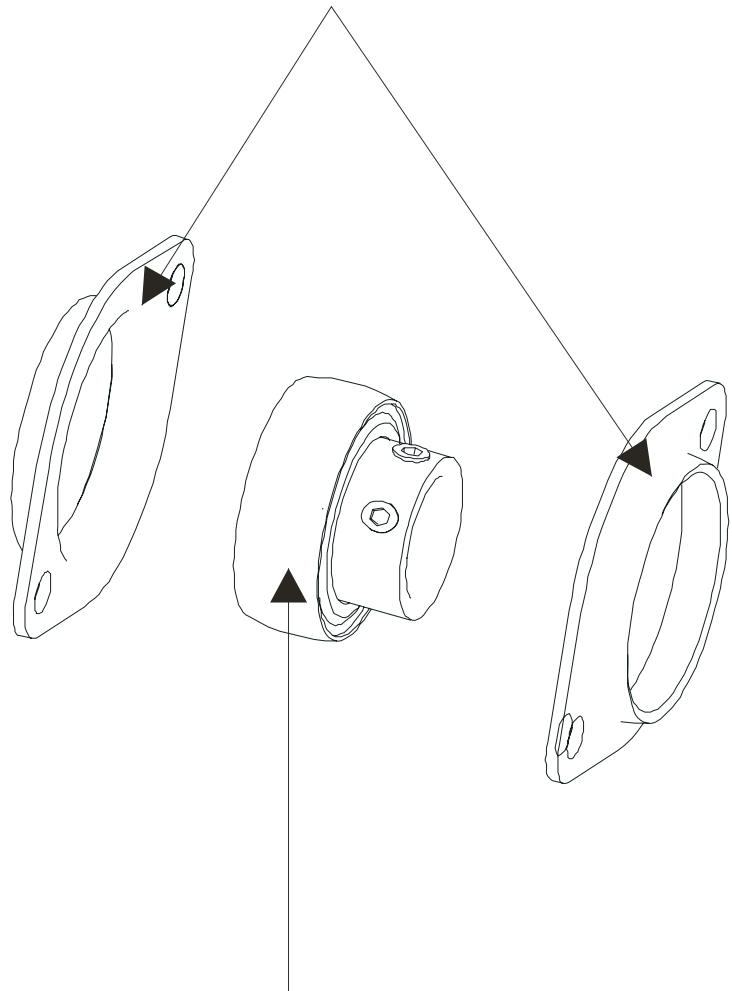
Service Kit-
GK62-00002-0044
Includes:

- 1 - crankshaft
- 2 - bearings
- 2 - sets of bearing flanges
- 4 - weldnuts and flat washers
- 4 - bolts

Service Kit- GK62-00002-0045
Includes:

- 1 - intermediate shaft
- 2 - bearings
- 2 - sets of bearing flanges
- 4 - weldnuts and flat washers
- 4 - bolts

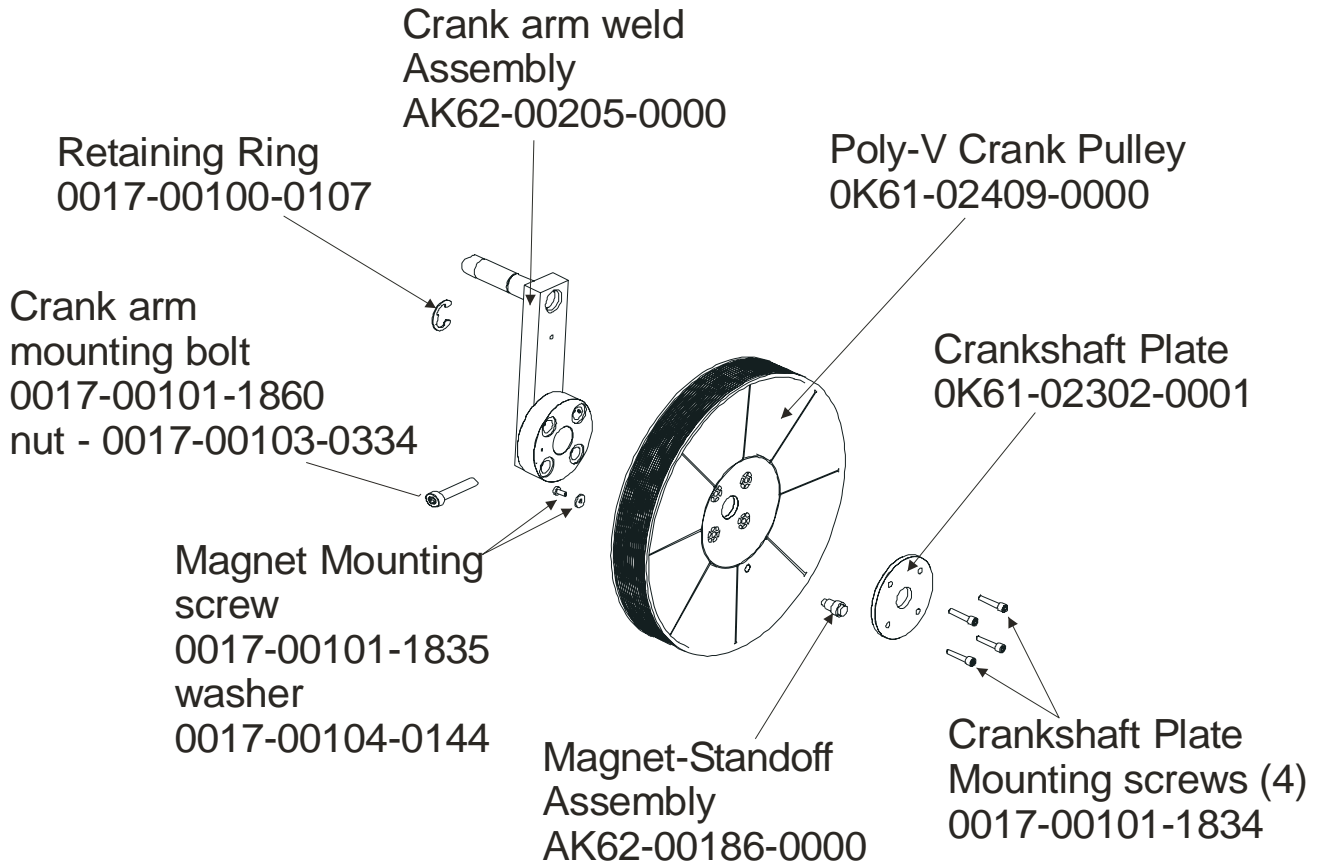
Bearing Flanges (2)
0K62-01220-0000

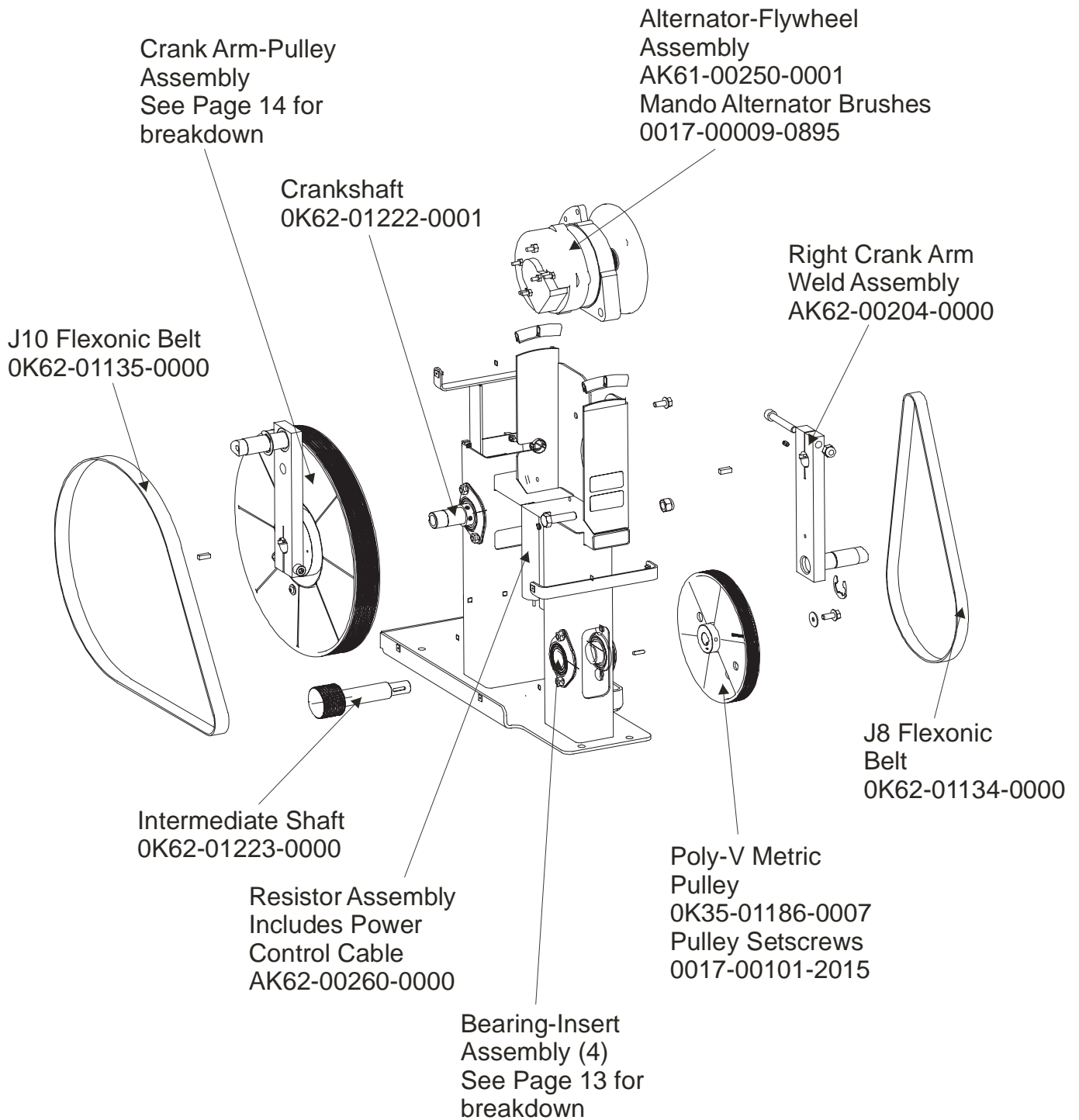


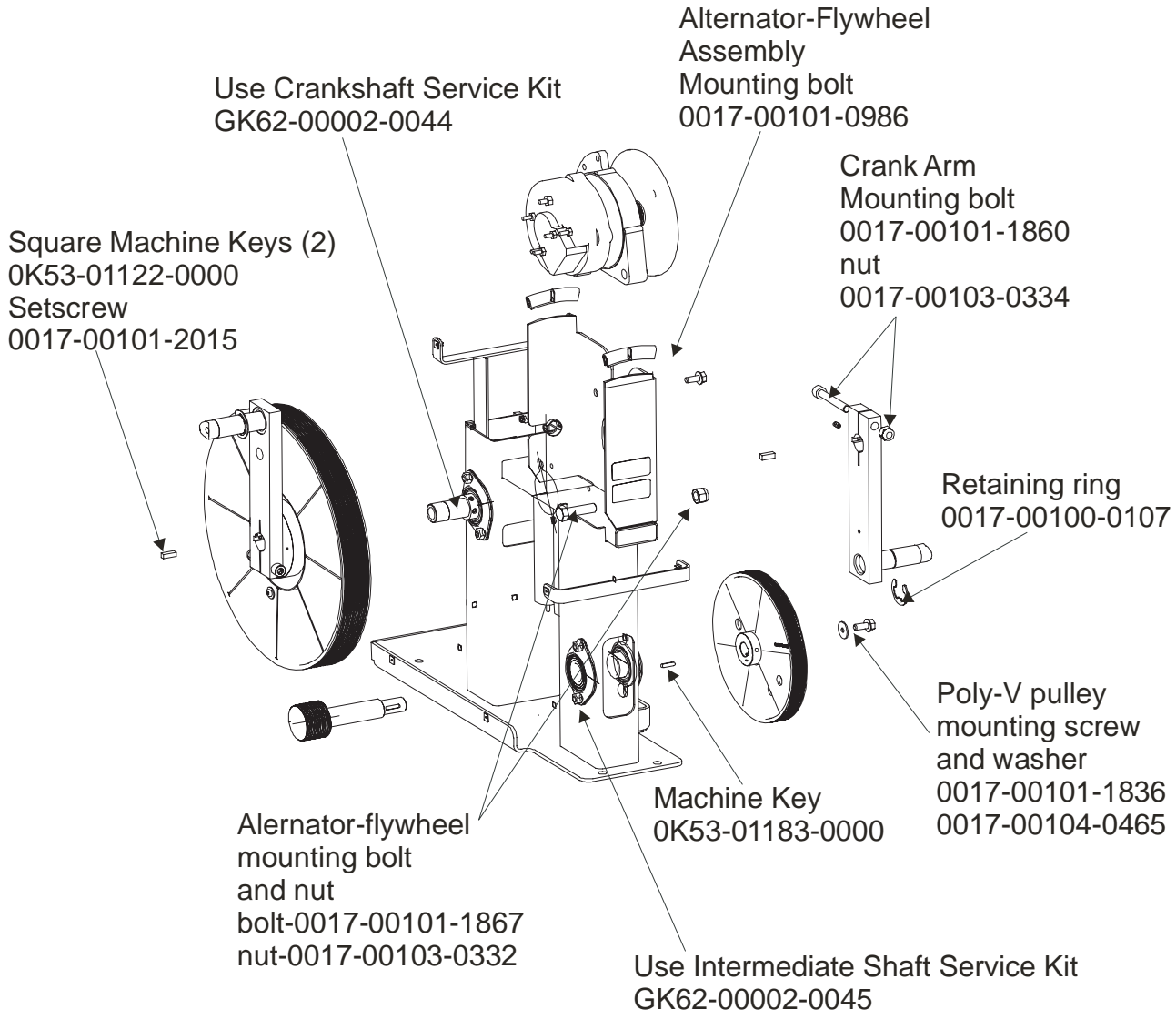
1" Bearing
0K62-01221-0000

ARCTIC SILVER QUIET DRIVE 93X
Crank arm-pulley Assembly

93X-0XXX-04
S/N XWF100000



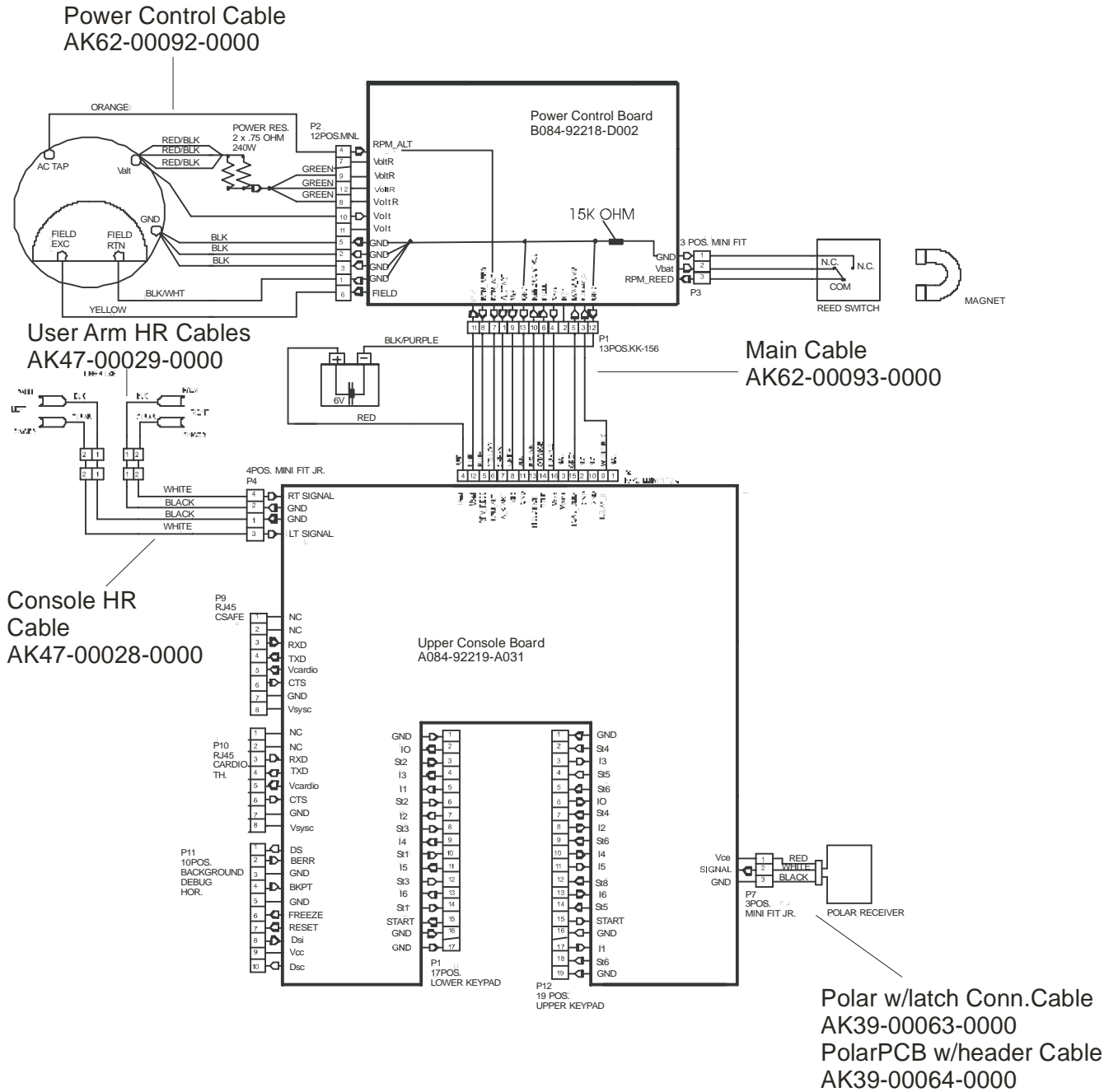




ARCTIC SILVER QUIET DRIVE 93X

Cables

93X-0XXX-04
S/N XWF100000



Free Manuals Download Website

<http://myh66.com>

<http://usermanuals.us>

<http://www.somanuals.com>

<http://www.4manuals.cc>

<http://www.manual-lib.com>

<http://www.404manual.com>

<http://www.luxmanual.com>

<http://aubethermostatmanual.com>

Golf course search by state

<http://golfingnear.com>

Email search by domain

<http://emailbydomain.com>

Auto manuals search

<http://auto.somanuals.com>

TV manuals search

<http://tv.somanuals.com>