

Elevation Series Recumbent Bike

(95R-ALLxx-xx, 95R-IFlxx-xx, PCSR-ALLxx-xx)

Parts Manual

01.02.2011



LifeFitness
WHAT WE LIVE FOR

Table of Contents

Miscellaneous	2
Miscellaneous Part Numbers	2
Console Assembly	3
Consoles	3
Drive System	4
Pedals and Cranks	4
Idler Assembly	5
Pulley and Belt	6
Base Frame Electronics	7
Generator and GBC Assembly	7
Cables	8
Lower Frame	10
Front Stabilizer, Leg Leveler and Components	10
Battery and Power Pack Assembly	11
Seat Assembly	13
Optional Recumbent Arm Rests	13
Seat Pad and Back Pad	15
Extrusion Assembly	16
Carriage Assembly	17
Upper Frame	19
Monocolumn Assembly	19
Shrouds	20
Heart Rate System	22
Seat Handle Components	22

Miscellaneous

Miscellaneous Part Numbers

Item	Alpha Code(s)	Part Number	Description
MISC-001	ARL, CLQ, PIR, PIN, APR, ACR	0KCD-02001-0000	Operation Manual, CD (Eng) (Available Online)
MISC-002	ARL, CLQ, PIR, PIN, APR, ACR	0017-00003-1037	+36V Power Supply (Standard For Units Equipped With K16 LCD Consoles, Optional For 7" LCD Consoles)
MISC-003	ARL, CLQ, PIR, PIN, APR, ACR	0017-00003-0704	Line Cord 10A, 125 V
MISC-003	ARL, CLQ, PIR, PIN, APR, ACR	0017-00003-0691	Line Cord Cont 10A, 250 V
MISC-003	ARL, CLQ, PIR, PIN, APR, ACR	0017-00003-0889	Line Cord Cont U.K. 10A
MISC-003	ARL, CLQ, PIR, PIN, APR, ACR	0017-00003-0918	Line Cord Cont Australia
MISC-003	ARL, CLQ, PIR, PIN, APR, ACR	0017-00003-1012	Line Cord China 10A, 250 V
MISC-004	ARL, CLQ, PIR, PIN, APR, ACR	0017-00008-0204	Arctic Silver Touch Up Paint: Spray Can
MISC-005	ARL, CLQ, PIR, PIN, APR, ACR	0017-00008-0205	Arctic Silver Touch Up Paint: .5 Oz Bottle W/ Applicator
MISC-006	ARL, CLQ, PIR, PIN, APR, ACR	0017-00008-0206	Arctic Silver Touch Up Paint: .33 Oz Pen
MISC-007	ARL, CLQ, PIR, PIN, APR, ACR	AK66-00036-0000	Bracket Assembly: Power/Coax Input Assembly
MISC-008	ARL, CLQ, PIR, PIN, APR, ACR	0K66-01063-0000	Power Coax Bracket
MISC-009	ARL, CLQ, PIR, PIN, APR, ACR	0017-00021-2846	F-type Panel Connector
MISC-010	ARL, CLQ, PIR, PIN, APR, ACR	0017-00021-2847	Phone Jack Receptacle
MISC-011	ARL, CLQ, PIR, PIN, APR, ACR	AK66-00079-0000	Hardware Bag
MISC-012	ARL, CLQ, PIR, PIN, APR, ACR	LCBT-DOMLX-01	Optional For Units Equipped W/ 7" LCD Or LED Consoles: Domestic Power Kit (Power Supply W/ Cord)
MISC-012	ARL, CLQ, PIR, PIN, APR, ACR	LCBT-INTHX-01	Optional For Units Equipped W/ 7" LCD Or LED Consoles: International Power Kit (Power Supply W/ Various Cords)



Throughout this document, Assemblies are displayed with a Rectangle

Console Assembly

Consoles



CN-001, CN-002



CN-007, CN-008,
CN-009



CN-003, CN-004,
CN-005, CN-006

Parts List

Item	Alpha Code(s)	Part Number	Description
CN-001	ARL, CLQ, PIR, PIN, APR, ACR	07-DN-ALLXX-01	7-in LCD Bike/CT Console
CN-002	ARL, CLQ, PIR, PIN, APR, ACR	07DN-ALLXX-01R	7-in LCD Bike/CT Console (Refurbished)
CN-003	ARL, CLQ, PIR, PIN, APR, ACR	15DN-ALLXN-01	15-in LCD Bike/CT Console - NTSC
CN-004	ARL, CLQ, PIR, PIN, APR, ACR	15DN-ALLXN-01R	15-in LCD Bike/CT Console - NTSC (Refurbished)
CN-005	ARL, CLQ, PIR, PIN, APR, ACR	15DN-ALLXP-01	15-in LCD Bike/CT Console - PAL
CN-006	ARL, CLQ, PIR, PIN, APR, ACR	15DN-ALLXP-01R	15-in LCD Bike/CT Console - PAL (Refurbished)
CN-007	ARL, CLQ, PIR, PIN, APR, ACR	LEDN-DOMXX-01	LED Bike/CT Console - Domestic
CN-008	ARL, CLQ, PIR, PIN, APR, ACR	LEDN-INTXX-01	LED Bike/CT Console - International
CN-009	ARL, CLQ, PIR, PIN, APR, ACR	LEDN-IFIXX-01	LED Bike/CT Console - International IFI

Drive System

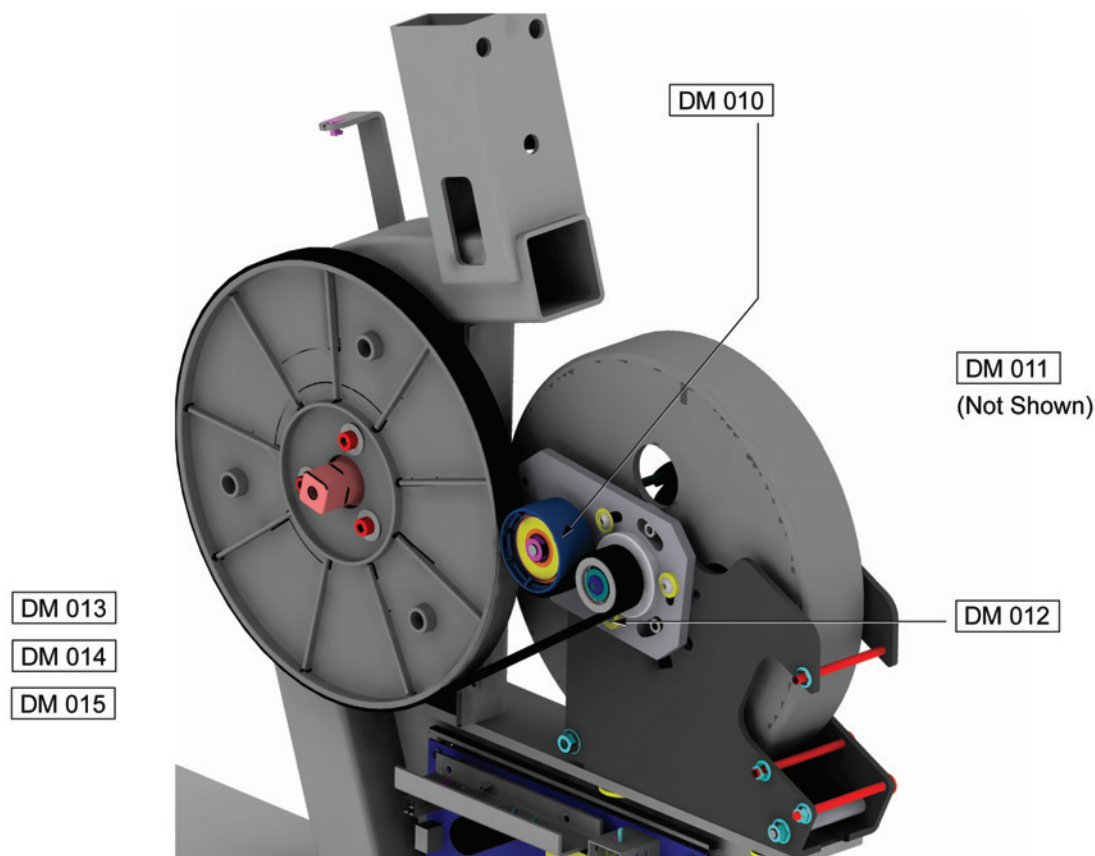
Pedals and Cranks



Part Numbers

Item	Alpha Code(s)	Part Number	Description
DM-001	ARL, CLQ, PIR, PIN, APR, ACR	0K66-01006-0107	Right Crank Arm
DM-002	ARL, CLQ, PIR, PIN, APR, ACR	0K66-01006-0108	Left Crank Arm
DM-003	ARL, CLQ, PIR, PIN, APR, ACR	AK66-00047-0001	Right Pedal W/ Strap Assembly
DM-004	ARL, CLQ, PIR, PIN, APR, ACR	AK66-00048-0001	Left Pedal W/ Strap Assembly
DM-005	PIR, PIN	AK66-00092-0001	Right Pedal Assembly W/ Strap For IFI (International Fitness Initiative)
DM-006	PIR, PIN	AK66-00093-0001	Left Pedal Assembly W/ Strap For IFI (International Fitness Initiative)
DM-007	ARL, CLQ, PIR, PIN, APR, ACR	0K66-01096-0000	Crank Connector Plate
DM-008	ARL, CLQ, PIR, PIN, APR, ACR	0K66-01121-0000	Crank Cap
DM-009	ARL, CLQ, PIR, PIN, APR, ACR	0017-00101-2043	Crank Screw

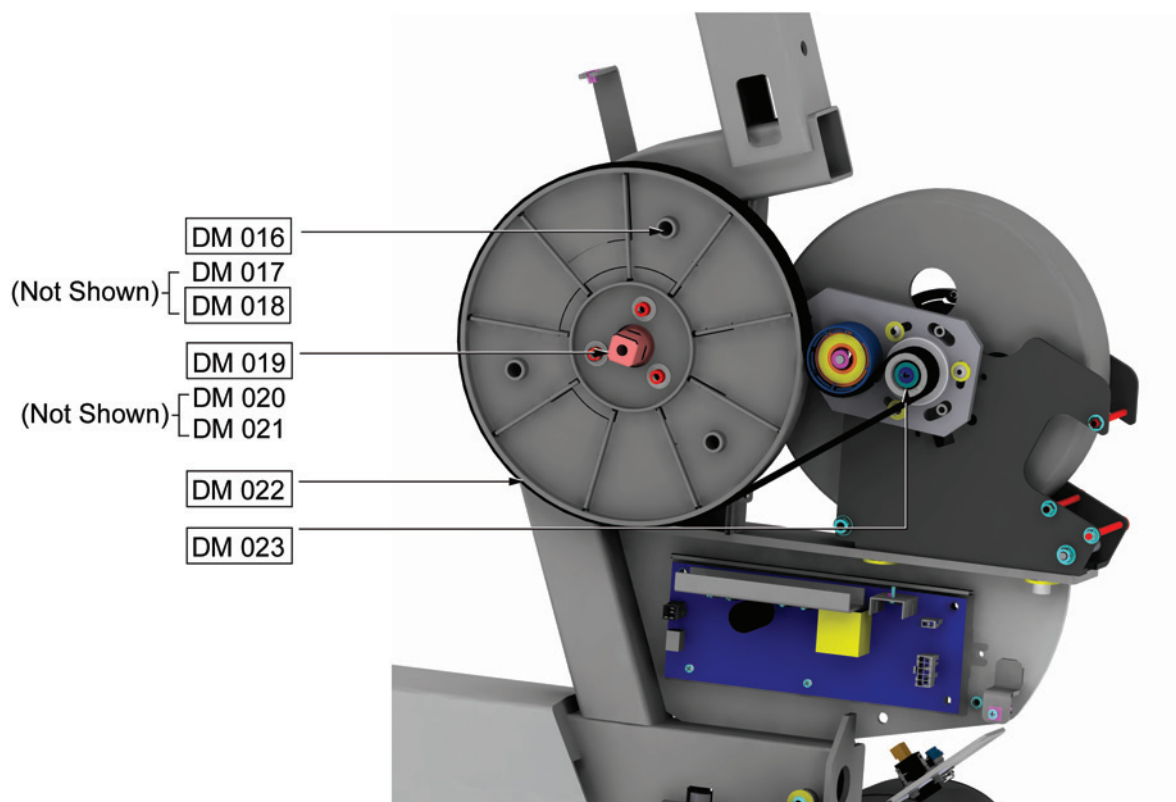
Idler Assembly



Part Numbers

Item	Alpha Code(s)	Part Number	Description
DM-010	ARL, CLQ, PIR, PIN, APR, ACR	AK66-00067-0000	Idler Assembly
DM-011	ARL, CLQ, PIR, PIN, APR, ACR	0K66-01092-0000	Idler Spring
DM-012	ARL, CLQ, PIR, PIN, APR, ACR	0017-00101-1894	Idler Mounting Screw
DM-013	ARL, CLQ, PIR, PIN, APR, ACR	AK66-00122-0000	Idler Bracket
DM-014	ARL, CLQ, PIR, PIN, APR, ACR	AK66-00066-0000	Idler Bearing
DM-015	ARL, CLQ, PIR, PIN, APR, ACR	0017-00103-0338	Nut

Pulley and Belt



Part Numbers

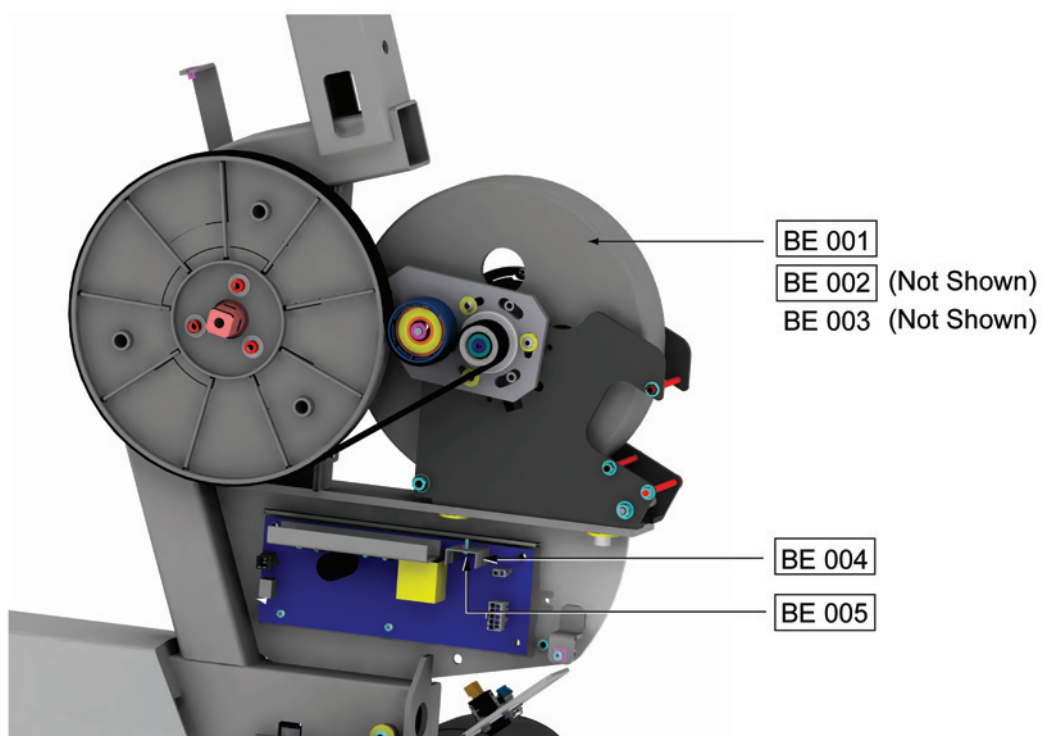
Item	Alpha Code(s)	Part Number	Description
DM-016	ARL, CLQ, PIR, PIN, APR, ACR	0K66-01005-0000	Crank Pulley
DM-017	ARL, CLQ, PIR, PIN, APR, ACR	0017-00101-1891	Pad Mounting Screw
DM-018	ARL, CLQ, PIR, PIN, APR, ACR	0017-00101-1891	Pad Mounting Screw
DM-019	ARL, CLQ, PIR, PIN, APR, ACR	AK66-00003-0001	Crank-hub/ Bearing/ Shaft Assembly
DM-020	ARL, CLQ, PIR, PIN, APR, ACR	0017-00101-1881	Stabilizer Mounting Screw
DM-021	ARL, CLQ, PIR, PIN, APR, ACR	0017-00104-0469	Washer
DM-022	ARL, CLQ, PIR, PIN, APR, ACR	0017-00009-0837	Poly -V Drive Belt
DM-023	ARL, CLQ, PIR, PIN, APR, ACR	AK66-00139-0000	Clutch & Pulley Assembly



When ordering DM-001 or DM-002, please make sure to also order DM-007

Base Frame Electronics

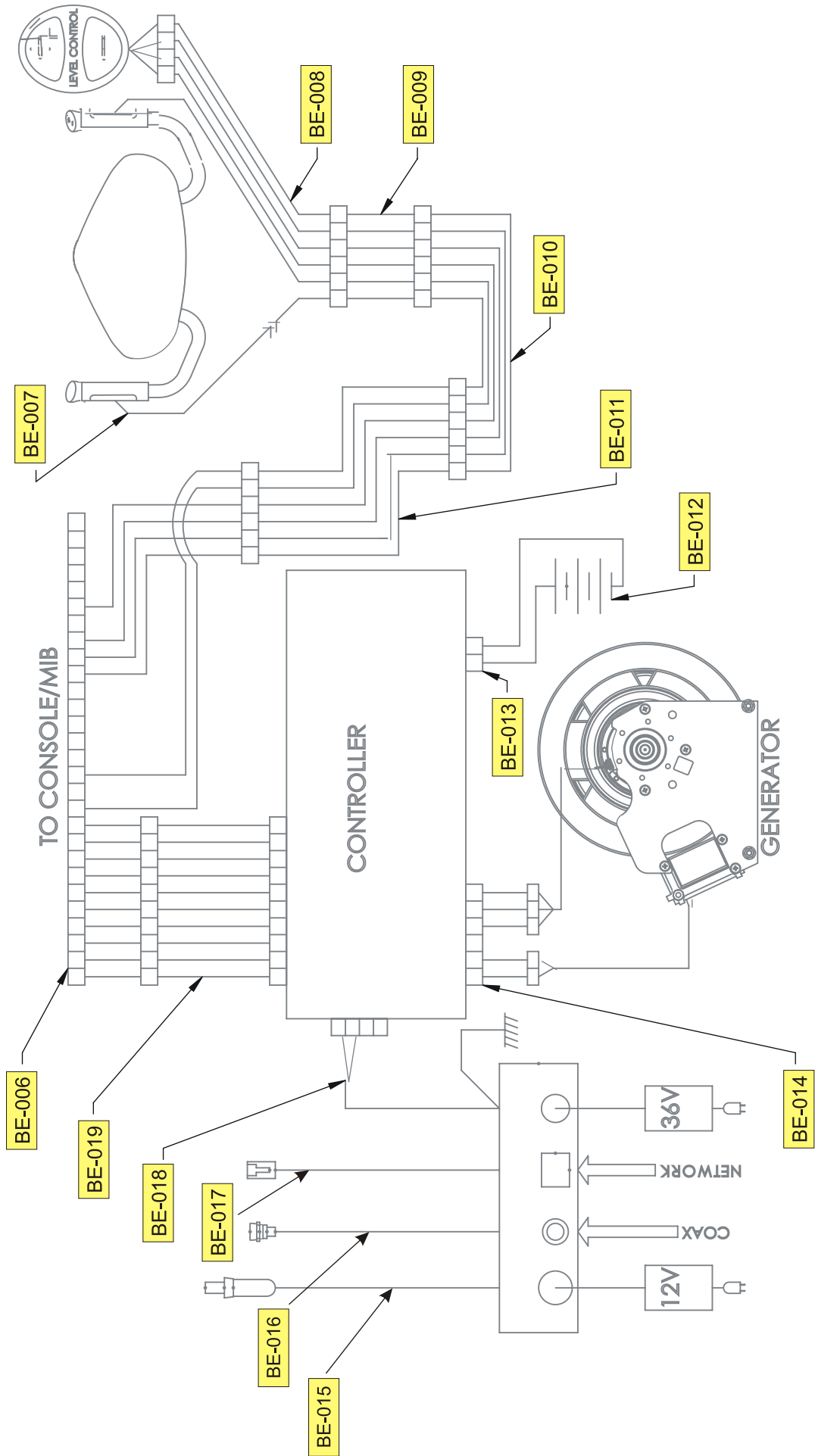
Generator and GBC Assembly



Part Numbers

Item	Alpha Code(s)	Part Number	Description
BE-001	ARL, CLQ, PIR, PIN, APR, ACR	AK66-00140-0000	Generator /Brake Assembly With Pulley And Clutch
BE-002	ARL, CLQ, PIR, PIN, APR, ACR	0017-00101-1920	Mounting Screw
BE-003	ARL, CLQ, PIR, PIN, APR, ACR	0017-00104-0479	Washer
BE-004	ARL, CLQ, PIR, PIN, APR, ACR	AK66-00100-0002	Power Gbc And Bracket Assembly With Software
BE-005	ARL, CLQ, PIR, PIN, APR, ACR	0017-00101-1986	Mounting Screw

Cables

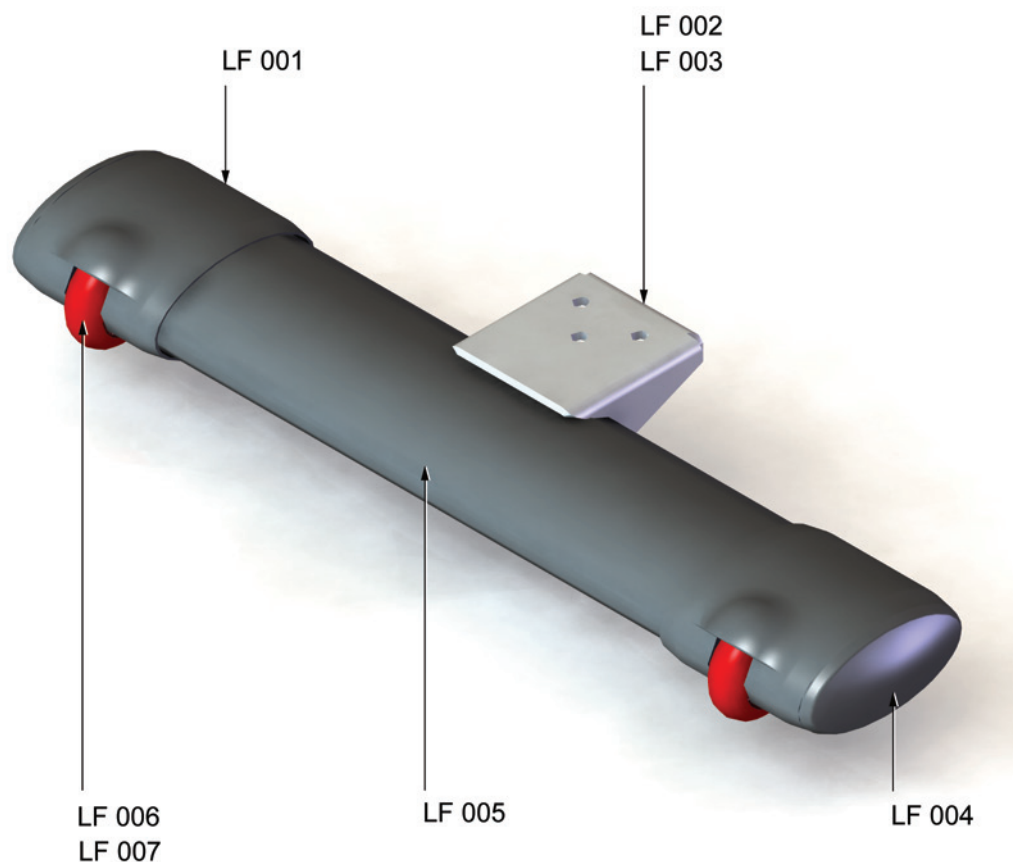


Part Numbers

Item	Alpha Code(s)	Part Number	Description
BE-006	ARL, CLQ, PIR, PIN, APR, ACR	AK66-00105-0000	Console/Handlebar Cable
BE-007	ARL, CLQ, PIR, PIN, APR, ACR	AK66-00101-0000	Cable Assembly
BE-008	ARL, CLQ, PIR, PIN, APR, ACR	AK66-00102-0000	Cable
BE-009	ARL, CLQ, PIR, PIN, APR, ACR	AK66-00111-0000	Carriage Cable
BE-010	ARL, CLQ, PIR, PIN, APR, ACR	AK66-00103-0000	Flat Flex Cable
BE-011	ARL, CLQ, PIR, PIN, APR, ACR	AK66-00104-0000	Keypad/Life pulse Cable
BE-012	ARL, CLQ, PIR, PIN, APR, ACR	0017-00003-0685	6v Battery
BE-013	ARL, CLQ, PIR, PIN, APR, ACR	AK66-00109-0000	Battery Cable
BE-014	ARL, CLQ, PIR, PIN, APR, ACR	AK66-00107-0000	Gen Brake Cable
BE-015	ARL, CLQ, PIR, PIN, APR, ACR	AK32-00160-0000	Tv Power Cable
BE-016	ARL, CLQ, PIR, PIN, APR, ACR	AK65-00062-0000	Coax Assy: Rg6 Cable
BE-017	ARL, CLQ, PIR, PIN, APR, ACR	AK65-00051-0001	C-safe Network Cable
BE-018	ARL, CLQ, PIR, PIN, APR, ACR	AK67-00108-0000	External Power Cable
BE-019	ARL, CLQ, PIR, PIN, APR, ACR	AK66-00106-0000	Pcb To Console Cable

Lower Frame

Front Stabilizer, Leg Leveler and Components



Part Numbers

Item	Alpha Code(s)	Part Number	Description
LF-001	ARL, CLQ, PIR, PIN, APR, ACR	0K66-01041-0000	Front Stabilizer Shroud
LF-002	ARL, CLQ, PIR, PIN, APR, ACR	0017-00101-1881	Stabilizer Mounting Screw
LF-003	ARL, CLQ, PIR, PIN, APR, ACR	0017-00104-0479	Washer
LF-004	ARL, CLQ, PIR, PIN, APR, ACR	0K66-01042-0000	Painted Stabilizer
LF-005	ARL, CLQ, PIR, PIN, APR, ACR	AK66-00016-0001	Front Stabilizer End Cap
LF-006	ARL, CLQ, PIR, PIN, APR, ACR	0K66-01039-0000	Wheel
LF-007	ARL, CLQ, PIR, PIN, APR, ACR	0K66-01040-0000	Wheel Shaft

Battery and Power Pack Assembly

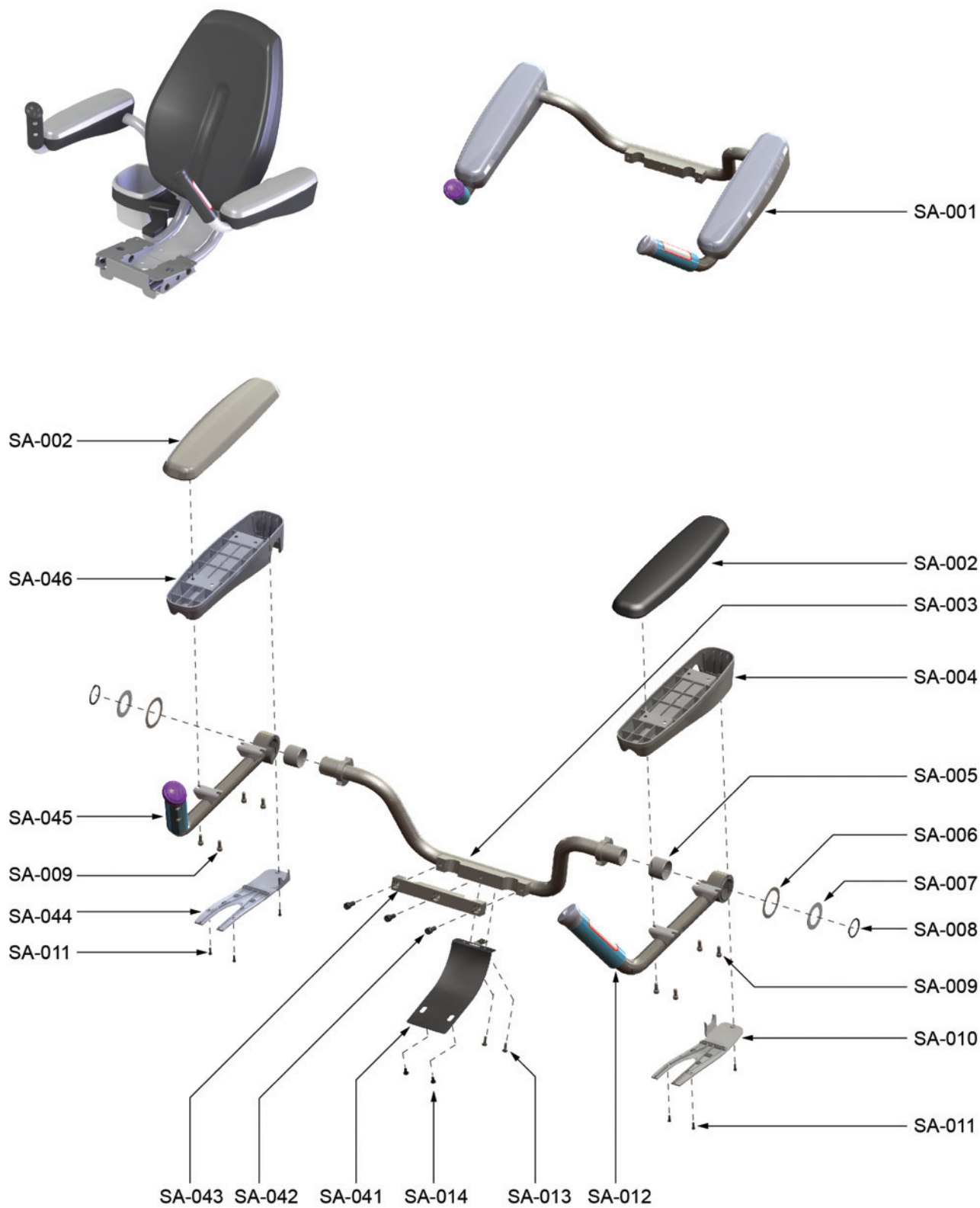


Part Numbers

Item	Alpha Code(s)	Part Number	Description
LF-008	ARL, CLQ, PIR, PIN, APR, ACR	0017-00003-0685	6v Battery
LF-009	ARL, CLQ, PIR, PIN, APR, ACR	0017-00101-1796	Mounting Screw
LF-010	ARL, CLQ, PIR, PIN, APR, ACR	AK66-00036-0000	Brkt Assy: Power/Coax Input Assembly Consists Of 1, 2, 3

Seat Assembly

Optional Recumbent Arm Rests



Part Numbers

Item	Alpha Code(s)	Part Number	Description
SA-001	ARL, CLQ, PIR, PIN, APR, ACR	AK66-00088-0000	Arm Rest Frame Assembly
SA-002	ARL, CLQ, PIR, PIN, APR, ACR	AK66-00084-0000	Arm Rest Pad (2)
SA-003	ARL, CLQ, PIR, PIN, APR, ACR	AK66-00133-0000	Arm Rest Support Weldment
SA-004	ARL, CLQ, PIR, PIN, APR, ACR	0K66-01156-0000	Left Arm Rest Shroud
SA-005	ARL, CLQ, PIR, PIN, APR, ACR	0017-00006-0298	Sleeve Bearing (2 total)
SA-006	ARL, CLQ, PIR, PIN, APR, ACR	0K66-01228-0000	Wave Washer (1 per Arm Rest Assy)
SA-007	ARL, CLQ, PIR, PIN, APR, ACR	0K66-01159-0000	Washer (1 per Arm Rest Assy)
SA-008	ARL, CLQ, PIR, PIN, APR, ACR	0017-00100-0256	Retaining Ring (1 per Arm Rest Assy)
SA-009	ARL, CLQ, PIR, PIN, APR, ACR	0017-00101-1891	Pad Mounting Screw (4 per Arm Rest Pad)
SA-010	ARL, CLQ, PIR, PIN, APR, ACR	0K66-01161-0000	Left Bottom Shroud
SA-011	ARL, CLQ, PIR, PIN, APR, ACR	0017-00101-2012	Shroud Mounting Screw (3 per Shroud)
SA-012	ARL, CLQ, PIR, PIN, APR, ACR	AK66-00089-0001	Arm Rest with Grip Assy - left
SA-013	ARL, CLQ, PIR, PIN, APR, ACR	0017-00101-1972	Bracket Screw (2)
SA-014	ARL, CLQ, PIR, PIN, APR, ACR	0017-00101-2011	Bracket Screw (2)
SA-041	ARL, CLQ, PIR, PIN, APR, ACR	AK66-00137-0000	Bracket And Cable Assembly
SA-042	ARL, CLQ, PIR, PIN, APR, ACR	0017-00101-1881	Arm Rest Support Clamp Mounting Screw (3)
SA-043	ARL, CLQ, PIR, PIN, APR, ACR	0K66-01218-0000	Arm Rest Support Clamp
SA-044	ARL, CLQ, PIR, PIN, APR, ACR	0K66-01162-0000	Right Bottom Shroud
SA-045	ARL, CLQ, PIR, PIN, APR, ACR	AK69-00089-0000	Arm Rest with Grip Assy - right
SA-046	ARL, CLQ, PIR, PIN, APR, ACR	0K66-01165-0000	Right Arm Rest Shroud

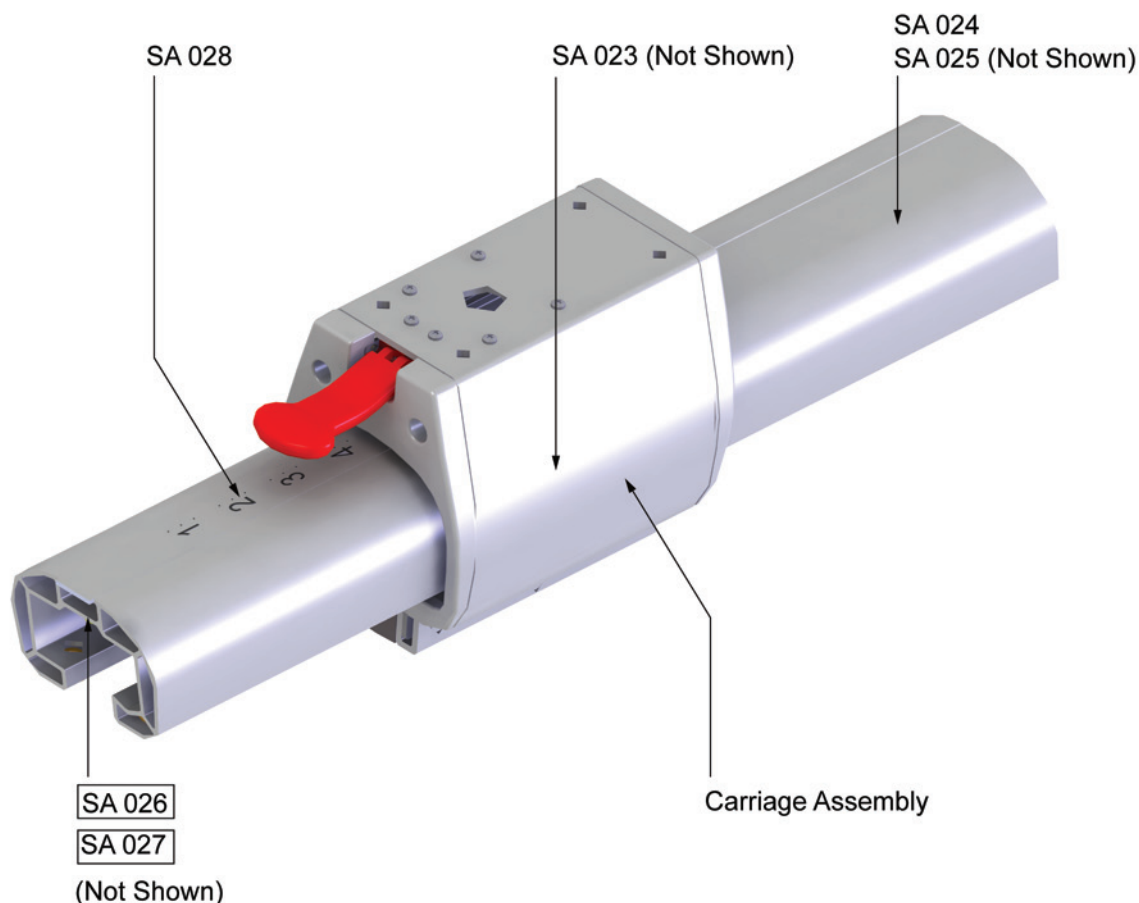
Seat Pad and Back Pad



Part Numbers

Item	Alpha Code(s)	Part Number	Description
SA-015	ARL, CLQ, PIR, PIN, APR, ACR	AK66-00052-0000	Recumbent Seat
SA-016	ARL, CLQ, PIR, PIN, APR, ACR	0017-00101-1881	Stabilizer Mounting Screw
SA-017	ARL, CLQ, PIR, PIN, APR, ACR	AK66-00072-0000	Seat Back
SA-018	ARL, CLQ, PIR, PIN, APR, ACR	0017-00101-2018	Mounting Screw
SA-019	ARL, CLQ, PIR, PIN, APR, ACR	AK62-00124-0000	Leg Levelers
SA-020	ARL, CLQ, PIR, PIN, APR, ACR	0K66-01131-0000	Rear Stabilizer

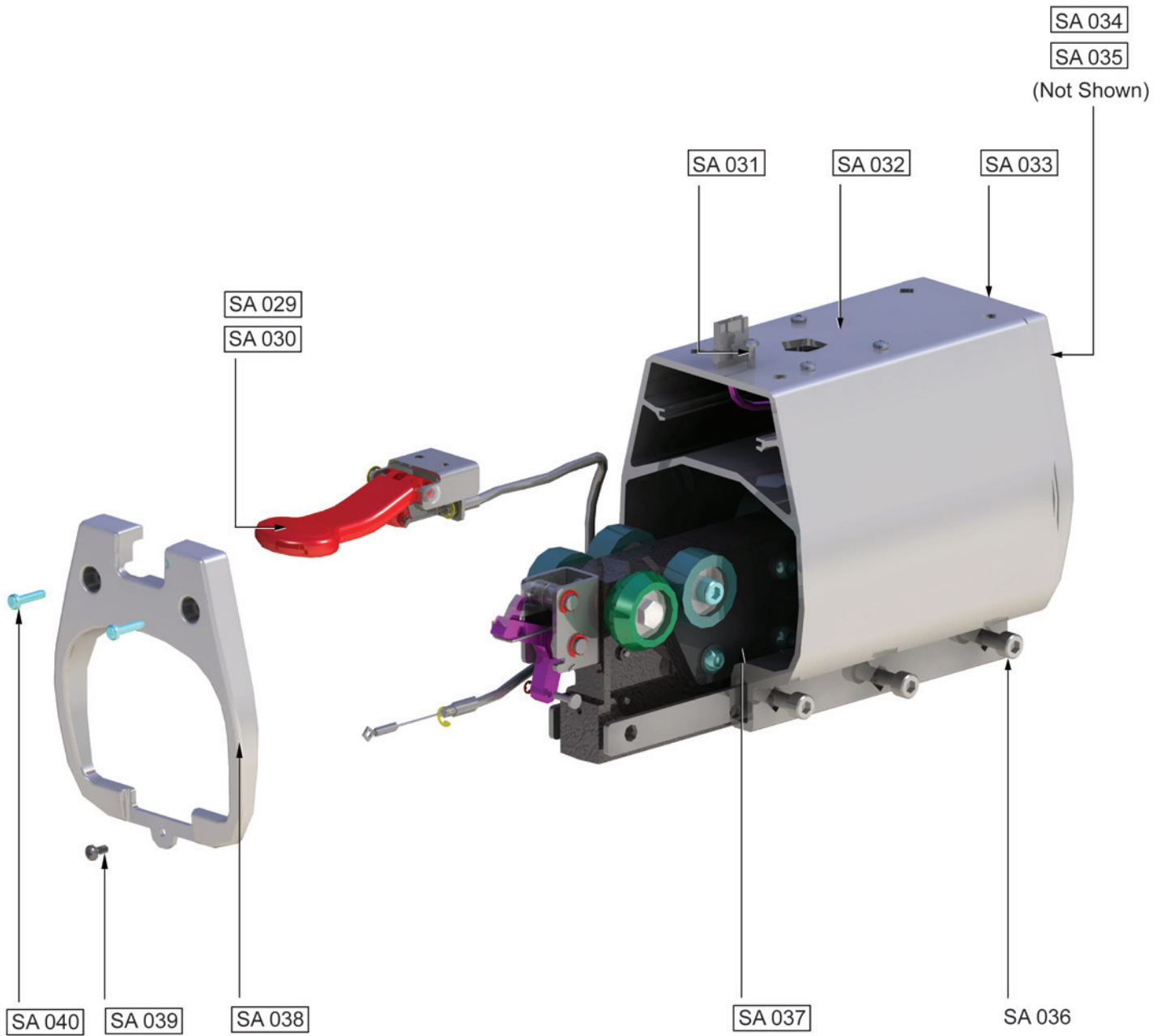
Extrusion Assembly



Part Numbers

Item	Alpha Code(s)	Part Number	Description
SA-021	ARL, CLQ, PIR, PIN, APR, ACR	0017-00101-1882	Stabilizer Mounting Screw
SA-022	ARL, CLQ, PIR, PIN, APR, ACR	0017-00104-0469	Washer
SA-023	ARL, CLQ, PIR, PIN, APR, ACR	0017-00101-1882	Stabilizer Mounting Screw
SA-024	ARL, CLQ, PIR, PIN, APR, ACR	AK66-00031-0000	Extrusion W/ Inserts
SA-025	ARL, CLQ, PIR, PIN, APR, ACR	0017-00104-0469	Washer
SA-026	ARL, CLQ, PIR, PIN, APR, ACR	0K66-01023-0000	Rack
SA-027	ARL, CLQ, PIR, PIN, APR, ACR	0017-00101-1891	Rack Mounting Screw
SA-028	ARL, CLQ, PIR, PIN, APR, ACR	0K66-01061-0000	Decal

Carriage Assembly

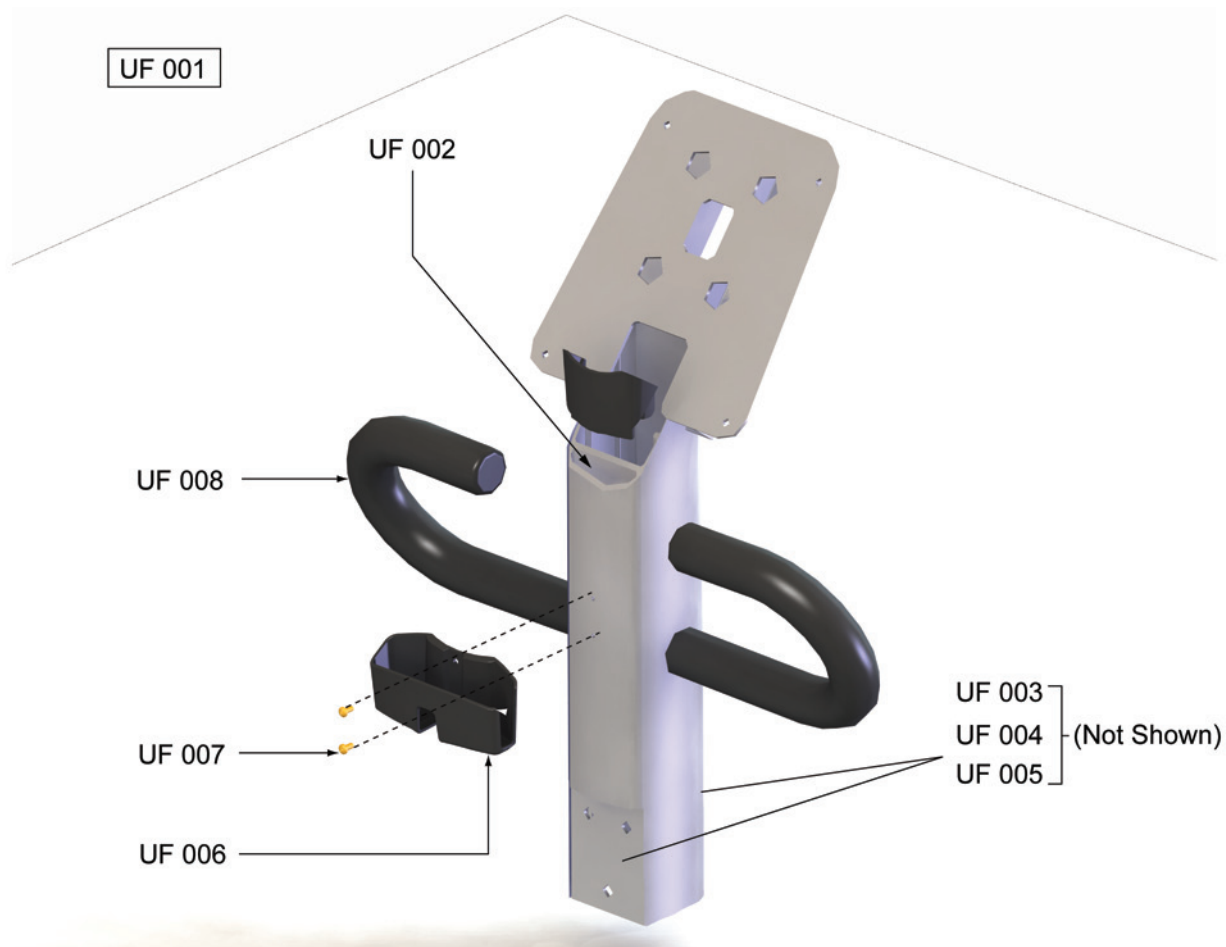


Part Numbers

Item	Alpha Code(s)	Part Number	Description
SA-029	ARL, CLQ, APR, ACR	AK66-00027-0000	Handle Assembly
SA-030	PIR, PIN	AK66-00027-0001	Handle Assembly For LFI
SA-031	ARL, CLQ, PIR, PIN, APR, ACR	0017-00101-1874	Handle Mounting Screw
SA-032	ARL, CLQ, PIR, PIN, APR, ACR	0K66-01028-0000	Seat Carriage
SA-033	ARL, CLQ, PIR, PIN, APR, ACR	AK66-00087-0000	Rear Carriage Cover
SA-034	ARL, CLQ, PIR, PIN, APR, ACR	0017-00101-2009	Rear Cover Mounting Screw
SA-035	ARL, CLQ, PIR, PIN, APR, ACR	0017-00101-0233	Rear Cover Mounting Screw
SA-036	ARL, CLQ, PIR, PIN, APR, ACR	0017-00101-1881	Stabilizer Mounting Screw
SA-037	ARL, CLQ, PIR, PIN, APR, ACR	AK66-00009-0000	Roller Assembly
SA-038	ARL, CLQ, PIR, PIN, APR, ACR	0K66-01034-0000	Front Carriage Cover
SA-039	ARL, CLQ, PIR, PIN, APR, ACR	0017-00101-0233	Rear Cover Mounting Screw
SA-040	ARL, CLQ, PIR, PIN, APR, ACR	0017-00101-2009	Rear Cover Mounting Screw

Upper Frame

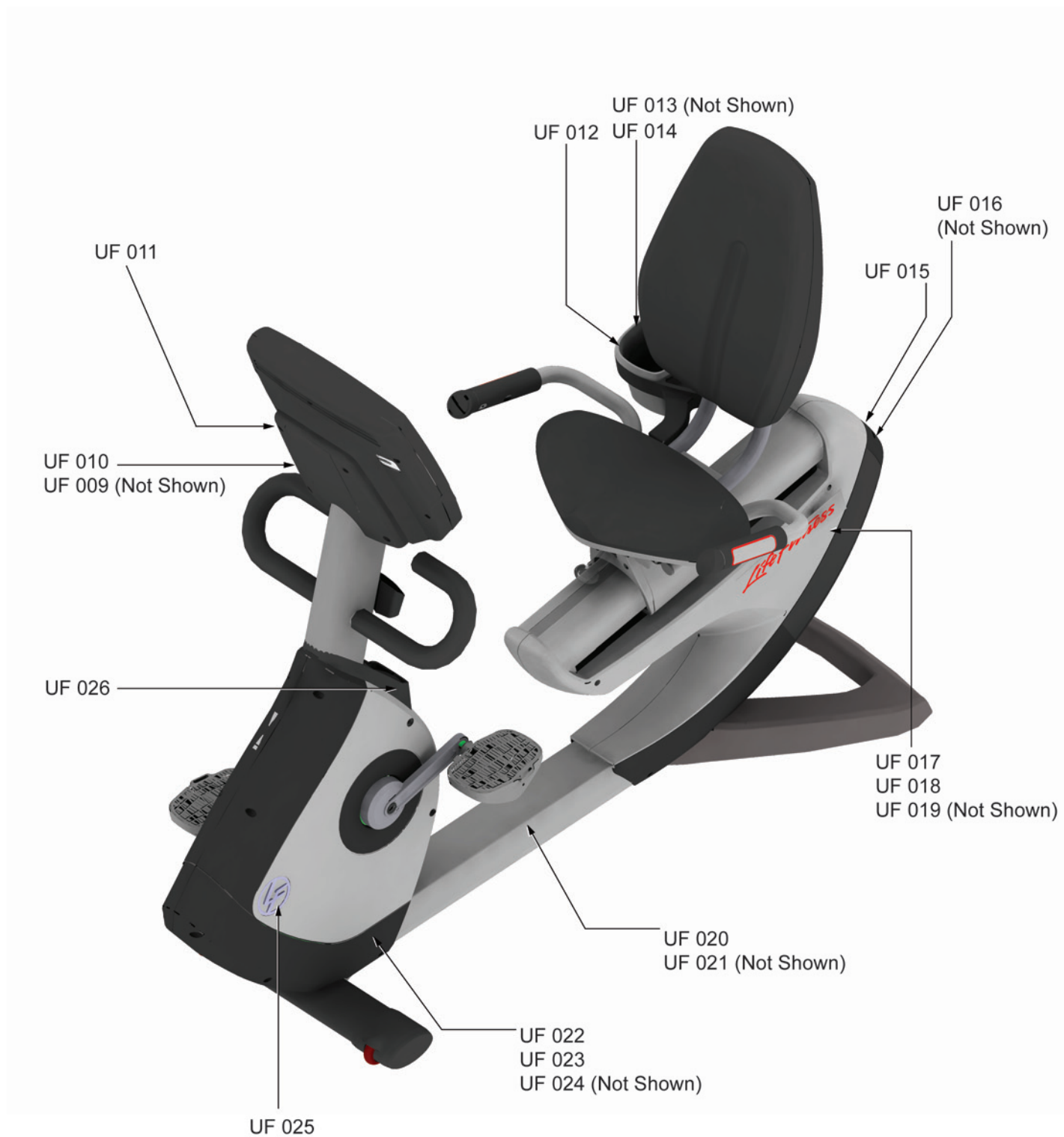
Monocolumn Assembly



Part Numbers

Item	Alpha Code(s)	Part Number	Description
UF-001	ARL, CLQ, PIR, PIN, APR, ACR	AK66-00038-0000	Mocolumn Assembly
UF-002	ARL, CLQ, PIR, PIN, APR, ACR	0K66-01099-0000	Mocolumn Cover
UF-003	ARL, CLQ, PIR, PIN, APR, ACR	0K67-01117-0000	Nut Plate
UF-004	ARL, CLQ, PIR, PIN, APR, ACR	0K67-01118-0000	Bracket Plate
UF-005	ARL, CLQ, PIR, PIN, APR, ACR	0017-00101-2035	Mounting Screw
UF-006	ARL, CLQ, PIR, PIN, APR, ACR	0K66-01112-0000	I-pod Bracket
UF-007	ARL, CLQ, PIR, PIN, APR, ACR	0017-00101-1732	I-pod Bracket Mounting Screw
UF-008	ARL, CLQ, PIR, PIN, APR, ACR	0K66-01072-0000	Grip

Shrouds



Part Numbers

tr> tr>

Item	Alpha Code(s)	Part Number	Description
UF-009	ARL, CLQ, PIR, PIN, APR, ACR	0017-00101-1796	Mounting Screw
UF-010	ARL, CLQ, PIR, PIN, APR, ACR	0K66-01100-0000	Console Back Cover
UF-011	ARL, CLQ, PIR, PIN, APR, ACR	0K67-01061-0000	Console Rear Middle Shroud
UF-012	ARL, CLQ, PIR, PIN, APR, ACR	AK66-00055-0000	Cup Holder
UF-013	ARL, CLQ, PIR, PIN, APR, ACR	0017-00101-2030	Mounting Screw
UF-014	ARL, CLQ, PIR, PIN, APR, ACR	0K67-01055-0000	Cup
UF-015	ARL, CLQ, PIR, PIN, APR, ACR	0K66-01055-0000	Rear End Cap Mounting Screw
UF-016	ARL, CLQ, PIR, PIN, APR, ACR	0017-00101-1796	Mounting Screw
UF-017	ARL, CLQ, PIR, PIN, APR, ACR	AK66-00044-0003	Right Rear Shroud W/ Decal - Shadow Gray
UF-017	ARL, PIR	AK66-00044-0000	Right Rear Shroud W/ Decal - Two Tone Painted
F-018	ARL, CLQ, PIR, PIN, APR, ACR	AK66-00045-0003	Left Rear Shroud W/ Decal
UF-018	ARL, PIR	AK66-00045-0000	Left Rear Shroud W/ Decal
UF-019	ARL, CLQ, PIR, PIN, APR, ACR	0017-00101-1796	Mounting Screw
UF-020	ARL, CLQ, PIR, PIN, APR, ACR	0K66-01059-0000	Middle Shroud
UF-021	ARL, CLQ, PIR, PIN, APR, ACR	0017-00101-1796	Mounting Screw
UF-022	APR, ACR	AK66-00042-0004	Front Right Shroud CS Decal Shadow Gray & Vents
UF-022	ARL, CLQ, PIR, PIN	AK66-00042-0003	Front Right Shroud LF Decal Shadow Gray & Vents
UF-022	ARL, PIR	AK66-00042-0002	Front Right Shroud LF Decal Shadow Gray, No Vents
UF-022	APR	AK66-00042-0001	Front Right Shroud CS Decal Shadow Gray, No Vents
UF-022	ARL	AK66-00042-0000	Front Right Shroud W/ Decal Painted Two Tone
UF-023	APR, ACR	AK66-00043-0004	Front Left Shroud CS Decal Shadow Gray & Vents
UF-023	ARL, CLQ, PIR, PIN	AK66-00043-0003	Front Left Shroud LF Decal Shadow Gray & Vents
UF-023	ARL, PIR	AK66-00043-0002	Front Left Shroud LF Decal Shadow Gray, No Vents
UF-023	APR	AK66-00043-0001	Front Left Shroud CS Decal Shadow Gray, No Vents
UF-023	ARL, PIR	AK66-00043-0000	Front Left Shroud W/ Decal Painted Two Tone
UF-024	ARL, CLQ, PIR, PIN, APR, ACR	0017-00101-1796	Mounting Screw
UF-025	ARL, CLQ, PIR, PIN, APR, ACR	0K65-01264-0000	LF Bug
UF-026	ARL, CLQ, PIR, PIN, APR, ACR	0K66-01057-0000	Media Holder

Heart Rate System

Seat Handle Components



Part Numbers

Item	Alpha Code(s)	Part Number	Description
HR-001	ARL, CLQ, PIR, PIN, APR, ACR	AK66-00102-0000	Cable
HR-002	ARL, CLQ, PIR, PIN, APR, ACR	0017-00101-1881	Stabilizer Mounting Screw
HR-003	ARL, CLQ, PIR, PIN, APR, ACR	0017-00104-0469	Washer
HR-004	ARL, CLQ, PIR, PIN, APR, ACR	AK66-00062-0000	Right Seat Handlebar
HR-005	ARL, CLQ, PIR, PIN, APR, ACR	AK66-00081-0000	Seat Frame Weldment
HR-006	ARL, CLQ, PIR, PIN, APR, ACR	0017-00101-1881	Stabilizer Mounting Screw
HR-007	ARL, CLQ, PIR, PIN, APR, ACR	AK66-00062-0001	Left Seat Handlebar
HR-008	ARL, CLQ, PIR, PIN, APR, ACR	AK66-00101-0000	Cable Assembly
HR-009	ARL, CLQ, PIR, PIN, APR, ACR	0017-00101-1881	Stabilizer Mounting Screw
HR-010	ARL, CLQ, PIR, PIN, APR, ACR	0017-00104-0469	Washer
HR-011	ARL, CLQ, PIR, PIN, APR, ACR	AK63-00014-00004	Right Or Left Electrode
HR-012	ARL, CLQ, PIR, PIN, APR, ACR	0K66-01141-0000	Insulator Plug
HR-013	ARL, CLQ, PIR, PIN, APR, ACR	0017-00101-1720	Mounting Screw (Bottom)
HR-014	ARL, CLQ, PIR, PIN, APR, ACR	0K69-01166-0000	Dummy End Cap
HR-015	ARL, CLQ, PIR, PIN, APR, ACR	0017-00101-2032	Mounting Screw
HR-016	ARL, CLQ, PIR, PIN, APR, ACR	0K66-01143-0000	Seat Frame End Cap
HR-017	ARL, CLQ, PIR, PIN, APR, ACR	0017-00101-2032	Mounting Screw
HR-018	ARL, CLQ, PIR, PIN, APR, ACR	AK69-00100-0000	Left Button Assembly

Free Manuals Download Website

<http://myh66.com>

<http://usermanuals.us>

<http://www.somanuals.com>

<http://www.4manuals.cc>

<http://www.manual-lib.com>

<http://www.404manual.com>

<http://www.luxmanual.com>

<http://aubethermostatmanual.com>

Golf course search by state

<http://golfingnear.com>

Email search by domain

<http://emailbydomain.com>

Auto manuals search

<http://auto.somanuals.com>

TV manuals search

<http://tv.somanuals.com>