

Integrity CLSL Summit Trainer

CLSL-ALLXX-01

Parts Manual

13.09.11



LifeFitness
WHAT WE LIVE FOR

Table of Contents

Miscellaneous	3
Console Assembly (CN)	4
Heart Rate (HR)	6
Base Electronics (BE)	7
Resistor and 6V Battery	7
Power Control Board/Access Panel Assembly	8
Drive System (DS)	9
Crossover Pulley Assembly	9
Flexonic Belts and Tensioner Bracket	10
Clutch Shaft and Sprockets	11
Clutch Pulley and Shaft Assemblies	12
Timing Belts and Springs	13
Alternator	14
Frame System (FS)	15
Console Support Assembly	15
User Arms and Hardware	16
Deadshft and Bullhorn Covers	17
Mono-Column, Hand Rail and Vertical Uprights	18
Shrouds, Boot	19
Access Panel, Wheels and Leg Levelers	20
Stepping System (SS)	21
Rear Step Assembly	21
Pedal Track Cover and Step Assembly	22
Pedals, Truck and Roller Assembly	23
Lower Track Cover and Hardware	24
Linkage System (LS)	25
Rocker Arm and Control Link Assembly	25

Miscellaneous

Miscellaneous Part Numbers

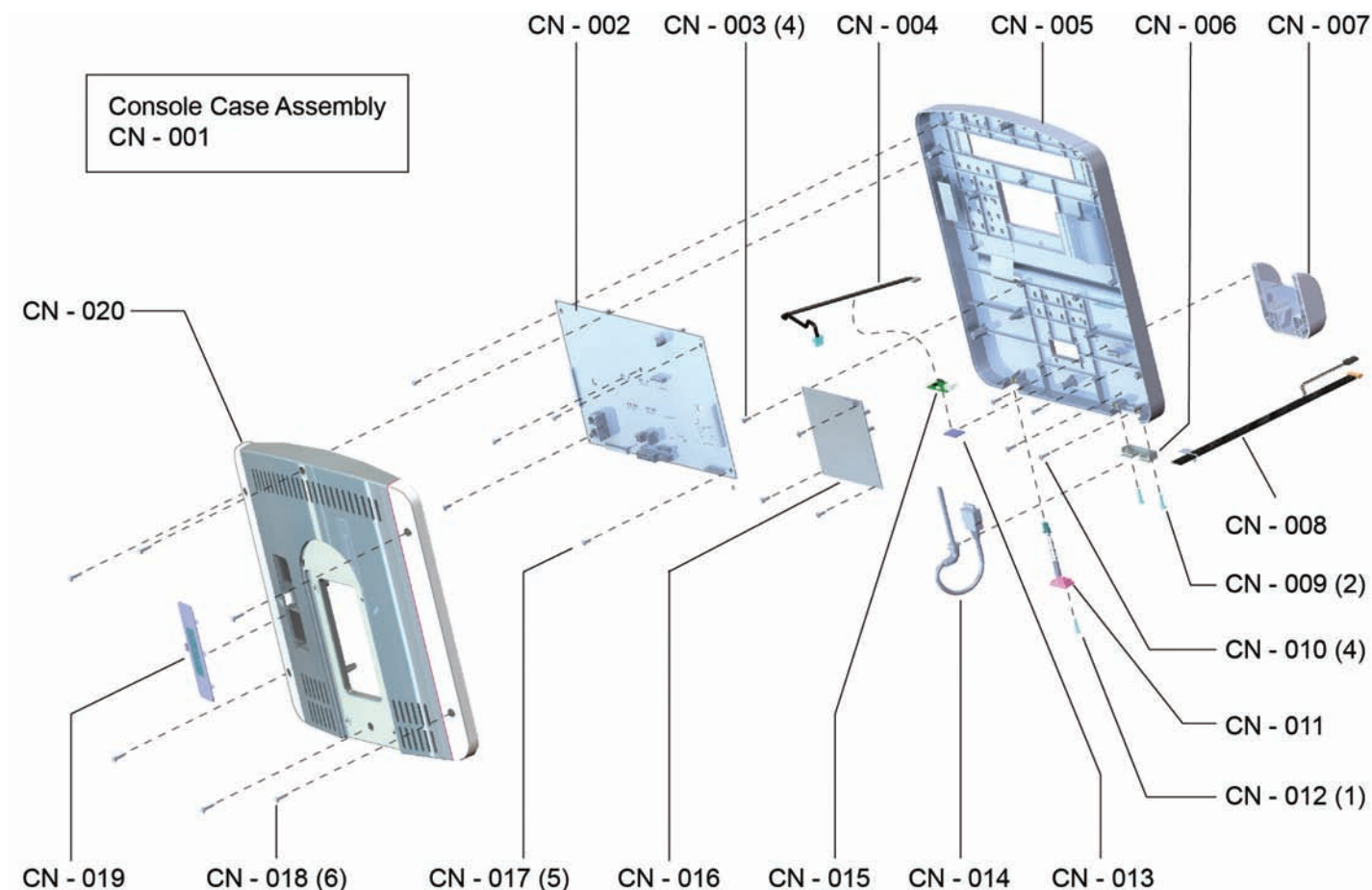
Description	Part Number
Operation Manual	
English	M051-00K68-A035 - PDF available on-line
German	M051-00K68-A036 - PDF available on-line
French	M051-00K68-A037 - PDF available on-line
Spanish	M051-00K68-A038 - PDF available on-line
Italian	M051-00K68-A039 - PDF available on-line
Dutch	M051-00K68-A040 - PDF available on-line
Russian	M051-00K68-A032 - PDF available on-line
Japanese	M051-00K68-A033 - PDF available on-line
Service Manual	
Assembly Instructions (Multi-Language)	M051-00K68-B034 - PDF available on-line
Arctic Silver Touch-up Paint:	
Spray Can	0017-00008-0204
.5 oz Bottle with Applicator	0017-00008-0205
.33 oz Pen	0017-00008-0206
Shadow Gray Touch-up Paint (for Rocker Arms)	
.6 oz Bottle with Applicator	0017-00008-0210
.6 oz Pen	0017-00008-0211
Hardware Bag	AK68-00198-0001

Serial Number Table

Item Number	Alpha Code (Prefix)	Starting Serial Number	Ending Serial Number
CLSL-ALLXX-01	LSL	100000	
CLSL-ALLCX-01	LSL	100000	

Console Assembly (CN)

Exploded View



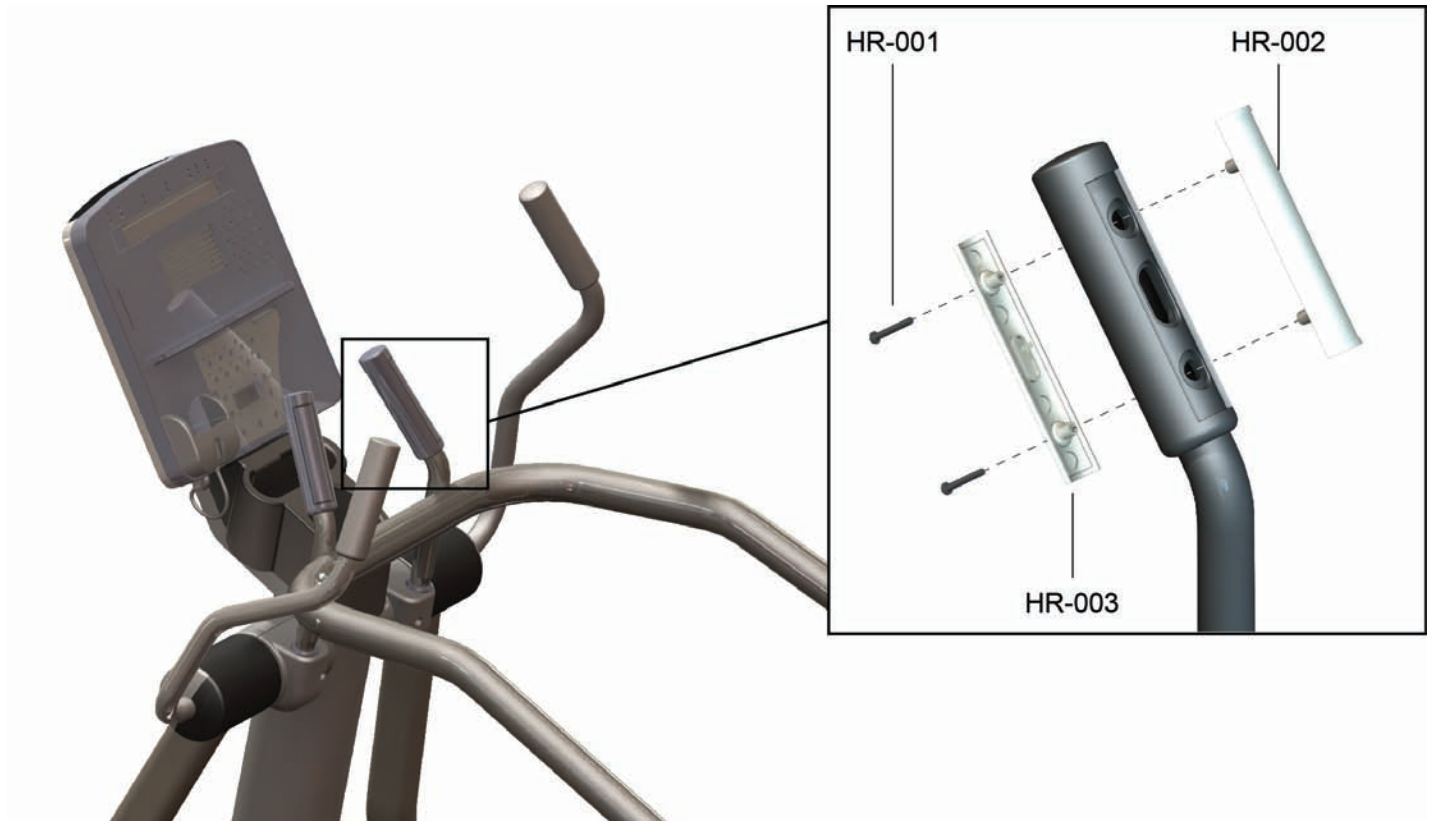
Parts List

Item	Alpha Code	Part Number	Description
CN-001	LSL	CLEDL-ENGEX-01N	Console Assembly English/English
"	LSL	CLEDL-ENGMX-01N	Console Assembly English/Metric
"	LSL	CLEDL-GERMX-01N	Console Assembly German/Metric
"	LSL	CLEDL-FRNMX-01N	Console Assembly French/Metric
"	LSL	CLEDL-SPNMX-01N	Console Assembly Spanish/Metric
"	LSL	CLEDL-ITLMX-01N	Console Assembly Italian/Metric
"	LSL	CLEDL-DUTMX-01N	Console Assembly Dutch/Metric
"	LSL	CLEDL-RUSMX-01N	Console Assembly Russian/Metric
CN-002	LSL	A084-92367-0000	Programmed Console Board
CN-003	LSL	0017-00101-1650	PCB Mounting Screws
CN-004	LSL	AK69-00157-0000	Heart Rate Cable
CN-005	LSL	AK86-00070-0000	Overlay Bezel/Switch/iPod Holder Assembly Eng/Eng
"	LSL	AK86-00079-0002	Overlay Bezel/Switch/iPod Holder Assembly Eng/Met
"	LSL	AK86-00071-0000	Overlay Bezel/Switch/iPod Holder Assembly Ger/Met
"	LSL	AK86-00072-0000	Overlay Bezel/Switch/iPod Holder Assembly Fr/Met
"	LSL	AK86-00073-0000	Overlay Bezel/Switch/iPod Holder Assembly Sp/Met
"	LSL	AK86-00074-0000	Overlay Bezel/Switch/iPod Holder Assembly Ital/Met

"	LSL	AK86-00075-0000	Overlay Bezel/Switch/iPod Holder Assembly Dut/Met
"	LSL	AK86-00076-0000	Overlay Bezel/Switch/iPod Holder Assembly Rus/Met
CN-006	LSL	0K86-01004-0200	Panel Access iPod
CN-007	LSL	0K86-01003-0200	iPod Holder
CN-008	LSL	AK86-00003-0000	iPod Cable to PCB
CN-009	LSL	0017-00101-1811	6-32 x 10 PHL PAN Mounting Screw (2)
CN-010	LSL	3223501	iPod Holder Screws (4)
CN-011	LSL	AK86-0025-0201	Headphone Jack
CN-012	LSL	0017-00101-1811	6-32 x 10 PHL PAN Mounting Screw (1)
CN-013	LSL	0K39-1044-0001	Double-sided Tape
CN-014	LSL	AK86-0001-0200	iPod Cable
CN-015	LSL	118E-0001-0244	PCB: Polar Coded Receiver
CN-016	LSL	B084-92368-0000	Lower Display
CN-017	LSL	0017-00101-1650	PCB Mounting Screws (5)
CN-018	LSL	0017-00101-1242	Console Case Screws (6)
CN-019	LSL	0K62-01026-0202	Battery Door
CN-020	LSL	AK86-0024-0201	Console Case Assembly
Not Shown	LSL	0K62-1175-0001	Decal

Heart Rate (HR)

Exploded View



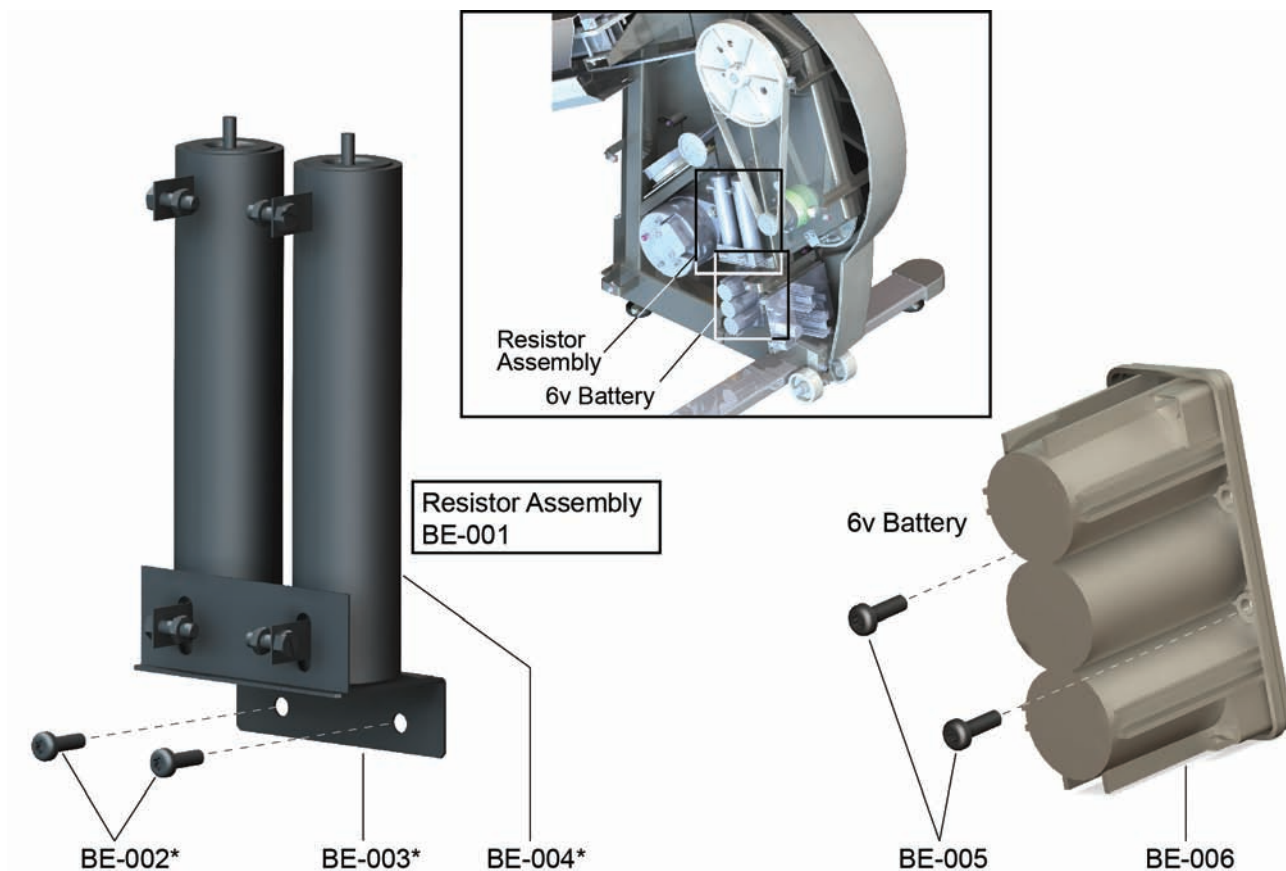
Part Numbers

Item	Alpha Code	Part Number	Description
HR-001	LSL	0017-00101-1462	Electrode Screw (2)
HR-002	LSL	AK60-00079-0203	Top Electrode
HR-003	LSL	AK60-00080-0203	Bottom Electrode

Base Electronics (BE)

Resistor and 6V Battery

Exploded View



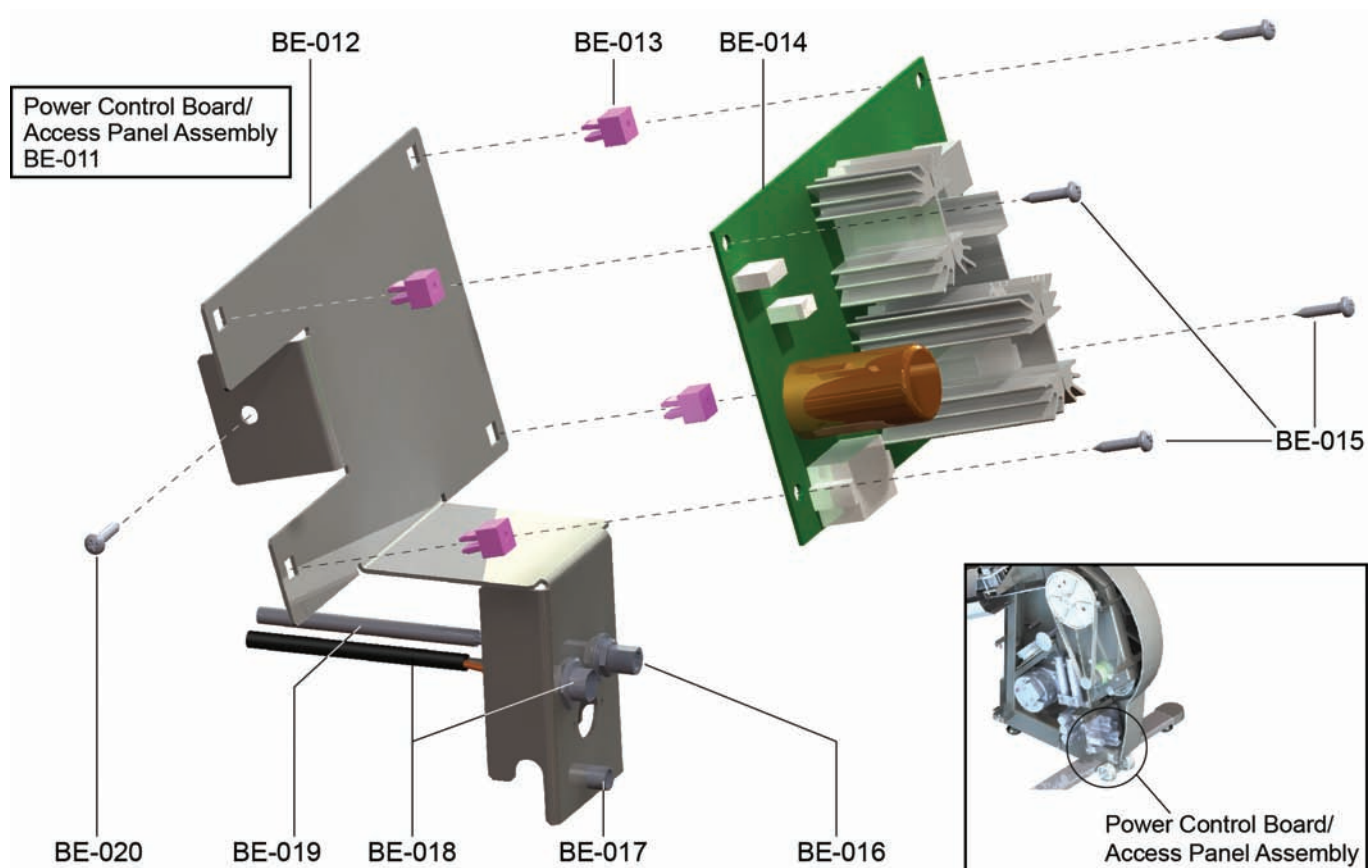
Parts List

Item	Alpha Code	Part Number	Description
BE-001	LSL	AK68-00108-0000	Resistor Assembly - includes parts in asterisk (*)
BE-002*	LSL	0017-00101-1797	Resistor Assembly Mounting Screw (2)
BE-003*	LSL	See Note 1	Resistor Bracket
BE-004*	LSL	100E-00002-0091	Resistor (2)
BE-005	LSL	0017-00101-1797	Battery Mounting Screw (2)
BE-006	LSL	0017-00003-0685	6v Battery

Note 1: Available only with complete assembly (Item BE-001)

Power Control Board/Access Panel Assembly

Exploded View



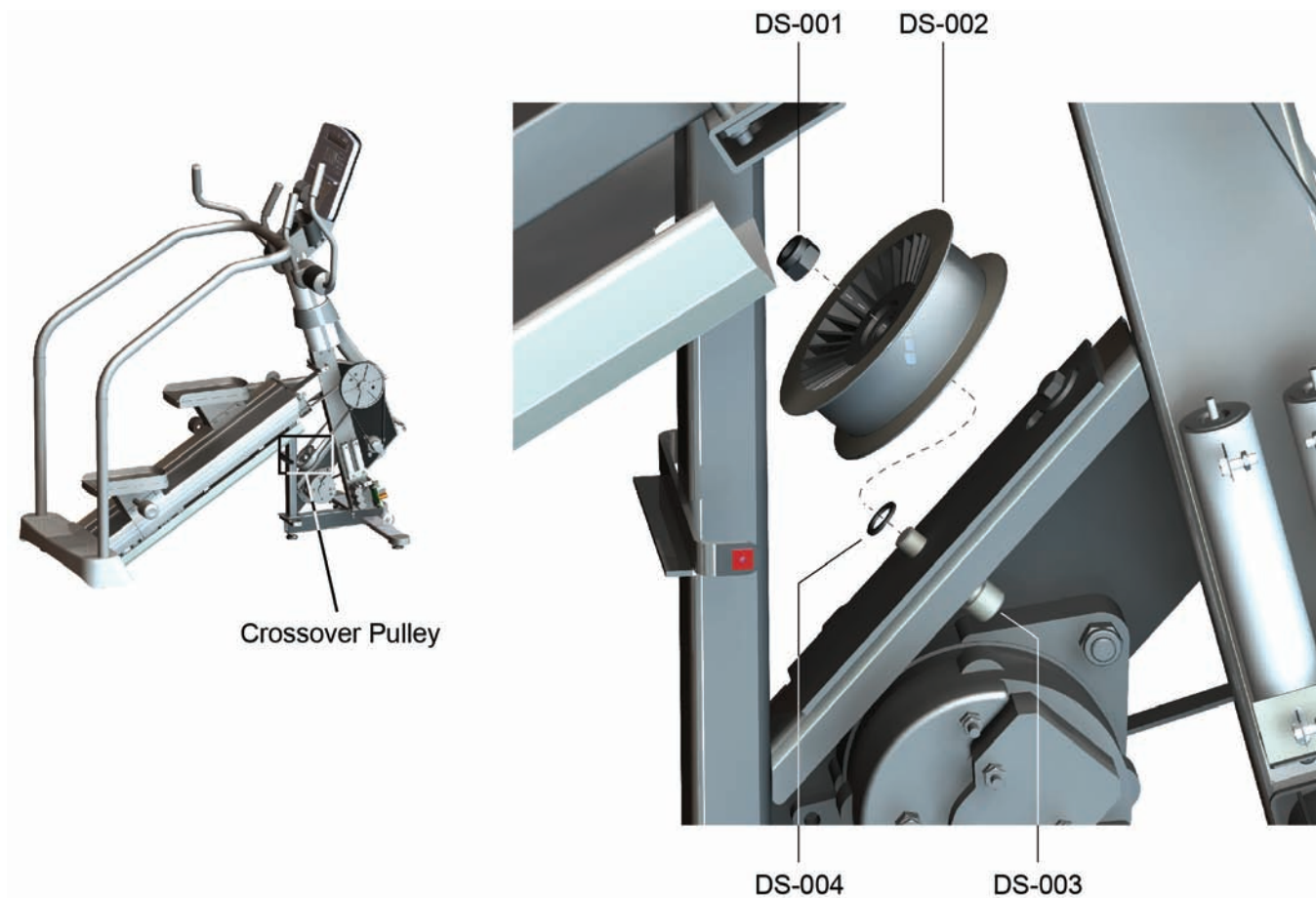
Parts List

Item	Alpha Code	Part Number	Description
BE-011	LSL	AK68-00107-0002	Power Control Board/Access Panel Assembly
BE-012	LSL	0K68-01031-0000	Access Panel Bracket
BE-013	LSL	0017-00042-0821	Plastic Grommet (4)
BE-014	LSL	B084-92218-0000	Alternator Control Board
BE-015	LSL	0017-00101-1838	PCB Mounting Screw (4)
BE-016	LSL	0017-00021-2846	CONN FTYPE PNL F01S RD GP F B
BE-017	LSL	AK32-00078-0001	CBL-ASSY: PWR EXT; 120" S/C-C
BE-018	LSL	AK47-00063-0002	CBL-ASSY: DC POWER; 12" S/C-C
BE-019	LSL	AK32-00020-0002	CBL-ASSY: COAX; 120 IN. S/C-B
BE-020	LSL	0017-00101-1838	Bracket Mounting Screw

Drive System (DS)

Crossover Pulley Assembly

Exploded View

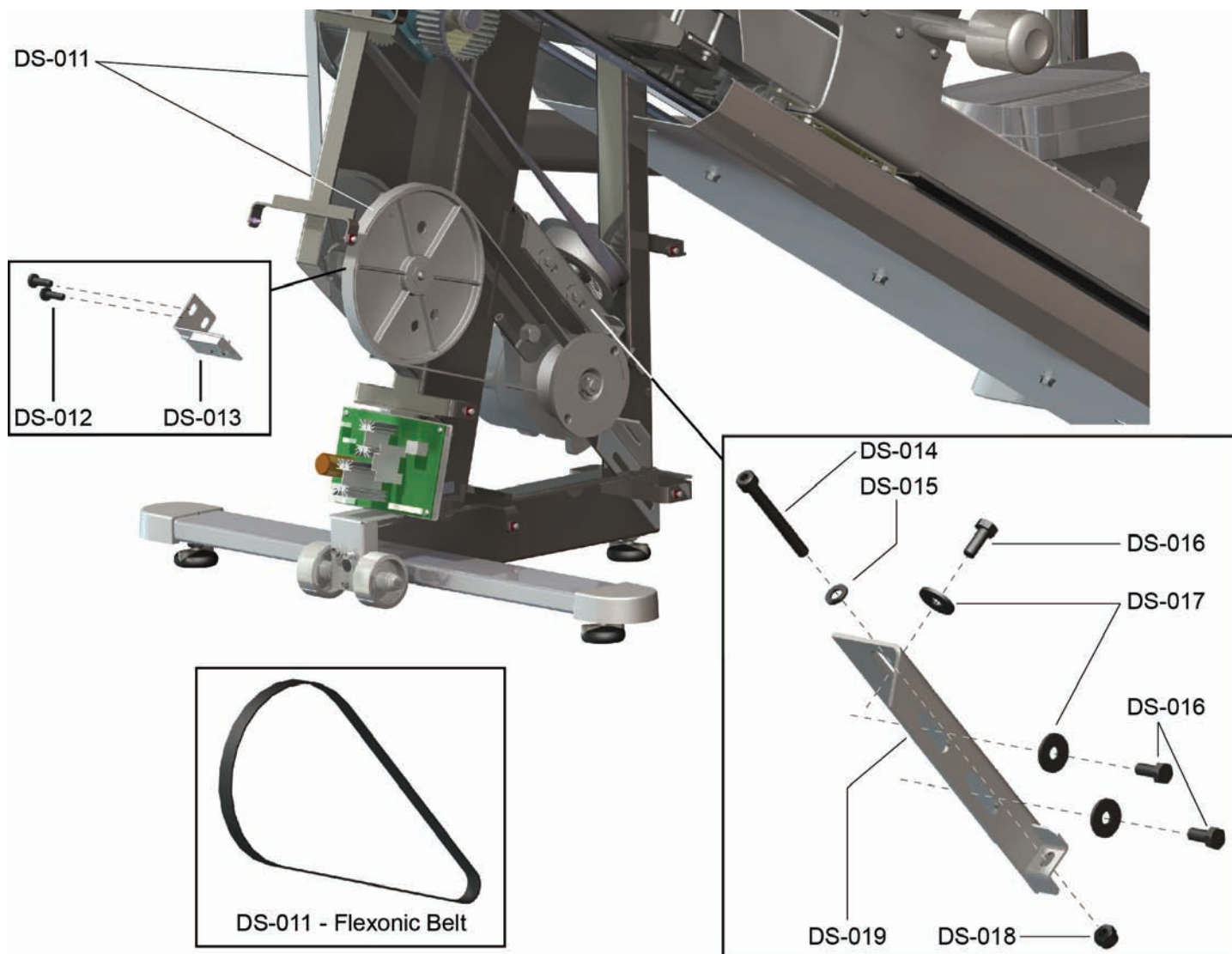


Parts List

Item	Alpha Code	Part Number	Description
DS-001	LSL	0017-00103-0332	Nut
DS-002	LSL	AK68-00104-0000	Crossover Pulley
DS-003	LSL	0017-00104-0044	Washer
DS-004	LSL	0017-00101-1911	Mounting Bolt

Flexonic Belts and Tensioner Bracket

Exploded View

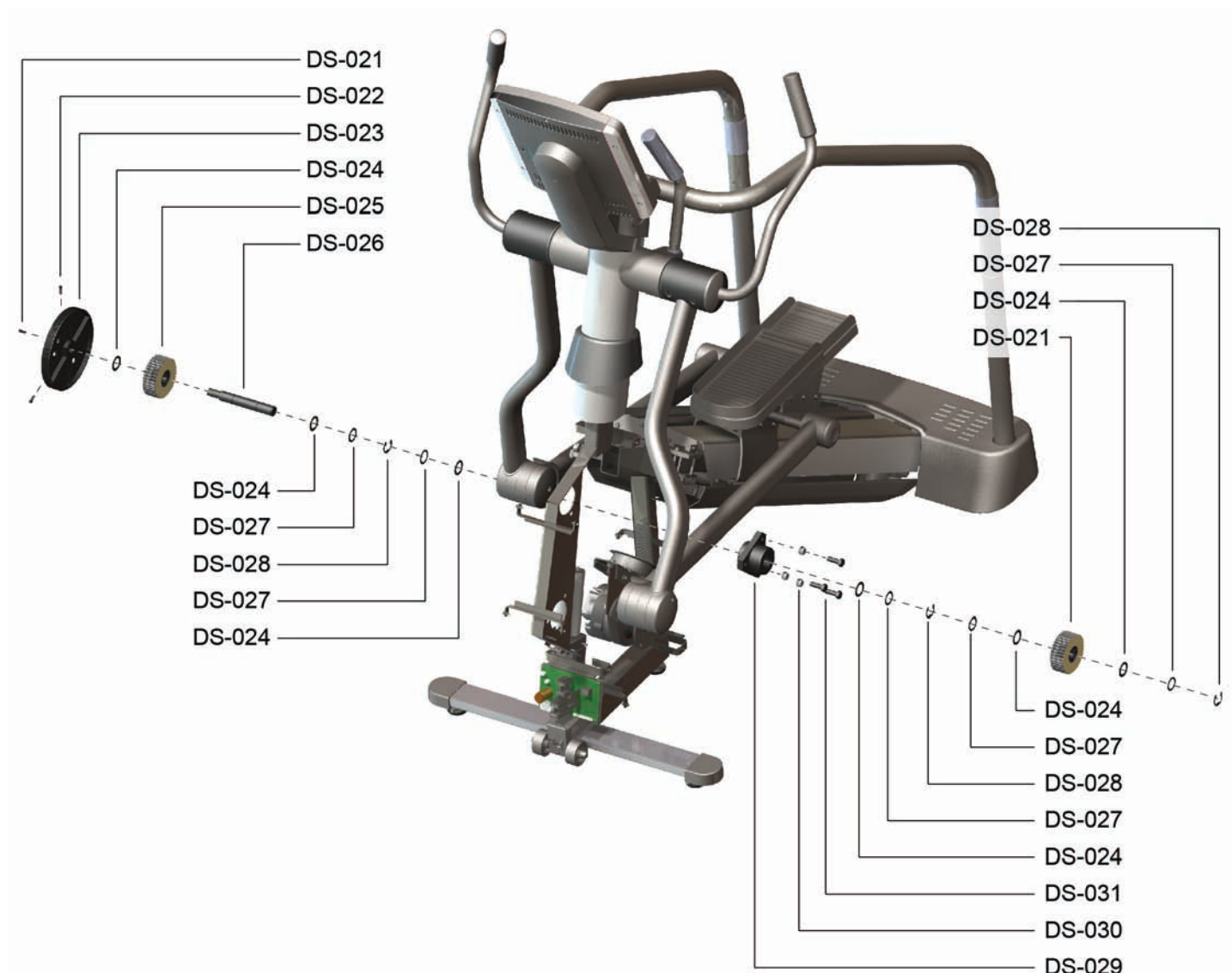


Parts List

Item	Alpha Code	Part Number	Description
DS-011	LSL	0K62-01134-0000	Flexonic Belt
DS-012	LSL	0017-00101-1797	Reed Switch Mounting Screw (2)
DS-013	LSL	AK68-00159-0000	Reed Switch
DS-014	LSL	0017-00101-1905	Tensioner Screw
DS-015	LSL	0017-00104-0469	Washer
DS-016	LSL	0017-00101-1906	Bracket Screw (3)
DS-017	LSL	0017-00104-0479	Bracket Washer (3)
DS-018	LSL	0017-00103-0333	Tensioner Nut
DS-019	LSL	AK68-00130-0000	Tensioner Bracket

Clutch Shaft and Sprockets

Exploded View

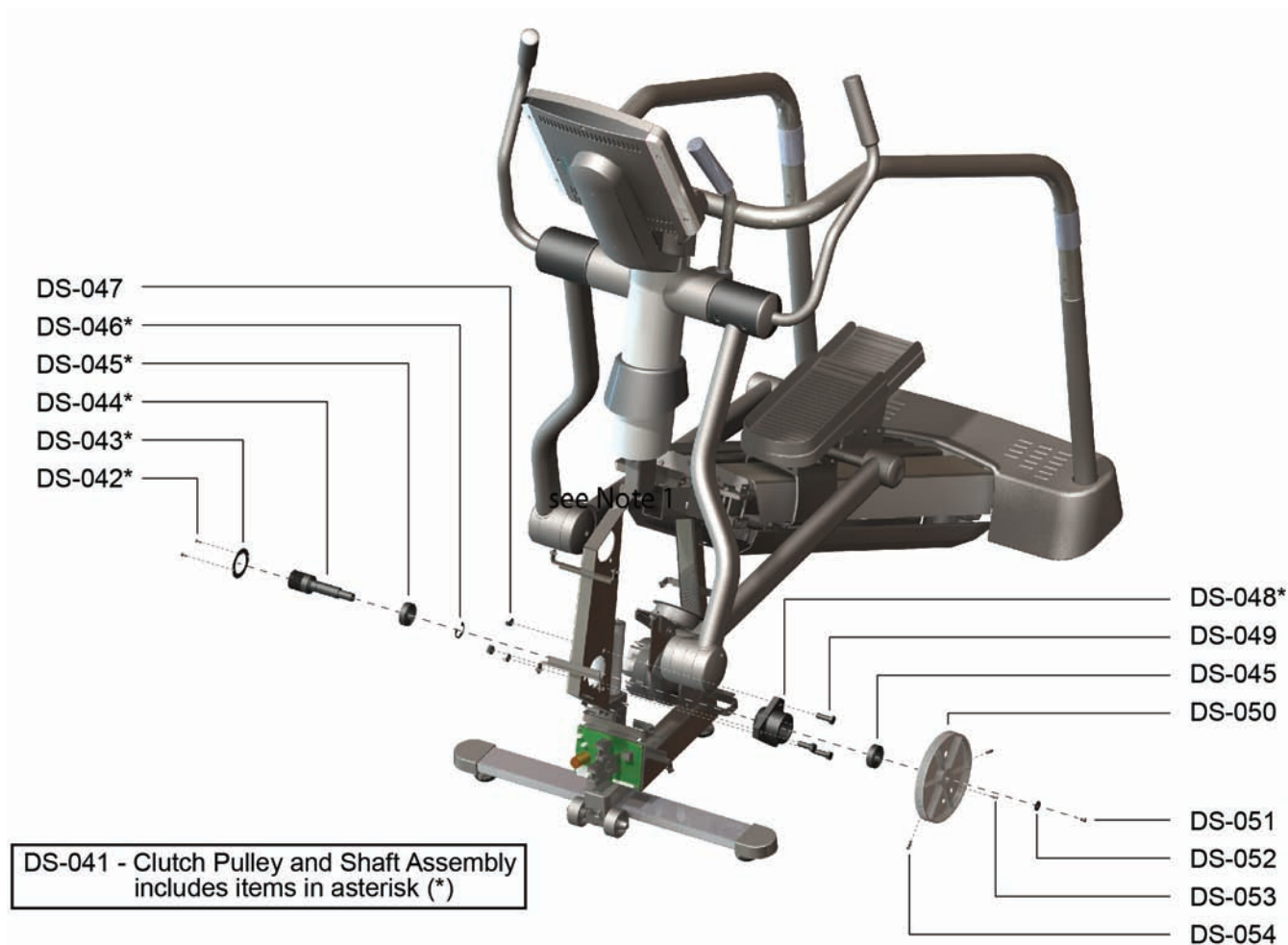


Parts List

Item	Alpha Code	Part Number	Description
DS-021	LSL	0K53-01183-0000	Hex Key
DS-022	LSL	0017-00101-2015	Setscrew (2)
DS-023	LSL	0K35-01186-0007	Poly-V Pulley
DS-024	LSL	0K47-01104-0000	Thrust Washer (6)
DS-025	LSL	AK68-00102-0001	Users Right Clutch Sprocket
DS-026	LSL	0K47-01024-0000	Clutch Shaft
DS-027	LSL	0K47-01105-0000	Hardened Washer (5)
DS-028	LSL	0017-00100-0107	Retaining Ring (3)
DS-029	LSL	AK68-00157-0000	Bearing House
DS-030	LSL	0017-00103-0332	Nut (3)
DS-031	LSL	0017-00101-1909	Bearing House Mounting Screw (3)

Clutch Pulley and Shaft Assemblies

Exploded View



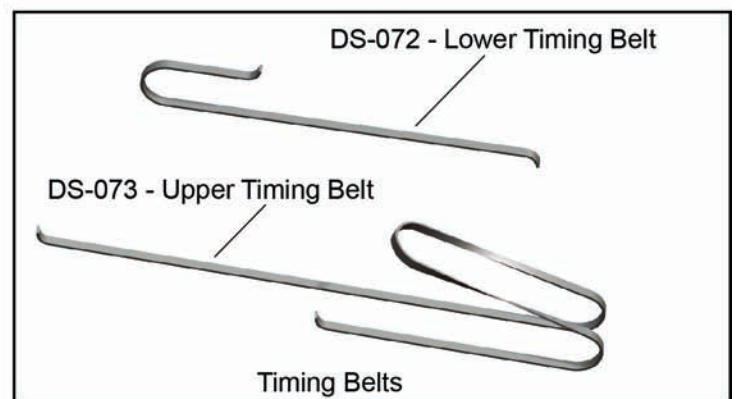
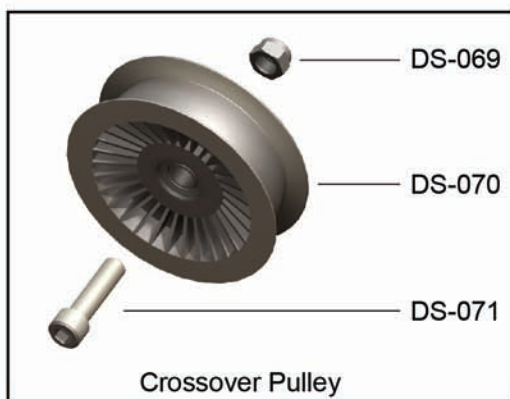
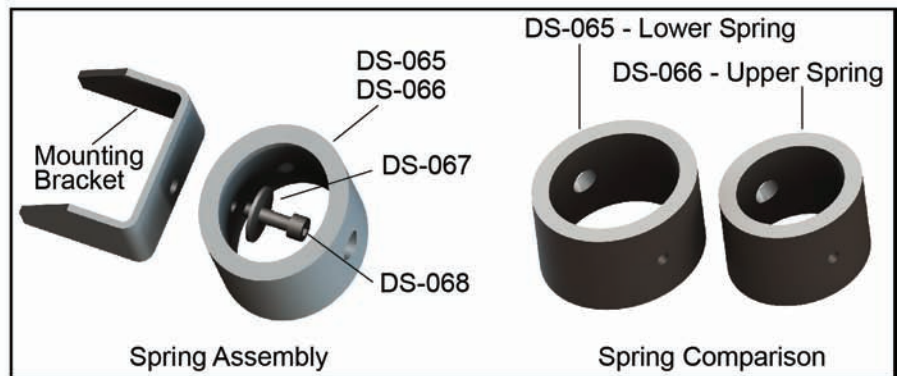
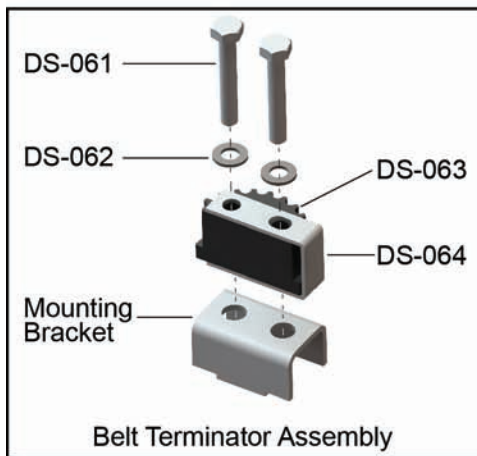
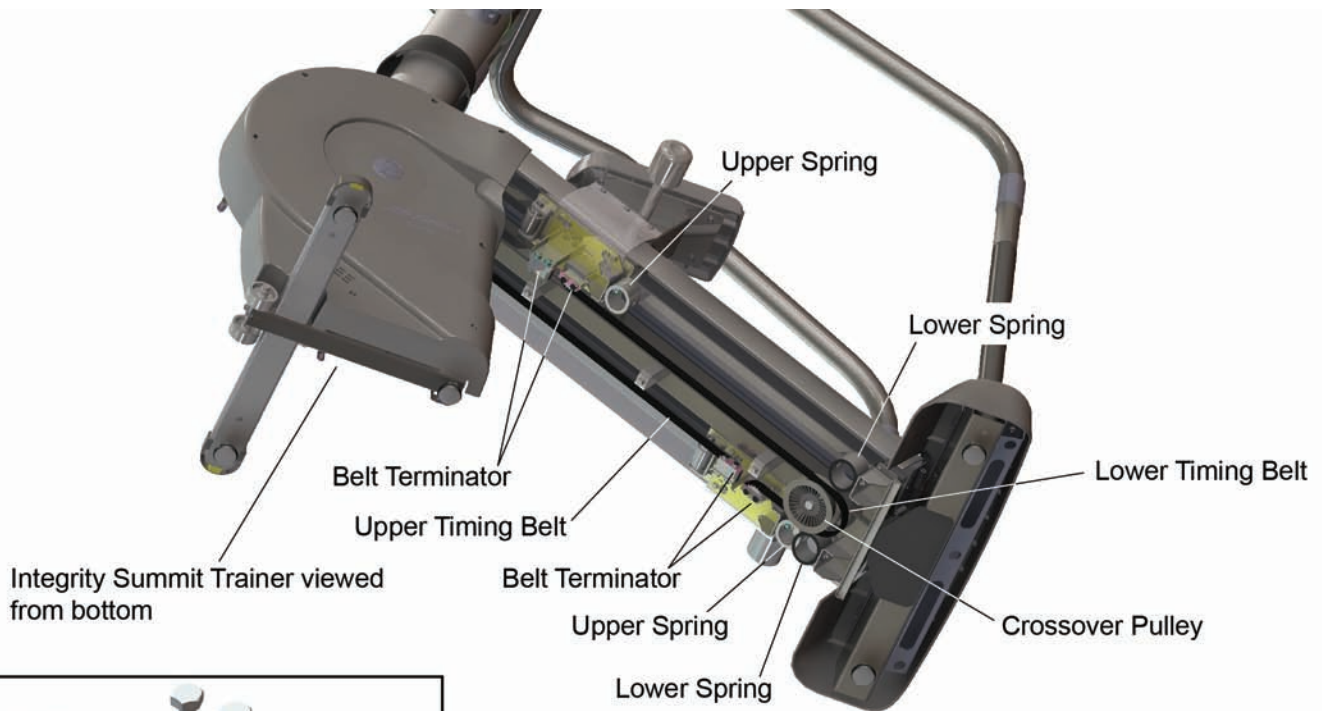
Parts List

Item	Alpha Code	Part Number	Description
DS-041	LSL	AK68-00105-0000	Clutch Pulley and Shaft Assembly - includes item in asterisk (*)
DS-042*	LSL	see Note 1	Bearing Retainer Mounting Screw (2)
DS-043*	LSL	see Note 1	Bearing Retainer
DS-044*	LSL	see Note 1	Intermediate Shaft
DS-045*	LSL	see Note 1	Bearing (2)
DS-046*	LSL	see Note 1	Retaining Ring
DS-047	LSL	0017-00103-0332	Nut (3)
DS-048*	LSL	see Note 1	Bearing Housing
DS-049	LSL	0017-00101-1909	Bearing Housing Mounting Screw (3)
DS-050	LSL	AK68-00212-0000	Pulley with Magnet
DS-051	LSL	0017-00101-1836	Screw
DS-052	LSL	0017-00104-0465	Washer
DS-053	LSL	0K53-01183-0000	Hex Key
DS-054	LSL	0017-00101-2015	Setscrew (2)

Note 1: These parts are included with the Clutch Pulley and Shaft Assembly (Item DS-041) and are not available separately.

Timing Belts and Springs

Exploded View



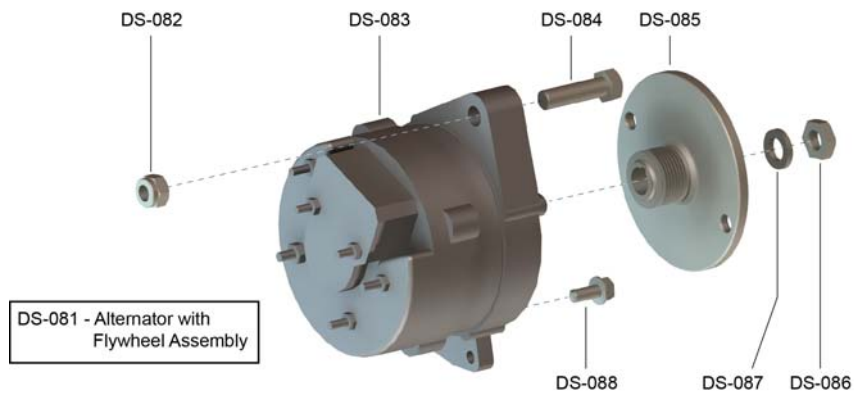
Parts List

Item	Alpha Code	Part Number	Description
DS-061	LSL	0017-00101-1904	Mounting Screw (2 per Belt Terminator)
DS-062	LSL	0017-00104-0469	Washer (2 per Belt Terminator)
DS-063	LSL	0K35-01105-0000	Belt Terminator (4)
DS-064	LSL	0K35-01142-0000	Bracket (4)

DS-065	LSL	0K68-01081-0000	Lower Spring (2)
DS-066	LSL	0K68-01051-0000	Upper Spring (2)
DS-067	LSL	0017-00104-0465	Washer (1 per Spring)
DS-068	LSL	0017-00101-1902	Mounting Screw (1 per Spring)
DS-069	LSL	0017-00103-0332	Nut
DS-070	LSL	AK68-00104-0000	Crossover Pulley
DS-071	LSL	0017-00101-1911	Pulley Mounting Screw
DS-072	LSL	AK68-00211-0000	Lower Timing Belt
DS-073	LSL	AK68-00210-0000	Upper Timing Belt

Alternator

Exploded View



Parts List

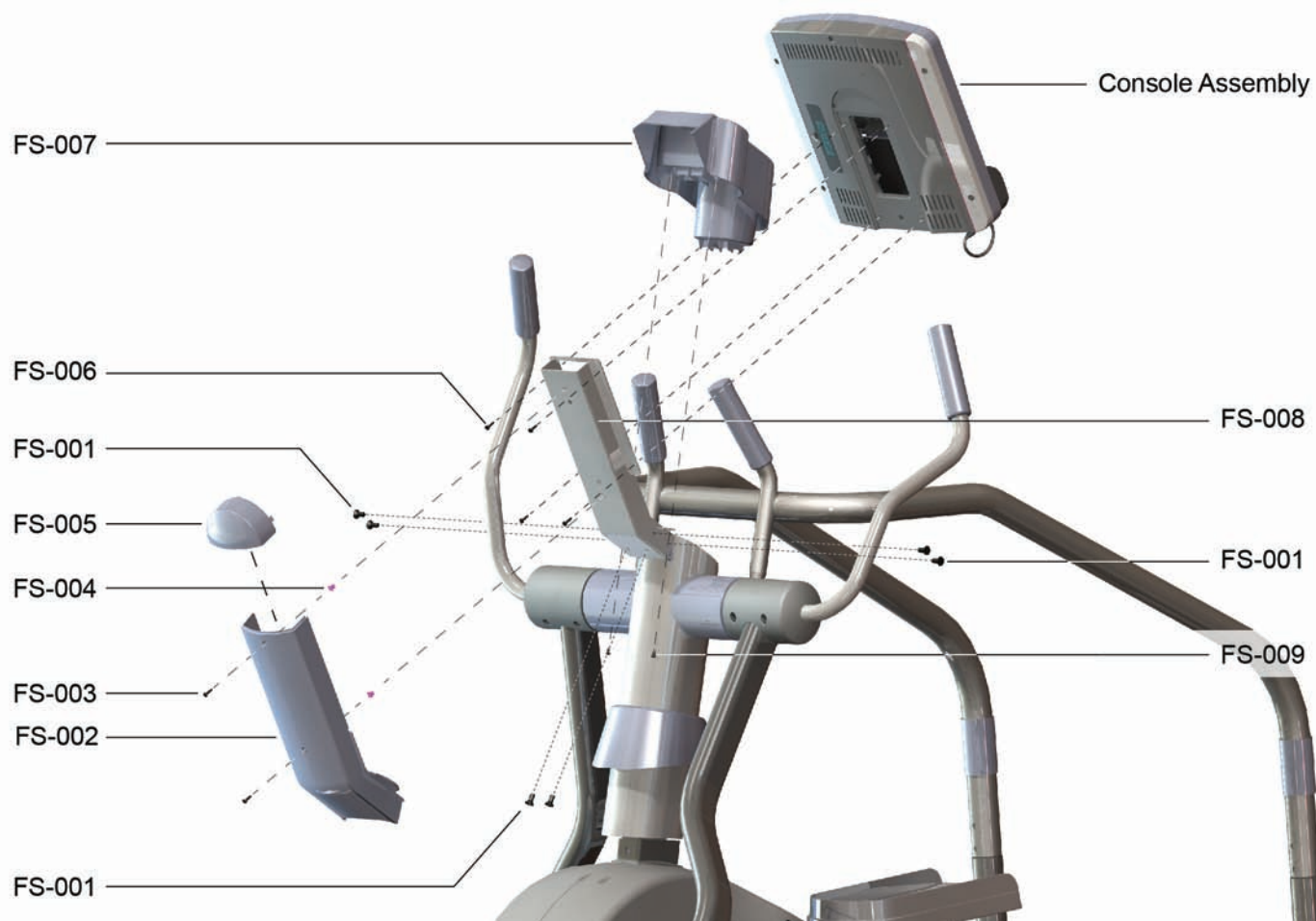
Item	Alpha Code	Part Number	Description
DS-081	LSL	AK68-00213-0001	Alternator with Flywheel Assembly - includes Items in asterisk (*)
DS-082	LSL	0017-00103-0332	Nut
DS-083*	LSL	0017-00009-0841	Alternator
DS-084	LSL	0017-00101-1867	Bolt
DS-085*	LSL	see Note 1	Flywheel
DS-086	LSL	see Note 1	Nut
DS-087*	LSL	see Note 1	Washer
DS-088*	LSL	0017-00101-0986	Bolt
DS-089	LSL	0017-00009-0895	Alternator Brush Kit (not shown)

Note 1 - not available individually; included in Alternator with Flywheel Assembly (Item DS-081).

Frame System (FS)

Console Support Assembly

Exploded View

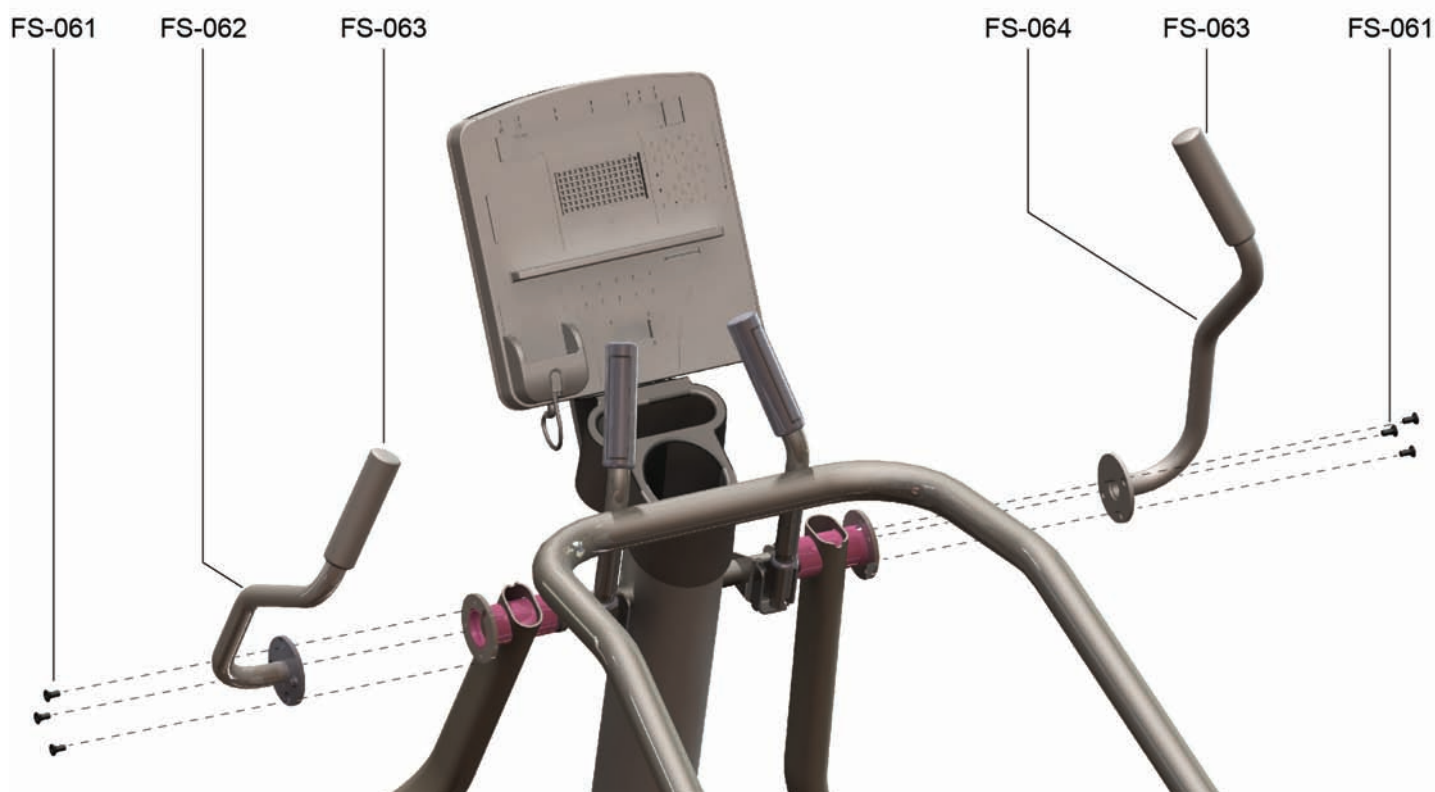


Parts List

Item	Alpha Code	Part Number	Description
FS-001	LSL	0017-00101-1791	Console Support Mounting Screw (6)
FS-002	LSL	0K62-01023-0402	Console Support Cover
FS-003	LSL	0017-00101-1796	Console Support Cover Screw (2)
FS-004	LSL	0017-0042-0754	Grommet (2)
FS-005	LSL	0K62-010300202	Console Support Cap
FS-006	LSL	0017-00101-1744	Console Mounting Screw (4)
FS-007	LSL	0K62-01022-0202	Accessory Tray
FS-008	LSL	AK62-00123-0001	Console Support Assembly
FS-009	LSL	0017-00101-1846	Mounting Screw (2)

User Arms and Hardware

Exploded View

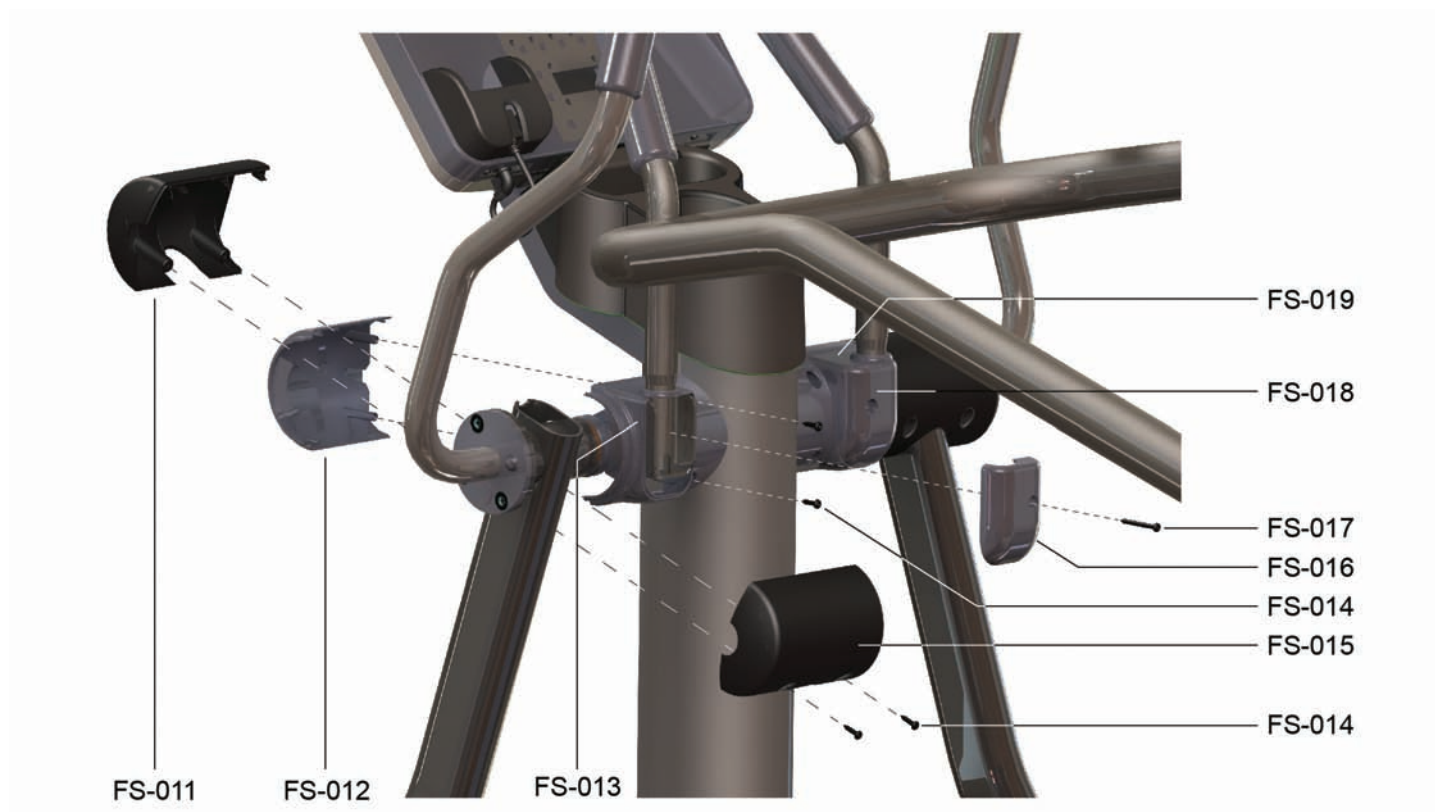


Parts List

Item	Alpha Code	Part Number	Description
FS-061	LSL	0017-00101-1791	User Arm Mounting Screw (3 per Arm)
FS-062	LSL	AK68-00143-0004	Left User Arm with Grip
FS-063	LSL	AK68-00143-0003	Right User Arm with Grip
FS-064	LSL	0K62-01138-0201	Grip

Deadshaft and Bullhorn Covers

Exploded View

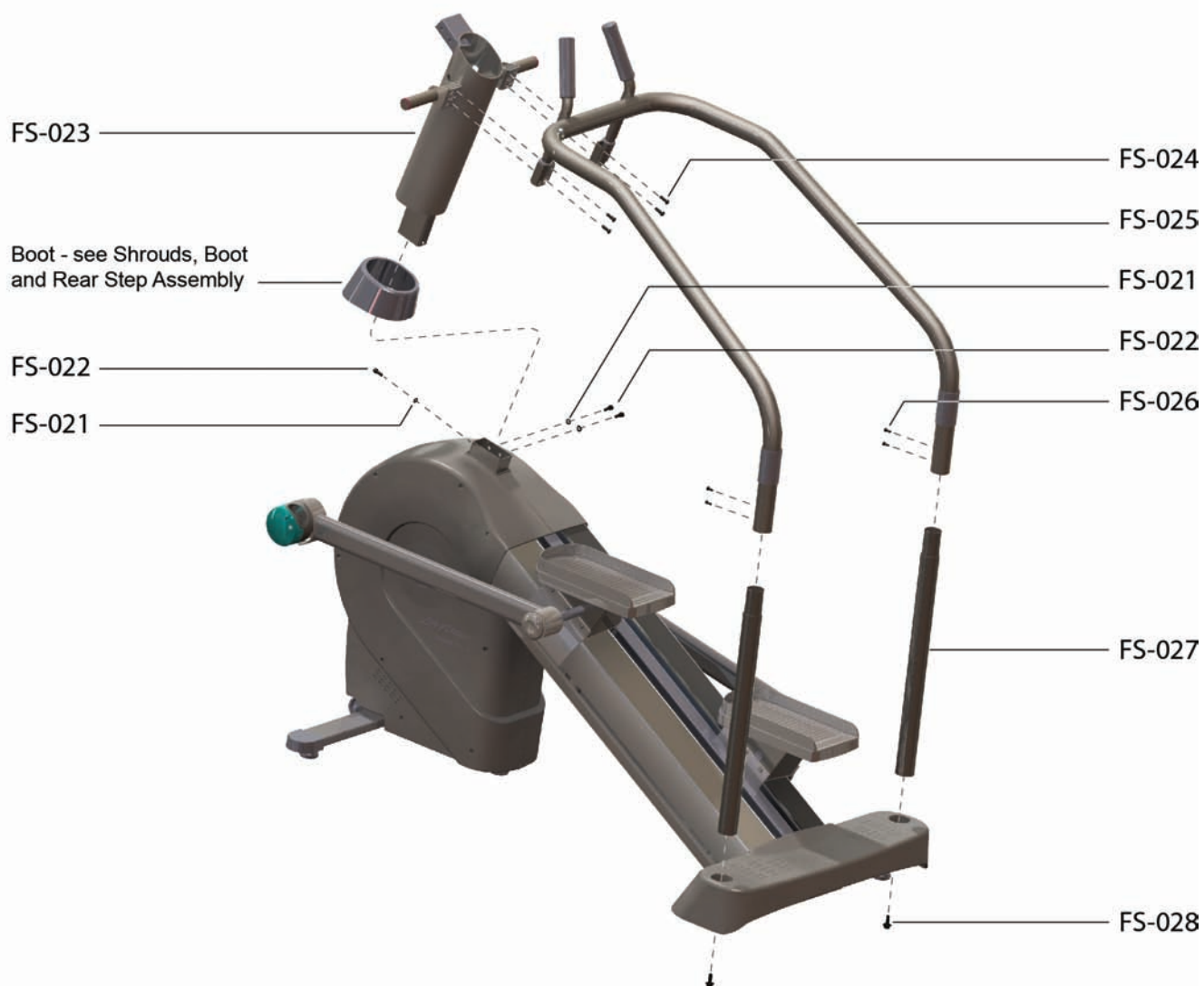


Parts List

Item	Alpha Code	Part Number	Description
FS-011	LSL	0K62-01012-0201	Outside Deadshaft Cover - A (2)
FS-012	LSL	0K62-01009-0201	Inside Deadshaft Cover - front (2)
FS-013	LSL	0K62-01011-0201	Inside Deadshaft Cover - left rear
FS-014	LSL	0017-00101-1796	Deadshaft Cover Screw (2 per cover)
FS-015	LSL	0K62-01013-0201	Outside Deadshaft Cover - B (2)
FS-016	LSL	0K62-01008-0202	Bullhorn Cover - left
FS-017	LSL	0017-00101-1854	Bullhorn Cover Screw (1 per cover)
FS-018	LSL	0K62-01007-0202	Bullhorn Cover - right
FS-019	LSL	0K62-01010-0201	Inside Deadshaft Cover - right rear

Mono-Column, Hand Rail and Vertical Uprights

Exploded View

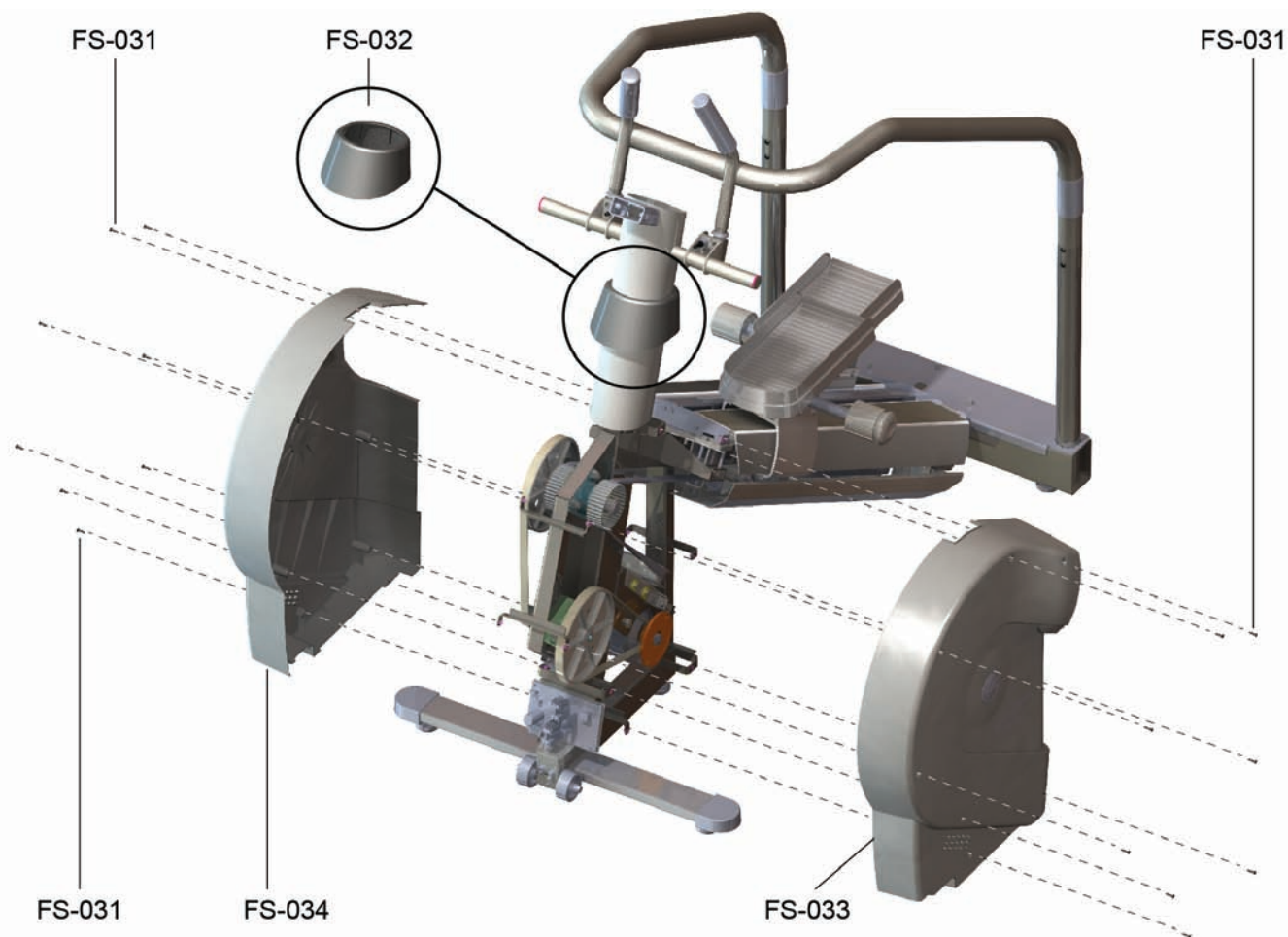


Parts List

Item	Alpha Code	Part Number	Description
FS-021	LSL	0017-00104-0469	Washer (3)
FS-022	LSL	0017-00101-1881	Mono-Column Mounting Bolt (3)
FS-023	LSL	GK68-00002-0002	Mono-Column with Inserts
FS-024	LSL	0017-00101-1805	Upper Handrail Mounting Screw (4)
FS-025	LSL	AK68-00206-0001	Handrail Assembly
FS-026	LSL	0017-00101-1760	Lower Handrail Mounting Screw (4)
FS-027	LSL	0K68-01032-0000	Vertical Upright Tube (2)
FS-028	LSL	0017-00101-1635	Upright Tube Mounting Screw (2)

Shrouds, Boot

Exploded View

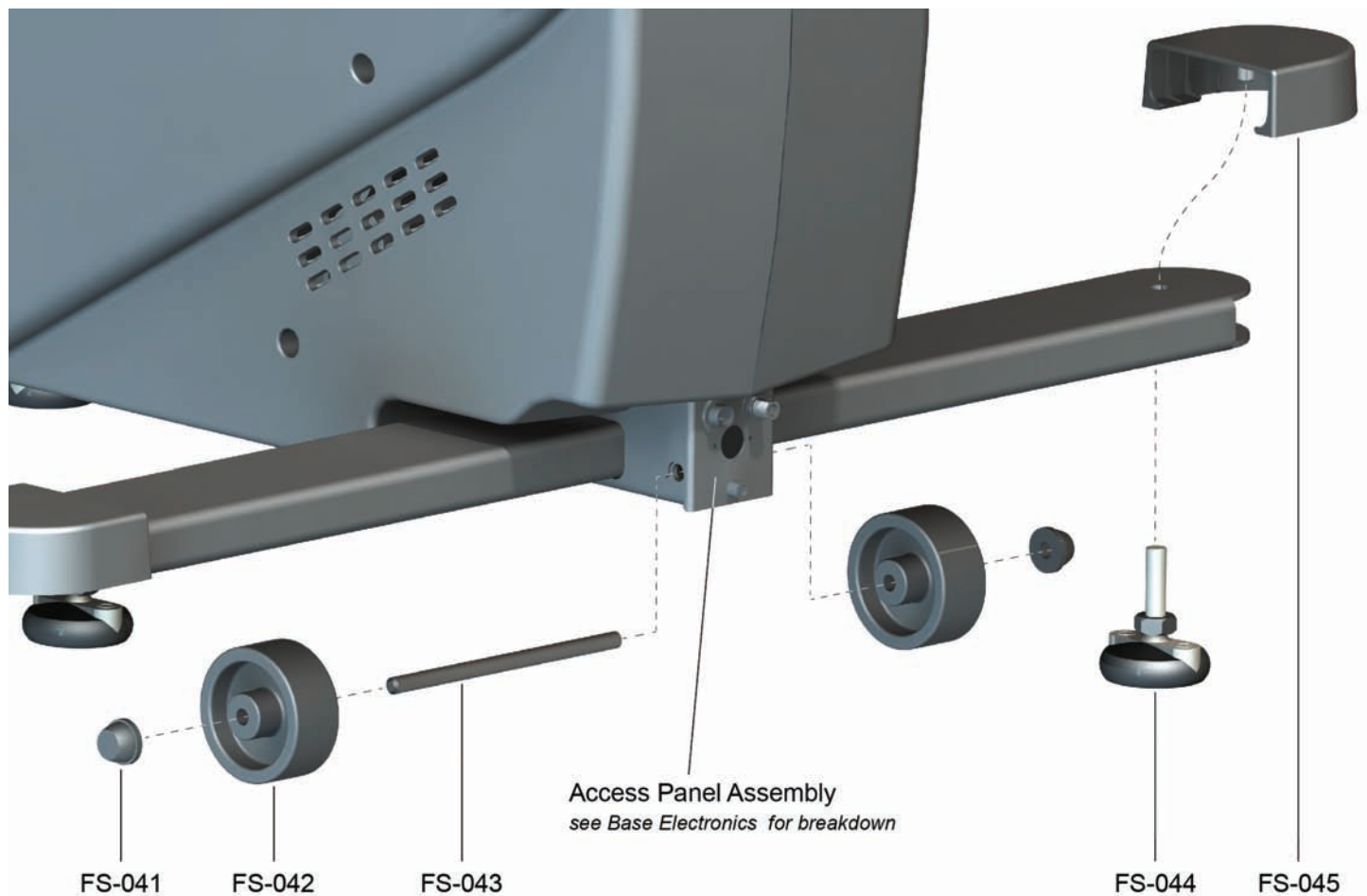


Parts List

Item	Alpha Code	Part Number	Description
FS-031	LSL	0017-00101-1796	Shroud Mounting Screw (8 per Shroud)
FS-032	LSL	0K68-01061-0201	Mono-Column Boot
FS-033	LSL	AK68-00176-0003	Left Shroud Assembly
FS-034	LSL	AK68-00176-0002	Right Shroud Assembly

Access Panel, Wheels and Leg Levelers

Exploded View



Parts List

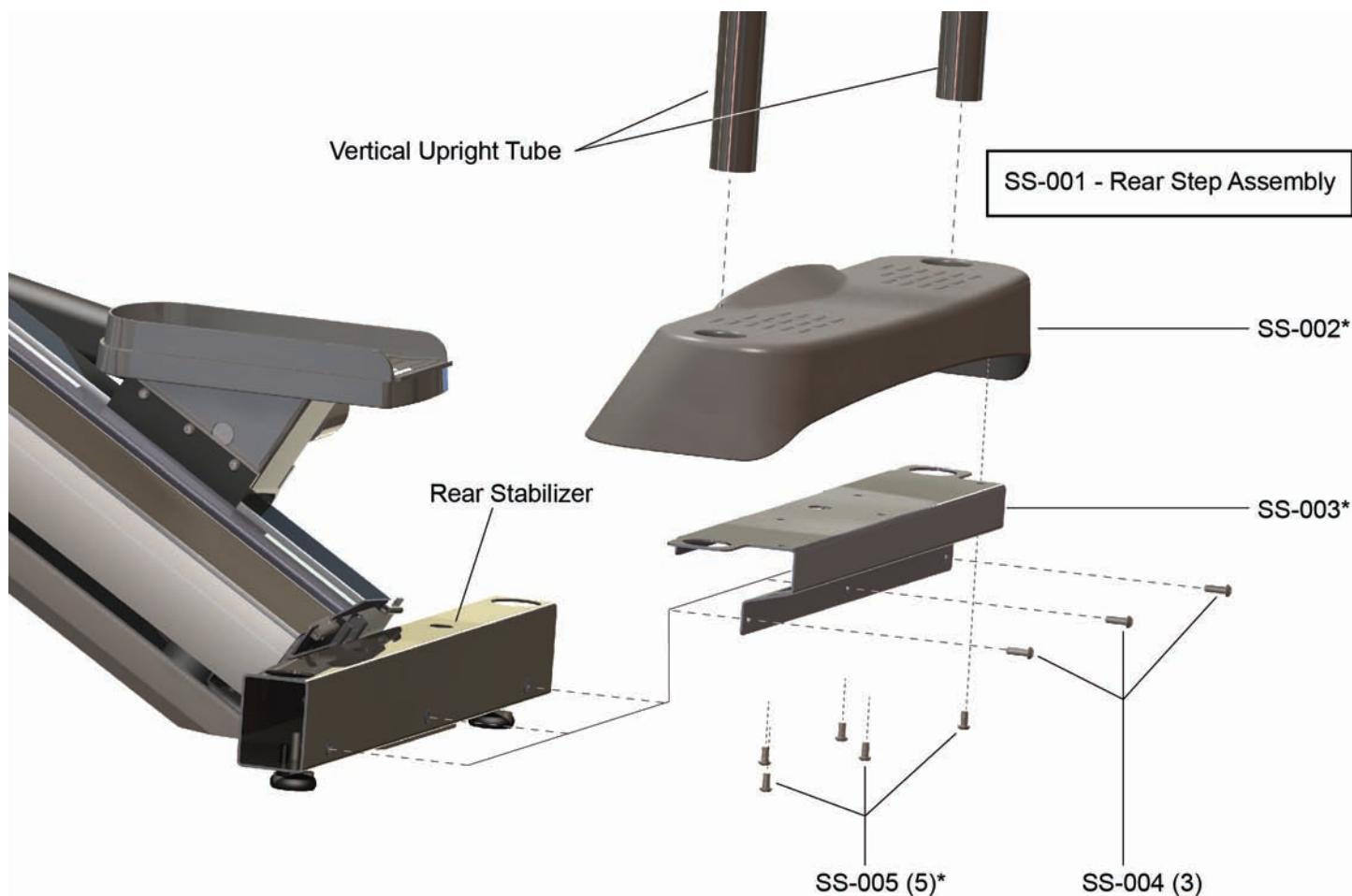
Item	Alpha Code	Part Number	Description
FS-041	LSL	0017-00042-1066	Push-on Cap (2) (see Note 1)
FS-042	LSL	0017-00042-0674	Wheel (2)
FS-043	LSL	0K68-01045-0000	Wheel Shaft
FS-044	LSL	0K68-01047-0000	Leg Leveler (5)
FS-045	LSL	0K68-01129-0201	End Cap (2)

Note 1: It is recommended that a push-on cap be ordered whenever replacing one or both wheels.

Stepping System (SS)

Rear Step Assembly

Exploded View



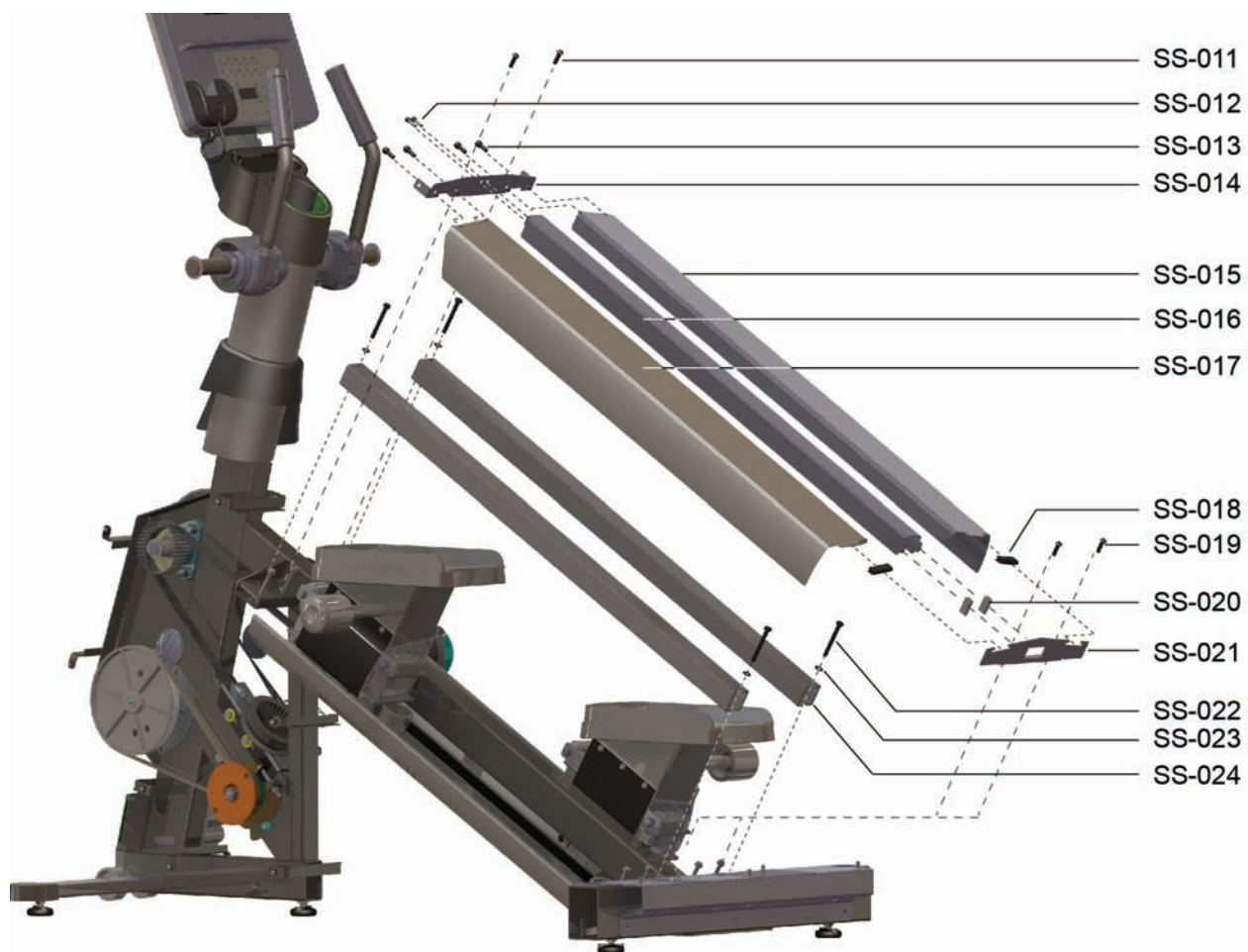
Parts List

Item	Alpha Code	Part Number	Description
SS-001	LSL	AK68-00136-0001	Rear Step Assembly - includes Items in asterisk (*)
SS-002*	LSL	0K68-01020-0201	Rear Step
SS-003*	LSL	see Note 1	Rear Step Mounting Bracket
SS-004	LSL	0017-00101-1903	Step Assembly Mounting Screw (3)
SS-005*	LSL	0017-00101-1759	Bracket to Step Mounting Screw (5)

Note 1: Included with the Rear Step Assembly (Item SS-001) and not available separately.

Pedal Track Cover and Step Assembly

Exploded View

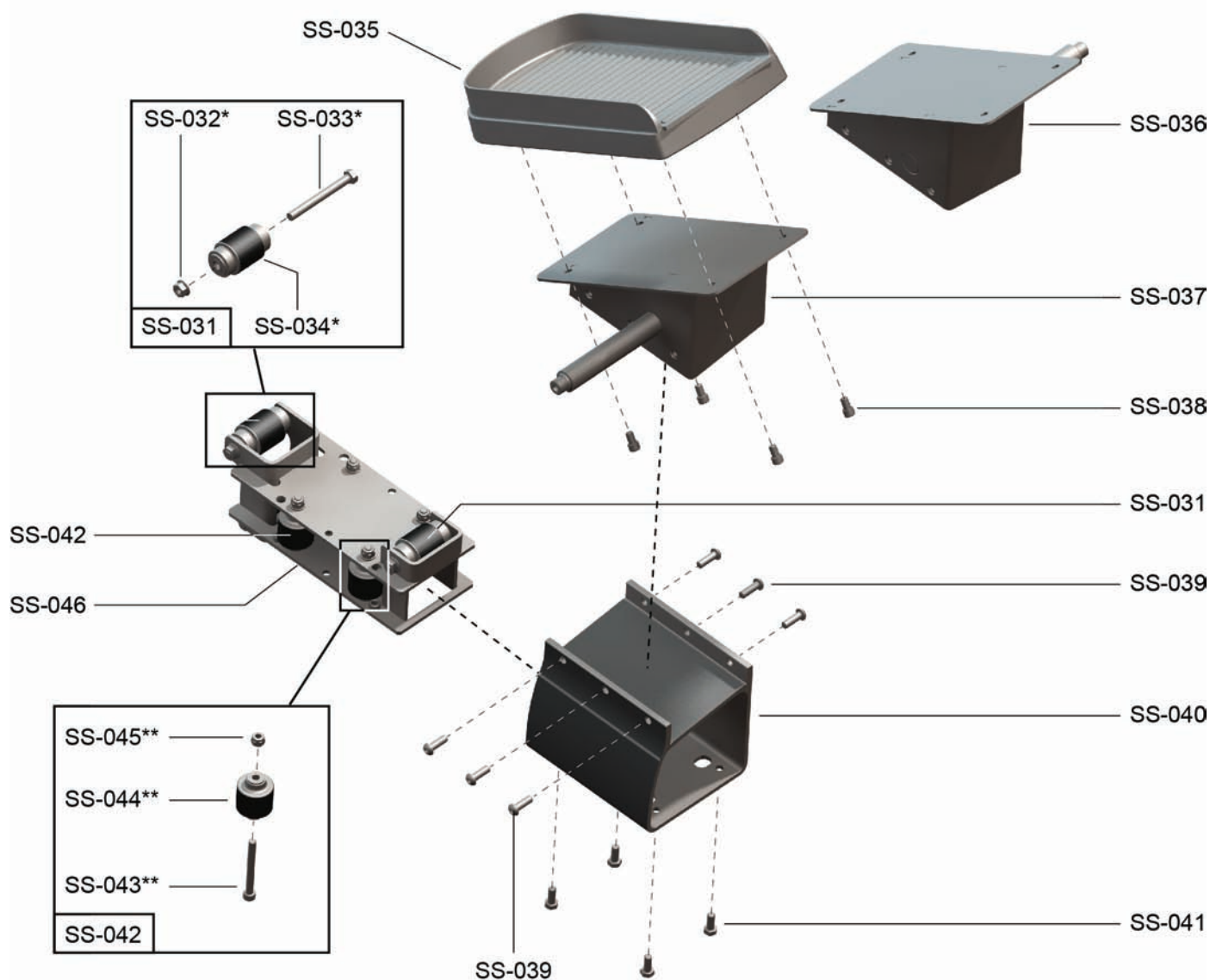


Parts List

Item	Alpha Code	Part Number	Description
SS-011	LSL	0017-00101-1903	Upper Mounting Bracket Screw (2)
SS-012	LSL	0017-00101-1902	Center Cover Assembly Mounting Screw (2)
SS-013	LSL	0017-00101-1881	Track Cover Mounting Screw (4)
SS-014	LSL	0K68-01087-0000	Upper Mounting Bracket for Pedal Track Covers
SS-015	LSL	AK68-00166-0000	Right Pedal Track Cover
SS-016	LSL	AK68-00167-0000	Center Cover Assembly (2)
SS-017	LSL	AK68-00165-0000	Left Pedal Track Cover
SS-018	LSL	0K68-01106-0000	1.250 in. Trimlok (2)
SS-019	LSL	0017-00101-1903	Lower Mounting Bracket Screw (2)
SS-020	LSL	0K68-01105-0000	2.00 in. Trimlok (2)
SS-021	LSL	0K68-01088-0000	Lower Mounting Bracket for Pedal Track Covers
SS-022	LSL	0017-00101-1905	Track Mounting Bolt (2 per Track)
SS-023	LSL	0017-00104-0469	Washer (2 per Track)
SS-024	LSL	0K68-01003-0000	Track (2)

Pedals, Truck and Roller Assembly

Exploded View



Parts List

Item	Alpha Code	Part Number	Description
SS-031	LSL	AK47-00071-0000	Mono Roller and Shaft Assembly (3) - includes Items in asterisk (*)
SS-032*	LSL	0017-00103-0324	Nut (1 per roller)
SS-033*	LSL	0017-00101-1730	Mounting Screw (1 per roller)
SS-034*	LSL	see Note 1	Mono Roller and Shaft
SS-035	LSL	0K53-01027-0205	Pedal (left or right)
SS-036	LSL	AK68-00129-0000	Right Pedal Adaptor
SS-037	LSL	AK68-00127-0000	Left Pedal Adaptor
SS-038	LSL	0017-00101-1912	Pedal Mounting Screw (4)
SS-039	LSL	0017-00101-1903	Pedal Adaptor Mounting Screw (6)
SS-040	LSL	AK68-00113-0000	Pedal and Interface Assembly
SS-041	LSL	0017-00101-1906	Mounting Screw (4)
SS-042	LSL	AK68-00217-0000	Mini Mono and Shaft Assembly (4) - includes Items in asterisk (**)

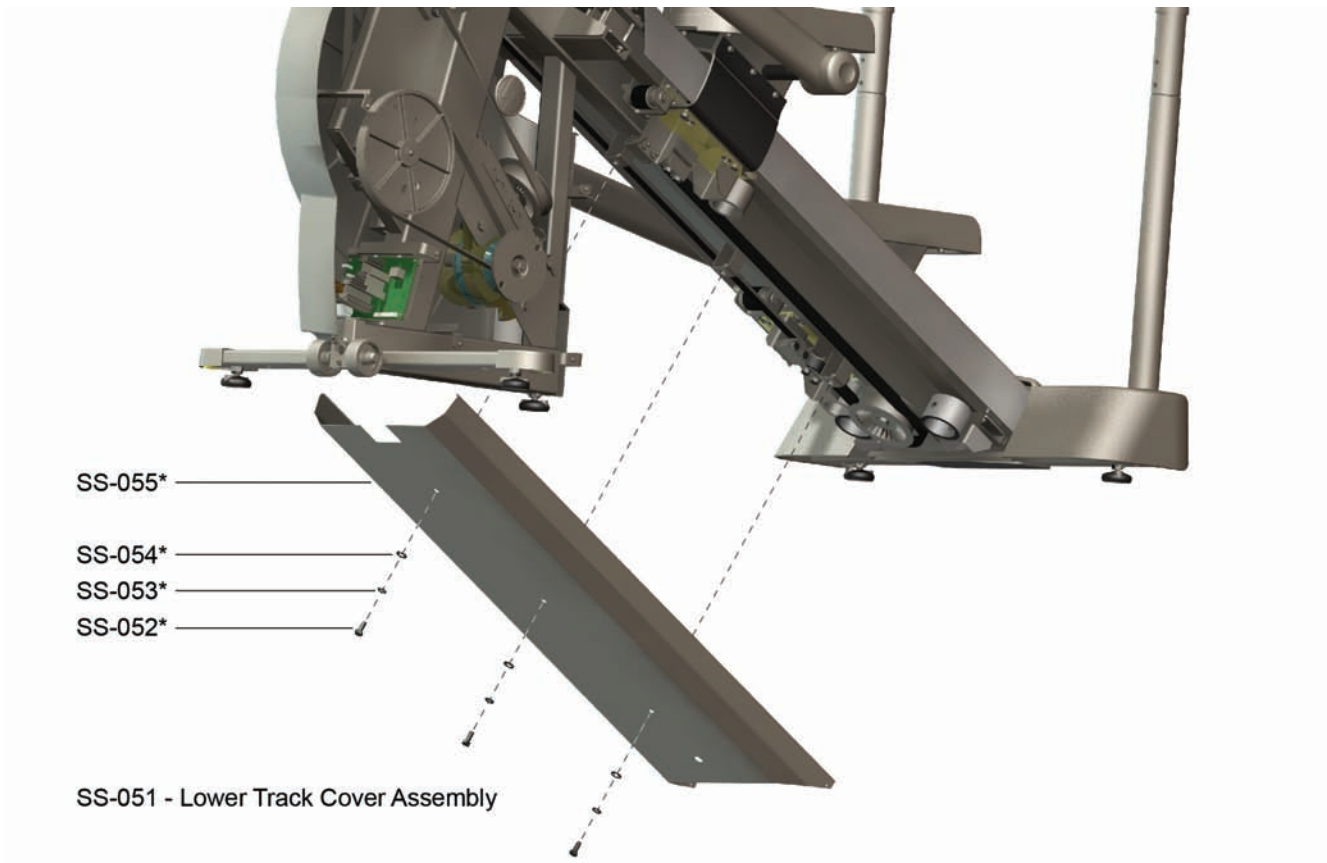
SS-043**	LSL	0017-00101-1908	Mounting Screw (1 per roller)
SS-044**	LSL	see Note 2	Mini Mono and Shaft
SS-045**	LSL	0017-00103-0333	Nut (1 per roller)
SS-046	LSL	AK68-00110-0000	Truck and Roller Assembly

Note 1 - not available individually; included in Mono Roller and Shaft Assembly (Item SS-031).

Note 2 - not available individually; included in Mini Mono and Shaft Assembly (Item SS-046).

Lower Track Cover and Hardware

Exploded View



Parts List

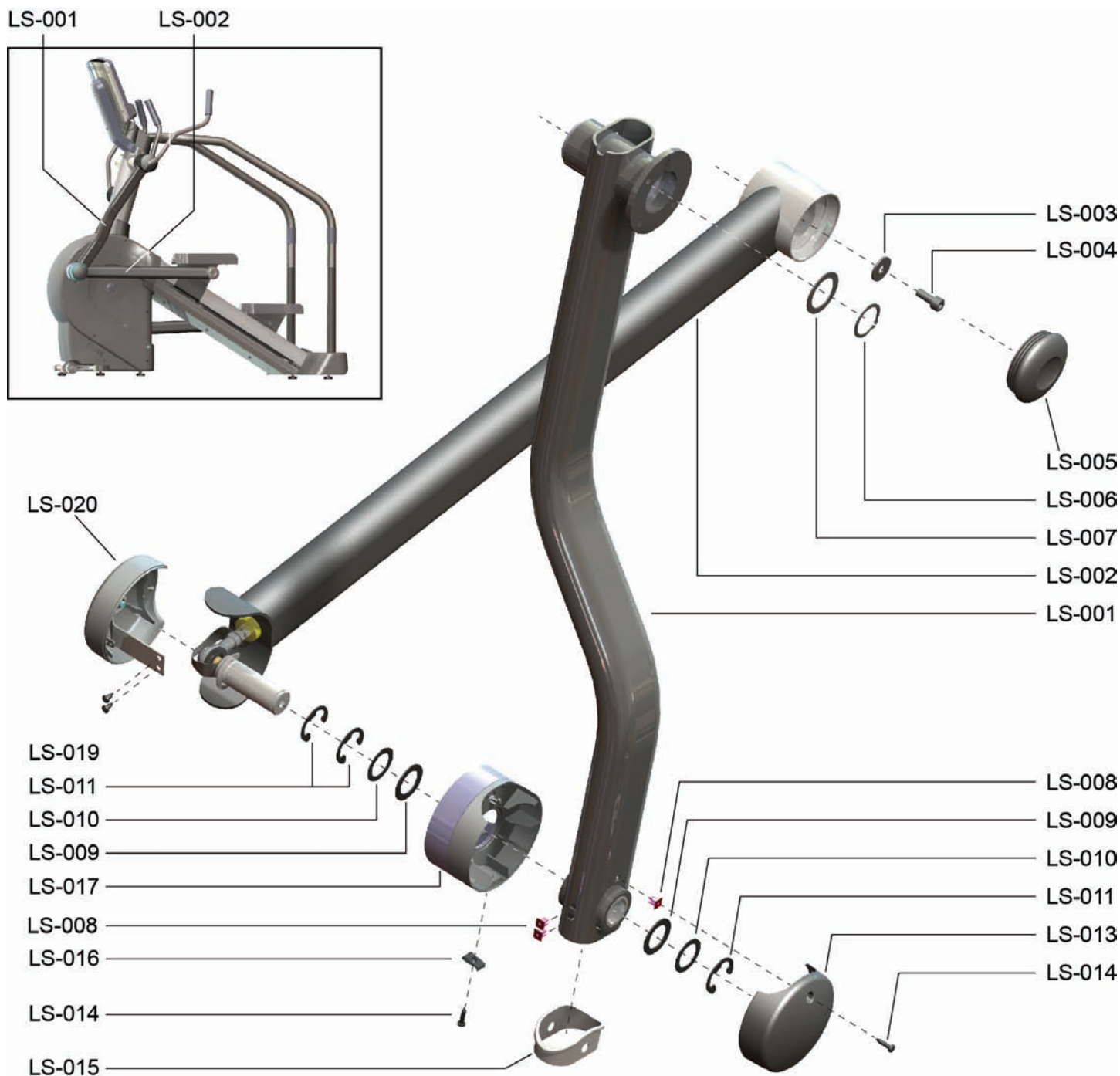
Item	Alpha Code	Part Number	Description
SS-051	LSL	AK68-00220-0000	Lower Track Cover Assembly - includes Items in asterisk (*)
SS-052*	LSL	0017-00101-1906	Mounting Screw (3)
SS-053*	LSL	0017-00104-0479	Flat Washer
SS-054*	LSL	0017-00104-0485	Washer, Nylon (3)
SS-055*	LSL	see Note 1	Lower Track Cover

Note 1 - not available individually; included in Lower Track Cover Assembly (Item SS-051).

Linkage System (LS)

Rocker Arm and Control Link Assembly

Exploded View



Parts List

Note 1 - All parts and assemblies listed below are applicable to the right or left Rocker Arm and Control Link assemblies except where indicated otherwise.

Item	Alpha Code	Part Number	Description
LS-001	LSL	AK68-00125-0002	Rocker Arm Assembly
LS-002	LSL	AK68-00147-0001	Control Link Assembly

LS-003	LSL	0017-00104-0479	Washer
LS-004	LSL	0017-00101-1881	Control Link Mounting Screw
LS-005	LSL	0K61-01283-0002	Cap
LS-006	LSL	0017-00100-0178	Retaining Ring
LS-007	LSL	0017-00104-0418	Washer
LS-008*	LSL	0017-00042-0754	Grommet (1)
LS-009	LSL	0K47-01104-0000	Washer (2)
LS-010	LSL	0K47-01105-0000	Washer (2)
LS-011	LSL	0017-00100-0107	Retaining Ring (2)
LS-012	LSL	GK68-00002-0004	Outer Cover Kit - includes Items in asterisk (*)
LS-013*	LSL	see Note 1	Cover
LS-014*	LSL	0017-00101-1796	Screw (2)
LS-015*	LSL	see Note 1	Seal
LS-016*	LSL	see Note 1	VMI Nut, Type-U
LS-017	LSL	AK68-00154-0204	Left Clevis Cover Assembly
LS-018	LSL	AK68-00154-0203	Right Clevis Cover Assembly
LS-019	LSL	0017-00101-1846	Bracket to Rocker Mounting Screw (2)
LS-020	LSL	AK68-00207-0001	Inner Link Cover Assembly with Bracket

Wiring

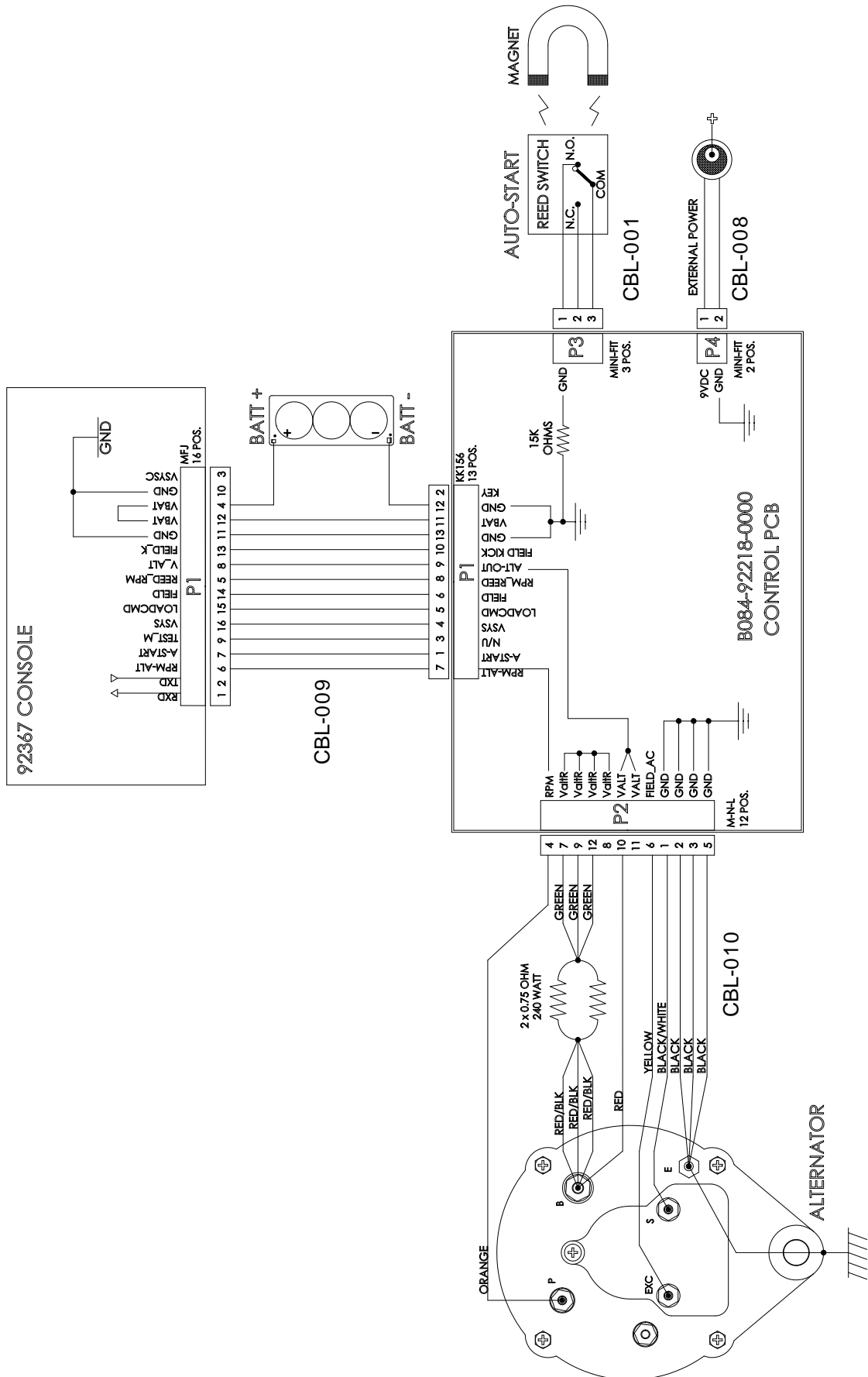
Cable Chart

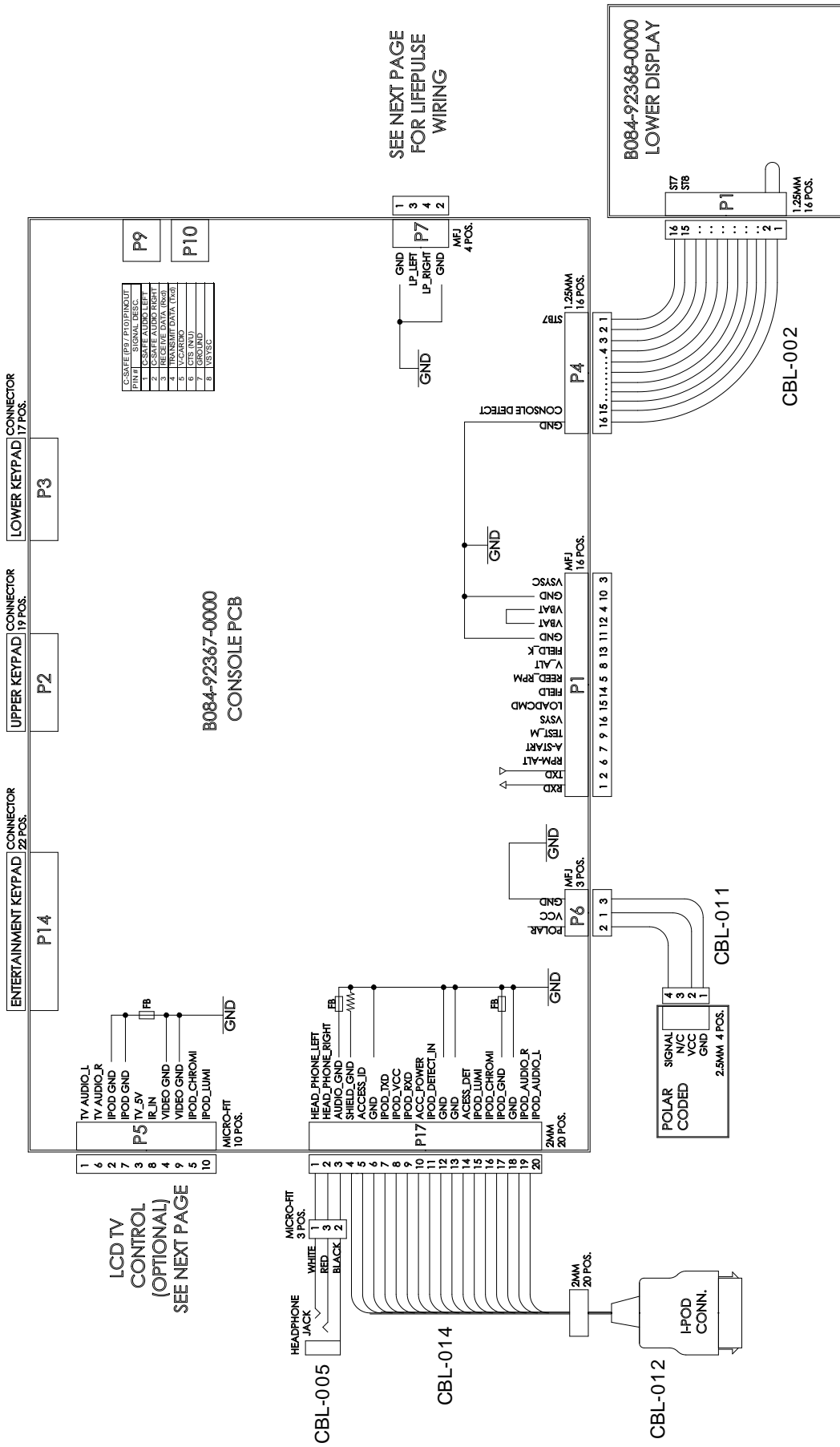
Item	Alpha Code	Part Number	Description
CBL-001	LSL	118E-00001-0140	Switch:Reed; SPST
CBL-002	LSL	118E-00001-0266	FFC 16 Pin 1.25mm, 7 in.
CBL-003	LSL	AK32-00020-0002	Cbl-Assy: Coax, 120 in.
CBL-004	LSL	AK32-00078-0001	Cbl-Assy: Pwr Ext, 120 in.
CBL-005	LSL	AK32-00124-0002	Cbl-Assy: Headphone Jack, 3.5mm
CBL-006	LSL	AK47-00028-0000	Cbl-Assy: Lifepulse/Console
CBL-007	LSL	AK47-00029-0000	Cbl-Assy: Lifepulse
CBL-008	LSL	AK47-00063-0002	Cbl-Assy: DC Power
CBL-009	LSL	AK62-00093-0001	Cbl-Assy: Console, LED, Main, 90 in.
CBL-010	LSL	AK68-00156-0000	Cbl-Assy: Alternator, Resistors
CBL-011	LSL	AK69-00157-0000	Cbl-Assy: Polar
CBL-012	LSL	AK86-00001-0200	Cbl-Assy: iPod, non-Tread
CBL-013	LSL	AK86-00002-0000	Cbl-Assy: TV Control, non-Tread
CBL-014	LSL	AK86-00003-0000	Cbl-Assy: Console iPod, non-Tread

To find the part number for a cable, identify the cable item number in the wiring diagrams on the following pages. Then locate that number in the table above and match it with the corresponding part number.

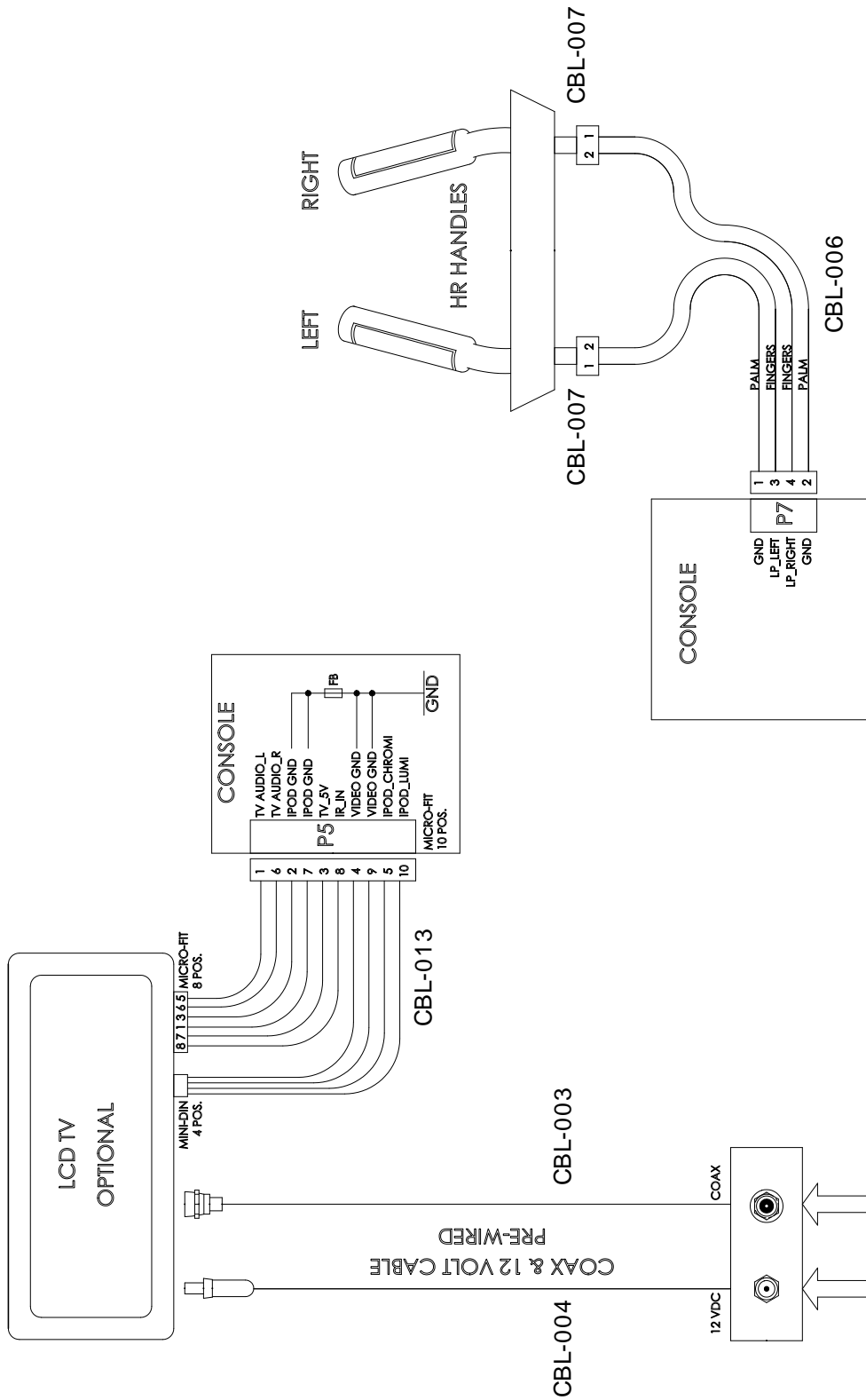
Wiring Diagrams

Control PCB





LCD TV and HR Handles



Free Manuals Download Website

<http://myh66.com>

<http://usermanuals.us>

<http://www.somanuals.com>

<http://www.4manuals.cc>

<http://www.manual-lib.com>

<http://www.404manual.com>

<http://www.luxmanual.com>

<http://aubethermostatmanual.com>

Golf course search by state

<http://golfingnear.com>

Email search by domain

<http://emailbydomain.com>

Auto manuals search

<http://auto.somanuals.com>

TV manuals search

<http://tv.somanuals.com>