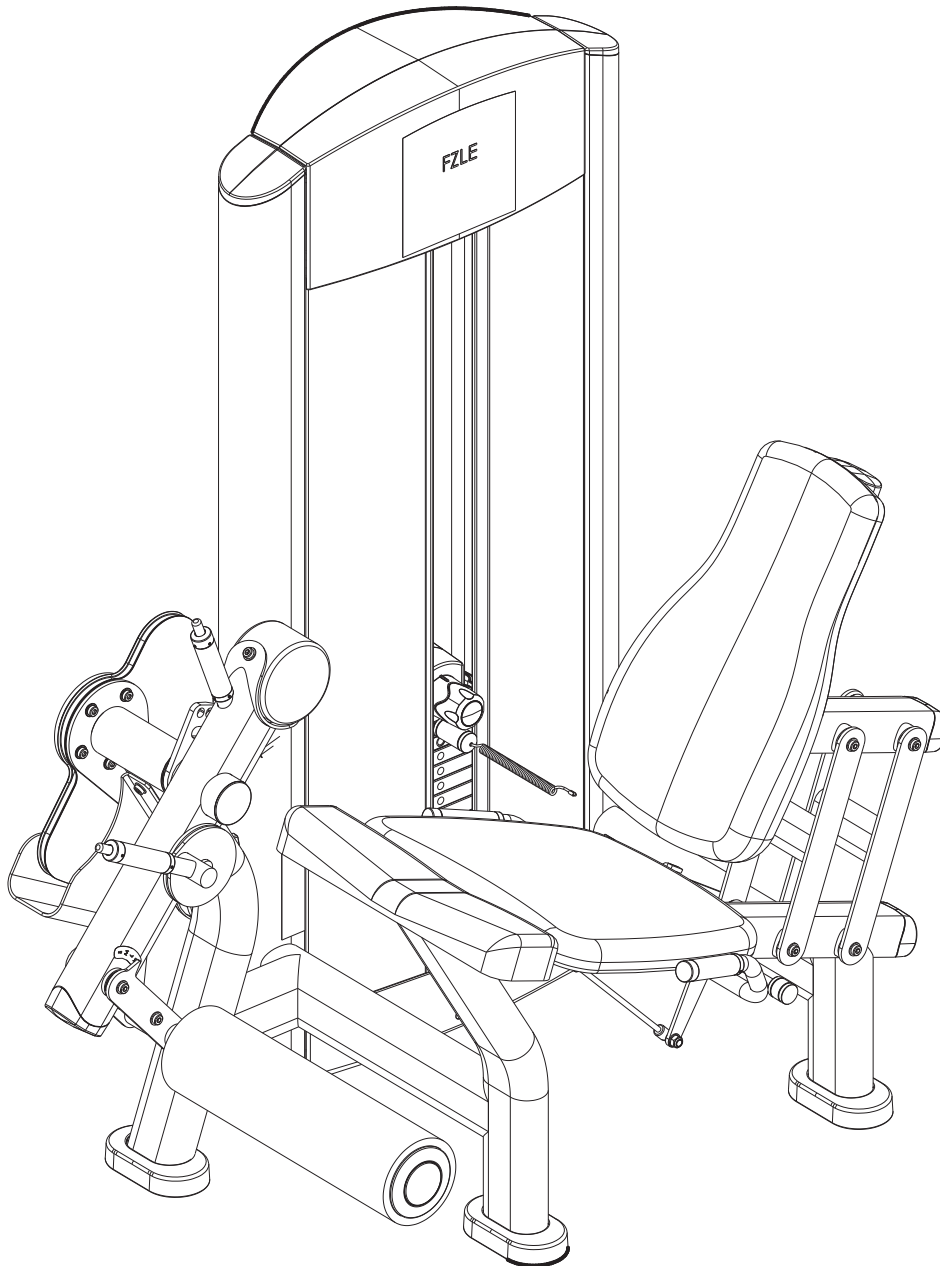




SIGNATURE SERIES
FZLE LEG EXTENSION

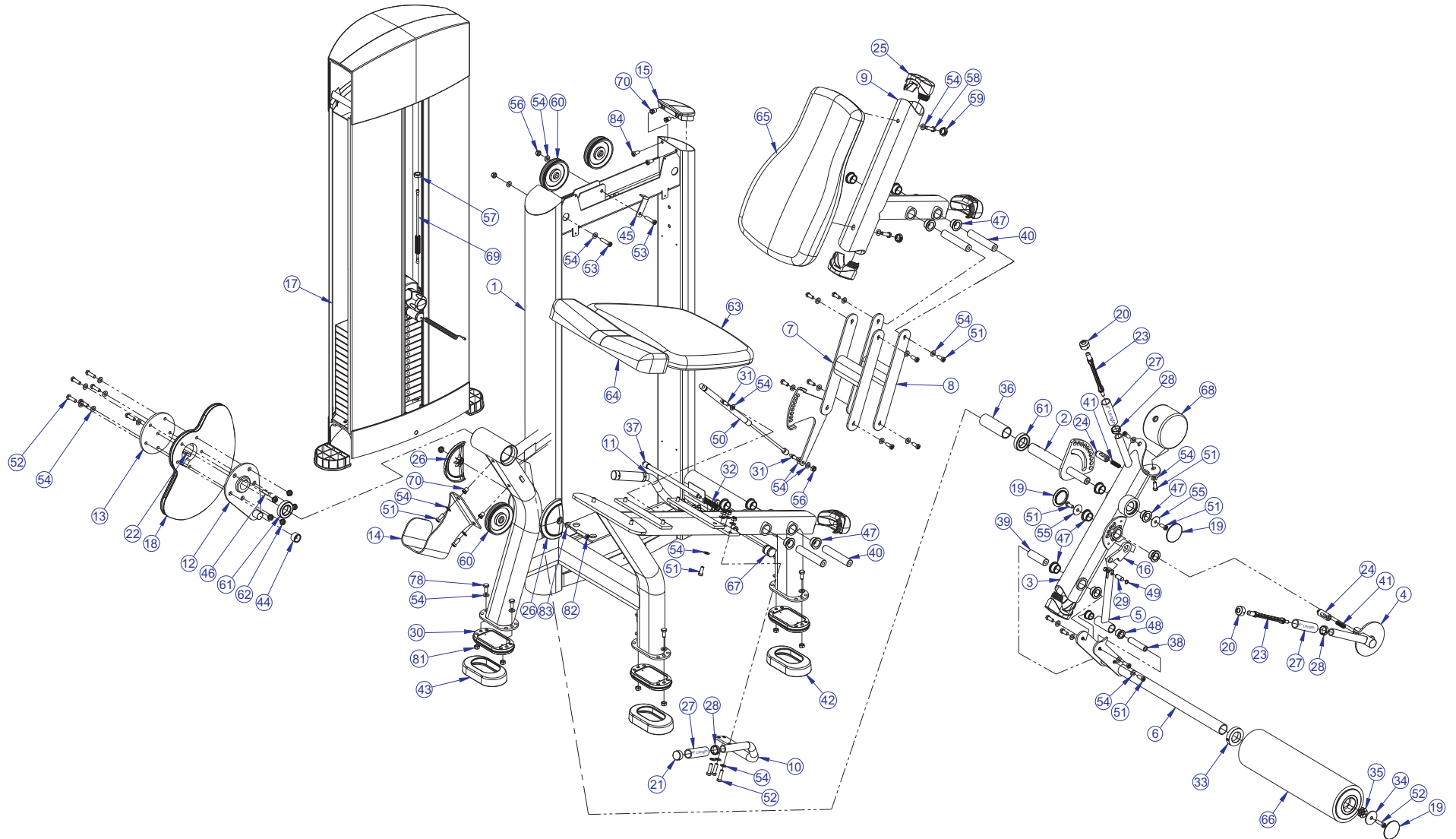


Customer Support Services
PARTS MANUAL

FZLE LEG EXTENSION CONTENTS

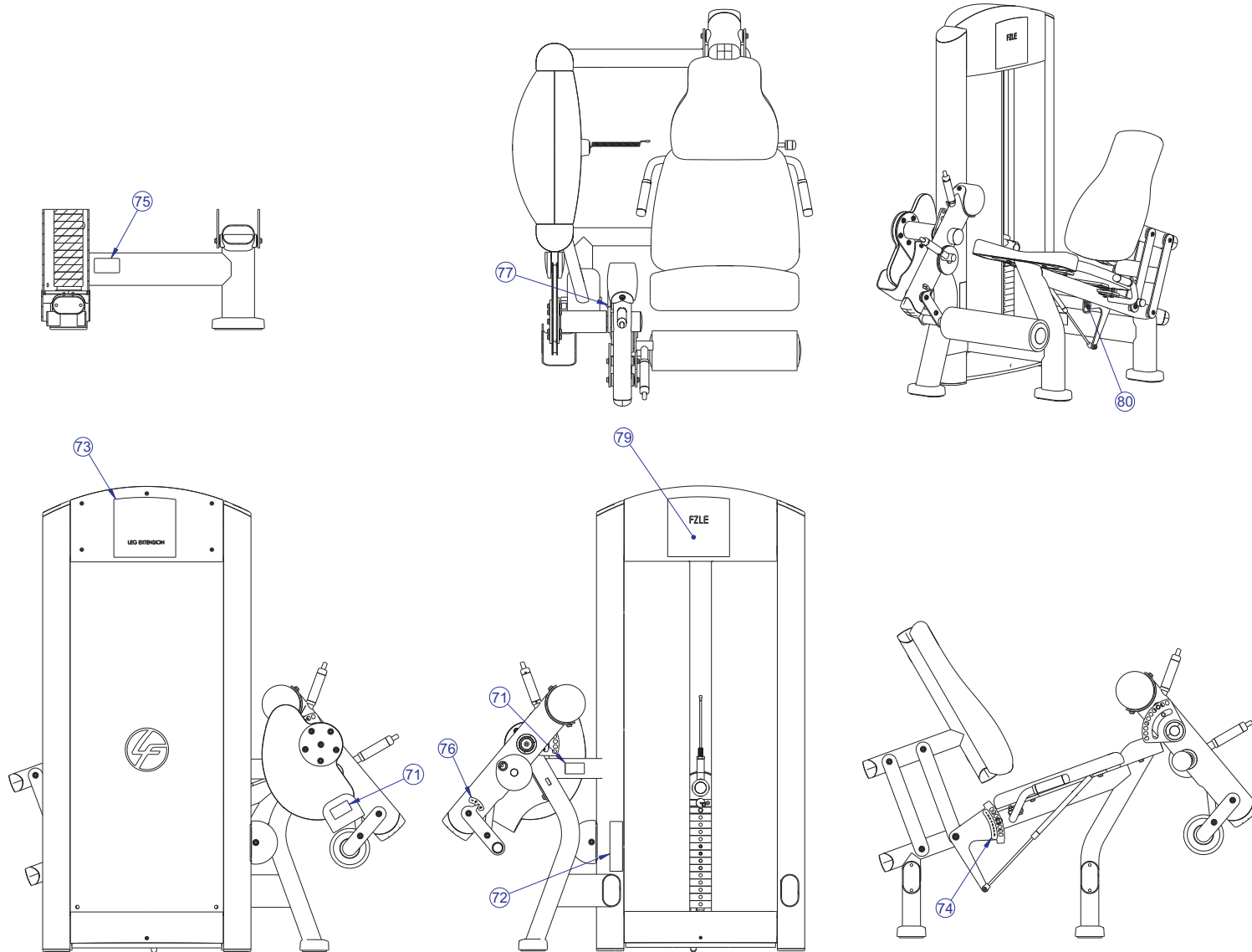
	PAGE
COMPONENT ASSEMBLY	3
COMPONENT ASSEMBLY II	4
COMPONENT ASSEMBLY LEGEND	5
MID-14 TOWER ASSEMBLY	6
PLASTIC TOWER ASSEMBLY	7
MID-14 WEIGHT STACK ASSEMBLY	8
5 LB. INCREMENT WEIGHT ASSEMBLY	9
10 LB. INCREMENT WEIGHT ASSEMBLY	10
15 LB. INCREMENT WEIGHT ASSEMBLY	11
HEAD PLATE ASSEMBLY	12
HEAD PLATE ASSEMBLY LEGEND	13
IMAGE	14

FZLE LEG EXTENSION COMPONENT ASSEMBLY



SEE PAGE 5 FOR LEGEND

FZLE LEG EXTENSION COMPONENT ASSEMBLY

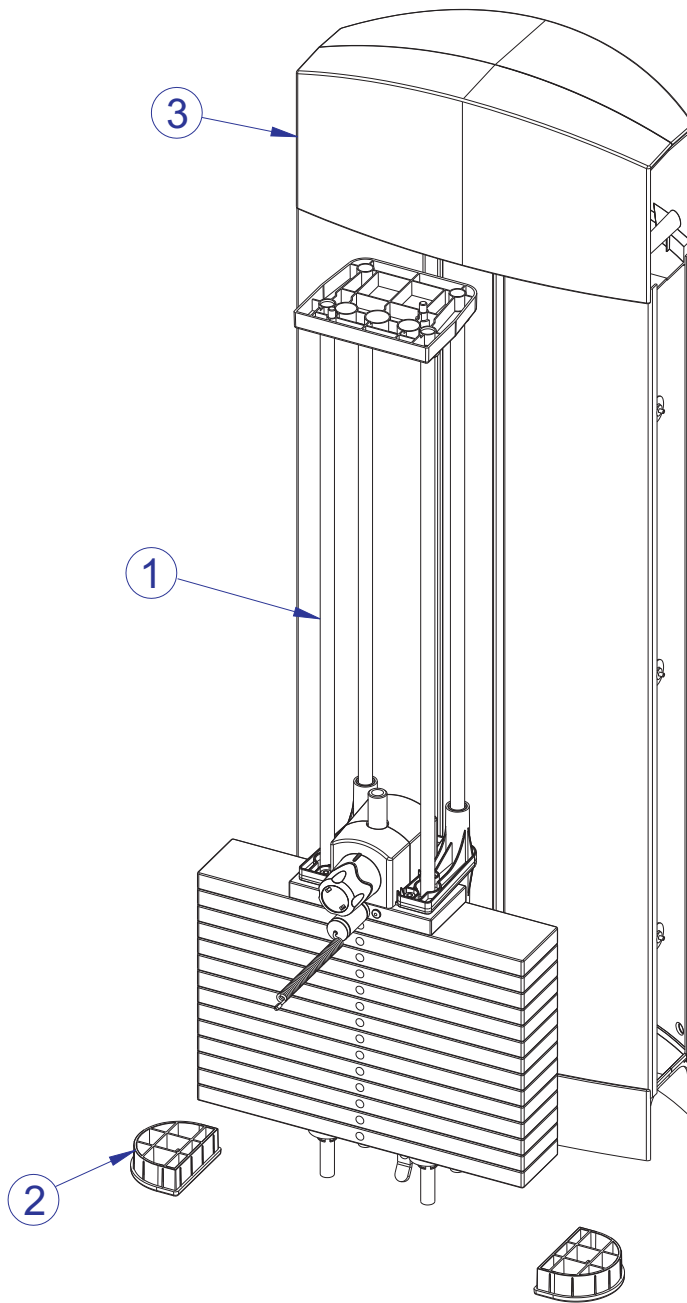


SEE PAGE 5 FOR LEGEND

FZLE LEG EXTENSION COMPONENT ASSEMBLY LEGEND

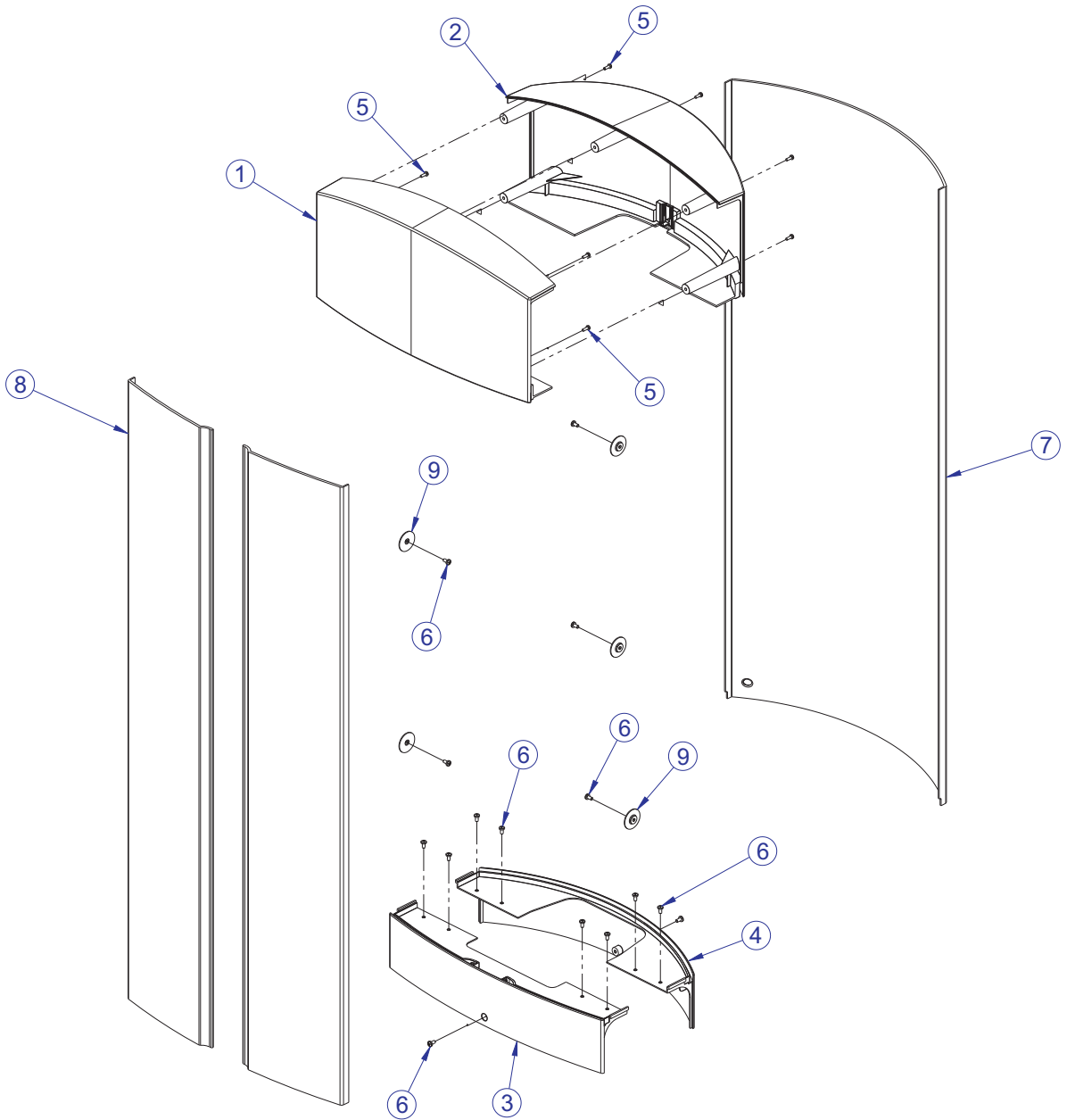
ITEM NO.	QTY.	PART NO.	DESCRIPTION	ITEM NO.	QTY.	PART NO.	DESCRIPTION
1	1	7319201	WLDMT, FZLE, FRAME	43	1	7419601	COVER, FOOT-20 DEG.
2	1	7774601	WLDMT, FZLE ADJ START	44	1	7690101	BUMPER, SLEEVE - 1 INCH DIA
3	1	7320701	WLDMT, FZLE, PIVOT ARM	45	1	6757701	CLIP, CABLE 2-7/8 X 1 X 1
4	1	7322401	WLDMT, FZLE, TIBIA ADJ HANDLE	46	1	7511601	KEY, .375 SQUARE X 1.25
5	1	7324501	WLDMT, FZLE, TIBIA ADJ LINK	47	14	3104903	1.00" ID 1.25" OD BRONZ BUSHING
6	1	7321901	WLDMT, FZLE, ROLLER PAD SPVRT	48	2	3104901	.75" ID 1.00" OD BRONZE BUSHING
7	1	7411101	WLDMT, FZ, 4-BAR INDEX	49	2	3232409	RING, RETAINING, EXTERNAL
8	1	7411001	WLDMT, FZ, 4-BAR	50	1	3235701	SPRING, GAS 150N
9	1	7410901	WLDMT, FZ, BACK PAD SPVRT	51	24	3236202	SCREW, M10 X1.5 25MM
10	1	7517401	WLDMT, FZ, HANDLE LEFT	52	13	3236204	SCREW, M10 X1.5 35MM
11	1	7517501	WLDMT, FZ, HANDLE RIGHT	53	2	3236206	SCREW, M10 X1.5 45MM
12	1	7323101	WLDMT, FZLE, CAM SPVRT	54	54	3236601	WASHER, 3/8 SAE SS
13	1	7329101	PLATE, FZ, CAM COVER	55	2	3236701	WASHER, FENDER 3/8"ID X 1.5"OD SS
14	1	7517101	BRKT, FZLE, CAM GUARD	56	9	3236801	NUT, M10 HEX NYLOCK SS
15	2	7326201	CAP, D-TUBE - TOP	57	1	3236902	NUT, M16 X 2 HEX JAM SS
16	1	7329601	PLATE, TIBIA LINK	58	2	3251204	SCREW, M10 X1.5 X 35MM HEX ZN
17	1	7420401	ASSY, MID TOWER-14	59	2	3237403	PLUG, 1" HOLE
18	1	7329901	CAM, FZLE	60	3	3237801	PULLEY, 4.5" OD
19	3	7308701	CAP, BEARING HOUSING	61	2	3243201	BEARING, 6007 BALL
20	2	7663001	CAP, GRIP W/HOLE 1.25 OD	62	6	7335401	NUT, M10 X 1.5 SOCKET HEAD
21	2	7662900	CAP, GRIP	63	1	74015XX	PAD, SEAT LE/SLC
22	1	7342201	PLATE, CABLE END	64	1	77678XX	PAD, SEAT LEADING EDGE
23	2	7780101	ROD, PUSH PIN	65	1	74741XX	PAD, LARGE BACK
24	2	8032401	PIN, PUSH	66	1	73928XX	ASSY, ROLLER PAD - LONG
25	5	7333901	CAP, LARGE FLOV- END	67	1	7424801	KNOB, POP PIN
26	2	8094101	COVER, PULLEY-BOLTED PARTIAL	68	1	7801901	COUNTER WEIGHT, SMALL - COATED
27	4	3235801	GRIP, 1.25" OD X 4" FZLE	69	1	7423708	CABLE, FZLE 118-3/4
28	4	7662801	RING, GRIP 1.25 OD	70	6	3238601	M10X1.5 THREADED INSERT (HEX)
29	1	7331702	SHAFT, PIVOT X 1.040	71	2	7422003	LABEL, MOVING PARTS
30	3	7334001	FOOT, 2.50 X 4.49 FLOV	72	1	7422004	LABEL, 2" ASTM WARN
31	2	7414301	STUD, M10 BALL END M10 X 1.5	73	1	7507601	LABEL, FZAB PLACARD REAR
32	1	7351501	SPRING; PULL PIN LARGE	74	1	7524101	LABEL, 1-8 CURVED
33	1	7357901	SHAFT COLLAR, 1-1/2" ID ALUM	75	1	7571301	LABEL, SERIAL NUMBER
34	1	7322301	PLATE, 1.97 OD X .44 ID 10GA	76	1	7524201	LABEL, S-XL CURVED
35	1	7347301	NUT, SPIDER M10 X 1.5	77	1	7777801	LABEL, 12-3 STRAIGHT
36	1	7511504	SPACER, FZ/PS INTERNAL 4.845	78	6	3251202	SCREW, M10 X1.5 X 25MM HEX ZN
37	1	7425101	PIN, PULL X 12.25	79	1	7507501	LABEL, FZLE PLACARD FRONT
38	1	7324801	SHAFT, TAPPED 0.75 DIA X 3.330	80	1	7794301	LABEL, 1-8 CURVED INSIDE
39	1	7324901	SHAFT, TAPPED 1 DIA X 3.330	81	6	3254703	NUT, M10 X 1.5 HEX ZINC
40	4	7324902	SHAFT, TAPPED 1 DIA X 5.330	82	1	3236207	SCREW, M10 X1.5 50MM
41	2	8024501	SPRING, 1/2 OD X 1-1/2	83	1	7630101	RETAINER, CM/MJ, PULLEY
42	2	7340201	COVER, FOOT - STRAIGHT	84	4	3236201	SCREW, M10 X1.5 20MM

FZLE LEG EXTENSION MID-14 TOWER ASSEMBLY - 7420401



ITEM NO.	QTY.	PART NO.	DESCRIPTION
1	1	7420101	ASSY, WEIGHT STACK MID-14
2	2	7326301	CAP, D-TUBE-BTM
3	1	7419801	ASSY, TOWER PLASTICS-MID

FZLE LEG EXTENSION PLASTIC TOWER ASSEMBLY - 7419801

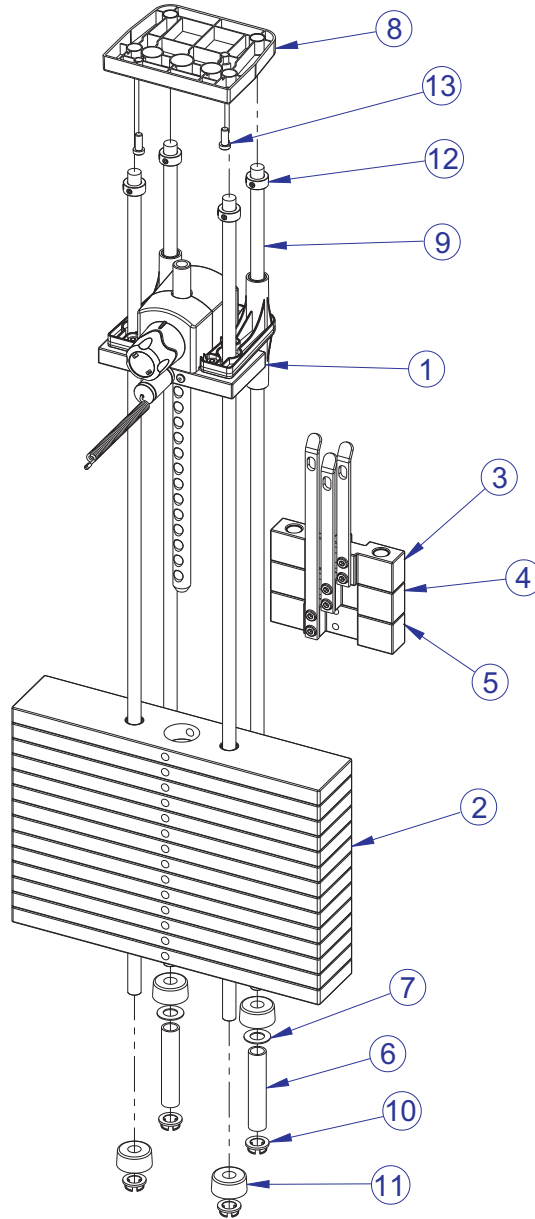


ITEM NO.	QTY.	PART NO.	DESCRIPTION
1	1	7318601	COVER, TOWER- TOP FRONT
2	1	7318701	COVER, TOWER- TOP REAR
3	1	7318801	COVER, TOWER- BOTTOM FRONT
4	1	7318901	COVER, TOWER- BOTTOM REAR
5	9	3236501	M4 X 0.7 PHL PAN MS ST ZN
6	16	3239101	SCREW, M5X10 PHL PAN TT ST
7	1	7765701	SHROUD, TOWER- REAR SHORT
8	2	7765601	SHROUD, TOWER- FRT SHORT RH
9	6	7583501	RETAINER, FZ SHROUD

FZLE LEG EXTENSION MID-14 WEIGHT STACK ASSEMBLY - 7420101

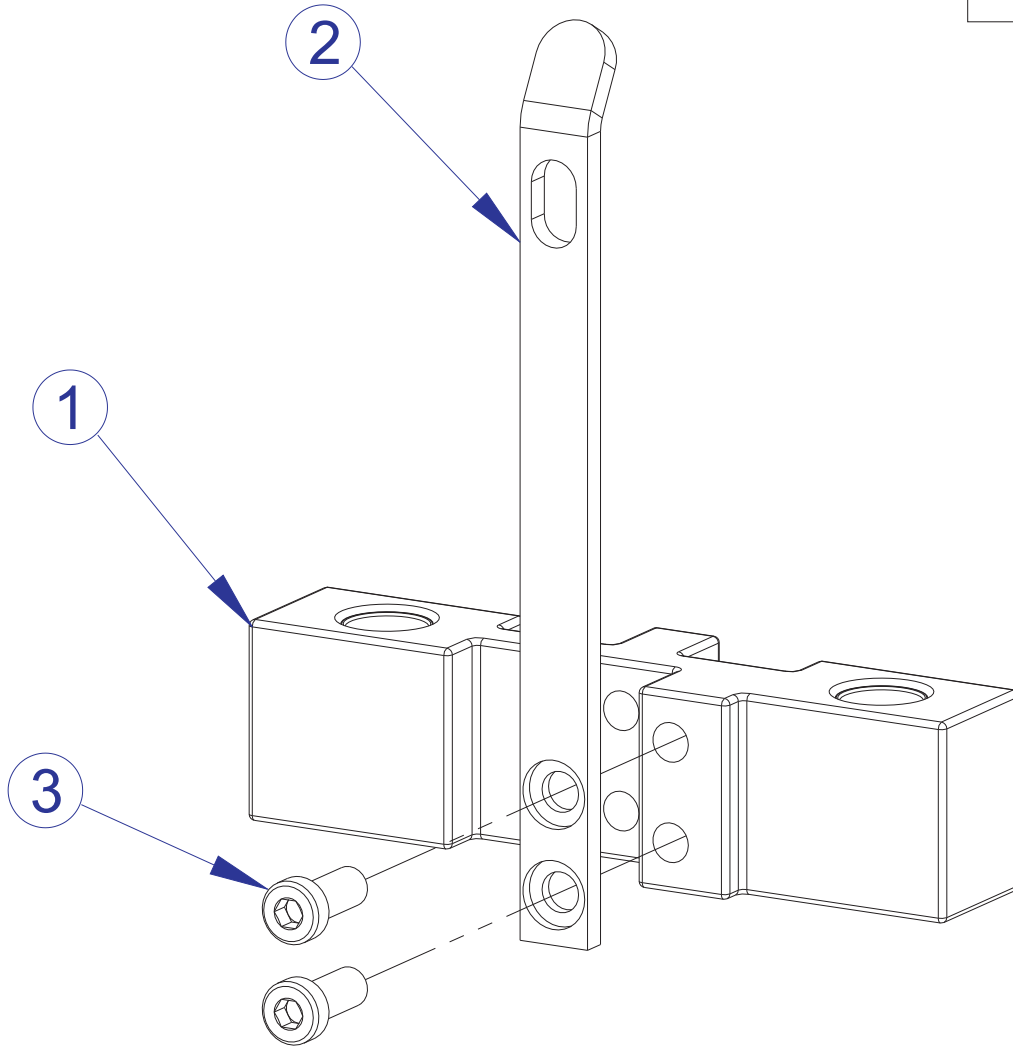
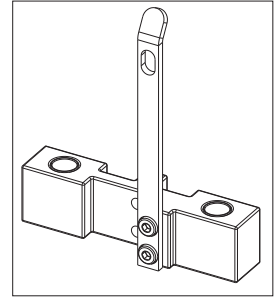
WEIGHT STACK LABELS

7927201	LABEL, 390 LB STACK
7927301	LABEL, 195 KG STACK



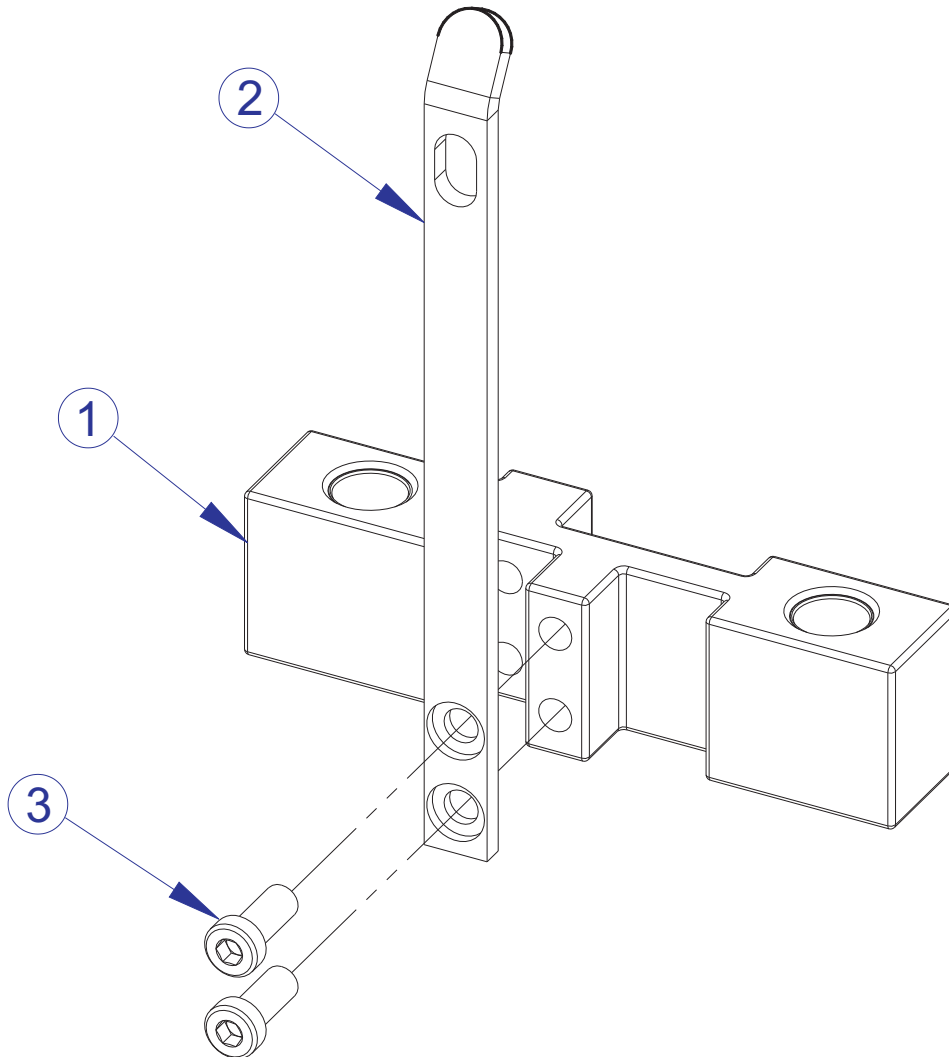
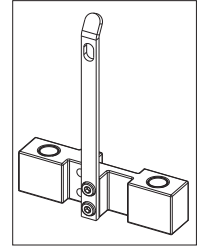
ITEM NO.	QTY.	PART NO.	DESCRIPTION
1	1	7350701	ASSY, HEAD PLATE (14)
2	14	7328401	WEIGHT PLATE, 20 LB
3	1	7327601	ASSY, INCREMENT WT-5LB
4	1	7327701	ASSY, INCREMENT WT-10LB
5	1	7327801	ASSY, INCREMENT WT-15LB
6	2	7328701	SPACER, INC WT STACK 14 PLT
7	2	7351001	SPACER, INC WT STACK
8	1	7621101	RETAINER, GUIDE ROD-TOP
9	4	7328602	GUIDE ROD, .75 OD SOLID X 53.50
10	4	7337901	BUSHING, GUIDE ROD
11	4	7352101	CUSHION, WEIGHT STACK
12	4	3103301	SHAFT COLLAR, 3/4" ID ZINC
13	2	3236202	M10 X 1.5 X 25 HXS SOC CS SS

FZLE LEG EXTENSION 5 LB. INCREMENT WEIGHT ASSEMBLY - 7327601



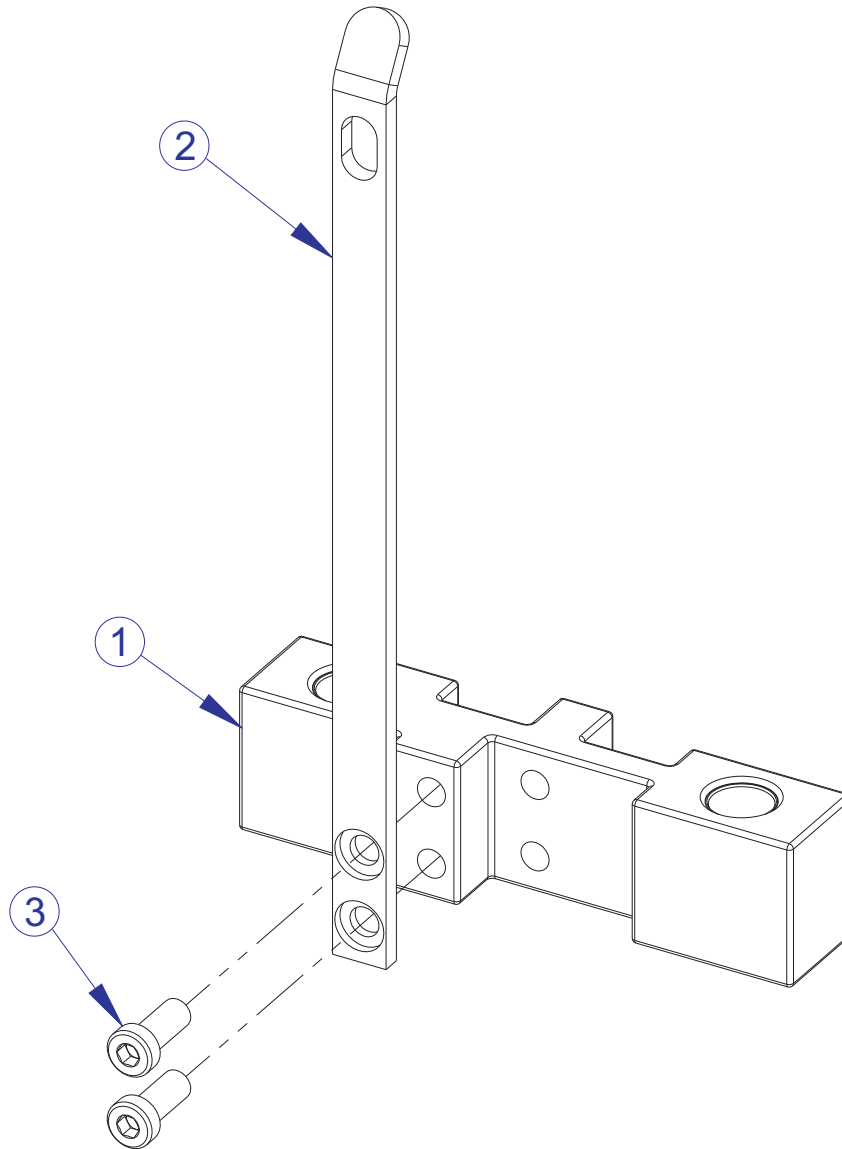
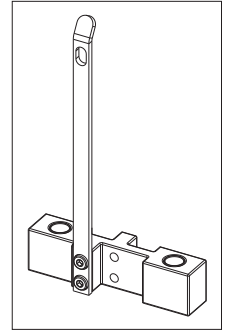
ITEM NO.	QTY.	PART NO.	DESCRIPTION
1	1	7968501	ASSY, FZ INC WEIGHT 5LB
2	1	7328001	BRKT, INCREMENT WT - 5 LB
3	2	3236202	SCREW, M10 X1.5 25MM

FZLE LEG EXTENSION 10 LB. INCREMENT WEIGHT ASSEMBLY - 7327701



ITEM NO.	QTY.	PART NO.	DESCRIPTION
1	1	7968501	ASSY, FZ INC WEIGHT 5LB
2	1	7328101	BRKT, INCREMENT WT - 10 LB
3	2	3236202	SCREW, M10 X1.5 25MM

FZLE LEG EXTENSION 15 LB. INCREMENT WEIGHT ASSEMBLY - 7327801

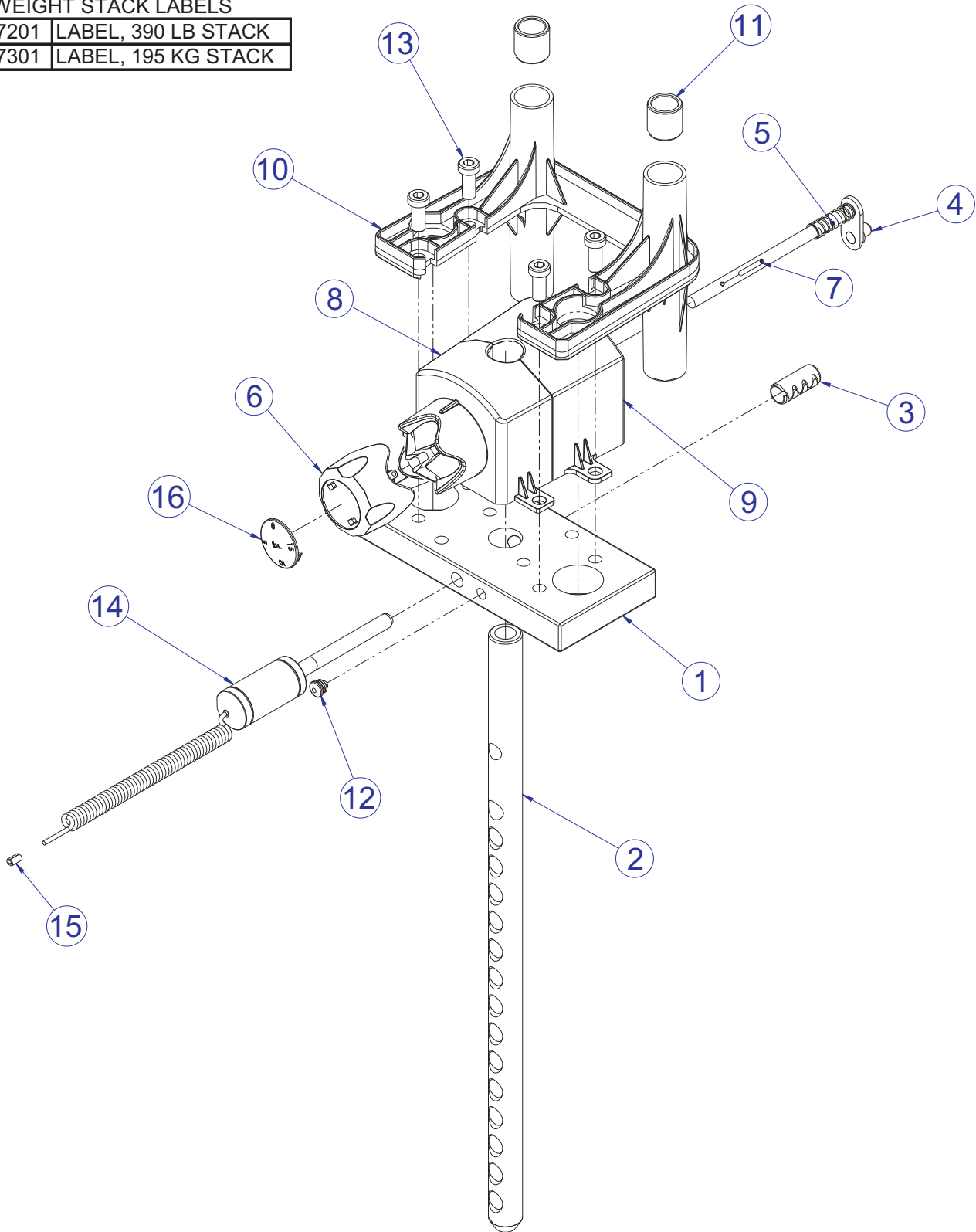


ITEM NO.	QTY.	PART NO.	DESCRIPTION
1	1	7968501	ASSY, FZ INC WEIGHT 5LB
2	1	7328201	BRKT, INCREMENT WT - 15 LB
3	2	3236202	SCREW, M10 X1.5 25MM

FZLE LEG EXTENSION HEAD PLATE ASSEMBLY - 7350701

WEIGHT STACK LABELS

7927201	LABEL, 390 LB STACK
7927301	LABEL, 195 KG STACK



SEE PAGE 13 FOR LEGEND

FZLE LEG EXTENSION HEAD PLATE ASSEMBLY LEGEND

ITEM NO.	QTY.	PART NO.	DESCRIPTION
1	1	7326701	HEAD PLATE
2	1	7347801	STEM, 9 PLATE
3	1	3236001	BUSHING, SPRING PIN
4	1	7327201	WLDMT, INCREMENT WT PIN
5	1	8024501	SPRING, 1/2 OD X 1-1/2
6	1	7326101	KNOB, INC WT SELECTOR
7	1	3110008	ROLL PIN, 1/8 X 1-1/4
8	1	7326401	HOUSING, SELECTOR - FRONT
9	1	7326501	HOUSING, SELECTOR - REAR
10	1	7362101	STABILIZER, HEAD PLATE
11	4	7459601	BUSHING, HEAD PLT STABILIZER
12	1	7356501	PLUG, LANYARD ATTACHMENT
13	4	3236202	SCREW, M10 X1.5 25MM
14	1	7338101	ASSY, WT STACK SELECTOR PIN
15	1	7523601	CRIMP, CABLE
16	1	7398601	CAP, SELECTOR KNOB, LBS
	OR		
	1	7398701	CAP, SELECTOR KNOB, KG

FZLE LEG EXTENSION IMAGE



Free Manuals Download Website

<http://myh66.com>

<http://usermanuals.us>

<http://www.somanuals.com>

<http://www.4manuals.cc>

<http://www.manual-lib.com>

<http://www.404manual.com>

<http://www.luxmanual.com>

<http://aubethermostatmanual.com>

Golf course search by state

<http://golfingnear.com>

Email search by domain

<http://emailbydomain.com>

Auto manuals search

<http://auto.somanuals.com>

TV manuals search

<http://tv.somanuals.com>