

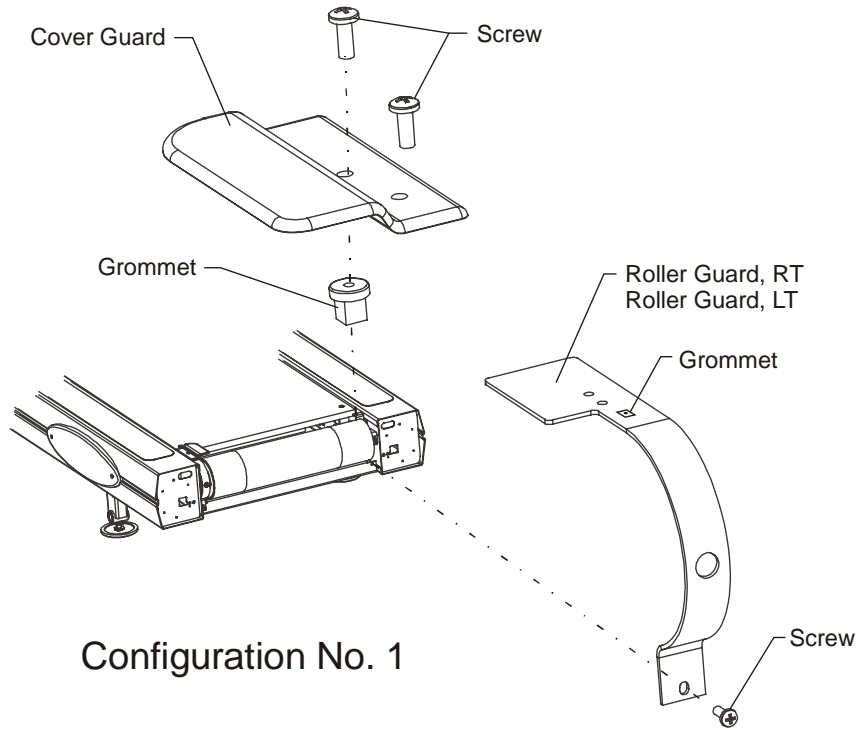
Life Fitness Model TR9700, TR9500, TR9100 Treadmills

How To...Replace or Install Rear Roller Guards

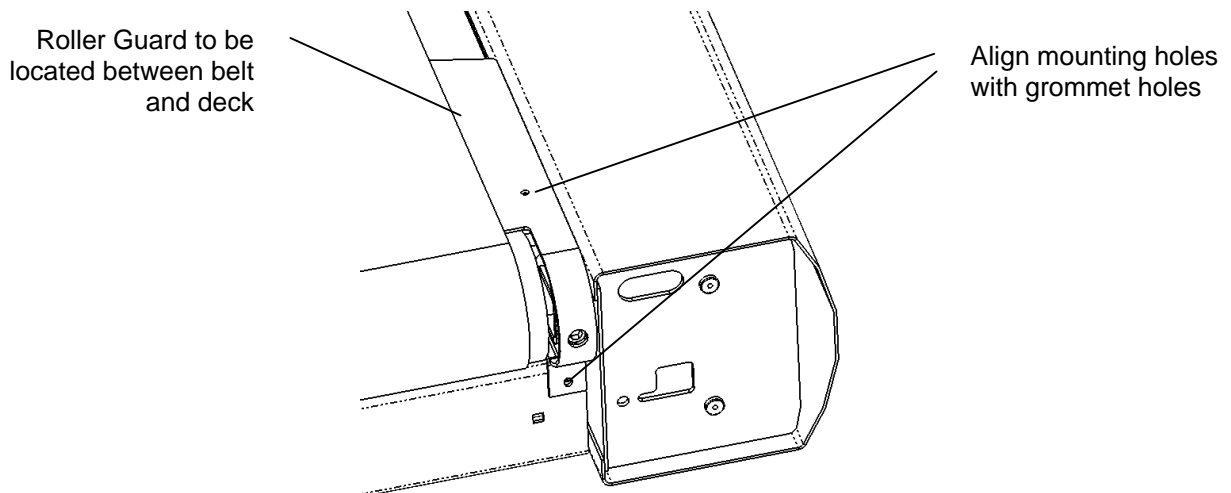
Tools Required: Philips Screwdriver

NOTE: The following steps are applicable to units with Configuration No. 1, Rear Roller Guards.

1. Remove the Screws securing the Rear Roller Guard Assembly to the Frame.

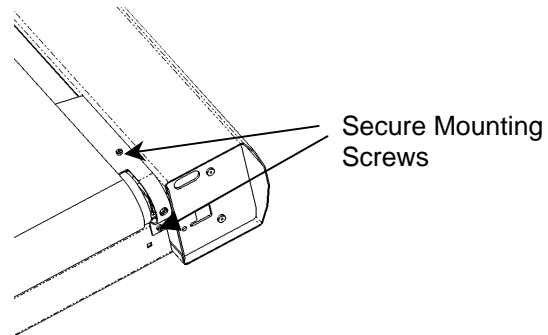


2. Remove the old Grommets from the Rear Roller Welded Guard Tab and Base Frame (model specific).
3. Install the new Grommets (included in kit) in the Rear Roller Guard Weldment and Base Frame locations.
4. Place new Roller Guard in position as shown with the top surface under walking belt. Align mounting holes.



Life Fitness Model TR9700, TR9500, TR9100 Treadmills How To...Replace or Install Rear Roller Guards

5. Install Screws and fasten securely. Approx. 22-37 in/lbs.



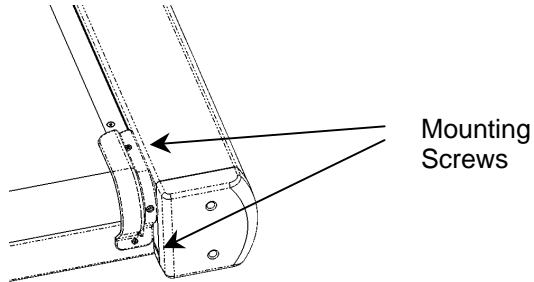
6. Repeat steps for opposite side. After completion run treadmill and check for interference or binding. If needed loosen Mounting Screws, re-align Guard, and refasten securely.

Life Fitness Model 97Ti, 95Ti, 93T Treadmills How To...Replace or Install Rear Roller Guards

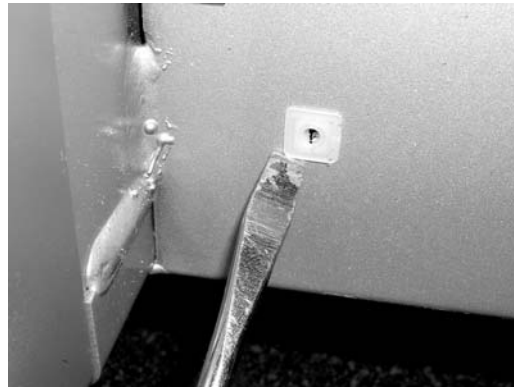
Tools Required: Philips Screwdriver, Flat Blade Screwdriver

NOTE: The following steps are applicable to units with Configuration No. 2, Rear Roller Guards.

1. Remove existing Roller Guard by unscrewing mounting screws on top and base of frame.



2. With flat blade screwdriver, remove Grommet and Washer, discard old washer and re-install the grommet. Use caution to prevent injury or damage to paint.



NOTE: Do not replace washer. Having a washer and the grommet will raise the guard too high and cause rubbing against the belt resulting in premature wear and reducing belt life.

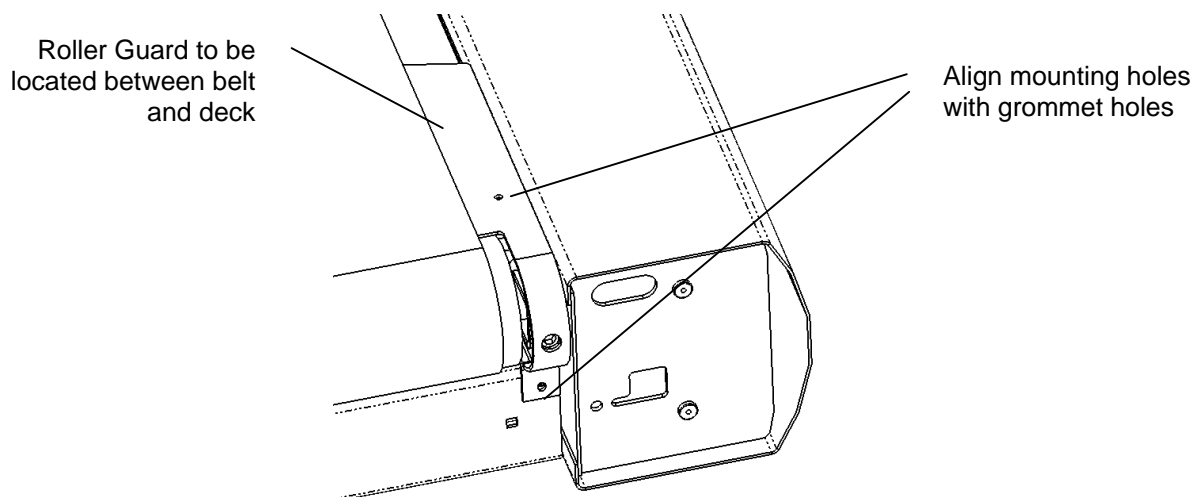
3. Remove the Base's Lower Head Grommet for the base bottom hole and move to the upper hole in the Base Frame.



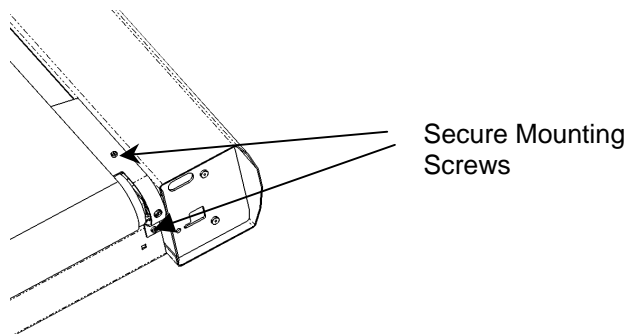
Life Fitness Model 97Ti, 95Ti, 93T Treadmills

How To...Replace or Install Rear Roller Guards (*Continued*)

4. Place new Roller Guard in position shown with top surface under walking belt. Align mounting holes.



5. Install Screws and fasten securely. Approx. 22-37 in/lbs.
6. Repeat steps for opposite side. After completion run treadmill and check for interference or binding. If needed loosen Mounting Screws, re-align Guard, and refasten securely.



Free Manuals Download Website

<http://myh66.com>

<http://usermanuals.us>

<http://www.somanuals.com>

<http://www.4manuals.cc>

<http://www.manual-lib.com>

<http://www.404manual.com>

<http://www.luxmanual.com>

<http://aubethermostatmanual.com>

Golf course search by state

<http://golfingnear.com>

Email search by domain

<http://emailbydomain.com>

Auto manuals search

<http://auto.somanuals.com>

TV manuals search

<http://tv.somanuals.com>