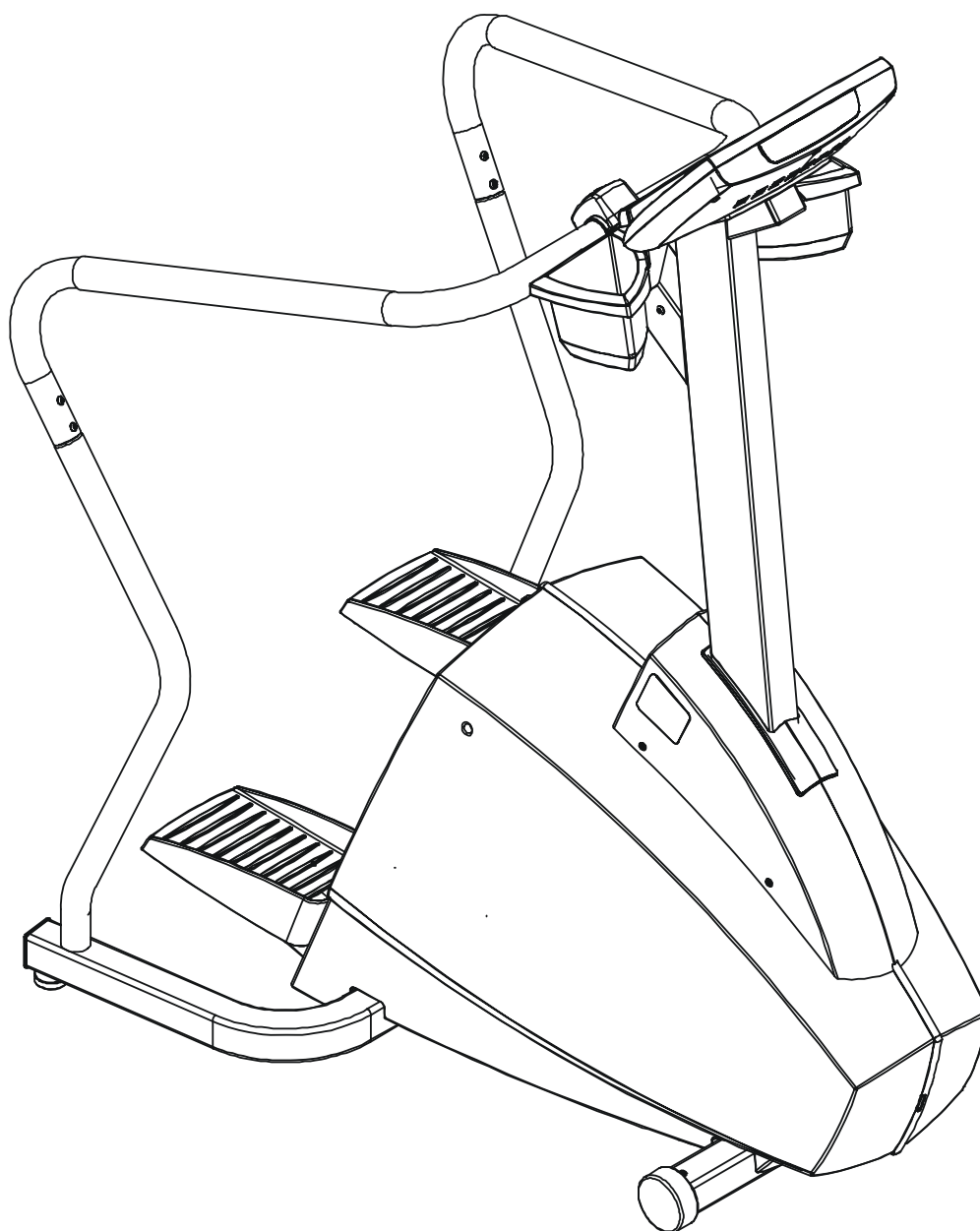


LifeFitness

ARCTIC SILVER 90SW Stairclimber

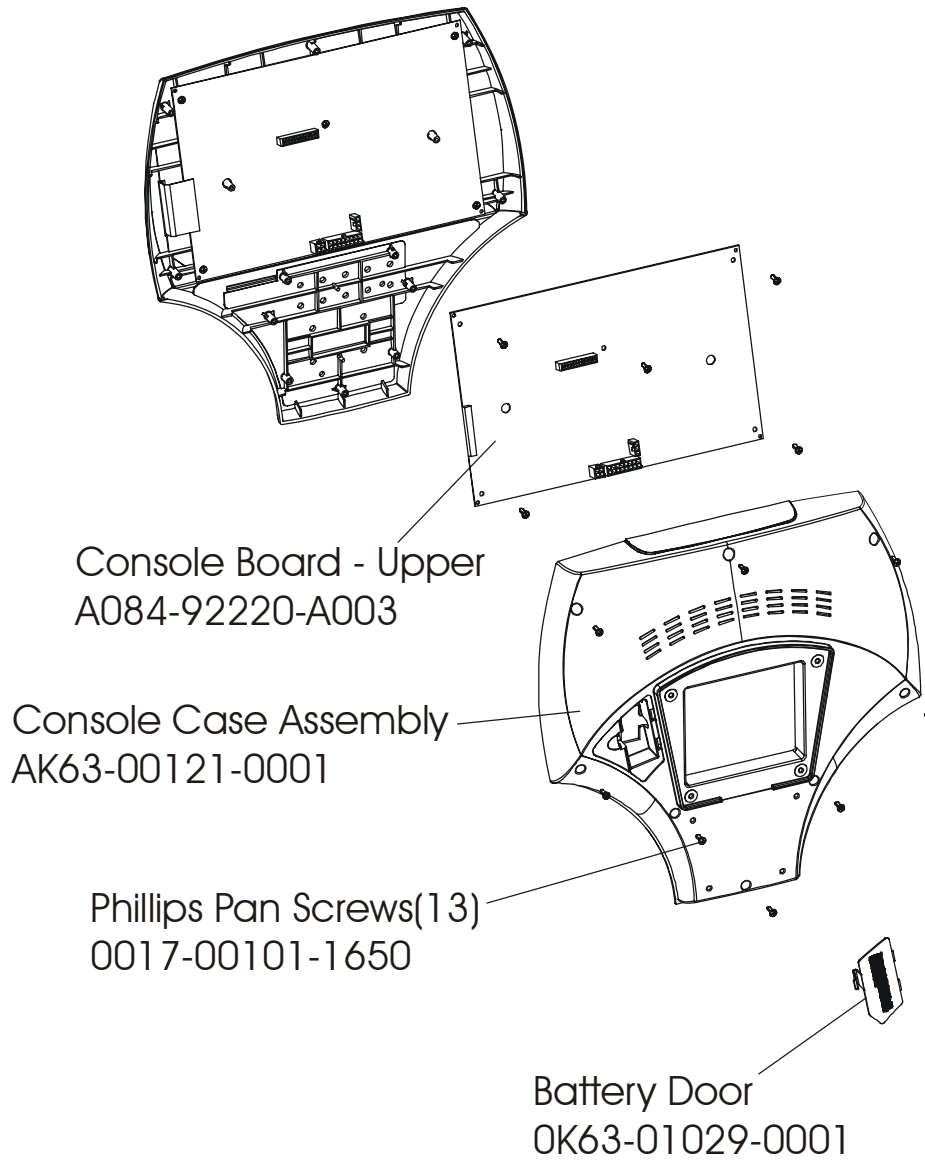


Customer Support Services ***PARTS MANUAL*** revised 21 Mar 2008

| | |
|---|---|
| OPERATION MANUAL | M051-00K47-A076 |
| ACCESS PANEL ASSEMBLY CONSISTS OF: 1) COAX CABLE 2) POWER EXT. CABLE 3) MOUNTING PLATE 4) F TYPE CONNECTOR | AK32-00020-0002 AK32-00078-0001 0K47-01197-0001 0017-0021-2846 |
| OPTIONAL TELEMETRY KIT | GK47-00002-0003 |
| HARDWARE BAG | AK47-00108-0000 |
| TOUCH UP PAINT: SPRAY CAN .5 OZ BOTTLE W/APPLICATOR .33 OZ PEN | 0017-00008-0204 0017-00008-0205 0017-00008-0206 |
| SERVICE MANUAL | M051-00K47-A013 |

**NOTE: ADDING THE LCD BOLT-ON SCREEN TO
THE 90SW-0XXX-02 MAKES IT A 90SER-0XXX-02.**

| | Page |
|---------------------------------------|------|
| CONSOLE COMPONENTS | 4 |
| FRAME COMPONENTS..... | 5 |
| SHROUDS AND PEDAL TUBE | 6 |
| PEDAL ASSEMBLY..... | 7 |
| CLUTCH,SHAFT/PULLEY ASSEMBLY | 8 |
| LEFT CLUTCH ASSEMBLY | 9 |
| CROSSOVER PULLEY ASSEMBLY | 10 |
| ALTERNATOR ASSEMBLY..... | 11 |
| GUIDE ROLLERS | 12 |
| POWER CONTROL BOARD & RESISTORS | 13 |
| POLAR RECEIVER CAP | 14 |
| CABLES..... | 15 |

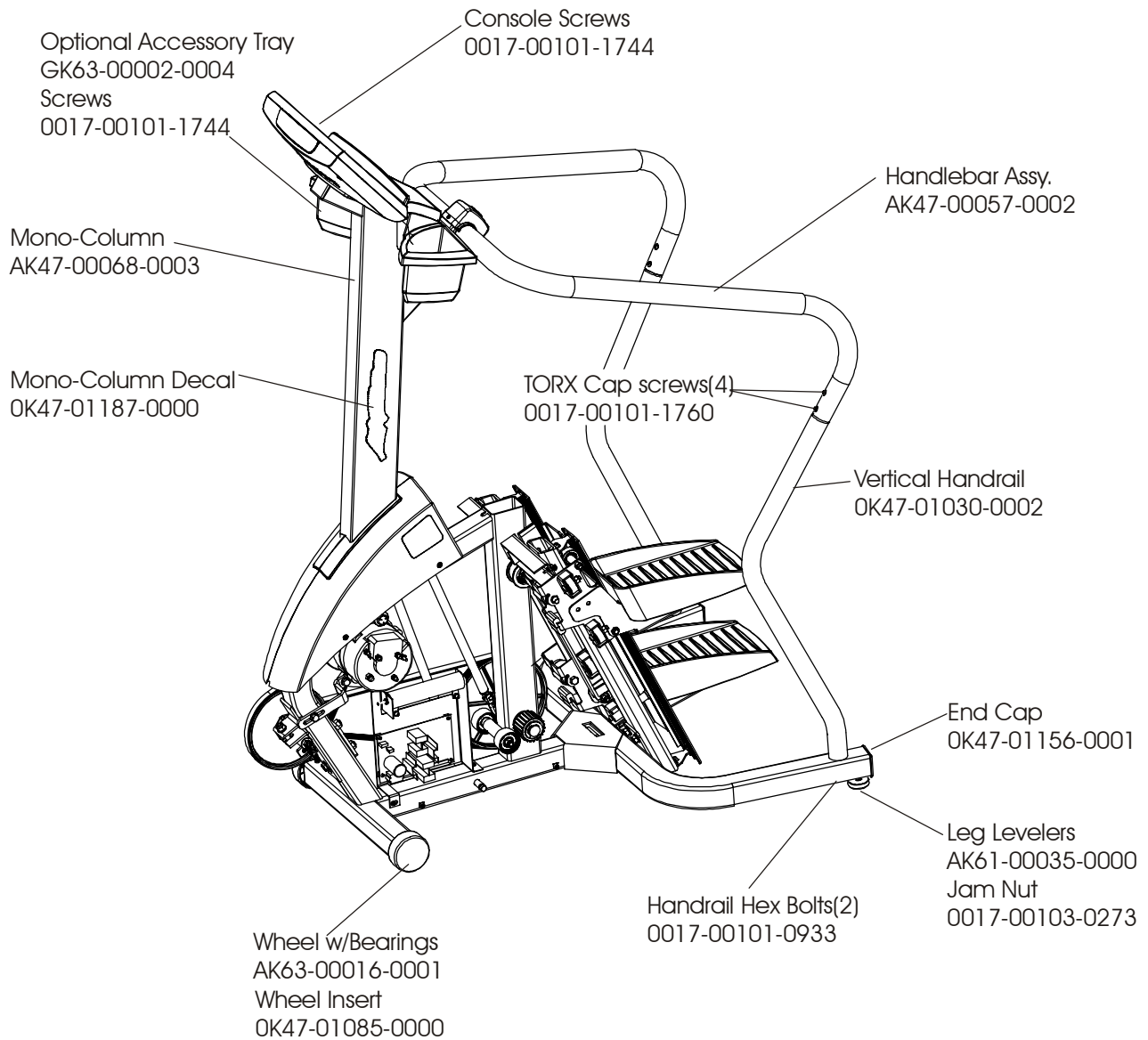


| | |
|-------------------------|----------------------------|
| Console Assembly | Overlay/Bezel/Switch Assy. |
| AK47-00096-0001 Eng Met | AK47-00100-0001 Eng Met |
| AK47-00096-0003 Ger Met | AK47-00100-0003 Ger Met |
| AK47-00096-0004 Spn Met | AK47-00100-0004 Spn Met |
| AK47-00096-0006 Jap Met | AK47-00100-0006 Jap Met |
| AK47-00096-0007 Frn Met | AK47-00100-0007 Frn Met |
| AK47-00096-0008 Itl Met | AK47-00100-0008 Itl Met |
| AK47-00096-0009 Dut Met | AK47-00100-0009 Dut Met |
| AK47-00096-0010 Por Met | AK47-00100-0010 Por Met |

ARCTIC SILVER 90SW

Frame Components

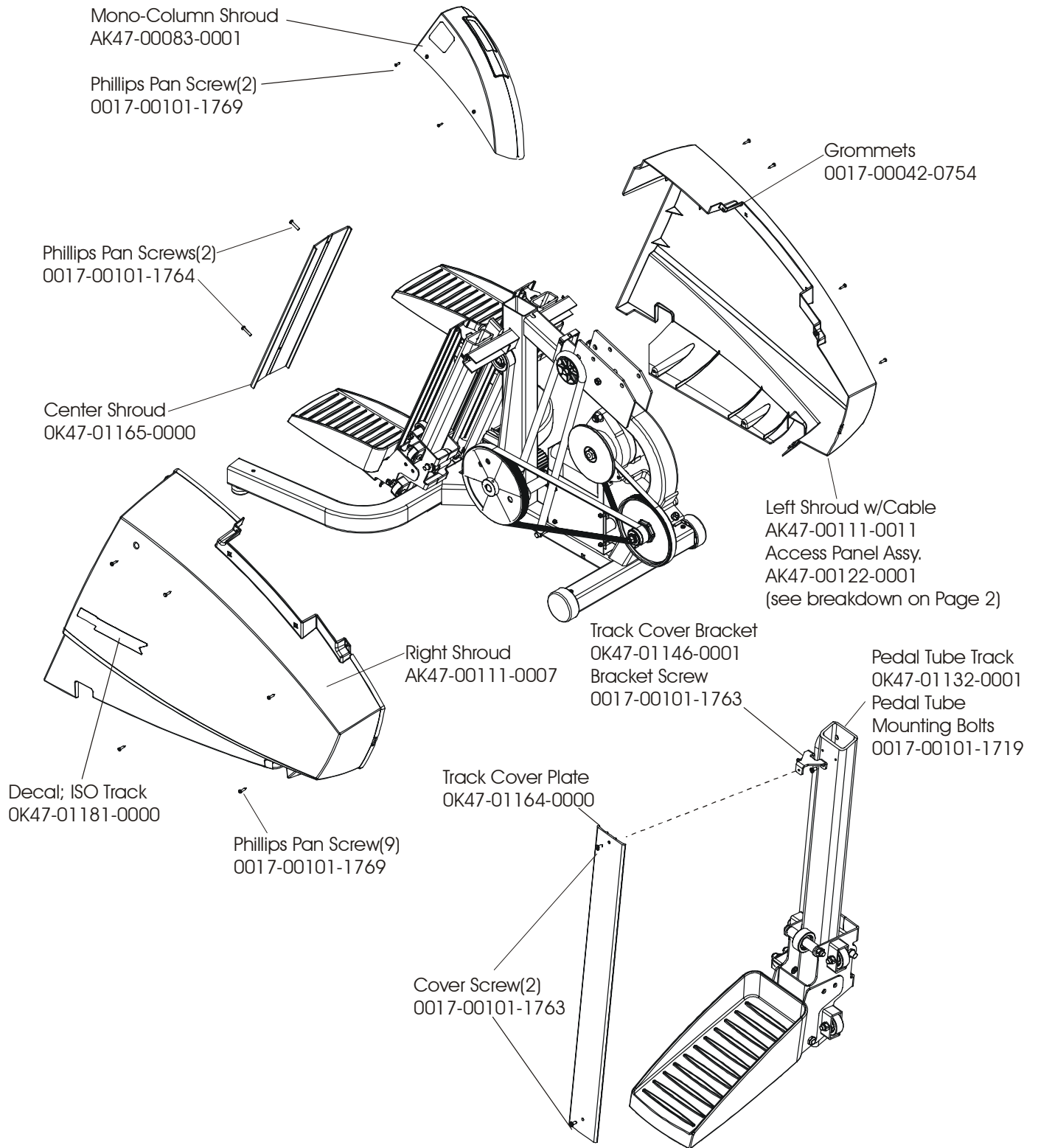
90SW0XXX-02
S/N AWA100000 and UP



ARCTIC SILVER 90SW

Shrouds and Pedal Tube

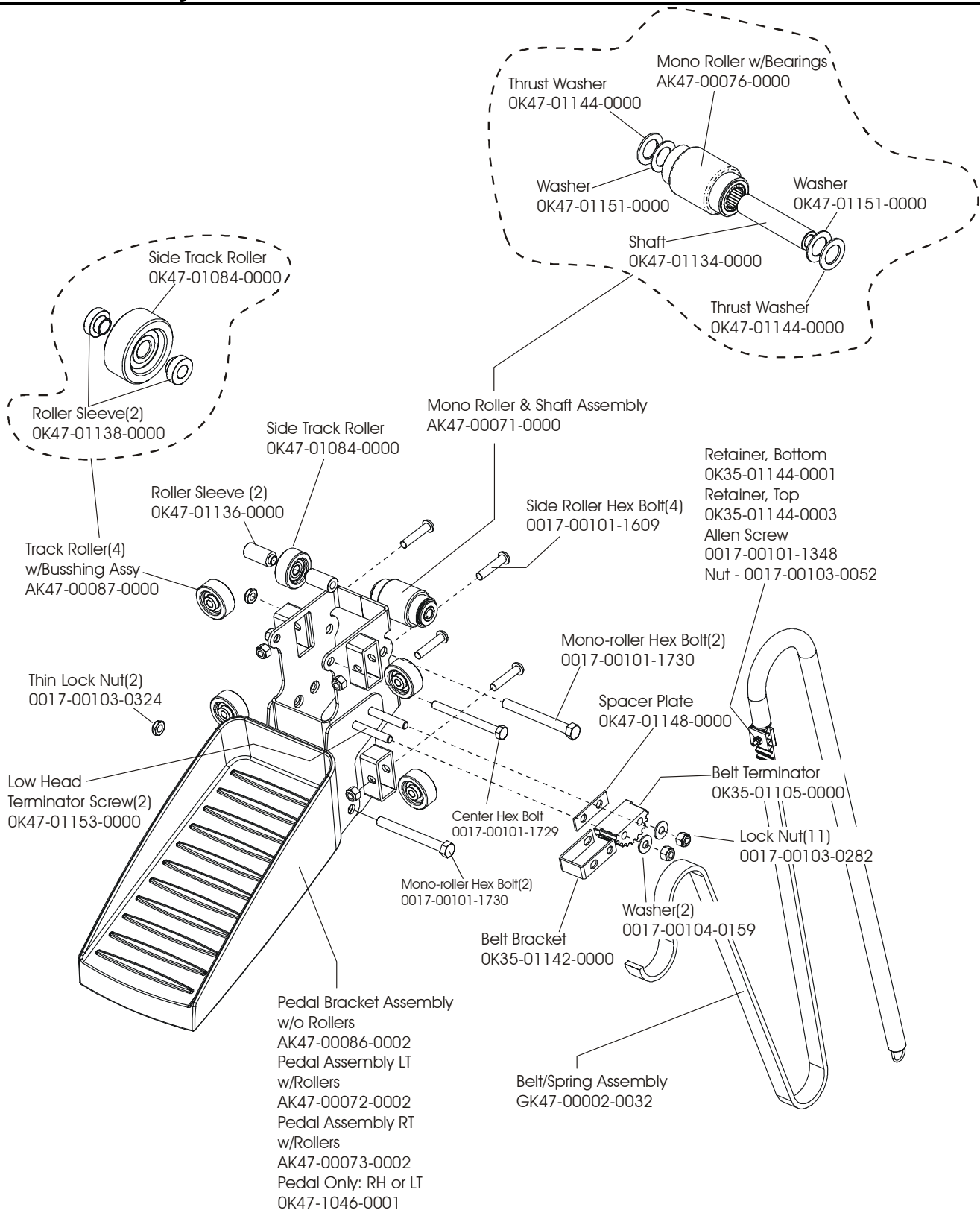
90SW-0XXX-02
S/N AWA10000 and UP



ARCTIC SILVER 90SW

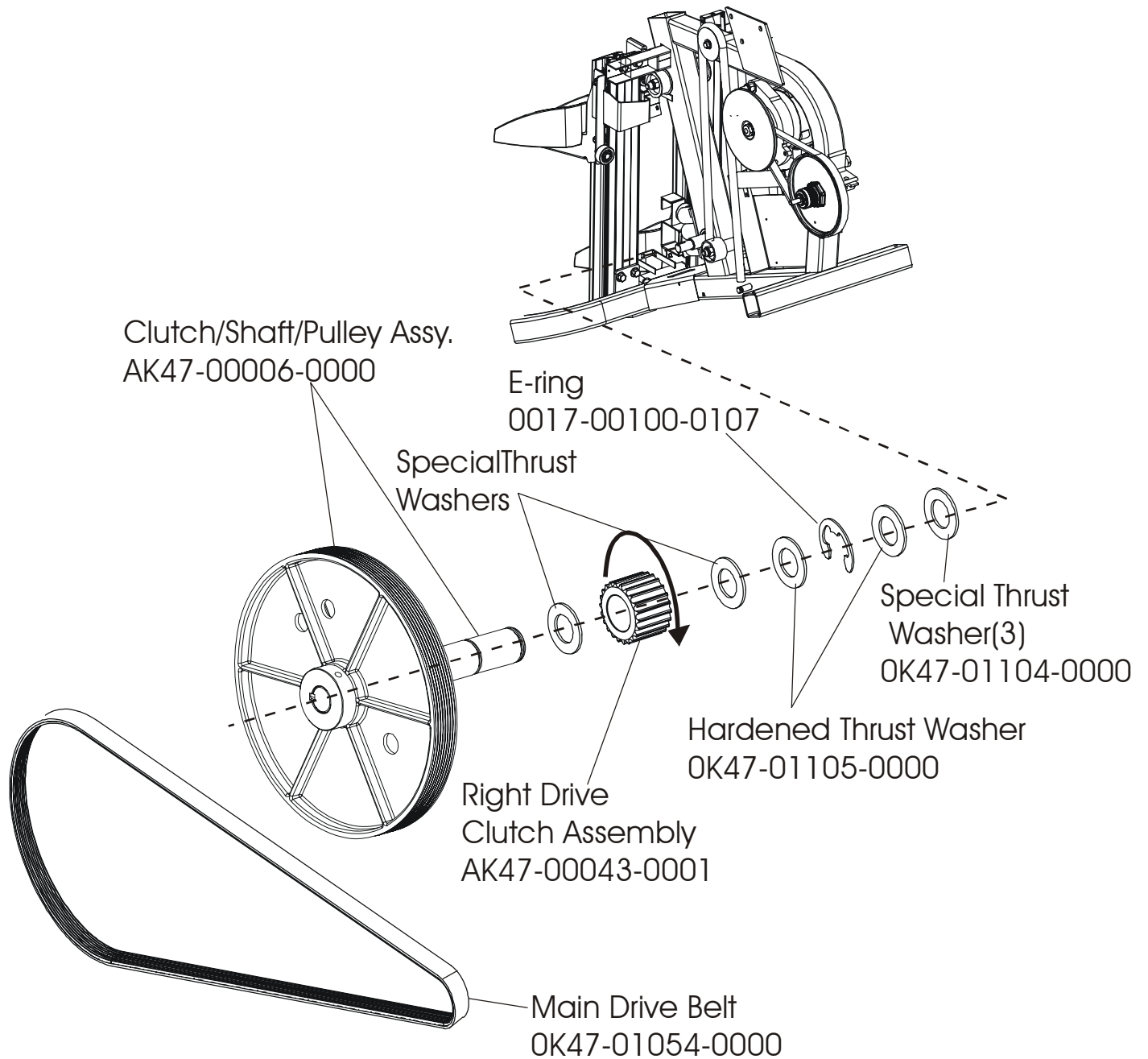
Pedal assembly

90SW-0XXX-02
S/N AWA100000 and UP



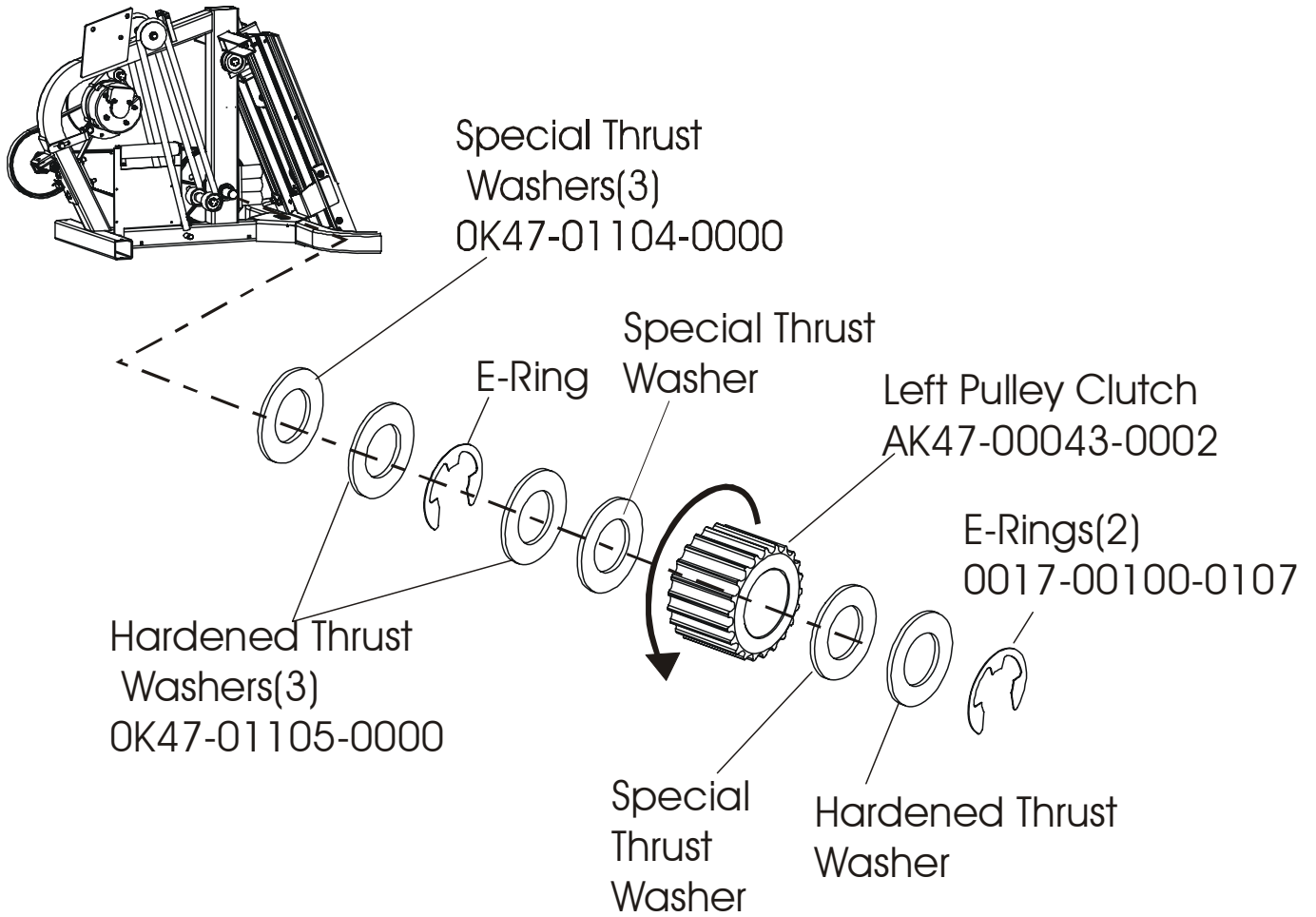
ARCTIC SILVER 90SW
Clutch/Shaft/Pulley Assembly

90SW-0XXX-02
S/N AWA100000 and UP



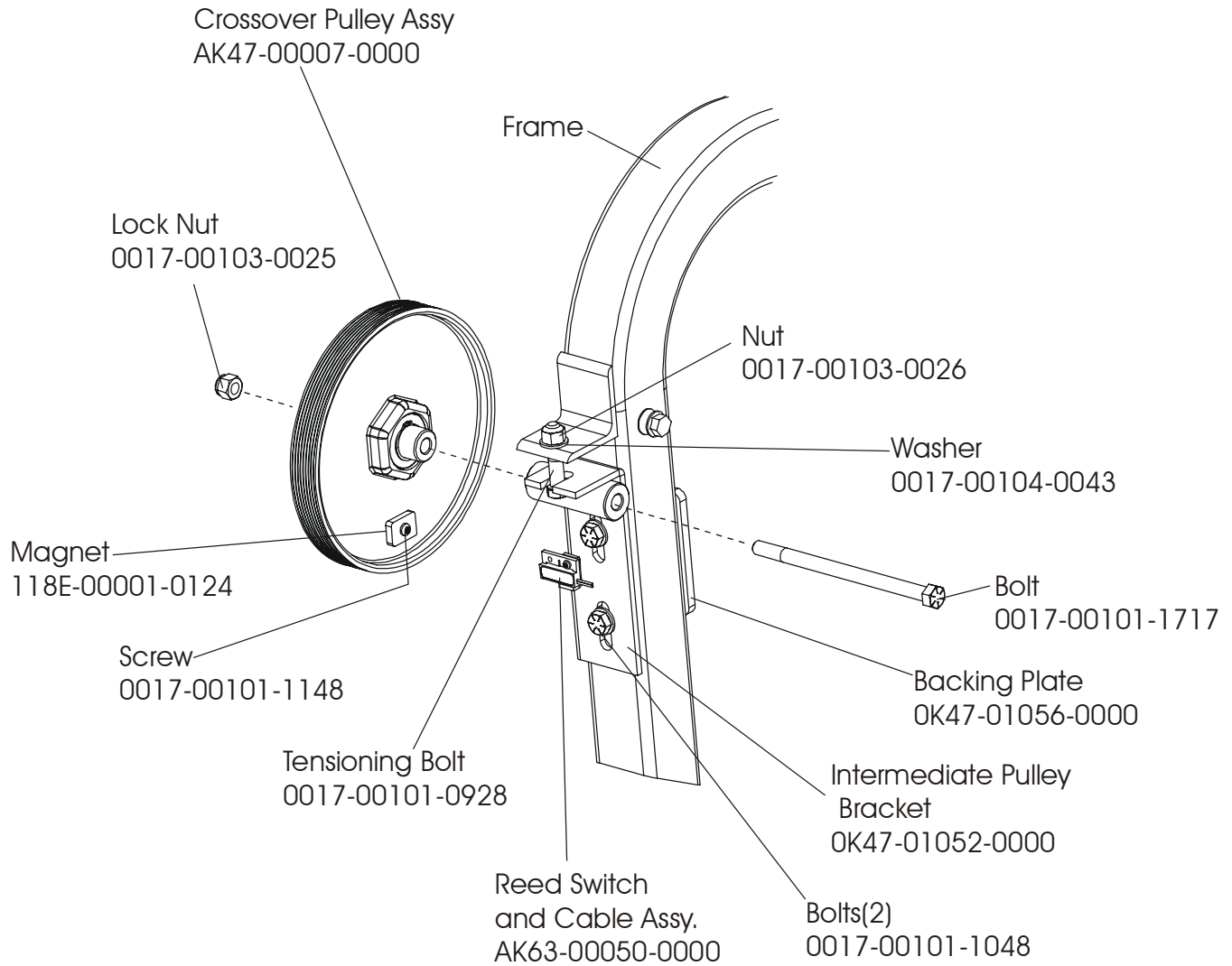
ARCTIC SILVER 90SW
Left Clutch Assembly

90SW-0XXX-02
S/N AWA100000 and UP



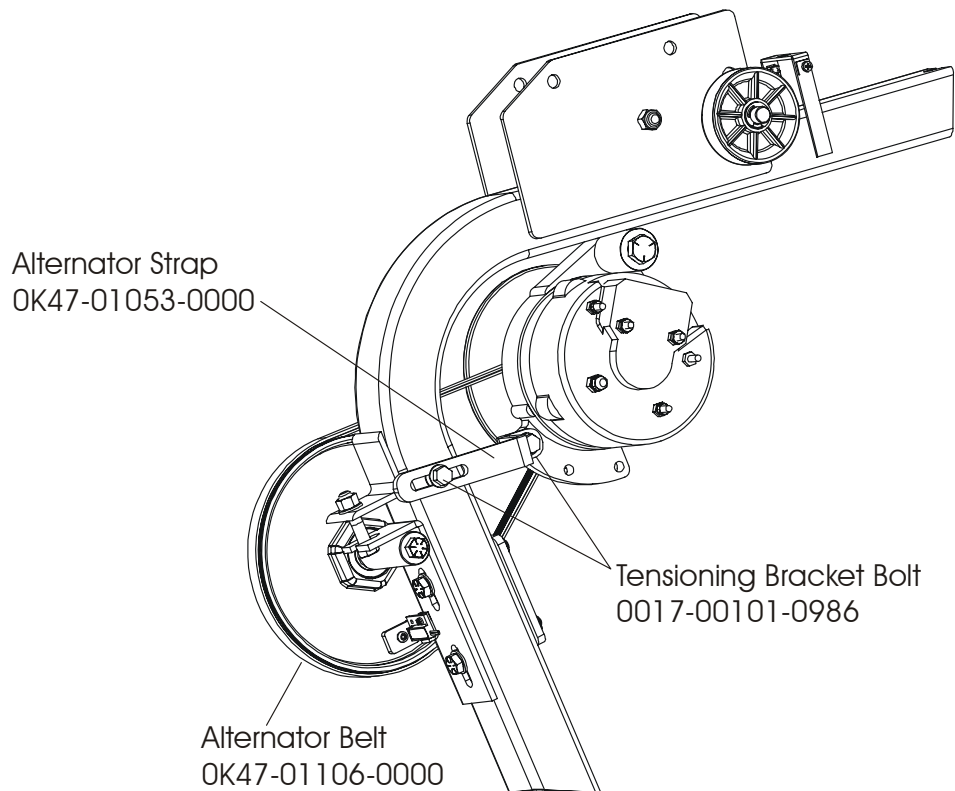
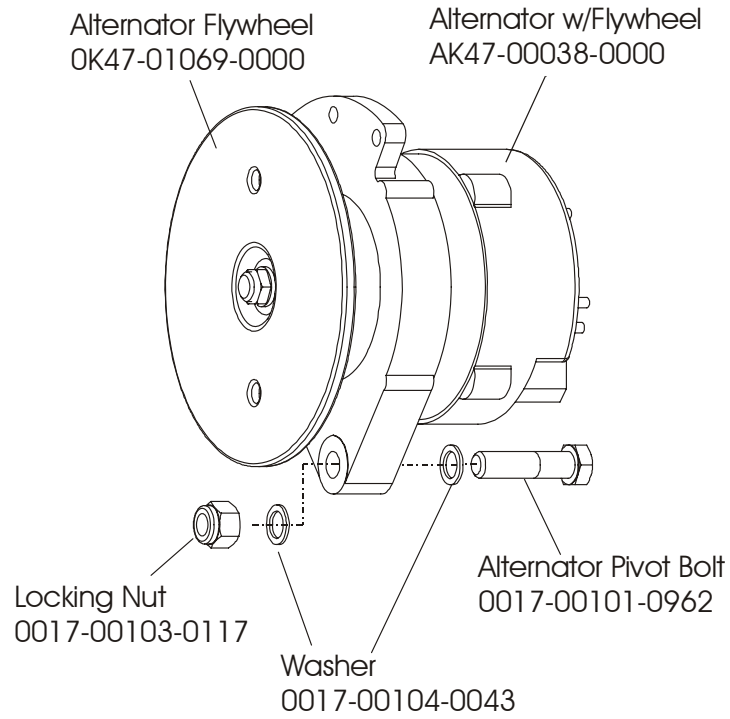
ARCTIC SILVER 90SW
Crossover Pulley Assembly

90SW-0XXX-02
S/N AWA100000 and UP



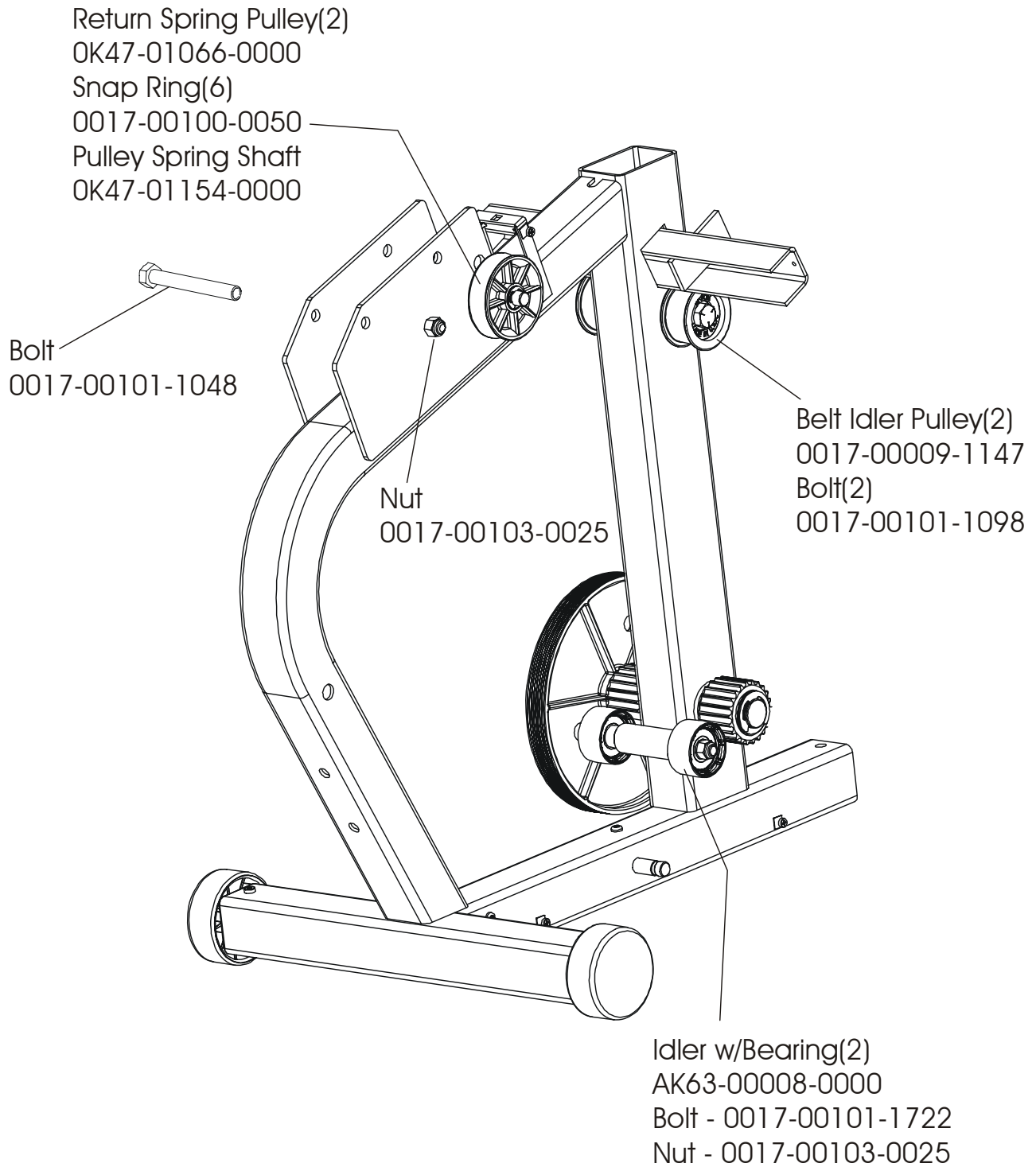
ARCTIC SILVER 90SW
Alternator Assembly

90SW-0XXX-02
S/N AWA100000 and UP



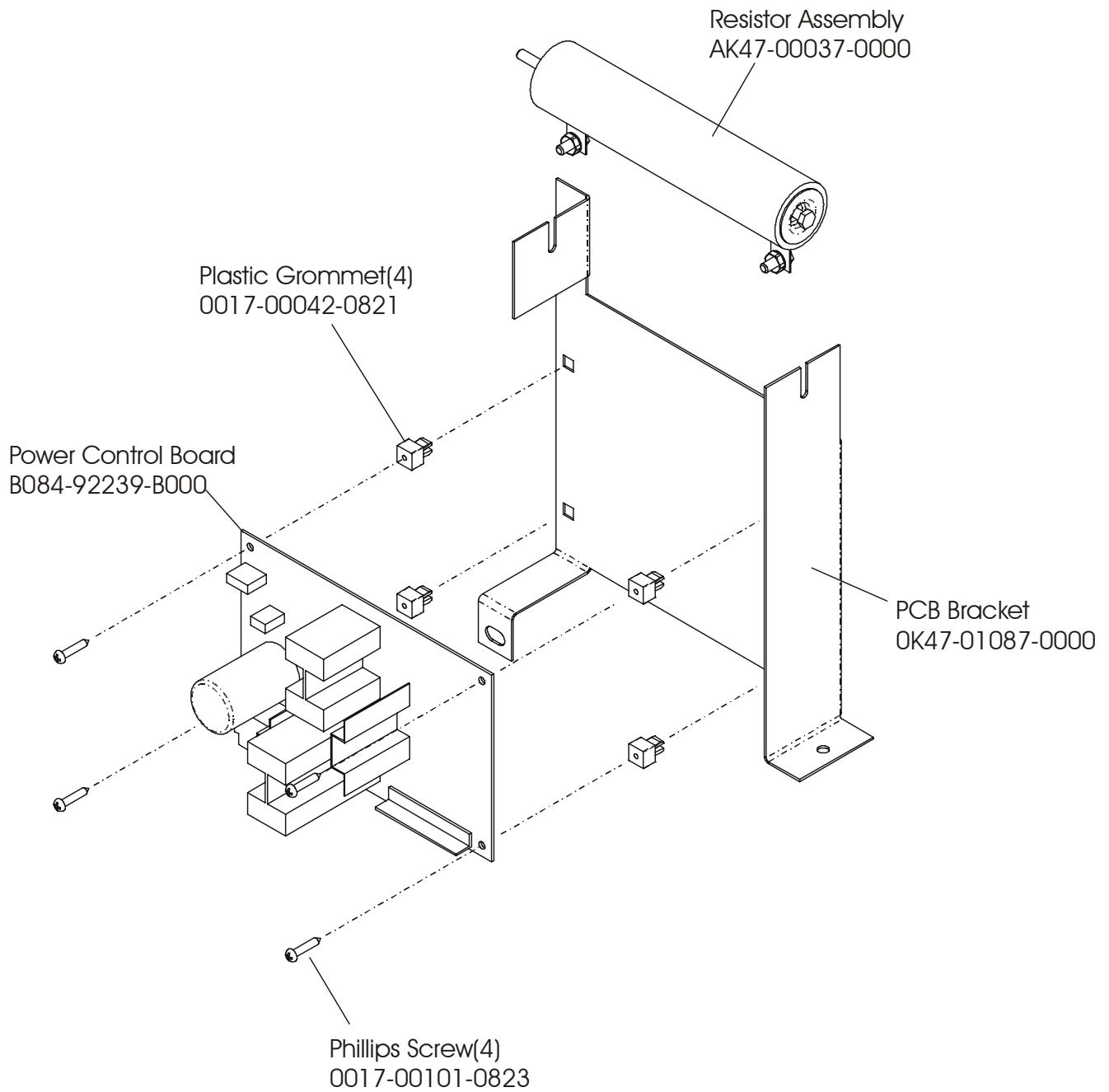
ARCTIC SILVER 90SW
Guide Rollers

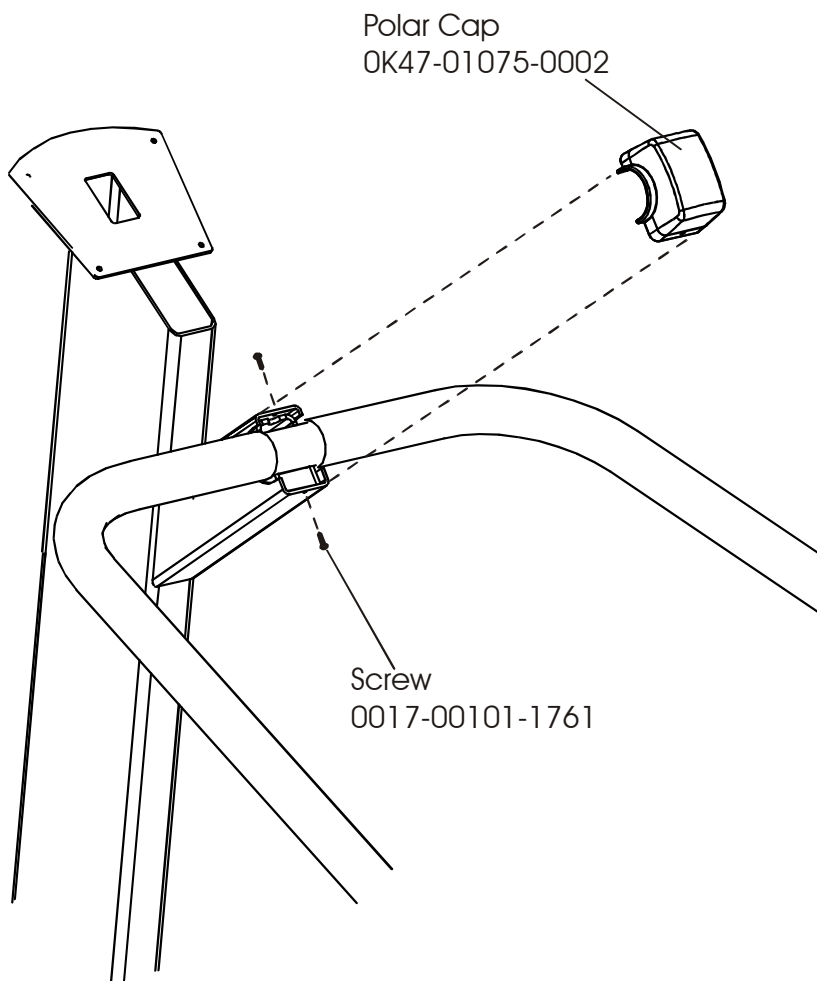
90SW-0XXX-02
S/N AWA100000 and UP



ARCTIC SILVER 90SW
Power Control Board & Resistor

90SW-0XXX-02
S/N AWA100000 and UP

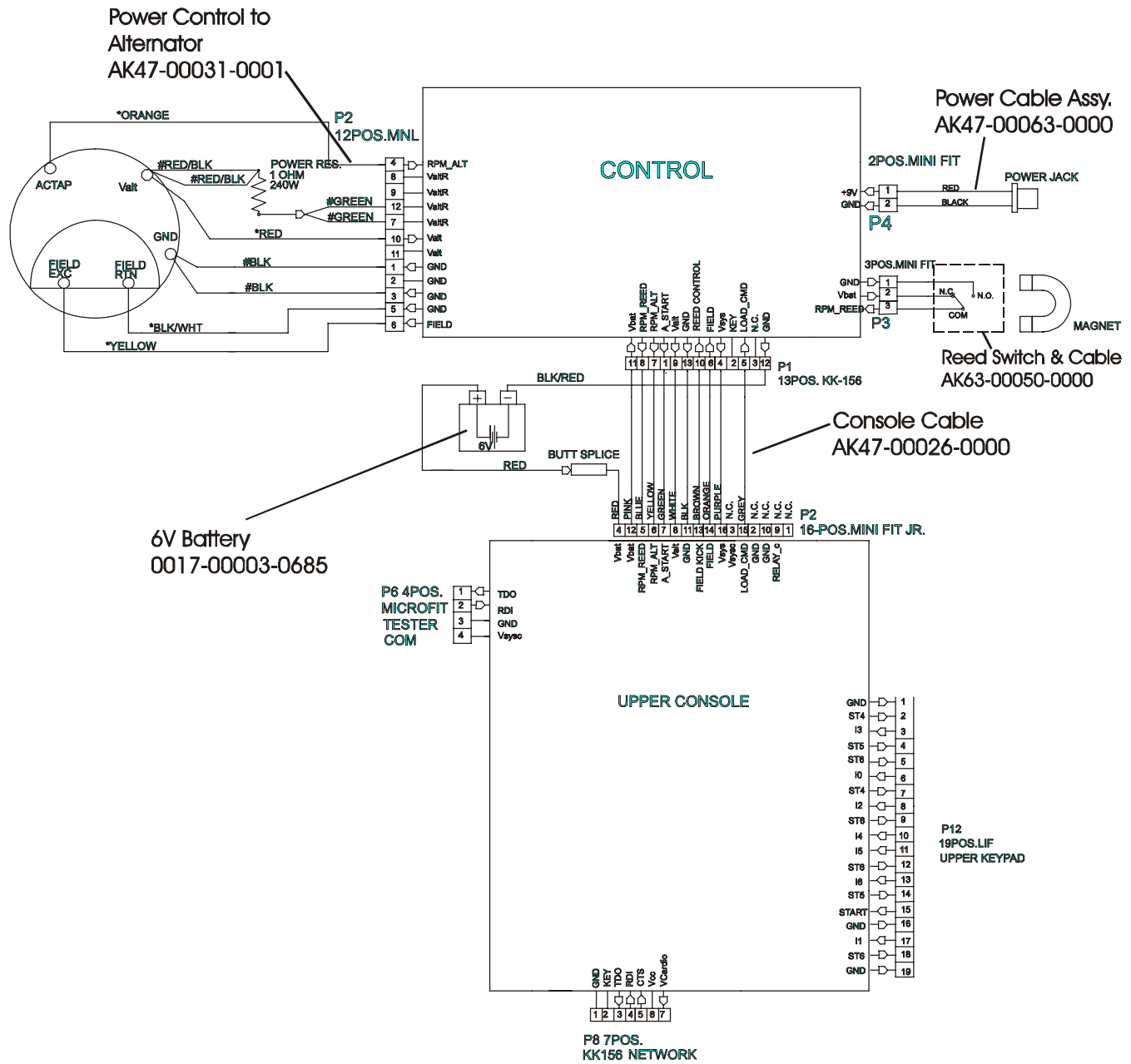




ARCTIC SILVER 90SW

Cables

90SW-0XXX-02
S/N AWA10000 and UP



| Description | Part Number |
|---|-----------------|
| Domestic 120/60 Battery Charge w/Cord | 118E-00001-0165 |
| Universal Battery Charger w/o Line Cord | 118E-00001-0166 |
| Line Cord 220V/60Hz | 0017-00003-0704 |
| Line Cord 100V/50Hz | |
| Line Cord 240+ | 0017-00003-0918 |
| Line Cord 220V/50Hz | 0017-00003-0691 |
| Line Cord 200V/50Hz | |
| Line Cord 230V/50Hz | |

Free Manuals Download Website

<http://myh66.com>

<http://usermanuals.us>

<http://www.somanuals.com>

<http://www.4manuals.cc>

<http://www.manual-lib.com>

<http://www.404manual.com>

<http://www.luxmanual.com>

<http://aubethermostatmanual.com>

Golf course search by state

<http://golfingnear.com>

Email search by domain

<http://emailbydomain.com>

Auto manuals search

<http://auto.somanuals.com>

TV manuals search

<http://tv.somanuals.com>