

LifeFitness

ARCTIC SILVER 95SWEZ Stairclimber



Customer Support Services ***PARTS MANUAL*** rev 14 Jul 2008

ARCTIC SILVER 95SWEZ
REFERENCES

95SWEZ-0xxx-01
S/N SZW100000 and up

OPERATION MANUAL	M051-00K47-A025
HARDWARE BAG	AK47-00106-0000
TOUCH UP PAINT: SPRAY CAN .5 OZ BOTTLE W/APPLICATOR .33 OZ PEN	0017-00008-0204 0017-00008-0205 0017-00008-0206
ACCESS PANEL ASSEMBLY CONSISTS OF: 1) COAX CABLE 2) POWER EXT. CABLE 3) MOUNTING PLATE 4) F TYPE CONNECTOR	AK32-00020-0002 AK32-00078-0001 0K47-01197-0001 0017-00021-2846
SERVICE MANUAL	M051-00K47-A013

ARCTIC SILVER 95SWEZ
CONTENTS

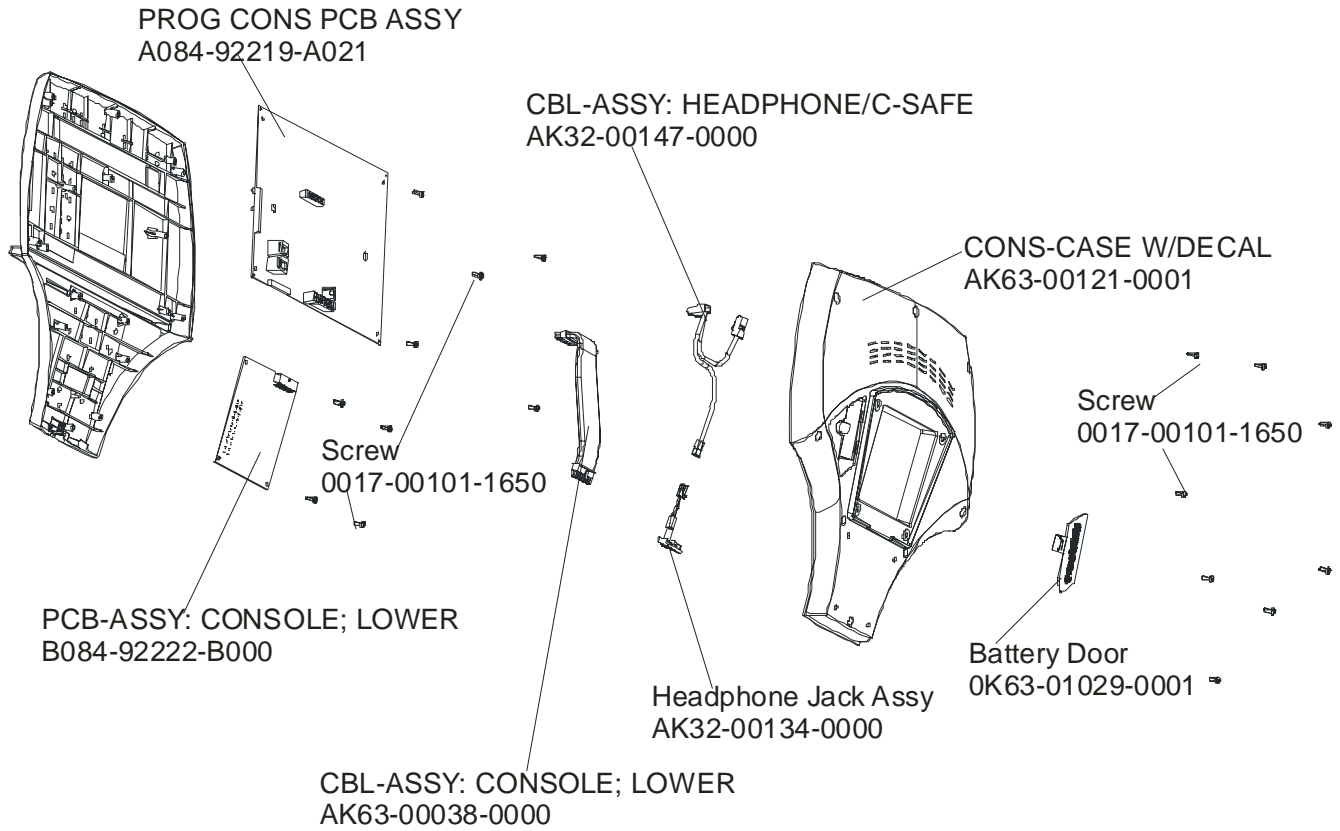
95SWEZ-0xxx-01
S/N SZW100000 and up

	Page
Console Components	4
Entertainment TV Console.....	5
Connector Bracket	6
Entertainment Mounting Bracket	7
Frame Components	8
Shrouds and Pedal Tube	9
Pedal Assembly	10
Clutch/Shaft/Pulley Assembly	11
Left Clutch Assembly	12
Crossover Pulley Assembly	13
Alternator Assembly.....	14
Guide Rollers	15
Power Control Board and Resistor	16
Polar Receiver Assembly.....	17
Cables	18

ARCTIC SILVER 95SWEZ

Console Components

95SWEZ-0xxx-01
S/N SZW10000 and up

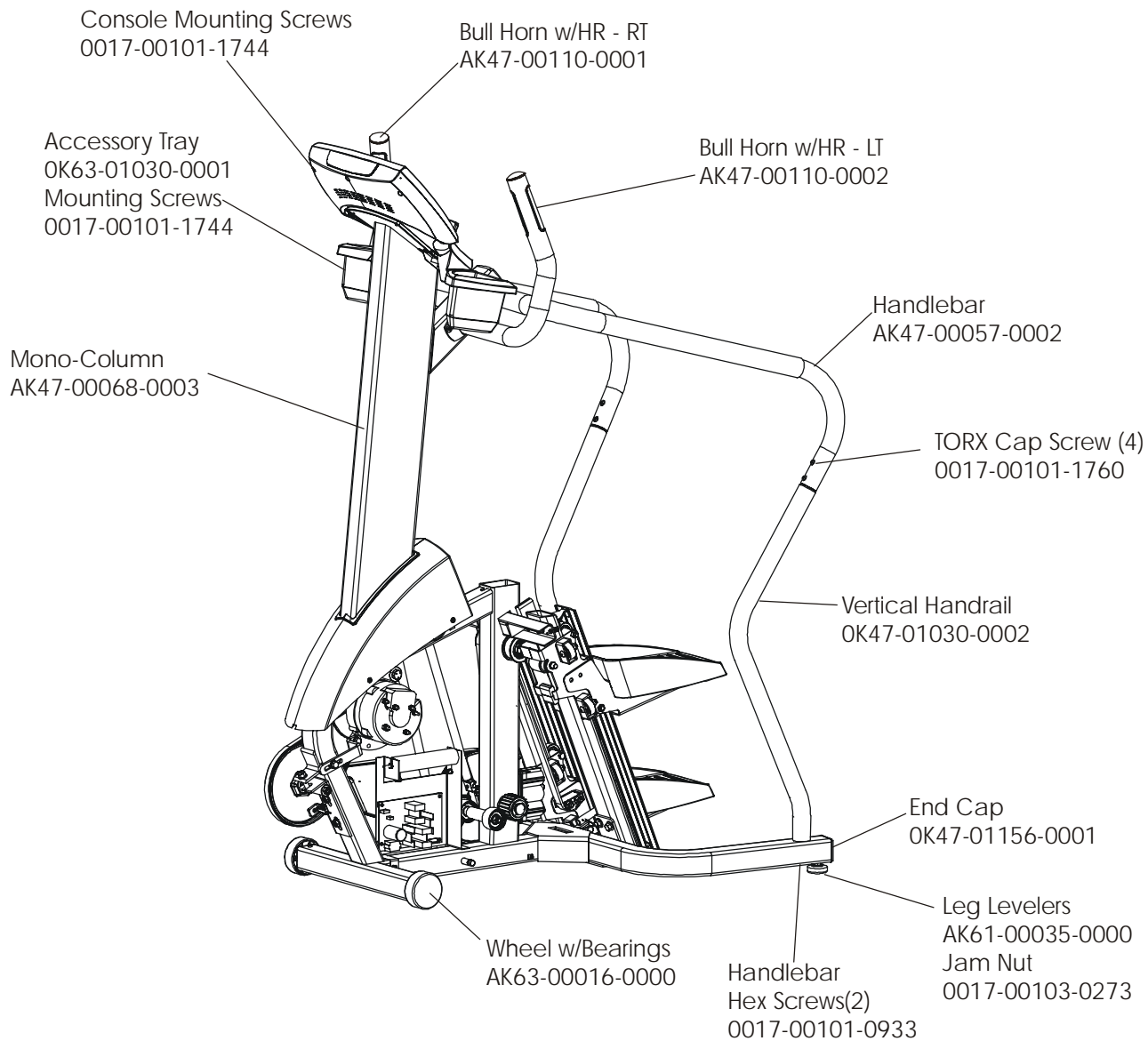


AK47-00147-0001	CONS-ASSY: 95SEZ; ENG	AK47-00150-0001	BZL/SW/OVERLAY ASSY: 95SEZ; ENG
AK47-00147-0003	CONS-ASSY: 95SEZ; GER	AK47-00150-0003	BZL/SW/OVERLAY ASSY: 95SEZ; GER
AK47-00147-0004	CONS-ASSY: 95SEZ; SPN	AK47-00150-0004	BZL/SW/OVERLAY ASSY: 95SEZ; SPN
AK47-00147-0006	CONS-ASSY: 95SEZ; JAP	AK47-00150-0006	BZL/SW/OVERLAY ASSY: 95SEZ; JAP
AK47-00147-0007	CONS-ASSY: 95SEZ; FRN	AK47-00150-0007	BZL/SW/OVERLAY ASSY: 95SEZ; FRN
AK47-00147-0008	CONS-ASSY: 95SEZ; ITL	AK47-00150-0008	BZL/SW/OVERLAY ASSY: 95SEZ; ITL
AK47-00147-0009	CONS-ASSY: 95SEZ; DUT	AK47-00150-0009	BZL/SW/OVERLAY ASSY: 95SEZ; DUT
AK47-00147-0010	CONS-ASSY: 95SEZ; POR	AK47-00150-0010	BZL/SW/OVERLAY ASSY: 95SEZ; POR
AK47-00147-0014	CONS-ASSY: 95SEZ; TUR		

ARCTIC SILVER 95SWEZ

Frame Components

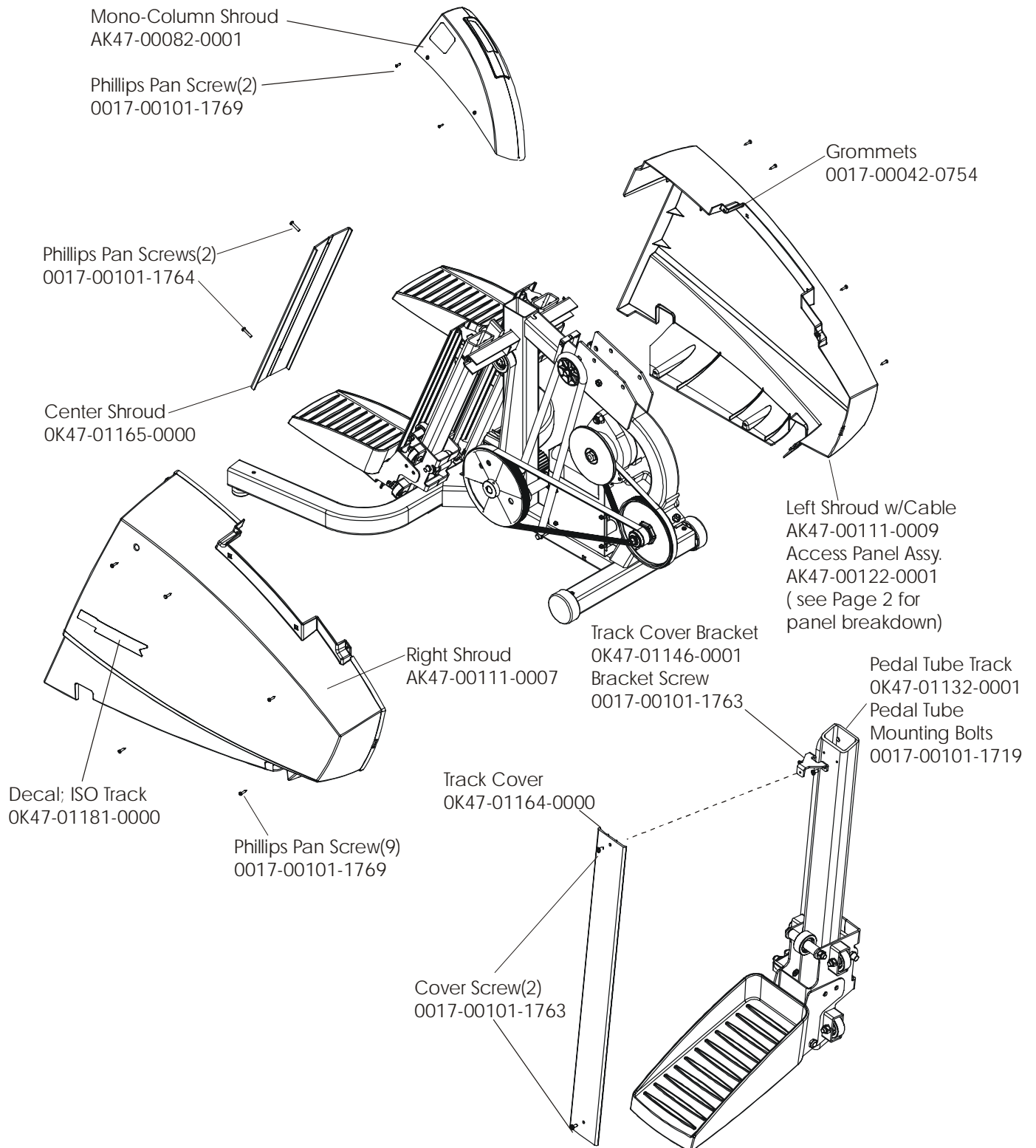
95SWEZ-0xxx-01
S/N SZW100000 and up



ARCTIC SILVER 95SWEZ

Shrouds and Pedal Tube

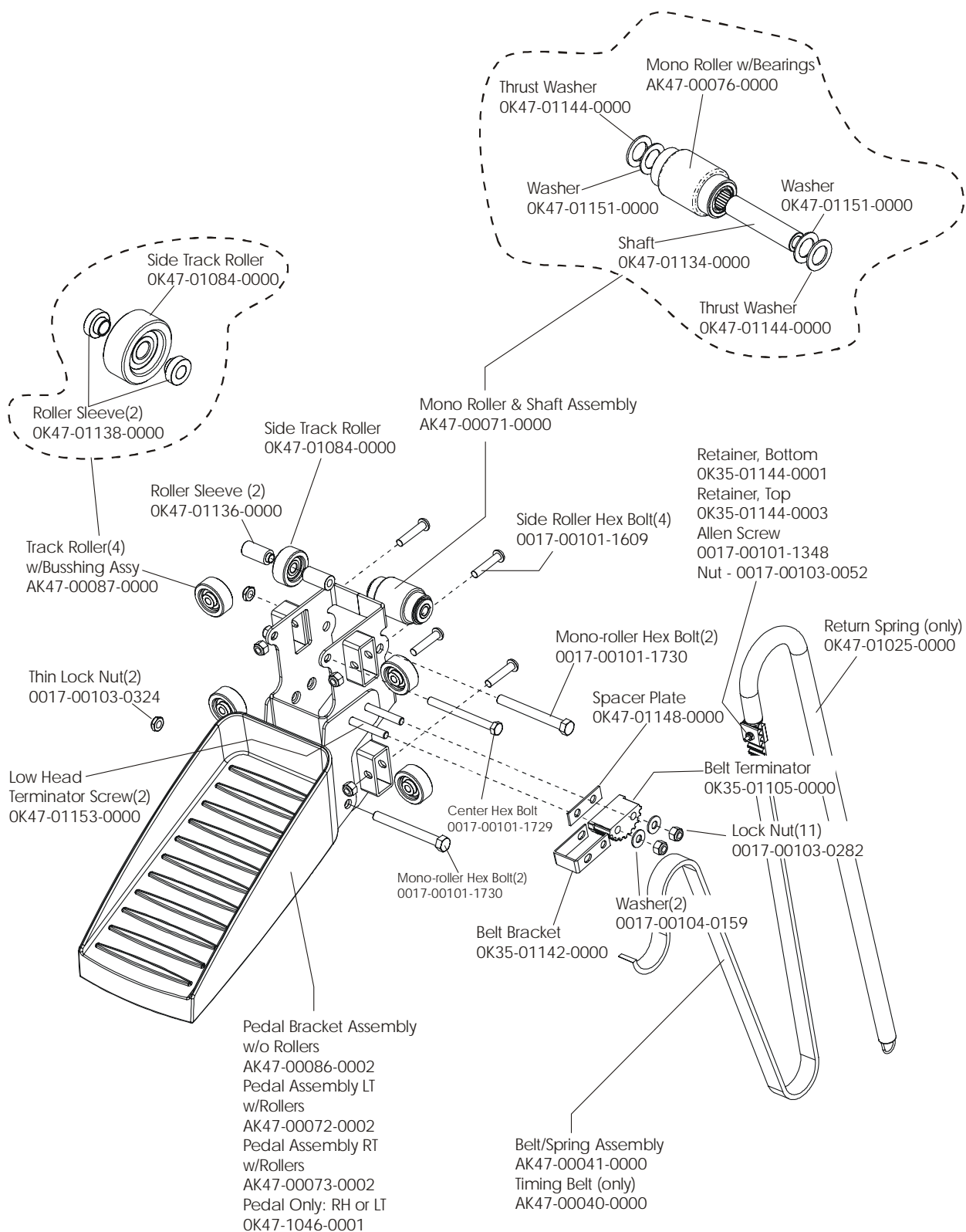
95SWEZ-0xxx-01
S/N SZW10000 and up



ARCTIC SILVER 95SWEZ

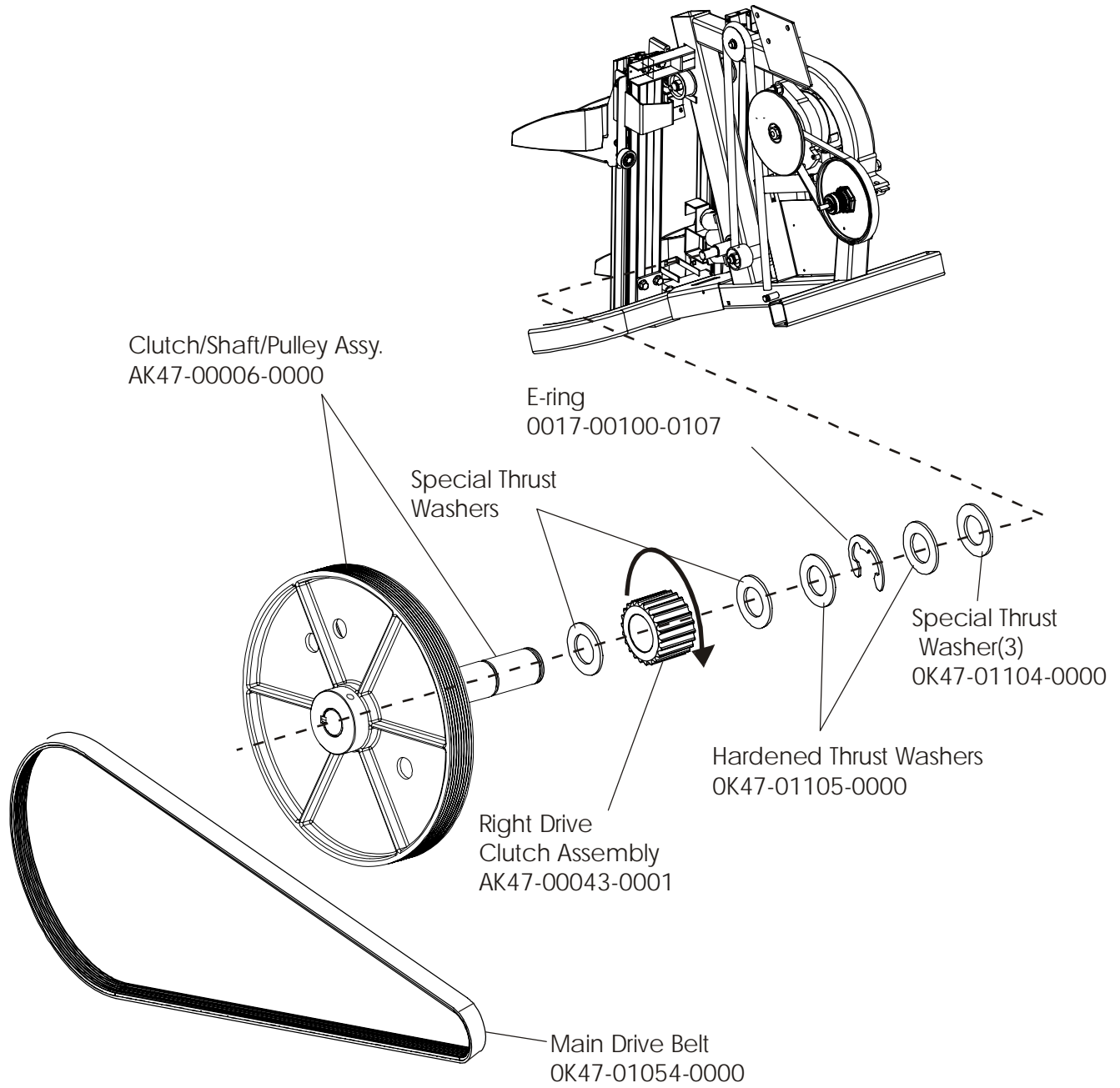
Pedal Assembly

95SWEZ-0xxx-01
S/N SZW10000 and up



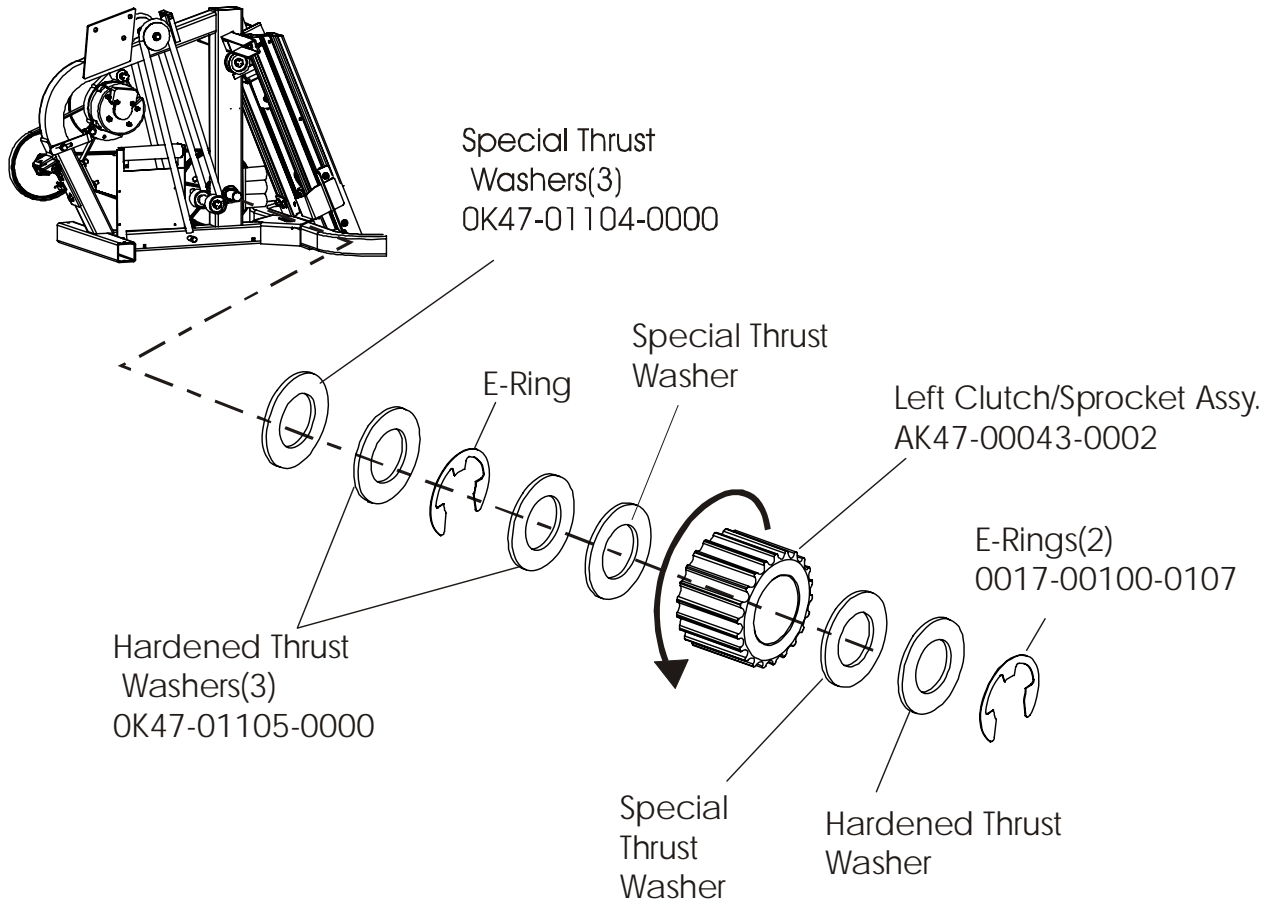
ARCTIC SILVER 95SWEZ
Clutch/Shaft/Pulley Assembly

95SWEZ-0xxx-01
S/N SZW100000 and up



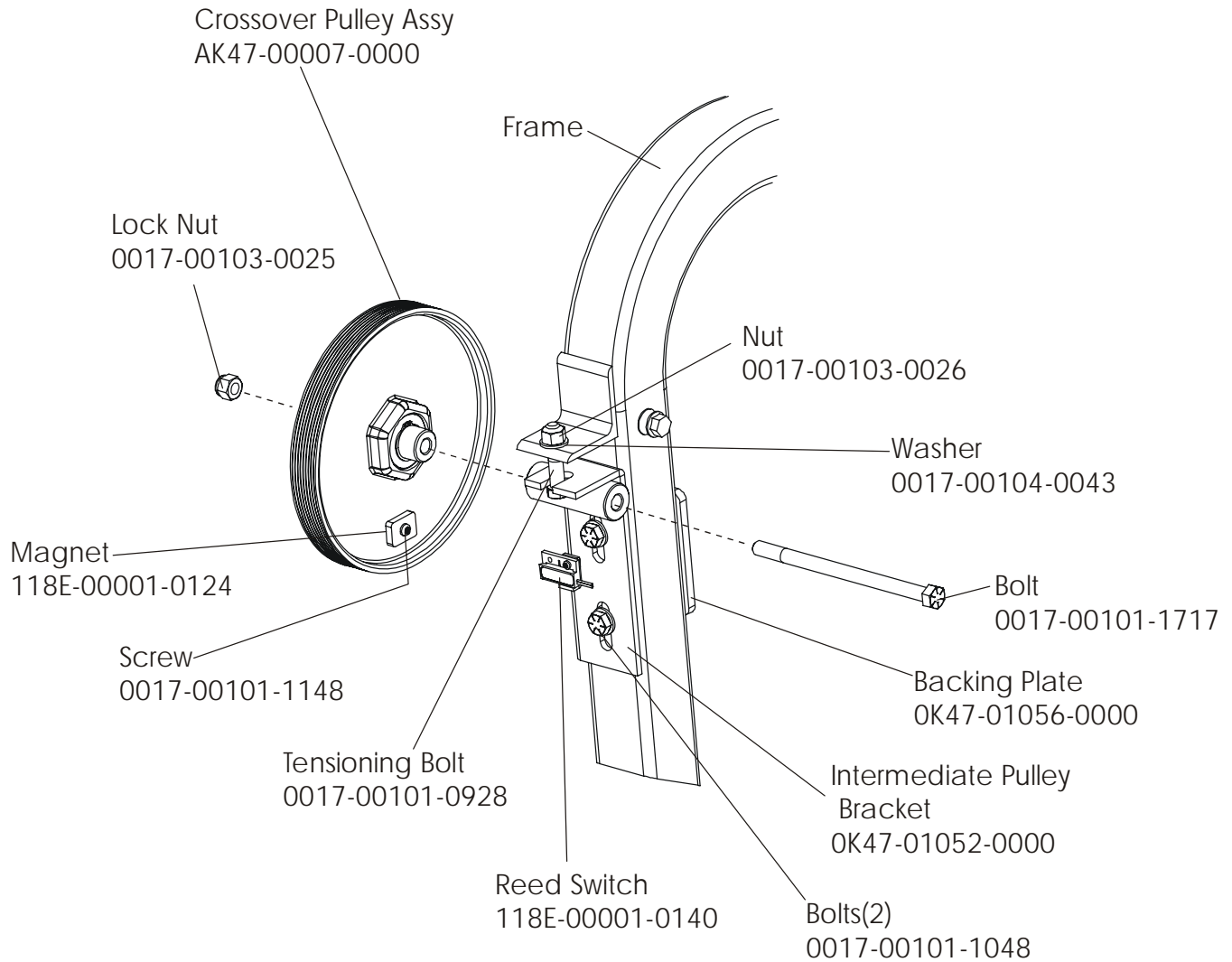
ARCTIC SILVER 95SWEZ
Left Clutch Assembly

95SWEZ-0xxx-01
S/N SZW100000 and up



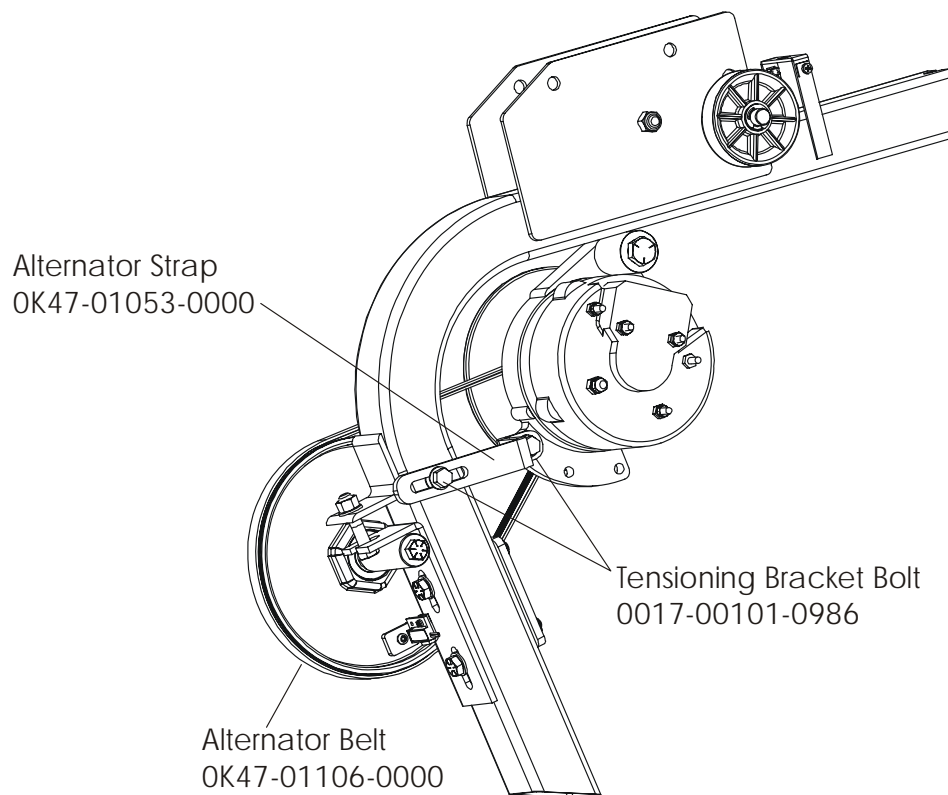
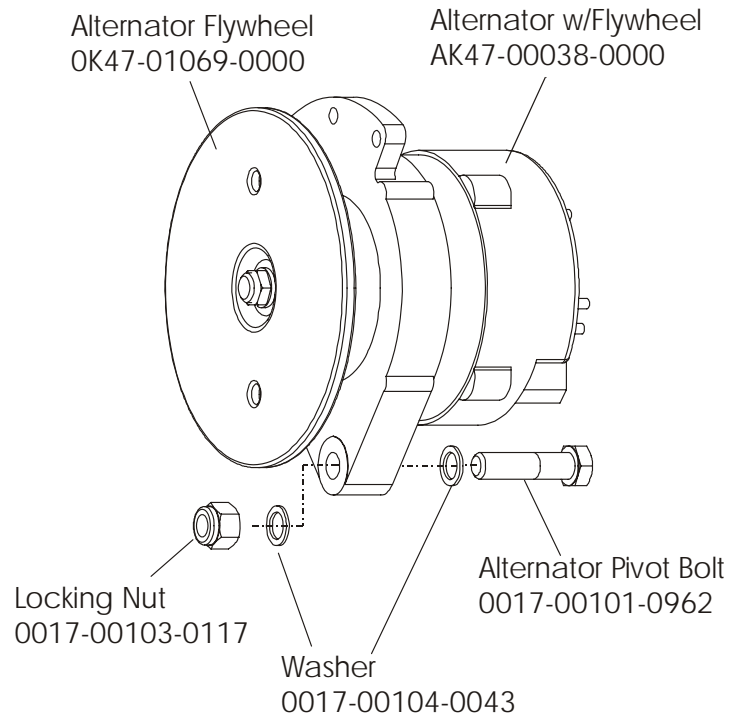
ARCTIC SILVER 95SWEZ
Crossover Pulley Assembly

95SWEZ-0xxx-01
S/N SZW100000 and up



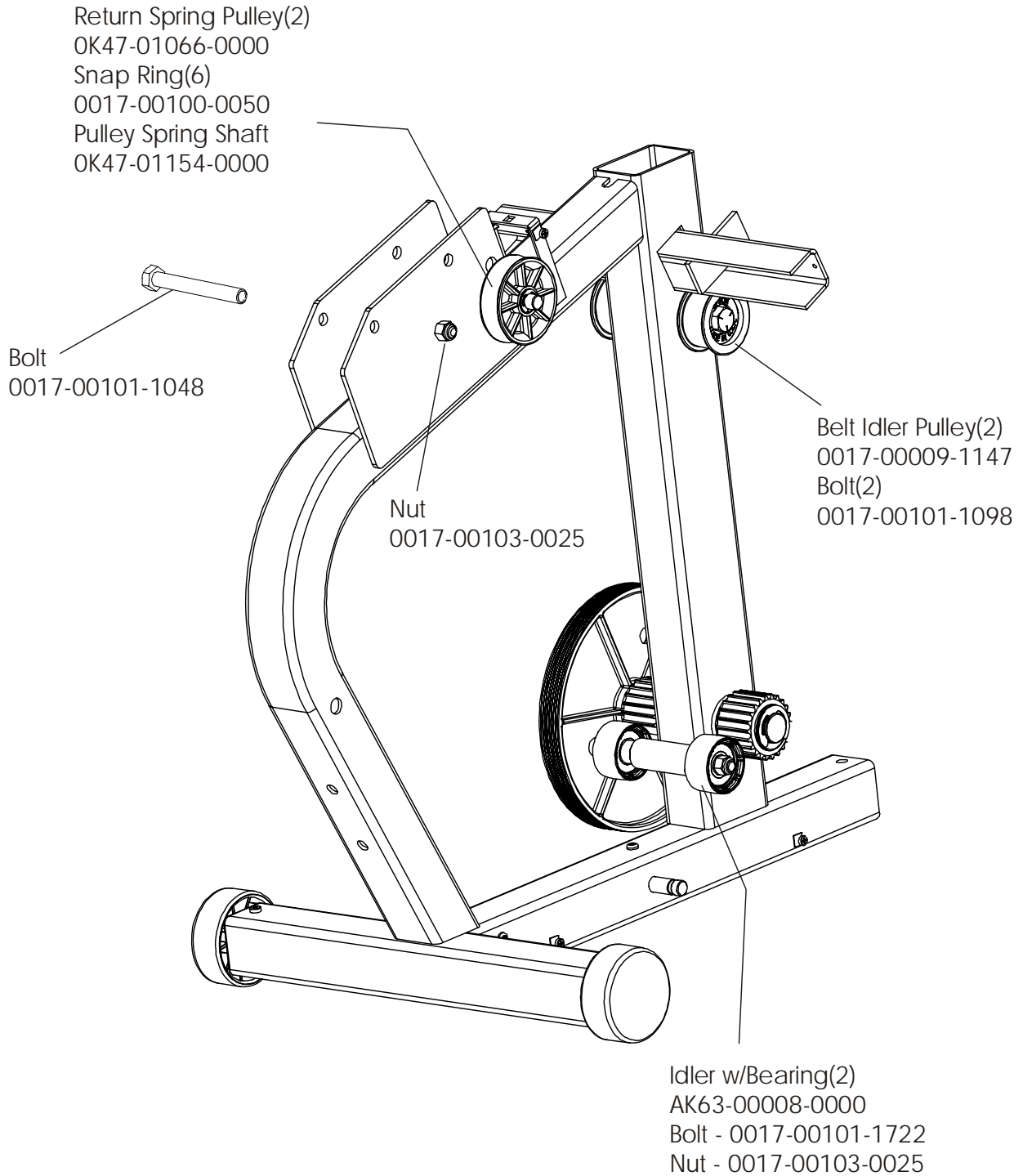
ARCTIC SILVER 95SWEZ
Alternator Assembly

95SWEZ-0xxx-01
S/N SZW100000 and up



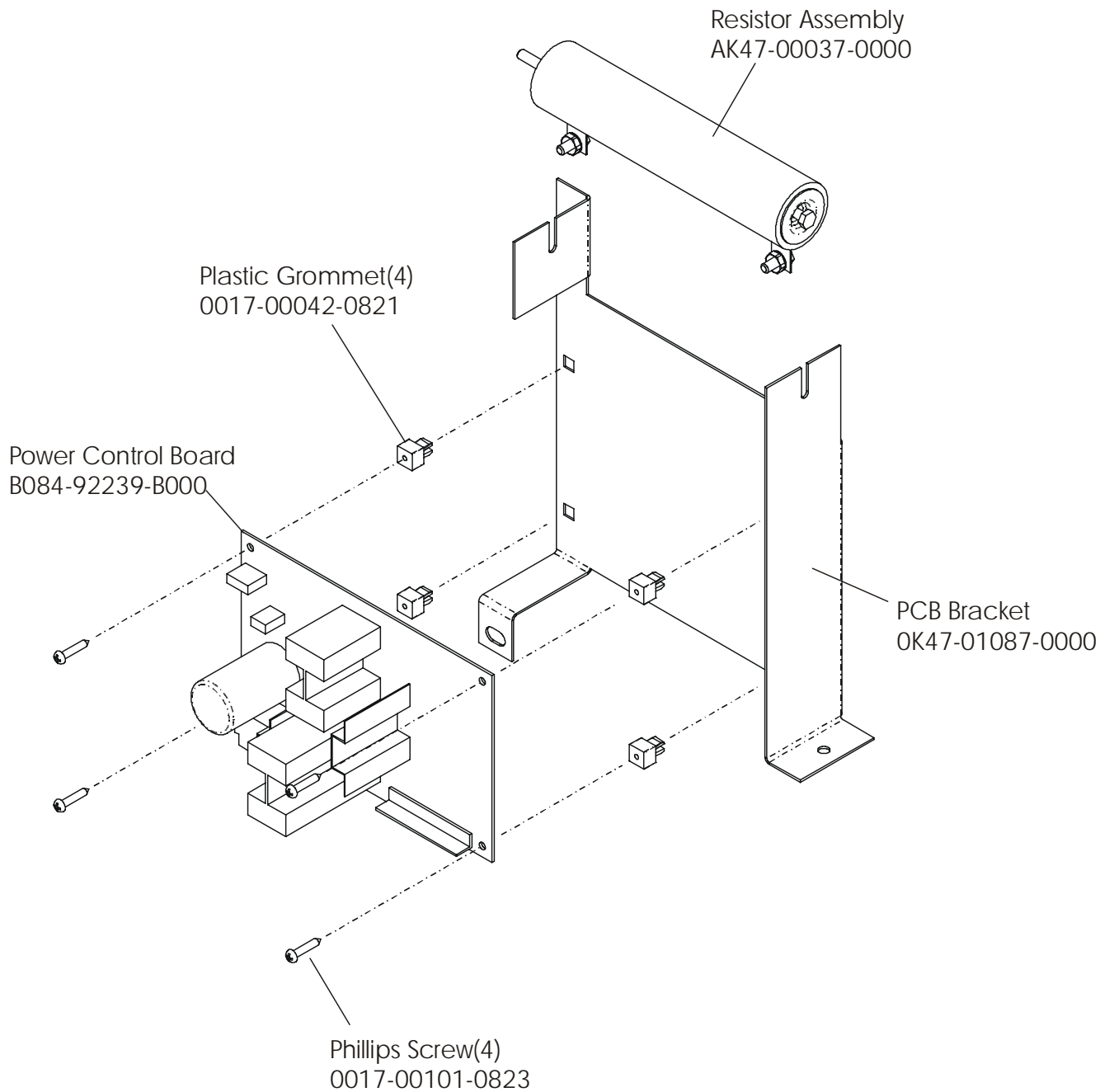
ARCTIC SILVER 95SWEZ
Guide Rollers

95SWEZ-0xxx-01
S/N SZW100000 and up



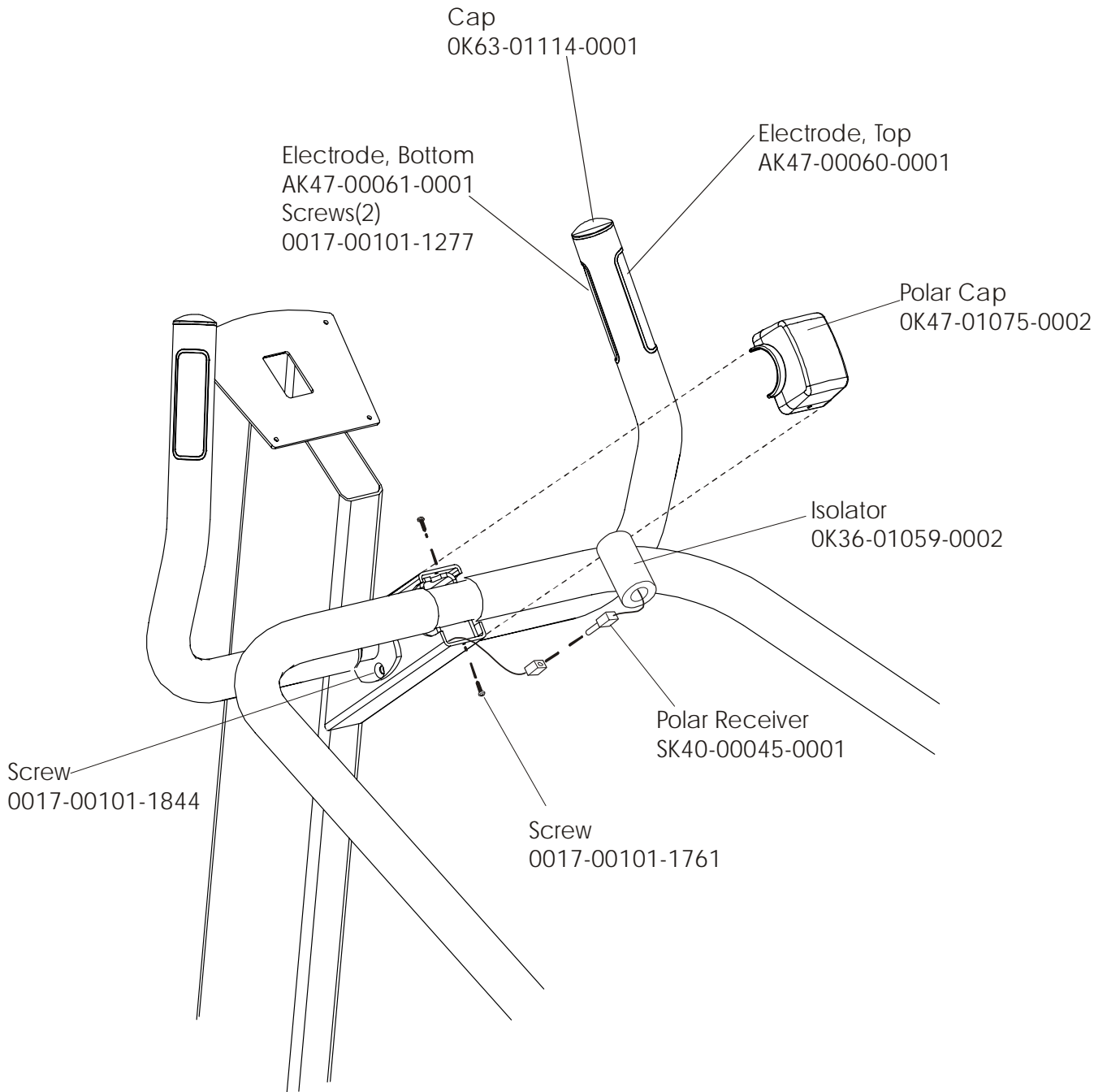
ARCTIC SILVER 95SWEZ
Power Control Board & Resistor

95SWEZ-0xxx-01
S/N SZW100000 and up



ARCTIC SILVER 95SWEZ
Polar Receiver Assembly

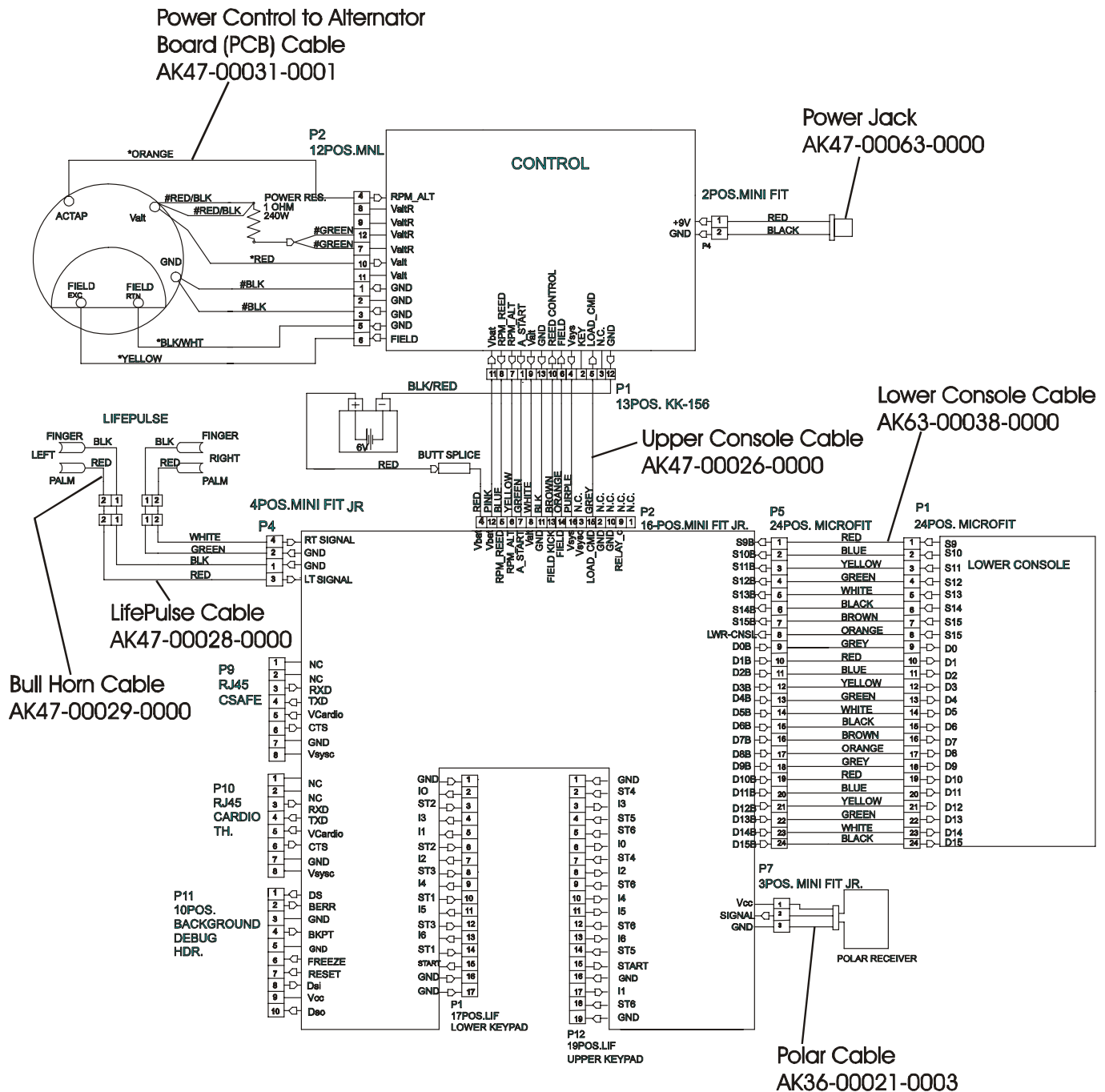
95SWEZ-0xxx-01
S/N SZW100000 and up



ARCTIC SILVER 95SWEZ

Cables

95SWEZ-0xxx-01
S/N SZW10000 and up



Description	Part Number
Domestic 120/60 Battery Charge w/Cord	118E-00001-0165
Universal Battery Charger w/o Line Cord	118E-00001-0166
Line Cord 220V/60Hz	0017-00003-0704
Line Cord 100V/50Hz	
Line Cord 240+	0017-00003-0918
Line Cord 220V/50Hz	0017-00003-0691
Line Cord 200V/50Hz	
Line Cord 230V/50Hz	

Free Manuals Download Website

<http://myh66.com>

<http://usermanuals.us>

<http://www.somanuals.com>

<http://www.4manuals.cc>

<http://www.manual-lib.com>

<http://www.404manual.com>

<http://www.luxmanual.com>

<http://aubethermostatmanual.com>

Golf course search by state

<http://golfingnear.com>

Email search by domain

<http://emailbydomain.com>

Auto manuals search

<http://auto.somanuals.com>

TV manuals search

<http://tv.somanuals.com>