

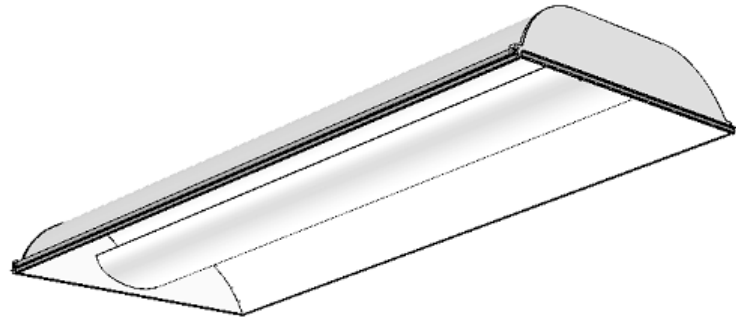
# Coffaire II Recessed Fluorescent **CFH2GPF228 or 254**

Page 1 of 2

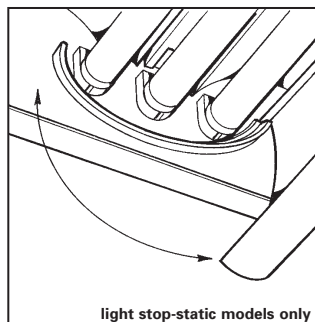
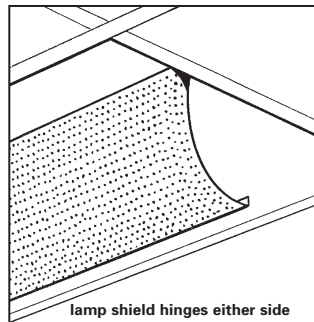
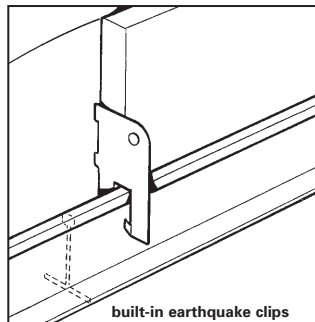
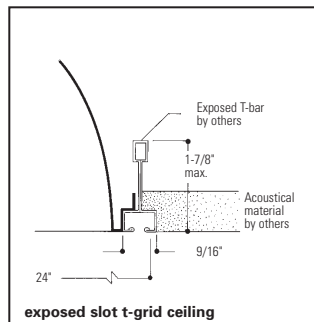
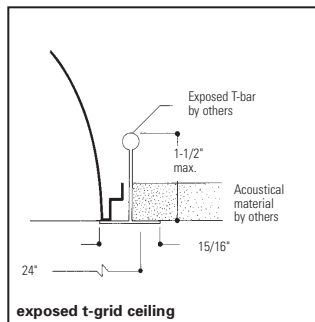
Direct/Indirect – 2' x 4' with Perforated Basket  
Air Return/Static, 2 Lamp T5

## Features

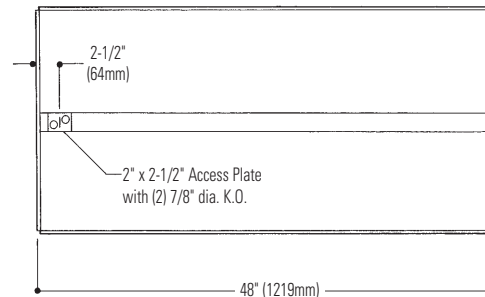
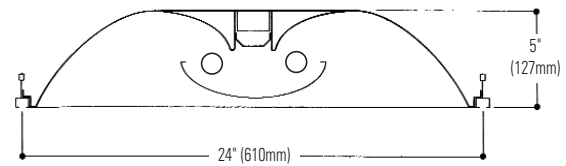
- Direct/indirect lamp shield appearance.
- Perforated mesh lamp shield with white acrylic overlay.
- Contoured body and ends.
- Air return models meet UL 1598, Paragraph 9.2.2.5 requirements.
- 65.0% efficient (2 lamp T5, 28W).
- 70.8% efficient (2 lamp T5, 54W).
- Spacing to mounting ratio 1.3.
- Only 5" deep.
- Tension bars secure ends to body.
- Same fixture fits both G and T ceiling.
- Fits flush to face of slot grid (T) ceiling.
- Static models have injection molded light stop at basket ends.
- Perforated lamp shield hinges from either side.
- Ballast accessible from room side.
- Built-in earthquake clips.
- Can be continuous row mounted.
- Wiring access plate standard.
- Construction to meet NYC Code or Chicago Plenum requirement is available.



## Mounting Methods



## Dimensions



Job Information	Type:
<b>Job Name:</b>	
<b>Cat. No.:</b>	
<b>Lamp(s):</b>	
<b>Volts/Ballast:</b>	

Lightolier a Genlyte company [www.lightolier.com](http://www.lightolier.com)  
 Technical Information: (978) 657-7600 • Fax (978) 658-0595  
 631 Airport Road, Fall River, MA 02720 • (508) 679-8131 • Fax (508) 674-4710  
 We reserve the right to change details of design, materials and finish.  
 © 2005 a Genlyte company **Section 5/Folio M15-40**



# Coffaire II Recessed Fluorescent CFH2GPF228 or 254

### Model No. CFH2GPF228120WA

LER = FP - 57.2 IW - 54.9 BF - 0.93  
Comparative yearly lighting energy cost per 1000 lumens = \$4.20

Report Number: G2004258  
Catalog Number: CFH2GPF228120WA  
Lamps: F28T5  
Luminaire: CFH 2'x4' with perforated basket  
Ballast: WA  
Report is based on 2600 Lumens per lamp.  
Efficiency: 65.0%  
CIE Type-Direct-Indirect  
Plane: 0-Deg 90-Deg  
Spacing Criteria: 1.2 1.3  
Shielding Angles: 55 65  
Plane: 0-Deg 90-Deg  
Luminous Length: 46.800 22.800

#### CANDELA DISTRIBUTION

	0.0	45.0	90.0	FLUX
0	1151	1151	1151	
5	1143	1146	1150	109
15	1091	1108	1125	313
25	999	1038	1076	479
35	871	940	997	586
45	714	814	880	622
55	531	661	730	578
65	333	476	492	441
75	163	206	199	213
85	32	34	34	40
90	2	2	2	

#### COEFFICIENTS OF UTILIZATION – ZONAL CAVITY METHOD. EFFECTIVE FLOOR CAVITY REFLECTANCE 0.20

RC	80	50	30
RW	70	50	30
1	71	68	65
2	64	59	55
3	59	52	46
4	54	46	40
5	49	41	35
6	45	37	31
7	42	33	27
8	39	30	25
9	36	28	22
10	34	26	20

#### LUMINANCE DATA IN CANDELA/SQ. METER

AVERAGE IN DEG.	AVERAGE 0-DEG.	AVERAGE 45-DEG.	AVERAGE 90-DEG.
45	1466.	1672.	1807.
55	1344.	1673.	1848.
65	1144.	1636.	1690.
75	915.	1156.	1116.
85	533.	566.	566.

#### ZONAL LUMEN SUMMARY

ZONE	LUMENS	% LAMP	% FIXT
0- 30	901	17.3	26.6
0- 40	1487	28.6	44.0
0- 60	2687	51.7	79.4
0- 90	3382	65.0	100.0
90-180	0	0.0	0.0
0-180	3382	65.0	100.0

### Model No. CFH2GPF254120PG

LER = FP - 50.7 IW - 123.2 BF - 1.00  
Comparative yearly lighting energy cost per 1000 lumens = \$0.00

Report Number: G2004261  
Catalog Number: CFH2GPF254120PG  
Lamps: FP54/835  
Luminaire: Coffaire direct/indirect with perforated basket  
Ballast: QT2X54/120  
Report is based on 4400 Lumens per lamp.  
Efficiency: 70.8%  
CIE Type-Direct-Indirect  
Plane: 0-Deg 90-Deg  
Spacing Criteria: 1.2 1.3  
Shielding Angles: 55 65  
Plane: 0-Deg 90-Deg  
Luminous Length: 46.920 22.920

#### CANDELA DISTRIBUTION

	0.0	45.0	90.0	FLUX
0	2082	2082	2082	
5	2069	2073	2078	197
15	1986	2006	2035	568
25	1834	1885	1947	871
35	1621	1711	1803	1072
45	1354	1488	1593	1143
55	1040	1212	1324	1071
65	690	878	905	828
75	323	388	373	401
85	63	67	65	78
90	0	0	0	

#### COEFFICIENTS OF UTILIZATION – ZONAL CAVITY METHOD. EFFECTIVE FLOOR CAVITY REFLECTANCE 0.20

RC	80	50	30
RW	70	50	30
1	77	74	71
2	70	64	59
3	64	56	50
4	58	50	43
5	53	44	38
6	49	40	33
7	46	36	30
8	42	33	27
9	40	30	24
10	37	28	22

#### LUMINANCE DATA IN CANDELA/SQ. METER

AVERAGE IN DEG.	AVERAGE 0-DEG.	AVERAGE 45-DEG.	AVERAGE 90-DEG.
45	2759.	3032.	3246.
55	2612.	3044.	3326.
65	2352.	2993.	3085.
75	1798.	2160.	2076.
85	1041.	1108.	1075.

#### ZONAL LUMEN SUMMARY

ZONE	LUMENS	% LAMP	% FIXT
0- 30	1636	18.6	26.3
0- 40	2708	30.8	43.5
0- 60	4921	55.9	79.0
0- 90	6229	70.8	100.0
90-180	0	0.0	0.0
0-180	6229	70.8	100.0

## Ordering Information

Explanation of Catalog Number. Example: CFH2GPF228120WA

<b>CF</b> Coffaire II: Direct/Indirect: Recessed with Perforated Mesh Shield	<b>CY</b> For NYC Code – I.B.E.W. Manufactured	<b>CN</b> For NYC Code – Local 3 Manufactured	<b>2</b> Body Style: H = Air Return S = Static	<b>G</b> Fixture Width	<b>P</b> Ceiling Type: Fits both Standard Grid and Slot Grid	<b>F</b> Perforated Lamp Shield	<b>2</b> Flat White Reflector	<b>2</b> Lamp Quantity 2=2 Lamp	<b>28-28W T5 54-54W T5 (Nominal 48")</b> Lamp: (By Others) 28-28W T5 54-54W T5 (Nominal 48")	<b>120, 277 or UNV=120-277</b> Voltage: 120, 277 or UNV=120-277	<b>Ballast Type:</b> <20THD <10THD 1-2 Lamp 28W Elec. T5 – PI † 1-2 Lamp 28W Elec. T5 – PG †† 1-2 Lamp 54W Elec. T5 – PG †† Linear T5 Instant Start less than 10THD, 57.5 Input Watts, 0.93 Ballast Factor †Instant Start (120, 277 or UNV) ††Program Rapid Start (UNV only)	<b>Options:</b> Add appropriate suffix to catalog no., ie: (GLR)
---	---	--	---	---------------------------	---	------------------------------------	----------------------------------	------------------------------------	---	--	---	---

## Options/Accessories

**Fusing:** Internal fast blow fusing: SUFFIX: **GLR**.  
Internal slow blow fusing: SUFFIX: **GMF**.  
**Drywall Kit:** Order Catalog Number: **FK92X4** and **CF4FK SPACER**.  
**Electrical Wiring Options:** Consult factory.

## Specifications

**Performance:** In an installation of 2 lamp 28W luminaires in a room cavity ratio of 1, with reflectance 80% ceiling, 50% wall, 20% floor, the C.U. shall not be less than .68. To reduce glare the average brightness at 65° shall not exceed 1690 candelas per square meter. To control veiling reflections, luminaire output in the 30°-90° zone shall not be less than 73.4%.  
**Materials:** Chassis parts are die-formed code gauge steel.  
**Lamp Shield:** 22 gauge steel perforated mesh lamp shield with white acrylic overlay.  
**Finish:** Chassis exterior – baked white polyester enamel. Cavity – baked flat white polyester enamel. Reflector – baked flat white polyester enamel, mini-

## Specifications (continued)

mum 86% reflectance. Phosphate undercoating. Lamp Shield – baked flat white acrylic enamel.  
**Electrical:** Thermally protected class "P" ballast C.B.M. approved, non PCB. If K.O. is within 3" of ballast, use wire suitable for at least 90°.  
UL Listed for damp locations.  
**Labels:** I.B.E.W./UL and ULc Listed.

## Job Information Type:

Lightolier a Genlyte company www.lightolier.com  
Technical Information: (978) 657-7600 • Fax (978) 658-0595  
631 Airport Road, Fall River, MA 02720 • (508) 679-8131 • Fax (508) 674-4710  
We reserve the right to change details of design, materials and finish.  
© 2005 a Genlyte company Section 5/Folio M15-40



## Free Manuals Download Website

<http://myh66.com>

<http://usermanuals.us>

<http://www.somanuals.com>

<http://www.4manuals.cc>

<http://www.manual-lib.com>

<http://www.404manual.com>

<http://www.luxmanual.com>

<http://aubethermostatmanual.com>

Golf course search by state

<http://golfingnear.com>

Email search by domain

<http://emailbydomain.com>

Auto manuals search

<http://auto.somanuals.com>

TV manuals search

<http://tv.somanuals.com>