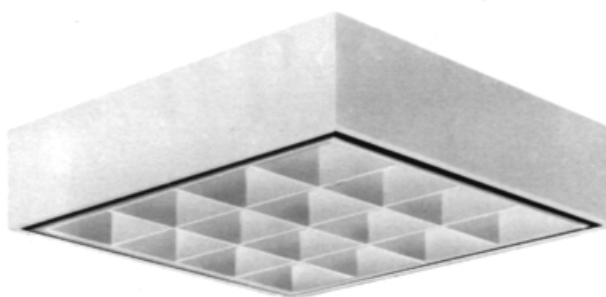


DEEPCELL SURFACE DPB2S16LS26U OR 22U

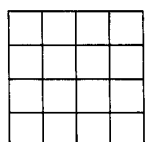
Page 1 of 2 2' x 2' SURFACE FLUORESCENT, 3" TYPE, 16 CELL PARABOLIC LOUVER, 2 LAMP T8 OR T12

Features

- Only 5-1/2" deep.
- 20 gauge steel body.
- 45° mitered corners (body and louver).
- Side-mounted ballast for cooler operation.
- Coilzak® aluminum parabolic louver.
- Vertical grain on louver eliminates reflected lamp images on cross baffle.
- Perfectly uniform four-side black reveal.
- Spring-loaded "roosterhead" latches.
- Reversible louver hinging.
- Door jamb with integral positive light stop.
- Flush end K.O.s for smooth surface appearance (at end of row or individual).
- Protective film dust guard.
- Louver interchangeable with Prismalyte (PNB).
- Meets NYC Code requirements.

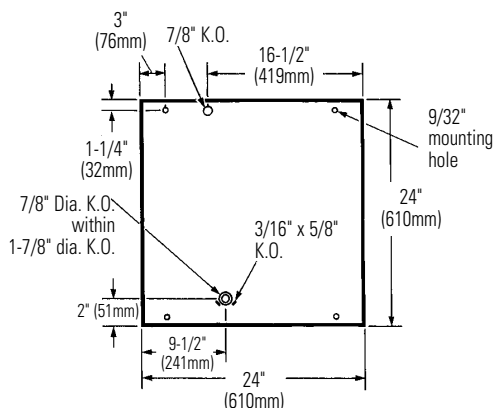
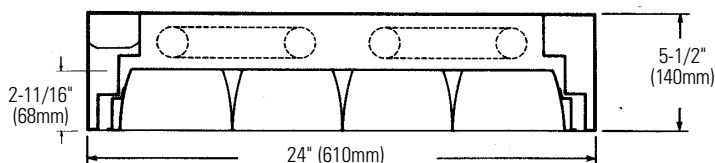


LOUVER CONFIGURATION

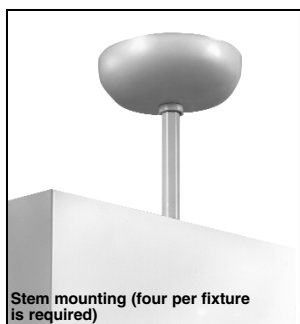


16 Cells

DIMENSIONS



MOUNTING METHOD



Stem mounting (four per fixture is required)

Job Information

Type:

Job Name:

Cat. No.:

Lamp(s):

Volts/Ballast:

Lightolier a Genlyte Thomas Company

www.lightolier.com

Technical Information: (978) 657-7600 • Fax (978) 658-0595

631 Airport Road, Fall River, MA 02720 • (508) 679-8131 • Fax (508) 674-4710

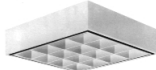
We reserve the right to change details of design, materials and finish.

© 2002 Genlyte Thomas Group LLC (Lightolier Division)

A0902

Section 2A/Folio G50-85 REV. B

LIGHTOLIER®



DEEPCELL SURFACE DPB2S16LS26U OR 22U

Page 2 of 2 2' x 2' SURFACE FLUORESCENT, 3" TYPE, 16 CELL PARABOLIC LOUVER, 2 LAMP T8 OR T12

PHOTOMETRY

GT TESTING LABORATORY
45 Industrial Way
Wilmington, MA 01887
(978) 657-7600

REPORT NO.: G01022 DATE: 05-29-01
CATALOG NO.: DPB2S16LS26U120S0
LAMP(S): 2 T8 U6, EACH RATED 2750 LUMENS.
LUMINAIRE: 2X2 MODULAR WITH 16 CELL SEMI-SPEC LOUVER
TRIAD B0321120
0.47 AMPS 55.7 WATTS

CANDELA DISTRIBUTION

CANDELA	DISTRIBUTION	FLUX
0.0	22.5	45.0
0.0	1410	1410
5	1406	1407
15	1326	1351
25	1200	1253
35	1032	1093
45	802	831
55	512	473
65	84	86
75	20	20
85	5	5
90	0	0

ZONAL LUMEN SUMMARY

ZONE	LUMENS	%LAMP	%FIXT
0-30	1147	20.9	38.5
0-40	1793	32.6	60.1
0-60	2840	51.6	95.3
0-90	2982	54.2	100.0
90-180	0	0.0	0.0
0-180	2982	54.2	100.0

TOTAL LUMINAIRE EFFICIENCY = 54.2 %
TOTAL REFLECTANCE OF PAINT = 90.0 %
CIE TYPE - DIRECT
PLANE SPACING CRITERIA : 0-DEG 90-DEG
SHIELDING ANGLES : 35 35
PLANE : 0-DEG 90-DEG
LUMINOUS LENGTH : 21.000 21.000

LUMINANCE DATA IN CANDELA/SQ M

ANGLE IN DEG	AVERAGE	AVERAGE	AVERAGE
0-DEG	3985.	3433.	3891.
45-DEG	3136.	2842.	4251.
60-DEG	698.	914.	798.
75-DEG	271.	271.	285.
85-DEG	202.	202.	161.

THIS REPORT IS BASED ON PUBLISHED INDUSTRY PROCEDURES • FIELD PERFORMANCE MAY DIFFER FROM LABORATORY PERFORMANCE

MODEL NO. DPB2S16LS26U120S0

coefficients of utilization — zonal cavity method

	RF	20	20	20
RC	80	50	30	
RW	70	50	30	10
room cavity ratio	1	60	58	57
	2	56	52	50
	3	52	47	44
	4	48	43	38
	5	45	38	34
	6	41	35	31
	7	39	32	28
	8	36	29	25
	9	34	27	23
	10	32	25	21

visual comfort probability

room size	L	ceiling height			ceiling height				
W	L	8.5	10.0	13.0	16.0	8.5	10.0	13.0	16.0
20	20	81	74	70	74	80	72	66	74
20	30	82	76	72	70	81	74	69	68
20	40	84	78	75	72	83	76	72	70
20	60	85	80	77	74	84	78	74	72
30	20	84	79	72	73	83	77	69	74
30	30	85	80	74	70	84	78	71	68
30	40	86	81	76	72	85	80	74	70
30	60	86	82	78	74	86	81	76	72
30	80	87	83	79	76	86	82	77	74
40	20	86	81	75	74	85	79	73	75
40	30	87	82	77	71	86	80	75	70
40	40	87	83	79	73	87	82	77	72
40	60	87	84	80	74	87	83	78	73
40	80	88	84	81	76	87	84	79	75
40	100	88	85	82	77	87	84	81	77
60	30	87	83	78	74	86	82	76	73
60	40	88	84	80	75	87	83	78	74
60	60	88	85	81	76	87	84	79	75
60	80	88	85	82	78	87	84	81	77
60	100	88	85	83	79	88	85	82	78
100	40	88	84	81	77	87	83	79	76
100	60	88	85	82	78	88	84	81	77
100	80	88	86	83	79	88	85	82	78
100	100	88	86	84	80	88	85	83	79

ORDERING INFORMATION Explanation of Catalog Number. Example: DPB2S16LS26U120SOGLR

DP DEEPCELL PARABOLIC: Pre-anodized Aluminum Louver	B BODY STYLE: Surface Box	2 FIXTURE WIDTH	S CEILING TYPE: S=Surface	16 NUMBER OF CELLS L= Low-iridescence semi-specular (standard) P= Low-iridescence specular W= White Paint	S BALLAST COVER	2 LAMP QUANTITY: (By Others) 2=2 Lamp	LAMP/FIXTURE LENGTH: 2U=T8, 1-5/8" U Lamp 6U=6" U Lamp T8 or T12 (Nominal 24")	VOLTAGE: 120 or 277	BALLAST TYPE: 1-2 Lamp Mag. T12 1-2 Lamp Elec. T8 LOL Dimming T8 *Instant Start Standard Other dimming options. Consult factory.	OPTIONS: Add appropriate suffix to catalog no., ie: (GLR) LE <20THD <10THD S0* HI* PS -
---	-------------------------------------	---------------------------	-------------------------------------	--	---------------------------	---	---	-------------------------------	--	--

*Consult factory for availability of louver finishes.

OPTIONS & ACCESSORIES

STEM AND CANOPY SETS: Suspends fixture 6", 12", 18" or 24" from surface. (Four per fixture is recommended.) **Catalog Number: ASC6 CSP (6"), ASC12 CSP (12"), ASC18 CSP (18"), ASC24 CSP (24")**

FUSING: Internal fast-blow fusing. SUFFIX: **GLR.**

Internal slow-blow fusing. SUFFIX: **GMF.**

RADIO INTERFERENCE FILTER 120 or 277 volt, 50 or 60 Hz. One per fixture is standard. SUFFIX: **RF.**

ELECTRICAL/WIRING OPTIONS Consult factory.

SPECIFICATIONS

PERFORMANCE: In an installation of 2U lamp 31W luminaires in a room cavity ratio of 1, with a reflectance of 80% ceiling, 50% wall, 20% floor, the C.U. shall not be less than .58. To prevent glare the VCP shall be not less than 87 either lengthwise or cross wise (at 100fc level) and the average brightness at 65° shall not exceed 914 footlamberts. To control veiling reflections, luminaire output in the 30°-90° zone shall be not less than 61.5%.

SPECIFICATIONS (continued)

MATERIALS: Chassis parts are die-formed 20 gauge cold rolled steel, stud-welded for rigidity with all seams finished smooth.

LOUVER: pre-anodized aluminum (Coilzak® or equal).

STANDARD FINISH: **Louver**—low iridescence, semi-specular pre-anodized vertical grain reflector sheet. **Cavity**—white baked acrylic enamel minimum 86% reflectance. Phosphate undercoating. **Chassis exterior**—white baked acrylic enamel.

ELECTRICAL: Thermally protected class "P" ballast C.B.M. approved, non PCB. If K.O. is within 3" of ballast, use wire suitable for at least 90°.

LABELS: I.B.E.W./UL and C-UL.

Job Information

Type:

Lightolier a Genlyte Thomas Company www.lightolier.com
Technical Information: (978) 657-7600 • Fax (978) 658-0595
631 Airport Road, Fall River, MA 02720 • (508) 679-8131 • Fax (508) 674-4710
We reserve the right to change details of design, materials and finish.
© 2002 Genlyte Thomas Group LLC (Lightolier Division)
A0902 **Section 2A/Folio G50-85 REV. B**

LIGHTOLIER

Free Manuals Download Website

<http://myh66.com>

<http://usermanuals.us>

<http://www.somanuals.com>

<http://www.4manuals.cc>

<http://www.manual-lib.com>

<http://www.404manual.com>

<http://www.luxmanual.com>

<http://aubethermostatmanual.com>

Golf course search by state

<http://golfingnear.com>

Email search by domain

<http://emailbydomain.com>

Auto manuals search

<http://auto.somanuals.com>

TV manuals search

<http://tv.somanuals.com>