

# VR PARABOLIC VRA2G9LS26U

Page 1 of 2

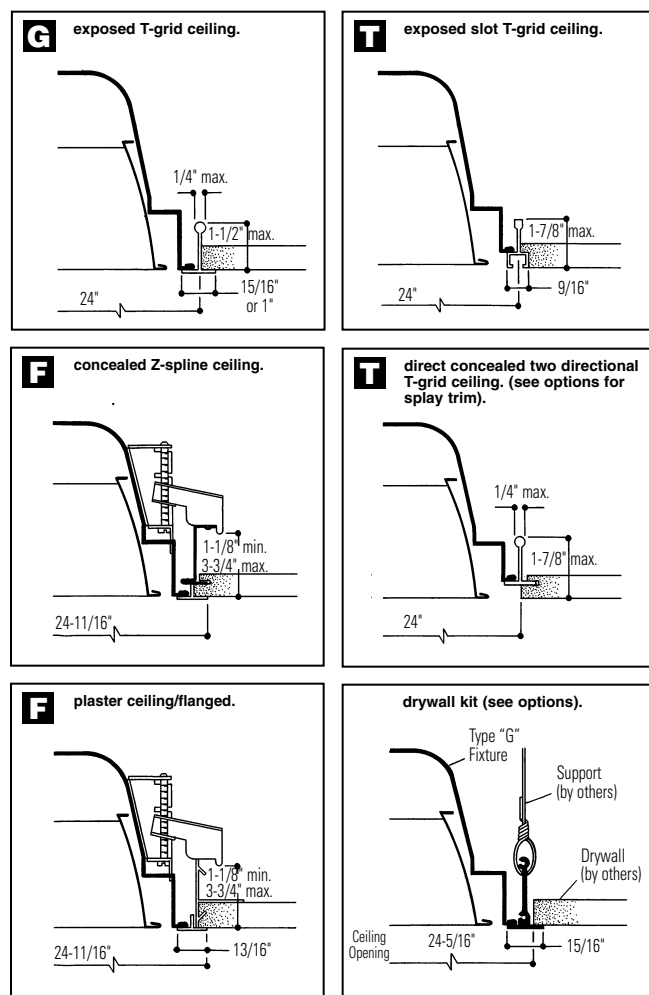
2'x2' RECESSED FLUORESCENT, 4" DEEP, 9 CELL (3x3) PARABOLIC LOUVER  
AIR SUPPLY/RETURN/HEAT EXTRACTION, IES RP1 FOR NORMAL VDT USE

## Features

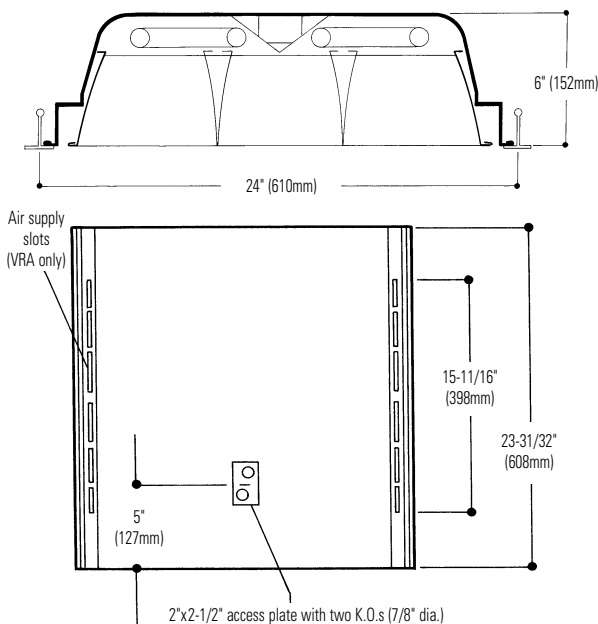
- Meets IES RP1 for lighting VDT areas with normal use.
- 57.1% efficient (T8).
- 1.3 spacing mounting ratio.
- Only 6" deep body.
- One-piece housing.
- Semi-specular low iridescence pre-anodized louver.
- Spring-loaded latches.
- Concealed "T" hinges.
- Louver frame with integral positive light stop.
- Earthquake clips included.
- Louver has protective film dust guard.
- Air closure strips (optional).
- Air flow pattern dampers (optional).
- UL-Listed twin knockout access plate.
- Construction to meet Chicago Plenum Code is available.



## MOUNTING METHOD



## DIMENSIONS



## Job Information

## Type:

**Job Name:**

**Cat. No.:**

**Lamp(s):**

**Volts/Ballast:**

Lightolier a Genlyte Thomas Company

www.lightolier.com

Technical Information: (978) 657-7600 • Fax (978) 658-0595

631 Airport Road, Fall River, MA 02720 • (508) 679-8131 • Fax (508) 674-4710

We reserve the right to change details of design, materials and finish.

© 2002 Genlyte Thomas Group LLC (Lightolier Division)

A0902

**SECTION 2/Folio G05-40 REV. A**

**LIGHTOLIER®**



# VR PARABOLIC VRA2G9LS26U


2'x2' RECESSED FLUORESCENT, 4" DEEP, 9 CELL (3x3) PARABOLIC LOUVER AIR SUPPLY/RETURN/HEAT EXTRACTION, IES RP1 FOR NORMAL VDT USE

## PHOTOMETRY

MODEL NO. VRA2G9LS26USO

LER = FP - 47.8 IW - 59.2 BF - 93.6

Comparative yearly lighting energy cost per 1000 lumens = \$5.02



INDEPENDENT TEST: HQ LABORATORIES INC. • 3208 LOUGHORN ROAD, BOULDER, CO 80502 USA • PHONE (303) 442-1255 FAX (303) 448-5274

REPORT NUMBER: IT142446 DATE: 05-07-94  
 PREPARED FOR: LIGHTOLIER  
 CATALOG NUMBER: VRA2G9LS26U120SO

LUMINAIRE: FABRICATED METAL HOUSING, WHITE PAINTED INTERIOR FINISH,  
 FABRICATED SEMI-SPECULAR PARABOLIC 9-CELL LOUVER  
 LAMPS: TWO 31-WATT FB178/T1/41/6 U-LAMP FLUORESCENTS, EACH RATED 2650  
 LUMENS, HORIZONTAL POSITION.  
 BALLAST: MAGNETEK TRIED B221120MH, BALLAST FACTOR = 93.6%  
 MOUNTING: RECESSED  
 TOTAL INPUT WATTS = 59.2 AT 120.0 VOLTS  
 THE 0 DEGREE PLANE IS OPPOSITE THE SOCKETS.

**CANDELA DISTRIBUTION**

0	45	90	FLUX
0	1521	1521	1521
5	1516	1518	1517
15	1446	1447	1448
25	1170	1310	1258
35	1142	1103	1088
45	911	874	981
55	560	506	467
65	45	48	31
75	10	9	6
85	1	0	0
90	0	0	0

**ZONAL LUMEN SUMMARY**

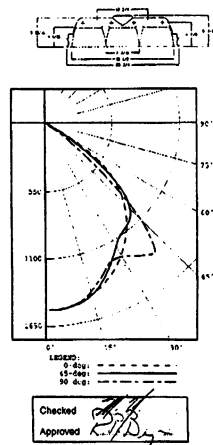
ZONE	LUMENS	%LAMP	%FIXT
0-30	1139	21.5	37.7
0-45	1869	35.1	61.8
0-60	2977	56.2	98.4
0-90	3025	57.1	100.0
90-180	0	0	0
0-180	3025	57.1	100.0

TOTAL LUMINAIRE EFFICIENCY = 57.1 %  
 TOTAL REFLECTANCE OF PAINT = 92.9 %

CIE TYPE - DIRECT  
 PLANE : 0-DEG 90-DEG  
 SPACING CRITERIA : 1.2 1.3  
 SHIELDING ANGLES : 29 33  
 PLANE : 0-DEG 90-DEG  
 LUMINOUS LENGTH : 21.500 21.500

**LUMINANCE DATA IN CANDELA/SQ M**

ANGLE IN DEG	AVERAGE	AVERAGE	AVERAGE
0-DEG	4318.	4650.	5252.
45	3272.	2729.	1064.
65	357.	246.	135.
75	130.	78.	52.
85	38.	0.	0.



Checked Approved

**coefficients of utilization — zonal cavity method** (effective floor cavity reflectance 0.20)

	RF	20			50			20		
	RC	80			50			30		
	RW	70	50	30	50	30	10	50	30	10
room cavity ratio	1	64	62	60	58	57	56	56	55	54
	2	59	56	53	53	51	49	51	49	48
	3	55	50	47	48	45	43	47	44	42
	4	51	46	42	44	40	38	42	40	37
	5	48	41	37	40	36	33	39	36	33
	6	44	38	33	36	33	30	35	32	30
	7	42	34	30	33	29	27	32	29	27
	8	38	32	27	30	27	24	30	26	24
	9	36	29	25	28	24	22	28	24	22
	10	34	27	23	26	22	20	26	22	20

**visual comfort probability** (rated lumens per lamp 3150.)

room size		ceiling height				ceiling height			
W	L	8.5	10.0	13.0	16.0	8.5	10.0	13.0	16.0
20	20	91	85	77	77	92	90	85	76
20	30	92	87	81	77	92	90	88	81
20	40	92	89	84	80	92	90	88	84
20	60	92	89	86	82	92	91	88	84
30	20	91	85	81	78	92	91	87	77
30	30	92	88	84	78	92	91	89	81
30	40	92	89	87	81	92	91	89	83
30	60	92	89	88	83	92	91	89	84
30	80	93	90	88	83	92	90	89	84
40	20	91	85	81	81	92	91	87	79
40	30	92	88	84	81	92	91	89	83
40	40	92	89	87	83	92	91	89	85
40	60	93	90	88	85	93	90	89	84
40	80	93	90	88	85	93	90	89	84
40	100	93	90	88	85	93	90	89	84
60	30	92	83	84	81	92	91	89	83
60	40	93	90	87	83	92	90	89	84
60	60	93	90	88	85	93	90	89	84
60	80	93	90	88	85	93	90	89	83
60	100	93	90	88	85	93	90	89	83
100	40	93	90	87	83	93	90	89	84
100	60	93	90	88	85	93	90	89	83
100	80	93	90	88	85	93	90	89	84
100	100	93	90	88	85	93	90	89	84

## ORDERING INFORMATION

Explanation of Catalog Number. Example: VRA2G9LS26U120SOGLR

<b>VR</b>	<b>2</b>	<b>9</b>	<b>S</b>	<b>2</b>	<b>6U</b>		
<b>VR:</b> 4" Deep Pre-anodized Aluminum Louver For Normal VDT Use	<b>BODY STYLE:</b> A=Air Handling S=Static	<b>CEILING TYPE:</b> G= Grid (lay-in T bar) F=Flanged (overlap) Z spline and plaster frame T=Slot grid or two-directional concealed T (see options)	<b>LOUVER FINISH*:</b> L=Low Iridescence Semi-specular (standard) P=Low Iridescence Specular	<b>LAMP QUANTITY</b>	<b>LAMP TYPE/ FIXTURE LENGTH:</b> 6"U LAMP T8 OR T12 (Nominal 24")	<b>VOLTAGE:</b> 120 or 277	<b>OPTIONS:</b> Add appropriate suffix to catalog no. ie: (GLR) LE <20THD SO* HI* PS -

Other dimming options consult factory.

## OPTIONS & ACCESSORIES

**PLASTER FRAME:** Catalog Number: PF22.

**CONTINUOUS ROW INSTALLATION:** For F type fixtures, half-width flanges are required between fixtures, Order Catalog Number: S2FCTRIM (each joint).

**SPLAY TRIM:** For T ceiling type only. SUFFIX: CT22 S2 SPLAY TRIM.

**RADIO INTERFERENCE FILTER:** 120 or 277 volt, 50 or 60 Hz. One per fixture standard. SUFFIX: RF.

**ELECTRICAL WIRING OPTIONS:** Consult factory.

**AIR CLOSURE STRIPS:** SUFFIX ACS2 (factory installed).

**DRYWALL KIT:** Order Catalog Number: FK92X2. (Request Folio OA30-10.)

**CHICAGO PLENUM:** SUFFIX: CP.

## SPECIFICATIONS

**PERFORMANCE:** In an installation of 2 lamp 31W luminaires in a room cavity type of 1, reflectance 80% ceiling, 50% wall, 20% floor, the C.U. shall not be less than .62 with a spacing to mounting ratio of 1.3 perpendicular to the lamps. To meet IES RP1 preferred requirements for VDT areas the VCP (visual comfort probability) shall not be less than 93 either crosswise or lengthwise and the maximum average brightness at 65°, 75° and 85° shall not exceed 357, 130, and 38 candelas per square meter respectively in the 0°, 45°, and 90° horizontal planes. Candelas at Nadir (0°) not to exceed 1521.

## SPECIFICATIONS (continued)

**AIR HANDLING:** (VRA only) side air passages for air supply or air return.

Optional side closure strips. Air return is also provided through the lamp compartment through fixture body ends.

**MATERIALS: Chassis parts** are die-formed code gauge cold rolled steel.

**Housing** side rails hemmed over and housing ends turned-in for safe handling.

**LOUVER:** Pre-anodized aluminum (Coilzak® or equal).

**FINISH: Chassis exterior**—black baked polyester enamel. **Cavity**—white baked polyester enamel minimum 86% reflectance. Phosphate undercoating.

**Louver**—low iridescence semi-specular anodized vertical grain aluminum reflector sheet is standard.

**ELECTRICAL:** Thermally protected class "P" ballast C.B.M. approved, non PCB. If K.O. is within 3" of ballast, use wire suitable for at least 90°.

**LABELS:** I.B.E.W./UL and C-UL.

## Job Information Type:

**Lightolier** a Genlyte Thomas Company www.lightolier.com  
 Technical Information: (978) 657-7600 • Fax (978) 658-0595  
 631 Airport Road, Fall River, MA 02720 • (508) 679-8131 • Fax (508) 674-4710  
 We reserve the right to change details of design, materials and finish.  
 © 2002 Genlyte Thomas Group LLC (Lightolier Division)  
**SECTION 2/Folio G05-40 REV. A**  
 A0902

LIGHTOLIER®

## Free Manuals Download Website

<http://myh66.com>

<http://usermanuals.us>

<http://www.somanuals.com>

<http://www.4manuals.cc>

<http://www.manual-lib.com>

<http://www.404manual.com>

<http://www.luxmanual.com>

<http://aubethermostatmanual.com>

Golf course search by state

<http://golfingnear.com>

Email search by domain

<http://emailbydomain.com>

Auto manuals search

<http://auto.somanuals.com>

TV manuals search

<http://tv.somanuals.com>