

ACTUATOR LA32

Features:

- 24 V DC permanent magnet motor
- Thrust up to 6000 N (with ball screw)
- Stainless steel piston rod
- High-strength plastic housing protects motor and gears
- Elegant and compact design with small installation dimensions
- Protection class: IPX1
- Colour: black
- 2250 mm straight cable with 6.3 mm jack plug
- Low noise level: 46 dB (A); measuring method DSI/EN ISO 3746, actuator not loaded
- LA32K with ball screw and double-acting brake (i.e. push and pull / both directions)

Options:

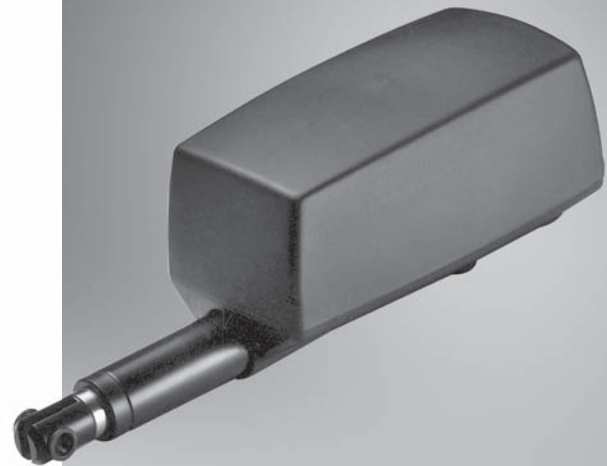
- Protection class: IPX5 or IPX6
- Reed-switch for exact positioning (8 pulses per spindle revolution)
- LA32 with 5 mm pitch F: Manual quick release
- LA32 with 5 mm pitch FH: Manual quick release with dampened movement
- Mechanical splines function (push only)
- Electrical splines function, built-in micro-switch in back fixture, the actuator can therefore only be used for push. (Only with 01 and 02 back fixture)
- LA32K with ball screw and double-acting brake (i.e. push and pull/both directions)
- LA32KAS with ball screw and safety nut
- LA32KSM with ball screw, safety nut and mechanical splines
- Available with 0.2 m or 0.4 m coiled cable
- LA32JKSM available with 2-speed facility for the LINAK JUMBO SYSTEM
- CS32; electronic limit switch (built-in)

Usage:

- Duty cycle: Max. 10% or 2 minutes continuous use followed by 18 min. not in use
- Ambient temperature +5° to +40° C
- For use with LINAK control boxes CB8, CB12, CB14 and CS16 PCB or internal CS32 PCB
- Should LA32 be used with a non LINAK control unit, please ask the nearest LINAK representative for further details

Accessories::

- CS16; electronic limit switch
- Optical encoder
- SLS: safety limit switch



MEDLINE
IMPROVING EFFICIENCY
TECHLINE
IMPROVING FLEXIBILITY

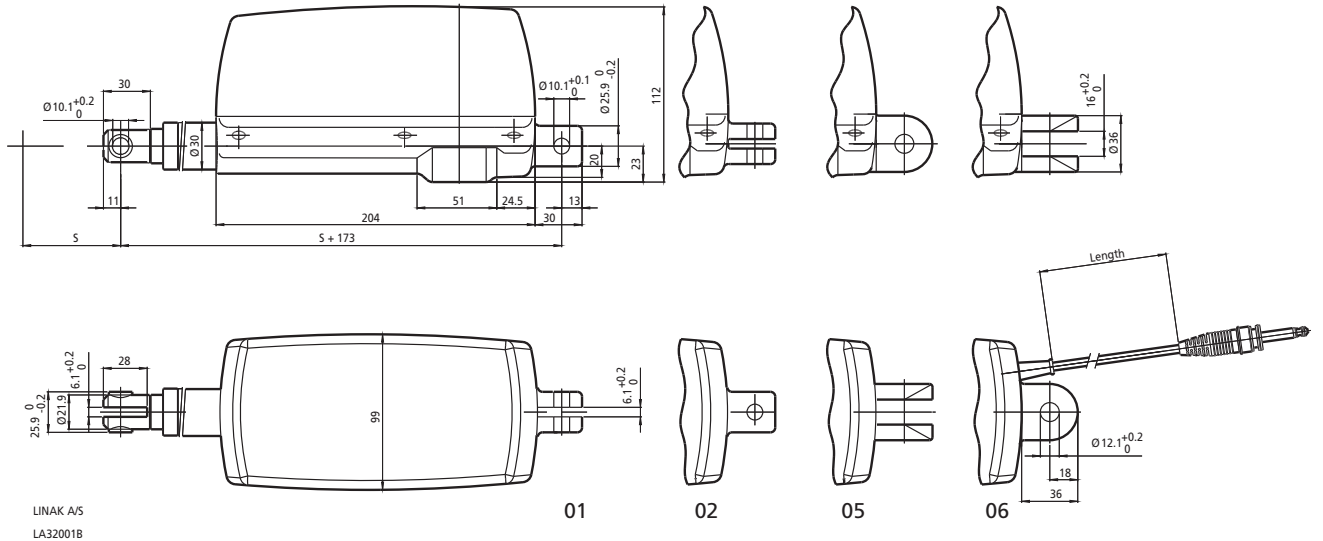
The LA32 is a powerful actuator that can be supplied with a ball screw spindle to give outstanding performance. The ideal choice for a wide range of applications including adjustment of hospital beds.

The LA32 has many special options including a safety nut, splines, quick release (F) and an optional protection class up to IPX6 standard.



WE IMPROVE YOUR LIFE

Dimension

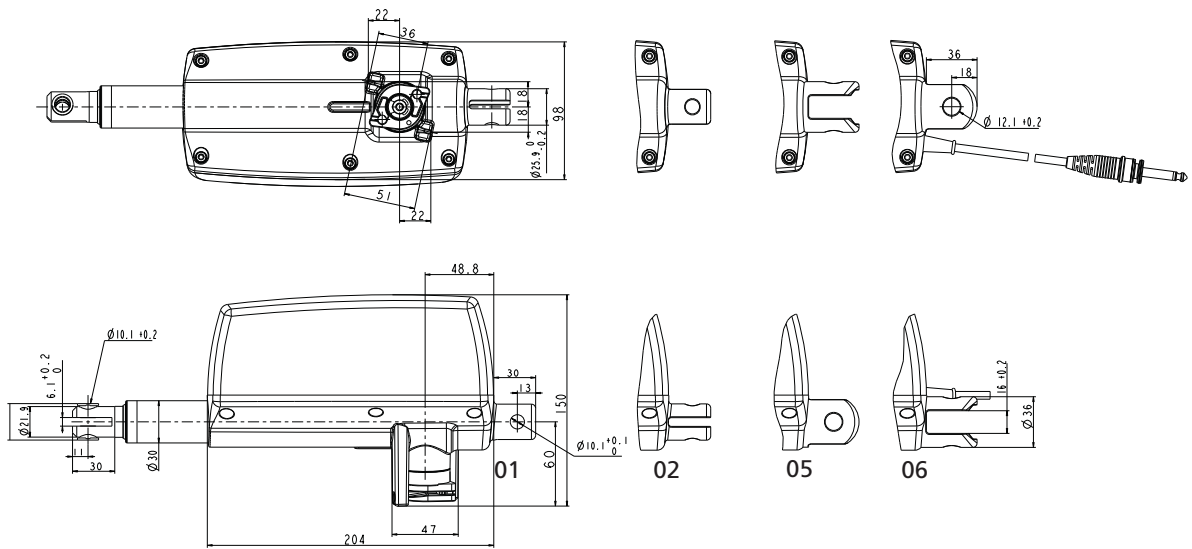


LINAK A/S
LA32001B

- Installation dimensions:**
- S + 173: (with/without safety nut)
 - (Min. install dim. 273 mm) S + 181: (LA323. with/without safety nut)
 - S + 184: with splines
 - S + 198: with splines and safety nut
 - S + 210: LA32K, LA32KAS, LA32 with safety nut
 - S + 215: with brake
 - S + 267: LA32KSM

3D view of the back fixture.
(here type "01" is shown.
Drawing no.: 0321200

LA32 with quick release:



Drawing no.: LA32F001C

- Install. dimensions:**
- S + 173: LA32.F
 - S + 196: LA32FH

Technical specifications:

Type	Spindle pitch (mm)	Thrust max. Push [N]	*Self-lock Max. [N]*	Stroke length [mm]							Typical Speed 0/full load [mm/s]	Typical amp. 24V at full load [A]
				100 ^p	150 ^p	200 ^p	250 ^p	300 ^p	350	400		
321xxx+00xxx4xx	3	4000	4000	100 ^p	150 ^p	200 ^p	250 ^p	300 ^p	350	400	7/5.5	3.5
322xxx+00xxx4xx	6	3000	2000	100 ^p	150 ^p	200 ^p	250 ^p	300 ^p	350	400 ^p	13.8/13 (2000N)	3 (2000N)
322xxx+40xxx4xx	6	3000	3000	100 ^p	150 ^p	200 ^p	250 ^p	300 ^p	350	400	13.6/8.5	4.5
32Kxxx+x0xxx4xx	4	6000	6000	-	150 ^p	200 ^p	250 ^p	300 ^p	350	400	8.7/6.8	4.7
32Kxxx+10xxx4xx	4	6000	6000	-	150 ^p	200 ^p	250 ^p	300 ^p	350	400	8.7/6.8	4.7
32Kxxx+30xxx4xx	4	6000	6000	-	-	-	-	300 ^p	350	400	8.7/6.8	4.7
328xxF+x0xxx4xx	5	2800	2800	100 ^p	150 ^p	200 ^p	250 ^p	300 [#]	-	-	11/9.8	3.5
32Kxxx+30xxx3xx	4	7500	6500	-	-	-	-	300 ^p	350	400	15/6.5 (7500N)	9.5 (7500N)

The above measurements are made in connection with a CB12, the LA32JKSM with a CBJ1 high speed.

P = Stroke lengths where potentiometer is possible as standard

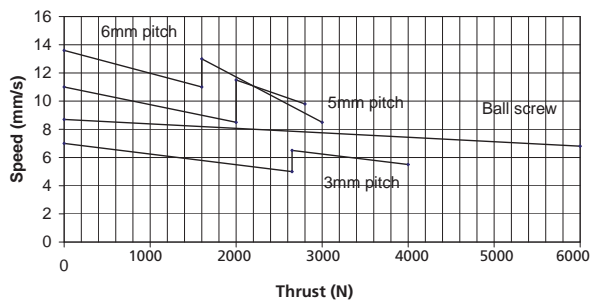
* LINAK control boxes are designed so that they will short-circuit the motor terminals (poles) of the actuator(s) when the actuator(s) are not running. This solution gives the actuator(s) a higher self-locking ability. If the actuator(s) are not connected to a LINAK control box the terminals of the motor must be short-circuited to achieve the above mentioned self-locking ability.

= Not with spindle potentiometer (stroke length max. 220 mm)

- K = Ball screw
- KAS = Ball screw with safety nut
- KSM = Ball screw with splines and safety nut
- R = Reed-switch
- F = Manual quick release
- FH = Manual quick release with dampened movement
- KAS and KSM are only available on LA32K (with ball screw)

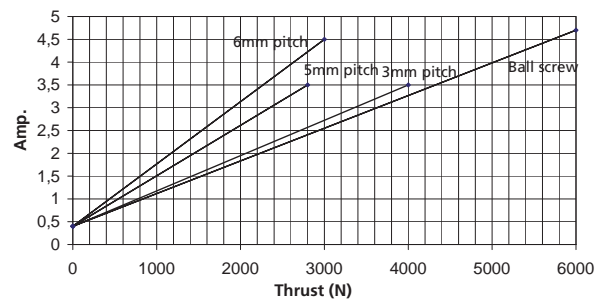
Graphs:

LA32 speed v's load



Measurements are made in connection with a CB12

LA32 current v's load



Terms of use

The user is responsible for determining the suitability of LINAK products for specific application. LINAK takes great care in providing accurate and up-to-date information on its products. However, due to continuous development in order to improve its products, LINAK products are subject to frequent modifications and changes without prior notice. Therefore, LINAK cannot guarantee the correct and actual status of said information on its products. While LINAK uses its best efforts to fulfil orders, LINAK cannot, for the same reasons as mentioned above, guarantee the availability of any particular product. Therefore, LINAK reserves the right to discontinue the sale of any product displayed on its website or listed in its catalogues or other written material drawn up by LINAK. All sales are subject to the Standard Terms of Sale and Delivery for LINAK. For a copy hereof, please contact LINAK.

Free Manuals Download Website

<http://myh66.com>

<http://usermanuals.us>

<http://www.somanuals.com>

<http://www.4manuals.cc>

<http://www.manual-lib.com>

<http://www.404manual.com>

<http://www.luxmanual.com>

<http://aubethermostatmanual.com>

Golf course search by state

<http://golfingnear.com>

Email search by domain

<http://emailbydomain.com>

Auto manuals search

<http://auto.somanuals.com>

TV manuals search

<http://tv.somanuals.com>