

HANDSET HB40

Features:

- Handset for up to 4 actuators
- Only control current, max. 100 mA per channel in the handset
- High-strength plastic housing
- Ergonomic design and easy-touch buttons
- Hook for easy placement
- 2.5 m straight cable
- Protection class: IP51. (HB44H for CARELINE IP54)
- Colour: black

Options:

- Protection class: IP65 or IP66 (Not HB40A)
- 0.5m/0.6m coiled cable or with extra long cable - see ordering example
- Customised front cover
- Anti-slip rubber tip for placement on a flat surface (special article)
- Colour: grey

Usage:

- Ambient temperature: +5° to +40° C
- HB40 is compatible with CB8-T, CB9..AX (not CH.4), CB12 and CB18
- HB40A is compatible with CB8-A battery version. Fitted with plug for battery charger CH08.
- HB40E is compatible with CB9Px (except CB9..PM/IPN) and CB14
- HB44H is only compatible with CB9..Ax (if CH.4) 4 channels
- HB40T is only compatible with CB7 (max. 2 channels)

HOMELINE[®]
IMPROVING COMFORT

MEDLINE[®]
IMPROVING EFFICIENCY

CARELINE[®]
IMPROVING EFFICIENCY

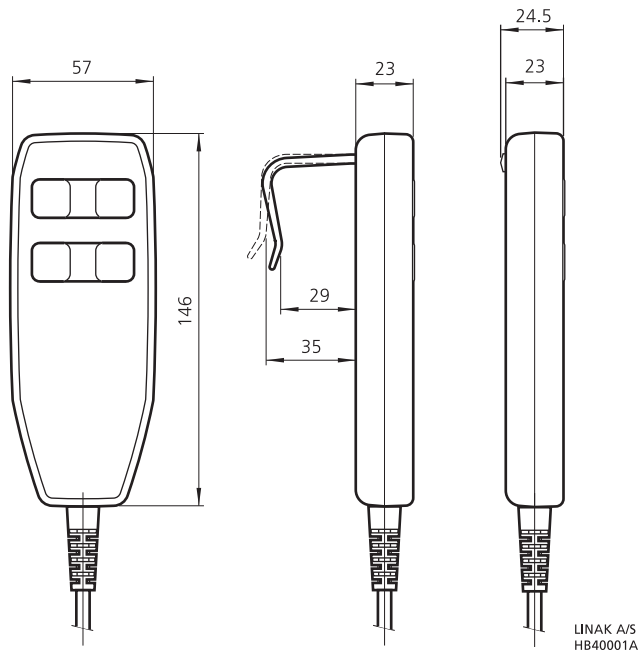
TECHLINE[®]
IMPROVING FLEXIBILITY



The HB40 series handsets are designed for use with LINAK® control boxes.

These sturdy compact units are ergonomically designed and ideal for a vast range of applications from patient care beds and office furniture to industrial and agricultural duties.

Dimensions:



Channels as follows:

↑	↓
2 Up	2 Down
1 Up	1 Down
3 Up	3 Down
4 Up	4 Down

Compatibility:

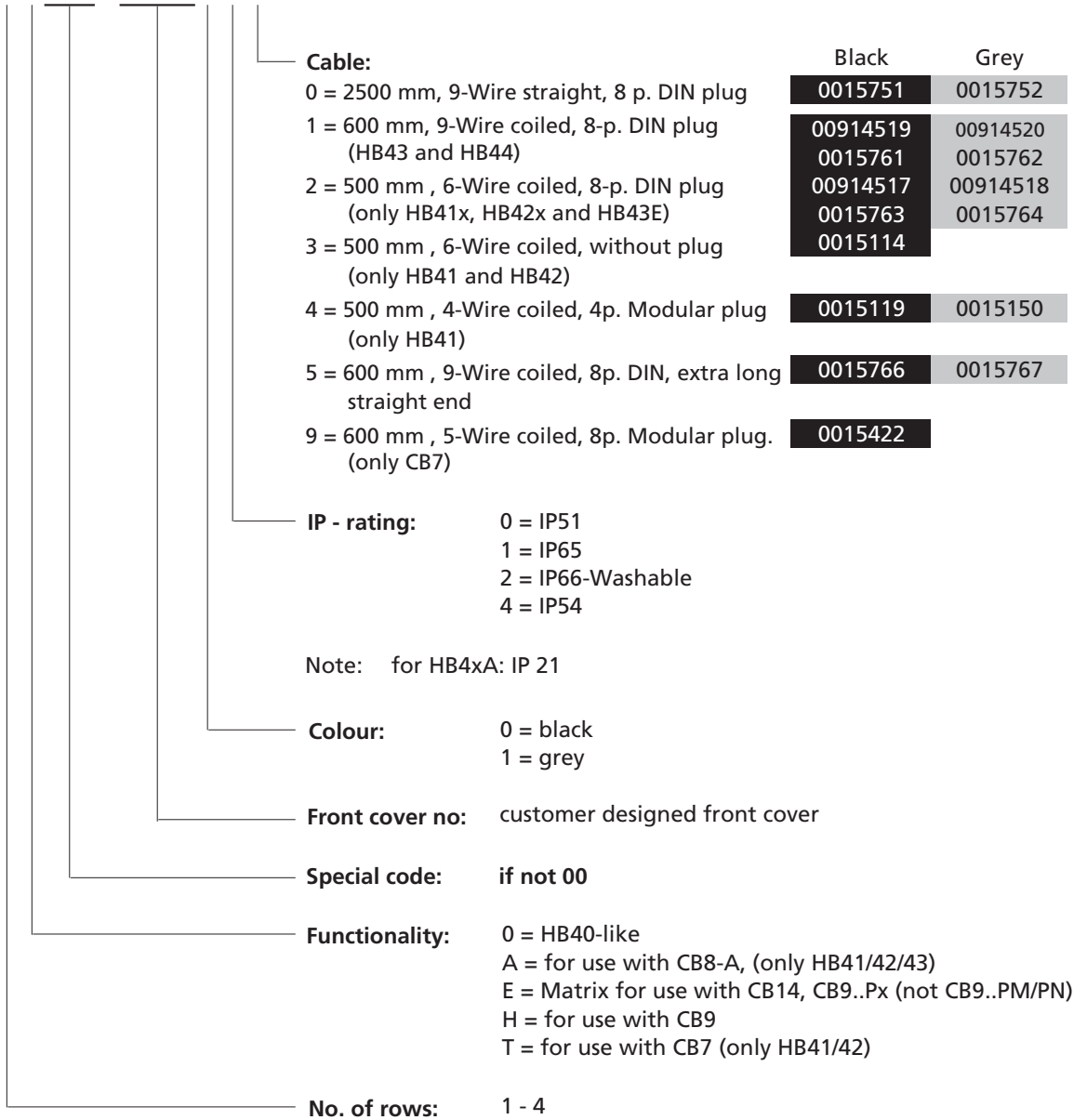
	CB7	CB8	CB8A	CB9..Ax	CB9..Px (not CB9..PM/PN)	CB12	CB14	CB18
HB4xO		x		x*		x		x
HB4xA			x					
HB4xE					x		x	
HB4xH				x (4ch.)				
HB4xT	x							

* only for channels 1, 2 and 3

HB40

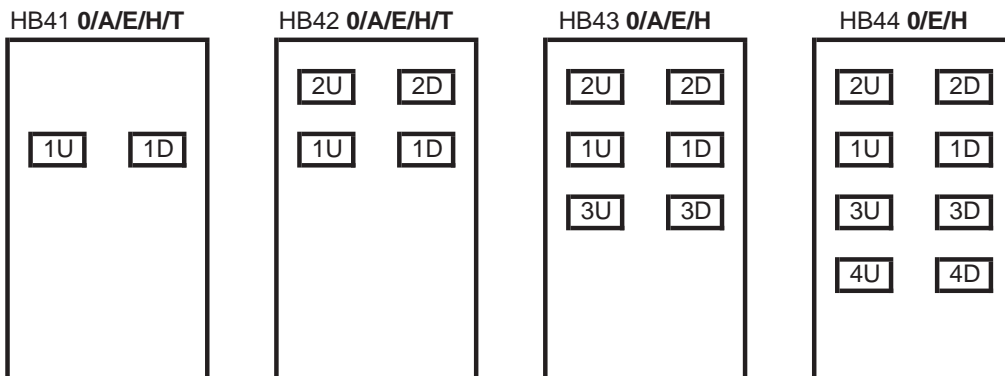
Ordering example:

H B 4 1 0 0 0 - 0 0 0 0 0 0

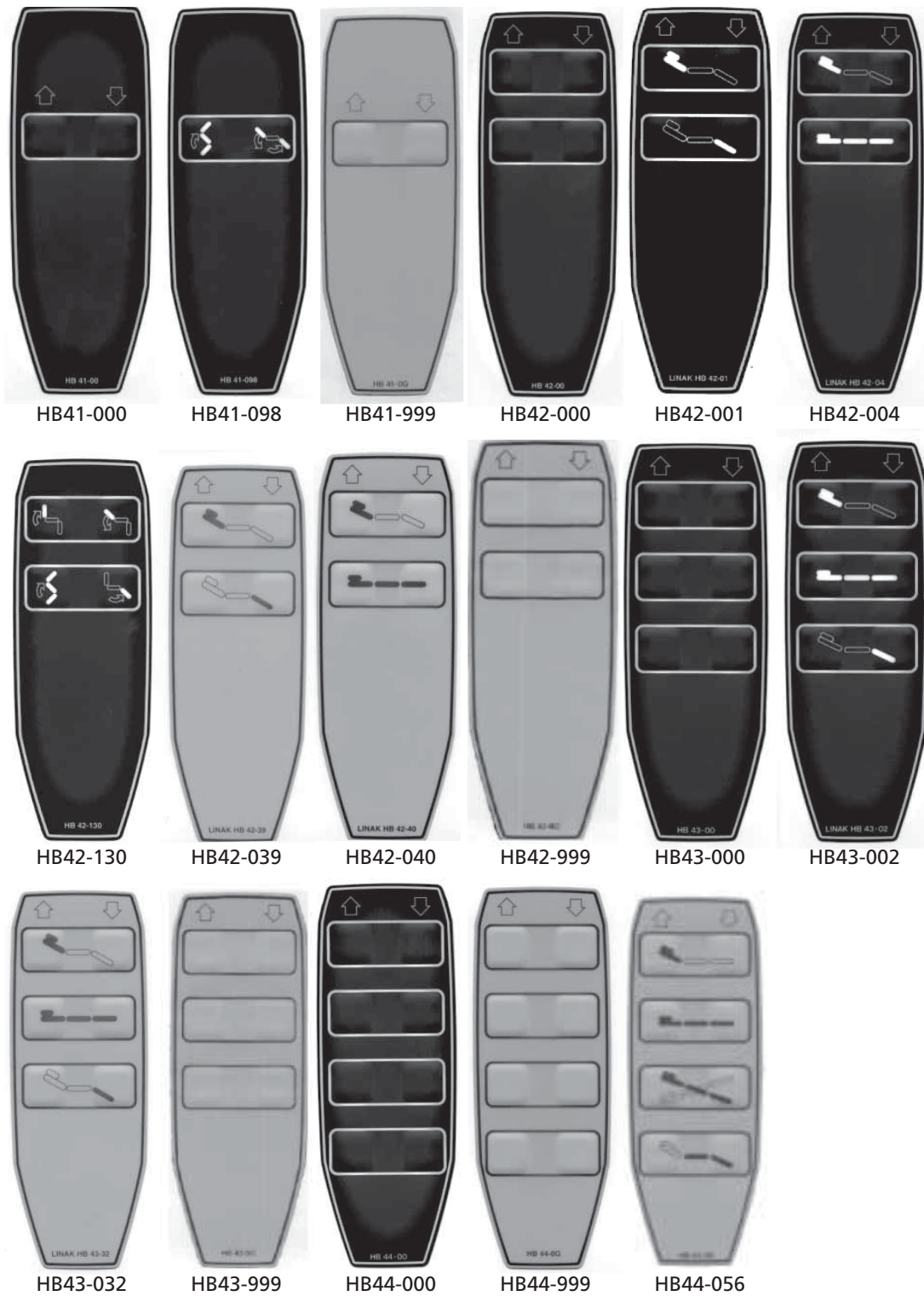


Choice of rubber tip to be specified separately (special article).

Overview for HB4x functionality: 0, A, E, H, T.



HB40 Standard front covers:



When ordering check that the handset functionality corresponds to the symbols on the front cover. The last 2 digits in the front cover code are to be used in the ordering example (xx).

Specifications subject to change without prior notice.
 It is the responsibility of the product user to determine the suitability of LINAK A/S products for a specific application. LINAK will at point of delivery replace/repair defective products covered by the warranty if promptly returned to the factory. No liability is assumed beyond such replacement/repair.

Free Manuals Download Website

<http://myh66.com>

<http://usermanuals.us>

<http://www.somanuals.com>

<http://www.4manuals.cc>

<http://www.manual-lib.com>

<http://www.404manual.com>

<http://www.luxmanual.com>

<http://aubethermostatmanual.com>

Golf course search by state

<http://golfingnear.com>

Email search by domain

<http://emailbydomain.com>

Auto manuals search

<http://auto.somanuals.com>

TV manuals search

<http://tv.somanuals.com>