

# LN™-23P

# IM311-E

November, 2009

## Portable Innershield® Semiautomatic Wire Feeder

For use with machines having Code Numbers 9085; 10242; 10314; 10892; 10917; 10918  
11359; 11360; 11361; 11362  
11669, 11670

### Safety Depends on You

Lincoln arc welding and cutting equipment is designed and built with safety in mind. However, your overall safety can be increased by proper installation ... and thoughtful operation on your part. **DO NOT INSTALL, OPERATE OR REPAIR THIS EQUIPMENT WITHOUT READING THIS MANUAL AND THE SAFETY PRECAUTIONS CONTAINED THROUGHOUT.** And, most importantly, think before you act and be careful.



## OPERATOR'S MANUAL



**LINCOLN®**  
**ELECTRIC**

Copyright © Lincoln Global Inc.

- World's Leader in Welding and Cutting Products •
- Sales and Service through Subsidiaries and Distributors Worldwide •

Cleveland, Ohio 44117-1199 U.S.A. TEL: 216.481.8100 FAX: 216.486.1751 WEB SITE: [www.lincolnelectric.com](http://www.lincolnelectric.com)

Download from [www.Somanuals.com](http://www.Somanuals.com). All Manuals Search And Download.

## ⚠ WARNING

### ⚠ CALIFORNIA PROPOSITION 65 WARNINGS ⚠

Diesel engine exhaust and some of its constituents are known to the State of California to cause cancer, birth defects, and other reproductive harm.

The Above For Diesel Engines

The engine exhaust from this product contains chemicals known to the State of California to cause cancer, birth defects, or other reproductive harm.

The Above For Gasoline Engines

**ARC WELDING CAN BE HAZARDOUS. PROTECT YOURSELF AND OTHERS FROM POSSIBLE SERIOUS INJURY OR DEATH. KEEP CHILDREN AWAY. PACEMAKER WEARERS SHOULD CONSULT WITH THEIR DOCTOR BEFORE OPERATING.**

Read and understand the following safety highlights. For additional safety information, it is strongly recommended that you purchase a copy of "Safety in Welding & Cutting - ANSI Standard Z49.1" from the American Welding Society, P.O. Box 351040, Miami, Florida 33135 or CSA Standard W117.2-1974. A Free copy of "Arc Welding Safety" booklet E205 is available from the Lincoln Electric Company, 22801 St. Clair Avenue, Cleveland, Ohio 44117-1199.

**BE SURE THAT ALL INSTALLATION, OPERATION, MAINTENANCE AND REPAIR PROCEDURES ARE PERFORMED ONLY BY QUALIFIED INDIVIDUALS.**



### FOR ENGINE powered equipment.

1.a. Turn the engine off before troubleshooting and maintenance work unless the maintenance work requires it to be running.



1.b. Operate engines in open, well-ventilated areas or vent the engine exhaust fumes outdoors.



1.c. Do not add the fuel near an open flame welding arc or when the engine is running. Stop the engine and allow it to cool before refueling to prevent spilled fuel from vaporizing on contact with hot engine parts and igniting. Do not spill fuel when filling tank. If fuel is spilled, wipe it up and do not start engine until fumes have been eliminated.

1.d. Keep all equipment safety guards, covers and devices in position and in good repair. Keep hands, hair, clothing and tools away from V-belts, gears, fans and all other moving parts when starting, operating or repairing equipment.

1.e. In some cases it may be necessary to remove safety guards to perform required maintenance. Remove guards only when necessary and replace them when the maintenance requiring their removal is complete. Always use the greatest care when working near moving parts.



1.f. Do not put your hands near the engine fan. Do not attempt to override the governor or idler by pushing on the throttle control rods while the engine is running.

1.g. To prevent accidentally starting gasoline engines while turning the engine or welding generator during maintenance work, disconnect the spark plug wires, distributor cap or magneto wire as appropriate.



1.h. To avoid scalding, do not remove the radiator pressure cap when the engine is hot.



### ELECTRIC AND MAGNETIC FIELDS may be dangerous

2.a. Electric current flowing through any conductor causes localized Electric and Magnetic Fields (EMF). Welding current creates EMF fields around welding cables and welding machines

2.b. EMF fields may interfere with some pacemakers, and welders having a pacemaker should consult their physician before welding.

2.c. Exposure to EMF fields in welding may have other health effects which are now not known.

2.d. All welders should use the following procedures in order to minimize exposure to EMF fields from the welding circuit:

2.d.1. Route the electrode and work cables together - Secure them with tape when possible.

2.d.2. Never coil the electrode lead around your body.

2.d.3. Do not place your body between the electrode and work cables. If the electrode cable is on your right side, the work cable should also be on your right side.

2.d.4. Connect the work cable to the workpiece as close as possible to the area being welded.

2.d.5. Do not work next to welding power source.

Mar '95



## ELECTRIC SHOCK can kill.

- 3.a. The electrode and work (or ground) circuits are electrically "hot" when the welder is on. Do not touch these "hot" parts with your bare skin or wet clothing. Wear dry, hole-free gloves to insulate hands.
- 3.b. Insulate yourself from work and ground using dry insulation. Make certain the insulation is large enough to cover your full area of physical contact with work and ground.
- In addition to the normal safety precautions, if welding must be performed under electrically hazardous conditions (in damp locations or while wearing wet clothing; on metal structures such as floors, gratings or scaffolds; when in cramped positions such as sitting, kneeling or lying, if there is a high risk of unavoidable or accidental contact with the workpiece or ground) use the following equipment:**
- Semiautomatic DC Constant Voltage (Wire) Welder.
  - DC Manual (Stick) Welder.
  - AC Welder with Reduced Voltage Control.
- 3.c. In semiautomatic or automatic wire welding, the electrode, electrode reel, welding head, nozzle or semiautomatic welding gun are also electrically "hot".
- 3.d. Always be sure the work cable makes a good electrical connection with the metal being welded. The connection should be as close as possible to the area being welded.
- 3.e. Ground the work or metal to be welded to a good electrical (earth) ground.
- 3.f. Maintain the electrode holder, work clamp, welding cable and welding machine in good, safe operating condition. Replace damaged insulation.
- 3.g. Never dip the electrode in water for cooling.
- 3.h. Never simultaneously touch electrically "hot" parts of electrode holders connected to two welders because voltage between the two can be the total of the open circuit voltage of both welders.
- 3.i. When working above floor level, use a safety belt to protect yourself from a fall should you get a shock.
- 3.j. Also see Items 6.c. and 8.



## ARC RAYS can burn.

- 4.a. Use a shield with the proper filter and cover plates to protect your eyes from sparks and the rays of the arc when welding or observing open arc welding. Headshield and filter lens should conform to ANSI Z87.1 standards.
- 4.b. Use suitable clothing made from durable flame-resistant material to protect your skin and that of your helpers from the arc rays.
- 4.c. Protect other nearby personnel with suitable, non-flammable screening and/or warn them not to watch the arc nor expose themselves to the arc rays or to hot spatter or metal.



## FUMES AND GASES can be dangerous.

- 5.a. Welding may produce fumes and gases hazardous to health. Avoid breathing these fumes and gases. When welding, keep your head out of the fume. Use enough ventilation and/or exhaust at the arc to keep fumes and gases away from the breathing zone. **When welding with electrodes which require special ventilation such as stainless or hard facing (see instructions on container or MSDS) or on lead or cadmium plated steel and other metals or coatings which produce highly toxic fumes, keep exposure as low as possible and within applicable OSHA PEL and ACGIH TLV limits using local exhaust or mechanical ventilation. In confined spaces or in some circumstances, outdoors, a respirator may be required. Additional precautions are also required when welding on galvanized steel.**
5. b. The operation of welding fume control equipment is affected by various factors including proper use and positioning of the equipment, maintenance of the equipment and the specific welding procedure and application involved. Worker exposure level should be checked upon installation and periodically thereafter to be certain it is within applicable OSHA PEL and ACGIH TLV limits.
- 5.c. Do not weld in locations near chlorinated hydrocarbon vapors coming from degreasing, cleaning or spraying operations. The heat and rays of the arc can react with solvent vapors to form phosgene, a highly toxic gas, and other irritating products.
- 5.d. Shielding gases used for arc welding can displace air and cause injury or death. Always use enough ventilation, especially in confined areas, to insure breathing air is safe.
- 5.e. Read and understand the manufacturer's instructions for this equipment and the consumables to be used, including the material safety data sheet (MSDS) and follow your employer's safety practices. MSDS forms are available from your welding distributor or from the manufacturer.
- 5.f. Also see item 1.b.



## WELDING and CUTTING SPARKS can cause fire or explosion.

6.a. Remove fire hazards from the welding area. If this is not possible, cover them to prevent the welding sparks from starting a fire.

Remember that welding sparks and hot materials from welding can easily go through small cracks and openings to adjacent areas. Avoid welding near hydraulic lines. Have a fire extinguisher readily available.

- 6.b. Where compressed gases are to be used at the job site, special precautions should be used to prevent hazardous situations. Refer to "Safety in Welding and Cutting" (ANSI Standard Z49.1) and the operating information for the equipment being used.
- 6.c. When not welding, make certain no part of the electrode circuit is touching the work or ground. Accidental contact can cause overheating and create a fire hazard.
- 6.d. Do not heat, cut or weld tanks, drums or containers until the proper steps have been taken to insure that such procedures will not cause flammable or toxic vapors from substances inside. They can cause an explosion even though they have been "cleaned". For information, purchase "Recommended Safe Practices for the Preparation for Welding and Cutting of Containers and Piping That Have Held Hazardous Substances", AWS F4.1 from the American Welding Society (see address above).
- 6.e. Vent hollow castings or containers before heating, cutting or welding. They may explode.
- 6.f. Sparks and spatter are thrown from the welding arc. Wear oil free protective garments such as leather gloves, heavy shirt, cuffless trousers, high shoes and a cap over your hair. Wear ear plugs when welding out of position or in confined places. Always wear safety glasses with side shields when in a welding area.
- 6.g. Connect the work cable to the work as close to the welding area as practical. Work cables connected to the building framework or other locations away from the welding area increase the possibility of the welding current passing through lifting chains, crane cables or other alternate circuits. This can create fire hazards or overheat lifting chains or cables until they fail.
- 6.h. Also see item 1.c.
- 6.i. Read and follow NFPA 51B "Standard for Fire Prevention During Welding, Cutting and Other Hot Work", available from NFPA, 1 Batterymarch Park, PO box 9101, Quincy, Ma 02269-9101.
- 6.j. Do not use a welding power source for pipe thawing.



## CYLINDER may explode if damaged.

7.a. Use only compressed gas cylinders containing the correct shielding gas for the process used and properly operating regulators designed for the gas and pressure used. All hoses, fittings, etc. should be suitable for the application and maintained in good condition.

- 7.b. Always keep cylinders in an upright position securely chained to an undercarriage or fixed support.
- 7.c. Cylinders should be located:
  - Away from areas where they may be struck or subjected to physical damage.
  - A safe distance from arc welding or cutting operations and any other source of heat, sparks, or flame.
- 7.d. Never allow the electrode, electrode holder or any other electrically "hot" parts to touch a cylinder.
- 7.e. Keep your head and face away from the cylinder valve outlet when opening the cylinder valve.
- 7.f. Valve protection caps should always be in place and hand tight except when the cylinder is in use or connected for use.
- 7.g. Read and follow the instructions on compressed gas cylinders, associated equipment, and CGA publication P-1, "Precautions for Safe Handling of Compressed Gases in Cylinders," available from the Compressed Gas Association 1235 Jefferson Davis Highway, Arlington, VA 22202.



## FOR ELECTRICALLY powered equipment.

- 8.a. Turn off input power using the disconnect switch at the fuse box before working on the equipment.
- 8.b. Install equipment in accordance with the U.S. National Electrical Code, all local codes and the manufacturer's recommendations.
- 8.c. Ground the equipment in accordance with the U.S. National Electrical Code and the manufacturer's recommendations.

Refer to <http://www.lincolnelectric.com/safety> for additional safety information.

## PRÉCAUTIONS DE SÛRETÉ

Pour votre propre protection lire et observer toutes les instructions et les précautions de sûreté spécifiques qui paraissent dans ce manuel aussi bien que les précautions de sûreté générales suivantes:

### Sûreté Pour Soudage A L'Arc

1. Protégez-vous contre la secousse électrique:
  - a. Les circuits à l'électrode et à la pièce sont sous tension quand la machine à souder est en marche. Eviter toujours tout contact entre les parties sous tension et la peau nue ou les vêtements mouillés. Porter des gants secs et sans trous pour isoler les mains.
  - b. Faire très attention de bien s'isoler de la masse quand on soude dans des endroits humides, ou sur un plancher métallique ou des grilles métalliques, principalement dans les positions assis ou couché pour lesquelles une grande partie du corps peut être en contact avec la masse.
  - c. Maintenir le porte-électrode, la pince de masse, le câble de soudage et la machine à souder en bon et sûr état de fonctionnement.
  - d. Ne jamais plonger le porte-électrode dans l'eau pour le refroidir.
  - e. Ne jamais toucher simultanément les parties sous tension des porte-électrodes connectés à deux machines à souder parce que la tension entre les deux pinces peut être le total de la tension à vide des deux machines.
  - f. Si on utilise la machine à souder comme une source de courant pour soudage semi-automatique, ces précautions pour le porte-électrode s'appliquent aussi au pistolet de soudage.
2. Dans le cas de travail au dessus du niveau du sol, se protéger contre les chutes dans le cas où on reçoit un choc. Ne jamais enrouler le câble-électrode autour de n'importe quelle partie du corps.
3. Un coup d'arc peut être plus sévère qu'un coup de soleil, donc:
  - a. Utiliser un bon masque avec un verre filtrant approprié ainsi qu'un verre blanc afin de se protéger les yeux du rayonnement de l'arc et des projections quand on soude ou quand on regarde l'arc.
  - b. Porter des vêtements convenables afin de protéger la peau de soudeur et des aides contre le rayonnement de l'arc.
  - c. Protéger l'autre personnel travaillant à proximité au soudage à l'aide d'écrans appropriés et non-inflammables.
4. Des gouttes de laitier en fusion sont émises de l'arc de soudage. Se protéger avec des vêtements de protection libres de l'huile, tels que les gants en cuir, chemise épaisse, pantalons sans revers, et chaussures montantes.
5. Toujours porter des lunettes de sécurité dans la zone de soudage. Utiliser des lunettes avec écrans latéraux dans les zones où l'on pique le laitier.

6. Eloigner les matériaux inflammables ou les recouvrir afin de prévenir tout risque d'incendie dû aux étincelles.
7. Quand on ne soude pas, poser la pince à un endroit isolé de la masse. Un court-circuit accidentel peut provoquer un échauffement et un risque d'incendie.
8. S'assurer que la masse est connectée le plus près possible de la zone de travail qu'il est pratique de le faire. Si on place la masse sur la charpente de la construction ou d'autres endroits éloignés de la zone de travail, on augmente le risque de voir passer le courant de soudage par les chaînes de levage, câbles de grue, ou autres circuits. Cela peut provoquer des risques d'incendie ou d'échauffement des chaînes et des câbles jusqu'à ce qu'ils se rompent.
9. Assurer une ventilation suffisante dans la zone de soudage. Ceci est particulièrement important pour le soudage de tôles galvanisées plombées, ou cadmiées ou tout autre métal qui produit des fumées toxiques.
10. Ne pas souder en présence de vapeurs de chlore provenant d'opérations de dégraissage, nettoyage ou pistologie. La chaleur ou les rayons de l'arc peuvent réagir avec les vapeurs du solvant pour produire du phosgène (gas fortement toxique) ou autres produits irritants.
11. Pour obtenir de plus amples renseignements sur la sûreté, voir le code "Code for safety in welding and cutting" CSA Standard W 117.2-1974.

## PRÉCAUTIONS DE SÛRETÉ POUR LES MACHINES À SOUDER À TRANSFORMATEUR ET À REDRESSEUR

1. Relier à la terre le châssis du poste conformément au code de l'électricité et aux recommandations du fabricant. Le dispositif de montage ou la pièce à souder doit être branché à une bonne mise à la terre.
2. Autant que possible, l'installation et l'entretien du poste seront effectués par un électricien qualifié.
3. Avant de faire des travaux à l'intérieur de poste, la débrancher à l'interrupteur à la boîte de fusibles.
4. Garder tous les couvercles et dispositifs de sûreté à leur place.

Mar. '93

# Thank You

for selecting a **QUALITY** product by Lincoln Electric. We want you to take pride in operating this Lincoln Electric Company product  
••• as much pride as we have in bringing this product to you!

### CUSTOMER ASSISTANCE POLICY

The business of The Lincoln Electric Company is manufacturing and selling high quality welding equipment, consumables, and cutting equipment. Our challenge is to meet the needs of our customers and to exceed their expectations. On occasion, purchasers may ask Lincoln Electric for advice or information about their use of our products. We respond to our customers based on the best information in our possession at that time. Lincoln Electric is not in a position to warrant or guarantee such advice, and assumes no liability, with respect to such information or advice. We expressly disclaim any warranty of any kind, including any warranty of fitness for any customer's particular purpose, with respect to such information or advice. As a matter of practical consideration, we also cannot assume any responsibility for updating or correcting any such information or advice once it has been given, nor does the provision of information or advice create, expand or alter any warranty with respect to the sale of our products.

Lincoln Electric is a responsive manufacturer, but the selection and use of specific products sold by Lincoln Electric is solely within the control of, and remains the sole responsibility of the customer. Many variables beyond the control of Lincoln Electric affect the results obtained in applying these types of fabrication methods and service requirements.

Subject to Change – This information is accurate to the best of our knowledge at the time of printing. Please refer to [www.lincolnelectric.com](http://www.lincolnelectric.com) for any updated information.

### **Please Examine Carton and Equipment For Damage Immediately**

When this equipment is shipped, title passes to the purchaser upon receipt by the carrier. Consequently, Claims for material damaged in shipment must be made by the purchaser against the transportation company at the time the shipment is received.

Please record your equipment identification information below for future reference. This information can be found on your machine nameplate.

Product \_\_\_\_\_

Model Number \_\_\_\_\_

Code Number or Date Code \_\_\_\_\_

Serial Number \_\_\_\_\_

Date Purchased \_\_\_\_\_

Where Purchased \_\_\_\_\_

Whenever you request replacement parts or information on this equipment, always supply the information you have recorded above. The code number is especially important when identifying the correct replacement parts.

### **On-Line Product Registration**

- Register your machine with Lincoln Electric either via fax or over the Internet.
  - For faxing: Complete the form on the back of the warranty statement included in the literature packet accompanying this machine and fax the form per the instructions printed on it.
  - For On-Line Registration: Go to our **WEB SITE at [www.lincolnelectric.com](http://www.lincolnelectric.com)**. Choose "Quick Links" and then "Product Registration". Please complete the form and submit your registration.

**Read this Operators Manual completely** before attempting to use this equipment. Save this manual and keep it handy for quick reference. Pay particular attention to the safety instructions we have provided for your protection. The level of seriousness to be applied to each is explained below:

### **⚠ WARNING**

This statement appears where the information **must** be followed **exactly** to avoid **serious personal injury or loss of life**.

### **⚠ CAUTION**

This statement appears where the information **must** be followed to avoid **minor personal injury or damage to this equipment**.

---

<b>Installation.....</b>	<b>Section A</b>
Technical Specifications.....	A-1
Installation Instructions.....	A-2
Safety Precautions.....	A-2
Input Cable.....	A-2
Working Cable and Remote Voltage Sensing Work Lead.....	A-2
Wire Drive Rolls and Guide Tubes.....	A-3
Optional Features Installation.....	A-3
Innershield Gun and Cable.....	A-3
K-350 Adapter Kit.....	A-3
K-276 Enclosed 50 Lb. Wire Reel Support.....	A-3

---

<b>Operation.....</b>	<b>Section B</b>
Safety Precautions.....	B-1
Product Description.....	B-1
Loading the Wire Reel.....	B-1
Instructions For Loading Wire into LN-23.....	B-2
Drive Roll Pressure.....	B-3
Adjusting Wire Feed Speed and Voltage.....	B-3
Marking the Weld.....	B-3

---

<b>Accessories.....</b>	<b>Section C</b>
Optional Equipment.....	C-1
Gun and Cable Assemblies.....	C-1
K-350 Adapter Kit.....	C-1
K-276 Enclosed Wire Reel Support.....	C-1

---

<b>Maintenance.....</b>	<b>Section D</b>
Safety Precautions.....	D-1
Replacing or Reversing Drive Rolls.....	D-1
Removing Idle Roll Assembly.....	D-1
Gun and Cable.....	D-1
Wire Drive Assembly Maintenance.....	D-1
Circuit Protection.....	D-2
Nameplates.....	D-2
Power Source.....	D-2

---

<b>Troubleshooting.....</b>	<b>Section E</b>
Safety Precautions.....	E-1
How to Use Troubleshooting Guide.....	E-1
Troubleshooting.....	E-2 to E-3

---

<b>Connection and Wiring Diagrams.....</b>	<b>Section F</b>
--	------------------

<b>Parts List.....</b>	<b>P-142, P-103, P-107</b>
------------------------	----------------------------

---

## TECHNICAL SPECIFICATIONS – LN™-23P

OPERATING ARC VOLTAGE			
Constant Voltage (CV)		14-50VDC (90VDC Maximum OCV)	
RATED CURRENT			
250-350 Amps 60% Duty Cycle (Depending on Gun Used)			
WIRE SPEED RANGE			
30-170 Inches Per Minute (IPM) (1.18-6.70 mm)			
RECOMMENDED ELECTRODE WIRE SIZES			
.068" .072" 5/64"		INNERSHIELD INNERSHIELD INNERSHIELD	
PHYSICAL DIMENSIONS			
<u>HEIGHT</u>	<u>WIDTH</u>	<u>DEPTH</u>	<u>WEIGHT</u>
20.5 Inches (520.7 mm)	9.0 Inches (228.6 mm)	19.0 Inches (482.6mm)	27 lbs (12.3 kg)
TEMPERATURE RANGE			
OPERATION:	- 30° C* to +40° C (- 22° F to +104° F)		
STORAGE:	- 40° C to +40° C (- 40° F to +104° F)		
ENVIRONMENTAL RATING			
*At temperatures below 0°C, the gun cable may require a warm up operating time to improve flexibility.			

LN™-23P





## SAFETY PRECAUTIONS

### ⚠ WARNING



**ELECTRIC SHOCK can kill.**

• **Only qualified personnel should perform this installation, maintenance and troubleshooting work.**

• **Turn off the input power at the fuse box before working on other equipment connected to the welding system at the disconnect switch or fuse box before working on this equipment.**

• **Do not touch electrically hot parts.**

### INPUT CABLE:

For K316L-1 (6 pin connector)

The standard 25 foot input cable between the LN™-23P and the power source (with a K350 Adapter Kit) consists of a six-conductor control cable and a 1/0 electrode cable. The control cable has lugged leads on the power source end and a polarized plug on the wire feeder end.

**With the power source turned off,** install the input cable per the following instructions:

- Connect the end of the control cable with the lugged leads to the K350 or K350-1 Adapter Kit. Connect the electrode cable to the negative output stud on the power source.

**NOTE:** If two LN™-23P's are connected to an Adapter Kit, connect the feeder that will be used at the lowest voltage setting to Feeder "A" terminal strip in the K350. If only one LN™-23P is used, connect it to Feeder "A" terminal strip.

- Connect the input control cable polarized plug into the mating 6 pin receptacle on the rear of the control section of the LN™-23P. Tighten the threaded locking collar until the connector is completely seated.
- Unclip the rubber retaining strap that holds the wire enclosure cover in place and remove the cover. Push the wire drive section door latch towards the rear of the LN™-23P and open the door. Route the electrode cable through the large rubber grommet in the rear of the wire feed section and connect the lug to the brass conductor block at the front of motor-gearbox assembly using the bolt provided. Attach the control cable strain relief hook to the bracket on the frame of the LN™-23P

For K316L-2 or higher (8 pin connector)

**With the power source turned off,** install the input cable per the following instructions:

- The K316L-2 LN™-23P can be connected directly to any Lincoln power source that have CV output and Twist-Mate weld terminals (V350, V350-PIPE, CV-305, etc.), using the control cable provided with the machine.
- Connect the 14-pin connector and Twist-Mate plug of the input cable assembly to the front of the welder.
- Unclip the rubber retaining strap that holds the wire enclosure cover in place, and remove the cover. Push the wire drive section door latch towards the rear of the LN™-23P and open the door. Route the electrode cable through the large rubber grommet in the rear of the wire feed section and connect the lug to the brass conductor block at the front of the motor gear box assembly using the bolt provided. Attach the control cable strain relief hook to the bracket on the frame of the LN™-23P.
- Connect the 8-pin receptacle to the LN™-23P located on the back underside of the control box.

### WORK CABLE AND REMOTE VOLTAGE SENSING WORK LEAD

- Connect a work cable of sufficient size and length, per the following table, between the proper output stud on the power source and the work. Be sure the connection to the work makes tight metal to metal contact.

Electrode Cable Length	Work Cable Length	Copper Electrode Cable Size	Copper Work Cable Size
0-25 ft.	0-75 ft.	1/0	1/0
0-25	76-125	1/0	2/0
26-75	26-75	2/0	2/0
26-75	76-125	2/0	4/0
76-100	76-125	3/0	4/0

Above cable sizes are based on a maximum voltage drop of 4.3 volts in the combined lengths of electrode and work cable at 350 amps.

- Connect a 12 AWG or larger rubber covered flexible lead physically suitable for the installation to the voltage sensing work lead (#21) coming from the Adapter Kit. For convenience, wrap this voltage sensing lead around the work lead and tape in place. Connect it directly to the work or to the work cable connection. This lead supplies voltage to the voltmeter as well as power to the LN™-23P control circuitry and drive motor.

## WIRE DRIVE ROLLS AND GUIDE TUBES

The LN™-23P is shipped with the proper drive rolls and guide tubes factory installed. Do not adjust the idle roll tension adjusting screw. If the idle roll tension must be relieved temporarily, see "A" and "B" of Maintenance Section.

## OPTIONAL FEATURES INSTALLATION

### INNERSHIELD GUN AND CABLE

- Unclip the rubber retaining strap that holds the wire enclosure cover in place and remove the cover.
- Push the wire drive section door latch towards the rear of LN™-23P and open door.
- Loosen the gun locking set screw in the conductor block on the front of the gear box with a 3/16 hex Allen wrench.
- Lay the cable out straight. Insert the connector on the conductor cable thru the large grommet in the front of the wire drive section and into the brass block on the front of the gear box. Make sure it is all the way in and tighten the locking set screw with a 3/16 hex Allen wrench. Keep this connection clean and bright.
- Connect the 3 pin gun trigger connector to the lower receptacle.
- If the gun cable being used has a reduced speed switch, connect the 4 pin reduced speed switch connector to the upper receptacle. If the reduced speed switch is not used, install the protective cap on the upper receptacle.

**K-350 ADAPTER KIT**– Turn off power source and all power to the power source.

- SAM-400 Engine Welders: Attach the shock mounted mounting plate to the front of the SAM electrical component panel to left of the relay case with 4 of the #10 self-tapping screws provided. Older models require the drilling of 4 5/32 dia. holes into the panel. Connect the adapter control cable to the SAM terminal strips per the proper connection diagram.
- DC-600 (below code 10500): Attach the triangular mounting plate to the shock mounted plate of the Adapter with three of the #10 self-tapping screws provided. Attach the triangular plate to the side of the DC-600 adjacent to the control terminal strips using two roof screws and one front panel screw. Connect the Adapter control cable to the DC-600 terminal strips power the proper connection diagram.

- Other Power Sources: Mount the Adapter Kit to the side of the power source or some convenient location so its control cable can be connected to the power source terminal strip. Use the shock mounted mounting plate as a template to locate the four 5/32" diameter holes that must be drilled in the case side. (Use caution not to drill into or get chips into any internal components.) Mount the Adapter Kit with four of the #10 self-tapping screws provided. Connect the Adapter control cable to power source terminal strips per the proper connection diagram.

**K350-1 ADAPTER KIT** - Turn off power source and all power to the power source.

Used to connect an LN™-23P (K316L-1) to a Lincoln power source that has a 14 pin control connector.

- Mount the Adapter Kit to the side of the power source or some convenient location so its control cable can be connected to the power source terminal strip. See the mounting instructions form the K350
- Connect the Adapter control cable to 14 pin connector on the power source per the proper connection diagram.
- Connect a 12 AWG or larger rubber covered flexible lead physically suitable for the installation to the voltage sensing work lead (#21) coming from the LN23P control cable connector. For convenience, wrap this voltage sensing lead around the work lead and tape in place. Connect it directly to the work or to the work cable connection

### CAUTION

**K-276 ENCLOSED 501b. WIRE REEL SUPPORT Installation and loading instructions (M-13153) are supplied with the kit.**

## SAFETY PRECAUTIONS

### ⚠ WARNING



**ELECTRIC SHOCK can kill.**

- Do not touch electrically live parts such as output terminals or internal wiring.

- When inching with gun trigger, electrode and drive mechanism are “hot” to work and ground and could remain energized several seconds after the gun trigger is released.
- Turn OFF input power at welding power source before installation or changing drive roll and/or guide tubes.
- Welding power source must be connected to system ground per the National Electrical Code or any applicable local codes.
- Only qualified personnel should perform this installation.

## PRODUCT DESCRIPTION

The K316L-[ ] / LN™-23P is a lightweight, portable wire feed unit which includes calibrated wire speed control, voltage control, wire drive with enclosed 14 lb. wire reel, analog voltmeter and various input control and electrode cable lengths.

The LN™-23P was designed specifically for Innershield pipe welding, but, with the proper electrode, can be utilized for general purpose welding.

The feeder is designed for welding with 14 pound coils of .068 and 5/64 Innershield self-shielding electrodes using a constant voltage (CV) type DC power Source. When shipped, it is internally connected for welding with electrode negative polarity (DC-). Depending upon which gun and cable is used, its rating is either 350 amps or 250 amps at 60% duty cycle.

The wire speed control has a calibrated dial plate with a range of 30 to 170 inches per minute which allows quick and easy setting of the required wire feed speed. The wire speed is not affected by changes in the arc voltage setting even though the wire feed circuit is powered by arc voltage. A two-position switch, mounted on the gun provides a reduced speed circuit. This allows selection of either the preset wire speed or 83% of the preset speed.

A low voltage gun trigger circuit turns both the power source output and wire feed on and off. The gun trigger circuit is interlocked by a weld current sensing reed switch so that while welding, the gun trigger switch does not have to be held closed. The welding process is stopped by pulling the gun away from the work. The electrode remains cold until the gun trigger is operated again.

The LN™-23P voltage control is used to adjust the power source output. Also included is an analog voltmeter which allows easy setting of the arc voltage at the LN™-23P once the arc is established.

## LOADING THE WIRE REEL

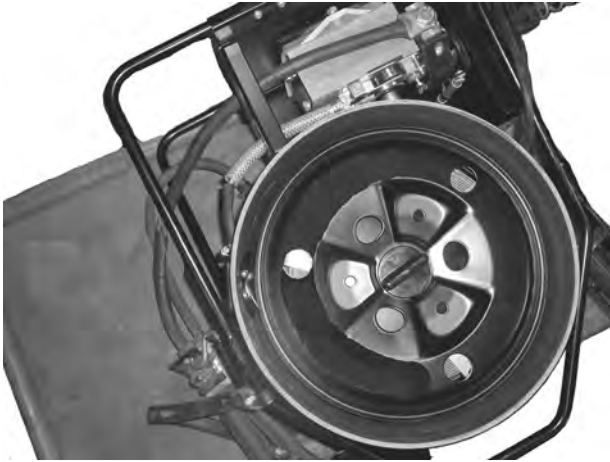
(For machines that have code numbers Lower than 11383.)

- Lay the LN™-23P flat with the wire reel cover up, unclip the rubber retaining strap, and remove the cover.
- Remove the center clamping nut and the cover plate from the wire reel.
- Unpack the 14-pound coil of wire. Be sure not to bend the side tangs of the coil liner and straighten any tangs that may have been bent.
- Place the coil on the wire reel so the coil will unwind when it rotates in a clockwise direction.
- Remove the start end of the coil from its holding slot in the coil liner, cut off the bent end, straighten the first few inches and thread it through the wire feed conduit connected to the wire enclosure until several inches of electrode are exposed. Be careful not to release the electrode until it is through the wire feed conduit; otherwise, it will unwind and tangle.
- Be sure all the lower tangs of the coil liner are flush against the back half of the wire reel and that none of the upper tangs are bent in against the coil.
- Replace the reel cover plate and the center clamping nut.
- Replace the cover of the wire reel enclosure and clip the retaining strap in place.
- Pull about 2 feet of the exposed end of the electrode through the wire feed conduit. Slide the insulator all the way up on the wire feed conduit. Make a single, free loop in the electrode and feed the end into the section of wire feed conduit connected to the gearbox. Press the gun trigger and push the electrode into the drive rolls. Release the electrode as soon as it is picked up by the drive rolls. Continue feeding electrode until the excess length is fed through the drive rolls. Watch the single loop and guide it if necessary to make certain it untwists without kinking. Do not feed electrode through the gun cable at this time. Slide the insulator down on wire feed conduit until it slips over section of conduit connected to gearbox.
- Set the unit upright on floor, straighten the gun cable, press the gun trigger, and feed electrode through the gun and cable assembly.

## INSTRUCTIONS FOR LOADING WIRE INTO LN™-23P

(For machines that have code numbers Higher than 11384.)

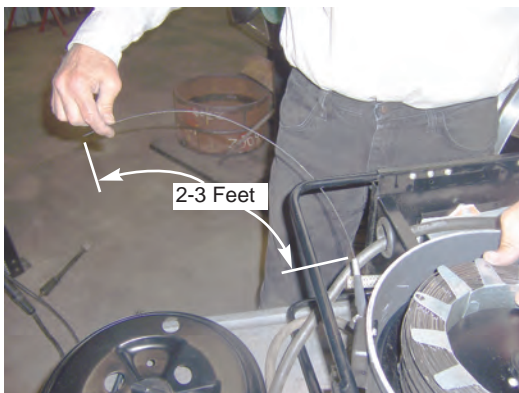
1. With the power shut off and input leads going to the wire feeder disconnected, lay LN™-23P down with wire reel facing up.



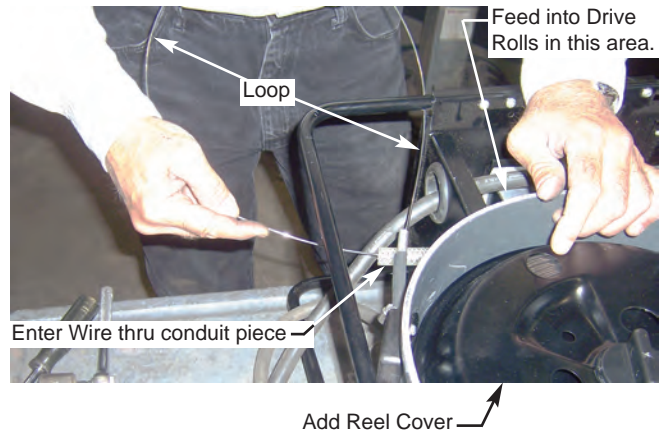
2. Remove compartment cover along with plastic wire reel brake and reel cover. Pull wire end from spool and route it through the liner opening that is mounted inside the wire reel case.



3. Pull 2-3 ft. of wire through upper conduit cable piece as shown in picture below.



4. Add Reel Cover. Form a loop with the wire and route it through the lower conduit piece and past the drive rolls as shown below .



### ⚠ WARNING

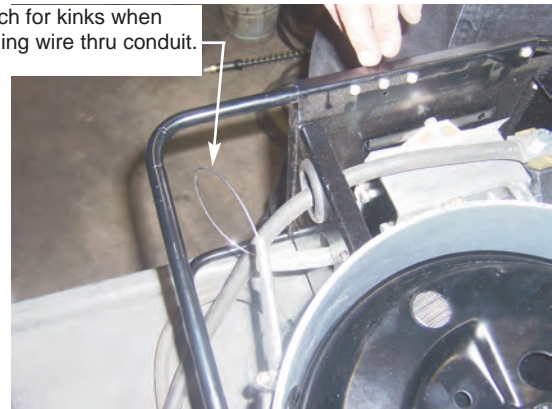


**ELECTRIC SHOCK can kill.**

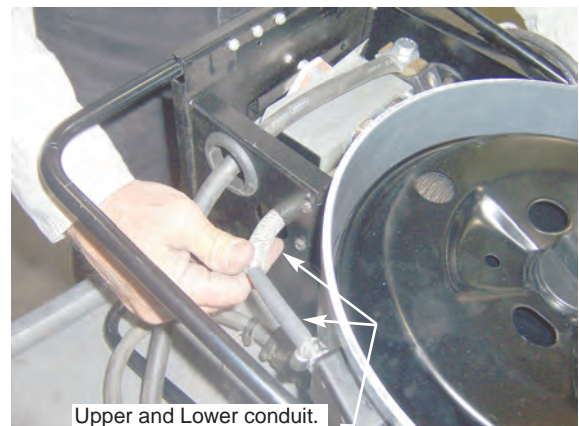
- Do not touch electrically hot parts.

5. Turn on power and trigger the gun to take up slack in the wire.

Watch for kinks when feeding wire thru conduit.



6. Connect the upper conduit and lower Conduit pieces as shown in picture below.



## DRIVE ROLL PRESSURE

The drive roll pressure is pre-set at the factory for proper feeding. If the idle roll tension must be relieved temporarily, see the Maintenance Section for proper adjustment procedure.

## ADJUSTING WIRE FEED SPEED AND VOLTAGE

Set the wire feed as specified in the procedures using the calibrated dial on the back of the LN™-23P control box. When the reduced wire speed switch (mounted on the gun handle) is in Position No. 1, the wire feed speed will be that which is indicated on the dial. In Position No. 2, the wire feed speed will be 83% of the figure indicated on the dial.

Set the voltage by adjusting the voltage control while welding until the voltage specified in the procedures is indicated on the meter. The meter reading with the power source on but not welding is the open circuit voltage. With some power sources, this voltage may be significantly higher than welding voltage.

When establishing initial procedures, start with the voltage control set near minimum. Strike an arc on scrap steel. If the electrode gets hot but the arc fails to start, increase the voltage settings until the arc can be established.

For older Code units (9805), never set the power source open circuit voltage higher than 50<sup>(1)</sup> volts. The LN™-23P will not feed wire if the voltage is higher than 50<sup>(1)</sup> volts. When using these older units with a CV Converter or a DC-600 and inching wire (not welding) at open circuit voltages below 20 volts or above 25 volts, feeding may be unsteady or the wire speed may vary from that set on the dial. This condition does not exist while welding. Minimum usable arc voltage is 14 volts.

**NOTE:** For improved readability of the voltmeter in some applications, the voltmeter guard may be installed rotated end for end. This will result in the protective bars crossing the meter face in a different location.

## MAKING THE WELD

Be sure the proper contact tip for either .068" or 5/64" wire, as appropriate, is in the gun. The thread protector should cover the external threads on the nozzle.

Loosen the insulated socket head screw on the side of the gun, rotate the gun nozzle to the position most convenient for the particular application, and retighten the screw.

When welding, set the wire feeder on the floor or hang it near the work area as convenient. Place the LN™-23P to minimize the amount of spatter falling onto it. **Always keep the gun cable as straight as practical and avoid sharp bends.**

Be sure the electrode cable, work cable, and control lead are connected and the power source is on.

Press the gun trigger to feed the electrode out of the gun. Use a visible stickout equal to the electrical stickout specified in the procedures for the wire being used.

Position the gun with the wire just off or **lightly** touching the work. Press the gun trigger to start the arc. Once the arc is established, the gun trigger can be released while welding. The gun trigger interlock circuit automatically keeps the welding process on. At the end of the weld, pull the gun away from the work.

When not welding, always store the gun in the insulated tube on the front of wire feeder.

While welding with one feeder of a two-feeder installation the electrode of the second feeder is "HOT". Only one feeder at a time can be used for welding. Do not press the gun trigger of the idle feeder while the other feeder is being used since this can shut down the feeder being used for welding.

<sup>(1)</sup> 45 volts on DC-600.

## OPTIONAL EQUIPMENT

### GUN AND CABLE ASSEMBLIES

Type	K-355-10*	K-345-10*	K-264-8	K-361-10	K-406*
Length:	10 feet	10 feet	8 feet	10 feet	Linconditioner Gun 10 ft. (15 ft. Exhaust Hose)
Rated Welding Current:	250 Amps	350 Amps	250 Amps	350 Amps	350 Amps
Duty Cycle	60%	60%	60%	60%	60%
Electrode Sizes	.068, .072, 5/64	.068, .072, 5/64	068, .072, 5/64	068, .072, 5/64	068, .072, 5/64
Reduced Speed Switch	Std.	Std.	None	None	Std.
Sizes	5/64	5/64	5/64	5/64	5/64
Nozzle Angle	90E	90E	62E	62E	68E
Weight	7.0 lbs.	89.3 lbs.	5.2 lbs.	7.5 lbs.	16.0 lbs.

\* Recommended for pipe welding applications.

All guns include one each .068/.072 tip, 5/64 tip, and a thread protector\*\*. The K-264-8 also includes an insulated guide for 3/4" to 1-1/2" stickout. The K-361-10 also includes an insulated guide for 2" stickout.\*\* The K-406 includes an insulated guide for 2" to 1" stickout, but no thread protector.

### K350 ADAPTER KIT

Required when using the LN™-23P on any constant voltage power source. Either one or two LN™-23P's can be connected to the Adapter. If two LN™-23P's are connected, they can be set for different procedures. The Adapter circuit is interlocked so only one LN™-23P can be used at a time.

#### K350-1 Adapter Kit

The K350-1 is similar to the K350 but has a 14 pin connector on the end of the control cable that will interface with any Lincoln power source that utilizes a 14 pin connector for control.

**Note:** An Adapter Kit is not required when connecting a LN™-23P / K316L-2 (8pin connector) to a V350-Pipe, V350PRO or V450PRO.

### K-276 ENCLOSED WIRE REEL SUPPORT

Bolts to the LN™-23P frame for feeding wire from standard 50 lb. Innershield coils. Includes enclosure and door to keep the dirt out; also includes wire reel brake assembly.

## SAFETY PRECAUTIONS

### ⚠ WARNING

Have qualified personnel do the maintenance work. Turn the engine off before working inside the machine. In some cases, it may be necessary to remove safety guards to perform required maintenance. Remove guards only when necessary and replace them when the maintenance requiring their removal is complete. Always use the greatest care when working near moving parts.



**ELECTRIC SHOCK can kill.**

- Do not touch electrically live parts or electrode with skin or wet clothing.
- Insulate yourself from work and ground
- Always wear dry insulating gloves.

See additional warning information throughout this operator's manual and the Engine manual as well.

**REPLACING OR REVERSING DRIVE ROLLS** (See Figure D.1).

Loosen idle roll tension screw (Item 1) to release pressure between idle roll and drive rolls.

Remove hex head screw (Item 2) with a 1/2" wrench and remove the drive roll clamping collar (Item 3).

Remove drive rolls from shaft.

Wipe the drive roll surfaces clean. Then install new drive rolls. If reversing drive rolls, turn drive rolls over so unworn teeth face each other.

Replace clamping collar and hex head screw.

Tighten the idle roll tension screw until it bottoms and then back it out two complete turns. If feeding problems persist, do not increase the tension. Check for other issues such as the wire spool binding or a dirty or damaged gun cable.

### REMOVING IDLE ROLL ASSEMBLY

Remove the idle roll tension screw (Item 1), tension spring retainer (Item 4), and tension spring (Item 5).

Pivot the idle roll assembly away from the gearbox and lift it off the pivot pin (Item 6).

To re-assemble, replace idle roll assembly, tension spring, retainer, and tension screw. Adjust the tension screw as described above.

### GUN AND CABLE MAINTENANCE

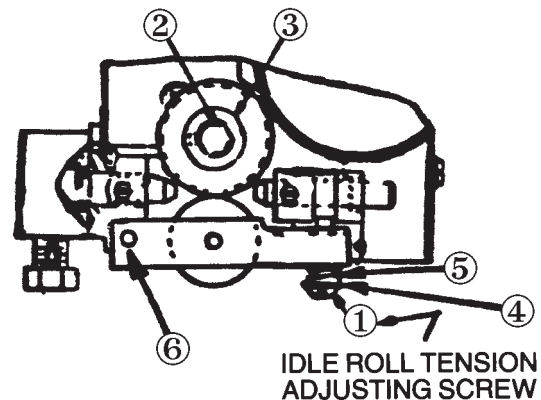
Remove spatter from tip after each ten minutes of arc time or as required.

Replace worn contact tips and thread protectors as required.

Replace worn spring liners in nozzles. The life of the spring can be doubled by rotating it 180°.

Clean cables after using approximately 300 pounds of electrode. Remove the cable from the wire feeder and lay it out straight on the floor. Remove the contact nozzle tip from the gun. Using an air hose and only partial pressure, gently blow out the cable from the gun end. (Too much pressure at the start will cause the dirt to form a plug.) Flex the cable over its entire length and again blow out the cable. Repeat this procedure until no further dirt comes out.

Figure D.1



Before any gun is disassembled, remove unit from the wire feeder or shut off the power source.

### WIRE DRIVE ASSEMBLY MAINTENANCE

Every 500 pounds of electrode, the drive roll section should be inspected and cleaned out if necessary. Do not use a solvent for cleaning the idle roll as it may wash lubricant out of the bearing.

Replace drive rolls as required. Drive rolls should be worn on both sides before replacing. See "A" of this section.

Check the motor brushes every six months. Replace if they are less than 1/4" long.

Every year examine the gear box and paint the gear teeth with moly-disulfide filled grease.

## CIRCUIT PROTECTION

**Circuit Breaker** – The 3.5 amp circuit breaker located on the rear of the unit normally trips only when an overload occurs because of excessive loading in the wire feed cable or a defective motor or control components. After allowing a few minutes for cooling, push the reset button and weld. If it trips again, be sure the gun cable is not being excessively bent, is clean, and is the proper size for the wire diameter being fed. If it still trips, look for a defective electrical component.

## POWER SOURCE

One or two LN™-23P's can be connected to a DC power source (constant voltage) with a K-350 or K350-1 Adapter Kit. If two LN™-23P's are connected, they can be set for different procedures but only one can be used at a time.

### LN™-23P/ Power Source Combinations

1. Classic II, Classic III, Classic IIID, or SA-250 with K350-1 Adapter Kit and K623-1 Wire Feed Module.
2. Commander 300, Commander 400 or Commander 500 with K350-1 Adapter Kit.
3. Ranger 250 , Ranger 275, or Ranger 305G with K350-1 Adapter Kit.
4. CV-300, CV305, CV-400, DC-400, DC-600, DC655 or V300, V350 Pro, V450 Pro with K350-1 Adapter Kit.  
**NOTE:** The K350 must be used on power sources with terminal strip connections only.  
 K316L-2 may not require a K350-1 adapter if the power source has a Lincoln 14 pin connector.
5. SAE-400 or SAE-400 Weld 'N Air with K316L-2, K385-2 CV Adapter & K2379-1 Adapter Kit.  
**NOTE:** Only allows for one LN™-23P feeder.  
 Gun will always be HOT when SAE-400 is running.
6. SAE-400 with a K385-1 and a K350 Adapter.  
**NOTE:** K350 wii have to be powered from 120VAC receptacle (customer responsibility).  
 No remote control of weld voltage from LN™-23P  
 Gun will always be HOT when SAE -400 is running
7. LN™-23P (K316L-2) used with V350-Pipe does not require a K350-1 Adapter.

Power source connection diagrams:

M17323  
 M14272  
 S25869  
 S25149

## NAMEPLATES

Whenever routine maintenance is performed on this machine — or at least yearly — inspect all nameplates and labels for legibility. Replace those which are no longer clear. Refer to the parts list for the replacement item number.



## HOW TO USE TROUBLESHOOTING GUIDE

### WARNING

Service and Repair should only be performed by Lincoln Electric Factory Trained Personnel. Unauthorized repairs performed on this equipment may result in danger to the technician and machine operator and will invalidate your factory warranty. For your safety and to avoid Electrical Shock, please observe all safety notes and precautions detailed throughout this manual.

This Troubleshooting Guide is provided to help you locate and repair possible machine malfunctions. Simply follow the three-step procedure listed below.

#### **Step 1. LOCATE PROBLEM (SYMPTOM).**

Look under the column labeled "PROBLEM (SYMPTOMS)". This column describes possible symptoms that the machine may exhibit. Find the listing that best describes the symptom that the machine is exhibiting.

#### **Step 2. POSSIBLE CAUSE.**

The second column labeled "POSSIBLE CAUSE" lists the obvious external possibilities that may contribute to the machine symptom.

#### **Step 3. RECOMMENDED COURSE OF ACTION**

This column provides a course of action for the Possible Cause, generally it states to contact your local Lincoln Authorized Field Service Facility.

If you do not understand or are unable to perform the Recommended Course of Action safely, contact your local Lincoln Authorized Field Service Facility.

### CAUTION

If for any reason you do not understand the test procedures or are unable to perform the tests/repairs safely, contact your **Local Lincoln Authorized Field Service Facility** for technical troubleshooting assistance before you proceed.

Observe all Safety Guidelines detailed throughout this manual

PROBLEMS (SYMPTOMS)	POSSIBLE CAUSE	RECOMMENDED COURSE OF ACTION
Motor won't run.	<ol style="list-style-type: none"> <li>1. Circuit breaker tripped.</li> <li>2. For Code 9085, OCV is above 50 volts (45 volts on DC-600).</li> <li>3. Wrong polarity – unit is shipped internally connected to operate on negative polarity only.</li> <li>4. Remote voltage sensing work lead not connected to work.</li> <li>5. Electrode lead not connected to LN™-23P.</li> <li>6. Control cable not properly connected to CV Converter or Adapter Kit.</li> <li>7. Faulty gun trigger or broken control wires.</li> <li>8. Faulty control circuit.</li> <li>9. Faulty CV Converter, Adapter Kit or Power Source.</li> </ol>	<p>If all recommended possible areas of misadjustment have been checked and the problem persists, <b>Contact your local Lincoln Authorized Field Service Facility.</b></p>
Drive rolls are turning but wire will not feed, or erratic feeding.	<ol style="list-style-type: none"> <li>1. Gun cable being excessively bent.</li> <li>2. Dirty gun cable.</li> <li>3. Loop of wire caught on bent tang in wire reel.</li> <li>4. Worn drive rolls.</li> <li>5. Improper idle roll tension setting.</li> </ol>	
Erratic arc action.	<ol style="list-style-type: none"> <li>1. Worn tip.</li> <li>2. Incorrect wire feed speed or voltage.</li> <li>3. Poor work lead connection.</li> </ol>	

 **CAUTION**

If for any reason you do not understand the test procedures or are unable to perform the tests/repairs safely, contact your **Local Lincoln Authorized Field Service Facility** for technical troubleshooting assistance before you proceed.

LN™-23P

**LINCOLN**<sup>®</sup>  
ELECTRIC

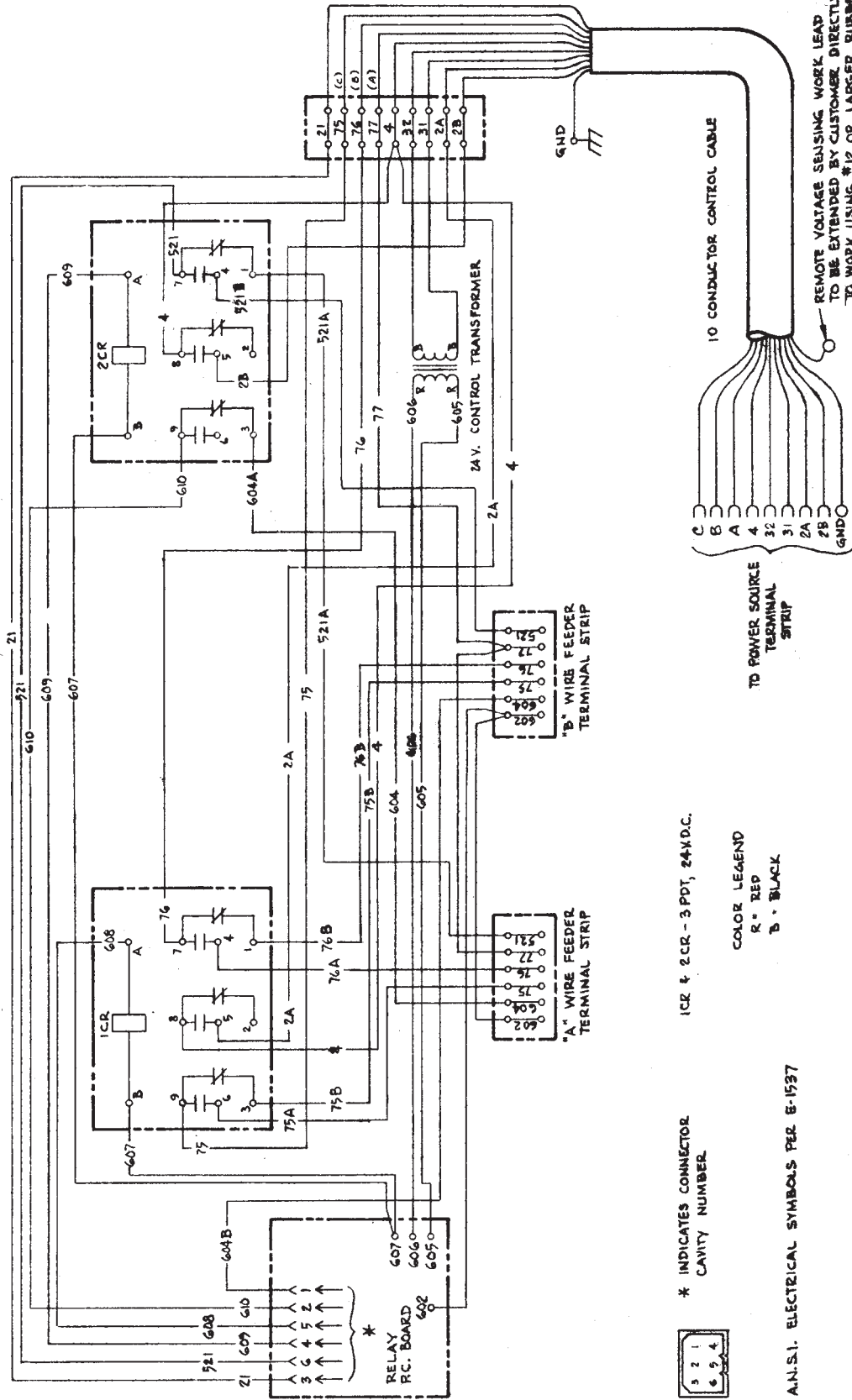
Observe all Safety Guidelines detailed throughout this manual

PROBLEMS (SYMPTOMS)	POSSIBLE CAUSE	RECOMMENDED COURSE OF ACTION
Improper wire speed control.	1. Faulty printed circuit board, faulty rheostat, or faulty motor.	If all recommended possible areas of misadjustment have been checked and the problem persists, <b>Contact your local Lincoln Authorized Field Service Facility.</b>
Can't obtain required voltage.	<ol style="list-style-type: none"> <li>1. Defective power source of CV Converter.</li> <li>2. On SAM welders, constant voltage control must be adjusted to give required voltage and mode switch must be set to constant voltage position.</li> <li>3. On transformer or inverter welders, fine voltage control switch must be set to remote position.</li> <li>4. Broken lead(s) in 75-76-77 (A-B-C) control circuit.</li> <li>5. Defective voltage control rheostat.</li> </ol>	

 **CAUTION**

If for any reason you do not understand the test procedures or are unable to perform the tests/repairs safely, contact your **Local Lincoln Authorized Field Service Facility** for technical troubleshooting assistance before you proceed.

LN™-23P ADAPTER KIT WIRING DIAGRAM



\* INDICATES CONNECTOR CAVITY NUMBER

1CR & 2CR - 3 PDT, 24V D.C.

COLOR LEGEND  
 R = RED  
 B = BLACK

A.N.S.I. ELECTRICAL SYMBOLS PER E-1937

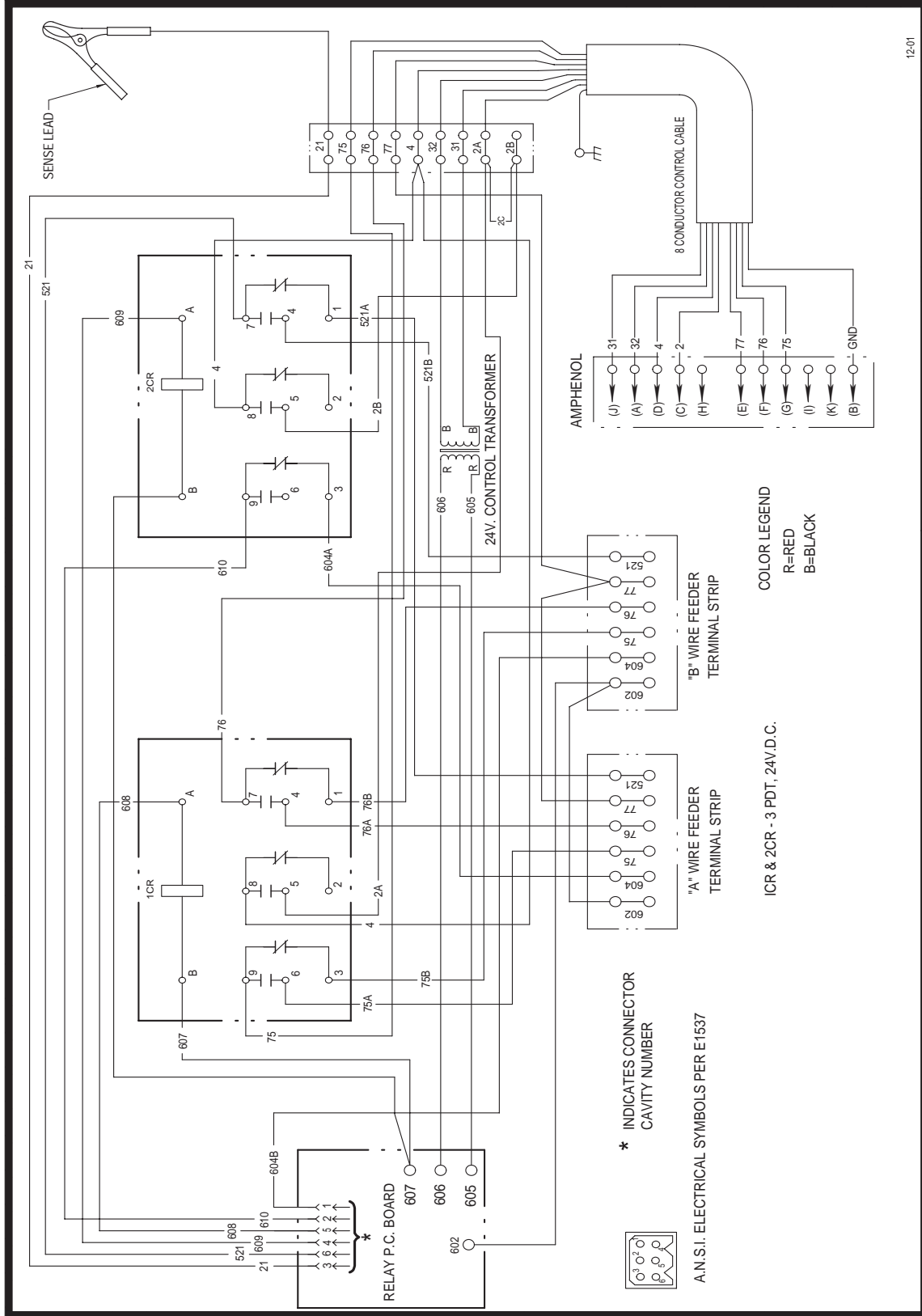


REMOTE VOLTAGE SENSING WORK LEAD TO BE EXTENDED BY CUSTOMER DIRECTLY TO WORK USING #12 OR LARGER RUBBER COVERED FLEX WIRE.

M-14247  
 2-19-82

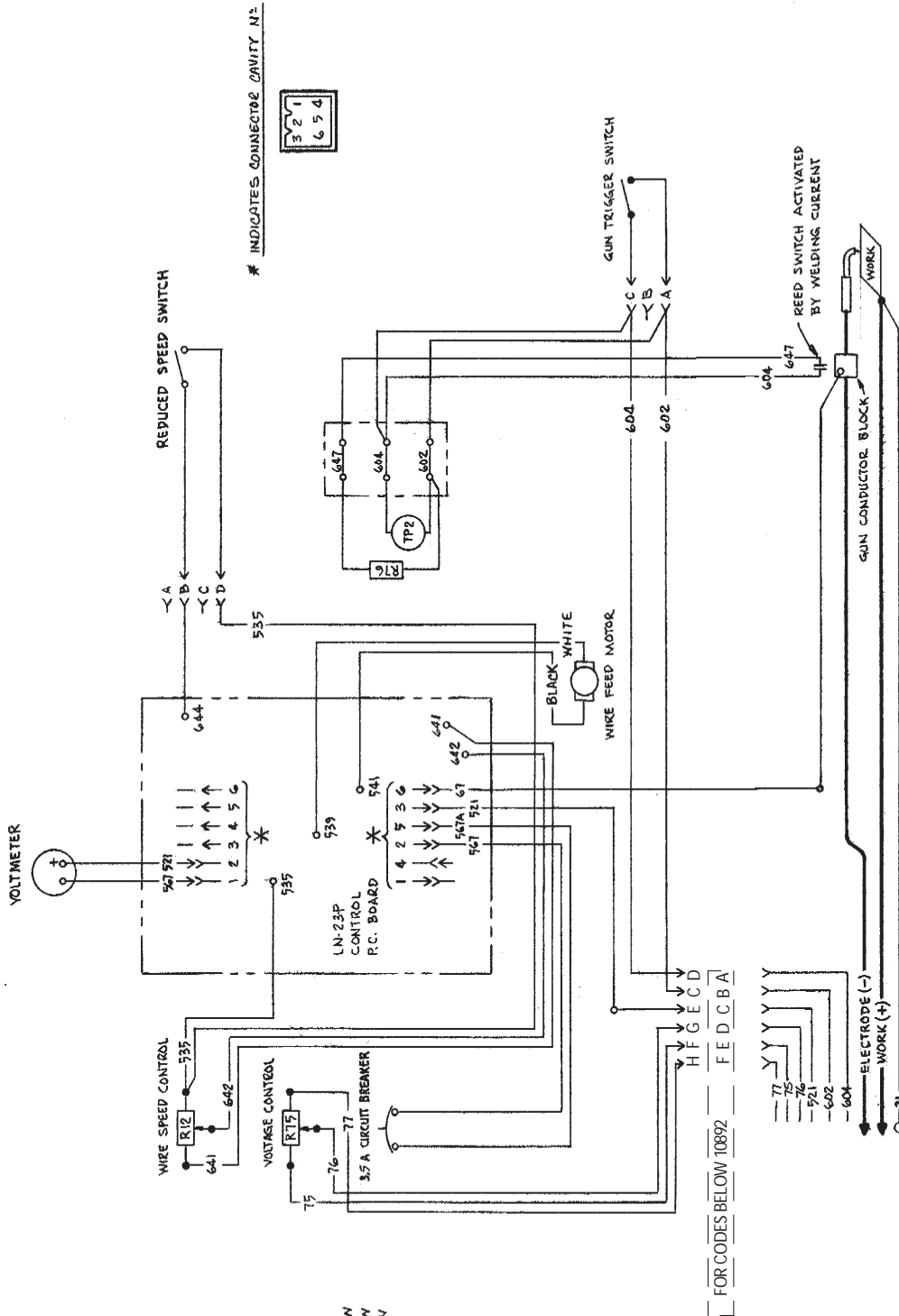
NOTE: This diagram is for reference only. It may not be accurate for all machines covered by this manual. The specific diagram for a particular code is pasted inside the machine on one of the enclosure panels. If the diagram is illegible, write to the Service Department for a replacement. Give the equipment code number..

LN™ -23P ADAPTER KIT WIRING DIAGRAM



NOTE: This diagram is for reference only. It may not be accurate for all machines covered by this manual. The specific diagram for a particular code is pasted inside the machine on one of the enclosure panels. If the diagram is illegible, write to the Service Department for a replacement. Give the equipment code number..

LN™-23P WIRING DIAGRAM



CRM33074 (8/01)  
**M14197**

NOTE: This diagram is for reference only. It may not be accurate for all machines covered by this manual. The specific diagram for a particular code is pasted inside the machine on one of the enclosure panels. If the diagram is illegible, write to the Service Department for a replacement. Give the equipment code number..



CONNECTION OF CV CONVERTER TO LN™-23P'S AND SA-200 OR SA-250

SA-200 CODES 3417 AND HIGHER, AND ALL SA-250 WELDERS MAY BE CONVERTED PER THESE INSTRUCTIONS:

NOTE: For the SA-200 (Codes 7276 & higher) and also the SA-250 (all codes) an optional re-connect panel (K-808-A) is available which simplifies changing the engine welder from stick welding to innershield with the CV converter. Stick welding cables must not be connected to the engine welder (with or without a X808A) when the engine welder is connected to the CV converter. See Note N.A.A. for additional information. If welding with both stick and innershield is desired, if this re-connect panel is used, follow the installation instructions supplied with the option. If the re-connect panel is not used, set up and operate SA-200 or SA-250 for innershield welding with the CV converter as follows:

CAUTION: Incorrect connections can damage equipment. Read and follow these instructions carefully.

Make three #6AWG rubber covered leads per Figure 1.

	SA-200	SA-250
A	31.00	32.00
B	20.00	31.00
C	17.00	24.00

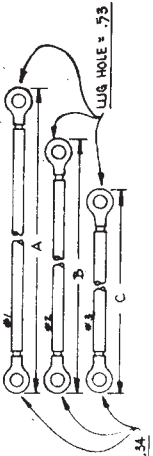
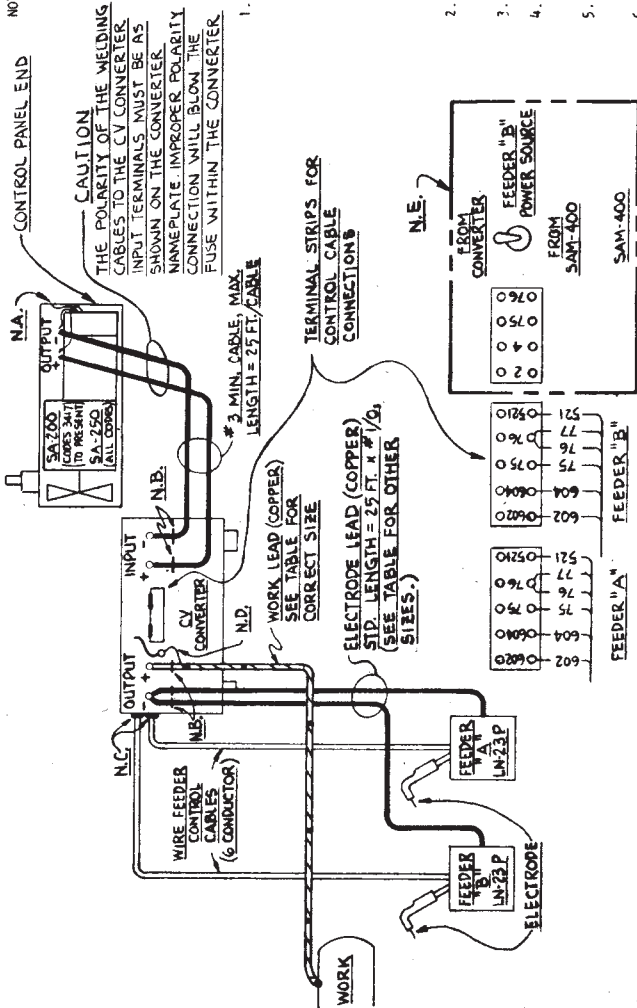


FIG. 1

1. With the power source turned off, remove copper strap from work (-) stud, & with electrical tape, insulate and tape to adjacent lead to prevent movement.
2. Remove bracket cover.
3. Check that rocker is properly located, refer to operating manual, IM-276-A (SA-200) & IM-288-A (SA-250).
4. Feed the three #6AWG leads made in Step 1 through the top opening of the baffle in front of rocker.
5. Viewing commutator from control panel end, remove coil lead from bottom right brush holder. Retighten this bolt leaving jumper lead in place.
6. Bolt #1, 6AWG lead to the coil lead removed in step 6. With electrical tape insulate connection & tape to adjacent lead to prevent movement.
7. Bolt #1 & #2 6AWG leads to the work (-) stud.
8. Remove the coil lead from the top left brush holder. To this lead, bolt the #2 6AWG lead. With electrical tape, insulate connection & tape to adjacent lead to prevent movement.
9. Connect the #3, 6AWG lead to the top left brush holder with existing jumper.
10. Remove bottom lead (number 3 TAP) from current range switch.
11. Bolt #3, 6AWG lead to lead removed in step 11), and with electrical tape, insulate connection on.
12. Replace bracket cover.



NOTE: WHEN WELDING WITH THE CV CONVERTER, SET THE "FINE CURRENT ADJUSTMENT" CONTROL TO "100" ON THE SA-200 AND 80/85 CV (APPROXIMATELY "60" ON FINE CURRENT ADJUSTMENT) ON THE SA-250. THE "CURRENT RANGE SELECTOR SWITCH" IS INOPERATIVE.

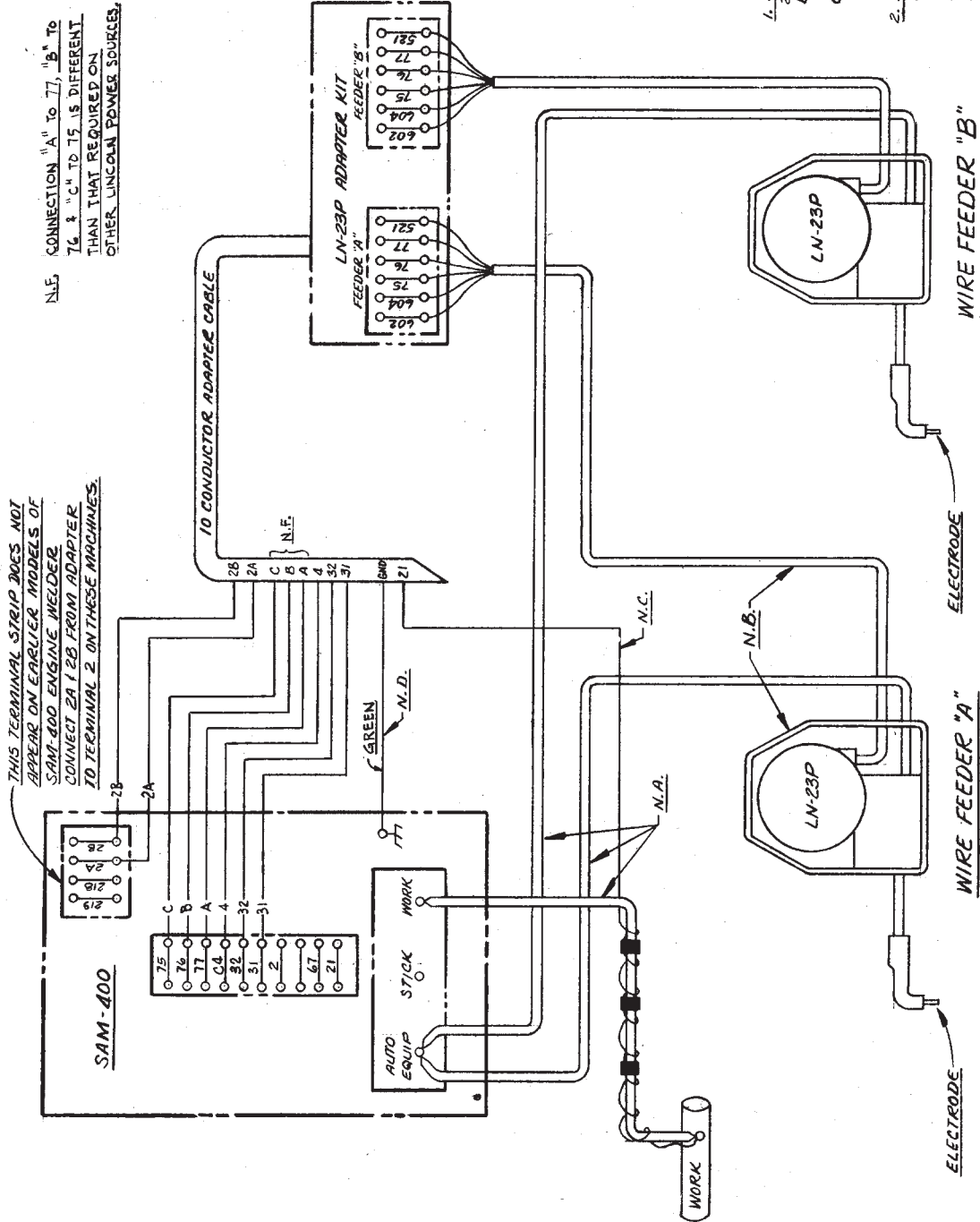
- N.A. FEED INPUT/OUTPUT CABLES THRU STRAIN RELIEFS ON FRONT.
- N.B. Feed control cables thru strain reliefs on side.
- N.C. WORK SENSING LEAD, #12 AWG OR LARGER RUBBER COVERED FLEX, TO BE WRAPPED AROUND WORK LEAD AND TAPED. BOLTED CONNECTION TO BE INSULATED WITH ELECTRICAL TAPE.
- N.D. ON CV CONVERTERS WITH CODE B932, TOGGLE SWITCH MUST BE SET TO "FROM CONVERTER". THE "SAM-400" TERMINAL STRIP & "FROM CONVERTER" TOGGLE SWITCH DO NOT APPEAR ON CV CONVERTERS WITH CODES ABOVE B700.
- N.E. SET THE ENGINE TO OPERATE CONTINUOUSLY AT HIGH IDLE.
- N.F.A. CAUTION: The engine welder must not be used for stick welding when it is connected to the CV converter for innershield welding. The engine welder must be properly reconnected for stick welding and both input power leads to the CV converter must be disconnected before connecting leads to the engine welder for stick welding. Damage to the CV converter can result if this instruction is not followed.



M-14265  
6-22-84J

NOTE: This diagram is for reference only. It may not be accurate for all machines covered by this manual. The specific diagram for a particular code is pasted inside the machine on one of the enclosure panels. If the diagram is illegible, write to the Service Department for a replacement. Give the equipment code number..

CONNECTION OF LN™-23P'S AND ADAPTER KIT TO SAM-400 ENGINE WELDERS



NOTES

- N.A. WELDING CABLES MUST BE OF PROPER CAPACITY FOR THE CURRENT AND THE DUTY CYCLE OF IMMEDIATE AND FUTURE APPLICATIONS. SEE LN-23P INSTRUCTION MANUAL.
- N.B. IF ONLY ONE LN-23P IS USED, CONNECT TO FEEDER 'A' TERMINAL STRIP IN ADAPTER. IF THE LOW VOLTAGE OPTION IS INSTALLED CONNECT A JUMPER FROM 2A TO 2B ON SAM TERMINAL STRIP.
- N.C. REMOVE VOLTAGE SENSING LEAD TO BE EXTENDED BY CUSTOMER DIRECTLY TO WORK USING #12 OR LARGER RUBBER COVERED FLEX WIRE. WELD WIRE AROUND WORK LEAD AND TAPE.
- N.D. CONNECT THE ADAPTER CABLE GROUND LEAD TO FRAME TERMINAL MARKED IT NEAR THE POWER SOURCE TERMINAL STRIP. THE POWER SOURCE MUST BE PROPERLY GROUNDED AS REQUIRED BY LOCAL CODES.

SAM-400 INSTRUCTIONS

1. SET CONTROLS AS FOLLOWS:
  - a. THE RANGE SWITCH FOR CONSTANT VOLTAGE.
  - b. THE ELECTRODE POLARITY SWITCH TO "NEGATIVE CONSTANT VOLTAGE".
  - c. THE CONSTANT VOLTAGE CONTROL TO THE POSITION THAT GIVES THE REQUIRED RANGE OF CONTROL AT THE LN-23P UNITS.
2. IF THE LOW VOLTAGE OPTION IS INSTALLED, FEEDER 'A' WILL ONLY OPERATE WHEN THE SELECTOR SWITCH IS IN THE LOW POSITION (23V-20V) AND FEEDER 'B' WILL ONLY OPERATE WHEN THE SELECTOR SWITCH IS IN THE HIGH POSITION (35V-30V).

M-14269  
12-7-2001

NOTE: This diagram is for reference only. It may not be accurate for all machines covered by this manual. The specific diagram for a particular code is pasted inside the machine on one of the enclosure panels. If the diagram is illegible, write to the Service Department for a replacement. Give the equipment code number..



CONNECTION OF LN™-23P AND ADAPTER KIT TO R3S-250 OR R3S-325

**NOTES**

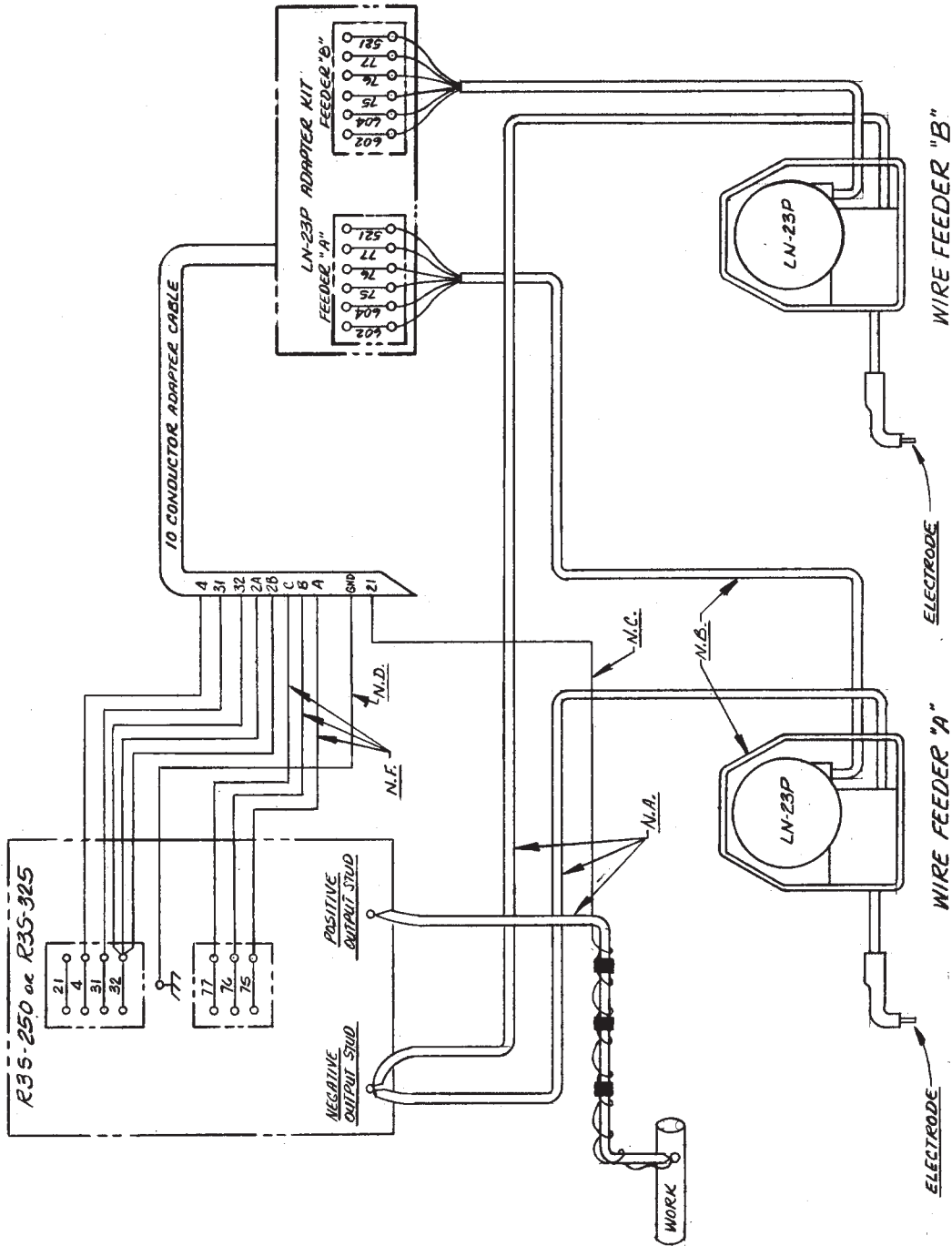
N.A. WELDING CABLES MUST BE OF PROPER CAPACITY FOR THE CURRENT AND THE DUTY CYCLE OF IMMEDIATE AND FUTURE APPLICATIONS. SEE LN-23P INSTRUCTIONAL MANUAL.

N.B. IF ONLY ONE LN-23P IS USED, CONNECT TO FEEDER "A" TERMINAL STRIP IN ADAPTER.

N.C. REMOTE VOLTAGE SENSING LEAD TO BE EXTENDED BY CUSTOMER DIRECTLY TO WIRE USING #18 OR LARGER RUBBER COVERED FLEXIBLE WIRE WOUND AROUND WIRE LEAD AND TAPE.

N.D. CONNECT THE ADAPTER CABLE GROUND LEAD TO FRAME TERMINAL MARKED AT NEAR THE POWER SOURCE TERMINAL STRIP. THE POWER SOURCE MUST BE PROPERLY GROUNDED.

N.F. IF LINE VOLTAGE COMPENSATOR IS USED, TAPE UP LEADS "A" AND "C". AEC VOLTAGE IS CONTROLLED BY THE LINE VOLTAGE COMPENSATOR RHEOSTAT. THERE WILL BE NO ADJUSTMENT OF VOLTAGE BY THE VOLTAGE CONTROL OPTION.



M-14270  
12-7-2001

NOTE: This diagram is for reference only. It may not be accurate for all machines covered by this manual. The specific diagram for a particular code is pasted inside the machine on one of the enclosure panels. If the diagram is illegible, write to the Service Department for a replacement. Give the equipment code number..



CONNECTION OF LN™-23P AND ADAPTER KIT TO R3S-400, 600 OR 800

**NOTES**

N.A. WELDING CABLES MUST BE OF PROPER CAPACITY FOR THE CURRENT AND THE DUTY CYCLE OF IMMEDIATE AND FUTURE APPLICATIONS. SEE LN-23P INSTRUCTION MANUAL.

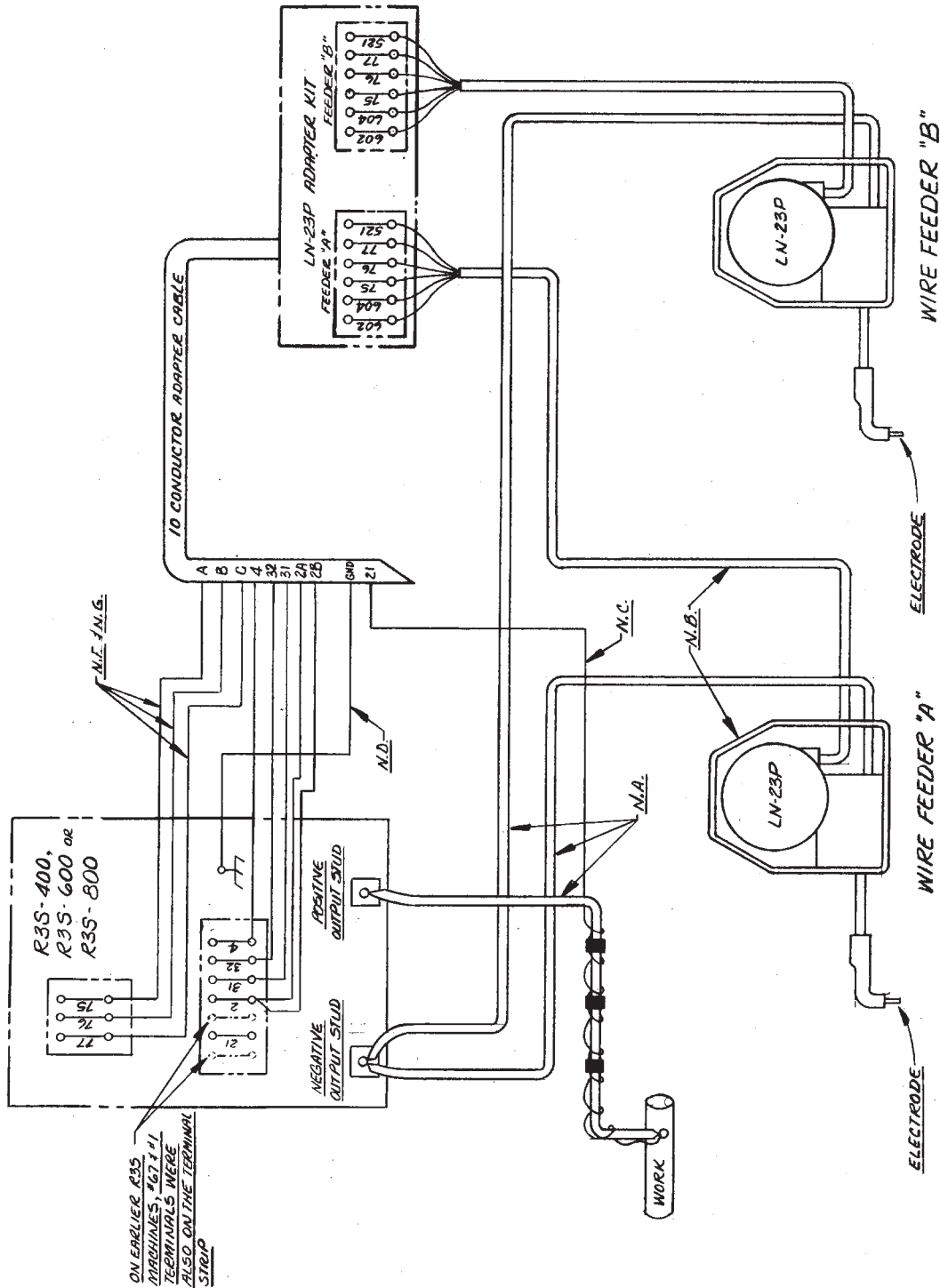
N.B. IF ONLY ONE LN-23P IS USED, CONNECT TO FEEDER "A" TERMINAL STRIP IN ADAPTER.

N.C. REMOTE VOLTAGE SENSING LEAD TO BE EXTENDED BY WORK USING AIR OR LARGER RUBBER COVERED FLEX WIRE LEAD AND TAPE.

N.D. CONNECT THE ADAPTER CABLE GROUND LEAD TO FRAME TERMINAL MARKED IT NEAR THE POWER SOURCE TERMINAL STRIP THE POWER SOURCE MUST BE PROPERLY GROUNDED.

N.F. IF LINE VOLTAGE COMPENSATOR IS USED, TAKE UP LEADS "A" & "B" ARC VOLTAGE IS CONTROLLED BY THE LINE VOLTAGE COMPENSATOR. READ STATEMENT OF VOLTAGE BY THE VOLTAGE CONTROL OPTION.

N.G. UPPER TERMINAL STRIP DOES NOT APPEAR ON OLDER R3S MACHINES. LEADS "A" & "B" SHOULD THEN BE TAPPED. THERE WILL BE NO ADJUSTMENT OF VOLTAGE BY THE LN-23P UNITS.



M-14271  
12-7-2001

NOTE: This diagram is for reference only. It may not be accurate for all machines covered by this manual. The specific diagram for a particular code is pasted inside the machine on one of the enclosure panels. If the diagram is illegible, write to the Service Department for a replacement. Give the equipment code number..

CONNECTION OF LN™-23P AND ADAPTER KIT TO DC-250, DC-400 OR DC-600

NOTES

N.A. WELDING CABLES MUST BE OF PROPER CAPACITY FOR THE CURRENT AND THE DUTY CYCLE OF IMMEDIATE AND FUTURE APPLICATIONS. SEE LN-23P INSTRUCTION MANUAL.

N.B. IF ONLY ONE LN-23P IS USED, CONNECT TO FEEDER "A" TERMINAL STRIP IN ADAPTER.

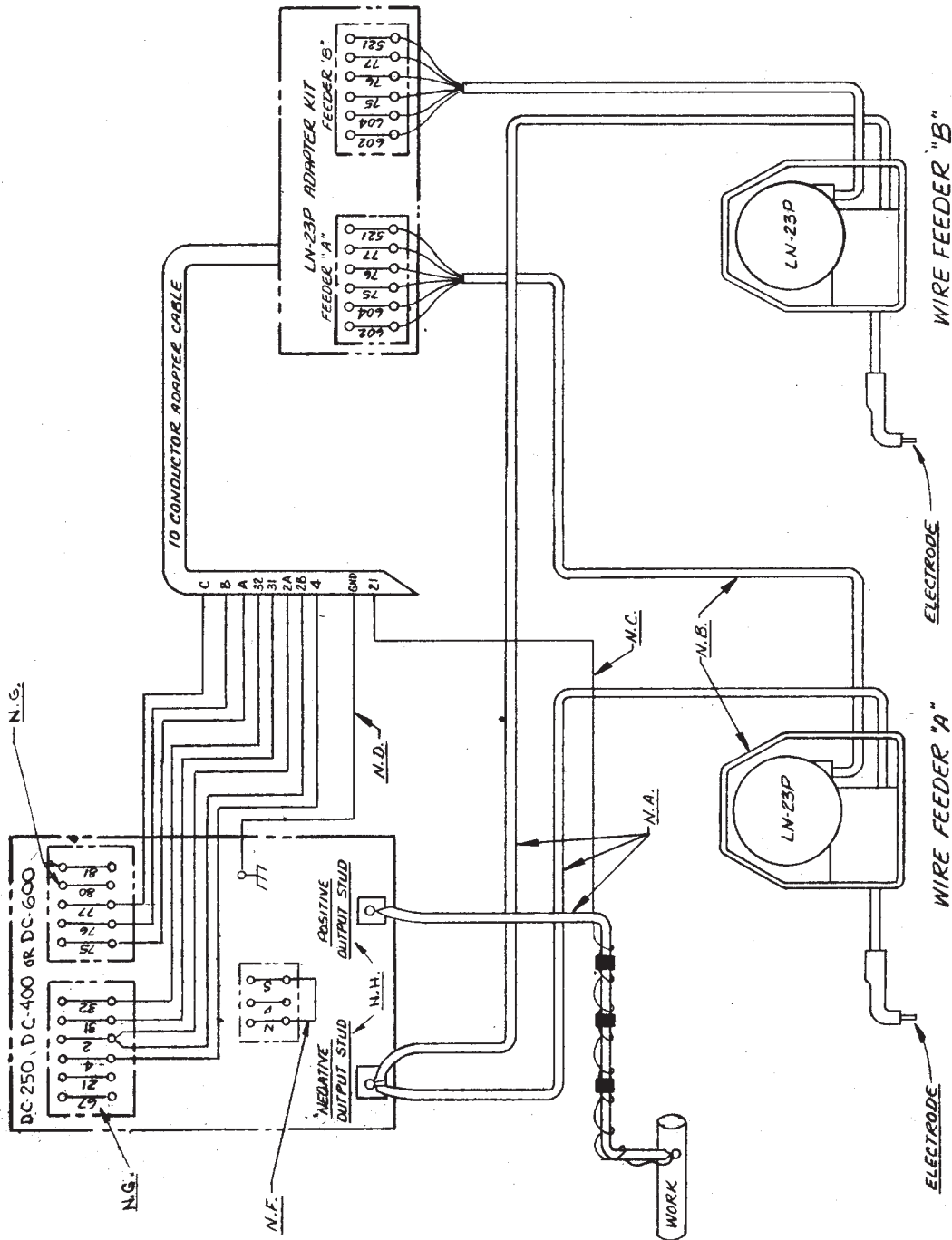
N.C. REMOVE VOLTAGE SENSING LEAD TO BE EXTENDED BY CUSTOMER DIRECTLY TO WORK USING #12 OR LARGER RUBBER COVERED FLEX WIRE WIPAP WIRE AROUND WORK LEAD AND TANK.

N.D. CONNECT THE ADAPTER CABLE GROUND LEAD TO FRAME TERMINAL MARKED "A" NEAR THE POWER SOURCE TERMINAL STRIP. THE POWER SOURCE MUST BE PROPERLY GROUNDING.

N.F. FOR DC-600 CODES BELOW 8200, CONNECT A JUMPER FROM "N" TO "S" THERE IS NO "NPS" STRIP ON DC-400'S OR DC-600'S WITH CODES ABOVE 8200 OR DC-250.

N.G. TERMINALS 67, 90 & 91 NOT PRESENT ON DC-400 OR DC-250.

N.H. C.Y. OUTPUT TERMINALS ON DC-250.



M-14272  
12-7-2001

NOTE: This diagram is for reference only. It may not be accurate for all machines covered by this manual. The specific diagram for a particular code is pasted inside the machine on one of the enclosure panels. If the diagram is illegible, write to the Service Department for a replacement. Give the equipment code number..



CONNECTION DIAGRAM: ENGINE WELDERS COMPATIBLE WITH LN™ -23P WITH K350-1 ADAPTER KIT

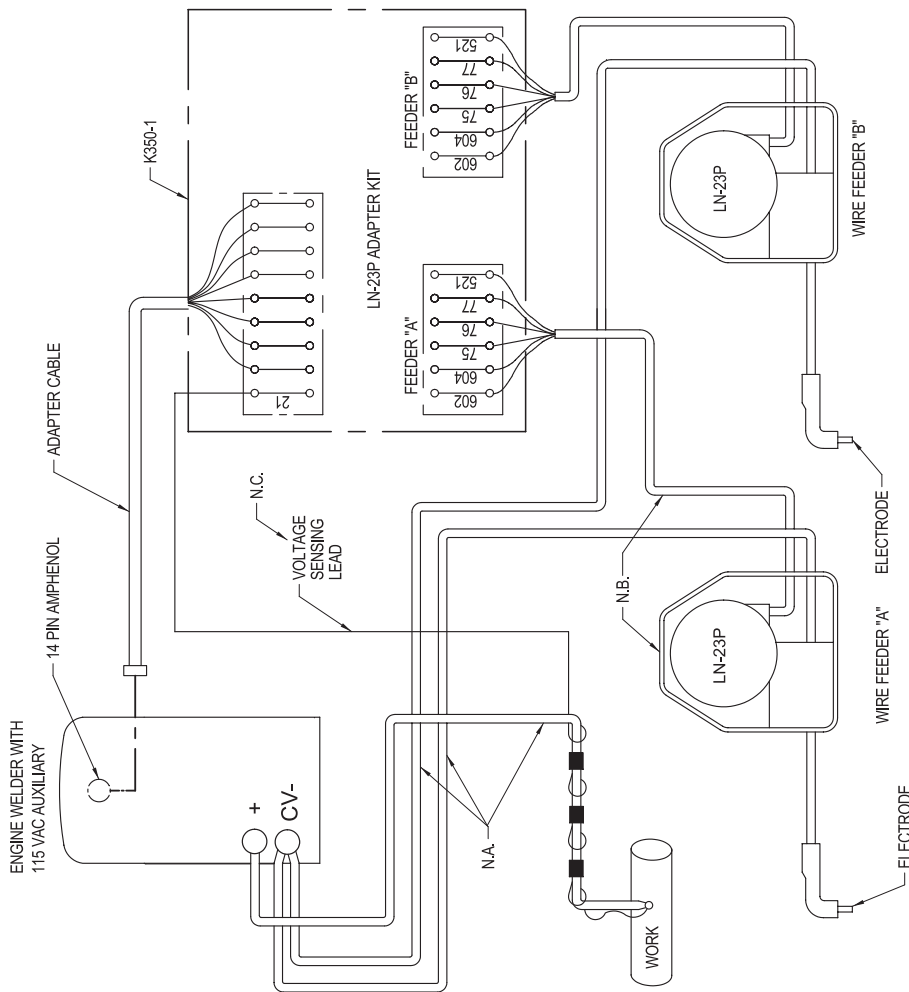
**WARNING**

**ELECTRIC SHOCK can kill!**

- Do not operate with panels open.
- Disconnect NEGATIVE (-) Battery lead before servicing.
- Do not touch electrically live parts.

**MOVING PARTS can injure**

- Keep guards in place.
- Keep away from moving parts.
- Only qualified personnel should install use or service this equipment.



**OPERATING INSTRUCTIONS:**

N.A. WELDING CABLES MUST BE OF PROPER CAPACITY FOR THE CURRENT AND THE DUTY CYCLE OF IMMEDIATE AND FUTURE APPLICATIONS. SEE LN-23P OPERATING MANUAL FOR PROPER SIZES.

N.B. IF ONLY ONE LN-23P IS USED, CONNECT TO FEEDER "A" TERMINAL STRIP IN ADAPTER.

N.C. CUSTOMER TO WRAP SENSING LEAD AROUND WORK LEAD AND TAPE.

THE FOLLOWING NOTES APPLY ONLY TO THOSE MACHINES THAT ARE EQUIPPED WITH THE PARTICULAR FEATURE BEING SPECIFIED. TERMINOLOGY ON SOME MACHINES MAY BE SLIGHTLY DIFFERENT THAN SHOWN.

N.E. SET THE WIRE FEEDER VOLTMETER SWITCH TO "V".

N.F. SET THE WELD MODE SELECTOR SWITCH TO "CV-WIRE WELDING".

N.G. IF REMOTE OUTPUT CONTROL IS USED, SET THE LOCAL/REMOTE SWITCH TO "REMOTE".

N.H. SET THE WELDING TERMINALS SWITCH TO "REMOTELY CONTROLLED".

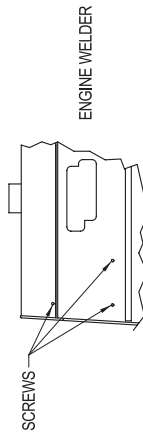
**ADAPTER KIT INSTALLATION INSTRUCTIONS:**

**CAUTION:** WHEN MOUNTING ADAPTER TO WELDER, SPECIAL CARE IS TO BE TAKEN AS NOT TO DAMAGE ANY MACHINE COMPONENTS, SUCH AS BUT NOT LIMITED TO ELECTRICAL COMPONENTS, WIRES, OR FUEL TANKS.

N.J. MOUNT ADAPTER IN A CONVENIENT LOCATION - AS NOT TO INTERFERE WITH THE NORMAL MACHINE OPERATION.

SPECIAL INSTALLATION INSTRUCTIONS FOR THE COMMANDER 300 & 500 ONLY:

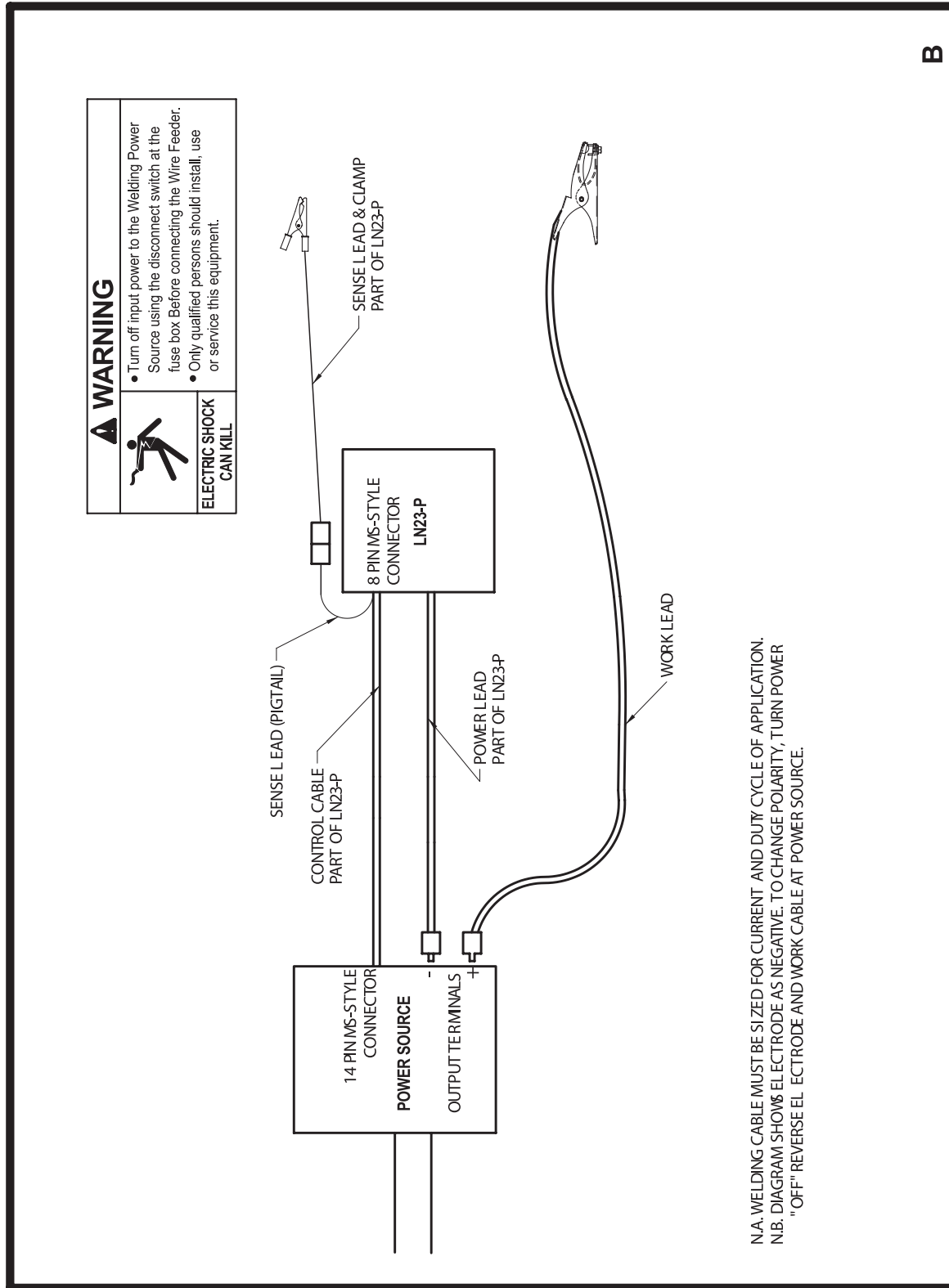
1. REPLACE EXISTING BRACKET ON ADAPTER KIT ASSEMBLY WITH THE ADAPTER BRACKET THAT HAS A 1/2" SQUARE HOLE IN IT.
2. REMOVE THE THREE SCREWS SHOWN AND USE THEM TO FASTEN THE ADAPTER KIT ASSEMBLY ONTO THE WELDER.



12-7-2001

**M17323**

NOTE: This diagram is for reference only. It may not be accurate for all machines covered by this manual. The specific diagram for a particular code is pasted inside the machine on one of the enclosure panels. If the diagram is illegible, write to the Service Department for a replacement. Give the equipment code number..

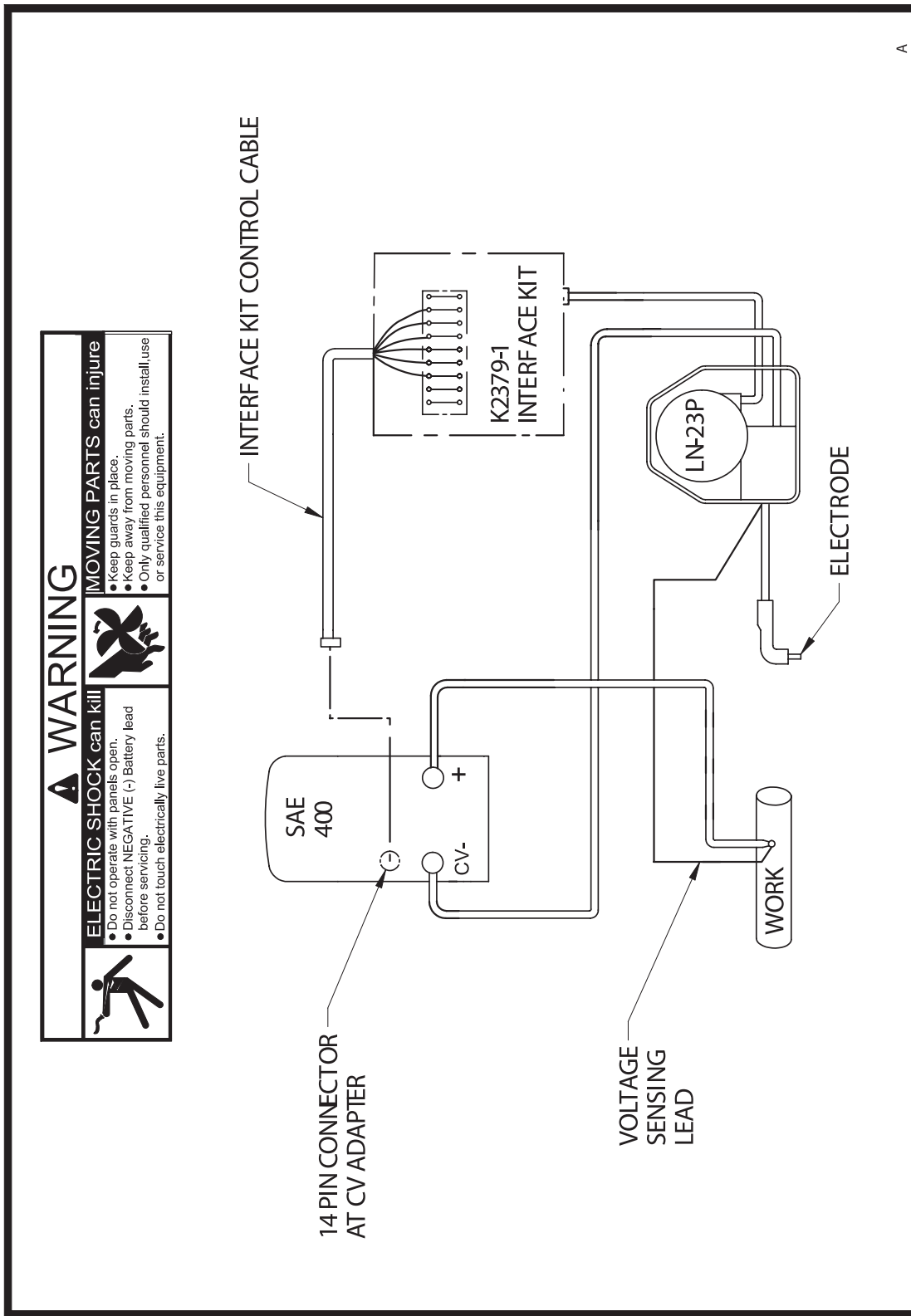


**B**

**S25419**

NOTE: This diagram is for reference only. It may not be accurate for all machines covered by this manual. The specific diagram for a particular code is pasted inside the machine on one of the enclosure panels. If the diagram is illegible, write to the Service Department for a replacement. Give the equipment code number..

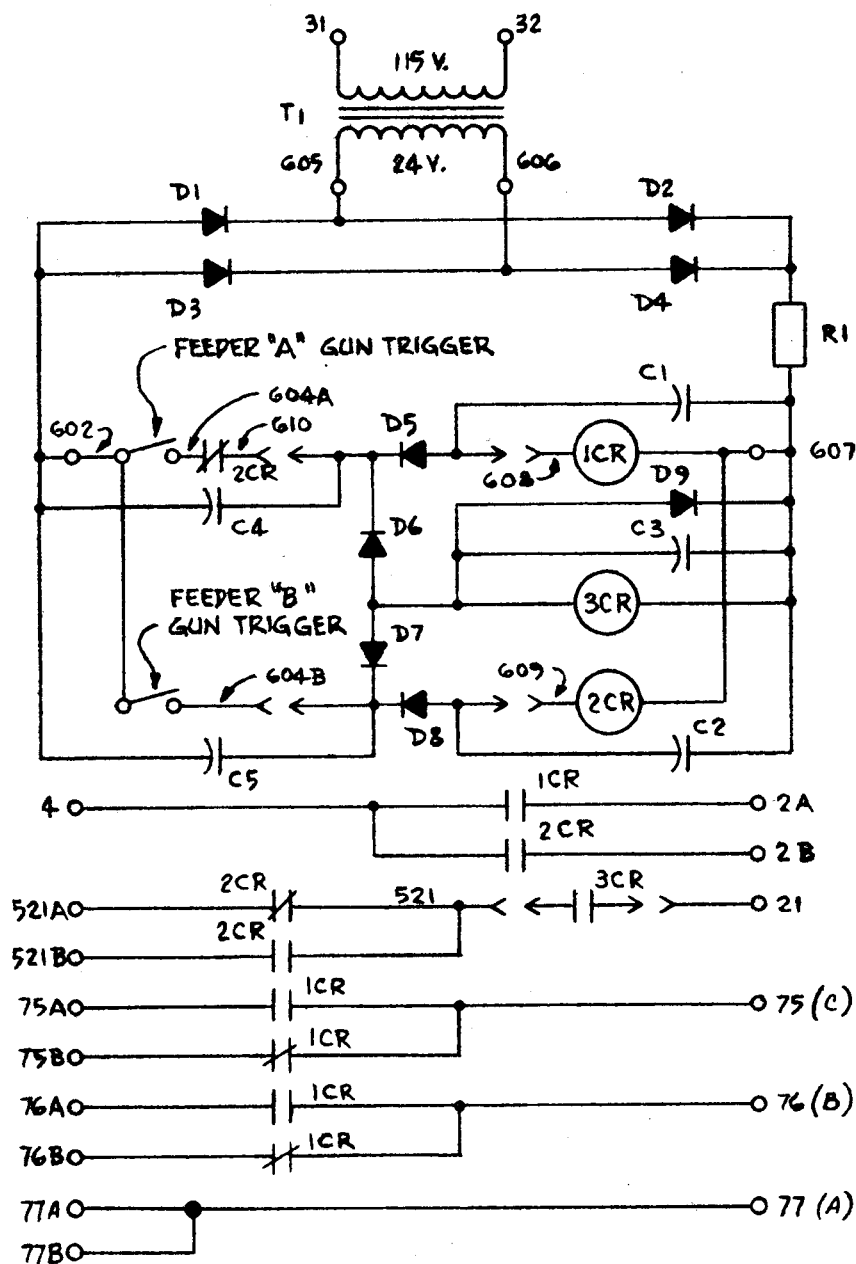
**CONNECTION DIAGRAM: SAE 400 ENGINE WELDERS COMPATIBLE WITH LN-23P AND K2379-1 INTERFACE KIT (FOR CODES 10892 AND ABOVE LN-23P)**



S25869

NOTE: This diagram is for reference only. It may not be accurate for all machines covered by this manual. The specific diagram for a particular code is pasted inside the machine on one of the enclosure panels. If the diagram is illegible, write to the Service Department for a replacement. Give the equipment code number..

LN™-23P WIRING DIAGRAM



**LEGEND**  
 C1, C2 - 150 MFD, 50 V.  
 C3 - .68 MFD, 50 V.  
 C4, C5 - .0047 MFD, 1400 V.

D1 THRU D9 - 1A.

3CR - SPDT, 24 V.D.C.

R1 - 27Ω, 2W.

COMPONENTS NOT ON P.C. BOARD  
 1CR, 2CR - 3PDT, 24V.D.C.

S-17124  
 2-19-82M

NOTE: This diagram is for reference only. It may not be accurate for all machines covered by this manual. The specific diagram for a particular code is pasted inside the machine on one of the enclosure panels. If the diagram is illegible, write to the Service Department for a replacement. Give the equipment code number.

## FIELD CALIBRATION OF K-316 LN™-23P P.C. BOARD

1. Calibration of the P.C. board for correct Wire Speed dial setting is necessary if any of the following changes are made:
  - a. Replacement of the P.C. board.
  - b. Replacement of the motor or motor-gearbox assembly. (Calibration not required if the motor or motor-gearbox assembly is being installed on an LN-22).
2. Load the LN-23P with the type of electrode being used and set the power source as required for the process. Set the OCV of the power source at 22 to 24 volts.
3. Set the "Wire Speed" control to exactly 30 IPM on the dial plate and feed wire. CAUTION: The electrode is electrically "HOT" while feeding. Make certain that the reduced wire speed switch (mounted on the gun handle) is in Position No. 1.
4. Measure the actual wire feed speed with a portable digital wire speed meter or measure the length of wire fed out in 30 seconds and multiply by two to obtain inches per minute. If the latter method is used, while feeding wire, cut the wire off at the tip of nozzle and in the same instant start the 30 second timed interval. At precisely the end of 30 second interval, again while feeding wire, cut the wire at the tip of the nozzle. Measure the cut length of wire and multiply by two. Adjust control board trimmer R14 ("LO") in small increments until the actual wire feed speed obtained is exactly 30 IPM. (Clockwise rotation of trimmer increases wire speed.)
5. Set the "Wire Speed" control to exactly 170 IPM on the dial plate and feed wire.
6. Adjust control board trimmer R10 ("HI") so that the actual wire feed speed is exactly 170 IPM using the procedure in Step #4 above.
7. The setting of the trimmers *must* be done in this order. Do *not* adjust R14 after setting R10.

S-16902  
3-30-84M



			
<b>WARNING</b>	<ul style="list-style-type: none"> <li>Do not touch electrically live parts or electrode with skin or wet clothing.</li> <li>Insulate yourself from work and ground.</li> </ul>	<ul style="list-style-type: none"> <li>Keep flammable materials away.</li> </ul>	<ul style="list-style-type: none"> <li>Wear eye, ear and body protection.</li> </ul>
Spanish <b>AVISO DE PRECAUCION</b>	<ul style="list-style-type: none"> <li>No toque las partes o los electrodos bajo carga con la piel o ropa mojada.</li> <li>Aíslese del trabajo y de la tierra.</li> </ul>	<ul style="list-style-type: none"> <li>Mantenga el material combustible fuera del área de trabajo.</li> </ul>	<ul style="list-style-type: none"> <li>Protéjase los ojos, los oídos y el cuerpo.</li> </ul>
French <b>ATTENTION</b>	<ul style="list-style-type: none"> <li>Ne laissez ni la peau ni des vêtements mouillés entrer en contact avec des pièces sous tension.</li> <li>Isolez-vous du travail et de la terre.</li> </ul>	<ul style="list-style-type: none"> <li>Gardez à l'écart de tout matériel inflammable.</li> </ul>	<ul style="list-style-type: none"> <li>Protégez vos yeux, vos oreilles et votre corps.</li> </ul>
German <b>WARNUNG</b>	<ul style="list-style-type: none"> <li>Berühren Sie keine stromführenden Teile oder Elektroden mit Ihrem Körper oder feuchter Kleidung!</li> <li>Isolieren Sie sich von den Elektroden und dem Erdboden!</li> </ul>	<ul style="list-style-type: none"> <li>Entfernen Sie brennbares Material!</li> </ul>	<ul style="list-style-type: none"> <li>Tragen Sie Augen-, Ohren- und Körperschutz!</li> </ul>
Portuguese <b>ATENÇÃO</b>	<ul style="list-style-type: none"> <li>Não toque partes elétricas e electrodos com a pele ou roupa molhada.</li> <li>Isole-se da peça e terra.</li> </ul>	<ul style="list-style-type: none"> <li>Mantenha inflamáveis bem guardados.</li> </ul>	<ul style="list-style-type: none"> <li>Use proteção para a vista, ouvido e corpo.</li> </ul>
Japanese <b>注意事項</b>	<ul style="list-style-type: none"> <li>通電中の電気部品、又は溶材にヒブやぬれた布で触れないこと。</li> <li>施工物やアースから身体が絶縁されている様にして下さい。</li> </ul>	<ul style="list-style-type: none"> <li>燃えやすいものの側での溶接作業は絶対にはなりません。</li> </ul>	<ul style="list-style-type: none"> <li>目、耳及び身体に保護具をして下さい。</li> </ul>
Chinese <b>警告</b>	<ul style="list-style-type: none"> <li>皮肤或湿衣物切勿接触带电部件及焊缝。</li> <li>使你自己与地面和工件绝缘。</li> </ul>	<ul style="list-style-type: none"> <li>把一切易燃物品移离工作场所。</li> </ul>	<ul style="list-style-type: none"> <li>佩戴眼、耳及身体劳动保护用具。</li> </ul>
Korean <b>위험</b>	<ul style="list-style-type: none"> <li>전도체나 용접봉을 젖은 헝겍 또는 피부로 절대 접촉치 마십시오.</li> <li>모재와 접지를 접촉치 마십시오.</li> </ul>	<ul style="list-style-type: none"> <li>인화성 물질을 접근시키지 마십시오.</li> </ul>	<ul style="list-style-type: none"> <li>눈, 귀와 몸에 보호장구를 착용하십시오.</li> </ul>
Arabic <b>تحذير</b>	<ul style="list-style-type: none"> <li>لا تلمس الاجزاء التي يسري فيها التيار الكهربائي أو الألكترود بجك الجسم أو بالملابس المبللة بالماء.</li> <li>ضع عازل على جسمك خلال العمل.</li> </ul>	<ul style="list-style-type: none"> <li>ضع المواد القابلة للاشتعال في مكان بعيد.</li> </ul>	<ul style="list-style-type: none"> <li>ضع أدوات وملابس واقية على عينيك وأذنيك وجسمك.</li> </ul>

**READ AND UNDERSTAND THE MANUFACTURER'S INSTRUCTION FOR THIS EQUIPMENT AND THE CONSUMABLES TO BE USED AND FOLLOW YOUR EMPLOYER'S SAFETY PRACTICES.**

**SE RECOMIENDA LEER Y ENTENDER LAS INSTRUCCIONES DEL FABRICANTE PARA EL USO DE ESTE EQUIPO Y LOS CONSUMIBLES QUE VA A UTILIZAR, SIGA LAS MEDIDAS DE SEGURIDAD DE SU SUPERVISOR.**

**LISEZ ET COMPRENEZ LES INSTRUCTIONS DU FABRICANT EN CE QUI REGARDE CET EQUIPMENT ET LES PRODUITS A ETRE EMPLOYES ET SUIVEZ LES PROCEDURES DE SECURITE DE VOTRE EMPLOYEUR.**

**LESEN SIE UND BEFOLGEN SIE DIE BETRIEBSANLEITUNG DER ANLAGE UND DEN ELEKTRODENEINSATZ DES HERSTELLERS. DIE UNFALLVERHÜTUNGSVORSCHRIFTEN DES ARBEITGEBERS SIND EBENFALLS ZU BEACHTEN.**

			
<ul style="list-style-type: none"> <li>● Keep your head out of fumes.</li> <li>● Use ventilation or exhaust to remove fumes from breathing zone.</li> </ul>	<ul style="list-style-type: none"> <li>● Turn power off before servicing.</li> </ul>	<ul style="list-style-type: none"> <li>● Do not operate with panel open or guards off.</li> </ul>	<b>WARNING</b>
<ul style="list-style-type: none"> <li>● Los humos fuera de la zona de respiración.</li> <li>● Mantenga la cabeza fuera de los humos. Utilice ventilación o aspiración para gases.</li> </ul>	<ul style="list-style-type: none"> <li>● Desconectar el cable de alimentación de poder de la máquina antes de iniciar cualquier servicio.</li> </ul>	<ul style="list-style-type: none"> <li>● No operar con panel abierto o guardas quitadas.</li> </ul>	Spanish <b>AVISO DE PRECAUCION</b>
<ul style="list-style-type: none"> <li>● Gardez la tête à l'écart des fumées.</li> <li>● Utilisez un ventilateur ou un aspirateur pour ôter les fumées des zones de travail.</li> </ul>	<ul style="list-style-type: none"> <li>● Débranchez le courant avant l'entretien.</li> </ul>	<ul style="list-style-type: none"> <li>● N'opérez pas avec les panneaux ouverts ou avec les dispositifs de protection enlevés.</li> </ul>	French <b>ATTENTION</b>
<ul style="list-style-type: none"> <li>● Vermeiden Sie das Einatmen von Schweißrauch!</li> <li>● Sorgen Sie für gute Be- und Entlüftung des Arbeitsplatzes!</li> </ul>	<ul style="list-style-type: none"> <li>● Strom vor Wartungsarbeiten abschalten! (Netzstrom völlig öffnen; Maschine anhalten!)</li> </ul>	<ul style="list-style-type: none"> <li>● Anlage nie ohne Schutzgehäuse oder Innenschutzverkleidung in Betrieb setzen!</li> </ul>	German <b>WARNUNG</b>
<ul style="list-style-type: none"> <li>● Mantenha seu rosto da fumaça.</li> <li>● Use ventilação e exaustão para remover fumo da zona respiratória.</li> </ul>	<ul style="list-style-type: none"> <li>● Não opere com as tampas removidas.</li> <li>● Desligue a corrente antes de fazer serviço.</li> <li>● Não toque as partes elétricas nuas.</li> </ul>	<ul style="list-style-type: none"> <li>● Mantenha-se afastado das partes moventes.</li> <li>● Não opere com os painéis abertos ou guardas removidas.</li> </ul>	Portuguese <b>ATENÇÃO</b>
<ul style="list-style-type: none"> <li>● ヒュームから頭を離すようにして下さい。</li> <li>● 換気や排煙に十分留意して下さい。</li> </ul>	<ul style="list-style-type: none"> <li>● メンテナンス・サービスに取りかかる際には、まず電源スイッチを必ず切ってください。</li> </ul>	<ul style="list-style-type: none"> <li>● パネルやカバーを取り外したまま機械操作をしないで下さい。</li> </ul>	Japanese <b>注意事項</b>
<ul style="list-style-type: none"> <li>● 頭部遠離煙霧。</li> <li>● 在呼吸區使用通風或排風器除煙。</li> </ul>	<ul style="list-style-type: none"> <li>● 維修前切斷電源。</li> </ul>	<ul style="list-style-type: none"> <li>● 儀表板打開或沒有安全罩時不準作業。</li> </ul>	Chinese <b>警告</b>
<ul style="list-style-type: none"> <li>● 얼굴로부터 용접가스를 멀리하십시오.</li> <li>● 호흡지역으로부터 용접가스를 제거하기 위해 가스제거기나 통풍기를 사용하십시오.</li> </ul>	<ul style="list-style-type: none"> <li>● 보수전에 전원을 차단하십시오.</li> </ul>	<ul style="list-style-type: none"> <li>● 관널이 열린 상태로 작동치 마십시오.</li> </ul>	Korean <b>위험</b>
<ul style="list-style-type: none"> <li>● ابعء رأسك بعيداً عن الدخان.</li> <li>● استعمل التهوية أو جهاز ضغط الدخان للخارج لكي تبعد الدخان عن المنطقة التي تتنفس فيها.</li> </ul>	<ul style="list-style-type: none"> <li>● اقطع التيار الكهربائي قبل القيام بأية صيانة.</li> </ul>	<ul style="list-style-type: none"> <li>● لا تشغيل هذا الجهاز اذا كانت الاعطية الحديدية الواقية ليست عليه.</li> </ul>	Arabic <b>تحذير</b>

**LEIA E COMPREENDA AS INSTRUÇÕES DO FABRICANTE PARA ESTE EQUIPAMENTO E AS PARTES DE USO, E SIGA AS PRÁTICAS DE SEGURANÇA DO EMPREGADOR.**

使う機械や溶材のメーカーの指示書をよく読み、まず理解して下さい。そして貴社の安全規定に従って下さい。

請詳細閱讀並理解製造廠提供的說明以及應該使用的銀焊材料，並請遵守貴方的有閣勞動保護規定。

이 제품에 동봉된 작업지침서를 숙지하시고 귀사의 작업자 안전수칙을 준수하시기 바랍니다.

اقرأ بتمعن وأفهم تعليمات المصنع المنتج لهذه المعدات والمواد قبل استعمالها واتبع تعليمات الوقاية لصاحب العمل.



• World's Leader in Welding and Cutting Products •

• Sales and Service through Subsidiaries and Distributors Worldwide •

Cleveland, Ohio 44117-1199 U.S.A. TEL: 216.481.8100 FAX: 216.486.1751 WEB SITE: [www.lincolnelectric.com](http://www.lincolnelectric.com)

Download from [Www.Somanuals.com](http://www.Somanuals.com). All Manuals Search And Download.

## Free Manuals Download Website

<http://myh66.com>

<http://usermanuals.us>

<http://www.somanuals.com>

<http://www.4manuals.cc>

<http://www.manual-lib.com>

<http://www.404manual.com>

<http://www.luxmanual.com>

<http://aubethermostatmanual.com>

Golf course search by state

<http://golfingnear.com>

Email search by domain

<http://emailbydomain.com>

Auto manuals search

<http://auto.somanuals.com>

TV manuals search

<http://tv.somanuals.com>