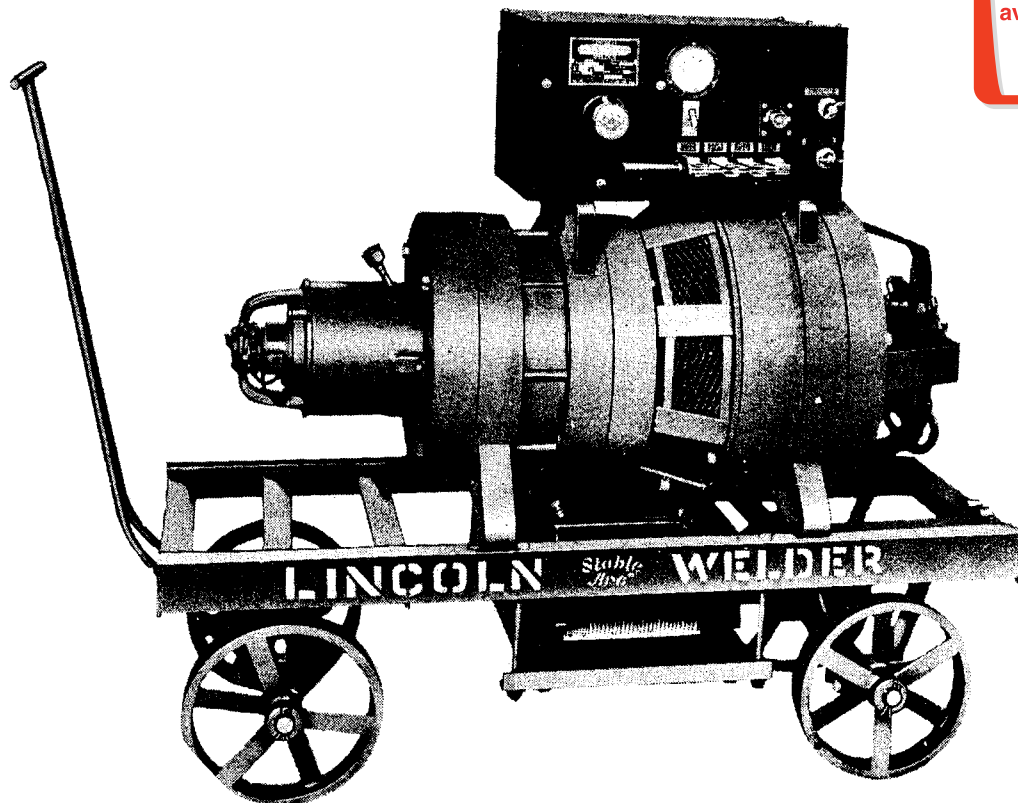


PARTS LIST

"STABLE-ARC" WELDER

This manual covers equipment which is obsolete and no longer in production by The Lincoln Electric Co. Specifications and availability of optional features may have changed.

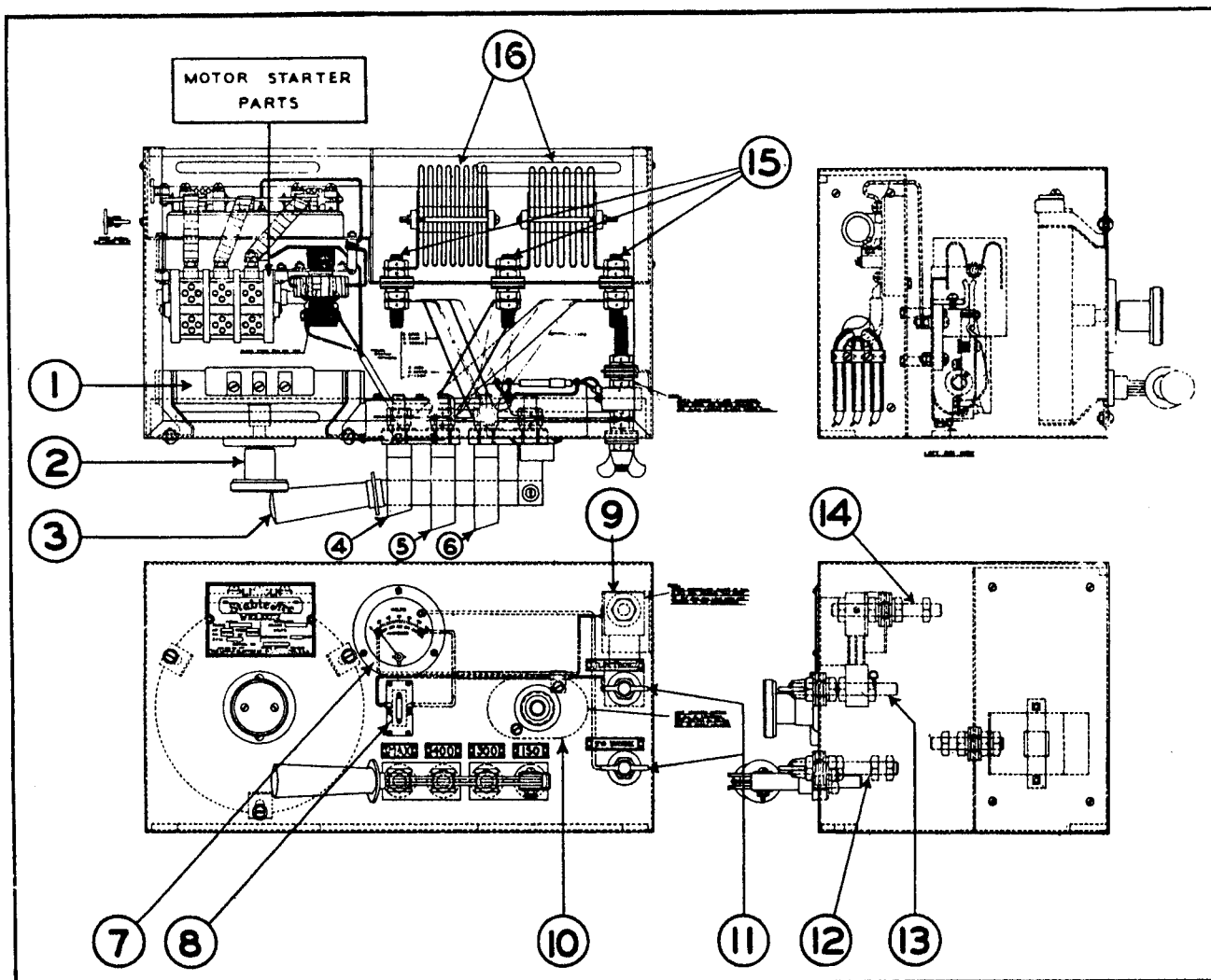


THE LINCOLN ELECTRIC COMPANY

The World's Largest Manufacturer of Arc Welding Equipment

Cleveland 17, Ohio

CONTROL PANEL



- | | |
|--|---|
| 1 Rheostat | 11 Wing Nuts |
| 2 Rheostat Handle | 12 Ground Stud, assembled with nuts & washers |
| 3 Diverter Switch Blade & Handle | 13 Electrode Stud, assembled with nuts & washers |
| 4 Diverter Switch Receptacle, 4th step | 14 Shunt Stud, assembled with nuts & washers |
| 5 Diverter Switch Receptacle, 3rd step | 15 Diverter Grid Studs, assembled with nuts & washers |
| 6 Diverter Switch Receptacle, 2nd step | 16 Diverter Grid Assembly |
| 3, 4, 5, 6 Diverter Switch Complete | |
| 7 Voltameter | |
| 8 Voltameter Switch | |
| 9 Voltameter Shunt | |
| 10 Push Button | |

Motor Starter Parts - See IM-100 and order from view showing type XL starter parts.

CONTROL PANEL

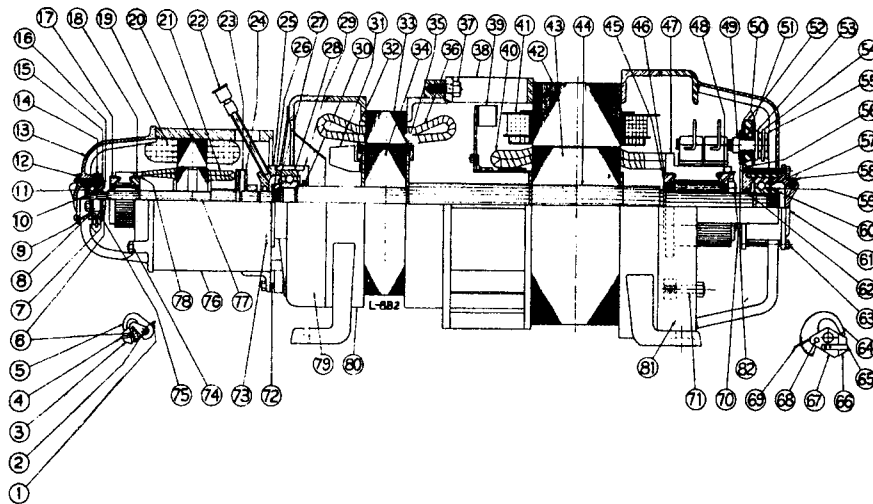
Item	Description	Part No.
1-2	Rheostat	
	Diverter Switch - Complete	
3	Diverter Switch - Blade & Handle	
4-5-6	Diverter Switch Receptacles, Each	
7-8-9	Voltmeter, Switch, Shunt	
10	Push Button	M-3904-1
11	Wing Nuts	T-3960
12	Ground Stud Assembly	T-5815
13	Electrode Stud Assembly	T-5815
14	Shunt Stud Assembly	T-5815

SWITCHES (Main Line)

Ampere Rating	Part No. Switch Complete
100	M-1563
200	M-1563
300	M-1563
400	M-1565

MOTOR GENERATOR

A.C. Motor Driven Welders

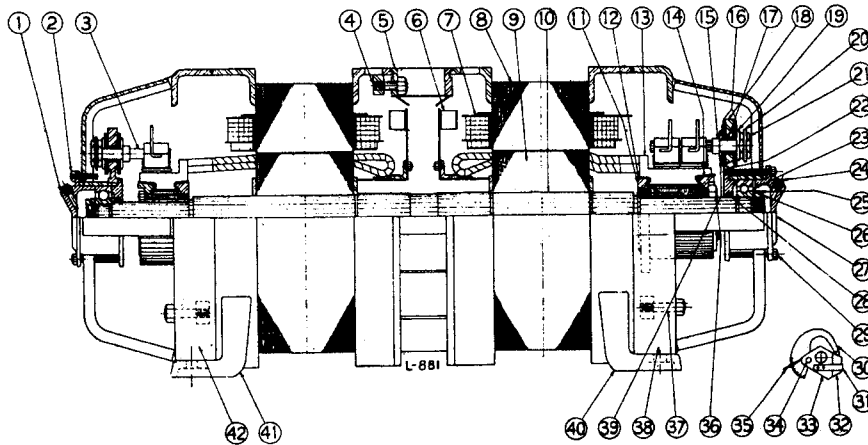


- | | | |
|--------------------------|------------------------|--------------------------|
| 1 Brush Holder Spring | 30 Felt Washer | 55 Hex Nuts |
| 2 Finger Stud | 31 Blower Paddle | 56 Dust Cap - Inner |
| 3 Brush | 32 Rotor Ring | 57 Ball Bearing |
| 4 Brush retainer | 33 Stator Lamination | 58 Grease Plug |
| 5 Finger | 34 Rotor Lamination | 59 Lock Nut Washer |
| 6 Brush Holder | 35 Rotor Rods | 60 Lock Nut |
| 7 Fibre Washers | 36 Stator Coil | 61 Dust Cap - Outer |
| 8 Brush Holder Washer | 37 Connecting Ring | 62 Felt Washer |
| 9 Fibre Tube | Cap Screw | 63 Dust Cap Bolt |
| 10 End Washer | 38 Generator Frame | 64 Finger |
| 11 Ball Bearing | 39 Blower | 65 Brush Retainer |
| 12 Dust Cap - Outer | 40 Armature Coil | 66 Brush |
| 13 Exciter Bracket | 41 Field Coils * | 67 Brush Holder |
| 14 Rocker | 42 Field Lamination | 68 Finger Stud |
| 15 Dust Cap - Inner | (Main Pole | 69 Brush Holder Spring |
| 16 Felt Washer | (Inter Pole | 70 Commutator Bolts |
| 17 Commutator Cap - | 43 Armature Lamination | 71 Bracket Ring Bolt |
| Front End | 44 Shaft | 72 Exciter Frame Bolt |
| 18 Commutator Cap - | 45 Commutator Cap - | 73 Dust Cap Bolt |
| Rear End | Rear End | 74 Exciter Bracket Bolt |
| 19 Field Coils | 46 Mica Ring | 75 Exciter Dust Cap Bolt |
| 20 Poles | 47 Commutator Bar | 76 Exciter Frame |
| 21 Armature Coils | 48 Commutator Cap - | 77 Exciter Shaft |
| 22 Grease Cup and Tube | Front End | 78 Commutator Mica |
| 23 Coupling Driving Disc | 49 Brush Holder Stud | Ring |
| 24 Coupling | 50 Fibre Washers | 79 Motor Bracket |
| 25 Dust Cap - Outer | 51 Fibre Tube | 80 Motor Frame |
| 26 Lock Nut | 52 Rocker | 81 Generator Bracket |
| 27 Lock Nut Washer | 53 Stud Washer | 82 Stud Washer |
| 28 Ball Bearing | 54 Cross Connection | |
| 29 Dust Cap - Inner | Lead | |

* Note: Specify whether Main or Interpole

MOTOR GENERATOR

D.C. Motor Driven Welders

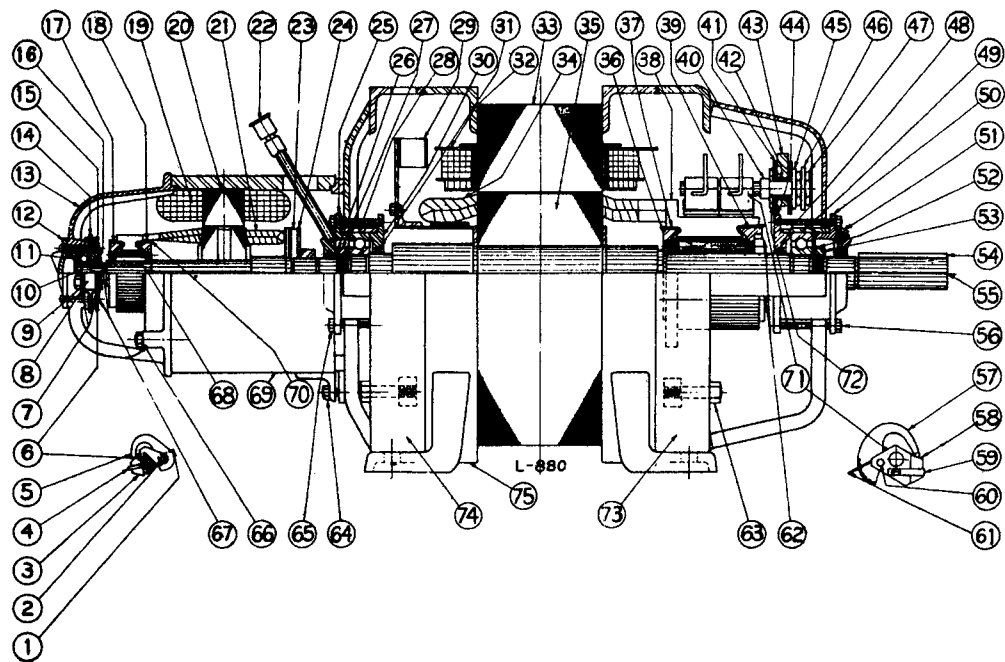


- | | |
|--|-------------------------|
| 1 Dust Cap - Outer | 22 Dust Cap - Inner |
| 2 Dust Cap Bolt | 23 Ball Bearing |
| 3 Brush Holder Stud | 24 Grease Plug |
| 4 Connecting Ring Bolt | 25 Lock Nut Washer |
| 5 Connecting Ring | 26 Lock Nut |
| 6 Blower | 27 Dust Cap - Outer |
| 7 Field Coils * | 28 Felt Washer |
| 8 Field Lamination (Main Pole
(Inter Pole | 29 Dust Cap Bolt |
| 9 Armature Lamination | 30 Finger |
| 10 Shaft | 31 Brush Retainer |
| 11 Commutator Cap - Rear End | 32 Brush |
| 12 Mica Ring | 33 Brush Holder |
| 13 Commutator Bar | 34 Finger Stud |
| 14 Commutator Cap - Front End | 35 Brush Holder Spring |
| 15 Brush Holder Stud | 36 Commutator Bolt |
| 16 Fibre Washers | 37 Bracket Ring Bolt |
| 17 Fibre Tube | 38 Bracket - Welder End |
| 18 Rocker | 39 Stud Washer - Inner |
| 19 Stud Washer | 40 Generator Frame |
| 20 Cross Connection Lead | 41 Motor Frame |
| 21 Hex Nuts | 42 Bracket - Motor End |

* When ordering parts specify whether motor or generator.
Field Coils - Main or Interpole.

GENERATOR

Belt Driven Welders



- | | | |
|--------------------------|------------------------|-------------------------|
| 1 Brush Holder Spring | 27 Lock Nut Washer | 50 Dust Cap - Outer |
| 2 Finger Stud | 28 Ball Bearing | 51 Grease Plug |
| 3 Brush | 29 Blower | 52 Lock Nut Washer |
| 4 Brush Retainer | 30 Dust Cap - Inner | 53 Lock Nut |
| 5 Finger | 31 Felt Washer | 54 Key |
| 6 Brush Holder | 32 Field Coils * | 55 Shaft |
| 7 Fibre Washers | 33 Field Lamination - | 56 Dust Cap Bolts |
| 8 Brush Holder Washer | (Main Pole | 57 Finger |
| 9 Fibre Tube | Inter Pole | 58 Brush |
| 10 Exciter Shaft | 34 Armature Coils | 59 Brush Retainer |
| 11 Ball Bearing | 35 Armature Lamination | 60 Finger Stud |
| 12 Dust Cap - Outer | 36 Commutator Cap - | 61 Brush Holder Spring |
| 13 Exciter Bracket | Rear End | 62 Commutator Bolts |
| 14 Rocker | 37 Mica Ring | 63 Bracket Ring Bolt |
| 15 Dust Cap - Inner | 38 Commutator Bar | 64 Exciter Frame Bolt |
| 16 Felt Washer | 39 Commutator Cap - | 65 Dust Cap Bolt |
| 17 Commutator Cap - | Front End | 66 Exciter Bracket Bolt |
| 18 Commutator Cap - | 40 Brush Holder Stud | 67 Exciter Dust Cap |
| 19 Field Coils, Exciter | 41 Fibre Washers | Bolt |
| 20 Poles | 42 Fibre Tube | 68 End Washer |
| 21 Armature Coils | 43 Rocker | 69 Exciter Frame |
| 22 Grease Cup | 44 Dust Cap - Inner | 70 Mica Ring |
| 23 Coupling Driving Disc | 45 Stud Washer | 71 Brush Holder |
| 24 Coupling | 46 Cross Connection | 72 Stud Washer - Inner |
| 25 Dust Cap - Outer | Lead | 73 Bracket - Drive End |
| 26 Lock Nut | 47 Hex Nuts | 74 Bracket |
| | 48 Felt Washer | 75 Frame |
| | 49 Ball Bearing | |

* Note: When ordering Field Coils specify whether Interpole or Main Pole.

SERVICE

The Lincoln Electric Company has Authorized Field Service Shops in all industrial centers in the United States, Canada, Cuba, Hawaii and Alaska. These shops stock GENUINE Lincoln Replacement Parts and have Factory Trained men to service your welder. They also offer Preventive Service and Welder Rental to "Keep Them Welding". The Lincoln FSS Exchange Plans, extended only through the FSS give you factory built and guaranteed STATORS, ARMATURES and other parts at material savings over rewinding.

HOW TO ORDER REPLACEMENT PARTS

In ordering replacement parts, give the following information from the nameplate - serial number, code number and name and model of welding machine. If possible give part name and number. Parts should be ordered from The Lincoln Electric Co., its branch offices, or the nearest Authorized Field Service Shop. (The "Lincoln Service Directory" listing these shops geographically is available on request.) All Authorized Field Service Shops and branch offices can quote current prices for these replacement parts.

-- BUY ONLY GENUINE LINCOLN REPLACEMENT PARTS --

WARRANTY GUARANTEE

The Lincoln Electric Company, the Seller, warrants all new equipment, except engines and accessories thereof, against defects in workmanship and material for a period of one year from date of shipment, provided the equipment has been properly cared for and operated under normal conditions. Engines and engine accessories are warranted free from defects for a period of ninety days from the date of shipment.

If the Buyer gives the Seller written notice of any defects in equipment or electrode within any period of warranty and the Seller's inspection confirms the existence of such defects, then the Seller shall correct the defect or defects, at its option, either by repair or replacement F.O.B. its own factory or other place as designated by the Seller.

No expense, liability or responsibility will be assumed by the Seller for repairs made outside of the Seller's factory without written authority from the Seller.

The Seller shall not be liable for any consequential damages in case of any failure to meet the conditions of any warranty. The liability of the Seller arising out of the supplying of said equipment or electrode or its use by the Buyer, whether on warranty or otherwise, shall not in any case exceed the cost of correcting defects in the equipment or replacing defective electrode in accordance with the above guarantee. Upon the expiration of any period of warranty, all such liability shall terminate.

The foregoing guarantees and warranties are exclusive and there are no other guarantees or warranties either expressed or implied.

THE LINCOLN ELECTRIC COMPANY

"World's Largest Manufacturer of Arc Welding Equipment and Electrodes"

CLEVELAND 17, OHIO

Branch Offices, Field Service Shops, and Distributing Agencies in All Principal Cities

LINCOLN ELECTRIC CO., (Australia) Pty., Ltd., Padstow, N. S. W.

LINCOLN ELECTRIC CO., of Canada, Ltd., Leaside, Toronto 12, Canada

LA SOUDURE ELECTRIQUE LINCOLN, Grand Quevilly, Seine-Maritime, France

Export Representatives

THE ARMCO INTERNATIONAL CORPORATION, Middletown, Ohio, U.S.A.

(Supersedes 3401 pg. 1, 3402 pg. 1, 3403 pg. 1, 3405 pg. 9, 3405 pg. 10)

Mar. '59 1M

Litho. in U.S.A.

Free Manuals Download Website

<http://myh66.com>

<http://usermanuals.us>

<http://www.somanuals.com>

<http://www.4manuals.cc>

<http://www.manual-lib.com>

<http://www.404manual.com>

<http://www.luxmanual.com>

<http://aubethermostatmanual.com>

Golf course search by state

<http://golfingnear.com>

Email search by domain

<http://emailbydomain.com>

Auto manuals search

<http://auto.somanuals.com>

TV manuals search

<http://tv.somanuals.com>