

LINDY®

COMPUTER CONNECTION TECHNOLOGY

Notebook Security Bracket

Installation Guide

English



LINDY No. 40592

www.lindy.com



Introduction

Thank you for purchasing the LINDY Heavy Duty Notebook Security Bracket. This robust security bracket effectively secures your notebook PC to a wooden desk or metal shelf.

Its high visibility design is ideal for use in schools, offices, libraries, shops and other public display environments.

Packing List

- 2 x Adjustable arms
- Desktop bracket with base plate
- Locking section
- Heavy duty lock & 2 keys
- Key ring
- 1m foam
- 4 x Nuts
- 4 x Bolts
- Spanner

Requirements for Installation

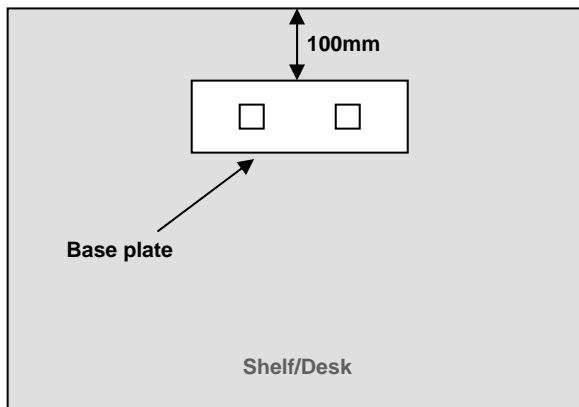
- Tape measure
- An electric drill with an 8mm bit suitable for wood or metal use (depending on installation)

Installation

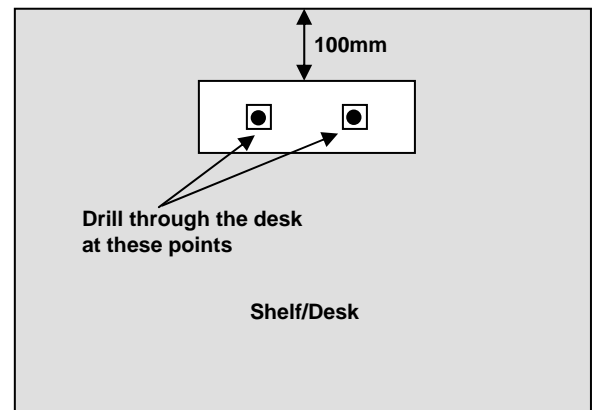
Important! This bracket will accommodate notebooks with the following width dimensions - Minimum width: 30cm; Maximum width: 50cm

When installing the bracket, make sure the desk is at 90 degrees to the wall and not on a sloped surface. For steel shelving or desks use the small bolts to secure the base plate and use the larger bolts to secure the arms together. For a wooden shelf or desk, use the larger bolts to secure the base plate and the smaller bolts to secure the arms together.

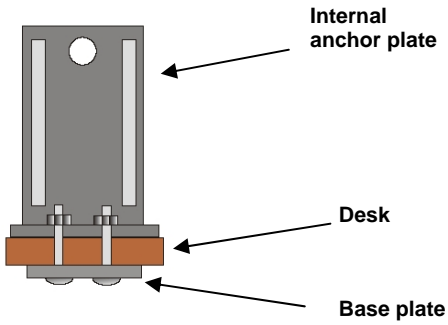
1. Place the base plate 100mm from the rear of the desk. Make sure you can get the heavy duty lock into the desktop bracket and that the notebook does not overhang the desk.



2. Once the base plate has been positioned, mark two holes through the bolt apertures. Drill through the desk at the marked positions using an 8mm drill bit.



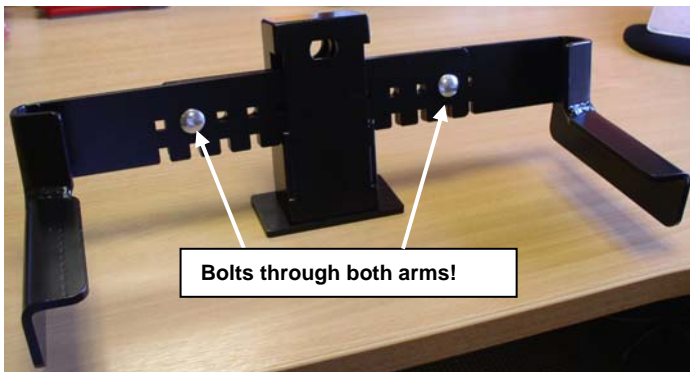
- From underneath the desk, push two bolts through the base plate and secure to the internal anchor plate. Place the nuts on the bolts and tighten using the supplied spanner.



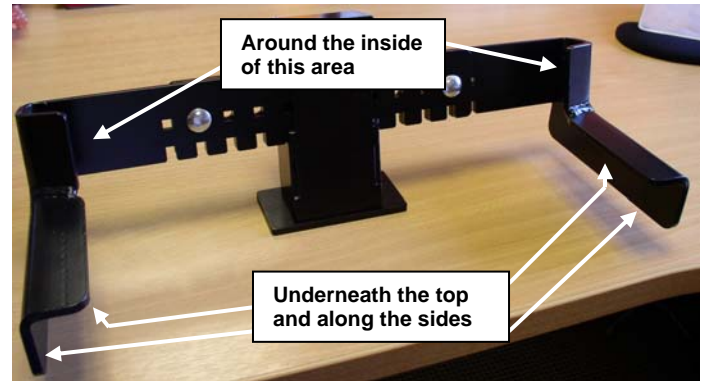
- Place the external cover over the internal anchor plate.



- Insert each arm into either side of the desktop bracket. Ensure that the arm with the square holes is at the front and the arm with the round holes is at the rear. Adjust the width of the arms according to the size of your notebook. Put the 2 spare bolts into the outermost points ensuring they go through both arms.



- 1m of protective foam is included. To protect your notebook from being damaged or scratched by the metalwork, this should be added to the arms BEFORE proceeding with final assembly. Please apply the foam to all areas the notebook comes into contact with.



- Once you have inserted your laptop into the bracket, put the locking bolt through the eye hole and lock into place.



Once the notebook is in place you can insert the locking bolt.
(Notebook removed for illustration purposes)

Free Manuals Download Website

<http://myh66.com>

<http://usermanuals.us>

<http://www.somanuals.com>

<http://www.4manuals.cc>

<http://www.manual-lib.com>

<http://www.404manual.com>

<http://www.luxmanual.com>

<http://aubethermostatmanual.com>

Golf course search by state

<http://golfingnear.com>

Email search by domain

<http://emailbydomain.com>

Auto manuals search

<http://auto.somanuals.com>

TV manuals search

<http://tv.somanuals.com>