

LINDY®

CONNECTION PERFECTION

8 Port HDMI 1.3b Wall Mount Splitter

User Manual

English



LINDY No: 38040



For Home and Office Use
Tested to Comply with FCC Standards

www.lindy.com

User Manual

Introduction

Thank you for purchasing the LINDY 8 Port HDMI 1.3b Splitter. This device is a high performance HDMI amplifier and splitter which allows a single HDMI source to be displayed simultaneously on up to 8 different displays.

Package Contents

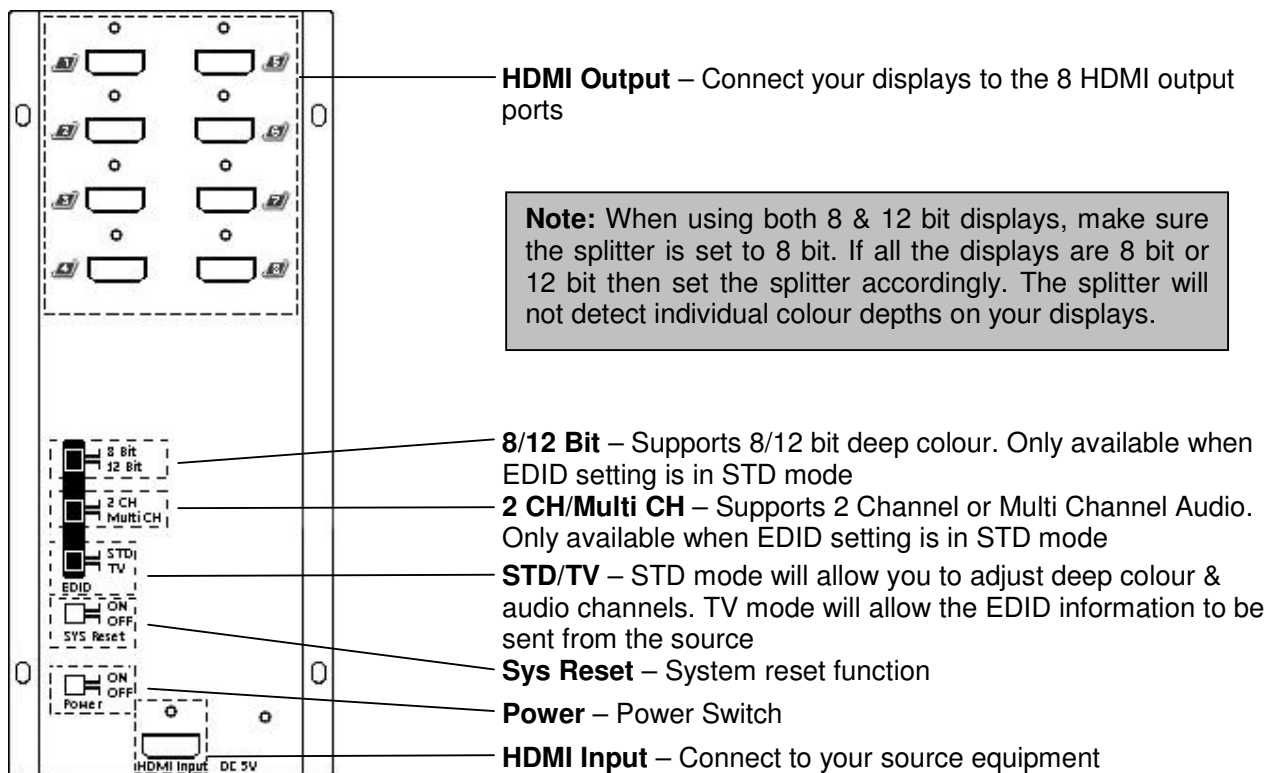
- LINDY HDMI 1.3b Splitter
- 5V DC Multi Country PSU
- This manual

Features

- HDMI 1.3b, HDCP 1.1 and DVI 1.0 compliant
- Deep colour up to 8 & 12 bit, 1080p (24/60Hz)
- Splits a single HDMI source without any signal loss for use with up to 8 displays
- Supports multi-channel audio:
 - LPCM 7.1CH
 - Dolby TrueHD
 - Dolby Digital Plus
 - DTS-HD Master
- When used with computers, supports DVI-D resolutions up to UXGA (1600 x 1200)
- Supports xvYCC and CEC bypass
- Built in EDID simulator and HDCP keyset allows each output to work independently when connecting to an HDMI display
- Supports both DVI source and display devices when using DVI/HDMI adapter cables
- The input/output distances can be up to 15m with 8 bit colour depth and 10m with 12 bit colour depth (when using LINDY Premium Gold Cables)

Connections & Operation

Make sure all devices are switched off before connecting any equipment! Once all the connections have been made, switch on the devices in this order: displays, HDMI Splitter, source device.



Notes on using DVI equipped devices: To connect devices equipped with DVI connectors, you can use either modular DVI/HDMI adapters or DVI/HDMI adapter cables. Be aware that DVI is a 'video only' interface; audio signals are not supported when using DVI source devices. Also, please note that DVI equipped displays must support HDCP signal decoding to display HDCP protected HDMI signals.

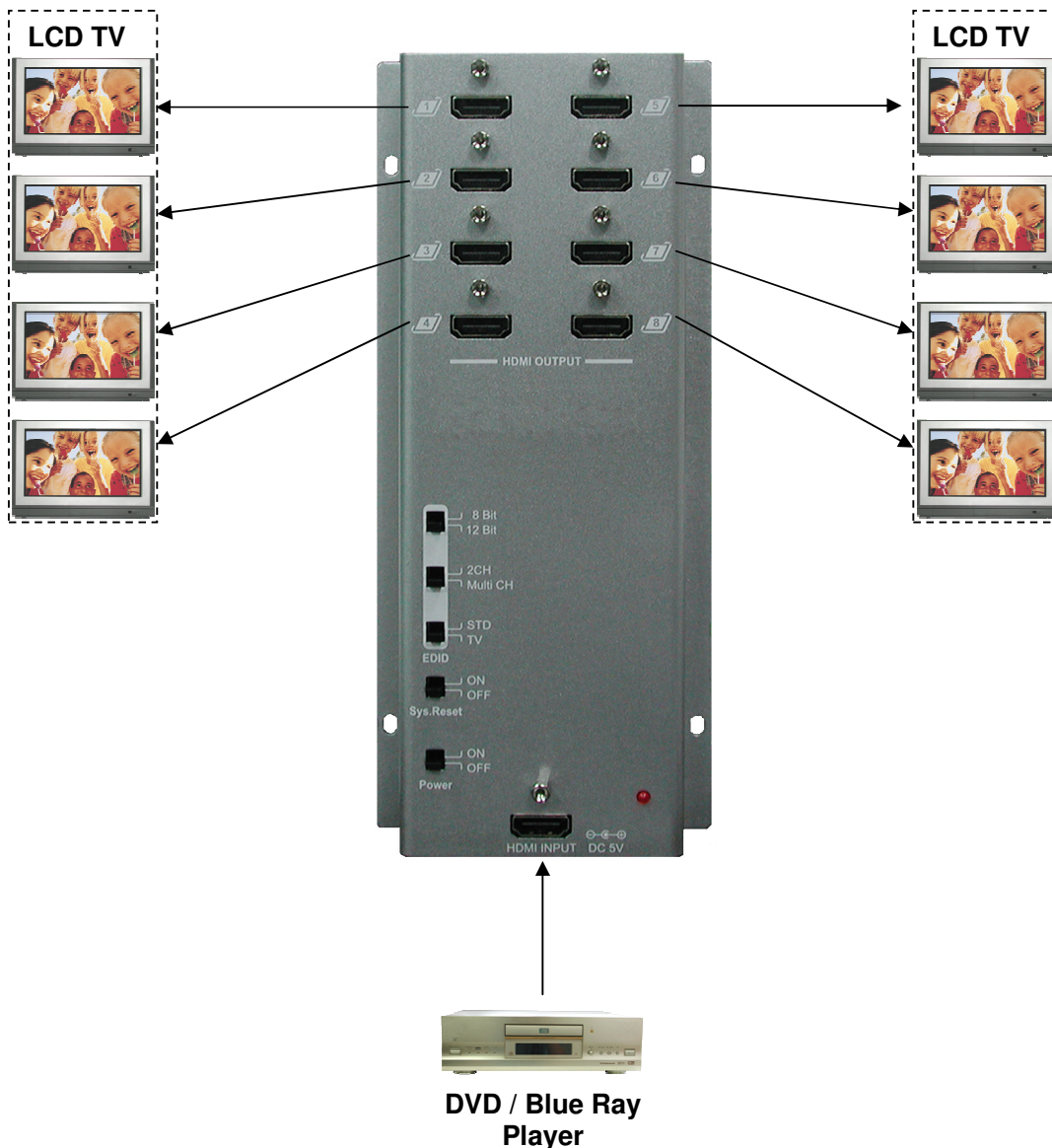
Bottom Connection

Please ensure you use the supplied PSU. Failure to do so could result in damage to the unit and your warranty to be voided.



5V DC – Plug the supplied PSU in to the unit and connect to a wall outlet. The red LED on the front of the unit will illuminate red when the power is on

Typical Example



Certifications, Recycling Information

CE Certification

This equipment complies with the requirements relating to electromagnetic compatibility, IEC 61000-3-2:2009, IEC 61000-3-3:2008, the essential protection requirement of Council Directive 2004/108/EC on the approximation of the laws of the Member States relating to electromagnetic compatibility.

FCC Certifications

This equipment has been tested and found to comply with the limits for a Class B digital device, pursuant to part 15 of the FCC Rules. These limits are designed to provide reasonable protection against harmful interference in a residential installation.

This equipment generates, uses, and can radiate radio frequency energy and, if not installed and used in accordance with the instructions, may cause harmful interference to radio communications. However, there is no guarantee that interference will not occur in a particular installation. If this equipment does cause harmful interference to radio or television reception, which can be determined by turning the equipment off and on, the user is encouraged to try to correct the interference by one or more of the following measures:

- Reorient or relocate the receiving antenna
- Increase the separation between the equipment and receiver
- Connect the equipment into an outlet on a circuit different from that to which the receiver is connected
- Consult the dealer or an experienced technician for help

Recycling Information



WEEE (Waste of Electrical and Electronic Equipment), Recycling of Electronic Products

United Kingdom

In 2006 the European Union introduced regulations (WEEE) for the collection and recycling of all waste electrical and electronic equipment. It is no longer allowable to simply throw away electrical and electronic equipment. Instead, these products must enter the recycling process.

Each individual EU member state has implemented the WEEE regulations into national law in slightly different ways. Please follow your national law when you want to dispose of any electrical or electronic products. More details can be obtained from your national WEEE recycling agency.

Germany

Die Europäische Union hat mit der WEEE Richtlinie umfassende Regelungen für die Verschrottung und das Recycling von Elektro- und Elektronikprodukten geschaffen. Diese wurden von der Bundesregierung im Elektro- und Elektronikgerätegesetz – ElektroG in deutsches Recht umgesetzt. Dieses Gesetz verbietet vom 24. März 2006 an das Entsorgen von entsprechenden, auch alten, Elektro- und Elektronikgeräten über die Hausmülltonne! Diese Geräte müssen den lokalen Sammelsystemen bzw. örtlichen Sammelstellen zugeführt werden! Dort werden sie kostenlos entgegen genommen. Die Kosten für den weiteren Recyclingprozess übernimmt die Gesamtheit der Gerätehersteller.

France

En 2006, l'union Européenne a introduit la nouvelle réglementation (DEEE) pour le recyclage de tout équipement électrique et électronique.

Chaque Etat membre de l' Union Européenne a mis en application la nouvelle réglementation DEEE de manières légèrement différentes. Veuillez suivre le décret d'application correspondant à l'élimination des déchets électriques ou électroniques de votre pays.

Italy

Nel 2006 l'unione europea ha introdotto regolamentazioni (WEEE) per la raccolta e il riciclo di apparecchi elettrici ed elettronici. Non è più consentito semplicemente gettare queste apparecchiature, devono essere riciclate. Ogni stato membro dell' EU ha tramutato le direttive WEEE in leggi statali in varie misure. Fare riferimento alle leggi del proprio Stato quando si dispone di un apparecchio elettrico o elettronico.

Per ulteriori dettagli fare riferimento alla direttiva WEEE sul riciclaggio del proprio Stato.

LINDY No 38040

1st Edition, October 2009



For Home and Office Use
Tested to Comply with FCC Standards

www.lindy.com

Free Manuals Download Website

<http://myh66.com>

<http://usermanuals.us>

<http://www.somanuals.com>

<http://www.4manuals.cc>

<http://www.manual-lib.com>

<http://www.404manual.com>

<http://www.luxmanual.com>

<http://aubethermostatmanual.com>

Golf course search by state

<http://golfingnear.com>

Email search by domain

<http://emailbydomain.com>

Auto manuals search

<http://auto.somanuals.com>

TV manuals search

<http://tv.somanuals.com>