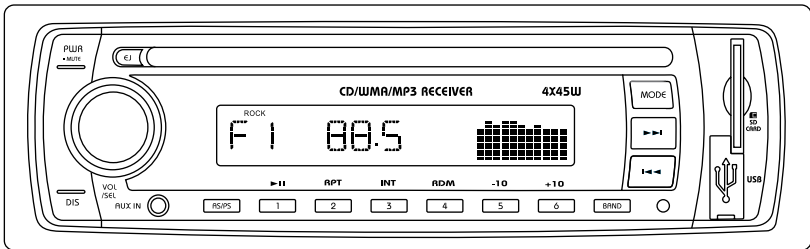


# Operations and Installation Manual



## **M3300CD** AM / FM Receiver with CD Player

**LINEAR  
SERIES**

A Registered Trademark of Magnadyne Corporation

## Introduction

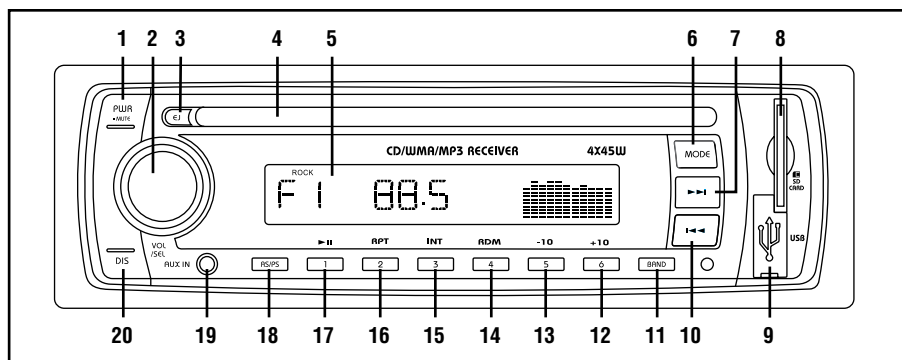
Your new M3300CD in-dash entertainment system has been designed to give you many years of listening pleasure. Take a moment to read through this manual and become familiar with the operations and features of this outstanding product.

It is advisable to keep this manual in your vehicle so it is readily available for reference. Be sure to fill out and send in your warranty card to ensure that you receive the full benefits of warranty repair in the unlikely event that your system will need service. We are confident that you will thoroughly enjoy your new mobile entertainment system.

## Caution

- FCC REGULATIONS STATE THAT ANY UNAUTHORIZED CHANGES OR MODIFICATIONS TO THIS EQUIPMENT MAY VOID THE USER'S AUTHORITY TO OPERATE IT.
- TO REDUCE THE RISK OF FIRE OR ELECTRIC SHOCK, DO NOT EXPOSE THIS EQUIPMENT TO RAIN OR MOISTURE.
- THIS DEVICE IS INTENDED FOR CONTINUOUS OPERATION.
- TO REDUCE THE RISK OF FIRE OR ELECTRIC SHOCK AND ANNOYING INTERFERENCE, USE ONLY THE RECOMMENDED ACCESSORIES.

## Location and Function of Controls at a Glance



### 1. Power and Mute Button (PWR / MUTE):

**Power:** Press any button to turn on the unit. Press and hold the **PWR** button to switch the unit off.

**Mute:** With the unit on press the **PWR/MUTE** button to turn the audio off. Press again to restore the audio.

### 2. Volume/Select Knob (VOL/SEL)

**Volume:** Rotate **VOL** knob to adjust the volume level.

**Select:** Press the **VOL** knob to enter the sound characteristics menu. The first item on the menu will be volume, each press of the **VOL** knob will change the menu item as follows: VOLUME > BASS > TREBLE > BALANCE > FADER.

### 3. Eject Button (EJ):

Ejects the disc from the CD slot.

### 4. CD Slot:

Insert a CD into the slot with label facing up.

### 5. Display Area:

Displays: radio, clock, disc, SD card and USB functions.

## Location and Function of Controls at a Glance (continued)

6. **Mode Button (MODE):** Press the **MODE** button to change the operating mode as follows:  
RADIO > CD\* > USB\* > SD\* > AUX > RADIO.  
\*Available only when there is media inserted into Disc slot, SD card slot or USB slot.
7. **Track Up Button (▶▶|):** Adjusts the radio frequency, changes tracks and sets the clock.
8. **SD Card Slot:** Insert a SD card with the notch in the card facing up, “SD” will appear in the display.
9. **USB Input:** Plug in your USB device, “USB” will appear in the display.
10. **Track Down Button (|◀◀):** Adjusts the radio frequency, changes tracks and sets the clock.
11. **Radio Band Button (BAND):** Selects the desired radio band in the following order: F1, F2, F3, A1 and A2.
12. **Multi-Function Button (6, +10):**  
**Radio:** Recalls a memorized radio station, and programs a radio station into memory.  
**CD, SD or USB:** Press to skip up 10 tracks.
13. **Multi-Function Button (5, -10):**  
**Radio:** Recalls a memorized radio station, and programs a radio station into memory.  
**CD, SD or USB:** Press to skip down 10 tracks.
14. **Multi-Function Button (4, RDM):**  
**Radio:** Recalls a memorized radio station, and programs a radio station into memory.  
**CD, SD or USB:** Press to randomly play tracks.
15. **Multi-Function Button (3, INT):**  
**Radio:** Recalls a memorized radio station, and programs a radio station into memory.  
**CD, SD or USB:** Press to activate the intro function which will play the beginning of every track for 10 seconds.
16. **Multi-Function Button (2, RPT):**  
**Radio:** Recalls a memorized radio station, and programs a radio station into memory.  
**CD, SD or USB:** Press to repeat the current track. Press again to cancel the repeat function.
17. **Multi-Function Button (1, ▶|):**  
**Radio:** Recalls a memorized radio station, and programs a radio station into memory.  
**CD, SD or USB:** Press to pause the current track. Press again to resume play.
18. **AS/PS Button:** Automatic radio station memory storing and preset radio station scanning.
19. **3.5mm Auxiliary Audio Input Jack:** Plug in a device with a 3.5mm audio input plug.
20. **Display Button:** Press the **DIS** button to toggle through the available display information. In the radio mode, program station name (PS) is the default, if not available the frequency will be displayed.  
Toggle sequence: CT(clock/time)--PTY-- PS (program service, only if there is station)-- Exit Display.

# Radio Operation

## Select a Band

Press the **MODE** button until either F1, F2, F3, A1 or A2 appear in the display. Next press the **BAND** button to select the desired band: F1, F2, F3, A1 or A2.

## Tuning

**Automatic Search Tuning:** Press the ►► or ◀◀ button to move to the next or previous station automatically.

**Manual Tuning:** Press and hold the ►► or ◀◀ button until "MANUAL" appears in the display. Then press and release the ►► or ◀◀ button until desired frequency is selected. The unit will default back to "AUTO" tuning mode after 5 seconds of no button activity.

## Preset Stations

Six numbered preset buttons store and recall stations for each band. Select a band (if needed). Select a station by pressing the ►► or ◀◀ button. Press and hold any of the preset buttons for three seconds to memorize the station. The preset number will appear in the display.

**Recall a Station:** Select a band (if needed). Press one of the six preset buttons to select a stored station.

**Automatic Preset Station Memory Store:** Select a band (if needed). Press and hold the button **AS/PS** button for two seconds. The radio automatically selects six strong stations and stores them in the current band. The new stations replace stations already stored in that band.

**Note:** During Automatic Memory Store, the unit will search and store stations with the strong signals first, and then weaker signal stations until the memories are full.

**Preset Scan:** To scan preset stations stored in the current band press the **AS/PS** button momentarily. The radio pauses for five seconds at each preset station. When the desired station is reached, press the **AS/PS** button again to stop scanning.

## FM Stereo/Mono Reception

For weaker FM stereo stations selecting mono reception usually improves reception. To switch from stereo to mono reception push and hold the **VOL** knob for a few seconds then release. Continue to press the knob until "STEREO" appears in the display. Rotate the **VOL** knob until "MONO" appears in the display. The unit will leave feature programming after 5 seconds of no button activity.

## Local/Distant Reception

To narrow the reception to only local strong station the radio must be switched from distant to local reception. To switch from distant to local reception push and hold the **VOL** knob for a few seconds then release. Continue to press the knob until "DX" appears in the display. Rotate the **VOL** knob until "LOCAL" appears in the display. The unit will leave feature programming after 5 seconds of no button activity.

## RBDS Overview

RBDS (Radio Broadcast System) service availability varies from area to area. If RBDS service is not available in your area, the following services are not available:

**PS:** Program Service Name Broadcast - station name data expressed in alphanumeric characters.

**TP:** Traffic Program Identification - for traffic information broadcasting station.

**TA:** Traffic Announcement Identification - showing traffic information is being transmitted or not.

## TA (Travel Announcement) / TP (Travel Program Identification)

Enable or disable TA mode by pressing and holding the **BAND** button. (Default is Disabled)

1. Long press **BAND** button once to activate the function, press again to turn off the function.
2. When TA function is activated, it will search the station with TA information automatically. If there is not TA information, it will search the station with TP information automatically, if there is no TP information either, it will return to the previous station after searching.
3. When receiving the station with TP information but without TA information, TP icon is on and TA icon keeps blinking; when receiving the station with TP and TA information, both TP and TA icons are on.
4. When playing in another mode and TA information is received, the unit will change to the radio mode automatically. After the TA information is finished, it will return to the previous mode. The **AS/PS**, Preset (1-6), **DIS**, **MODE**, ►►, ◀◀ and **BAND** buttons are locked. Press **BAND** button one to ignore the received TA information, press **BAND** button twice to turn off the function.

## Radio Operation (continued)

### TA Seek / TA Alarm

In TA Alarm mode, the alarm is set off.

1. Press and hold the **VOL** knob for a few seconds then release.
2. Continue to press the knob until "TA ALARM" appears in the display.
3. Rotate the **VOL** knob until "TA SEEK" appears in the display. In TA SEEK mode, the unit will seek for Traffic Announcement program.

### PTY (Program Type)

1. Press and hold **DIS** button to activate the PTY function.
2. Rotate the **VOL** knob to select the PTY type.
3. When the program type you want to search for is displayed, press the **DIS** button to search for the selected program type. Press the **DIS** button again to stop the PTY search.

**Note:** If PTY code is different or not available, LCD blinks with "PTY NONE".

## Sound Controls

### Volume

Rotate the **VOL** knob clockwise to increase the volume and counterclockwise to decrease the volume.

### Sound Characteristics Menu

By pressing the **VOL** knob, the modes will be displayed in the following order: Volume, Bass, Treble, Balance and Fader.

### Bass

Press the **VOL** knob two times. Turn the **VOL** knob clockwise to increase the bass and counterclockwise to decrease the bass.

### Treble

Press the **VOL** knob button three times. Turn the **VOL** knob clockwise to increase the treble and counterclockwise to decrease the treble.

### Balance

Press the **VOL** knob button four times. Turn the **VOL** knob clockwise to increase the balance to the right and counterclockwise to increase the balance to the left.

### Fader

Press the **VOL** knob button five times. Turn the **VOL** knob clockwise to increase the balance to the front speakers and counterclockwise to increase the balance to the rear speakers.

### Equalizer

The M3300CD has pre-programmed audio settings. To switch the equalizer settings push and hold the **VOL** knob for a few seconds then release. One of the following equalizer setting will appear: POP M, ROCK M, DSP OFF, FLAT or CLASSICS. Rotate the **VOL** knob until the desired setting appears in the display. The unit will leave equalizer programing after 5 seconds of no button activity.

**Note:** If the bass or treble is adjusted the equalizer setting will revert to the DSP OFF setting.

### Loud

Enhances high frequency and low frequency sound quality. To switch the loudness push and hold the **VOL** knob for a few seconds then release. Continue to press the knob until "LOUD OFF" appears in the display. Rotate the **VOL** knob until "LOUD ON" appears in the display. The unit will leave feature programing after 5 seconds of no button activity.

### Mute

Press the **PWR/MUTE** button to turn the sound off. Press it again to restore the audio.

### Sub Woofer

Press and hold the **MODE** button to enable or disable the Sub Woofer output. When the Sub Woofer output is enabled, "SW" appears in the display.

## General Operations

### Turning the Unit On

Press any button to turn on the unit. Press and hold **PWR** button to switch the unit off.

### Mode:

Press the **MODE** button to change the operating mode as follows:

RADIO > CD\* > USB\* > SD\* > AUX > TUNER.

\*Available only when there is media inserted into Disc slot, SD card slot or USB slot.

### Setting the Clock

Press the **DIS** button so the clock is displayed. Press the button again and hold for 3 seconds until the time flashes, then release. Then press the **▶▶I** button to adjust the minutes, and press the **I◀◀** button to adjust the hours.

### 12 hr (am/pm) or 24 hr (military) Format

Press and hold the **VOL** knob for a few seconds then release. Continue to press the knob until "12 HOUR" appears in the display. Rotate the **VOL** knob until "24 HOUR" appears in the display. The unit will leave feature programming after 5 seconds of no button activity.

### Display Button

The display feature allows you to see the clock and information for the current operating mode. Each press will change the information displayed.

### Audio Beep

Press and hold the **VOL** knob for a few seconds then release. Continue to press the knob until "BEEP 2ND" appears in the display. Rotate the **VOL** knob to select the desired beep mode:

BEEP 2ND = Beep on Press and Hold

BEEP ALL = When Pressing any Button.

BEEP OFF = No Beep Sound.

The unit will leave feature programming after 5 seconds of no button activity.

### 3.5mm Auxiliary Input Jack

Plug an audio device into this jack. This allows you to listen to an auxiliary audio source (MP3 player, portable cassette player, etc). Connect the proper cable (not supplied with this unit). Press the **MODE** button until "AUX" appears in the display to access the auxiliary device's audio.

**Note:** The M3300CD will not control the auxiliary audio source.

## CD, USB and SD Card Operation

### Loading and Ejecting a CD

Insert a CD into the CD Slot, label side up, and the CD will begin to play.

Press the **EJ** button to stop CD play and eject the CD from the slot.

### Inserting the SD Card or USB Device

Insert the SD card into the SD card slot and insert a USB memory into the USB input. The mode will automatically change to SD or USB mode.

To remove the SD card:

Push in on the SD card until you hear a click, then release the SD card and remove it.

To remove the USB memory:

Pull the USB memory out of the USB input.

**Note:** This unit may not play all SD cards or USB memory devices. The manufacturer of this unit is not responsible for any data loss. We suggest you back-up your data.

### Select Tracks

Press the **▶▶I** or **I◀◀** button for less than a second to move to the next or previous track. The track number appears in the display area.

### Fast Forward and Fast Reverse

Press the **▶▶I** or **I◀◀** button for more than one second to fast forward or fast reverse. CD play starts from when you release the button.

### Pause Play

Press the **1/▶II** button to pause play. Press it again to resume play.

### Repeat the Same Track

Press the **2/RPT** button to continuously repeat the same track. Press it again to stop repeat.

**Note:** After finishing all tracks or all folders the unit restarts playing all tracks for all folders automatically.

### Intro Scan

Press the **3/INT** button to play the first ten seconds of each track. Press it again to stop intro scan and listen to the track.

### Play All Tracks in Random Order

Press the **4/RDM** button to play all tracks in random order. Press it again to stop playing in random order.

### Track Skip Buttons

Press the **5/-10** button to skip down 10 tracks.

Press the **6/+10** button to skip up 10 tracks.

## CD, USB and SD Card Operation (continued)

### File / Folder Search Function

When playing MP3/WMA files from a CD, USB Memory or SD/MMC Card, press **AS/PS** button to enter search mode.

Sequence of search modes:

File Number Search -> File Name Search ->

Folder Search -> Exit search mode.

**Note:** Commercial audio-CD discs only support file number search.

### File Number Search

1. Press **AS/PS** button to enter file number search.
2. "MP3 T\*" is displayed and the \* blinks to show the unit is ready to accept a file number to search for.
3. Rotate the **VOL** knob to input a digit, from 0 to 9, of the track you want to listen to.
4. Press the **VOL** knob to move to the next digit. After completing input, press **BAND/ENT** button to play.

### File Name Search

1. Press **AS/PS** button until an asterisk "\*" blinks on left side of LCD.
2. Rotate the **VOL** knob to input letters (from A to Z) or a number (from 0 to 9) of the file you want to listen to.
3. Press the **VOL** knob to change to the next character.
4. After completing input, press **BAND/ENT** button to play.

**Note:** If there is no file found, the unit will return to initial input ready mode automatically.

### Folder Search

1. To start folder search, press the **AS/PS** button 3 times. The word "ROOT" will be displayed on LCD, then the name of the first folder will be displayed.
2. Rotate the **VOL** knob change the folder.
3. Press the **BAND** button to select the displayed folder.

## Installation Procedures

**Step 1:** The radio chassis is designed to be "Sleeve Mounted" through a opening in the dashboard panel. The required opening size is 182mm (7-3/16") x 52mm (2-1/16"). Cut or enlarged an opening in the dashboard to accommodate the mounting sleeve.

**Step 2:** If you are replacing an existing factory installed radio, an adapter harness might be available for your vehicle to eliminate the need for cutting your factory wiring. Contact Radio Shack or other car stereo installation centers for the availability of a harness for your vehicle.

**Step 3:** Insert the mounting sleeve into the hole in the dashboard. Bend the metal tabs on the sleeve to secure the mounting sleeve to the dashboard.

**Step 4:** Bring all wiring for the connection of the unit (including the antenna) through the center of the mounting sleeve. Connect the wiring as follows:

**Yellow Wire:** Connect this wire to a constant +12 volt power source (a power source that is not controlled by the ignition key).

**Red Wire (with Fuse):** Connect this wire to a switched +12 volt power source (a power source turned on and off by the ignition key).

**Blue Wire:** Connect this wire to the (+) power antenna activation circuit or remote amplifier activation. If no power antenna or amplifier exists, tape-off the end of this wire to prevent shorting out the unit.

**Black Wire:** Connect this wire to the frame of the vehicle (ground). This wire is the chassis grounding wire for the unit.

**White Wire:** Connect this wire to the Left Front Speaker (+) positive terminal or wire.

**White Wire with Black Stripe:** Connect this wire to the Left Front Speaker (-) negative terminal or wire.

**Green Wire with Black Stripe:** Connect this wire to the Left Rear Speaker (-) negative terminal or wire.

**Green Wire:** Connect this wire to the Left Rear Speaker (+) positive terminal or wire.

**Gray Wire:** Connect this wire to the Right Front Speaker (+) positive terminal or wire.

**Gray Wire with Black Stripe:** Connect this wire to the Right Front Speaker (-) negative terminal or wire.

**Purple Wire with Black Stripe:** Connect this wire to the Right Rear Speaker (-) negative terminal or wire.

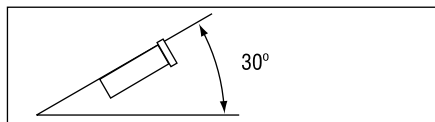
**Purple Wire:** Connect this wire to the Right Rear Speaker (+) positive terminal or wire.

**Brown Cable with Red/White RCA Connectors:** Provides Left and Right Channel audio signal output for input to an additional amplifier.

**Black Cable with Blue RCA Connector:** Provides Sub Woofer audio signal output for input to an additional amplifier.

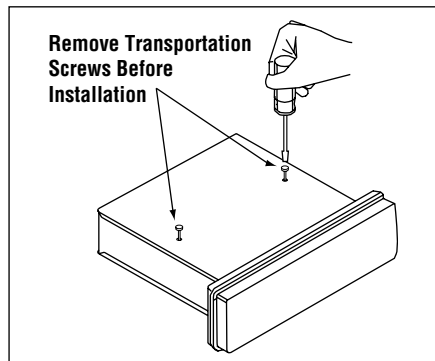
**Note 1:** This unit is designed to connect to (4) four speakers. If the installation only requires (2) two speakers, use the White and Gray wire sets to connect the speakers.

**Note 2:** If installation angle exceeds 30 degrees from horizontal, the unit might not give its optimum performance.



**Note 3:** Avoid installing the unit where it would be subject to high temperature, such as from direct sunlight, or from hot air, from the heater, or where it would be subject to dust, dirt or excessive vibration.

**Remove Transportation Screws:** Before installing the unit, please remove the two screws shown in the illustration below.



### WARNING!

Any wires left unconnected must be taped-off or capped-off to prevent shorting.

**DO NOT** connect speaker ground wires together.

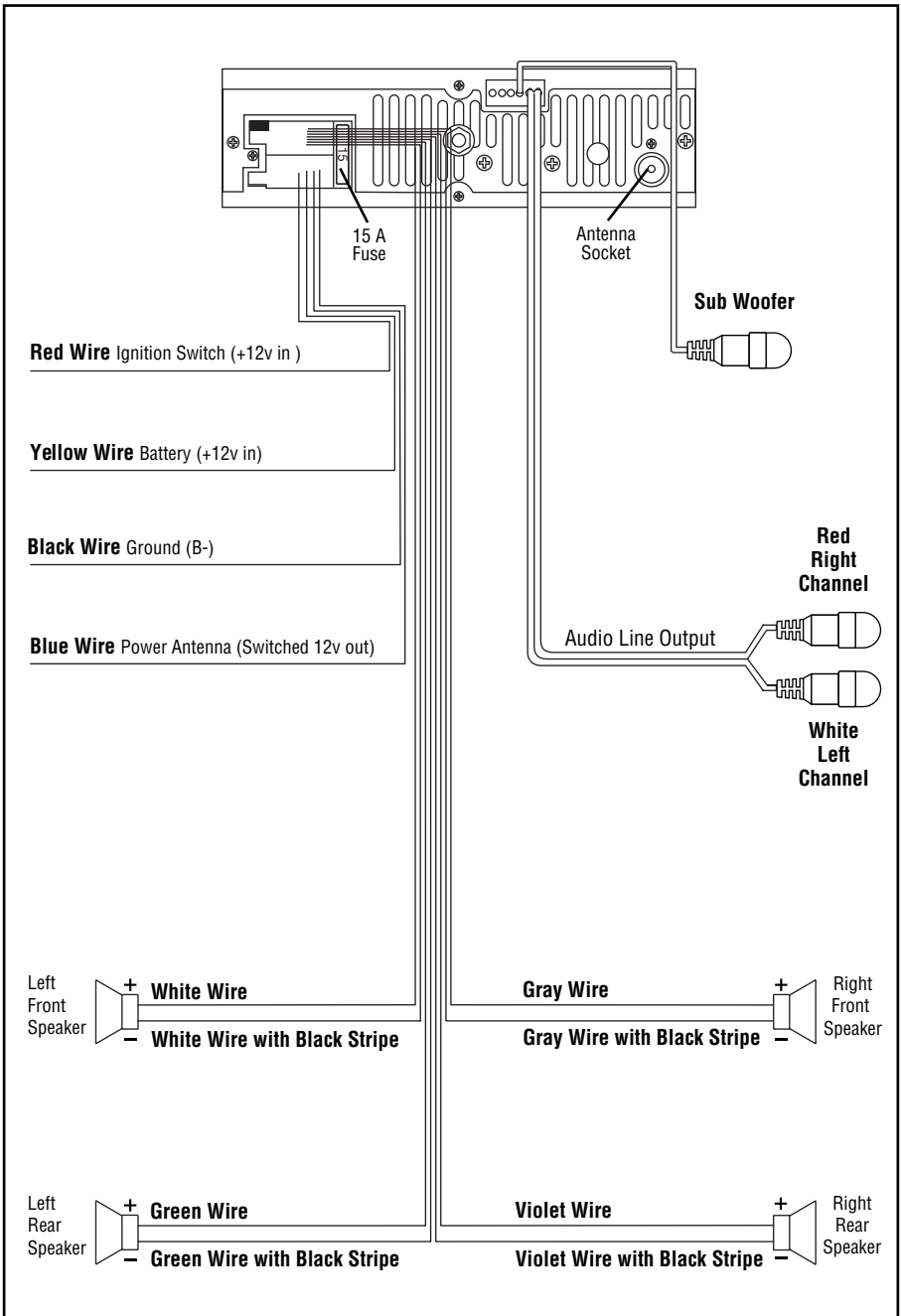
**DO NOT** connect speaker ground wires to the chassis of the vehicle.

**DO NOT** connect front and rear speaker wires together.

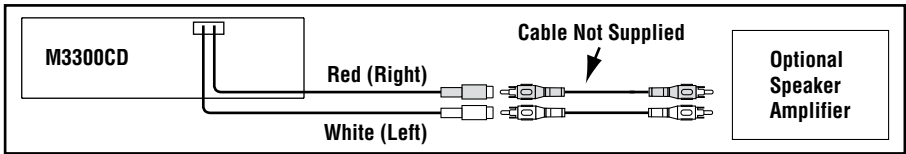
FAILURE TO FOLLOW ANY OF THESE WARNINGS WILL RESULT IN DAMAGE TO THIS UNIT AND VOIDS THE WARRANTY.



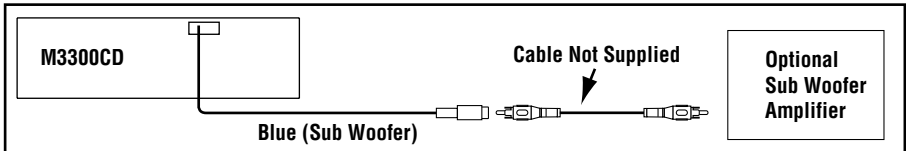
# Wiring Diagram



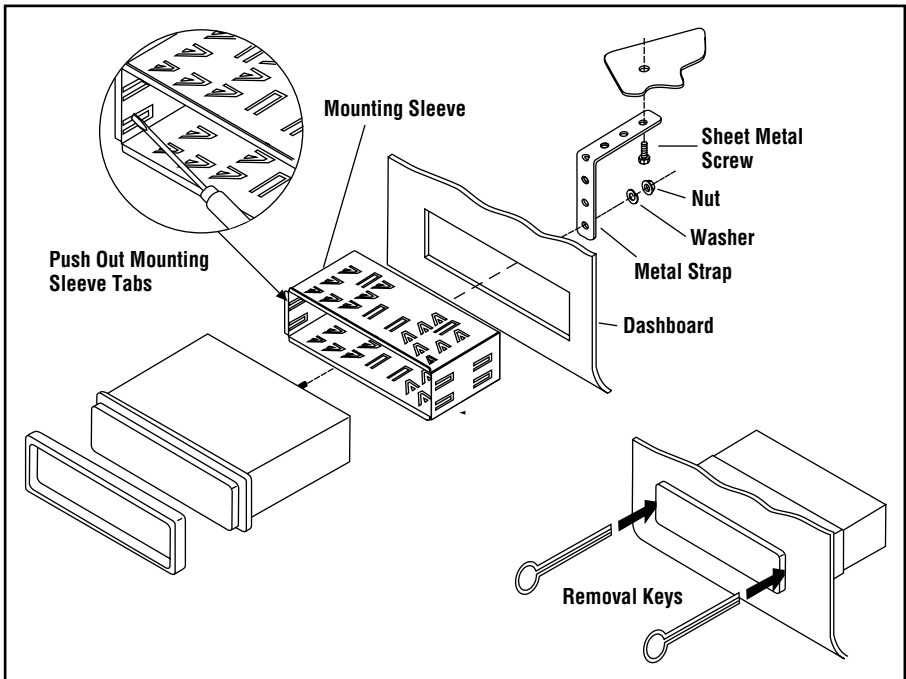
## Audio Line Out Connection



## Sub Woofer Connection



## Final Installation - Method A



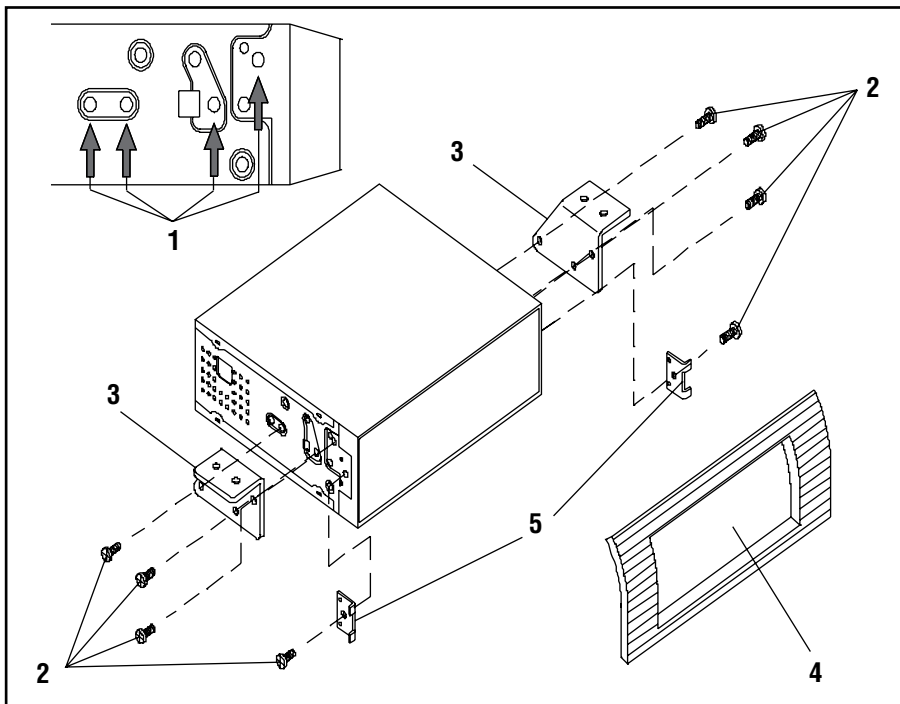
### Installing the Unit

- 1: Insert the sleeve into the dashboard opening and bend the mounting tabs outward to secure it.
- 2: If necessary, attach the mounting strap to the rear of the unit, then attach it with the supplied nut.
- 3: Insert the unit into the sleeve until you hear a click.
- 4: Finally place the trim ring over the unit.

### Removing the Unit

- 1: Remove the trim ring.
- 2: Insert the release keys into the left and right side of the unit.
- 3: Pull the unit out of the dashboard.

## Final Installation - Method B



### Installing the Unit

- 1: Screw holes on the side of the unit.
- 2: Screws. Use wither truss screws (5 x 8mm) or flush surface screws (4 x 8mm), depending on the shape of the screw holes in the bracket.
- 3: Vehicle's factory mounting bracket.
- 4: Dashboard or console.
- 5: Hook (Remove this part).

**Note:** The mounting sleeve, outer trim ring, and the mounting strap are not used for this method of installation.

## Specifications

### CD Player

Signal/Noise Ratio .....	> 60 dB
Frequency Response .....	20 Hz – 20 kHz
Channel Separation.....	> 62 dB

### FM Tuner

Tuner Range .....	87.5 – 107.9 MHz
Usable Sensitivity .....	5 dBuV
Stereo Separation @ 1 kHz.....	28 dB

### AM Tuner

Tuner Range .....	530 – 1710 kHz
Usable Sensitivity .....	30qV

### General

Operating Power .....	12 VDC, Negative Ground
Maximum Power Output.....	4 x 45 Watts
RMS Power .....	4 x 19 Watts
RCA Line Out.....	Low-Level Outputs - 1000mV
Output Impedance ..	Compatible 4-8 Ohm Speakers
Fuses .....	15 amp
Dimensions.....	178 (w) x 178 (d) x 51 (h) mm

*Specifications are subject to change without notice.*

## Warranty

### ONE (1) YEAR LIMITED WARRANTY

Magnadyne Corporation or its authorized agents will within one year from the date of sale to you, repair, replace or refund the retail sales price of said product or any part thereof, at the option of the Magnadyne Corporation or its authorized agents, if said product or part is found defective in materials or workmanship, when properly connected and operating on the correct power requirements designated for the specific product. This warranty and Magnadyne Corporation or its authorized agents obligations hereunder do not apply where the product was; damaged while in the possession of the consumer, subjected to unreasonable or unintended use, not reasonably maintained, utilized in commercial or industrial operations, or serviced by anyone other than Magnadyne Corporation or its authorized agents, or where the warning seal on the product is broken or the power and/or plugs are detached from the unit. Magnadyne Corporation or any of its authorized agents will not assume any labor costs for the removal and reinstallation of any product found to be defective, or the cost of transportation to Magnadyne Corporation or its authorized agents. Such cost are the sole responsibility of the purchaser.

This warranty does not cover the cabinet appearance items or accessories used in connection with this product, or any damage to recording or recording tape, or any damage to the products resulting from improper installation, alteration, accident, misuse, abuse or acts of nature.

MAGNADYNE CORPORATION OR ITS AUTHORIZED AGENTS SHALL NOT BE LIABLE TO ANYONE FOR CONSEQUENTIAL OR INCIDENTAL DAMAGES OR CLAIMS EXCEPT THOSE ACCORDED BY LAW. NO EXPRESSED WARRANTY OR IMPLIED WARRANTY IS GIVEN EXCEPT THOSE SET FORTH HEREIN. NO IMPLIED WARRANTY SHALL EXTEND BEYOND ONE YEAR FROM THE DATE OF SALE.

This warranty extends only to the original purchaser of the product and is not transferable. Some states do not allow limitations on how long an implied warranty lasts, and some states do not allow the exclusion or limitation of incidental or consequential damages, so the above limitations or exclusion may not apply to you. This warranty gives you specific legal rights, and you may have other rights that vary from state to state.

Defective merchandise should be returned to the original point of purchase or secondly, to:

Magnadyne Corporation  
1111 W. Victoria Street  
Compton CA 90220

[www.magnadyne.com](http://www.magnadyne.com)

Return Authorization must be obtained before sending, or merchandise may be refused.

## Free Manuals Download Website

<http://myh66.com>

<http://usermanuals.us>

<http://www.somanuals.com>

<http://www.4manuals.cc>

<http://www.manual-lib.com>

<http://www.404manual.com>

<http://www.luxmanual.com>

<http://aubethermostatmanual.com>

Golf course search by state

<http://golfingnear.com>

Email search by domain

<http://emailbydomain.com>

Auto manuals search

<http://auto.somanuals.com>

TV manuals search

<http://tv.somanuals.com>