

# TECHNICAL MANUAL

## LSI53C810A PCI to SCSI I/O Processor

*Version 2.1*

**March 2001**

**LSI LOGIC®**

---

This document contains proprietary information of LSI Logic Corporation. The information contained herein is not to be used by or disclosed to third parties without the express written permission of an officer of LSI Logic Corporation.

LSI Logic products are not intended for use in life-support appliances, devices, or systems. Use of any LSI Logic product in such applications without written consent of the appropriate LSI Logic officer is prohibited.

Document DB14-000168-00, First Edition (March 2001)

This document describes the LSI Logic LSI53C810A PCI to SCSI I/O Processor and will remain the official reference source for all revisions/releases of this product until rescinded by an update.

**To receive product literature, visit us at <http://www.lsillogic.com>.**

LSI Logic Corporation reserves the right to make changes to any products herein at any time without notice. LSI Logic does not assume any responsibility or liability arising out of the application or use of any product described herein, except as expressly agreed to in writing by LSI Logic; nor does the purchase or use of a product from LSI Logic convey a license under any patent rights, copyrights, trademark rights, or any other of the intellectual property rights of LSI Logic or third parties.

Copyright © 1995–2001 by LSI Logic Corporation. All rights reserved.

#### TRADEMARK ACKNOWLEDGMENT

The LSI Logic logo design, TolerANT, SDMS, and SCRIPTS are registered trademarks or trademarks of LSI Logic Corporation. All other brand and product names may be trademarks of their respective companies.

# Preface

---

This book is the primary reference and technical manual for the LSI Logic LSI53C810A PCI to SCSI I/O Processor. It contains a complete functional description for the product and includes complete physical and electrical specifications.

---

## Audience

This manual provides reference information on the LSI53C810A PCI to SCSI I/O processor. It is intended for system designers and programmers who are using this device to design a SCSI port for PCI-based personal computers, workstations, or embedded applications.

---

## Organization

This document has the following chapters and appendix:

- [Chapter 1, General Description](#), includes general information about the LSI53C810A and other members of the LSI53C8XX family of PCI to SCSI I/O processors.
- [Chapter 2, Functional Description](#), describes the main functional areas of the chip in more detail, including the interfaces to the SCSI bus.
- [Chapter 3, PCI Functional Description](#), describes the chip's connection to the PCI bus, including the PCI commands and configuration registers supported.
- [Chapter 4, Signal Descriptions](#), contains the pin diagrams and definitions of each signal.
- [Chapter 5, Operating Registers](#), describes each bit in the operating registers, organized by address.

- [Chapter 6, Instruction Set of the I/O Processor](#), defines all of the SCSI SCRIPTS instructions that are supported by the LSI53C810A.
  - [Chapter 7, Electrical Characteristics](#), contains the electrical characteristics and AC timings for the chip.
  - [Appendix A, Register Summary](#), is a register summary.
- 

## Related Publications

For background please contact:

### **ANSI**

11 West 42nd Street  
New York, NY 10036  
(212) 642-4900

Ask for document number X3.131-199X (SCSI-2)

### **Global Engineering Documents**

15 Inverness Way East  
Englewood, CO 80112  
(800) 854-7179 or (303) 397-7956 (outside U.S.) FAX (303) 397-2740  
Ask for document number X3.131-1994 (SCSI-2) or X3.253  
*(SCSI-3 Parallel Interface)*

### **ENDL Publications**

14426 Black Walnut Court  
Saratoga, CA 95070  
(408) 867-6642

Document names: *SCSI Bench Reference*, *SCSI Encyclopedia*,  
*SCSI Tutor*

### **Prentice Hall**

113 Sylvan Avenue  
Englewood Cliffs, NJ 07632  
(800) 947-7700

Ask for document number ISBN 0-13-796855-8, *SCSI: Understanding the Small Computer System Interface*

### **LSI Logic World Wide Web Home Page**

[www.lsil.com](http://www.lsil.com)

## PCI Special Interest Group

2575 N. E. Katherine

Hillsboro, OR 97214

(800) 433-5177; (503) 693-6232 (International); FAX (503) 693-8344

*SCSI SCRIPTS™ Processors Programming Guide*, Order Number S14044.A

---

### Conventions Used in This Manual

The word *assert* means to drive a signal true or active. The word *deassert* means to drive a signal false or inactive.

Hexadecimal numbers are indicated by the prefix "0x" —for example, 0x32CF. Binary numbers are indicated by the prefix "0b" —for example, 0b0011.0010.1100.1111.

---

### Revision Record

Revision	Date	Remarks
1.0	6/95	First version.
2.0	7/96	Revised technical manual.
2.1	3/01	All product names changed from SYM to LSI.



# Contents

---

<b>Chapter 1</b>	<b>General Description</b>	
1.1	TolerANT <sup>®</sup> Technology	1-2
1.2	LSI53C810A Benefits Summary	1-3
1.2.1	SCSI Performance	1-3
1.2.2	PCI Performance	1-4
1.2.3	Integration	1-4
1.2.4	Ease of Use	1-4
1.2.5	Flexibility	1-5
1.2.6	Reliability	1-5
1.2.7	Testability	1-6

---

<b>Chapter 2</b>	<b>Functional Description</b>	
2.1	SCSI Core	2-1
2.1.1	DMA Core	2-2
2.2	SCRIPTS Processor	2-2
2.2.1	SDMS Software: The Total SCSI Solution	2-3
2.3	Prefetching SCRIPTS Instructions	2-3
2.3.1	Opcode Fetch Burst Capability	2-4
2.4	PCI Cache Mode	2-4
2.4.1	Load and Store Instructions	2-5
2.4.2	3.3 V/5 V PCI Interface	2-5
2.4.3	Loopback Mode	2-5
2.5	Parity Options	2-5
2.5.1	DMA FIFO	2-8
2.6	SCSI Bus Interface	2-11
2.6.1	Terminator Networks	2-11
2.6.2	Select/Reselect During Selection/Reselection	2-11
2.6.3	Synchronous Operation	2-13

2.7	Interrupt Handling	2-15
2.7.1	Polling and Hardware Interrupts	2-15

---

<b>Chapter 3</b>	<b>PCI Functional Description</b>	
3.1	PCI Addressing	3-1
3.1.1	Configuration Space	3-1
3.1.2	PCI Bus Commands and Functions Supported	3-2
3.2	PCI Cache Mode	3-3
3.2.1	Support for PCI Cache Line Size Register	3-3
3.2.2	Selection of Cache Line Size	3-4
3.2.3	Alignment	3-4
3.2.4	Memory Read Multiple Command	3-7
3.2.5	Unsupported PCI Commands	3-8
3.3	Configuration Registers	3-9

---

<b>Chapter 4</b>	<b>Signal Descriptions</b>	
4.1	PCI Bus Interface Signals	4-5
4.1.1	System Signals	4-5
4.1.2	Address and Data Signals	4-6
4.1.3	Interface Control Signals	4-7
4.1.4	Arbitration Signals	4-8
4.1.5	Error Reporting Signals	4-8
4.2	SCSI Bus Interface Signals	4-9
4.2.1	SCSI Bus Interface Signals	4-9
4.2.2	Additional Interface Signals	4-10

---

<b>Chapter 5</b>	<b>Operating Registers</b>	
------------------	----------------------------	--

---

<b>Chapter 6</b>	<b>Instruction Set of the I/O Processor</b>	
6.1	Low Level Register Interface Mode	6-1
6.2	SCSI SCRIPTS	6-2
6.2.1	Sample Operation	6-3
6.3	Block Move Instructions	6-5
6.3.1	First Dword	6-6
6.3.2	Second Dword	6-12
6.4	I/O Instruction	6-13



6.4.1	First Dword	6-13
6.4.2	Second Dword	6-22
6.5	Read/Write Instructions	6-23
6.5.1	First Dword	6-23
6.5.2	Second Dword	6-23
6.5.3	Read-Modify-Write Cycles	6-23
6.5.4	Move To/From SFBR Cycles	6-24
6.6	Transfer Control Instructions	6-27
6.6.1	First Dword	6-27
6.6.2	Second Dword	6-35
6.7	Memory Move Instructions	6-36
6.7.1	First Dword	6-38
6.7.2	Second Dword	6-38
6.7.3	Third Dword	6-38
6.7.4	Read/Write System Memory from a SCRIPTS Instruction	6-39
6.8	Load and Store Instructions	6-39
6.8.1	First Dword	6-40
6.8.2	Second Dword	6-41

---

## Chapter 7

### Electrical Characteristics

7.1	DC Characteristics	7-1
7.2	TolerANT Technology	7-6
7.3	AC Characteristics	7-10
7.4	PCI Interface Timing Diagrams	7-12
7.4.1	Target Timing	7-13
7.4.2	Initiator Timing	7-17
7.5	PCI Interface Timing	7-26
7.6	SCSI Timings	7-27
7.7	Package Drawings	7-33

---

## Appendix A

### Register Summary

---

### Index

---

### Customer Feedback

---

## Figures

1.1	LSI53C810A System Diagram	1-7
1.2	LSI53C810A Chip Block Diagram	1-8
2.1	DMA FIFO Sections	2-8
2.2	LSI53C810A Host Interface Data Paths	2-10
2.3	Active or Regulated Termination	2-12
2.4	Determining the Synchronous Transfer Rate	2-15
4.1	LSI53C810A Pin Diagram	4-2
4.2	Functional Signal Grouping	4-4
5.1	Register Address Map	5-2
6.1	SCRIPTS Overview	6-5
6.2	Block Move Instruction Register	6-8
6.3	I/O Instruction Register	6-16
6.4	Read/Write Register Instruction	6-25
6.5	Transfer Control Instruction	6-30
6.6	Memory to Memory Move Instruction	6-37
6.7	Load and Store Instruction Format	6-42
7.1	Rise and Fall Time Test Conditions	7-8
7.2	SCSI Input Filtering	7-8
7.3	Hysteresis of SCSI Receiver	7-8
7.4	Input Current as a Function of Input Voltage	7-9
7.5	Output Current as a Function of Output Voltage	7-9
7.6	Clock Timing	7-10
7.7	Reset Input	7-11
7.8	Interrupt Output Waveforms	7-11
7.9	PCI Configuration Register Read	7-13
7.10	PCI Configuration Register Write	7-14
7.11	Target Read	7-15
7.12	Target Write	7-16
7.13	OpCode Fetch, Nonburst	7-17
7.14	Burst Opcode Fetch	7-18
7.15	Back-to-Back Read	7-19
7.16	Back-to-Back Write	7-20
7.17	Burst Read	7-22
7.18	Burst Write	7-24
7.19	Initiator Asynchronous Send	7-27
7.20	Initiator Asynchronous Receive	7-28

7.21	Target Asynchronous Send	7-29
7.22	Target Asynchronous Receive	7-30
7.23	Initiator and Target Synchronous Transfers	7-30
7.24	100 LD PQFP (UD) Mechanical Drawing (Sheet 1 of 2)	7-34

---

## Tables

2.1	Bits Used for Parity Control and Observation	2-6
2.2	SCSI Parity Control	2-7
2.3	SCSI Parity Errors and Interrupts	2-7
3.1	PCI Bus Commands and Encoding Types	3-9
3.2	PCI Configuration Register Map	3-10
4.1	Power and Ground Signals	4-3
4.2	System Signals	4-5
4.3	Address and Data Signals	4-6
4.4	Interface Control Signals	4-7
4.5	Arbitration Signals	4-8
4.6	Error Reporting Signals	4-8
4.7	SCSI Bus Interface Signals	4-9
4.8	Additional Interface Signals	4-10
5.1	Synchronous Clock Conversion Factor	5-10
5.2	Asynchronous Clock Conversion Factor	5-11
5.3	Examples of Synchronous Transfer Periods and Rates for SCSI-1	5-13
5.4	Examples of Synchronous Transfer Periods and Rates for Fast SCSI	5-14
5.5	SCSI Synchronous Offset Values	5-15
6.1	SCRIPTS Instructions	6-3
6.2	Read/Write Instructions	6-26
7.1	Absolute Maximum Stress Ratings	7-2
7.2	Operating Conditions	7-2
7.3	SCSI Signals—SD[7:0]/, SDP/, SREQ/, SACK/	7-3
7.4	SCSI Signals—MSG, SI_O/, SC_D/, SATN/, SBSY/, SSEL/, SRST/	7-3
7.5	Input Signals—CLK, SCLK, GNT/, IDSEL, RST/, TESTIN	7-3
7.6	Capacitance	7-4
7.7	Output Signals—MAC/_TESTOUT, REQ/	7-4
7.8	Output Signal—IRQ/	7-4
7.9	Output Signal—SERR/	7-5

7.10	Bidirectional Signals—AD[31:0], C_BE/[3:0], FRAME/, IRDY/, TRDY/, DEVSEL/, STOP/, PERR/, PAR/	7-5
7.11	Bidirectional Signals—GPIO0_FETCH/, GPIO1_MASTER/	7-6
7.12	TolerANT Technology Electrical Characteristics	7-7
7.13	Clock Timing	7-10
7.14	Reset Input Timing	7-11
7.15	Interrupt Output	7-11
7.16	PCI Timing	7-26
7.17	Initiator Asynchronous Send (5 Mbytes/s)	7-27
7.18	Initiator Asynchronous Receive (5 Mbytes/s)	7-28
7.19	Target Asynchronous Send (5 Mbytes/s)	7-29
7.20	Target Asynchronous Receive (5 Mbytes/s)	7-30
7.21	SCSI-1 Transfers (SE, 5.0 Mbytes/s)	7-31
7.22	SCSI-2 Fast Transfers (10.0 Mbytes/s (8-Bit Transfers), 40 MHz Clock)	7-31
7.23	SCSI-2 Fast Transfers (10.0 Mbytes/s (8-Bit Transfers), 50 MHz Clock)	7-32
A.1	Configuration Registers	A-1
A.2	SCSI Registers	A-2

# Chapter 1

## General Description

---

Chapter 1 is divided into the following sections:

- [Section 1.1, "TolerANT® Technology"](#)
- [Section 1.2, "LSI53C810A Benefits Summary"](#)

The LSI53C810A PCI to SCSI I/O processor brings high-performance I/O solutions to host adapter, workstation, and general computer designs, making it easy to add SCSI to any PCI system.

The LSI53C810A is a pin-for-pin replacement for the LSI53C810 PCI to SCSI I/O processor. It performs fast SCSI transfers in Single-Ended (SE) mode, and improves performance by optimizing PCI bus utilization.

The LSI53C810A integrates a high-performance SCSI core, a PCI bus master DMA core, and the LSI Logic SCSI SCRIPTS™ processor to meet the flexibility requirements of SCSI-1, SCSI-2, and future SCSI standards. It is designed to implement multithreaded I/O algorithms with a minimum of processor intervention, solving the protocol overhead problems of previous intelligent and nonintelligent adapter designs.

The LSI53C810A is fully supported by the LSI Logic Storage Device Management System (SDMS™), a software package that supports the Advanced SCSI Protocol Interface (ASPI). SDMS software provides BIOS and driver support for hard disk, tape, removable media products, and CD-ROM under the major PC operating systems.

The LSI53C810A is packaged in a compact rectangular 100-pin Plastic Quad Flat Pack (PQFP) package to minimize board space requirements. It operates the SCSI bus at 5 Mbytes/s asynchronously or 10 Mbytes/s synchronously, and bursts data to the host at full PCI speeds. The LSI53C810A increases SCRIPTS performance and reduces PCI bus overhead by allowing instruction prefetches of 4 or 8 Dwords.

Software development tools are available to developers who use the SCSI SCRIPTS language to create customized SCSI software applications. The LSI53C810A allows easy firmware upgrades and is supported by advanced SCRIPTS commands.

---

## 1.1 TolerANT<sup>®</sup> Technology

The LSI53C810A features TolerANT technology, which includes active negation on the SCSI drivers and input signal filtering on the SCSI receivers. Active negation actively drives the SCSI Request, Acknowledge, Data, and Parity signals HIGH rather than allowing them to be passively pulled up by terminators. Active negation is enabled by setting bit 7 in the [SCSI Test Three \(STEST3\)](#) register.

TolerANT receiver technology improves data integrity in unreliable cabling environments where other devices would be subject to data corruption. TolerANT receivers filter the SCSI bus signals to eliminate unwanted transitions, without the long signal delay associated with RC-type input filters. This improved driver and receiver technology helps eliminate double clocking of data, the single biggest reliability issue with SCSI operations. The TolerANT input signal filtering is a built in feature of all LSI Logic fast SCSI devices. On the LSI53C8XX family products, the user may select a filtering period of 30 or 60 ns, with bit 1 in the [SCSI Test Two \(STEST2\)](#) register.

The benefits of TolerANT technology include increased immunity to noise when the signal is going HIGH, better performance due to balanced duty cycles, and improved fast SCSI transfer rates. In addition, TolerANT SCSI devices do not cause glitches on the SCSI bus at power-up or power-down, so other devices on the bus are also protected from data corruption. TolerANT technology is compatible with both the Alternative One and Alternative Two termination schemes proposed by the American National Standards Institute.

---

## 1.2 LSI53C810A Benefits Summary

This section provides an overview of the LSI53C810A features and benefits. It contains these topics:

- [SCSI Performance](#)
- [PCI Performance](#)
- [Integration](#)
- [Ease of Use](#)
- [Flexibility](#)
- [Reliability](#)
- [Testability](#)

### 1.2.1 SCSI Performance

To improve SCSI performance, the LSI53C810A:

- Complies with PCI 2.1 specification
- Supports variable block size and scatter/gather data transfers
- Minimizes SCSI I/O start latency
- Performs complex bus sequences without interrupts, including restore data pointers
- Reduces Interrupt Service Routine (ISR) overhead through a unique interrupt status reporting method
- Performs fast SCSI bus transfers in SE mode
  - up to 7 Mbytes/s asynchronous
  - 10 Mbytes/s synchronous
- Increases performance of data transfers to and from the chip registers with new load and store SCRIPTS instruction
- Supports target disconnect and later reselect with no interrupt to the system processor
- Supports execution of multithreaded I/O algorithms in SCSI SCRIPTS with fast I/O context switching

## 1.2.2 PCI Performance

To improve PCI performance, the LSI53C810A:

- Bursts 2, 4, 8, or 16 Dwords across PCI bus with 80-byte DMA FIFO
- Prefetches up to 8 Dwords of SCRIPTS instructions
- Supports 32-bit word data bursts with variable burst lengths.
- Bursts SCRIPTS opcode fetches across the PCI bus
- Performs zero wait-state bus master data bursts faster than 110 Mbytes/s (@ 33 MHz)
- Supports PCI [Cache Line Size](#) register

## 1.2.3 Integration

Features of the LSI53C810A which ease integration include:

- 3.3 V/5 V PCI interface
- Full 32-bit PCI DMA bus master
- DMA controller using Memory-to-Memory Move instructions
- High-performance SCSI core
- Integrated SCRIPTS processor
- Compact 100-pin PQFP packaging

## 1.2.4 Ease of Use

The LSI53C810A provides:

- Direct PCI-to-SCSI connection
- Reduced SCSI development effort
- Support for the ASPI software standard using SDMS software
- Compatibility with existing LSI53C7XX and LSI53C8XX family SCRIPTS
- Direct connection to PCI and SCSI SE bus
- Development tools and sample SCSI SCRIPTS
- Maskable and pollable interrupts



- Three programmable SCSI timers: Select/Reselect, Handshake-to-Handshake, and General Purpose. The time-out period is programmable from 100  $\mu$ s to greater than 1.6 seconds
- SDMS software for complete PC-based operating system support
- Support for relative jump
- New SCSI Selected As ID (SSAID) bits for use when responding with multiple IDs

### 1.2.5 Flexibility

The LSI53C810A provides:

- High level programming interface (SCSI SCRIPTS)
- Support for execution of tailored SCSI sequences from main system RAM
- Flexible programming interface to tune I/O performance or to adapt to unique SCSI devices
- Flexibility to accommodate changes in the logical I/O interface definition
- Low level access to all registers and all SCSI bus signals
- Fetch, Master, and Memory Access control pins
- Support for indirect fetching of DMA address and byte counts so that SCRIPTS can be placed in a PROM
- Separate SCSI and system clocks
- Selectable IRQ pin disable bit
- Ability to route system clock to SCSI clock

### 1.2.6 Reliability

Enhanced reliability features of the LSI53C810A include:

- 2 kV ESD protection on SCSI signals
- Typical 300 mV SCSI bus hysteresis
- Average operating supply current of 50 mA
- Protection against bus reflections due to impedance mismatches

- Controlled bus assertion times (reduces RFI, improves reliability, and eases FCC certification)
- Latch-up protection greater than 150 mA
- Voltage feed-through protection (minimum leakage current through SCSI pads)
- High proportion (> 25%) of pins power and ground
- Power and ground isolation of I/O pads and internal chip logic
- TolerANT technology, which provides:
  - Active negation of SCSI Data, Parity, Request, and Acknowledge signals for improved fast SCSI transfer rates.
  - Input signal filtering on SCSI receivers improves data integrity, even in noisy cabling environments.

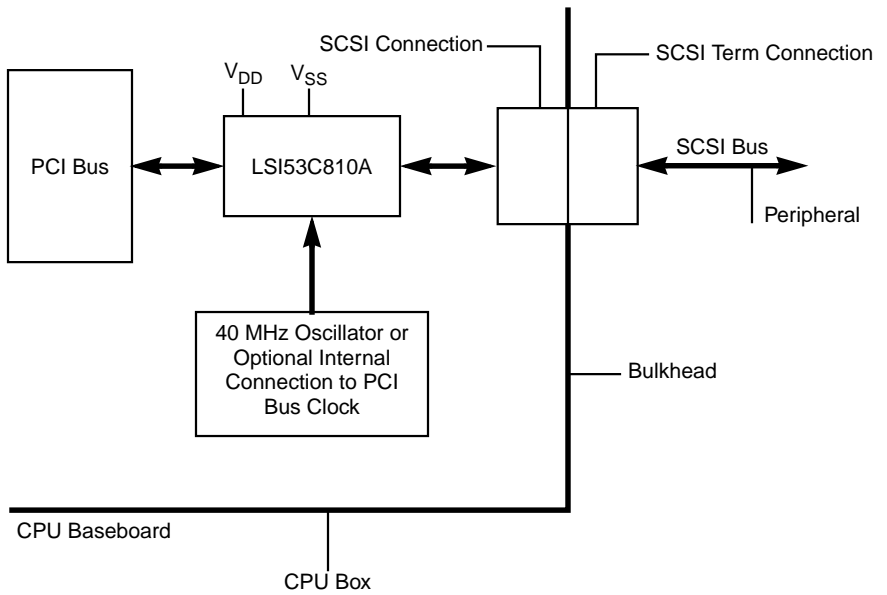
## 1.2.7 Testability

The LSI53C810A provides improved testability through:

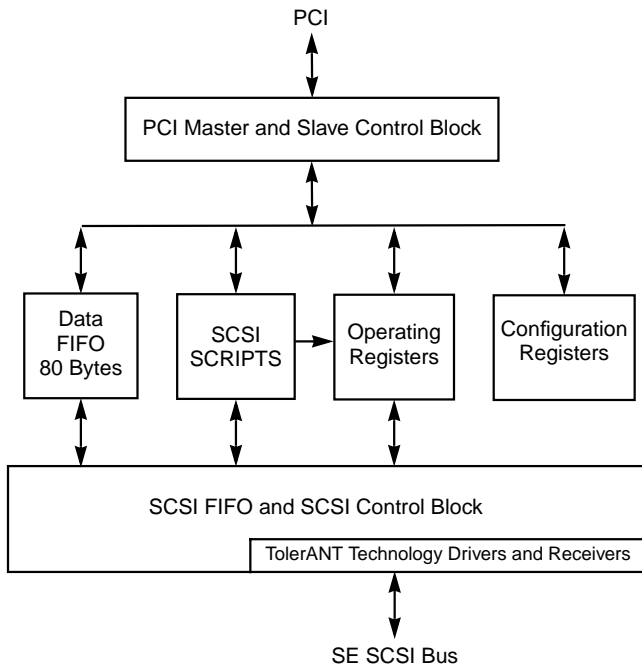
- Access to all SCSI signals through programmed I/O
- SCSI loopback diagnostics
- SCSI bus signal continuity checking
- Support for single step mode operation
- Test mode (AND tree) to check pin continuity to the board

A system diagram showing the connections of the LSI53C810A in a PCI system is pictured in [Figure 1.1](#). A block diagram of the LSI53C810A is pictured in [Figure 1.2](#).

**Figure 1.1 LSI53C810A System Diagram**



**Figure 1.2 LSI53C810A Chip Block Diagram**



# Chapter 2

## Functional Description

---

Chapter 2 is divided into the following sections:

- [Section 2.1, "SCSI Core"](#)
- [Section 2.2, "SCRIPTS Processor"](#)
- [Section 2.3, "Prefetching SCRIPTS Instructions"](#)
- [Section 2.4, "PCI Cache Mode"](#)
- [Section 2.5, "Parity Options"](#)
- [Section 2.6, "SCSI Bus Interface"](#)
- [Section 2.7, "Interrupt Handling"](#)

The LSI53C810A contains three functional blocks: the SCSI Core, the DMA Core, and the SCRIPTS Processor. The LSI53C810A is fully supported by the SDMS, a complete software package that supports the LSI Logic product line of SCSI processors and controllers.

---

## 2.1 SCSI Core

The SCSI core supports synchronous transfer rates up to 10 Mbytes/s and asynchronous transfer rates up to 7 Mbytes/s on an 8-bit SCSI bus. The SCSI core can be programmed with SCSI SCRIPTS, making it easy to fine tune the system for specific mass storage devices or advanced SCSI requirements.

The SCSI core offers low-level register access or a high-level control interface. Like first generation SCSI devices, the LSI53C810A SCSI core can be accessed as a register-oriented device. The ability to sample and/or assert any signal on the SCSI bus can be used in error recovery

and diagnostic procedures. In support of loopback diagnostics, the SCSI core can perform a self-selection and operate as both an initiator and a target.

The SCSI core is controlled by the integrated SCRIPTS processor through a high-level logical interface. Commands controlling the SCSI core are fetched out of the main host memory or local memory. These commands instruct the SCSI core to Select, Reselect, Disconnect, Wait for a Disconnect, Transfer Information, Change Bus Phases and, in general, implement all aspects of the SCSI protocol. The SCRIPTS processor is a special high-speed processor optimized for SCSI protocol.

### **2.1.1 DMA Core**

The DMA core is a bus master DMA device that attaches directly to the industry standard PCI bus. The DMA core is tightly coupled to the SCSI core through the SCRIPTS processor, which supports uninterrupted scatter/gather memory operations.

The LSI53C810A supports 32-bit memory and automatically supports misaligned DMA transfers. An 80-byte FIFO allows 2, 4, 8, or 16 Dword bursts across the PCI bus interface to run efficiently without throttling the bus during PCI bus latency.

---

## **2.2 SCRIPTS Processor**

The SCSI SCRIPTS processor allows both DMA and SCSI commands to be fetched from host memory. Algorithms written in SCSI SCRIPTS control the actions of the SCSI and DMA cores and are executed from 32-bit system RAM. The SCRIPTS processor executes complex SCSI bus sequences independently of the host CPU.

The SCRIPTS processor can begin a SCSI I/O operation in approximately 500 ns. This compares with 2–8 ms required for traditional intelligent host adapters. Algorithms may be designed to tune SCSI bus performance, to adjust to new bus device types (such as scanners, communication gateways, etc.), or to incorporate changes in the SCSI-2 or SCSI-3 logical bus definitions without sacrificing I/O performance. SCSI SCRIPTS are hardware independent, so they can be used interchangeably on any host or CPU system bus.

A complete set of development tools is available for writing custom drivers with SCSI SCRIPTS. For more information on SCSI SCRIPTS instructions supported by the LSI53C810A, see [Chapter 6, "Instruction Set of the I/O Processor."](#)

## 2.2.1 SDMS Software: The Total SCSI Solution

For users who do not need to develop custom drivers, LSI Logic provides a total SCSI solution in PC environments with SDMS software. SDMS software provides BIOS and driver support for hard disk, tape, and removable media peripherals for the major PC-based operating systems.

SDMS software includes a SCSI BIOS to manage all SCSI functions related to the device. It also provides a series of SCSI device drivers that support most major operating systems. SDMS software supports a multithreaded I/O application programming interface (API) for user-developed SCSI applications. SDMS software supports both the ASPI and CAM SCSI software specifications.

---

## 2.3 Prefetching SCRIPTS Instructions

When enabled by setting the Prefetch Enable bit (bit 5) in the [DMA Control \(DCNTL\)](#) register, the prefetch logic in the LSI53C810A fetches 4 or 8 Dwords of instructions. The prefetch logic automatically determines the maximum burst size that it can perform, based on the burst length as determined by the values in the [DMA Mode \(DMODE\)](#) register and the PCI [Cache Line Size](#) register (if cache mode is enabled). If the unit cannot perform bursts of at least 4 Dwords, it disables itself.

The LSI53C810A may flush the contents of the prefetch unit under certain conditions, listed below, to ensure that the chip always operates from the most current version of the software. When one of these conditions apply, the contents of the prefetch unit are automatically flushed.

- On every Memory Move instruction. The Memory Move (MMOV) instruction is often used to place modified code directly into memory. To make sure that the chip executes all recent modifications, the prefetch unit flushes its contents and loads the modified code every time a MMOV instruction is issued. To avoid inadvertently flushing

the prefetch unit contents, use the No Flush Memory to Memory Move (NFMMOV) instruction for all MMOV operations that do not modify code within the next 4 to 8 Dwords. For more information on this instruction, refer to [Chapter 6, “Instruction Set of the I/O Processor.”](#)

- On every Store instruction. The Store instruction may also be used to place modified code directly into memory. To avoid inadvertently flushing the prefetch unit contents use the No Flush option for all Store operations that do not modify code within the next 8 Dwords.
- On every write to the [DMA SCRIPTS Pointer \(DSP\)](#) register.
- On all Transfer Control instructions when the transfer conditions are met. This is necessary because the next instruction to execute is not the sequential next instruction in the prefetch unit.
- When the Prefetch Flush bit ([DMA Control \(DCNTL\)](#) bit 6) is set. The unit flushes whenever this bit is set. The bit is self-clearing.

### 2.3.1 Opcode Fetch Burst Capability

Setting the Burst Opcode Fetch Enable bit (bit 1) in the [DMA Mode \(DMODE\)](#) register (0x38) causes the LSI53C810A to burst in the first two Dwords of all instruction fetches. If the instruction is a Memory-to-Memory Move, the third Dword is accessed in a separate ownership. If the instruction is an indirect type, the additional Dword is accessed in a subsequent bus ownership. If the instruction is a Table Indirect Block Move, the chip uses two accesses to obtain the four Dwords required, in two bursts of two Dwords each.

Note: This feature can only be used if SCRIPTS prefetching is disabled.

---

## 2.4 PCI Cache Mode

The LSI53C810A supports the PCI specification for an 8-bit [Cache Line Size](#) register located in PCI configuration space. The [Cache Line Size](#) register provides the ability to sense and react to nonaligned addresses corresponding to cache line boundaries. In conjunction with the [Cache Line Size](#) register, the PCI commands Read Line, Read Multiple, and



Write and Invalidate are each software enabled or disabled to allow the user full flexibility in using these commands. For more information on PCI cache mode operations, refer to [Chapter 3, "PCI Functional Description."](#)

## 2.4.1 Load and Store Instructions

The LSI53C810A supports the Load and Store instruction type, which simplifies the movement of data between memory and the internal chip registers. It also enables the LSI53C810A to transfer bytes to addresses relative to the [Data Structure Address \(DSA\)](#) register. For more information on the Load and Store instructions, refer to [Chapter 6, "Instruction Set of the I/O Processor."](#)

## 2.4.2 3.3 V/5 V PCI Interface

The LSI53C810A can attach directly to a 3.3 V or a 5 V PCI interface, due to separate  $V_{DD}$  pins for the PCI bus drivers. This allows the devices to be used on the universal board recommended by the PCI Special Interest Group.

## 2.4.3 Loopback Mode

The LSI53C810A loopback mode allows testing of both initiator and target functions and, in effect, lets the chip communicate with itself. When the Loopback Enable bit is set in the [SCSI Test Two \(STEST2\)](#) register, bit 4, the LSI53C810A allows control of all SCSI signals whether the chip is operating in the initiator or target mode. For more information on this mode of operation refer to the *SCSI SCRIPTS Processors Programming Guide*.

---

## 2.5 Parity Options

The LSI53C810A implements a flexible parity scheme that allows control of the parity sense, allows parity checking to be turned on or off, and has the ability to deliberately send a byte with bad parity over the SCSI bus to test parity error recovery procedures. [Table 2.1](#) defines the bits that are involved in parity control and observation. [Table 2.2](#) describes the parity control function of the Enable Parity Checking and Assert SCSI Even Parity bits in the [SCSI Control Zero \(SCNTL0\)](#) register. [Table 2.3](#) describes the options available when a parity error occurs.

**Table 2.1 Bits Used for Parity Control and Observation**

Bit Name	Location	Description
Assert SATN/ on Parity Errors	SCSI Control Zero (SCNTL0), Bit 1	Causes the LSI53C810A to automatically assert SATN/ when it detects a parity error while operating as an initiator.
Enable Parity Checking	SCSI Control Zero (SCNTL0), Bit 3	Enables the LSI53C810A to check for parity errors. The LSI53C810A checks for odd parity.
Assert Even SCSI Parity	SCSI Control One (SCNTL1), Bit 2	Determines the SCSI parity sense generated by the LSI53C810A to the SCSI bus.
Disable Halt on SATN/ or a Parity Error (Target Mode Only)	SCSI Control One (SCNTL1), Bit 5	Causes the LSI53C810A not to halt operations when a parity error is detected in target mode.
Enable Parity Error Interrupt	SCSI Interrupt Enable Zero (SIEN0), Bit 0	Determines whether the LSI53C810A generates an interrupt when it detects a SCSI parity error.
Parity Error	SCSI Interrupt Status Zero (SIST0), Bit 0	This status bit is set whenever the LSI53C810A detects a parity error on the SCSI bus.
Status of SCSI Parity Signal	SCSI Status Zero (SSTAT0), Bit 0	This status bit represents the active HIGH current state of the SCSI SDP0 parity signal.
Latched SCSI Parity	SCSI Status One (SSTAT1), Bit 3	This bit reflects the SCSI odd parity signal corresponding to the data latched into the SCSI Input Data Latch (SIDL) register.
Master Parity Error Enable	Chip Test Four (CTEST4), Bit 3	Enables parity checking during master data phases.
Master Data Parity Error	DMA Status (DSTAT), Bit 6	Set when the LSI53C810A, as a PCI master, detects a target device signaling a parity error during a data phase.
Master Data Parity Error Interrupt Enable	DMA Interrupt Enable (DIEN), Bit 6	By clearing this bit, a Master Data Parity Error does not cause assertion of IRQ/, but the status bit is set in the DMA Status (DSTAT) register.

**Table 2.2 SCSI Parity Control**

EPC	AESP	Description
0	0	Does not check for parity errors. Parity is generated when sending SCSI data. Asserts odd parity when sending SCSI data.
0	1	Does not check for parity errors. Parity is generated when sending SCSI data. Asserts even parity when sending SCSI data.
1	0	Checks for odd parity on SCSI data received. Parity is generated when sending SCSI data. Asserts odd parity when sending SCSI data.
1	1	Checks for odd parity on SCSI data received. Parity is generated when sending SCSI data. Asserts even parity when sending SCSI data.

## 1. Key:

EPC = Enable Parity Checking (bit 3, [SCSI Control Zero \(SCNTL0\)](#)).ASEP = Assert SCSI Even Parity (bit 2, [SCSI Control One \(SCNTL1\)](#)).**Table 2.3 SCSI Parity Errors and Interrupts**

DPH	PAR	Description
0	0	Halts when a parity error occurs in the target or initiator mode and does not generate an interrupt.
0	1	Halts when a parity error occurs in the target mode and generates an interrupt in target or initiator mode.
1	0	Does not halt in target mode when a parity error occurs until the end of the transfer. An interrupt is not generated.
1	1	Does not halt in target mode when a parity error occurs until the end of the transfer. An interrupt is generated.

## Key:

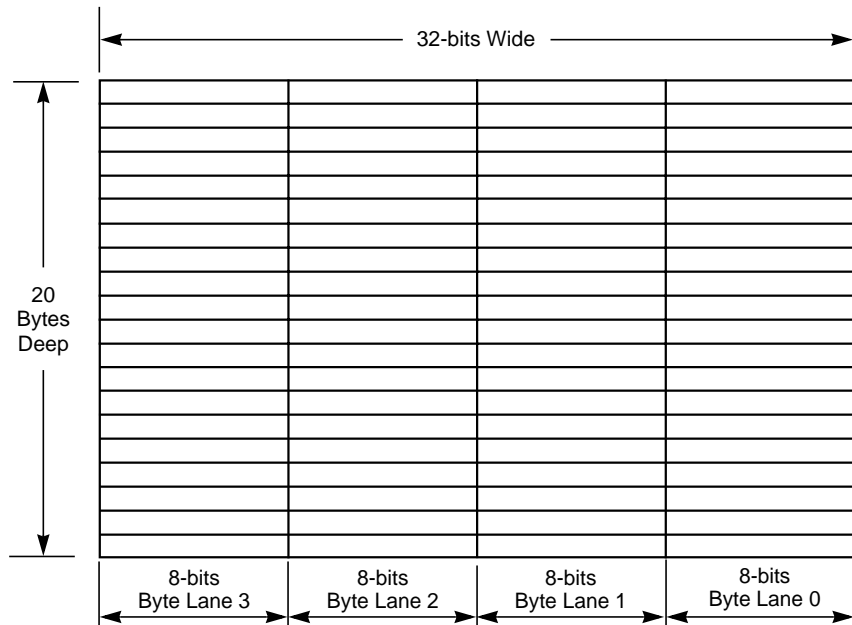
DHP = Disable Halt on SATN/ or Parity Error (bit 5, [SCSI Control One \(SCNTL1\)](#)).PAR = Parity Error (bit 0, [SCSI Interrupt Enable Zero \(SIEN0\)](#)).

This table only applies when the Enable Parity Checking bit is set.

## 2.5.1 DMA FIFO

The DMA FIFO is divided into four sections, each one byte wide and 20 transfers deep. The DMA FIFO is illustrated in [Figure 2.1](#).

**Figure 2.1 DMA FIFO Sections**



### 2.5.1.1 Data Paths

The data path through the LSI53C810A is dependent on whether data is being moved into or out of the chip, and whether SCSI data is being transferred asynchronously or synchronously.

[Figure 2.2](#) shows how data is moved to/from the SCSI bus in each of the different modes.

The following steps determine if any bytes remain in the data path when the chip halts an operation:

### **Asynchronous SCSI Send –**

- Step 1. Look at the [DMA FIFO \(DFIFO\)](#) and [DMA Byte Counter \(DBC\)](#) registers and calculate if there are bytes left in the DMA FIFO. To make this calculation, subtract the seven least significant bits of the [DMA Byte Counter \(DBC\)](#) register from the 7-bit value of the [DMA FIFO \(DFIFO\)](#) register. AND the result with 0x7F for a byte count between zero and 80.
- Step 2. Read bit 5 in the [SCSI Status Zero \(SSTAT0\)](#) register to determine if any bytes are left in the [SCSI Output Data Latch \(SODL\)](#) register. If bit 5 is set in SSTAT0, then the SODL register is full.

### **Synchronous SCSI Send –**

- Step 1. Look at the [DMA FIFO \(DFIFO\)](#) and [DMA Byte Counter \(DBC\)](#) registers and calculate if there are bytes left in the DMA FIFO. To make this calculation, subtract the seven least significant bits of the [DMA Byte Counter \(DBC\)](#) register from the 7-bit value of the [DMA FIFO \(DFIFO\)](#) register. AND the result with 0x7F for a byte count between zero and 80.
- Step 2. Read bit 5 in the [SCSI Status Zero \(SSTAT0\)](#) register to determine if any bytes are left in the [SCSI Output Data Latch \(SODL\)](#) register. If bit 5 is set in SSTAT0, then the [SCSI Output Data Latch \(SODL\)](#) register is full.
- Step 3. Read bit 6 in the [SCSI Status Zero \(SSTAT0\)](#) register to determine if any bytes are left in the SODR register. If bit 6 is set in SSTAT0, then the SODR register is full.

### **Asynchronous SCSI Receive –**

- Step 1. Look at the [DMA FIFO \(DFIFO\)](#) and [DMA Byte Counter \(DBC\)](#) registers and calculate if there are bytes left in the DMA FIFO. To make this calculation, subtract the seven least significant bits of the [DMA Byte Counter \(DBC\)](#) register from the 7-bit value of the [DMA FIFO \(DFIFO\)](#) register. AND the result with 0x7F for a byte count between zero and 80.

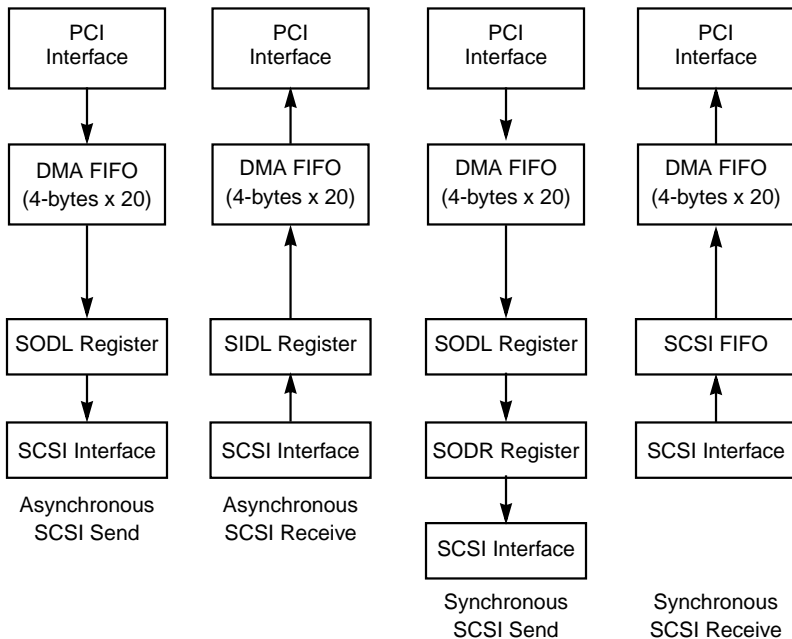
Step 2. Read bit 7 in the **SCSI Status Zero (SSTAT0)** register to determine if any bytes are left in the **SCSI Input Data Latch (SIDL)** register. If bit 7 is set in SSTAT0, then the **SCSI Input Data Latch (SIDL)** register is full.

### Synchronous SCSI Receive –

Step 1. Subtract the seven least significant bits of the **DMA Byte Counter (DBC)** register from the 7-bit value of the **DMA FIFO (DFIFO)** register. AND the result with 0x7F for a byte count between zero and 80.

Step 2. Read the **SCSI Status One (SSTAT1)** register and examine bits [7:4], the binary representation of the number of valid bytes in the SCSI FIFO, to determine if any bytes are left in the SCSI FIFO.

**Figure 2.2 LSI53C810A Host Interface Data Paths**



---

## 2.6 SCSI Bus Interface

The LSI53C810A supports SE operation only. All SCSI signals are active LOW. The LSI53C810A contains the SE output drivers and can be connected directly to the SCSI bus. Each output is isolated from the power supply to ensure that a powered-down LSI53C810A has no effect on an active SCSI bus (CMOS “voltage feed-through” phenomena). TolerANT technology provides signal filtering at the inputs of SREQ/ and SACK/ to increase immunity to signal reflections.

### 2.6.1 Terminator Networks

The terminator networks provide the biasing needed to pull signals to an inactive voltage level, and to match the impedance seen at the end of the cable with the characteristic impedance of the cable. Terminators must be installed at the extreme ends of the SCSI chain, and only at the ends. No system should ever have more or less than two terminators installed and active. SCSI host adapters should provide a means of accommodating terminators. There should be a means of disabling the termination.

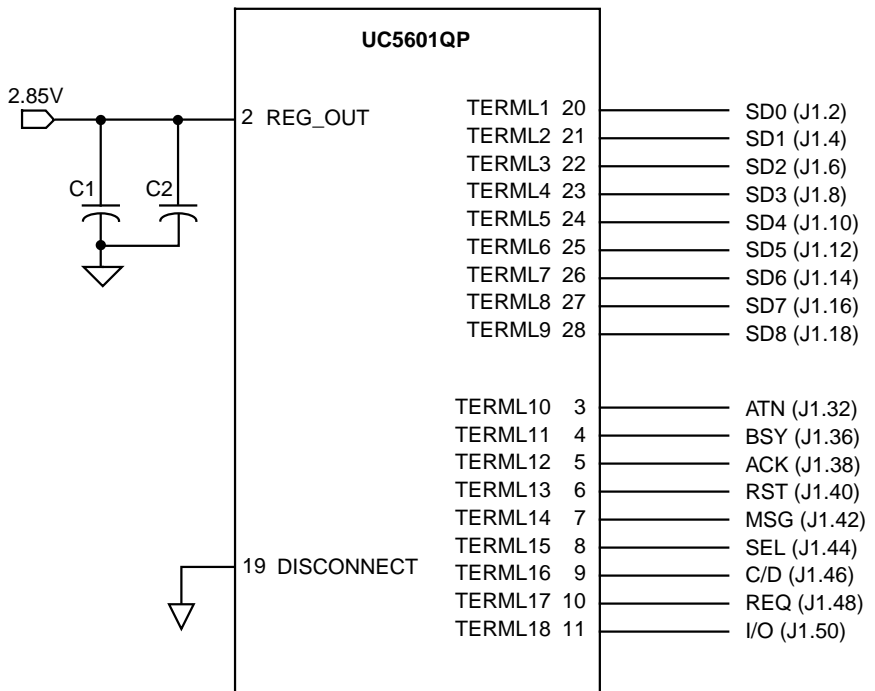
SE cables can use a 220  $\Omega$  pull-up resistor to the terminator power supply (Term-Power) line and a 330  $\Omega$  pull-down to ground. Because of the high-performance nature of the LSI53C810A, regulated or active termination is recommended. [Figure 2.3](#) shows a Unitrode active terminator. TolerANT active negation can be used with any ANSI approved termination network. For additional information, refer to the SCSI-2 specification.

### 2.6.2 Select/Reselect During Selection/Reselection

In multithreaded SCSI I/O environments, it is not uncommon to be selected or reselected while trying to perform selection/reselection. This situation may occur when a SCSI controller (operating in the initiator mode) tries to select a target and is reselected by another. The Select SCRIPTS instruction has an alternate address to which the SCRIPTS will jump when this situation occurs. The analogous situation for target devices is being selected while trying to perform a reselection.

Once a change in operating mode occurs, the initiator SCRIPTS should start with a Set Initiator instruction or the target SCRIPTS should start with a Set Target instruction. The Selection and Reselection Enable bits (SCSI Chip ID (SCID) bits 5 and 6, respectively) should both be asserted so that the LSI53C810A may respond as an initiator or as a target. If only selection is enabled, the LSI53C810A cannot be reselected as an initiator. There are also status and interrupt bits in the [SCSI Interrupt Status Zero \(SIST0\)](#) and [SCSI Interrupt Enable Zero \(SIEN0\)](#) registers, respectively, indicating that the LSI53C810A has been selected (bit 5) or reselected (bit 4).

**Figure 2.3 Active or Regulated Termination**



Note:

1. C1 - 10  $\mu$ F SMT
2. C2 - 0.1  $\mu$ F SMT
3. J1 - 68-pin, high density "P" connector



## 2.6.3 Synchronous Operation

The LSI53C810A can transfer synchronous SCSI data in both the initiator and target modes. The [SCSI Transfer \(SXFER\)](#) register controls both the synchronous offset and the transfer period. It may be loaded by the CPU before SCRIPTS execution begins, from within SCRIPTS using a Table Indirect I/O instruction, or with a Read-Modify-Write instruction.

The LSI53C810A can receive data from the SCSI bus at a synchronous transfer period as short as 80 ns or 160 ns (with a 50 MHz clock), regardless of the transfer period used to send data. The LSI53C810A can receive data at one-fourth of the divided SCLK frequency. Depending on the SCLK frequency, the negotiated transfer period, and the synchronous clock divider, the LSI53C810A can send synchronous data at intervals as short as 100 ns for fast SCSI-2 and 200 ns for SCSI-1.

### 2.6.3.1 Determining the Data Transfer Rate

Synchronous data transfer rates are controlled by bits in two different registers of the LSI53C810A. Following is a brief description of the bits. [Figure 2.4](#) illustrates the clock division factors used in each register, and the role of the register bits in determining the transfer rate.

### 2.6.3.2 SCNTL3 Register, Bits [6:4] (SCF[2:0])

The SCF[2:0] bits select the factor by which the frequency of SCLK is divided before being presented to the synchronous SCSI control logic. The output from this divider controls the rate at which data can be received; this rate must not exceed 50 MHz. The receive rate is one-fourth of the divider output. For example, if SCLK is 40 MHz and the SCF value is set to divide by one, then the maximum rate at which data can be received is 10 Mbytes/s ( $40/(1*4) = 10$ ).

For synchronous send, the output of the SCF divider is divided by the transfer period (XFERP) bits in the [SCSI Transfer \(SXFER\)](#) register. For valid combinations of the SCF and the XFERP, see [Table 5.3](#) and [Table 5.4](#), under the description of the XFERP bits [7:5] in the [SCSI Transfer \(SXFER\)](#) register.

### 2.6.3.3 SCNTL3 Register, Bits [2:0] (CCF[2:0])

The CCF[2:0] bits select the frequency of the SCLK for asynchronous SCSI operations. To meet the SCSI timings as defined by the ANSI specification, these bits need to be set properly.

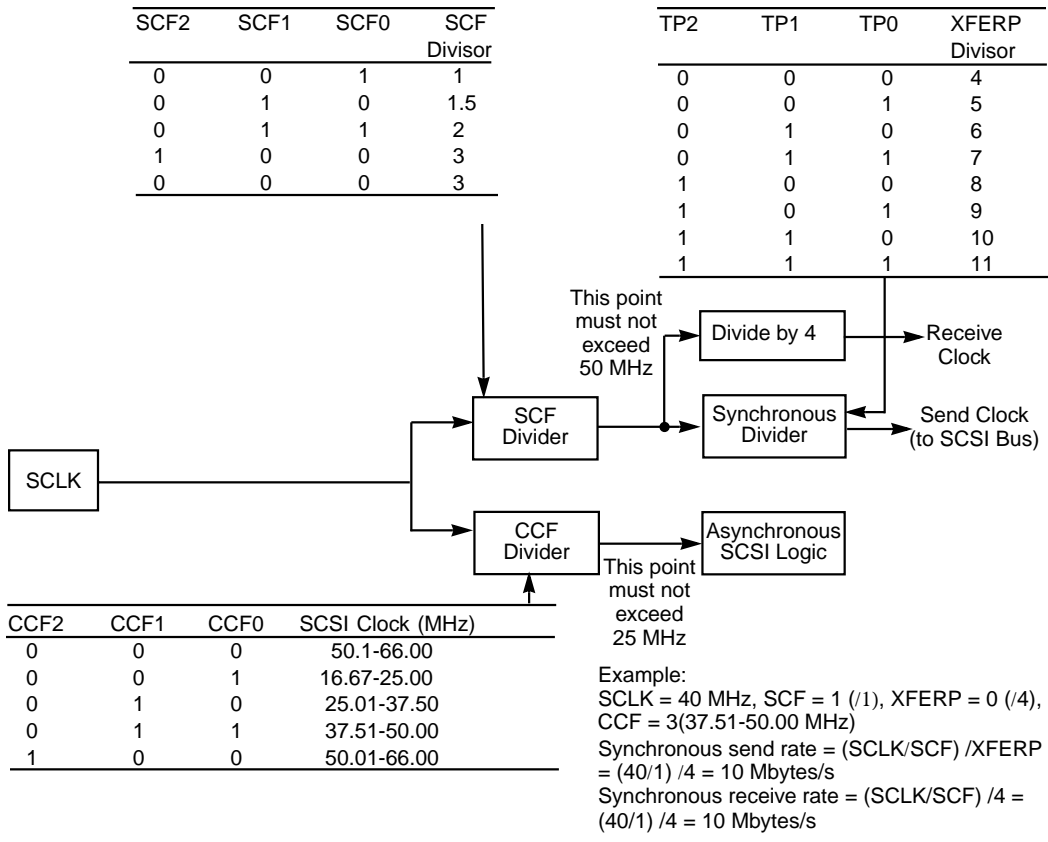
### 2.6.3.4 SXFER Register, Bits [7:5] (TP[2:0])

The TP[2:0] divider (XFERP) bits determine the SCSI synchronous send rate in either initiator or target mode. This value further divides the output from the SCF divider.

### 2.6.3.5 Achieving Optimal SCSI Send Rates

To achieve optimal synchronous SCSI send timings, the SCF divisor value should be set high, to divide the clock as much as possible before presenting the clock to the TP divider bits in the [SCSI Transfer \(SXFER\)](#) register. The TP[2:0] divider value should be as low as possible. For example, with 40 MHz clock to achieve a Mbytes/s send rate, the SCF bits can be set to divide by 1 and the TP bits to divide by 8; or the SCF bits can be set to divide by 2 and the TP bits set to divide by 4. Use the second option to achieve optimal SCSI timings.

**Figure 2.4 Determining the Synchronous Transfer Rate**



## 2.7 Interrupt Handling

The SCRIPTS processor in the LSI53C810A performs most functions independently of the host microprocessor. However, certain interrupt situations must be handled by the external microprocessor. This section explains all aspects of interrupts as they apply to the LSI53C810A.

### 2.7.1 Polling and Hardware Interrupts

The external microprocessor is informed of an interrupt condition by polling or hardware interrupts. Polling means that the microprocessor must continually loop and read a register until it detects a bit set that indicates an interrupt. This method is the fastest, but it wastes CPU time

that could be used for other system tasks. The preferred method of detecting interrupts in most systems is hardware interrupts. In this case, the LSI53C810A asserts the Interrupt Request (IRQ/) line that interrupts the microprocessor, causing the microprocessor to execute an interrupt service routine. A hybrid approach would use hardware interrupts for long waits, and use polling for short waits.

### 2.7.1.1 Registers

The registers in the LSI53C810A that are used for detecting or defining interrupts are the [Interrupt Status \(ISTAT\)](#), [SCSI Interrupt Status Zero \(SIST0\)](#), [SCSI Interrupt Status One \(SIST1\)](#), [DMA Status \(DSTAT\)](#), [SCSI Interrupt Enable Zero \(SIEN0\)](#), [SCSI Interrupt Enable One \(SIEN1\)](#), [DMA Control \(DCNTL\)](#), and [DMA Interrupt Enable \(DIEN\)](#).

**ISTAT** – The ISTAT is the only register that can be accessed as a slave during SCRIPTS operation. Therefore, it is the register that is polled when polled interrupts are used. It is also the first register that should be read after the IRQ/ pin is asserted in association with a hardware interrupt. The INTF (Interrupt-on-the-Fly) bit should be the first interrupt serviced. It must be written to one to be cleared. This interrupt must be cleared before servicing any other interrupts.

If the SIP bit in the [Interrupt Status \(ISTAT\)](#) register is set, then a SCSI-type interrupt has occurred and the [SCSI Interrupt Status Zero \(SIST0\)](#) and [SCSI Interrupt Status One \(SIST1\)](#) registers should be read.

If the DIP bit in the [Interrupt Status \(ISTAT\)](#) register is set, then a DMA-type interrupt has occurred and the [DMA Status \(DSTAT\)](#) register should be read.

SCSI-type and DMA-type interrupts may occur simultaneously, so in some cases both SIP and DIP may be set.

**SIST0 and SIST1** – The [SCSI Interrupt Status Zero \(SIST0\)](#) and [SCSI Interrupt Status One \(SIST1\)](#) registers contain the SCSI-type interrupt bits. Reading these registers determines which condition or conditions caused the SCSI-type interrupt, and clears that SCSI interrupt condition.

If the LSI53C810A is receiving data from the SCSI bus and a fatal interrupt condition occurs, the LSI53C810A attempts to send the contents of the DMA FIFO to memory before generating the interrupt.

If the LSI53C810A is sending data to the SCSI bus and a fatal SCSI interrupt condition occurs, data could be left in the DMA FIFO. Because of this the DMA FIFO Empty (DFE) bit in [DMA Status \(DSTAT\)](#) should be checked.

If this bit is cleared, set the CLF (Clear DMA FIFO) and CSF (Clear SCSI FIFO) bits before continuing. The CLF bit is bit 2 in [Chip Test Three \(CTEST3\)](#). The CSF bit is bit 1 in [SCSI Test Three \(STEST3\)](#).

**DSTAT** – The [DMA Status \(DSTAT\)](#) register contains the DMA-type interrupt bits. Reading this register determines which condition or conditions caused the DMA-type interrupt, and clears that DMA interrupt condition. The DFE bit, bit 7 in DSTAT, is purely a status bit; it will not generate an interrupt under any circumstances and will not be cleared when read. DMA interrupts flush neither the DMA nor SCSI FIFOs before generating the interrupt, so the DFE bit in the [DMA Status \(DSTAT\)](#) register should be checked after any DMA interrupt.

If the DFE bit is cleared, then the FIFOs must be cleared by setting the CLF (Clear DMA FIFO) and CSF (Clear SCSI FIFO) bits, or flushed by setting the FLF (Flush DMA FIFO) bit.

**SIEN0 and SIEN1** – The [SCSI Interrupt Enable Zero \(SIEN0\)](#) and [SCSI Interrupt Enable One \(SIEN1\)](#) registers are the interrupt enable registers for the SCSI interrupts in [SCSI Interrupt Status Zero \(SIST0\)](#) and [SCSI Interrupt Status One \(SIST1\)](#).

**DIEN** – The [DMA Interrupt Enable \(DIEN\)](#) register is the interrupt enable register for DMA interrupts in [DMA Status \(DSTAT\)](#).

**DCNTL** – When bit 1 in the [DMA Control \(DCNTL\)](#) register is set, the IRQ/ pin is not asserted when an interrupt condition occurs. The interrupt is not lost or ignored, but merely masked at the pin. Clearing this bit when an interrupt is pending immediately causes the IRQ/ pin to assert. As with any register other than ISTAT, this register cannot be accessed except by a SCRIPTS instruction during SCRIPTS execution.

### 2.7.1.2 Fatal vs. Nonfatal Interrupts

A fatal interrupt, as the name implies, always causes SCRIPTS to stop running. All nonfatal interrupts become fatal when they are enabled by setting the appropriate interrupt enable bit. Interrupt masking is discussed in [Section 2.7.1.3, "Masking."](#) All DMA interrupts (indicated by the DIP bit in ISTAT and one or more bits in DSTAT being set) are fatal.

Some SCSI interrupts (indicated by the SIP bit in the [Interrupt Status \(ISTAT\)](#) and one or more bits in [SCSI Interrupt Status Zero \(SIST0\)](#) or [SCSI Interrupt Status One \(SIST1\)](#) being set) are nonfatal.

When the LSI53C810A is operating in the Initiator mode, only the Function Complete (CMP), Selected (SEL), Reselected (RSL), General Purpose Timer Expired (GEN), and Handshake to Handshake Timer Expired (HTH) interrupts are nonfatal.

When operating in the Target mode, CMP, SEL, RSL, Target mode: SATN/ active (M/A), GEN, and HTH are nonfatal. Refer to the description for the Disable Halt on a Parity Error or SATN/ active (Target Mode Only) (DHP) bit in the [SCSI Control One \(SCNTL1\)](#) register to configure the chip's behavior when the SATN/ interrupt is enabled during Target mode operation. The Interrupt-on-the-Fly interrupt is also nonfatal, since SCRIPTS can continue when it occurs.

The reason for nonfatal interrupts is to prevent SCRIPTS from stopping when an interrupt occurs that does not require service from the CPU. This prevents an interrupt when arbitration is complete (CMP set), when the LSI53C810A is selected or reselected (SEL or RSL set), when the initiator asserts ATN (target mode: SATN/ active), or when the General Purpose or Handshake-to-Handshake timers expire. These interrupts are not needed for events that occur during high-level SCRIPTS operation.

### 2.7.1.3 Masking

Masking an interrupt means disabling or ignoring that interrupt. Interrupts can be masked by clearing bits in the [SCSI Interrupt Enable Zero \(SIEN0\)](#) and [SCSI Interrupt Enable One \(SIEN1\)](#) (for SCSI interrupts) registers or the [DMA Interrupt Enable \(DIEN\)](#) (for DMA interrupts) register. How the chip responds to masked interrupts depends on:

whether polling or hardware interrupts are being used; whether the interrupt is fatal or nonfatal; and whether the chip is operating in the Initiator or Target mode.

If a nonfatal interrupt is masked and that condition occurs, the SCRIPTS do not stop, the appropriate bit in the [SCSI Interrupt Status Zero \(SIST0\)](#) or [SCSI Interrupt Status One \(SIST1\)](#) is still set, the SIP bit in the [Interrupt Status \(ISTAT\)](#) is not set, and the IRQ/ pin is not asserted. See [Section 2.7.1.2, "Fatal vs. Nonfatal Interrupts,"](#) for a list of the nonfatal interrupts.

If a fatal interrupt is masked and that condition occurs, then the SCRIPTS still stop, the appropriate bit in the [DMA Status \(DSTAT\)](#), [SCSI Interrupt Status Zero \(SIST0\)](#), or [SCSI Interrupt Status One \(SIST1\)](#) register is set, and the SIP or DIP bits in the [Interrupt Status \(ISTAT\)](#) is set, but the IRQ/ pin is not asserted.

When the chip is initialized, enable all fatal interrupts if you are using hardware interrupts. If a fatal interrupt is disabled and that interrupt condition occurs, the SCRIPTS halt and the system never knows it unless it times out and checks the ISTAT after a certain period of inactivity.

If you are polling the ISTAT instead of using hardware interrupts, then masking a fatal interrupt makes no difference since the SIP and DIP bits in the [Interrupt Status \(ISTAT\)](#) inform the system of interrupts, not the IRQ/ pin.

Masking an interrupt after IRQ/ is asserted does not cause deassertion of IRQ/.

#### **2.7.1.4 Stacked Interrupts**

The LSI53C810A will stack interrupts if they occur one after the other. If the SIP or DIP bits in the ISTAT register are set (first level), then there is already at least one pending interrupt, and any future interrupts are stacked in extra registers behind the [SCSI Interrupt Status Zero \(SIST0\)](#), [SCSI Interrupt Status One \(SIST1\)](#), and [DMA Status \(DSTAT\)](#) registers (second level). When two interrupts have occurred and the two levels of the stack are full, any further interrupts set additional bits in the extra registers behind [SCSI Interrupt Status Zero \(SIST0\)](#), [SCSI Interrupt Status One \(SIST1\)](#), and [DMA Status \(DSTAT\)](#). When the first level of

interrupts are cleared, all the interrupts that came in afterward move into SIST0, SIST1, and DSTAT. After the first interrupt is cleared by reading the appropriate register, the IRQ/ pin is deasserted for a minimum of three CLKs; the stacked interrupts move into SIST0, SIST1, or DSTAT; and the IRQ/ pin is asserted once again.

Since a masked nonfatal interrupt does not set the SIP or DIP bits, interrupt stacking does not occur. A masked, nonfatal interrupt still posts the interrupt in SIST0, but does not assert the IRQ/ pin. Since no interrupt is generated, future interrupts move into [SCSI Interrupt Status Zero \(SIST0\)](#) or [SCSI Interrupt Status One \(SIST1\)](#) instead of being stacked behind another interrupt. When another condition occurs that generates an interrupt, the bit corresponding to the earlier masked nonfatal interrupt is still set.

A related situation to interrupt stacking is when two interrupts occur simultaneously. Since stacking does not occur until the SIP or DIP bits are set, there is a small timing window in which multiple interrupts can occur but are not stacked. These could be multiple SCSI interrupts (SIP set), multiple DMA interrupts (DIP set), or multiple SCSI and multiple DMA interrupts (both SIP and DIP set).

As previously mentioned, DMA interrupts do not attempt to flush the FIFOs before generating the interrupt. It is important to set the Clear DMA FIFO (CLF) and Clear SCSI FIFO (CSF) bits if a DMA interrupt occurs and the DMA FIFO Empty (DFE) bit is not set. This is because any future SCSI interrupts are not posted until the DMA FIFO is cleared of data. These 'locked out' SCSI interrupts are posted as soon as the DMA FIFO is empty.

### 2.7.1.5 Halting in an Orderly Fashion

When an interrupt occurs, the LSI53C810A attempts to halt in an orderly fashion.

- If the interrupt occurs in the middle of an instruction fetch, the fetch is completed, except in the case of a Bus Fault. Execution does not begin, but the [DMA SCRIPTS Pointer \(DSP\)](#) points to the next instruction since it is updated when the current instruction is fetched.



- If the DMA direction is a write to memory and a SCSI interrupt occurs, the LSI53C810A attempts to flush the DMA FIFO to memory before halting. Under any other circumstances only the current cycle is completed before halting, so the DFE bit in [DMA Status \(DSTAT\)](#) should be checked to see if any data remains in the DMA FIFO.
- SCSI SREQ/SACK handshakes that have begun are completed before halting.
- The LSI53C810A attempts to clean up any outstanding synchronous offset before halting.
- In the case of Transfer Control Instructions, once instruction execution begins it continues to completion before halting.
- If the instruction is a JUMP/CALL WHEN/IF <phase>, the [DMA SCRIPTS Pointer \(DSP\)](#) is updated to the transfer address before halting.
- All other instructions may halt before completion.

#### 2.7.1.6 Sample Interrupt Service Routine

The following is a sample of an interrupt service routine for the LSI53C810A. It can be repeated during polling or should be called when the IRQ/ pin is asserted if hardware interrupts.

1. Read [Interrupt Status \(ISTAT\)](#).
2. If the INTF bit is set, it must be written to a one to clear this status.
3. If only the SIP bit is set, read [SCSI Interrupt Status Zero \(SIST0\)](#) and [SCSI Interrupt Status One \(SIST1\)](#) to clear the SCSI interrupt condition and get the SCSI interrupt status. The bits in the SIST0 and SIST1 tell which SCSI interrupt(s) occurred and determine what action is required to service the interrupt(s).
4. If only the DIP bit is set, read the [DMA Status \(DSTAT\)](#) to clear the interrupt condition and get the DMA interrupt status. The bits in DSTAT tell which DMA interrupts occurred and determine what action is required to service the interrupts.
5. If both the SIP and DIP bits are set, read [SCSI Interrupt Status Zero \(SIST0\)](#), [SCSI Interrupt Status One \(SIST1\)](#), and [DMA Status \(DSTAT\)](#) to clear the SCSI and DMA interrupt condition and get the interrupt status. If using 8-bit reads of the SIST0, SIST1, and DSTAT registers to clear interrupts, insert a 12 CLK delay between the

consecutive reads to ensure that the interrupts clear properly. Both the SCSI and DMA interrupt conditions should be handled before leaving the ISR. It is recommended that the DMA interrupt is serviced before the SCSI interrupt, because a serious DMA interrupt condition could influence how the SCSI interrupt is acted upon.

6. When using polled interrupts, go back to Step 1 before leaving the ISR, in case any stacked interrupts moved in when the first interrupt was cleared. When using hardware interrupts, the IRQ/ pin will be asserted again if there are any stacked interrupts. This should cause the system to re-enter the ISR.

# Chapter 3

## PCI Functional Description

---

Chapter 3 is divided into the following sections:

- [Section 3.1, “PCI Addressing”](#)
- [Section 3.2, “PCI Cache Mode”](#)
- [Section 3.3, “Configuration Registers”](#)

### 3.1 PCI Addressing

There are three types of PCI-defined address space:

- Configuration space
- Memory space
- I/O space

#### 3.1.1 Configuration Space

Configuration space is a contiguous 256-byte set of addresses dedicated to each “slot” or “stub” on the bus. Decoding C\_BE/[3:0] determines if a PCI cycle is intended to access the configuration register space. The IDSEL bus signal is a chip select that allows access to the configuration register space only. Any attempt to access configuration space is ignored unless IDSEL is asserted. The eight lower order address lines and byte enables select a specific 8-bit register. The host processor uses this configuration space to initialize the LSI53C810A.

The lower 128 bytes of the LSI53C810A configuration space hold system parameters while the upper 128 bytes map into the LSI53C810A operating registers. For all PCI cycles except configuration cycles, the LSI53C810A registers are located on the 256-byte block boundary defined by the base address assigned through the configured register.

The LSI53C810A operating registers are available in both the upper and lower 128-byte portions of the 256-byte space selected.

At initialization time, each PCI device is assigned a base address for memory and I/O accesses. In the case of the LSI53C810A, the upper 24 bits of the address are selected. On every access, the LSI53C810A compares its assigned base addresses with the value on the Address/Data bus during the PCI address phase. If the upper 24 bits match, the access is for the LSI53C810A and the low-order eight bits define the register being accessed. A decode of C\_BE/[3:0] determines which registers and what type of access is to be performed.

**I/O Space** – The PCI specification defines I/O space as a contiguous 32-bit I/O address that is shared by all system resources, including the LSI53C810A. [Base Address Zero \(I/O\)](#) determines which 256-byte I/O area this device occupies.

**Memory Space** – The PCI specification defines memory space as a contiguous 32-bit memory address that is shared by all system resources, including the LSI53C810A. [Base Address One \(Memory\)](#) determines which 256-byte memory area this device occupies.

## 3.1.2 PCI Bus Commands and Functions Supported

Bus commands indicate to the target the type of transaction the master is requesting. Bus commands are encoded on the C\_BE/[3:0] lines during the address phase. PCI bus commands and encoding types appear in [Table 3.1](#).

### 3.1.2.1 I/O Read Command

The I/O Read command reads data from an agent mapped in I/O address space. All 32 address bits are decoded.

### 3.1.2.2 I/O Write Command

The I/O Write command writes data to an agent when mapped in I/O address space. All 32 address bits are decoded.

### 3.1.2.3 Memory Read Command

The Memory Read reads data from an agent mapped in memory address space. All 32 address bits are decoded.

### 3.1.2.4 Memory Read Multiple Command

The Memory Read Multiple command reads data from an agent mapped in memory address space. All 32 address bits are decoded.

### 3.1.2.5 Memory Read Line Command

The Memory Read Line command reads data from an agent mapped in memory address space. All 32 address bits are decoded.

### 3.1.2.6 Memory Write Command

The Memory Write command writes data to an agent when mapped in memory address space. All 32 address bits are decoded.

### 3.1.2.7 Memory Write and Invalidate Command

The Memory Write and Invalidate command writes data to an agent when mapped in memory address space. All 32 address bits are decoded.

---

## 3.2 PCI Cache Mode

The LSI53C810A supports the PCI specification for an 8-bit [Cache Line Size](#) register located in PCI configuration space. The [Cache Line Size](#) register provides the ability to sense and react to nonaligned addresses corresponding to cache line boundaries. In conjunction with the [Cache Line Size](#) register, the PCI commands Read Line, Read Multiple, and Write and Invalidate are each software enabled or disabled to allow the user full flexibility in using these commands.

### 3.2.1 Support for PCI Cache Line Size Register

The LSI3C810A supports the PCI specification for an 8-bit [Cache Line Size](#) register in PCI configuration space. It can sense and react to nonaligned addresses corresponding to cache line boundaries.

## 3.2.2 Selection of Cache Line Size

The cache logic selects a cache line size based on the values for the burst size in the [DMA Mode \(DMODE\)](#) register and the PCI [Cache Line Size](#) register.

Note: The LSI53C810A does not automatically use the value in the PCI [Cache Line Size](#) register as the cache line size value. The chip scales the value of the [Cache Line Size](#) register down to the nearest binary burst size allowed by the chip (2, 4, 8 or 16), compares this value to the DMODE burst size, then selects the smallest as the value for the cache line size. The LSI53C810A uses this value for all burst data transfers.

## 3.2.3 Alignment

The LSI53C810A uses the calculated burst size value to monitor the current address for alignment to the cache line size. When it is not aligned, the chip disables bursting allowing only single Dword transfers until a cache line boundary is reached. When the chip is aligned, bursting is re-enabled allowing bursts in increments specified by the [Cache Line Size](#) register as explained above. If the [Cache Line Size](#) register is not set (default = 0x00), the DMODE burst size is automatically used as the cache line size.

### 3.2.3.1 MMIO Misalignment

The LSI53C810A does not operate in a cache alignment mode when a MMIO instruction is issued and the read and write addresses are different distances from the nearest cache line boundary. For example, if the read address is 0x21F and the write address is 0x42F, and the cache line size is eight (8), the addresses are byte aligned, but they are not the same distance from the nearest cache boundary. The read address is 1 byte from the cache boundary 0x220 and the write address is 17 bytes from the cache boundary 0x440. In this situation, the chip does not align to cache boundaries and operates as an LSI53C810.

### 3.2.3.2 Memory Write and Invalidate Command

The Memory Write and Invalidate command is identical to the Memory Write command, except that it additionally guarantees a minimum transfer of one complete cache line; that is to say, the master intends to write all bytes within the addressed cache line in a single PCI transaction unless interrupted by the target. This command requires implementation of the PCI [Cache Line Size](#) register at address 0x0C in PCI configuration space. The LSI53C810A enables Memory Write and Invalidate cycles when bit 0 (WRIE) in the [Chip Test Three \(CTEST3\)](#) register and bit 4 (WIE) in the PCI [Command](#) register are set. When the following conditions are met, Memory Write and Invalidate commands are issued:

- The CLSE bit (Cache Line Size Enable, bit 7, [DMA Control \(DCNTL\)](#) register), WRIE bit (Write and Invalidate Enable, bit 0, [Chip Test Three \(CTEST3\)](#) register, and PCI configuration [Command](#) register, bit 4 are set.
- The [Cache Line Size](#) register contains a legal burst size (2, 4, 8 or 16) value AND that value is less than or equal to the [DMA Mode \(DMODE\)](#) burst size.
- The chip has enough bytes in the DMA FIFO to complete at least one full cache line burst.
- The chip is aligned to a cache line boundary.

When these conditions are met, the LSI53C810A issues a Write and Invalidate command instead of a Memory Write command during all PCI write cycles.

**Multiple Cache Line Transfers** – When multiple cache lines of data have been read in during a MMOV instruction (see the description for the Read Multiple command), the LSI53C810A issues a Write and Invalidate command using the burst size necessary to transfer all the data in one transfer. For example, if the cache line size is 4, and the chip read in 16 Dwords of data using a Read Multiple command, the chip switches the burst size to 16, and issues a Write and Invalidate to transfer all 16 Dwords in one bus ownership.

**Latency** – In accordance with the PCI specification, the latency timer is ignored when issuing a Write and Invalidate command such that when a latency time-out occurs, the LSI53C810A continues to transfer up until a cache line boundary. At that point, the chip relinquishes the bus, and

finish the transfer at a later time using another bus ownership. If the chip is transferring multiple cache lines it continues to transfer until the next cache boundary is reached.

**PCI Target Retry** – During a Write and Invalidate transfer, if the target device issues a retry (STOP with no TRDY, indicating that no data was transferred), the LSI53C810A relinquishes the bus and immediately tries to finish the transfer on another bus ownership. The chip issues another Write and Invalidate command on the next ownership, in accordance with the PCI specification.

**PCI Target Disconnect** – During a Write and Invalidate transfer, if the target device issues a disconnect the LSI53C810A relinquishes the bus and immediately tries to finish the transfer on another bus ownership. The chip does not issue another Write and Invalidate command on the next ownership.

### 3.2.3.3 Memory Read Line Command

This command is identical to the Memory Read command, except that it additionally indicates that the master intends to fetch a complete cache line. This command is intended for use with bulk sequential data transfers where the memory system and the requesting master might gain some performance advantage by reading up to a cache line boundary rather than a single memory cycle. The Read Line Mode function in the LSI53C810A takes advantage of the PCI 2.1 specification regarding issuing this command. The functionality of the Enable Read Line bit (bit 3 in [DMA Mode \(DMODE\)](#)) resembles the Write and Invalidate mode in terms of conditions that must be met before a Read Line command is issued. However, the Read Line option operates exactly like the previous LSI53C8XX chips when cache mode has been disabled by a CLSE bit reset or when certain conditions exist in the chip (explained below).

The Read Line mode is enabled by setting bit 3 in the [DMA Mode \(DMODE\)](#) register. If cache mode is disabled, Read Line commands are issued on every read data transfer, except opcode fetches.



If cache mode is enabled, a Read Line command is issued on all read cycles, except opcode fetches, when the following conditions are met:

- The CLSE (Cache Line Size Enable, bit 7, [DMA Control \(DCNTL\)](#) register) and ERL (Enable Read Line, bit 3, [DMA Mode \(DMODE\)](#) register) bits are set.
- The [Cache Line Size](#) register must contain a legal burst size value (2, 4, 8 or 16) and that value is less than or equal to the [DMA Mode \(DMODE\)](#) burst size.
- The number of bytes to be transferred at the time a cache boundary is reached must be equal to or greater than a full cache line size.
- The chip is aligned to a cache line boundary.

When these conditions are met, the chip issues a Read Line command instead of a Memory Read during all PCI read cycles. Otherwise, it issues a normal Memory Read command.

### 3.2.4 Memory Read Multiple Command

This command is identical to the Memory Read command except that it additionally indicates that the master may intend to fetch more than one cache line before disconnecting. The LSI53C810A supports PCI Read Multiple functionality and issues Read Multiple commands on the PCI bus when the Read Multiple Mode is enabled. This mode is enabled by setting bit 2 (ERMP) of the [DMA Mode \(DMODE\)](#) register. The command is issued when certain conditions are met.

If cache mode is enabled, a Read Multiple command is issued on all read cycles, except opcode fetches, when the following conditions are met:

1. The CLSE bit (Cache Line Size Enable, bit 7, [DMA Control \(DCNTL\)](#) register) and the ERMP bit (Enable Read Multiple, bit 2, [DMA Mode \(DMODE\)](#) register) are set.
2. The [Cache Line Size](#) register contains a legal burst size value (2, 4, 8 or 16) and that value is less than or equal to the [DMA Mode \(DMODE\)](#) burst size.
3. The number of bytes to be transferred at the time a cache boundary is reached is equal to or greater than the [DMA Mode \(DMODE\)](#) burst size.
4. The chip is aligned to a cache line boundary.

When these conditions are met, the chip issues a Read Multiple command instead of a Memory Read during all PCI read cycles.

**Burst Size Selection** – The Read Multiple command reads in multiple cache lines of data in a single bus ownership. The number of cache lines to read is determined by the [DMA Mode \(DMODE\)](#) burst size bits. In other words, the chip switches its normal operating burst size to reflect the [DMA Mode \(DMODE\)](#) burst size settings for the Read Multiple command. For example, if the cache line size is 4, and the [DMA Mode \(DMODE\)](#) burst size is 16, the chip switches the current burst size from 4 to 16, and issues a Read Multiple. After the transfer, the chip switches the burst size back to the normal operating burst size of 4.

**Read Multiple with Read Line Enabled** – When both the Read Multiple and Read Line modes are enabled, the Read Line command is not issued if the above conditions are met. Instead, a Read Multiple command is issued, even though the conditions for Read Line are met.

If the Read Multiple mode is enabled and the Read Line mode is disabled, Read Multiple commands are issued if the Read Multiple conditions are met.

### 3.2.5 Unsupported PCI Commands

The LSI53C810A does not respond to reserved commands, special cycle, dual address cycle, or interrupt acknowledge commands as a slave. It never generates these commands as a master.

PCI bus commands and encoding types appear in [Table 3.1](#).

**Table 3.1 PCI Bus Commands and Encoding Types**

C_BE[3:0]	Command Type	Supported as Master	Supported as Slave
0b0000	Interrupt Acknowledge	No	No
0b0001	Special Cycle	No	No
0b0010	I/O Read	Yes	Yes
0b0011	I/O Write	Yes	Yes
0b0100	Reserved	N/A	N/A
0b0101	Reserved	N/A	N/A
0b0110	Memory Read	Yes	Yes
0b0111	Memory Write	Yes	Yes
0b1000	Reserved	N/A	N/A
0b1001	Reserved	N/A	N/A
0b1010	Configuration Read	No	Yes
0b1011	Configuration Write	No	Yes
0b1100	Memory Read Multiple	Yes	No (defaults to 0110)
0b1101	Dual Address Cycle (DAC)	No	No
0b1110	Memory Read Line	Yes	No (defaults to 0110)
0b1111	Memory Write and Invalidate	Yes	No (defaults to 0111)

---

### 3.3 Configuration Registers

The Configuration registers are accessible only by system BIOS during PCI configuration cycles, and are not available to the user at any time. No other cycles, including SCRIPTS operations, can access these registers.

The lower 128 bytes hold configuration data while the upper 128 bytes hold the LSI53C810A operating registers, which are described in [Chapter 5, "Operating Registers."](#) The operating registers can be accessed by SCRIPTS or the host processor.

**Note:** The configuration register descriptions are provided for general information only, to indicate which PCI configuration addresses are supported in the LSI53C810A.

For detailed information, refer to the PCI Specification.

All PCI-compliant devices, such as the LSI53C810A, must support the [Vendor ID](#), [Device ID](#), [Command](#), and [Status](#) registers. Support of other PCI-compliant registers is optional. In the LSI53C810A, registers that are not supported are not writable and return all zeros when read. Only those registers and bits that are currently supported by the LSI53C810A are described in this chapter.

[Table 3.2](#) contains a list of the PCI configuration registers supported in the LSI53C810A. Addresses 0x40 through 0x7F are not defined.

**Table 3.2 PCI Configuration Register Map**

31	16 15	0
Device ID	Vendor ID	0x00
Status	Command	0x04
Class Code		Revision ID
Not Supported	Header Type	Latency Timer
Cache Line Size		0x0C
Base Address Zero (I/O) <sup>1</sup>		0x10
Base Address One (Memory) <sup>2</sup>		0x14
Not Supported		0x18
Not Supported		0x1C
Not Supported		0x20
Not Supported		0x24
Reserved		0x28
Reserved		0x2C
Reserved		0x30
Reserved		0x34
Reserved		0x38
Max_Lat	Min_Gnt	Interrupt Pin
Interrupt Line		0x3C

1. I/O Base is supported.

2. Memory Base is supported.

Note: Addresses 0x40 to 0x7F are not defined. All unsupported registers are not writable and return all zeros when read. Reserved registers also return zeros when read.

**Register: 0x00****Vendor ID****Read Only**

15															0
VID															
1	1	1	1	0	0	0	0	0	0	0	0	0	0	0	0

**VID** **Vendor ID** **[15:0]**

This field identifies the manufacturer of the device. The Vendor ID is 0x1000.

**Register: 0x02****Device ID****Read Only**

15															0
DID															
0	0	0	0	0	0	0	0	0	0	0	0	0	0	0	0

**DID** **Device ID** **[15:0]**

This field identifies the particular device. The LSI53C810A device ID is 0x0001.

**Register: 0x04****Command****Read/Write**

15							9	8	7	6	5	4	3	2	1	0
R							SE	R	EPER	R	WIE	R	EBM	EMS	EIS	
0	0	0	0	0	0	0	0	0	0	0	0	0	0	0	0	0

The Command register provides coarse control over a device's ability to generate and respond to PCI cycles. When a zero is written to this register, the LSI53C810A is logically disconnected from the PCI bus for all accesses except configuration accesses.

In the LSI53C810A, bits 3, 5, 7, and 9 are not implemented. Bits 10 through 15 are reserved.

<b>R</b>	<b>Reserved</b>	<b>[15:9]</b>
<b>SE</b>	<b>SERR/ Enable</b> This bit enables the SERR/ driver. SERR/ is disabled when this bit is cleared. The default value of this bit is zero. This bit and bit 6 must be set to report address parity errors.	<b>8</b>
<b>R</b>	<b>Reserved</b>	<b>7</b>
<b>EPER</b>	<b>Enable Parity Error Response</b> This bit allows the LSI53C810A to detect parity errors on the PCI bus and report these errors to the system. Only data parity checking is enabled. The LSI53C810A always generates parity for the PCI bus.	<b>6</b>
<b>R</b>	<b>Reserved</b>	<b>5</b>
<b>WIE</b>	<b>Write and Invalidate Mode</b> This bit, when set, will cause Memory Write and Invalidate cycles to be issued on the PCI bus after certain conditions have been met. For more information on these conditions, refer to <a href="#">Section 3.2.3.2, "Memory Write and Invalidate Command."</a> To enable Write and Invalidate Mode, bit 0 in the <a href="#">Chip Test Three (CTEST3)</a> register (operating registers) must also be set.	<b>4</b>
<b>R</b>	<b>Reserved</b>	<b>3</b>
<b>EBM</b>	<b>Enable Bus Mastering</b> This bit controls the ability of the LSI53C810y to act as a master on the PCI bus. A value of zero disables the device from generating PCI bus master accesses. A value of one allows the LSI53C810A to behave as a bus master. The LSI53C810A must be a bus master in order to fetch SCRIPTS instructions and transfer data.	<b>2</b>
<b>EMS</b>	<b>Enable Memory Space</b> This bit controls the ability of the LSI53C810A to respond to Memory Space accesses. A value of zero disables the device response. A value of one allows the LSI53C810A to respond to Memory Space accesses at the address specified by <a href="#">Base Address One (Memory)</a> .	<b>1</b>

**EIS**                      **Enable I/O Space**                      **0**

This bit controls the LSI53C810A's response to I/O space accesses. A value of zero disables the response. A value of one allows the LSI53C810A to respond to I/O space accesses at the address specified in [Base Address Zero \(I/O\)](#).

**Register: 0x06**  
**Status**  
**Read/Write**

15	14	13	12	11	10	9	8	7								0
DPE	SSE	RMA	RTA	R	DT[1:0]		DPR	R								
0	0	0	0	0	0	0	0	0	0	0	0	0	0	0	0	0

The Status register is used to record status information for PCI bus-related events.

In the LSI53C810A, bits 0 through 4 are reserved and bits 5, 6, 7, and 11 are not implemented.

Reads to this register behave normally. Writes are slightly different in that bits can be cleared, but not set. A bit is cleared whenever the register is written, and the data in the corresponding bit location is a one. For instance, to clear bit 15 and not affect any other bits, write the value 0x8000 to the register.

- DPE**                      **Detected Parity Error (from Slave)**                      **15**  
This bit is set by the LSI53C810A whenever it detects a data parity error, even if parity error handling is disabled.
- SSE**                      **Signaled System Error**                      **14**  
This bit is set whenever a device asserts the SERR/ signal.
- RMA**                      **Master Abort (from Master)**                      **13**  
A master device should set this bit whenever its transaction (except for Special Cycle) is terminated with master-abort. All master devices should implement this bit.

<b>RTA</b>	<b>Received Target Abort (from Master)</b>	<b>12</b>
	A master device should set this bit whenever its transaction is terminated with a target abort. All master devices should implement this bit.	
<b>R</b>	<b>Reserved</b>	<b>11</b>
<b>DT[1:0]</b>	<b>DEVSEL/ Timing</b>	<b>[10:9]</b>
	These bits encode the timing of DEVSEL/.	
	<hr/>	
	0b00	Fast
	0b01	Medium
	0b10	Slow
	0b11	Reserved
	<hr/>	
	These bits are read only and should indicate the slowest time that a device asserts DEVSEL/ for any bus command except Configuration Read and Configuration Write. The LSI53C810A supports 0b01.	
<b>DPR</b>	<b>Data Parity Reported</b>	<b>8</b>
	This bit is set when the following three conditions are met:	
	<ul style="list-style-type: none"> <li>• The bus agent asserted PERR/ itself or observed PERR/ asserted.</li> <li>• The agent setting this bit acted as the bus master for the operation in which the error occurred.</li> <li>• The Parity Error Response bit in the Command register is set.</li> </ul>	
<b>R</b>	<b>Reserved</b>	<b>[7:0]</b>



## Register: 0x08

Revision ID

Read Only

7									0
RID									
LSI53C810A									
0	0	1	0	0	1	1	0		
LSI53C810									
0	0	0	1	0	1	0	0		

RID

Revision ID

[7:0]

This register specifies device and revision identifiers. In the LSI53C810A, the upper nibble is 0001b. The lower nibble represents the current revision level of the device. It should have the same value as the Chip Revision Level bits in the [Chip Test Three \(CTEST3\)](#) register.

## Register: 0x09

Class Code

Read Only

23																									0	
CC																										
0	0	0	0	1	1	1	1	0	0	0	0	0	0	0	0	0	0	0	0	0	0	0	0	0	0	0

CC

Class Code

[23:0]

This register is used to identify the generic function of the device. The upper byte of this register is a base class code, the middle byte is a subclass code, and the lower byte identifies a specific register level programming interface. The value of this register is 0x010000, which indicates a SCSI controller.

**Register: 0x0C**  
**Cache Line Size**  
 Read/Write

7								0
CLS								
0	0	0	0	0	0	0	0	

**CLS** **Cache Line Size** **[7:0]**

This register specifies the system cache line size in units of 32-bit words. Cache mode is enabled and disabled by the Cache Line Size Enable (CLSE) bit, bit 7 in the [DMA Control \(DCNTL\)](#) register. Setting this bit causes the LSI53C810A to align to cache line boundaries before allowing any bursting, except during MMOVs in which the read and write addresses are Burst Size boundary misaligned. For more information see [Section 3.2.1, “Support for PCI Cache Line Size Register,”](#) page 3-3.

**Register: 0x0D**  
**Latency Timer**  
 Read/Write

7								0
LT								
0	0	0	0	0	0	0	0	

**LT** **Latency Timer** **[7:0]**

The Latency Timer register specifies, in units of PCI bus clocks, the value of the Latency Timer for this PCI bus master. The LSI53C810A supports this timer. All eight bits are writable, allowing latency values of 0–255 PCI clocks. Use the following equation to calculate an optimum latency value for the LSI53C810A:  
 Latency = 2 + (Burst Size \* (typical wait states + 1))  
 Values greater than optimum are also acceptable.



## Register: 0x3C

### Interrupt Line

Read/Write

7								0
IL								
0	0	0	0	0	0	0	0	

#### IL Interrupt Line [7:0]

This register is used to communicate interrupt line routing information. POST software writes the routing information into this register as it initiates and configures the system. The value in this register tells which input of the system interrupt controller(s) the device's interrupt pin is connected to. Values in this register are specified by system architecture.

## Register: 0x3D

### Interrupt Pin

Read Only

7								0
IP								
0	0	0	0	0	0	0	1	

#### IP Interrupt Pin [7:0]

This register indicates which interrupt pin the device uses. Its value is set to 0x01, for the INTA/ signal.

### Register: 0x3E

Min\_Gnt

Read Only

7								0
MG								
0	0	0	1	0	0	0	1	

**MG**

**Min\_Gnt**

**[7:0]**

This register is used to specify the desired settings for Latency Timer values. Min\_Gnt is used to specify how long a burst period the device needs. The value specified in this register is in units of 0.25 microseconds. Values of zero indicate that the device has no major requirements for the settings of Latency Timers. The LSI53C810A sets the Min\_Gnt register to 0x11.

### Register: 0x3F

Max\_Lat

Read Only

7								0
ML								
0	1	0	0	0	0	0	0	

**ML**

**Max\_Lat**

**[7:0]**

This register is used to specify the desired settings for Latency Timer values. Max\_Lat is used to specify how often the device needs to gain access to the PCI bus. The value specified in these registers is in units of 0.25 microseconds. Values of zero indicate that the device has no major requirements for the settings of Latency Timers. The LSI53C810A sets the Max\_Lat register to 0x40.



# Chapter 4

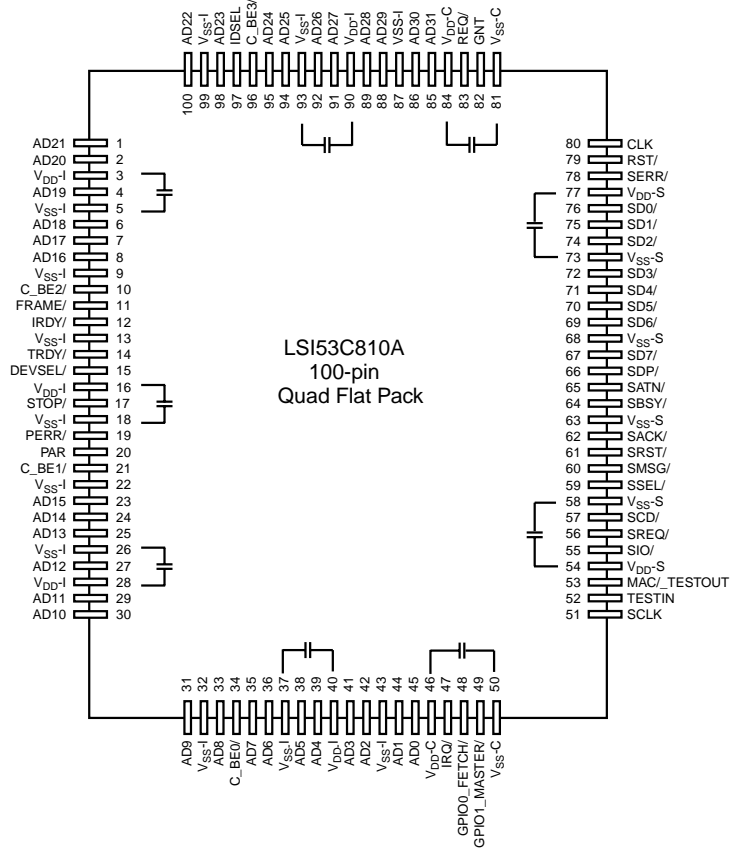
## Signal Descriptions

---

This chapter presents the LSI53C810A pin configuration and signal definitions using tables and illustrations. [Figure 4.1](#) is the pin diagram and [Figure 4.2](#) is a functional signal grouping. The pin definitions are presented in [Table 4.1](#) through [Table 4.8](#). The LSI53C810A is pin-for-pin compatible with the LSI53C810. This chapter is divided into the following sections:

- [Section 4.1, "PCI Bus Interface Signals"](#)
- [Section 4.2, "SCSI Bus Interface Signals"](#)

**Figure 4.1 LSI53C810A Pin Diagram**



A slash (/) at the end of the signal name indicates that the active state occurs when the signal is at a LOW voltage. When the slash is absent, the signal is active at a HIGH voltage.



Signals are assigned a type. There are four signal types:

- I** Input, a standard input only signal.
- O** Output, a standard output driver (typically a Totem Pole Output).
- T/S** 3-state, a bidirectional, 3-state input/output signal.
- S/T/S** Sustained 3-state, an active LOW 3-state signal owned and driven by one and only one agent at a time.

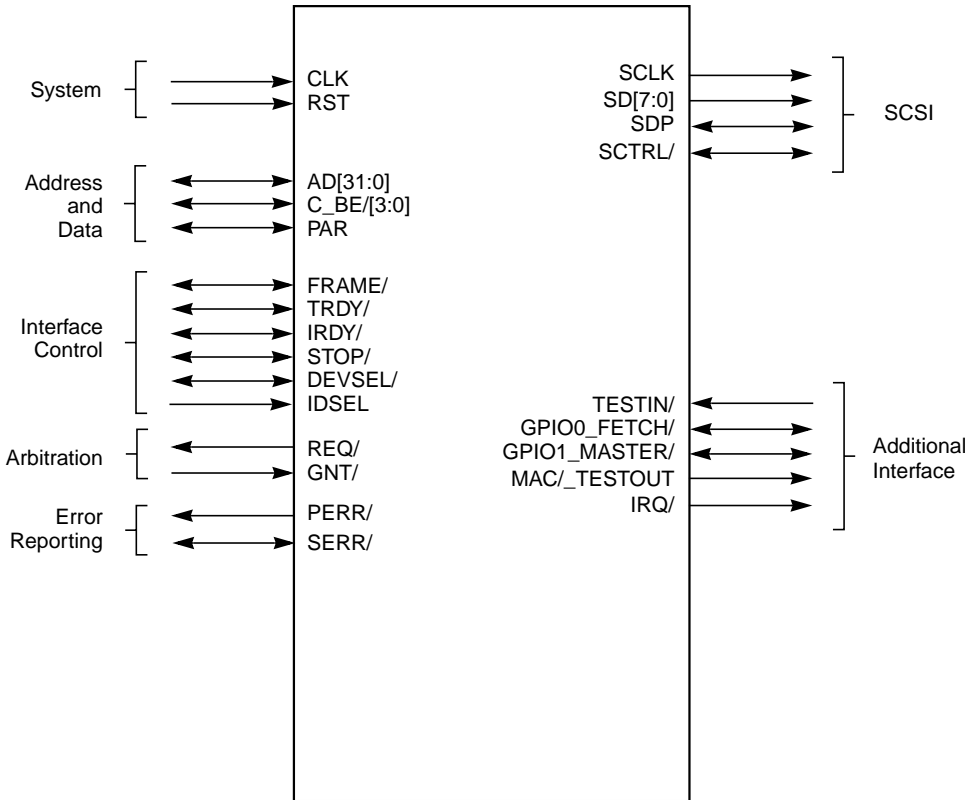
Table 4.1 describes the Power and Ground Signals group.

**Table 4.1 Power and Ground Signals**

Name	Pin No.	Description
$V_{SS-I}$	5, 9, 13, 18, 22, 26, 32, 37, 43, 87, 93, 99	Power supplies to the PCI I/O pins.
$V_{DD-I}^1$	3, 16, 28, 40, 90	Power supplies to the PCI I/O pins.
$V_{SS-S}$	58, 63, 68, 73	Power supplies to the SCSI bus I/O pins.
$V_{DD-S}$	54, 77	Power supplies to the SCSI bus I/O pins.
$V_{SS-C}$	50, 81	Power supplies to the internal logic core.
$V_{DD-C}$	46, 84	Power supplies to the internal logic core.

1. These pins can accept a  $V_{DD}$  source of 3.3 or 5 V. All other  $V_{DD}$  pins must be supplied 5 V.

**Figure 4.2 Functional Signal Grouping**



---

## 4.1 PCI Bus Interface Signals

The PCI signal definitions are organized into the following functional groups: [Power and Ground Signals](#), [System Signals](#), [Address and Data Signals](#), [Interface Control Signals](#), [Arbitration Signals](#), and [Error Reporting Signals](#).

### 4.1.1 System Signals

[Table 4.2](#) describes the System Signals group.

**Table 4.2 System Signals**

Name	Pin No.	Type	Description
CLK	80	I	<b>Clock</b> provides timing for all transactions on the PCI bus and is an input to every PCI device. All other PCI signals are sampled on the rising edge of CLK, and other timing parameters are defined with respect to this edge. Clock can optionally serve as the SCSI core clock, but this may effect fast SCSI transfer rates.
RST/	79	I	<b>Reset</b> forces the PCI sequencer of each device to a known state. All T/S and S/T/S signals are forced to a high impedance state, and all internal logic is reset. The RST/ input is synchronized internally to the rising edge of CLK. The CLK input must be active while RST/ is active to properly reset the device.

## 4.1.2 Address and Data Signals

Table 4.3 describes the Address and Data Signals group.

**Table 4.3 Address and Data Signals**

Name	Pin No.	Type	Description
AD[31:0]	85, 86, 88, 89, 91, 92, 94, 95, 98, 100, 1, 2, 4, 6, 7, 8, 23, 24, 25, 27, 29, 30, 31, 33, 35, 36, 38, 39, 41, 42, 44, 45	T/S	Physical Dword <b>Address and Data</b> are multiplexed on the same PCI pins. During the first clock of a transaction, AD[31:0] contain a physical byte address. During subsequent clocks, AD[31:0] contain data. A bus transaction consists of an address phase followed by one or more data phases. PCI supports both read and write bursts. AD[7:0] define the least significant byte, and AD[31:24] define the most significant byte.
C_BE/[3:0]	96, 10, 21, 34	T/S	Bus <b>Command and Byte Enables</b> are multiplexed on the same PCI pins. During the address phase of a transaction, C_BE/[3:0] define the bus command. During the data phase, C_BE/[3:0] are used as byte enables. The byte enables determine which byte lanes carry meaningful data. C_BE/[0] applies to byte 0, and C_BE/[3] to byte 3.
PAR	20	T/S	<b>Parity</b> is the even parity bit that protects the AD[31:0] and C_BE/[3:0] lines. During address phase, both the address and command bits are covered. During data phase, both data and byte enables are covered.

### 4.1.3 Interface Control Signals

Table 4.4 describes the Interface Control Signals group.

**Table 4.4 Interface Control Signals**

Name	Pin No.	Type	Description
FRAME/	11	S/T/S	<b>Cycle Frame</b> is driven by the current master to indicate the beginning and duration of an access. FRAME/ is asserted to indicate that a bus transaction is beginning. While FRAME/ is asserted, data transfers continue. While FRAME/ is deasserted, either the transaction is in the final data phase or the bus is idle.
TRDY/	14	S/T/S	<b>Target Ready</b> indicates the target agent's (selected device's) ability to complete the current data phase of the transaction. TRDY/ is used with IRDY/. A data phase is completed on any clock when used with IRDY/. A data phase is completed on any clock when both TRDY/ and IRDY/ are sampled asserted. During a read, TRDY/ indicates that valid data is present on AD[31:0]. During a write, it indicates that the target is prepared to accept data. Wait cycles are inserted until both IRDY/ and TRDY/ are asserted together.
IRDY/	12	S/T/S	<b>Initiator Ready</b> indicates the initiating agent's (bus master's) ability to complete the current data phase of the transaction. IRDY/ is used with TRDY/. A data phase is completed on any clock when both IRDY/ and TRDY/ are sampled asserted. During a write, IRDY/ indicates that valid data is present on AD[31:0]. During a read, it indicates that the master is prepared to accept data. Wait cycles are inserted until both IRDY/ and TRDY/ are asserted together.
STOP/	17	S/T/S	<b>Stop</b> indicates that the selected target is requesting the master to stop the current transaction.
DEVSEL/	15	S/T/S	<b>Device Select</b> indicates that the driving device has decoded its address as the target of the current access. As an input, it indicates to a master whether any device on the bus has been selected.
IDSEL	97	I	<b>Initialization Device Select</b> is used as a chip select in place of the upper 24 address lines during configuration read and write transactions.

## 4.1.4 Arbitration Signals

Table 4.5 describes the Arbitration Signals group.

**Table 4.5 Arbitration Signals**

Name	Pin No.	Type	Strength	Description
REQ/	200, A4	O	16 mA PCI	<b>Request</b> indicates to the system arbiter that this agent desires use of the PCI bus. This is a point-to-point signal. Every master has its own REQ/ signal.
GNT/	199, B5	I	N/A	<b>Grant</b> indicates to the agent that access to the PCI bus has been granted. This is a point-to-point signal. Every master has its own GNT/ signal.

## 4.1.5 Error Reporting Signals

Table 4.6 describes the Error Reporting Signals group.

**Table 4.6 Error Reporting Signals**

Name	Pin No.	Type	Description
PERR/	19	S/T/S	<b>Parity Error</b> may be pulsed active by an agent that detects a data parity error. PERR/ can be used by any agent to signal data corruption. However, on detection of a PERR/ pulse, the central resource may generate a nonmaskable interrupt to the host CPU, which often implies the system is unable to continue operation once error processing is complete.
SERR/	78	O	<b>System Error</b> is an open drain output used to report address parity errors.

---

## 4.2 SCSI Bus Interface Signals

The SCSI signal definitions are organized into the following functional groups: [SCSI Bus Interface Signals](#) and [Additional Interface Signals](#).

### 4.2.1 SCSI Bus Interface Signals

[Table 4.7](#) describes the SCSI Bus Interface Signals group.

**Table 4.7 SCSI Bus Interface Signals**

Name	Pin No.	Type	Description
SCLK	51	I	<b>SCSI Clock</b> is used to derive all SCSI-related timings. The speed of this clock is determined by the application requirements. In some applications, SCLK may be sourced internally from the PCI bus clock (CLK). If SCLK is internally sourced, tie the SCLK pin LOW.
SD[7:0], SDP	67, 69, 70, 71, 72, 74, 75, 76, 66	I/O	<b>SCSI Data</b> includes the following data lines and parity signals: SD[7:0] (8-bit SCSI data bus), and SDP (SCSI data parity bit).
SCTRL/	57, 55, 60, 56, 62, 64, 65, 61, 59	I/O	<b>SCSI Control</b> includes the following signals: <b>SCD/</b> SCSI phase line, command/data <b>SIO/</b> SCSI phase line, input/output <b>SMSG/</b> SCSI phase line, message <b>SREQ/</b> Data handshake signal from target device <b>SACK/</b> Data handshake signal from initiator device <b>SBSY/</b> SCSI bus arbitration signal, busy <b>SATN/</b> SCSI Attention, the initiator is requesting a message out phase <b>SRST/</b> SCSI bus reset <b>SSEL/</b> SCSI bus arbitration signal, select device

## 4.2.2 Additional Interface Signals

Table 4.8 describes the Additional Interface Signals group.

**Table 4.8 Additional Interface Signals**

Name	Pin No.	Type	Description
TESTIN/	52	I	<b>Test In.</b> When this pin is driven LOW, the LSI53C810A connects all inputs and outputs to an “AND tree.” The SCSI control signals and data lines are not connected to the “AND tree.” The output of the “AND tree” is connected to the Test Out pin. This allows manufacturers to verify chip connectivity and determine exactly which pins are not properly attached. When the TESTIN pin is driven LOW, internal pull-ups are enabled on all input, output, and bidirectional pins, all outputs and bidirectional signals will be 3-stated, and the MAC/_TESTOUT pin will be enabled. Connectivity can be tested by driving one of the LSI53C810A pins LOW. The MAC/_TESTOUT pin should respond by also driving LOW.
GPIO0_FETCH/	48	I/O	<b>General Purpose I/O</b> pin. Optionally, when driven LOW, this pin indicates that the next bus request will be for an opcode fetch. This pin powers up as a general purpose input. This pin has two specific purposes in the LSI Logic SDMS software. SDMS software uses it to toggle SCSI device LEDs, turning on the LED whenever the LSI53C810A is on the SCSI bus. SDMS software drives this pin LOW to turn on the LED, or drives it HIGH to turn off the LED. This signal can also be used as data I/O for serial EEPROM access. In this case it is used with the GPIO0 pin, which serves as a clock, and the pin can be controlled from PCI configuration register 0x35 or observed from the <a href="#">General Purpose (GPREG)</a> operating register, at address 0x07.
GPIO1_MASTER/	49	I/O	<b>General Purpose I/O</b> pin. Optionally, when driven LOW, indicates that the LSI53C810A is bus master. This pin powers up as a general purpose input. LSI Logic SDMS software supports use of this signal in serial EEPROM applications, when enabled, in combination with the GPIO0 pin. When this signal is used as a clock for serial EEPROM access, the GPIO1 pin serves as data, and the pin is controlled from PCI configuration register 0x35.



**Table 4.8 Additional Interface Signals (Cont.)**

Name	Pin No.	Type	Description
MAC/_ TESTOUT	53	T/S	<b>Memory Access Control.</b> This pin can be programmed to indicate local or system memory accesses (non-PCI applications). It is also used to test the connectivity of the LSI53C810A signals using an “AND tree” scheme. The MAC/_TESTOUT pin is only driven as the Test Out function when the TESTIN/ pin is driven LOW.
IRQ/	47	O	<b>Interrupt.</b> This signal, when asserted LOW, indicates that an interrupting condition has occurred and that service is required from the host CPU. The output drive of this pin is programmed as either open drain with an internal weak pull-up or, optionally, as a totem pole driver. Refer to the description of <a href="#">DMA Control (DCNTL)</a> register, bit 3, for additional information.



# Chapter 5

## Operating Registers

---

This chapter describes all LSI53C810A operating registers. [Table 5.1](#), the register map, lists registers by operating and configuration addresses. The terms “set” and “assert” are used to refer to bits that are programmed to a binary one. Similarly, the terms “deassert,” “clear,” and “reset” are used to refer to bits that are programmed to a binary zero. Any bits marked as reserved should always be written to zero; mask all information read from them. Reserved bit functions may be changed at any time. Unless otherwise indicated, all bits in registers are active high, that is, the feature is enabled by setting the bit. The bottom row of every register diagram shows the default register values, which are enabled after the chip is powered on or reset.

**Note:** The only register that the host CPU can access while the LSI53C810A is executing SCRIPTS is the [Interrupt Status \(ISTAT\)](#) register. Attempts to access other registers interferes with the operation of the chip. However, all operating registers are accessible with SCRIPTS. All read data is synchronized and stable when presented to the PCI bus.

The LSI53C810A cannot fetch SCRIPTS instructions from the operating register space. Fetch instructions from system memory.

**Figure 5.1 Register Address Map**

31		16 15		0		Mem I/O	Config
SCNTL3	SCNTL2	SCNTL1	SCNTL0	0x00	0x80		
GPREG	SDID	SXFER	SCID	0x04	0x84		
SBCL	SSID	SOCL	SFBR	0x08	0x88		
SSTAT2	SSTAT1	SSTAT0	DSTAT	0x0C	0x8C		
DSA				0x10	0x90		
Reserved			ISTAT	0x14	0x94		
CTEST3	CTEST2	CTEST1	Reserved	0x18	0x98		
TEMP				0x1C	0x9C		
CTEST6	CTEST5	CTEST4	DFIFO	0x20	0xA0		
DCMD	DBC			0x24	0xA4		
DNAD				0x28	0xA8		
DSP				0x2C	0xAC		
DSPS				0x30	0xB0		
SCRATCH A				0x34	0xB4		
DCNTL	SBR	DIEN	DMODE	0x38	0xB8		
ADDER				0x3C	0xBC		
SIST1	SIST0	SIEN1	SIEN0	0x40	0xC0		
GPCNTL	MACNTL	Reserved	SLPAR	0x44	0xC4		
Reserved	RESPID	STIME1	STIME0	0x48	0xC8		
STEST3	STEST2	STEST1	STEST0	0x4C	0xCC		
Reserved		SIDL		0x50	0xD0		
Reserved		SODL		0x54	0xD4		
Reserved		SBDL		0x58	0xD8		
SCRATCH B				0x5C	0xDC		

**Register: 0x00 (0x80)**  
**SCSI Control Zero (SCNTL0)**  
**Read/Write**

7	6	5	4	3	2	1	0
ARB[1:0]		START	WATN	EPC	R	AAP	TRG
1	1	0	0	0	x	0	0

ARB1	ARB0	Arbitration Mode
0	0	Simple arbitration
0	1	Reserved
1	0	Reserved
1	1	Full arbitration, selection/reselection

### Simple Arbitration

1. The LSI53C810A waits for a bus free condition to occur.
2. It asserts SBSY/ and its SCSI ID (contained in the [SCSI Chip ID \(SCID\)](#) register) onto the SCSI bus. If the SSEL/ signal is asserted by another SCSI device, the LSI53C810A deasserts SBSY/, deasserts its ID, and sets the Lost Arbitration bit (bit 3) in the [SCSI Status Zero \(SSTAT0\)](#) register.
3. After an arbitration delay, the CPU should read the [SCSI Bus Data Lines \(SBDL\)](#) register to check if a higher priority SCSI ID is present. If no higher priority ID bit is set, and the Lost Arbitration bit is not set, the LSI53C810A wins arbitration.
4. Once the LSI53C810A wins arbitration, SSEL/ must be asserted using the [SCSI Output Control Latch \(SOCL\)](#) for a bus clear plus a bus settle delay (1.2  $\mu$ s) before a low level selection is performed.

### Full Arbitration, Selection/Reselection

1. The LSI53C810A waits for a bus free condition.
2. It asserts SBSY/ and its SCSI ID (the highest priority ID stored in the [SCSI Chip ID \(SCID\)](#) register) onto the SCSI bus.
3. If the SSEL/ signal is asserted by another SCSI device or if the LSI53C810A detects a higher priority ID, the LSI53C810A deasserts BSY, deasserts its ID, and waits until the next bus free state to try arbitration again.

4. The LSI53C810A repeats arbitration until it wins control of the SCSI bus. When it wins, the Won Arbitration bit is set in the [SCSI Status Zero \(SSTAT0\)](#) register, bit 2.
5. The LSI53C810A performs selection by asserting the following onto the SCSI bus: SSEL/, the target's ID (stored in the [SCSI Destination ID \(SDID\)](#) register), and the LSI53C810A's ID (stored in the [SCSI Chip ID \(SCID\)](#) register).
6. After a selection is complete, the Function Complete bit is set in the [SCSI Interrupt Status Zero \(SIST0\)](#) register, bit 6.
7. If a selection time-out occurs, the Selection Time-Out bit is set in the [SCSI Interrupt Status One \(SIST1\)](#) register, bit 2.

## **START**

### **Start Sequence**

**5**

When this bit is set, the LSI53C810A starts the arbitration sequence indicated by the Arbitration Mode bits. The Start Sequence bit is accessed directly in low level mode; during SCSI SCRIPTS operations, this bit is controlled by the SCRIPTS processor. Do not start an arbitration sequence if the connected (CON) bit in the [SCSI Control One \(SCNTL1\)](#) register, bit 4, indicates that the LSI53C810A is already connected to the SCSI bus. This bit is automatically cleared when the arbitration sequence is complete. If a sequence is aborted, check bit 4 in the [SCSI Control One \(SCNTL1\)](#) register to verify that the LSI53C810A is not connected to the SCSI bus.

## **WATN**

### **Select with SATN/ on a Start Sequence**

**4**

When this bit is set and the LSI53C810A is in the initiator mode, the SATN/ signal is asserted during selection of a SCSI target device. This is to inform the target that the LSI53C810A has a message to send. If a selection time-out occurs while attempting to select a target device, SATN/ is deasserted at the same time SSEL/ is deasserted. When this bit is cleared, the SATN/ signal is not asserted during selection. When executing SCSI SCRIPTS, this bit is controlled by the SCRIPTS processor, but manual setting is possible in low level mode.

<b>EPC</b>	<b>Enable Parity Checking</b>	<b>3</b>
	<p>When this bit is set, the SCSI data bus is checked for odd parity when data is received from the SCSI bus in either the initiator or target mode. If a parity error is detected, bit 0 of the <a href="#">SCSI Interrupt Status Zero (SIST0)</a> register is set and an interrupt may be generated.</p> <p>If the LSI53C810A is operating in the initiator mode and a parity error is detected, assertion of SATN/ is optional, but the transfer continues until the target changes phase. When this bit is cleared, parity errors are not reported.</p>	
<b>R</b>	<b>Reserved</b>	<b>2</b>
<b>AAP</b>	<b>Assert SATN/ on Parity Error</b>	<b>1</b>
	<p>When this bit is set, the LSI53C810A automatically asserts the SATN/ signal upon detection of a parity error. SATN/ is only asserted in the initiator mode. The SATN/ signal is asserted before deasserting SACK/ during the byte transfer with the parity error. Also set the Enable Parity Checking bit for the LSI53C810A to assert SATN/ in this manner. A parity error is detected on data received from the SCSI bus.</p> <p>If the Assert SATN/ on Parity Error bit is cleared or the Enable Parity Checking bit is cleared, SATN/ is not automatically asserted on the SCSI bus when a parity error is received.</p>	
<b>TRG</b>	<b>Target Mode</b>	<b>0</b>
	<p>This bit determines the default operating mode of the LSI53C810A. The user must manually set the target or initiator mode. This is done using the SCRIPTS language (<code>SET TARGET</code> or <code>CLEAR TARGET</code>). When this bit is set, the chip is a target device by default. When this bit is cleared, the LSI53C810A is an initiator device by default.</p> <p><u>Note:</u> Writing this bit while not connected may cause the loss of a selection or reselection due to the changing of target or initiator modes.</p>	

**Register: 0x01 (0x81)**  
**SCSI Control One (SCNTL1)**  
**Read/Write**

7	6	5	4	3	2	1	0
EXC	ADB	DHP	CON	RST	AESP	IARB	SST
0	0	0	0	0	0	0	0

- EXC**                      **Extra Clock Cycle of Data Setup**                      **7**  
When this bit is set, an extra clock period of data setup is added to each SCSI data transfer. The extra data setup time can provide additional system design margin, though it affects the SCSI transfer rates. Clearing this bit disables the extra clock cycle of data setup time. Setting this bit only affects SCSI send operations.
- ADB**                      **Assert SCSI Data Bus**                      **6**  
When this bit is set, the LSI53C810A drives the contents of the [SCSI Output Data Latch \(SODL\)](#) register onto the SCSI data bus. When the LSI53C810A is an initiator, the SCSI I/O signal must be inactive to assert the [SCSI Output Data Latch \(SODL\)](#) contents onto the SCSI bus. When the LSI53C810A is a target, the SCSI I/O signal must be active to assert the [SCSI Output Data Latch \(SODL\)](#) contents onto the SCSI bus. The contents of the [SCSI Output Data Latch \(SODL\)](#) register can be asserted at any time, even before the LSI53C810A is connected to the SCSI bus. Clear this bit when executing SCSI SCRIPTS. It is normally used only for diagnostics testing or operation in low level mode.
- DHP**                      **Disable Halt on Parity Error or ATN (Target Only)**                      **5**  
The DHP bit is only defined for target mode. When this bit is cleared, the LSI53C810A halts the SCSI data transfer when a parity error is detected or when the SATN/ signal is asserted. If SATN/ or a parity error is received in the middle of a data transfer, the LSI53C810A may transfer up to three additional bytes before halting to synchronize between internal core cells. During synchronous operation, the LSI53C810A transfers data until there are no outstanding synchronous offsets. If the LSI53C810A is receiving data, any data residing in the DMA FIFO is sent to memory before halting.



When this bit is set, the LSI53C810A does not halt the SCSI transfer when SATN/ or a parity error is received.

<b>CON</b>	<b>Connected</b>	<b>4</b>
	<p>This bit is automatically set any time the LSI53C810A is connected to the SCSI bus as an initiator or as a target. It is set after the LSI53C810A successfully completes arbitration or when it has responded to a bus-initiated selection or reselection. This bit is also set after the chip wins simple arbitration when operating in low level mode. When this bit is cleared, the LSI53C810A is not connected to the SCSI bus.</p> <p>The CPU can force a connected or disconnected condition by setting or clearing this bit. This feature is used primarily during loopback mode.</p>	
<b>RST</b>	<b>Assert SCSI RST/ Signal</b>	<b>3</b>
	<p>Setting this bit asserts the SRST/ signal. The SRST/ output remains asserted until this bit is cleared. The 25 <math>\mu</math>s minimum assertion time defined in the SCSI specification must be timed out by the controlling microprocessor or a SCRIPTS loop.</p>	
<b>AESP</b>	<b>Assert Even SCSI Parity (force bad parity)</b>	<b>2</b>
	<p>When this bit is set, the LSI53C810A asserts even parity. It forces a SCSI parity error on each byte sent to the SCSI bus from the LSI53C810A. If parity checking is enabled, then the LSI53C810A checks data received for odd parity. This bit is used for diagnostic testing and is cleared for normal operation. It is useful to generate parity errors to test error handling functions.</p>	
<b>IARB</b>	<b>Immediate Arbitration</b>	<b>1</b>
	<p>Setting this bit causes the SCSI core to immediately begin arbitration once a Bus Free phase is detected following an expected SCSI disconnect. This bit is useful for multithreaded applications. The ARB[1:0] bits in <a href="#">SCSI Control Zero (SCNTL0)</a> register are set for full arbitration and selection before setting this bit.</p> <p>Arbitration is retried until won. At that point, the LSI53C810A holds BSY and SEL asserted, and waits for a select or reselect sequence. The Immediate Arbitration</p>	

bit is cleared automatically when the selection or reselection sequence is completed, or times out. Interrupts do not occur until after this bit is reset.

An unexpected disconnect condition clears IARB without it attempting arbitration. See the SCSI Disconnect Unexpected bit ([SCSI Control Two \(SCNTL2\)](#), bit 7) for more information on expected versus unexpected disconnects.

It is possible to abort an immediate arbitration sequence. First, set the Abort bit in the [Interrupt Status \(ISTAT\)](#) register. Then one of two things eventually happens:

- The Won Arbitration bit ([SCSI Status Zero \(SSTAT0\)](#) bit 2) will be set. In this case, the Immediate Arbitration bit needs to be cleared. This completes the abort sequence and disconnects the LSI53C810A from the SCSI bus. If it is not acceptable to go to Bus Free phase immediately following the arbitration phase, it is possible to perform a low level selection instead.
- The abort completes because the LSI53C810A loses arbitration. This is detected by clearing the Immediate Arbitration bit. Do not use the Lost Arbitration bit ([SCSI Status Zero \(SSTAT0\)](#) bit 3) to detect this condition. In this case take no further action.

## SST

### Start SCSI Transfer

0

This bit is automatically set during SCRIPTS execution, and should not be used. It causes the SCSI core to begin a SCSI transfer, including SREQ/SACK handshaking. The determination of whether the transfer is a send or receive is made according to the value written to the I/O bit in [SCSI Output Control Latch \(SOCL\)](#). This bit is self-clearing. Do not set it for low level operation.

Note: Writing to this register while not connected may cause the loss of a selection/reselection by clearing the Connected bit.

**Register: 0x02 (0x82)**  
**SCSI Control Two (SCNTL2)**  
 Read/Write

7	6						0
SDU	R						
0	x	x	x	x	x	x	x

**SDU**                      **SCSI Disconnect Unexpected**                      **7**

This bit is valid in the initiator mode only. When this bit is set, the SCSI core is not expecting the SCSI bus to enter the Bus Free phase. If it does, an unexpected disconnect error is generated (see the Unexpected Disconnect bit in the [SCSI Interrupt Status Zero \(SIST0\)](#) register, bit 2). During normal SCRIPTS mode operation, this bit is set automatically whenever the SCSI core is reselected, or successfully selects another SCSI device. The SDU bit should be cleared with a register write (move 0x07 and SCNTL2 to SCNTL2) before the SCSI core expects a disconnect to occur, normally prior to sending an Abort, Abort Tag, Bus Device Reset, Clear Queue or Release Recovery message, or before deasserting SACK/ after receiving a Disconnect command or Command Complete message.

**R**                      **Reserved**                      **[6:0]**

**Register: 0x03 (0x83)**  
**SCSI Control Three (SCNTL3)**  
 Read/Write

7	6	4		3	2	0	
R	SCF[2:0]			R	CCF[2:0]		
0	0	0	0	x	0	0	0

**R**                      **Reserved**                      **7**

**SCF[2:0]**                      **Synchronous Clock Conversion Factor**                      **[6:4]**

These bits select the factor by which the frequency of SCLK is divided before being presented to the synchronous SCSI control logic. The bit encoding is displayed in [Table 5.1](#). For synchronous receive, the output of this divider is always divided by 4 and that value

determines the transfer rate. For example, if SCLK is 40 MHz and the SCF value is set to divide by one, then the maximum synchronous receive rate is 10 Mbytes/s  $((40/1) / 4 = 10)$ .

For synchronous send, the output of this divider gets divided by the transfer period (XFERP) bits in the **SCSI Transfer (SXFER)** register, and that value determines the transfer rate. For valid combinations of the SCF and XFERP, see [Table 5.2](#).

**Table 5.1 Synchronous Clock Conversion Factor**

SCF2	SCF1	SCF0	Factor Frequency
0	0	0	SCLK/3
0	0	1	SCLK/1
0	1	0	SCLK/1.5
0	1	1	SCLK/2
1	0	0	SCLK/3
1	0	1	Reserved
1	1	0	Reserved
1	1	1	Reserved

Note: For additional information on how the synchronous transfer rate is determined, [Section 2.6.3, “Synchronous Operation,” page 2-13](#).

**R** **Reserved** **3**

**CCF[2:0]** **Clock Conversion Factor** **[2:0]**

These bits select the frequency of the SCLK for asynchronous SCSI operations. The bit encoding is displayed in [Table 5.2](#). All other combinations are reserved.

**Table 5.2 Asynchronous Clock Conversion Factor**

CCF2	CCF1	CCF0	SCSI Clock (MHz)
0	0	0	50.01–66.00
0	0	1	16.67–25.00
0	1	0	25.01–37.50
0	1	1	37.51–50.00
1	0	0	50.01–66.00
1	0	1	Reserved
1	1	0	Reserved
1	1	1	Reserved

**Register: 0x04 (0x84)**

**SCSI Chip ID (SCID)**

Read/Write

7	6	5	4	3	2	0	
R	RRE	SRE	R		ENC[2:0]		
x	0	0	0	x	0	0	0

**R** **Reserved** **7**

**RRE** **Enable Response to Reselection** **6**

When this bit is set, the LSI53C810A is enabled to respond to bus-initiated reselection at the chip ID in the [Response ID \(RESPID\)](#) register. Note that the LSI53C810A does not automatically reconfigure itself to initiator mode as a result of being reselected.

**SRE** **Enable Response to Selection** **5**

When this bit is set, the LSI53C810A is able to respond to bus-initiated selection at the chip ID in the [Response ID \(RESPID\)](#) register. Note that the LSI53C810A does not automatically reconfigure itself to target mode as a result of being selected.

**R**                      **Reserved**    **[4:3]**

**ENC[2:0]**              **Encoded LSI53C810A Chip SCSI ID**    **[2:0]**

These bits are used to store the LSI53C810A encoded SCSI ID. This is the ID which the chip asserts when arbitrating for the SCSI bus. The IDs that the LSI53C810A responds to when being selected or reselected are configured in the [Response ID \(RESPID\)](#) register. The priority of the 8 possible IDs, in descending order is:

Highest				Lowest			
7	6	5	4	3	2	1	0

**Register: 0x05 (0x85)**

**SCSI Transfer (SXFER)**

**Read/Write**

7			5		4		3		0	
TP[2:0]			R		MO[3:0]					
0	0	0	x	0	0	0	0	0		

When using Table Indirect I/O commands, bits [7:0] of this register are loaded from the I/O data structure.

Note: For additional information on how the synchronous transfer rate is determined, refer to [Chapter 2, "Functional Description."](#)

**TP[2:0]**                      **SCSI Synchronous Transfer Period**    **[7:5]**

These bits determine the SCSI synchronous transfer period (XFERP) used by the LSI53C810A when sending synchronous SCSI data in either the initiator or target mode. These bits control the programmable dividers in the chip.

TP2	TP1	TP0	XFERP
0	0	0	4
0	0	1	5
0	1	0	6
0	1	1	7
1	0	0	8
1	0	1	9
1	1	0	10
1	1	1	11

Use the following formula to calculate the synchronous send and receive rates. [Table 5.3](#) and [Table 5.4](#) show examples of possible bit combinations.

Synchronous Send Rate = (SCLK/SCF)/XFERP

Synchronous Receive Rate = (SCLK/SCF) /4

Where:

**SCLK** SCSI clock

**SCF** Synchronous Clock Conversion Factor, SCNTL3 register, bits [6:4]

**XFERP** Transfer period, SXFER register, bits [7:5]

**Table 5.3 Examples of Synchronous Transfer Periods and Rates for SCSI-1**

SCLK (MHz)	SCF ÷ SCNTL3 Bits [6:4]	XFERP SXFER Bits [7:5]	Synch. Send Rate (Mbytes/s)	Synch. Send Period (ns)	Synch. Receive Rate (Mbytes/s)	Synch. Receive Period (ns)
66.67	3	4	5.55	180	5.55	180
66.67	3	5	4.44	225	5.55	180
50	2	4	6.25	160	6.25	160
50	2	5	5	200	6.25	160

**Table 5.3 Examples of Synchronous Transfer Periods and Rates for SCSI-1 (Cont.)**

SCLK (MHz)	SCF ÷ SCNTL3 Bits [6:4]	XFERP SXFER Bits [7:5]	Synch. Send Rate (Mbytes/s)	Synch. Send Period (ns)	Synch. Receive Rate (Mbytes/s)	Synch. Receive Period (ns)
40	2	4	5	200	5	200
37.50	1.5	4	6.25	160	6.25	160
33.33	1.5	4	5.55	180	5.55	180
25	1	4	6.25	160	6.25	160
20	1	4	5	200	5	200
16.67	1	4	4.17	240	4.17	240

**Table 5.4 Examples of Synchronous Transfer Periods and Rates for Fast SCSI**

SCLK (MHz)	SCF ÷ SCNTL3 Bits [6:4]	XFERP SXFER Bits [7:5]	Synch. Send Rate (Mbytes/s)	Synch. Send Period (ns)	Synch. Receive Rate (Mbytes)	Synch. Receive Period (ns)
66.67	1.5	4	11.11	90	11.11	90
66.67	1	5	8.88	112.5	11.11	90
50	1	4	12.5	80	12.5	80
50	1	5	10	100	12.5	80
40	1	4	10	100	10.0	100
37.50	1	4	9.375	106.67	9.35	106.67
33.33	1	4	8.33	120	8.33	120
25	1	4	6.25	160	6.25	160
20	1	4	5	200	5	200
16.67	1	4	4.17	240	4.17	240

**R** **Reserved** **4**

**MO[3:0]** **Max SCSI Synchronous Offset** **[3:0]**

These bits describe the maximum SCSI synchronous offset used by the LSI53C810A when transferring synchronous SCSI data in either the initiator or target mode. [Table 5.5](#) describes the possible combinations and their relationship to the synchronous data offset used by



the LSI53C810A. These bits determine the LSI53C810A's method of transfer for Data-In and Data-Out phases only; all other information transfers occur asynchronously.

**Table 5.5 SCSI Synchronous Offset Values**

MO3	MO2	MO1	MO0	Synchronous Offset
0	0	0	0	0-Asynchronous
0	0	0	1	1
0	0	1	0	2
0	0	1	1	3
0	1	0	0	4
0	1	0	1	5
0	1	1	0	6
0	1	1	1	7
1	0	0	0	8
1	x	x	1	Reserved
1	x	1	x	Reserved
1	1	x	x	Reserved

**Register: 0x06 (0x86)**  
**SCSI Destination ID (SDID)**  
 Read/Write

7		3	2	0
R				
ENC[3:0]				
x	x	x	x	x
			0	0

**R** **Reserved** **[7:3]**

**ENC[2:0]** **Encoded destination SCSI ID** **[2:0]**

Writing these bits sets the SCSI ID of the intended initiator or target during SCSI reselection or selection phases, respectively. When executing SCRIPTS, the SCRIPTS processor writes the destination SCSI ID to this register. The SCSI ID is defined by the user in a SCRIPTS Select or Reselect instruction. The value written should be the binary-encoded ID value. The priority of the 8 possible IDs, in descending order, is:

Highest				Lowest			
7	6	5	4	3	2	1	0

**Register: 0x07 (0x87)**  
**General Purpose (GPREG)**  
 Read/Write

7			2			1	0
R						GPIO[1:0]	
x	x	x	x	x	x	0	0

**R** **Reserved** **[7:2]**

**GPIO[1:0]** **General Purpose** **[1:0]**

These bits are programmed through the [General Purpose Pin Control \(GPCNTL\)](#) register as inputs, outputs, or to perform special functions. These signals can also be programmed as live inputs and sensed through a SCRIPTS register to register Move Instruction. GPIO[1:0] default as inputs. When configured as inputs, an internal pull-up is enabled.

LSI Logic SDMS software uses the GPIO 0 pin to toggle SCSI device LEDs, turning on the LED whenever the LSI53C810A is connected to the SCSI bus. SDMS software drives this pin low to turn on the LED, or drives it high to turn off the LED.

The GPIO[1:0] pins are used in SDMS software to access serial NVRAM. When used for accessing serial NVRAM, GPIO 1 is used as a clock with the GPIO 0 pin serving as data.

**Register: 0x08 (0x88)**  
**SCSI First Byte Received (SFBR)**  
**Read/Write**

7	IB						0
0	0	0	0	0	0	0	0

This register contains the first byte received in any asynchronous information transfer phase. For example, when the a LSI53C810A is operating in initiator mode, this register contains the first byte received in Message-In, Status phase, Reserved-In and Data-In.

When a Block Move instruction is executed for a particular phase, the first byte received is stored in this register, even if the present phase is the same as the last phase. The first byte received value for a particular input phase is not valid until after a MOVE instruction is executed.

This register is also the accumulator for register read-modify-writes with the [SCSI First Byte Received \(SFBR\)](#) as the destination. This allows bit testing after an operation.

The [SCSI First Byte Received \(SFBR\)](#) cannot be written using the CPU, and therefore not by a Memory Move. Additionally, the Load instruction cannot be used to write to this register. However, it can be loaded using SCRIPTS Read/Write operations. To load the [SCSI First Byte Received \(SFBR\)](#) with a byte stored in system memory, the byte must first be moved to an intermediate LSI53C810A register (such as the SCRATCH register), and then to the [SCSI First Byte Received \(SFBR\)](#).

This register also contains the state of the lower eight bits of the SCSI data bus during the Selection phase if the COM bit in the [DMA Control \(DCNTL\)](#) register is clear.

**Register: 0x09 (0x89)**  
**SCSI Output Control Latch (SOCL)**  
**Read/Write**

7	6	5	4	3	2	1	0
REQ	ACK	BSY	SEL	ATN	MSG	C/D	I/O
0	0	0	0	0	0	0	0

<b>REQ</b>	<b>Assert SCSI REQ/ Signal</b>	<b>7</b>
<b>ACK</b>	<b>Assert SCSI ACK/ Signal</b>	<b>6</b>
<b>BSY</b>	<b>Assert SCSI BSY/ Signal</b>	<b>5</b>
<b>SEL</b>	<b>Assert SCSI SEL/ Signal</b>	<b>4</b>
<b>ATN</b>	<b>Assert SCSI ATN/ Signal</b>	<b>3</b>
<b>MSG</b>	<b>Assert SCSI MSG/ Signal</b>	<b>2</b>
<b>C/D</b>	<b>Assert SCSI C_D/ Signal</b>	<b>1</b>
<b>I/O</b>	<b>Assert SCSI I_O/ Signal</b>	<b>0</b>

This register is used primarily for diagnostic testing or programmed I/O operation. It is controlled by the SCRIPTS processor when executing SCSI SCRIPTS. [SCSI Output Control Latch \(SOCL\)](#) is used only when transferring data using programmed I/O. Some bits are set (1) or cleared (0) when executing SCSI SCRIPTS. Do not write to the register once the LSI53C810A starts executing normal SCSI SCRIPTS.

**Register: 0x0A (0x8A)**  
**SCSI Selector ID (SSID)**  
**Read Only**

7	6				3	2	0
VAL	R				ENID[2:0]		
0	x	x	x	x	0	0	0

- VAL** **SCSI Valid Bit** **7**  
 If VAL is asserted, then the two SCSI IDs are detected on the bus during a bus-initiated selection or reselection, and the encoded destination SCSI ID bits below are valid. If VAL is deasserted, only one ID is present and the contents of the encoded destination ID are meaningless.
- R** **Reserved** **[6:3]**
- ENID[2:0]** **Encoded Destination SCSI ID** **[2:0]**  
 Reading the SSID register immediately after the LSI53C810A has been selected or reselected returns the binary-encoded SCSI ID of the device that performed the operation. These bits are invalid for targets that are selected under the single initiator option of the SCSI-1 specification. This condition can be detected by examining the VAL bit above.

**Register: 0x0B (0x8B)**  
**SCSI Bus Control Lines (SBCL)**  
**Read Only**

7	6	5	4	3	2	1	0
REQ	ACK	BSY	SEL	ATN	MSG	C/D	I/O
x	x	x	x	x	x	x	x

<b>REQ</b>	<b>SREQ/ Status</b>	<b>7</b>
<b>ACK</b>	<b>SACK/ Status</b>	<b>6</b>
<b>BSY</b>	<b>SBSY/ Status</b>	<b>5</b>
<b>SEL</b>	<b>SSEL/ Status</b>	<b>4</b>
<b>ATN</b>	<b>SATN/ Status</b>	<b>3</b>
<b>MSG</b>	<b>SMSG/ Status</b>	<b>2</b>
<b>C/D</b>	<b>SC_D/ Status</b>	<b>1</b>
<b>I/O</b>	<b>SI_O/ Status</b>	<b>0</b>

This register returns the SCSI control line status. A bit is set when the corresponding SCSI control line is asserted. These bits are not latched; they are a true representation of what is on the SCSI bus at the time the register is read. The resulting read data is synchronized before being presented to the PCI bus to prevent parity errors from being passed to the system. This register is used for diagnostics testing or operation in low level mode.

**Register: 0x0C (0x8C)**  
**DMA Status (DSTAT)**  
**Read Only**

7	6	5	4	3	2	1	0
DFE	MDPE	BF	ABRT	SSI	SIR	R	IID
1	0	0	0	0	0	x	0

Reading this register clears any bits that are set at the time the register is read, but does not necessarily clear the register in case additional interrupts are pending (the LSI53C810A stacks interrupts). The DIP bit

in the [Interrupt Status \(ISTAT\)](#) register is also cleared. It is possible to mask DMA interrupt conditions individually through the [DMA Interrupt Enable \(DIEN\)](#) register.

When performing consecutive 8-bit reads of the [DMA Status \(DSTAT\)](#), [SCSI Interrupt Status Zero \(SIST0\)](#) and [SCSI Interrupt Status One \(SIST1\)](#) registers (in any order), insert a delay equivalent to 12 CLK periods between the reads to ensure that the interrupts clear properly. See [Chapter 2, "Functional Description,"](#) for more information on interrupts.

<b>DFE</b>	<b>DMA FIFO Empty</b>	<b>7</b>
	This status bit is set when the DMA FIFO is empty. It is possible to use it to determine if any data resides in the FIFO when an error occurs and an interrupt is generated. This bit is a pure status bit and does not cause an interrupt.	
<b>MDPE</b>	<b>Master Data Parity Error</b>	<b>6</b>
	This bit is set when the LSI53C810A as a master detects a data parity error, or a target device signals a parity error during a data phase. This bit is completely disabled by the Master Parity Error Enable bit (bit 3 of <a href="#">Chip Test Four (CTEST4)</a> ).	
<b>BF</b>	<b>Bus Fault</b>	<b>5</b>
	This bit is set when a PCI bus fault condition is detected. A PCI bus fault can only occur when the LSI53C810A is bus master, and is defined as a cycle that ends with a Bad Address or Target Abort Condition.	
<b>ABRT</b>	<b>Aborted</b>	<b>4</b>
	This bit is set when an abort condition occurs. An abort condition occurs when a software abort command is issued by setting bit 7 of the <a href="#">Interrupt Status (ISTAT)</a> register.	
<b>SSI</b>	<b>Single Step Interrupt</b>	<b>3</b>
	If the Single Step Mode bit in the <a href="#">DMA Control (DCNTL)</a> register is set, this bit is set and an interrupt is generated after successful execution of each SCRIPTS instruction.	
<b>SIR</b>	<b>SCRIPTS Interrupt Instruction Received</b>	<b>2</b>
	This status bit is set whenever an Interrupt instruction is evaluated as true.	

<b>R</b>	<b>Reserved</b>	<b>1</b>
<b>IID</b>	<b>Illegal Instruction Detected</b>	<b>0</b>

This status bit is set any time an illegal instruction is detected, whether the LSI53C810A is operating in single step mode or automatically executing SCSI SCRIPTS.

Any of the following conditions during instruction execution also set this bit:

- The LSI53C810A is executing a Wait Disconnect instruction and the SCSI REQ line is asserted without a disconnect occurring.
- A Move, Chained Move, or Memory Move command with a byte count of zero is fetched.
- A Load/Store memory address maps back into chip register space.

**Register: 0x0D (0x8D)**  
**SCSI Status Zero (SSTAT0)**  
**Read Only**

7	6	5	4	3	2	1	0
ILF	ORF	OLF	AIP	LOA	WOA	RST/	SDP/
0	0	0	0	0	0	0	0

<b>ILF</b>	<b>SIDL Full</b>	<b>7</b>
------------	------------------	----------

This bit is set when the [SCSI Input Data Latch \(SIDL\)](#) register contains data. Data is transferred from the SCSI bus to the SCSI Input Data Latch register before being sent to the DMA FIFO and then to the host bus. The [SCSI Input Data Latch \(SIDL\)](#) register contains SCSI data received asynchronously. Synchronous data received does not flow through this register.

<b>ORF</b>	<b>SODR Full</b>	<b>6</b>
------------	------------------	----------

This bit is set when the SCSI Output Data Register (SODR, a hidden buffer register which is not accessible) contains data. The SODR register is used by the SCSI logic as a second storage register when sending data synchronously. It is not readable or writable by the user. It is possible to use this bit to determine how many bytes reside in the chip when an error occurs.



<b>OLF</b>	<b>SODL Full</b>	<b>5</b>
	<p>This bit is set when <a href="#">SCSI Output Data Latch (SODL)</a> contains data. The <a href="#">SCSI Output Data Latch (SODL)</a> register is the interface between the DMA logic and the SCSI bus. In synchronous mode, data is transferred from the host bus to the <a href="#">SCSI Output Data Latch (SODL)</a> register, and then to the SCSI Output Data Register (SODR, a hidden buffer register which is not accessible) before being sent to the SCSI bus. In asynchronous mode, data is transferred from the host bus to the <a href="#">SCSI Output Data Latch (SODL)</a> register, and then to the SCSI bus. The SODR buffer register is not used for asynchronous transfers. It is possible to use this bit to determine how many bytes reside in the chip when an error occurs.</p>	
<b>AIP</b>	<b>Arbitration in Progress</b>	<b>4</b>
	<p>Arbitration in Progress (AIP = 1) indicates that the LSI53C810A has detected a Bus Free condition, asserted BSY, and asserted its SCSI ID onto the SCSI bus.</p>	
<b>LOA</b>	<b>Lost Arbitration</b>	<b>3</b>
	<p>When set, LOA indicates that the LSI53C810A has detected a bus free condition, arbitrated for the SCSI bus, and lost arbitration due to another SCSI device asserting the SEL/ signal.</p>	
<b>WOA</b>	<b>Won Arbitration</b>	<b>2</b>
	<p>When set, WOA indicates that the LSI53C810A has detected a Bus Free condition, arbitrated for the SCSI bus and won arbitration. The arbitration mode selected in the <a href="#">SCSI Control Zero (SCNTL0)</a> register must be full arbitration and selection for this bit to be set.</p>	
<b>RST/</b>	<b>SCSI RST/ Signal</b>	<b>1</b>
	<p>This bit reports the current status of the SCSI RST/ signal, and the SRST signal (bit 6) in the <a href="#">Interrupt Status (ISTAT)</a> register.</p>	
<b>SDP/</b>	<b>SCSI SDP/ Parity Signal</b>	<b>0</b>
	<p>This bit represents the active high current status of the SCSI SDP/ parity signal.</p>	

**Register: 0x0E (0x8E)**  
**SCSI Status One (SSTAT1)**  
**Read Only**

7	4	3	2	1	0		
FF[3:0]				SDPL	MSG	C/D	I/O
0	0	0	0	x	x	x	x

**FF[3:0]      FIFO Flags      [7:4]**

These four bits define the number of bytes that currently reside in the LSI53C810A's SCSI synchronous data FIFO. These bits are not latched and they will change as data moves through the FIFO. The FIFO can hold up to 9 bytes. Values over nine will not occur.

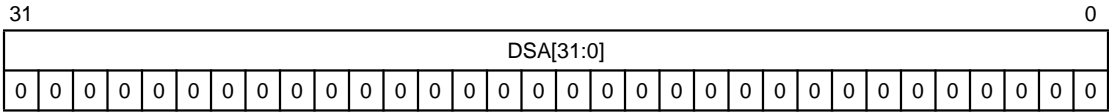
FF3	FF2	FF1	FF0	Bytes or Words in the SCSI FIFO
0	0	0	0	0
0	0	0	1	1
0	0	1	0	2
0	0	1	1	3
0	1	0	0	4
0	1	0	1	5
0	1	1	0	6
0	1	1	1	7
1	0	0	0	8
1	0	0	1	9

**SDPL      Latched SCSI Parity      3**

This bit reflects the SCSI parity signal (SDP/), corresponding to the data latched in the [SCSI Input Data Latch \(SIDL\)](#). It changes when a new byte is latched into the [SCSI Input Data Latch \(SIDL\)](#) register. This bit is active high, in other words, it is set when the parity signal is active.



**Registers: 0x10–0x13 (0x90–0x93)**  
**Data Structure Address (DSA)**  
**Read/Write**



**DSA**                      **Data Structure Address**                      **[31:0]**

This 32-bit register contains the base address used for all table indirect calculations. The DSA register is usually loaded prior to starting an I/O, but it is possible for a SCRIPTS Memory Move to load the DSA during the I/O.

During any Memory-to-Memory Move operation, the contents of this register are preserved. The power-up value of this register is indeterminate.

**Register: 0x14 (0x94)**  
**Interrupt Status (ISTAT)**  
**Read/Write**

7	6	5	4	3	2	1	0
ABRT	SRST	SIGP	SEM	CON	INTF	SIP	DIP
0	0	0	0	0	0	0	0

This register is accessible by the host CPU while a LSI53C810A is executing SCRIPTS (without interfering in the operation of the function). It is used to poll for interrupts if hardware interrupts are disabled. Read this register after servicing an interrupt to check for stacked interrupts. For more information on interrupt handling refer to [Chapter 2, “Functional Description.”](#)

**ABRT**                      **Abort Operation**                      **7**

Setting this bit aborts the current operation being executed by the LSI53C810A. If this bit is set and an interrupt is received, clear this bit before reading the [DMA Status \(DSTAT\)](#) register to prevent further aborted interrupts from being generated. The sequence to abort any operation is:

1. Set this bit.
2. Wait for an interrupt.

3. Read the [Interrupt Status \(ISTAT\)](#) register.
4. If the SCSI Interrupt Pending bit is set, then read the [SCSI Interrupt Status Zero \(SIST0\)](#) or [SCSI Interrupt Status One \(SIST1\)](#) register to determine the cause of the SCSI Interrupt and go back to Step 2.
5. If the SCSI Interrupt Pending bit is clear, and the DMA Interrupt Pending bit is set, then write 0x00 value to this register.
6. Read the [DMA Status \(DSTAT\)](#) register to verify the aborted interrupt and to see if any other interrupting conditions have occurred.

<b>SRST</b>	<b>Software Reset</b> <b>6</b>
	Setting this bit resets the LSI53C810A. All operating registers are cleared to their respective default values and all SCSI signals are deasserted. Setting this bit does not assert the SCSI RST/ signal. This reset does not clear the LSI53C700 family compatibility bit or any of the PCI configuration registers. This bit is not self-clearing; it must be cleared to clear the reset condition (a hardware reset also clears this bit).
<b>SIGP</b>	<b>Signal Process</b> <b>5</b>
	SIGP is a R/W bit that is writable at any time, and polled and reset using <a href="#">Chip Test Two (CTEST2)</a> . The SIGP bit is used in various ways to pass a flag to or from a running SCRIPTS instruction.  The only SCRIPTS instruction directly affected by the SIGP bit is Wait for Selection/Reselection. Setting this bit causes that instruction to jump to the alternate address immediately. The instructions at the alternate jump address should check the status of SIGP to determine the cause of the jump. The SIGP bit may be used at any time and is not restricted to the wait for selection/ reselection condition.
<b>SEM</b>	<b>Semaphore</b> <b>4</b>
	The SCRIPTS processor may set this bit using a SCRIPTS register write instruction. An external processor may also set it while the LSI53C810A is executing a SCRIPTS operation. This bit enables the LSI53C810A to notify an external processor of a predefined condition while SCRIPTS are running. The external processor may

also notify the LSI53C810A of a predefined condition and the SCRIPTS processor may take action while SCRIPTS are executing.

<b>CON</b>	<b>Connected</b>	<b>3</b>
	<p>This bit is automatically set any time the LSI53C810A is connected to the SCSI bus as an initiator or as a target. It is set after successfully completing selection or when the LSI53C810A responds to a bus-initiated selection or reselection. It is also set after the LSI53C810A wins arbitration when operating in low level mode. When this bit is clear, the LSI53C810A is not connected to the SCSI bus.</p>	
<b>INTF</b>	<b>Interrupt-on-the-Fly</b>	<b>2</b>
	<p>This bit is asserted by an INTFLY instruction during SCRIPTS execution. SCRIPTS programs do not halt when the interrupt occurs. This bit can be used to notify a service routine, running on the main processor while the SCRIPTS processor is still executing a SCRIPTS program. If this bit is set when the <a href="#">Interrupt Status (ISTAT)</a> register is read it is not automatically cleared. To clear this bit, write it to a one. The reset operation is self-clearing.</p>	
	<p><u>Note:</u> If the INTF bit is set but SIP or DIP is not set, do not attempt to read the other chip status registers. An Interrupt-on-the-Fly interrupt must be cleared before servicing any other interrupts indicated by SIP or DIP.</p> <p>This bit must be written to one in order to clear it after it has been set.</p>	
<b>SIP</b>	<b>SCSI Interrupt Pending</b>	<b>1</b>
	<p>This status bit is set when an interrupt condition is detected in the SCSI portion of the LSI53C810A. The following conditions cause a SCSI interrupt to occur:</p> <ul style="list-style-type: none"><li>• A phase mismatch (initiator mode) or SATN/ becomes active (target mode)</li><li>• An arbitration sequence completes</li><li>• A selection or reselection time-out occurs</li><li>• The LSI53C810A is selected</li><li>• The LSI53C810A is reselected</li></ul>	

- A SCSI gross error occurs
- An unexpected disconnect occurs
- A SCSI reset occurs
- A parity error is detected
- The handshake-to-handshake timer is expired
- The general purpose timer is expired

To determine exactly which condition(s) caused the interrupt, read the [SCSI Interrupt Status Zero \(SIST0\)](#) and [SCSI Interrupt Status One \(SIST1\)](#) registers.

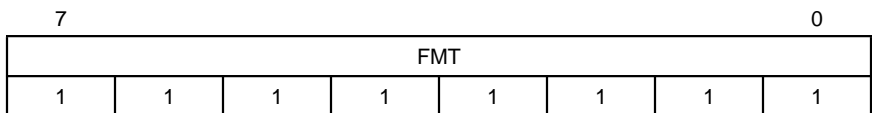
**DIP DMA Interrupt Pending 0**

This status bit is set when an interrupt condition is detected in the DMA portion of the LSI53C810A. The following conditions cause a DMA interrupt to occur:

- A PCI parity error is detected
- A bus fault is detected
- An abort condition is detected
- A SCRIPTS instruction is executed in single step mode
- A SCRIPTS interrupt instruction is executed
- An illegal instruction is detected

To determine exactly which condition(s) caused the interrupt, read the [DMA Status \(DSTAT\)](#) register.

**Register: 0x18 (0x98)  
Chip Test Zero (CTEST0)  
Read/Write**



**FMT Byte Empty in DMA FIFO [7:0]**

This was a general purpose read/write register in previous LSI53C8XX family chips. Although it is still a read/write register, LSI Logic reserves the right to use these bits for future LSI53C8XX family enhancements.

**Register: 0x19 (0x99)**  
**Chip Test One (CTEST1)**  
**Read Only**

7				4			3			0
FMT[3:0]					FFL[3:0]					
1	1	1	1	0	0	0	0	0	0	0

**FMT[3:0]**      **Byte Empty in DMA FIFO**      **[7:4]**  
 These bits identify the bottom bytes in the DMA FIFO that are empty. Each bit corresponds to a byte lane in the DMA FIFO. For example, if byte lane three is empty, then FMT3 will be set. Since the FMT flags indicate the status of bytes at the bottom of the FIFO, if all FMT bits are set, the DMA FIFO is empty.

**FFL[3:0]**      **Byte Full in DMA FIFO**      **[3:0]**  
 These status bits identify the top bytes in the DMA FIFO that are full. Each bit corresponds to a byte lane in the DMA FIFO. For example, if byte lane three is full then FFL3 is set. Since the FFL flags indicate the status of bytes at the top of the FIFO, if all FFL bits are set, the DMA FIFO is full.

**Register: 0x1A (0x9A)**  
**Chip Test Two (CTEST2)**  
**Read Only**

7	6	5	4	3	2	1	0
DDIR	SIGP	CIO	CM	R	TEOP	DREQ	DACK
0	0	x	x	0	0	0	1

**DDIR**      **Data Transfer Direction**      **7**  
 This status bit indicates which direction data is being transferred. When this bit is set, the data will be transferred from the SCSI bus to the host bus. When this bit is clear, the data is transferred from the host bus to the SCSI bus.



<b>SIGP</b>	<b>Signal Process</b>	<b>6</b>
	This bit is a copy of the SIGP bit in the <a href="#">Interrupt Status (ISTAT)</a> register (bit 5). The SIGP bit is used to signal a running SCRIPTS instruction. When this register is read, the SIGP bit in the <a href="#">Interrupt Status (ISTAT)</a> register is cleared.	
<b>CIO</b>	<b>Configured as I/O</b>	<b>5</b>
	This bit is defined as the Configuration I/O Enable Status bit. This read only bit indicates if the chip is currently enabled as I/O space.	
	<u>Note:</u> Both bits 4 and 5 may be set if the chip is dual-mapped.	
<b>CM</b>	<b>Configured as Memory</b>	<b>4</b>
	This bit is defined as the configuration memory enable status bit. This read only bit indicates if the chip is currently enabled as memory space.	
	<u>Note:</u> Both bits 4 and 5 may be set if the chip is dual-mapped.	
<b>R</b>	<b>Reserved</b>	<b>3</b>
<b>TEOP</b>	<b>SCSI True End of Process</b>	<b>2</b>
	This bit indicates the status of the LSI53C810A's internal TEOP signal. The TEOP signal acknowledges the completion of a transfer through the SCSI portion of the LSI53C810A. When this bit is set, TEOP is active. When this bit is clear, TEOP is inactive.	
<b>DREQ</b>	<b>Data Request Status</b>	<b>1</b>
	This bit indicates the status of the LSI53C810A's internal Data Request signal (DREQ). When this bit is set, DREQ is active. When this bit is clear, DREQ is inactive.	
<b>DACK</b>	<b>Data Acknowledge Status</b>	<b>0</b>
	This bit indicates the status of the LSI53C810A's internal Data Acknowledge signal (DACK/). When this bit is set, DACK/ is inactive. When this bit is clear, DACK/ is active.	

**Register: 0x1B (0x9B)**  
**Chip Test Three (CTEST3)**  
Read/Write

7	4	3	2	1	0		
V[3:0]				FLF	CLF	FM	WRIE
x	x	x	x	0	0	0	0

**V[3:0]                      Chip Revision Level                      [7:4]**

These bits identify the chip revision level for software purposes.

**FLF                      Flush DMA FIFO                      3**

When this bit is set, data residing in the DMA FIFO is transferred to memory, starting at the address in the [DMA Next Address \(DNAD\)](#) register. The internal DMAWR signal, controlled by the [Chip Test Five \(CTEST5\)](#) register, determines the direction of the transfer. This bit is not self-clearing; clear it once the data is successfully transferred by the LSI53C810A.

Note:      Polling of FIFO flags is allowed during flush operations.

**CLF                      Clear DMA FIFO                      2**

When this bit is set, all data pointers for the DMA FIFO are cleared. Any data in the FIFO is lost. After the LSI53C810A successfully clears the appropriate FIFO points and registers, this bit automatically clears.

Note:      This bit does not clear the data visible at the bottom of the FIFO.

**FM                      Fetch Pin Mode                      1**

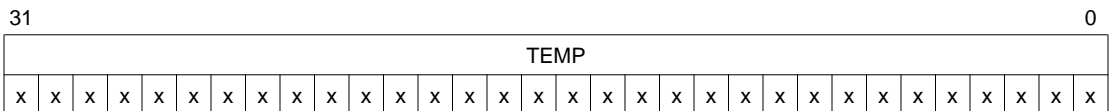
When set, this bit causes the FETCH/ pin to deassert during indirect and table indirect read operations. FETCH/ is only active during the opcode portion of an instruction fetch. This allows the storage of SCRIPTS in a PROM while data tables are stored in RAM.

If this bit is not set, FETCH/ is asserted for all bus cycles during instruction fetches.

**WRIE**                      **Write and Invalidate Enable**                      **0**

This bit, when set, causes issuing of Memory Write and Invalidate commands on the PCI bus whenever legal. These conditions are described in more detail in [Chapter 3, “PCI Functional Description.”](#)

**Registers: 0x1C–0x1F (0x9C–0x9F)**  
**Temporary (TEMP)**  
**Read/Write**

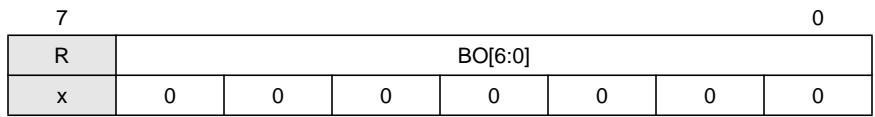


**TEMP**                      **Temporary**                      **[31:0]**

This 32-bit register stores the Return instruction address pointer from the Call instruction. The address pointer stored in this register is loaded into the [DMA SCRIPTS Pointer \(DSP\)](#) register when a Return instruction is executed. This address points to the next instruction to execute. Do not write to this register while the LSI53C810A is executing SCRIPTS.

During any Memory-to-Memory Move operation, the contents of this register are preserved. The power-up value of this register is indeterminate.

**Register: 0x20 (0xA0)**  
**DMA FIFO (DFIFO)**  
**Read/Write**



**R**                      **Reserved**                      **7**

**BO[6:0]**                      **Byte Offset Counter**                      **[6:0]**

These bits indicate the amount of data transferred between the SCSI core and the DMA core. It may be used to determine the number of bytes in the DMA FIFO

when an interrupt occurs. These bits are unstable while data is being transferred between the two cores; once the chip has stopped transferring data, these bits are stable.

The [DMA FIFO \(DFIFO\)](#) register counts the number of bytes transferred between the DMA core and the SCSI core. The [DMA Byte Counter \(DBC\)](#) register counts the number of bytes transferred across the host bus. The difference between these two counters represents the number of bytes remaining in the DMA FIFO.

The following steps determine how many bytes are left in the DMA FIFO when an error occurs, regardless of the transfer direction:

1. Subtract the seven least significant bits of the [DMA Byte Counter \(DBC\)](#) register from the 7-bit value of the [DMA FIFO \(DFIFO\)](#) register.
2. AND the result with 0x7F for a byte count between zero and 64.

**Note:** To calculate the total number of bytes in both the DMA FIFO and SCSI logic, see [Section 2.5.1.1, “Data Paths,”](#) in [Chapter 2, “Functional Description.”](#)

**Register: 0x21 (0xA1)**  
**Chip Test Four (CTEST4)**  
**Read/Write**

7	6	5	4	3	2	0	
BDIS	ZMOD	ZSD	SRTM	MPEE	FBL[2:0]		
0	0	0	0	0	0	0	0

**BDIS** **7**  
**Burst Disable**  
 When set, this bit causes the LSI53C810A to perform back-to-back cycles for all transfers. When this bit is cleared, back-to-back transfers for opcode fetches and burst transfers for data moves are performed. The handling of opcode fetches is dependent on the setting of the Burst Opcode Fetch bit in the [DMA Mode \(DMODE\)](#) register.

<b>ZMOD</b>	<b>High Impedance Mode</b>	<b>6</b>
	Setting this bit causes the LSI53C810A to place all output and bidirectional pins into a high impedance state. In order to read data out of the LSI53C810A, clear this bit. This bit is intended for board-level testing only. Do not set this bit during normal system operation.	
<b>ZSD</b>	<b>SCSI Data High Impedance</b>	<b>5</b>
	Setting this bit causes the LSI53C810A to place the SCSI data bus SD[7:0] and the parity line (SDP) in a high impedance state. In order to transfer data on the SCSI bus, clear this bit.	
<b>SRTM</b>	<b>Shadow Register Test Mode</b>	<b>4</b>
	Setting this bit allows access to the shadow registers used by Memory-to-Memory Move operations. When this bit is set, register accesses to the <a href="#">Temporary (TEMP)</a> and <a href="#">Data Structure Address (DSA)</a> registers are directed to the shadow copies STEMP (Shadow TEMP) and SDSA (Shadow DSA). The registers are shadowed to prevent them from being overwritten during a Memory-to-Memory Move operation. The DSA and <a href="#">Temporary (TEMP)</a> registers contain the base address used for table indirect calculations, and the address pointer for a call or return instruction, respectively. This bit is intended for manufacturing diagnostics only and should not be set during normal operations.	
<b>MPEE</b>	<b>Master Parity Error Enable</b>	<b>3</b>
	Setting this bit enables parity checking during master data phases. A parity error during a bus master read is detected by the LSI53C810A. A parity error during a bus master write is detected by the target, and the LSI53C810A is informed of the error by the PERR/ pin being asserted by the target. When this bit is cleared, the LSI53C810A does not interrupt if a master parity error occurs. This bit is cleared at power-up.	

**FBL[2:0]****FIFO Byte Control****[2:0]**

FBL2	FBL1	FBL0	DMA FIFO Byte Lane	Pins
x	x	x	Disabled	N/A
0	0	0	0	D[7:0]
0	0	1	1	D[15:8]
0	1	0	2	D[23:16]
0	1	1	3	D[31:24]

These bits steer the contents of the [Chip Test Six \(CTEST6\)](#) register to the appropriate byte lane of the 32-bit DMA FIFO. If the FBL2 bit is set, then FBL1 and FBL0 determine which of four byte lanes can be read or written. When cleared, the byte lane read or written is determined by the current contents of the [DMA Next Address \(DNAD\)](#) and [DMA Byte Counter \(DBC\)](#) registers. Each of the four bytes that make up the 32-bit DMA FIFO is accessed by writing these bits to the proper value. For normal operation, FBL2 must equal zero.

**Register: 0x22 (0xA2)****Chip Test Five (CTEST5)****Read/Write**

7	6	5	4	3	2	0	
ADCK	BBCK	R	MASR	DDIR	R		
0	0	x	0	0	x	x	x

**ADCK****Clock Address Incrementor****7**

Setting this bit increments the address pointer contained in the [DMA Next Address \(DNAD\)](#) register. The [DMA Next Address \(DNAD\)](#) register is incremented based on the DNAD contents and the current [DMA Byte Counter \(DBC\)](#) value. This bit automatically clears itself after incrementing the [DMA Next Address \(DNAD\)](#) register.

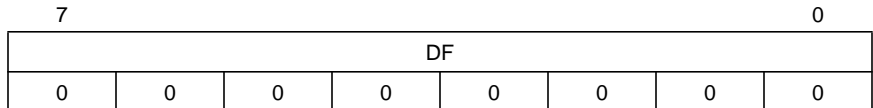
**BBCK****Clock Byte Counter****6**

Setting this bit decrements the byte count contained in the 24-bit [DMA Byte Counter \(DBC\)](#) register. It is decremented based on the [DMA Byte Counter \(DBC\)](#)

contents and the current DNAD value. This bit automatically clears itself after decrementing the [DMA Byte Counter \(DBC\)](#) register.

<b>R</b>	<b>Reserved</b>	<b>5</b>
<b>MASR</b>	<b>Master Control for Set or Reset Pulses</b>	<b>4</b>
	This bit controls the operation of bit 3. When this bit is set, bit 3 asserts the corresponding signals. When this bit is cleared, bit 3 deasserts the corresponding signals. Do not change this bit and bit 3 in the same write cycle.	
<b>DDIR</b>	<b>DMA Direction</b>	<b>3</b>
	Setting this bit either asserts or deasserts the internal DMA Write (DMAWR) direction signal depending on the current status of the MASR bit in this register. Asserting the DMAWR signal indicates that data is transferred from the SCSI bus to the host bus. Deasserting the DMAWR signal transfers data from the host bus to the SCSI bus.	
<b>R</b>	<b>Reserved</b>	<b>[2:0]</b>

**Register: 0x23 (0xA3)**  
**Chip Test Six (CTEST6)**  
**Read/Write**



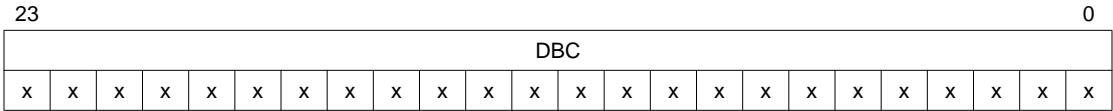
<b>DF</b>	<b>DMA FIFO</b>	<b>[7:0]</b>
	Writing to this register writes data to the appropriate byte lane of the DMA FIFO as determined by the FBL bits in the <a href="#">Chip Test Four (CTEST4)</a> register. Reading this register unloads data from the appropriate byte lane of the DMA FIFO as determined by the FBL bits in the <a href="#">Chip Test Four (CTEST4)</a> register. Data written to the FIFO is loaded into the top of the FIFO. Data read out of the FIFO is taken from the bottom. To prevent DMA data from being corrupted, this register should not be accessed before starting or restarting SCRIPTS operation. Write this register only when testing the DMA FIFO using the	

[Chip Test Four \(CTEST4\)](#) register. Writes to this register while the test mode is not enabled produces unexpected results.

**Registers: 0x24–0x26 (0xA4–0xA6)**

**DMA Byte Counter (DBC)**

Read/Write



**DBC**

**DMA Byte Counter**

**[23:0]**

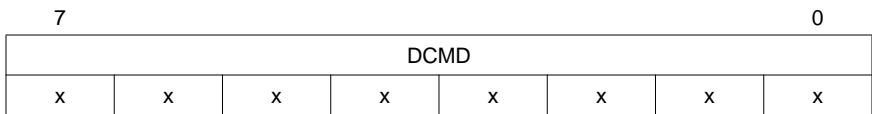
This 24-bit register determines the number of bytes transferred in a Block Move instruction. While sending data to the SCSI bus, the counter is decremented as data is moved into the DMA FIFO from memory. While receiving data from the SCSI bus, the counter is decremented as data is written to memory from the LSI53C810A. The [DMA Byte Counter \(DBC\)](#) counter is decremented each time that data is transferred on the PCI bus. It is decremented by an amount equal to the number of bytes that are transferred.

The maximum number of bytes that can be transferred in any one Block Move command is 16,777,215 bytes. The maximum value that can be loaded into the [DMA Byte Counter \(DBC\)](#) register is 0xFFFFFFFF. If the instruction is a Block Move and a value of 0x000000 is loaded into the [DMA Byte Counter \(DBC\)](#) register, an illegal instruction interrupt occurs if the LSI53C810A is not in target mode, Command phase.

The [DMA Byte Counter \(DBC\)](#) register is also used to hold the least significant 24 bits of the first Dword of a SCRIPTS fetch, and to hold the offset value during table indirect I/O SCRIPTS. For a complete description, see [Chapter 6, “Instruction Set of the I/O Processor.”](#) The power-up value of this register is indeterminate.

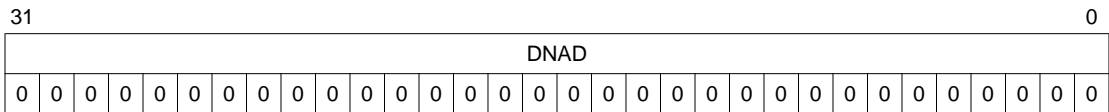


**Register: 0x27 (0xA7)**  
**DMA Command (DCMD)**  
 Read/Write



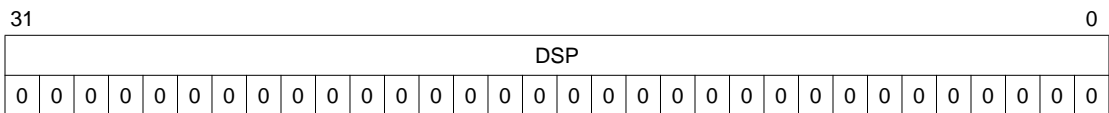
**DCMD**                              **DMA Command**    **[7:0]**  
 This 8-bit register determines the instruction for the LSI53C810A to execute. This register has a different format for each instruction. For a complete description, see [Chapter 6, "Instruction Set of the I/O Processor."](#)

**Registers: 0x28–0x2B (0xA8–0xAB)**  
**DMA Next Address (DNAD)**  
 Read/Write



**DNAD**                              **DMA Next Address**    **[31:0]**  
 This 32-bit register contains the general purpose address pointer. At the start of some SCRIPTS operations, its value is copied from the [DMA SCRIPTS Pointer Save \(DSPS\)](#) register. Its value may not be valid except in certain abort conditions. The default value of this register is zero.

**Registers: 0x2C–0x2F (0xAC–0xAF)**  
**DMA SCRIPTS Pointer (DSP)**  
 Read/Write

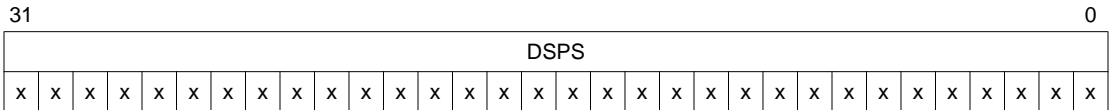


**DSP**                              **DMA SCRIPTS Pointer**    **[31:0]**  
 To execute SCSI SCRIPTS, the address of the first SCRIPTS instruction must be written to this register. In normal SCRIPTS operation, once the starting address of

the first SCRIPTS instruction is written to this register, SCRIPTS instructions are automatically fetched and executed until an interrupt condition occurs.

In single step mode, there is a single step interrupt after each instruction is executed. The **DMA SCRIPTS Pointer (DSP)** register does not need to be written with the next address, but the Start DMA bit (bit 2, **DMA Control (DCNTL)** register) must be set each time the step interrupt occurs to fetch and execute the next SCRIPTS command. When writing this register eight bits at a time, writing the upper eight bits begins execution of the SCSI SCRIPTS. The default value of this register is zero.

**Registers: 0x30–0x33 (0xB0–0xB3)**  
**DMA SCRIPTS Pointer Save (DSPS)**  
Read/Write

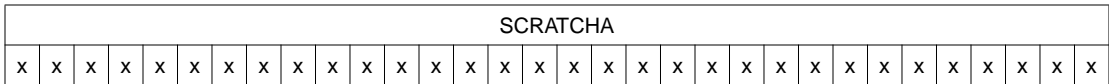


**DSPS** **DMA SCRIPTS Pointer Save** **[31:0]**  
This register contains the second Dword of a SCRIPTS instruction. It is overwritten each time a SCRIPTS instruction is fetched. When a SCRIPTS interrupt instruction is executed, this register holds the interrupt vector. The power-up value of this register is indeterminate.

**Registers: 0x34–0x37 (0xB4–0xB7)**  
**Scratch Register A (SCRATCHA)**  
**Read/Write**

31

0



**SCRATCHA Scratch Register A [31:0]**

This is a general purpose, user-definable scratch pad register. Apart from CPU access, only Register Read/Write and Memory Moves into the SCRATCH register alter its contents. The power-up value of this register is indeterminate.

The LSI53C810A cannot fetch SCRIPTS instructions from this location.

**Register: 0x38 (0xB8)**  
**DMA Mode (DMODE)**  
**Read/Write**

	7		6		5		4		3		2		1		0
	BL[1:0]			SIOM	DIOM	ER	ERMP	BOF	MAN						
	0	0		0	0	0	0	0	0						

**BL[1:0] Burst Length [7:6]**

These bits control the maximum number of transfers performed per bus ownership, regardless of whether the transfers are back-to-back, burst, or a combination of both. The LSI53C810A asserts the Bus Request (REQ/) output when the DMA FIFO can accommodate a transfer of at least one burst size of data. Bus Request (REQ/) is also asserted during start-of-transfer and end-of-transfer cleanup and alignment, even though less than a full burst of transfers is performed. The LSI53C810A inserts a “fairness delay” of four CLKs between burst-length transfers (as set in BL[1:0]) during normal operation. The fairness delay is not inserted during PCI retry cycles. This gives the CPU and other bus master devices the opportunity to access the PCI bus between bursts.

BL1	BL0	Burst Length
0	0	2-transfer burst
0	1	4-transfer burst
1	0	8-transfer burst
1	1	16-transfer burst

**SIOM**                      **Source I/O Memory Enable**                      **5**

This bit is defined as an I/O Memory Enable bit for the source address of a Memory Move or Block Move Command. If this bit is set, then the source address is in I/O space; and if cleared, then the source address is in memory space.

This function is useful for register-to-memory operations using the Memory Move instruction when the LSI53C810A is I/O mapped. Bits 4 and 5 of the [Chip Test Two \(CTEST2\)](#) register are used to determine the configuration status of the LSI53C810A.

**DIOM**                      **Destination I/O Memory Enable**                      **4**

This bit is defined as an I/O Memory Enable bit for the destination address of a Memory Move or Block Move Command. If this bit is set, then the destination address is in I/O space; and if cleared, then the destination address is in memory space.

This function is useful for memory-to-register operations using the Memory Move instruction when the LSI53C810A is I/O mapped. Bits 4 and 5 of the [Chip Test Two \(CTEST2\)](#) register are used to determine the configuration status of the LSI53C810A.

**ERL**                      **Enable Read Line**                      **3**

This bit enables a PCI Read Line command. If PCI cache mode is enabled by setting bits in the PCI Cache Line Size register, the chip issues a Read Line command on all read cycles if other conditions are met. For more information on these conditions, refer to [Chapter 3, "PCI Functional Description."](#)

<b>ERMP</b>	<b>Enable Read Multiple</b>	<b>2</b>
	Setting this bit causes Read Multiple commands to be issued on the PCI bus after certain conditions have been met. These conditions are described in <a href="#">Chapter 3, "PCI Functional Description."</a>	
<b>BOF</b>	<b>Burst Opcode Fetch Enable</b>	<b>1</b>
	Setting this bit causes the LSI53C810A to fetch instructions in burst mode, if the Burst Disable bit ( <a href="#">Chip Test Four (CTEST4)</a> , bit7) is cleared. Specifically, the chip bursts in the first two Dwords of all instructions using a single bus ownership. If the instruction is a Memory-to-Memory Move type, the third Dword is accessed in a subsequent bus ownership. If the instruction is an indirect type, the additional Dword is accessed in a subsequent bus ownership. If the instruction is a table indirect block move type, the chip accesses the remaining two Dwords in a subsequent bus ownership, thereby fetching the four Dwords required in two bursts of two Dwords each.	
<b>MAN</b>	<b>Manual Start Mode</b>	<b>0</b>
	Setting this bit prevents the LSI53C810A from automatically fetching and executing SCSI SCRIPTS when the <a href="#">DMA SCRIPTS Pointer (DSP)</a> register is written. When this bit is set, the Start DMA bit in the <a href="#">DMA Control (DCNTL)</a> register must be set to begin SCRIPTS execution. Clearing this bit causes the LSI53C810A to automatically begin fetching and executing SCSI SCRIPTS when the <a href="#">DMA SCRIPTS Pointer (DSP)</a> register is written. This bit normally is not used for SCSI SCRIPTS operations.	

**Register: 0x39 (0xB9)**  
**DMA Interrupt Enable (DIEN)**  
**Read/Write**

7	6	5	4	3	2	1	0
R	MDPE	BF	ABRT	SSI	SIR	R	IID
x	0	0	0	0	0	x	0

This register contains the interrupt mask bits corresponding to the interrupting conditions described in the [DMA Status \(DSTAT\)](#) register. An interrupt is masked by clearing the appropriate mask bit. Masking an interrupt prevents IRQ/ from being asserted for the corresponding interrupt, but the status bit is still set in the [DMA Status \(DSTAT\)](#) register. Masking an interrupt does not prevent setting the ISTAT DIP. All DMA interrupts are considered fatal, therefore SCRIPTS stops running when a DMA interrupt occurs, whether or not the interrupt is masked. Setting a mask bit enables the assertion of IRQ/ for the corresponding interrupt. (A masked nonfatal interrupt does not prevent unmasked or fatal interrupts from getting through; interrupt stacking begins when either the [Interrupt Status \(ISTAT\)](#) SIP or DIP bit is set.)

The IRQ/ output is latched. Once asserted, it will remain asserted until the interrupt is cleared by reading the appropriate status register. Masking an interrupt after the IRQ/ output is asserted does not cause deassertion of IRQ/.

For more information on interrupts, see [Chapter 2, "Functional Description."](#)

<b>R</b>	<b>Reserved</b>	<b>7</b>
<b>MDPE</b>	<b>Master Data Parity Error</b>	<b>6</b>
<b>BF</b>	<b>Bus Fault</b>	<b>5</b>
<b>ABRT</b>	<b>Aborted</b>	<b>4</b>
<b>SSI</b>	<b>Single Step Interrupt</b>	<b>3</b>
<b>SIR</b>	<b>SCRIPTS Interrupt Instruction Received</b>	<b>2</b>
<b>R</b>	<b>Reserved</b>	<b>1</b>
<b>IID</b>	<b>Illegal Instruction Detected</b>	<b>0</b>

**Register: 0x3A (0xBA)**  
**Scratch Byte Register (SBR)**  
 Read/Write

7							0
SBR							
0	0	0	0	0	0	0	0

**SBR**                      **Scratch Byte Register**                      **[7:0]**

This is a general purpose register. Apart from CPU access, only register Read/Write and Memory Moves into this register alters its contents. The default value of this register is zero. This register is called the DMA Watchdog Timer on previous LSI53C8XX family products.

**Register: 0x3B (0xBB)**  
**DMA Control (DCNTL)**  
 Read/Write

7	6	5	4	3	2	1	0
CLSE	PFF	PFEN	SSM	IRQM	STD	IRQD	COM
0	0	0	0	0	0	0	0

**CLSE**                      **Cache Line Size Enable**                      **7**

Setting this bit enables the LSI53C810A to sense and react to cache line boundaries set up by the [DMA Mode \(DMODE\)](#) or PCI Cache Line Size register, whichever contains the smaller value. Clearing this bit disables the cache line size logic and the LSI53C810A monitors the cache line size using the [DMA Mode \(DMODE\)](#) register.

**PFF**                      **Prefetch Flush**                      **6**

Setting this bit will cause the prefetch unit to flush its contents. The bit clears after the flush is complete.

**PFEN**                      **Prefetch Enable**                      **5**

Setting this bit enables the prefetch unit if the burst size is equal to or greater than four. For more information on SCRIPTS instruction prefetching, see [Chapter 2, "Functional Description."](#)

<b>SSM</b>	<p><b>Single Step Mode</b> <span style="float: right;"><b>4</b></span></p> <p>Setting this bit causes the LSI53C810A to stop after executing each SCRIPTS instruction, and generate a single step interrupt. When this bit is cleared the LSI53C810A does not stop after each instruction. It continues fetching and executing instructions until an interrupt condition occurs. For normal SCSI SCRIPTS operation, keep this bit clear. To restart the LSI53C810A after it generates a SCRIPTS Step interrupt, read the <a href="#">Interrupt Status (ISTAT)</a> and <a href="#">DMA Status (DSTAT)</a> registers to recognize and clear the interrupt. Then set the START DMA bit in this register.</p>
<b>IRQM</b>	<p><b>IRQ Mode</b> <span style="float: right;"><b>3</b></span></p> <p>When set, this bit enables a totem pole driver for the IRQ pin. When reset, this bit enables an open drain driver for the IRQ pin with a internal weak pull-up. This bit is reset at power-up.</p>
<b>STD</b>	<p><b>Start DMA Operation</b> <span style="float: right;"><b>2</b></span></p> <p>The LSI53C810A fetches a SCSI SCRIPTS instruction from the address contained in the <a href="#">DMA SCRIPTS Pointer (DSP)</a> register when this bit is set. This bit is required if the LSI53C810A is in one of the following modes:</p> <ul style="list-style-type: none"> <li>• Manual start mode – Bit 0 in the <a href="#">DMA Mode (DMODE)</a> register is set</li> <li>• Single step mode – Bit 4 in the <a href="#">DMA Control (DCNTL)</a> register is set</li> </ul> <p>When the LSI53C810A is executing SCRIPTS in manual start mode, the Start DMA bit needs to be set to start instruction fetches. This bit remains set until an interrupt occurs. When the LSI53C810A is in single step mode, set the Start DMA bit to restart execution of SCRIPTS after a single step interrupt.</p>
<b>IRQD</b>	<p><b>IRQ Disable</b> <span style="float: right;"><b>1</b></span></p> <p>Setting this bit 3-states the IRQ pin. Clearing the bit enables normal operation. When bit 1 in this register is set, the IRQ/ pin is not asserted when an interrupt condition occurs. The interrupt is not lost or ignored, but merely masked at the pin. Clearing this bit when an interrupt is pending immediately causes the IRQ/ pin to</p>



assert. As with any register other than [Interrupt Status \(ISTAT\)](#), this register cannot be accessed except by a SCRIPTS instruction during SCRIPTS execution.

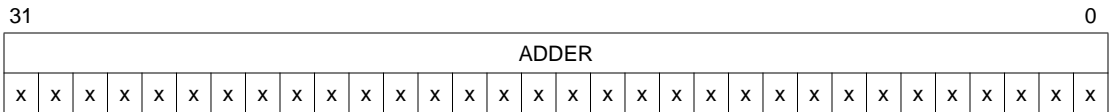
**COM LSI53C700 Family Compatibility 0**

When this bit is cleared, the LSI53C810A behaves in a manner compatible with the LSI53C700 family; selection/reselection IDs are stored in both the [SCSI Selector ID \(SSID\)](#) and [SCSI First Byte Received \(SFBR\)](#) registers.

When this bit is set, the ID is stored in the [SCSI Selector ID \(SSID\)](#) register, protecting the [SCSI First Byte Received \(SFBR\)](#) from being overwritten if a selection/reselection occurs during a DMA register-to-register operation.

This bit is not affected by a software reset.

**Register: 0x3C–0x3F (0xBC–0xBF)  
Adder Sum Output (ADDER)  
Read Only**



**ADDER Adder Sum Output [31:0]**  
 This register contains the output of the internal adder, and is used primarily for test purposes. The power-up value for this register is indeterminate.

**Register: 0x40 (0xC0)**  
**SCSI Interrupt Enable Zero (SIEN0)**  
**Read/Write**

7	6	5	4	3	2	1	0
M/A	CMP	SEL	RSL	SGE	UDC	RST	PAR
0	0	0	0	0	0	0	0

This register contains the interrupt mask bits that correspond to the interrupting conditions described in the [SCSI Interrupt Status Zero \(SIST0\)](#) register. An interrupt is masked by clearing the appropriate mask bit. For more information on interrupts, see [Chapter 2, "Functional Description."](#)

<b>M/A</b>	<b>SCSI Phase Mismatch - Initiator Mode; SCSI ATN Condition - Target Mode</b>	<b>7</b>
	In the initiator mode, this bit is set when the SCSI phase asserted by the target and sampled during SREQ/ does not match the expected phase in the <a href="#">SCSI Output Control Latch (SOCL)</a> register. This expected phase is automatically written by SCSI SCRIPTS. In target mode, this bit is set when the initiator asserts SATN/. See the Disable Halt on Parity Error or SATN/ Condition bit in the <a href="#">SCSI Control One (SCNTL1)</a> register for more information on when this status is actually raised.	
<b>CMP</b>	<b>Function Complete</b>	<b>6</b>
	Indicates full arbitration and selection sequence is completed.	
<b>SEL</b>	<b>Selected</b>	<b>5</b>
	Indicates the LSI53C810A is selected by a SCSI target device. Set the Enable Response to Selection bit in the <a href="#">SCSI Chip ID (SCID)</a> register for this to occur.	
<b>RSL</b>	<b>Reselected</b>	<b>4</b>
	Indicates the LSI53C810A is reselected by a SCSI initiator device. Set the Enable Response to Reselection bit in the <a href="#">SCSI Chip ID (SCID)</a> register for this to occur.	
<b>SGE</b>	<b>SCSI Gross Error</b>	<b>3</b>
	This bit controls whether an interrupt occurs when the LSI53C810A detects a SCSI Gross Error. The following conditions are considered SCSI Gross Errors:	

- Data underflow – reading the SCSI FIFO when no data was present.
- Data overflow – writing to the SCSI FIFO while it is full.
- Offset underflow – receiving a SACK/ pulse in target mode before the corresponding SREQ/ is sent.
- Offset overflow – receiving an SREQ/ pulse in the initiator mode, and exceeding the maximum offset (defined by the MO[3:0] bits in the [SCSI Transfer \(SXFER\)](#) register).
- A phase change in the initiator mode, with an outstanding SREQ/SACK offset.
- Residual data in SCSI FIFO – starting a transfer other than synchronous data receive with data left in the SCSI synchronous receive FIFO.

<b>UDC</b>	<b>Unexpected Disconnect</b>	<b>2</b>
	This bit controls whether an interrupt occurs in the case of an unexpected disconnect. This condition only occurs in initiator mode. It happens when the target to which the LSI53C810A is connected disconnects from the SCSI bus unexpectedly. See the SCSI Disconnect Unexpected bit in the <a href="#">SCSI Control Two (SCNTL2)</a> register for more information on expected versus unexpected disconnects. Any disconnect in low level mode causes this condition.	
<b>RST</b>	<b>SCSI Reset Condition</b>	<b>1</b>
	This bit controls whether an interrupt occurs when the SRST/ signal is asserted by the LSI53C810A or any other SCSI device. Note that this condition is edge-triggered, so that multiple interrupts cannot occur because of a single SRST/ pulse.	
<b>PAR</b>	<b>SCSI Parity Error</b>	<b>0</b>
	This bit controls whether an interrupt occurs when the LSI53C810A detects a parity error while receiving or sending SCSI data. See the Disable Halt on Parity Error or SATN/ Condition bits in the <a href="#">SCSI Control One (SCNTL1)</a> register for more information on when this condition is actually raised.	

**Register: 0x41 (0xC1)**  
**SCSI Interrupt Enable One (SIEN1)**  
 Read/Write

7					3	2	1	0
R					STO	GEN	HTH	
x	x	x	x	x	0	0	0	

This register contains the interrupt mask bits corresponding to the interrupting conditions described in the [SCSI Interrupt Status One \(SIST1\)](#) register. An interrupt is masked by clearing the appropriate mask bit. For more information on interrupts, refer to [Chapter 2, “Functional Description.”](#)

<b>R</b>	<b>Reserved</b>	<b>[7:3]</b>
<b>STO</b>	<b>Selection or Reselection Time-out</b>	<b>2</b>
	This bit controls whether an interrupt occurs when the SCSI device which the LSI53C810A was attempting to select or reselect did not respond within the programmed time-out period. See the description of the <a href="#">SCSI Timer Zero (STIME0)</a> register bits [3:0] for more information on the time-out timer.	
<b>GEN</b>	<b>General Purpose Timer Expired</b>	<b>1</b>
	This bit controls whether an interrupt occurs when the general purpose timer is expired. The time measured is the time between enabling and disabling of the timer. See the description of the <a href="#">SCSI Timer One (STIME1)</a> register, bits [3:0], for more information on the general purpose timer.	
<b>HTH</b>	<b>Handshake to Handshake timer Expired</b>	<b>0</b>
	This bit controls whether an interrupt occurs when the handshake-to-handshake timer is expired. The time measured is the SCSI Request-to-Request (target) or Acknowledge-to-Acknowledge (initiator) period. See the description of the <a href="#">SCSI Timer Zero (STIME0)</a> register, bits [7:4], for more information on the handshake-to-handshake timer.	

**Register: 0x42 (0xC2)**  
**SCSI Interrupt Status Zero (SIST0)**  
**Read Only**

7	6	5	4	3	2	1	0
M/A	CMP	SEL	RSL	SGE	UDC	RST	PAR
0	0	0	0	0	0	0	0

Reading the [SCSI Interrupt Status Zero \(SIST0\)](#) register returns the status of the various interrupt conditions, whether they are enabled in the [SCSI Interrupt Enable Zero \(SIEN0\)](#) register or not. Each bit set indicates an occurrence of the corresponding condition. Reading the [SCSI Interrupt Status Zero \(SIST0\)](#) clears the interrupt status.

Reading this register clears any bits that are set at the time the register is read, but does not necessarily clear the register because additional interrupts may be pending (the LSI53C810A stacks interrupts). SCSI interrupt conditions may be individually masked through the [SCSI Interrupt Enable Zero \(SIEN0\)](#) register.

When performing consecutive 8-bit reads of the [DMA Status \(DSTAT\)](#), [SCSI Interrupt Status Zero \(SIST0\)](#), and [SCSI Interrupt Status One \(SIST1\)](#) registers (in any order), insert a delay equivalent to 12 CLK periods between the reads to ensure the interrupts clear properly. Also, if reading the registers when both the [Interrupt Status \(ISTAT\)](#) SIP and DIP bits may not be set, read the [SCSI Interrupt Status Zero \(SIST0\)](#) and [SCSI Interrupt Status One \(SIST1\)](#) registers the [DMA Status \(DSTAT\)](#) register to avoid missing a SCSI interrupt. For more information on interrupts, refer to [Chapter 2, "Functional Description."](#)

<b>M/A</b>	<b>Initiator Mode: Phase Mismatch; Target Mode: SATN/ Active</b>	<b>7</b>
	In the initiator mode, this bit is set if the SCSI phase asserted by the target does not match the instruction. The phase is sampled when SREQ/ is asserted by the target. In target mode, this bit is set when the SATN/ signal is asserted by the initiator.	
<b>CMP</b>	<b>Function Complete</b>	<b>6</b>
	This bit is set when an arbitration only or full arbitration sequence is completed.	

<b>SEL</b>	<b>Selected</b>	<b>5</b>
	<p>This bit is set when the LSI53C810A is selected by another SCSI device. The Enable Response to Selection bit must be set in the <a href="#">SCSI Chip ID (SCID)</a> register (and the <a href="#">Response ID (RESPID)</a> register must hold the chip's ID) for the LSI53C810A to respond to selection attempts.</p>	
<b>RSL</b>	<b>Reselected</b>	<b>4</b>
	<p>This bit is set when the LSI53C810A is reselected by another SCSI device. The Enable Response to Reselection bit must be set in the <a href="#">SCSI Chip ID (SCID)</a> register (and the <a href="#">Response ID (RESPID)</a> register must hold the chip's ID) for the LSI53C810A to respond to reselection attempts.</p>	
<b>SGE</b>	<b>SCSI Gross Error</b>	<b>3</b>
	<p>This bit is set when the LSI53C810A encounters a SCSI Gross Error Condition. The following conditions can result in a SCSI Gross Error Condition:</p> <ul style="list-style-type: none"> <li>• Data Underflow – reading the SCSI FIFO register when no data is present.</li> <li>• Data Overflow – writing too many bytes to the SCSI FIFO, or the synchronous offset causes overwriting the SCSI FIFO.</li> <li>• Offset Underflow – the LSI53C810A is operating in target mode and a SACK/ pulse is received when the outstanding offset is zero.</li> <li>• Offset Overflow – the other SCSI device sends a SREQ/ or SACK/ pulse with data which exceeds the maximum synchronous offset defined by the <a href="#">SCSI Transfer (SXFER)</a> register.</li> <li>• A phase change occurs with an outstanding synchronous offset when the LSI53C810A is operating as an initiator.</li> <li>• Residual data in the synchronous data FIFO – a transfer other than synchronous data receive is started with data left in the synchronous data FIFO.</li> </ul>	
<b>UDC</b>	<b>Unexpected Disconnect</b>	<b>2</b>
	<p>This bit is set when the LSI53C810A is operating in the initiator mode and the target device unexpectedly disconnects from the SCSI bus. This bit is only valid</p>	

when the LSI53C810A operates in the initiator mode. When the LSI53C810A operates in low level mode, any disconnect causes an interrupt, even a valid SCSI disconnect. This bit is also set if a selection time-out occurs (it may occur before, at the same time, or stacked after the STO interrupt, since this is not considered an expected disconnect).

**RST**                                 **SCSI RST/ Received**                                 **1**  
 This bit is set when the LSI53C810A detects an active SRST/ signal, whether the reset was generated external to the chip or caused by the Assert SRST/ bit in the [SCSI Control One \(SCNTL1\)](#) register. This SCSI reset detection logic is edge-sensitive, so that multiple interrupts are not generated for a single assertion of the SRST/ signal.

**PAR**                                 **Parity Error**                                 **0**  
 This bit is set when the LSI53C810A detects a parity error while receiving SCSI data. The Enable Parity Checking bit (bit 3 in the [SCSI Control Zero \(SCNTL0\)](#) register) must be set for this bit to become active. The LSI53C810A always generates parity when sending SCSI data.

**Register: 0x43 (0xC3)**  
**SCSI Interrupt Status One (SIST1)**  
**Read Only**

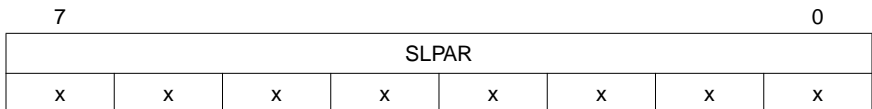
7					3	2	1	0
R					STO	GEN	HTH	
x	x	x	x	x	0	0	0	

Reading the [SCSI Interrupt Status One \(SIST1\)](#) register returns the status of the various interrupt conditions, whether they are enabled in the [SCSI Interrupt Enable One \(SIEN1\)](#) register or not. Each bit that is set indicates an occurrence of the corresponding condition.

Reading the [SCSI Interrupt Status One \(SIST1\)](#) register clears the interrupt condition.

<b>R</b>	<b>Reserved</b>	<b>[7:3]</b>
<b>STO</b>	<b>Selection or Reselection Time-out</b> When the SCSI device which the LSI53C810A is attempting to select or reselect does not respond within the programmed time-out period. See the description of the <a href="#">SCSI Timer Zero (STIME0)</a> register, bits [3:0], for more information on the time-out timer.	<b>2</b>
<b>GEN</b>	<b>General Purpose Timer Expired</b> This bit is set when the general purpose timer expires. The time measured is the time between enabling and disabling of the timer. See the description of the <a href="#">SCSI Timer One (STIME1)</a> register, bits [3:0], for more information on the general purpose timer.	<b>1</b>
<b>HTH</b>	<b>Handshake-to-Handshake Timer Expired</b> This bit is set when the handshake-to-handshake timer expires. The time measured is the SCSI Request to Request (target) or Acknowledge-to-Acknowledge (initiator) period. See the description of the <a href="#">SCSI Timer Zero (STIME0)</a> register, bits [7:4], for more information on the handshake-to-handshake timer.	<b>0</b>

**Register: 0x44 (0xC4)**  
**SCSI Longitudinal Parity (SLPAR)**  
Read/Write



**SLPAR**      **SCSI Longitudinal Parity**      **[7:0]**

This register performs a bitwise longitudinal parity check on all SCSI data received or sent through the SCSI core. If one of the bytes received or sent (usually the last) is the set of correct even parity bits, [SCSI Longitudinal Parity \(SLPAR\)](#) should go to zero (assuming it started at zero). As an example, suppose that the following three data bytes and one check byte are received from the SCSI bus (all signals are shown active HIGH):



Data Bytes	Running SLPAR
–	00000000
1. 11001100	11001100 (XOR of word 1)
2. 01010101	10011001 (XOR of word 1 and 2)
3. 00001111	10010110 (XOR of word 1, 2 and 3) Even parity >>> 10010110
4. 10010110	00000000

A one in any bit position of the final [SCSI Longitudinal Parity \(SLPAR\)](#) value would indicate a transmission error.

The [SCSI Longitudinal Parity \(SLPAR\)](#) register is also used to generate the check bytes for SCSI send operations. If the [SCSI Longitudinal Parity \(SLPAR\)](#) register contains all zeros prior to sending a block move, it contains the appropriate check byte at the end of the block move. This byte must then be sent across the SCSI bus.

**Note:** Writing any value to this register resets it to zero.

The longitudinal parity checks are meant to provide an added measure of SCSI data integrity and are entirely optional. This register does not latch SCSI selection/reselection IDs under any circumstances. The default value of this register is zero.

**Register: 0x46 (0xC6)**  
**Memory Access Control (MACNTL)**  
Read/Write

7				4	3	2	1	0
TYP[3:0]				DWR	DRD	PSCPT	SCPTS	
0	1	1	0	0	0	0	0	

**TYP[3:0]** **Chip Type** **[7:4]**

These bits identify the chip type for software purposes.

Bits 3 through 0 of this register are used to determine if an external bus master access is to local or far memory.

When bits 3 through 0 are set, the corresponding access is considered local and the MAC/\_TESTOUT pin is driven high. When these bits are cleared, the corresponding access is to far memory and the MAC/\_TESTOUT pin is driven low. This function is enabled after a Transfer Control SCRIPTS instruction is executed.

<b>DWR</b>	<b>DataWR</b>	<b>3</b>
	This bit is used to define if a data write is considered to be a local memory access.	
<b>DRD</b>	<b>DataRD</b>	<b>2</b>
	This bit is used to define if a data read is considered to be a local memory access.	
<b>PSCPT</b>	<b>Pointer SCRIPTS</b>	<b>1</b>
	This bit is used to define if a pointer to a SCRIPTS indirect or table indirect fetch is considered local memory access.	
<b>SCPTS</b>	<b>SCRIPTS</b>	<b>0</b>
	This bit is used to define if a SCRIPTS fetch is considered to be a local memory access.	

**Register: 0x47 (0xC7)**  
**General Purpose Pin Control (GPCNTL)**  
**Read/Write**

7	6	5			2	1	0
ME	FE	R			GPIO[1:0]		
0	0	x	0	1	1	1	1

This register is used to determine if the pins controlled by the [General Purpose \(GPREG\)](#) register are inputs or outputs. Bits [1:0] in [General Purpose Pin Control \(GPCNTL\)](#) correspond to bits [1:0] in the [General Purpose \(GPREG\)](#) register. When the bits are enabled as inputs, an internal pull-up is also enabled.

<b>ME</b>	<b>Master Enable</b>	<b>7</b>
	The internal bus master signal is presented on GPIO1 if this bit is set, regardless of the state of bit 1 (GPIO1_EN).	

- FE Fetch Enable 6**  
The internal opcode fetch signal is presented on GPIO0 if this bit is set, regardless of the state of bit 0 (GPIO0\_EN).
- R Reserved 5**
- GPIO\_EN[1:0] GPIO Enable [1:0]**  
These bits power up set, causing the GPIO1 and GPIO0 pins to become inputs. Resetting these bits causes GPIO[1:0] to become outputs.

**Register: 0x48 (0xC8)**  
**SCSI Timer Zero (STIME0)**  
Read/Write

7				4			3				0
HTH[3:0]				SEL[3:0]							
0	0	0	0	0	0	0	0	0	0	0	

- HTH[3:0] Handshake-to-Handshake Timer Period [7:4]**  
These bits select the handshake-to-handshake time-out period, the maximum time between SCSI handshakes (SREQ/ to SREQ/ in target mode, or SACK/ to SACK/ in initiator mode). When this timing is exceeded, an interrupt is generated and the HTH bit in the [SCSI Interrupt Status One \(SIST1\)](#) register is set. The following table contains time-out periods for the Handshake-to-Handshake Timer, the Selection/Reselection Timer (bits [3:0]), and the General Purpose Timer ([SCSI Timer One \(STIME1\)](#) bits [3:0]). For a more detailed explanation of interrupts, refer to [Chapter 2, "Functional Description."](#)

HTH[7:4], SEL[3:0], GEN[3:0] <sup>1</sup>	Minimum Timeout (40 MHz)	Minimum Timeout (50 MHz)
0000	Disabled	Disabled
0001	125 μs	100 μs
0010	250 μs	200 μs
0011	500 μs	400 μs
0100	1 ms	800 μs
0101	2 ms	1.6 ms

HTH[7:4], SEL[3:0], GEN[3:0] <sup>1</sup>	Minimum Timeout (40 MHz)	Minimum Timeout (50 MHz)
0110	4 ms	3.2 ms
0111	8 ms	6.4 ms
1000	16 ms	12.8 ms
1001	32 ms	25.6 ms
1010	64 ms	51.2 ms
1011	128 ms	102.4 ms
1100	256 ms	204.8 ms
1101	512 ms	409.6 ms
1110	1.024 s	819.2 ms
1111	2.048 s	1.6384 s

1. These values are correct if the CCF bits in the [SCSI Control Three \(SCNTL3\)](#) register are set according to the valid combinations in the bit description.

**SEL Selection Time-Out [3:0]**

These bits select the SCSI selection/reselection time-out period. When this timing (plus the 200  $\mu$ s selection abort time) is exceeded, the STO bit in the [SCSI Interrupt Status One \(SIST1\)](#) register is set. For a more detailed explanation of interrupts, refer to [Chapter 2, "Functional Description."](#)

**Register: 0x49 (0xC9)**

**SCSI Timer One (STIME1)**

Read/Write

7	4	3	0				
R				GEN[3:0]			
x	x	x	x	0	0	0	0

**R Reserved [7:4]**

**GEN[3:0] General Purpose Timer Period [3:0]**

These bits select the period of the general purpose timer. The time measured is the time between enabling and disabling of the timer. When this timing is exceeded, the

GEN bit in the [SCSI Interrupt Status One \(SIST1\)](#) register is set. Refer to the table under [SCSI Timer Zero \(STIME0\)](#), bits [3:0], for the available time-out periods.

**Note:** To reset a timer before it expires and obtain repeatable delays, the time value must be written to zero first, and then written back to the desired value. This is also required when changing from one time value to another. See [Chapter 2, "Functional Description,"](#) for an explanation of how interrupts are generated when the timers expire.

**Register: 0x4A (0xCA)**

**Response ID (RESPID)**

Read/Write

7							0
ID							
x	x	x	x	x	x	x	x

**RESPID**

**Response ID**

**[7:0]**

This register contains the IDs that the chip responds to on the SCSI bus. Each bit represents one possible ID with the most significant bit representing ID 7 and the least significant bit representing ID 0. The [SCSI Chip ID \(SCID\)](#) register still contains the chip ID used during arbitration. The chip can respond to more than one ID because more than one bit can be set in the [Response ID \(RESPID\)](#) register. However, the chip can arbitrate with only one ID value in the [SCSI Chip ID \(SCID\)](#) register.

**Register: 0x4C (0xCC)**  
**SCSI Test Zero (STEST0)**  
**Read Only**

7	6				4	3	2	1	0
R	SSAID				SLT	ART	SOZ	SOM	
x	x	x	x	x	0	x	1	1	

**R** **Reserved** **7**

**SSAID** **SCSI Selected As ID** **[6:4]**

These bits contain the encoded value of the SCSI ID that the LSI53C810A is selected or reselected as during a SCSI selection or reselection phase. These bits are read only and contain the encoded value of 0–7 possible IDs that could be used to select the LSI53C810A. During a SCSI selection or reselection phase, when a valid ID has been put on the bus, and the LSI53C810A responds to that ID, the “selected as” ID is written into these bits.

**SLT** **Selection Response Logic Test** **3**

This bit is set when the LSI53C810A is ready to be selected or reselected. This does not take into account the bus settle delay of 400 ns. This bit is used for functional test and fault purposes.

**ART** **Arbitration Priority Encoder Test** **2**

This bit is always set when the LSI53C810A exhibits the highest priority ID asserted on the SCSI bus during arbitration. It is primarily used for chip level testing, but it may be used during low level mode operation to determine if the LSI53C810A won arbitration.

**SOZ** **SCSI Synchronous Offset Zero** **1**

This bit indicates that the current synchronous SREQ/SACK offset is zero. This bit is not latched and may change at any time. It is used in low level synchronous SCSI operations. When this bit is set, the LSI53C810A functioning as an initiator, is waiting for the target to request data transfers. If the LSI53C810A is a target, then the initiator has sent the offset number of acknowledges.

**SOM**                      **SCSI Synchronous Offset Maximum**                      **0**

This bit indicates that the current synchronous SREQ/SACK offset is the maximum specified by bits [3:0] in the [SCSI Transfer \(SXFER\)](#) register. This bit is not latched and may change at any time. It is used in low level synchronous SCSI operations. When this bit is set, the LSI53C810A, as a target, is waiting for the initiator to acknowledge the data transfers. If the LSI53C810A is an initiator, then the target has sent the offset number of requests.

**Register: 0x4D (0xCD)**  
**SCSI Test One (STEST1)**  
**Read/Write**

7	6	5						0
SCLK	SISO	R						
0	0	x	x	x	x	x	x	

**SCLK**                      **SCSI Clock**                      **7**

When set, this bit disables the external SCLK (SCSI Clock) pin, and the chip uses the PCI clock as the internal SCSI clock. If a transfer rate of 10 Mbytes/s is desired on the SCSI bus, this bit must be cleared and the chip must be connected to at least a 40 MHz external SCLK.

**SISO**                      **SCSI Isolation Mode**                      **6**

This bit allows the LSI53C810A to put the SCSI bidirectional and input pins into a low power mode when the SCSI bus is not in use. When this bit is set, the SCSI bus inputs are logically isolated from the SCSI bus.

**R**                      **Reserved**                      **[5:0]**

**Register: 0x4E (0xCE)**  
**SCSI Test Two (STEST2)**  
**Read/Write**

7	6	5	4	3	2	1	0
SCE	ROF	R	SLB	SZM	R	EXT	LOW
0	0	x	0	0	x	0	0

**SCE**                      **SCSI Control Enable**                      **7**

Setting this bit allows assertion of all SCSI control and data lines through the [SCSI Output Control Latch \(SOCL\)](#) and [SCSI Output Data Latch \(SODL\)](#) registers regardless of whether the LSI53C810A is configured as a target or initiator.

Note: Do not set this bit during normal operation, since it could cause contention on the SCSI bus. It is included for diagnostic purposes only.

**ROF**                      **Reset SCSI Offset**                      **6**

Setting this bit clears any outstanding synchronous SREQ/SACK offset. Set this bit if a SCSI gross error condition occurs and to clear the offset when a synchronous transfer does not complete successfully. The bit automatically clears itself after resetting the synchronous offset.

**R**                      **Reserved**                      **5**

**SLB**                      **SCSI Loopback Mode**                      **4**

Setting this bit allows the LSI53C810A to perform SCSI loopback diagnostics. That is, it enables the SCSI core to simultaneously perform as both the initiator and the target.

**SZM**                      **SCSI High Impedance Mode**                      **3**

Setting this bit places all the open drain 48 mA SCSI drivers into a high impedance state. This is to allow internal loopback mode operation without affecting the SCSI bus.



<b>R</b>	<b>Reserved</b>	<b>2</b>
<b>EXT</b>	<b>Extend SREQ/SACK Filtering</b>	<b>1</b>
	LSI Logic TolerANT SCSI receiver technology includes a special digital filter on the SREQ/ and SACK/ pins which causes the disregarding of glitches on deasserting edges. Setting this bit increases the filtering period from 30 ns to 60 ns on the deasserting edge of the SREQ/ and SACK/ signals.	

Note: Never set this bit during fast SCSI (greater than 5 megatransfers per second) operations, because a valid assertion could be treated as a glitch.

<b>LOW</b>	<b>SCSI Low level Mode</b>	<b>0</b>
	Setting this bit places the LSI53C810A in low level mode. In this mode, no DMA operations occur, and no SCRIPTS execute. Arbitration and selection may be performed by setting the start sequence bit as described in the <a href="#">SCSI Control Zero (SCNTL0)</a> register. SCSI bus transfers are performed by manually asserting and polling SCSI signals. Clearing this bit allows instructions to be executed in SCSI SCRIPTS mode.	

Note: It is not necessary to set this bit for access to the SCSI bit-level registers ([SCSI Output Data Latch \(SODL\)](#), [SCSI Bus Control Lines \(SBCL\)](#), and input registers.

**Register: 0x4F (0xCF)**  
**SCSI Test Three (STEST3)**  
 Read/Write

7	6	5	4	3	2	1	0
TE	STR	HSC	DSI	R	TTM	CSF	STW
0	0	0	0	x	0	0	0

<b>TE</b>	<b>TolerANT Enable</b>	<b>7</b>
	Setting this bit enables the active negation portion of TolerANT technology. Active negation causes the SCSI Request, Acknowledge, Data, and Parity signals to be actively deasserted, instead of relying on external pull-ups, when the LSI53C810A is driving these signals. Active deassertion of these signals occurs only when the	

LSI53C810A is in an information transfer phase. TolerANT active negation should be enabled to improve setup and deassertion times at fast SCSI timings. Active negation is disabled after reset or when this bit is cleared. For more information on TolerANT technology, refer to [Chapter 1, “General Description.”](#)

<b>STR</b>	<b>SCSI FIFO Test Read</b>	<b>6</b>
	Setting this bit places the SCSI core into a test mode in which the SCSI FIFO is easily read. Reading the <a href="#">SCSI Output Data Latch (SODL)</a> register causes the FIFO to unload.	
<b>HSC</b>	<b>Halt SCSI Clock</b>	<b>5</b>
	Asserting this bit causes the internal divided SCSI clock to come to a stop in a glitchless manner. This bit is used for test purposes or to lower I <sub>DD</sub> during a power-down mode.	
<b>DSI</b>	<b>Disable Single Initiator Response</b>	<b>4</b>
	If this bit is set, the LSI53C810A ignores all bus-initiated selection attempts that employ the single initiator option from SCSI-1. In order to select the LSI53C810A while this bit is set, the LSI53C810A's SCSI ID and the initiator's SCSI ID must both be asserted. Assert this bit in SCSI-2 systems so that a single bit error on the SCSI bus is not interpreted as a single initiator response.	
<b>R</b>	<b>Reserved</b>	<b>3</b>
<b>TTM</b>	<b>Timer Test Mode</b>	<b>2</b>
	Setting this bit facilitates testing of the selection time-out, general purpose, and handshake-to-handshake timers by greatly reducing all three time-out periods. Setting this bit starts all three timers and if the respective bits in the <a href="#">SCSI Interrupt Enable One (SIEN1)</a> register are set, the LSI53C810A generates interrupts at time-out. This bit is intended for internal manufacturing diagnosis and should not be used.	
<b>CSF</b>	<b>Clear SCSI FIFO</b>	<b>1</b>
	Setting this bit causes the “full flags” for the SCSI FIFO to be cleared. This empties the FIFO. This bit is self-clearing. In addition to the SCSI FIFO pointers, the	

SCSI Input Data Latch (SIDL), SCSI Output Data Latch (SODL), and SODR full bits in the SCSI Status Zero (SSTAT0) register are cleared.

**STW**                         **SCSI FIFO Test Write**   **0**

Setting this bit places the SCSI core into a test mode in which the FIFO is easily written. While this bit is set, writes to the SCSI Output Data Latch (SODL) register cause the entire word contained in this register to be loaded into the FIFO. Writing the least significant byte of the SCSI Output Data Latch (SODL) register causes the FIFO to load.

**Register: 0x50 (0xD0)**  
**SCSI Input Data Latch (SIDL)**  
**Read Only**

	SIDL																
15																	0
	x	x	x	x	x	x	x	x	x	x	x	x	x	x	x	x	

**SIDL**                         **SCSI Input Data Latch**   **[15:0]**

This register is used primarily for diagnostic testing, programmed I/O operation, or error recovery. Data received from the SCSI bus can be read from this register. Data can be written to the SCSI Output Data Latch (SODL) register and then read back into the LSI53C810A by reading this register to allow loopback testing. When receiving SCSI data, the data flows into this register and out to the host FIFO. This register differs from the SCSI Bus Data Lines (SBDL) register; SCSI Input Data Latch (SIDL) contains latched data and the SCSI Bus Data Lines (SBDL) always contains exactly what is currently on the SCSI data bus. Reading this register causes the SCSI parity bit to be checked, and causes a parity error interrupt if the data is not valid. The power-up values are indeterminate.

**Registers: 0x54 (0xD4)**  
**SCSI Output Data Latch (SODL)**  
**Read/Write**

15	SODL														0	
x	x	x	x	x	x	x	x	x	x	x	x	x	x	x	x	x

**SODL**                      **SCSI Output Data Latch**                      **[15:0]**

This register is used primarily for diagnostic testing or programmed I/O operation. Data written to this register is asserted onto the SCSI data bus by setting the Assert Data Bus bit in the [SCSI Control One \(SCNTL1\)](#) register. This register is used to send data using programmed I/O. Data flows through this register when sending data in any mode. It is also used to write to the synchronous data FIFO when testing the chip. The power-up value of this register is indeterminate.

**Registers: 0x58 (0xD8)**  
**SCSI Bus Data Lines (SBDL)**  
**Read Only**

15	SBDL														0	
x	x	x	x	x	x	x	x	x	x	x	x	x	x	x	x	x

**SBDL**                      **SCSI Bus Data Lines**                      **[15:0]**

This register contains the SCSI data bus status. Even though the SCSI data bus is active low, these bits are active high. The signal status is not latched and is a true representation of exactly what is on the data bus at the time the register is read. This register is used when receiving data using programmed I/O. This register can also be used for diagnostic testing or in low level mode. The power-up value of this register is indeterminate.

# Chapter 6

## Instruction Set of the I/O Processor

---

This chapter is divided into the following sections:

- [Section 6.1, “Low Level Register Interface Mode”](#)
- [Section 6.2, “SCSI SCRIPTS”](#)
- [Section 6.3, “Block Move Instructions”](#)
- [Section 6.4, “I/O Instruction”](#)
- [Section 6.5, “Read/Write Instructions”](#)
- [Section 6.6, “Transfer Control Instructions”](#)
- [Section 6.7, “Memory Move Instructions”](#)
- [Section 6.8, “Load and Store Instructions”](#)

After power-up and initialization, the LSI53C810A can be operated in the low level register interface mode or using SCSI SCRIPTS.

---

### 6.1 Low Level Register Interface Mode

With the low level register interface mode, the user has access to the DMA control logic and the SCSI bus control logic. An external processor has access to the SCSI bus signals and the low level DMA signals, which allows creation of complicated board level test algorithms. The low level interface is useful for backward compatibility with SCSI devices that require certain unique timings or bus sequences to operate properly. Another feature allowed at the low level is loopback testing. In loopback mode, the SCSI core can be directed to talk to the DMA core to test internal data paths all the way out to the chip’s pins.

---

## 6.2 SCSI SCRIPTS

To operate in the SCSI SCRIPTS mode, the LSI53C810A requires only a SCRIPTS start address. The start address must be at a Dword (four byte) boundary. This aligns subsequent SCRIPTS at a Dword boundary since all SCRIPTS are 8 or 12 bytes long. All instructions are fetched from external memory. The LSI53C810A fetches and executes its own instructions by becoming a bus master on the host bus and fetching two or three 32-bit words into its registers. Instructions are fetched until an interrupt instruction is encountered, or until an unexpected event (such as a hardware error) causes an interrupt to the external processor.

Once an interrupt is generated, the LSI53C810A halts all operations until the interrupt is serviced. Then, the start address of the next SCRIPTS instruction may be written to the [DMA SCRIPTS Pointer \(DSP\)](#) register to restart the automatic fetching and execution of instructions.

The SCSI SCRIPTS mode of execution allows the LSI53C810A to make decisions based on the status of the SCSI bus, which offloads the microprocessor from servicing the numerous interrupts inherent in I/O operations.

Given the rich set of SCSI oriented features included in the instruction set, and the ability to re-enter the SCSI algorithm at any point, this high level interface is all that is required for both normal and exception conditions. Switching to low level mode for error recovery should never be required.

The following types of SCRIPTS instructions are implemented in the LSI53C810A as shown in [Table 6.1](#):

**Table 6.1    SCRIPTS Instructions**

<b>Instruction</b>	<b>Description</b>
Block Move	Block Move instruction moves data between the SCSI bus and memory.
I/O or Read/Write	I/O or Read/Write instructions cause the LSI53C810A to trigger common SCSI hardware sequences, or to move registers.
Transfer Control	Transfer Control instruction allows SCRIPTS instructions to make decisions based on real time SCSI bus conditions.
Memory Move	Memory Move instruction causes the LSI53C810A to execute block moves between different parts of main memory.
Load and Store	Load and Store instructions provide a more efficient way to move data to/from memory from/to an internal register in the chip without using the Memory Move instruction.

Each instruction consists of two or three 32-bit words. The first 32-bit word is always loaded into the [DMA Command \(DCMD\)](#) and [DMA Byte Counter \(DBC\)](#) registers, the second into the [DMA SCRIPTS Pointer Save \(DSPS\)](#) register. The third word, used only by Memory Move instructions, is loaded into the [Temporary \(TEMP\)](#) shadow register. In an indirect I/O or Move instruction, the first two 32-bit opcode fetches are followed by one or two more 32-bit fetch cycles.

## 6.2.1 Sample Operation

This sample operation describes execution of a SCRIPTS instruction for a Block Move instruction.

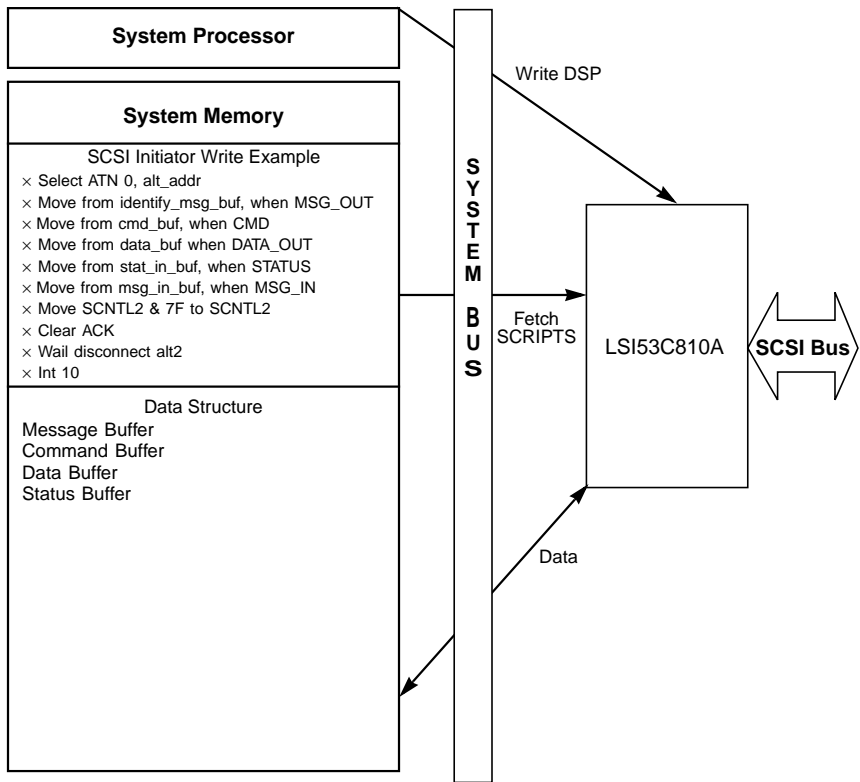
- The host CPU, through programmed I/O, gives the [DMA SCRIPTS Pointer \(DSP\)](#) register (in the Operating register file) the starting address in main memory that points to a SCSI SCRIPTS program for execution.
- Loading the [DMA SCRIPTS Pointer \(DSP\)](#) register causes the LSI53C810A to request use of the PCI bus to fetch its first instruction from main memory at the address just loaded.

- The LSI53C810A typically fetches two Dwords (64 bits) and decodes the high order byte of the first Dword as a SCRIPTS instruction. If the instruction is a Block Move, the lower three bytes of the first Dword are stored and interpreted as the number of bytes to be moved. The second Dword is stored and interpreted as the 32-bit beginning address in main memory to which the move is directed.
- For a SCSI send operation, the LSI53C810A waits until there is enough space in the DMA FIFO to transfer a programmable size block of data. For a SCSI receive operation, it waits until enough data is collected in the DMA FIFO for transfer to memory. At this point, the LSI53C810A requests use of the PCI bus again to transfer the data.
- When the LSI53C810A is granted the PCI bus, it executes (as a bus master) a burst transfer (programmable size) of data, decrements the internally stored remaining byte count, increments the address pointer, and then releases the PCI bus. The LSI53C810A stays off the PCI bus until the FIFO can again hold (for a write) or has collected (for a read) enough data to repeat the process.

The process repeats until the internally stored byte count has reached zero. The LSI53C810A releases the PCI bus and performs another SCRIPTS instruction fetch cycle, using the incremented stored address maintained in the [DMA SCRIPTS Pointer \(DSP\)](#) register. Execution of SCRIPTS instructions continues until an error condition occurs or an interrupt SCRIPTS instruction is received. At this point, the LSI53C810A interrupts the host CPU and waits for further servicing by the host system. It can execute independent Block Move instructions specifying new byte counts and starting locations in main memory. In this manner, the LSI53C810A performs scatter/gather operations on data without requiring help from the host program, generating a host interrupt, or requiring an external DMA controller to be programmed. [Figure 6.1](#) illustrates a SCRIPTS Initiator Write operation, which uses several Block Move instructions.



**Figure 6.1 SCRIPTS Overview**



## 6.3 Block Move Instructions

The Block Move SCRIPTS instruction is used to move data between the SCSI bus and memory. For a Block Move instruction, the LSI53C810A operates much like a chaining DMA device with a SCSI controller attached. Figure 6.2 illustrates the register bit values that represent a Block Move instruction. In Block Move instructions, bits 5 and 4 (SIOM and DIOM) in the DMA Mode (DMODE) register determine whether the source/destination address resides in memory or I/O space. When data is being moved onto the SCSI bus, SIOM controls whether that data comes from I/O or memory space. When data is being moved off of the SCSI bus, DIOM controls whether that data goes to I/O or memory space.

### 6.3.1 First Dword

IT[1:0]                      **Instruction Type - Block Move**                      [31:30]

IA                              **Indirect Addressing**    29

When this bit is cleared, user data is moved to or from the 32-bit data start address for the Block Move instruction. The value is loaded into the chip's address register and incremented as data is transferred. The address of data to be moved is in the second Dword of this instruction.

When set, the 32-bit user data start address for the Block Move is the address of a pointer to the actual data buffer address. The value at the 32-bit start address is loaded into the chip's [DMA Next Address \(DNAD\)](#) register using a third Dword fetch (4-byte transfer across the host computer bus).

#### **Direct Addressing**

The byte count and absolute address are:

Command	Byte Count
Address of Data	

#### **Indirect Addressing**

Use the fetched byte count, but fetch the data address from the address in the instruction.

Command	Byte Count
Address of Pointer to Data	

Once the data pointer address is loaded, it is executed as when the chip operates in the direct mode. This indirect feature allows a table of data buffer addresses to be specified. Using the SCSI SCRIPTS assembler, the table offset is placed in the SCRIPTS file when the program is assembled. Then at the actual data transfer time, the offsets are added to the base address of the data address table by the external processor. The logical I/O driver builds a structure of addresses for an I/O rather than treating each address individually. This feature makes it possible to locate SCSI SCRIPTS in a PROM.

Note: Do not use indirect and table indirect addressing simultaneously; use only one addressing method at a time.

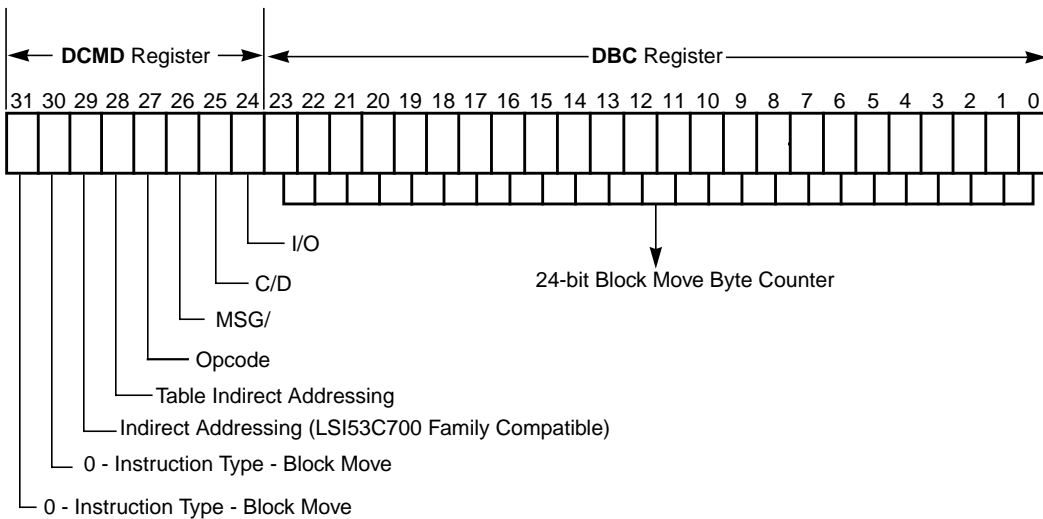
**TIA** **Table Indirect Addressing** **28**

When this bit is set, the 24-bit signed value in the start address of the move is treated as a relative displacement from the value in the [Data Structure Address \(DSA\)](#) register. Both the transfer count and the source/destination address are fetched from this location.

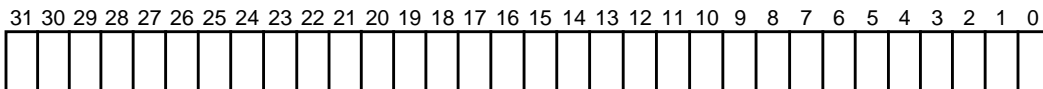
Use the signed integer offset in bits [23:0] of the second four bytes of the instruction, added to the value in the [Data Structure Address \(DSA\)](#) register, to fetch first the byte count and then the data address. The signed value is combined with the data structure base address to generate the physical address used to fetch values from the data structure. Sign extended values of all ones for negative values are allowed, but bits [31:24] are ignored.

Command	Not Used
Don't Care	Table Offset

**Figure 6.2 Block Move Instruction Register**



**DSPS Register**



Prior to the start of an I/O, the [Data Structure Address \(DSA\)](#) register should be loaded with the base address of the I/O data structure. The address may be any address on a Dword boundary.

After a Table Indirect opcode is fetched, the DSA is added to the 24-bit signed offset value from the opcode to generate the address of the required data; both positive and negative offsets are allowed. A subsequent fetch from that address brings the data values into the chip.

For a MOVE instruction, the 24-bit byte count is fetched from system memory. Then the 32-bit physical address is brought into the LSI53C810A. Execution of the move begins at this point.

SCRIPTS can directly execute operating system I/O data structures, saving time at the beginning of an I/O operation. The I/O data structure can begin on any Dword boundary and may cross system segment boundaries.

There are two restrictions on the placement of pointer data in system memory:

- the eight bytes of data in the MOVE instruction must be contiguous, as shown below, and
- indirect data fetches are not available during execution of a Memory-to-Memory DMA operation.

00	Byte Count
Physical Data Address	

### OpCode 27

This 1-bit field defines the instruction to be executed as a block move (MOVE).

### Target Mode

OPC	Instruction Defined
0	MOVE
1	Reserved

These instructions perform the following steps:

1. The LSI53C810A verifies that it is connected to the SCSI bus as a Target before executing this instruction.
2. The LSI53C810A asserts the SCSI phase signals (MSG/, SC\_D/, and SI\_O/) as defined by the Phase Field bits in the instruction.
3. If the instruction is for the command phase, the LSI53C810A receives the first command byte and decodes its SCSI Group Code.
  - If the SCSI Group Code is either Group 0, Group 1, Group 2, or Group 5, then the LSI53C810A overwrites the [DMA Byte Counter \(DBC\)](#) register with the length of the Command Descriptor Block: 6, 10, or 12 bytes.

- If any other Group Code is received, the [DMA Byte Counter \(DBC\)](#) register is not modified and the LSI53C810A will request the number of bytes specified in the [DMA Byte Counter \(DBC\)](#) register. If the [DMA Byte Counter \(DBC\)](#) register contains 0x000000, an illegal instruction interrupt is generated.
- 4. The LSI53C810A transfers the number of bytes specified in the [DMA Byte Counter \(DBC\)](#) register starting at the address specified in the [DMA Next Address \(DNAD\)](#) register.
- 5. If the SATN/ signal is asserted by the Initiator or a parity error occurred during the transfer, the transfer can optionally be halted and an interrupt generated. The Disable Halt on Parity Error or ATN bit in the [SCSI Control One \(SCNTL1\)](#) register controls whether the LSI53C810A halts on these conditions immediately, or waits until completion of the current Move.

#### Initiator Mode

OPC	Instruction Defined
0	Reserved
1	MOVE

These instructions perform the following steps:

1. The LSI53C810A verifies that it is connected to the SCSI bus as an Initiator before executing this instruction.
2. The LSI53C810A waits for an unserviced phase to occur. An unserviced phase is any phase (with SREQ/ asserted) for which the LSI53C810A has not yet transferred data by responding with a SACK/.

3. The LSI53C810A compares the SCSI phase bits in the **DMA Command (DCMD)** register with the latched SCSI phase lines stored in the **SCSI Status One (SSTAT1)** register. These phase lines are latched when SREQ/ is asserted.
4. If the SCSI phase bits match the value stored in the SCSI **SCSI Status One (SSTAT1)** register, the LSI53C810A transfers the number of bytes specified in the **DMA Byte Counter (DBC)** register starting at the address pointed to by the **DMA Next Address (DNAD)** register.
5. If the SCSI phase bits do not match the value stored in the **SCSI Status One (SSTAT1)** register, the LSI53C810A generates a phase mismatch interrupt and the instruction is not executed.
6. During a Message-Out phase, after the LSI53C810A has performed a select with Attention (or SATN/ is manually asserted with a Set ATN instruction), the LSI53C810A deasserts SATN/ during the final SREQ/SACK/ handshake of the first move of Message-Out bytes after SATN/ was set.
7. When the LSI53C810A is performing a block move for Message-In phase, it does not deassert the SACK/ signal for the last SREQ/SACK/ handshake. Clear the SACK/ signal using the Clear SACK I/O instruction.

**SCSIP[2:0]**

**SCSI Phase**

**[26:24]**

This 3-bit field defines the desired SCSI information transfer phase. When the LSI53C810A operates in Initiator mode, these bits are compared with the latched SCSI phase bits in the **SCSI Status One (SSTAT1)** register. When the LSI53C810A operates in Target mode, the LSI53C810A asserts the phase defined in this field. The following table describes the possible combinations and the corresponding SCSI phase.

MSG	C_D	I_O	SCSI Phase
0	0	0	Data-Out
0	0	1	Data-In
0	1	0	Command
0	1	1	Status
1	0	0	Reserved-Out
1	0	1	Reserved-In
1	1	0	Message-Out
1	1	1	Message-In

**TC[23:0]**

**Transfer Counter**

**[23:0]**

This 24-bit field specifies the number of data bytes to be moved between the LSI53C810A and system memory. The field is stored in the [DMA Byte Counter \(DBC\)](#) register. When the LSI53C810A transfers data to/from memory, the [DMA Byte Counter \(DBC\)](#) register is decremented by the number of bytes transferred. In addition, the [DMA Next Address \(DNAD\)](#) register is incremented by the number of bytes transferred. This process is repeated until the [DMA Byte Counter \(DBC\)](#) register has been decremented to zero. At that time, the LSI53C810A fetches the next instruction.

If bit 28 is set, indicating table indirect addressing, this field is not used. The byte count is instead fetched from a table pointed to by the [Data Structure Address \(DSA\)](#) register.

### 6.3.2 Second Dword

**Start Address**

**[31:0]**

This 32-bit field specifies the starting address of the data to be moved to/from memory. This field is copied to the [DMA Next Address \(DNAD\)](#) register. When the LSI53C810A transfers data to or from memory, the [DMA Next Address \(DNAD\)](#) register is incremented by the number of bytes transferred.

When bit 29 is set, indicating indirect addressing, this address is a pointer to an address in memory that points to the data location. When bit 28 is set, indicating table



indirect addressing, the value in this field is an offset into a table pointed to by the [Data Structure Address \(DSA\)](#). The table entry contains byte count and address information.

---

## 6.4 I/O Instruction

The I/O SCRIPTS instruction causes the LSI53C810A to trigger common SCSI hardware sequences such as Set/Clear ACK, Set/Clear ATN, Set/Clear Target Mode, Select With ATN, or Wait for Reselect.

### 6.4.1 First Dword

IT[1:0]	<b>Instruction Type - I/O Instruction</b>	<b>[31:30]</b>
OPC[2:0]	<b>OpCode</b> The following OpCode bits have different meanings, depending on whether the LSI53C810A is operating in initiator or target mode.	<b>[29:27]</b>

**Note:** OpCode selections 101–111 are considered Read/Write instructions, and are described [Section 6.5, “Read/Write Instructions.”](#)

#### Target Mode

OPC2	OPC1	OPC0	Instruction Defined
0	0	0	Reselect
0	0	1	Disconnect
0	1	0	Wait Select
0	1	1	Set
1	0	0	Clear

### **Reselect Instruction**

1. The LSI53C810A arbitrates for the SCSI bus by asserting the SCSI ID stored in the [SCSI Chip ID \(SCID\)](#) register. If it loses arbitration, it tries again during the next available arbitration cycle without reporting any lost arbitration status.
2. If the LSI53C810A wins arbitration, it attempts to reselect the SCSI device whose ID is defined in the destination ID field of the instruction. Once the LSI53C810A wins arbitration, it fetches the next instruction from the address pointed to by the [DMA SCRIPTS Pointer \(DSP\)](#) register. This way the SCRIPTS can move on to the next instruction before the reselection completes. It continues executing SCRIPTS until a SCRIPT that requires a response from the Initiator is encountered.
3. If the LSI53C810A is selected or reselected before winning arbitration, it fetches the next instruction from the address pointed to by the 32-bit jump address field stored in the [DMA Next Address \(DNAD\)](#) register. Manually set the LSI53C810A to Initiator mode if it is reselected, or to Target mode if it is selected.

### **Disconnect Instruction**

The LSI53C810A disconnects from the SCSI bus by deasserting all SCSI signal outputs.

### Wait Select Instruction

1. If the LSI53C810A is selected, it fetches the next instruction from the address pointed to by the [DMA SCRIPTS Pointer \(DSP\)](#) register.
2. If reselected, the LSI53C810A fetches the next instruction from the address pointed to by the 32-bit jump address field stored in the [DMA Next Address \(DNAD\)](#) register. Manually set the LSI53C810A to Initiator mode when it is reselected.
3. If the CPU sets the SIGP bit in the [SCSI Status Zero \(SSTAT0\)](#) register, the LSI53C810A aborts the Wait Select instruction and fetches the next instruction from the address pointed to by the 32-bit jump address field stored in the [DMA Next Address \(DNAD\)](#) register.

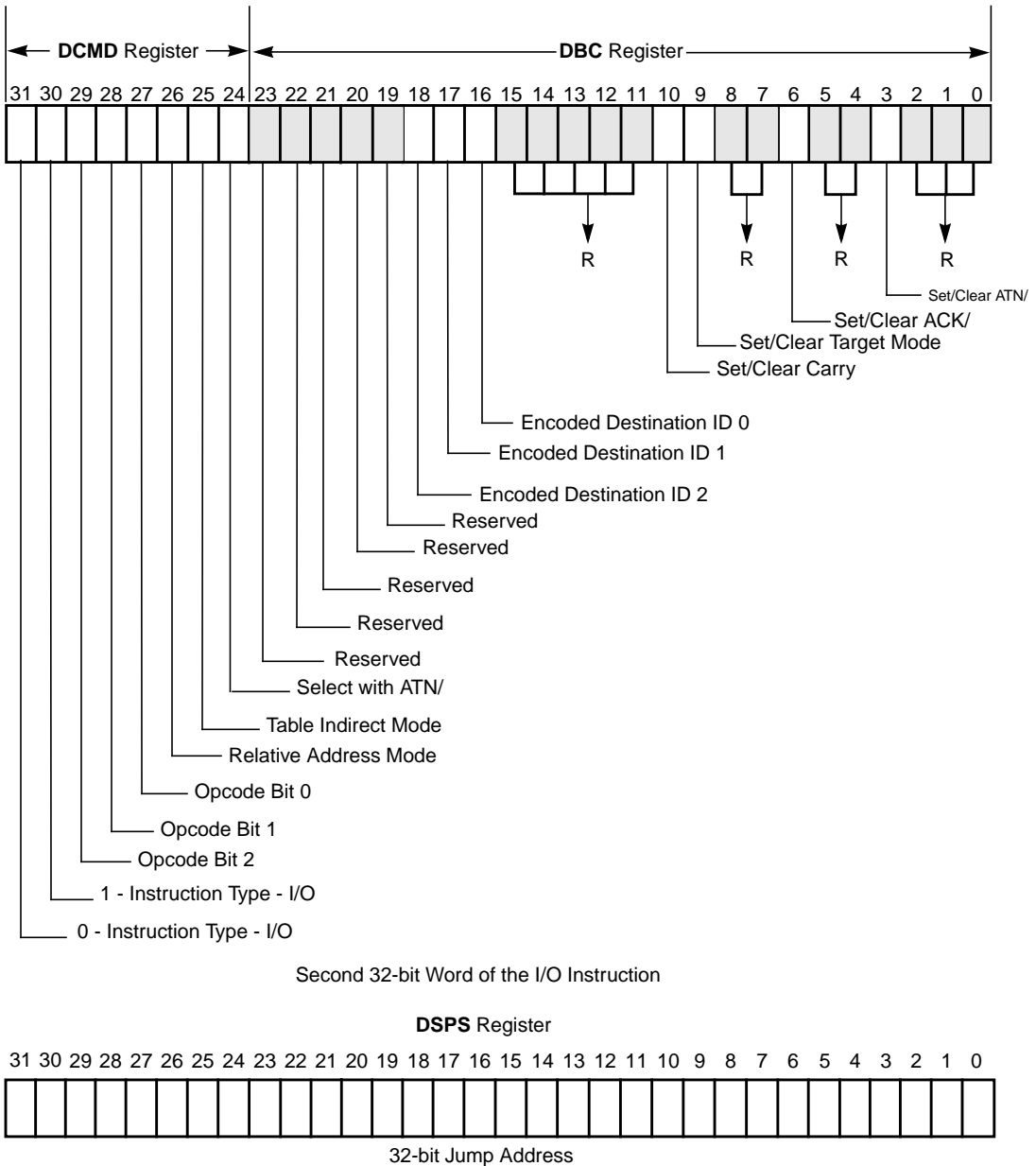
### Set Instruction

When the SACK/ or SATN/ bits are set, the corresponding bits in the [SCSI Output Control Latch \(SOCL\)](#) register are set. Do not set SACK/ or SATN/ except for testing purposes. When the target bit is set, the corresponding bit in the [SCSI Control Zero \(SCNTL0\)](#) register is also set. When the carry bit is set, the corresponding bit in the Arithmetic Logic Unit (ALU) is set.

**Note:** None of the signals are set on the SCSI bus in Target mode.

Figure 6.3 illustrates the register bit values that represent an I/O instruction.

**Figure 6.3 I/O Instruction Register**



### Clear Instruction

When the SACK/ or SATN/ bits are cleared, the corresponding bits are cleared in the [SCSI Output Control Latch \(SOCL\)](#) register. Do not set SACK/ or SATN/ except for testing purposes. When the target bit is cleared, the corresponding bit in the [SCSI Control Zero \(SCNTL0\)](#) register is cleared. When the carry bit is cleared, the corresponding bit in the ALU is cleared.

Note: None of the signals are cleared on the SCSI bus in Target mode.

### Initiator Mode

OPC2	OPC1	OPC0	Instruction Defined
0	0	0	Select
0	0	1	Wait Disconnect
0	1	0	Wait Reselect
0	1	1	Set
1	0	0	Clear

### Select Instruction

1. The LSI53C810A arbitrates for the SCSI bus by asserting the SCSI ID stored in the [SCSI Chip ID \(SCID\)](#) register. If it loses arbitration, it tries again during the next available arbitration cycle without reporting any lost arbitration status.
2. If the LSI53C810A wins arbitration, it attempts to select the SCSI device whose ID is defined in the destination ID field of the instruction. Once the LSI53C810A wins arbitration, it fetches the next instruction from the address pointed to by the [DMA SCRIPTS Pointer \(DSP\)](#) register. This way the SCRIPTS can move to the next instruction before the selection completes. It continues executing SCRIPTS until a SCRIPT that requires a response from the Target is encountered.
3. If the LSI53C810A is selected or reselected before winning arbitration, it fetches the next instruction from the address pointed to by the 32-bit jump address

field stored in the [DMA Next Address \(DNAD\)](#) register. Manually set the LSI53C810A to Initiator mode if it is reselected, or to Target mode if it is selected.

4. If the Select with SATN/ field is set, the SATN/ signal is asserted during the selection phase.

### **Wait Disconnect Instruction**

1. The LSI53C810A waits for the Target to perform a “legal” disconnect from the SCSI bus. A “legal” disconnect occurs when SBSY/ and SSEL/ are inactive for a minimum of one Bus Free delay (400 ns), after the LSI53C810A has received a Disconnect Message or a Command Complete Message.

### **Wait Reselect Instruction**

1. If the LSI53C810A is selected before being reselected, it fetches the next instruction from the address pointed to by the 32-bit jump address field stored in the [DMA Next Address \(DNAD\)](#) register. Manually set the LSI53C810A to Target mode when it is selected.
2. If the LSI53C810A is reselected, it fetches the next instruction from the address pointed to by the [DMA SCRIPTS Pointer \(DSP\)](#) register.
3. If the CPU sets the SIGP bit in the [Interrupt Status \(ISTAT\)](#) register, the LSI53C810A aborts the Wait Reselect instruction and fetches the next instruction from the address pointed to by the 32-bit jump address field stored in the [DMA Next Address \(DNAD\)](#) register.

### **Set Instruction**

When the SACK/ or SATN/ bits are set, the corresponding bits in the [SCSI Output Control Latch \(SOCL\)](#) register are set. When the target bit is set, the corresponding bit in the [SCSI Control Zero \(SCNTL0\)](#) register is also set. When the Carry bit is set, the corresponding bit in the ALU is set.

### **Clear Instruction**

When the SACK/or SATN/ bits are cleared, the corresponding bits are cleared in the [SCSI Output Control Latch \(SOCL\)](#) register. When the target bit is cleared, the corresponding bit in the [SCSI Control Zero \(SCNTL0\)](#) register is cleared. When the Carry bit is cleared, the corresponding bit in the ALU is cleared.

### **RA Relative Addressing Mode 26**

When this bit is set, the 24-bit signed value in the [DMA Next Address \(DNAD\)](#) register is used as a relative displacement from the current [DMA SCRIPTS Pointer \(DSP\)](#) address. Use this bit only in conjunction with the Select, Reselect, Wait Select, and Wait Reselect instructions. The Select and Reselect instructions can contain an absolute alternate jump address or a relative transfer address.

### **TI Table Indirect Mode 25**

When this bit is set, the 24-bit signed value in the [DMA Byte Counter \(DBC\)](#) register is added to the value in the [Data Structure Address \(DSA\)](#) register, and used as an offset relative to the value in the [Data Structure Address \(DSA\)](#) register. The [SCSI Control Three \(SCNTL3\)](#) value, SCSI ID, synchronous offset and synchronous period are loaded from this address. Prior to the start of an I/O, load the [Data Structure Address \(DSA\)](#) with the base address of the I/O data structure. Any address on a Dword boundary is allowed. After a Table Indirect opcode is fetched, the [Data Structure Address \(DSA\)](#) is added to the 24-bit signed offset value from the opcode to generate the address of the required data. Both positive and negative offsets are allowed. A subsequent fetch from that address brings the data values into the chip.

SCRIPTS can directly execute operating system I/O data structures, saving time at the beginning of an I/O operation. The I/O data structure can begin on any Dword boundary and may cross system segment boundaries. There are two restrictions on the placement of data in system memory:

- The I/O data structure must lie within the 8 Mbytes above or below the base address.

- An I/O command structure must have all four bytes contiguous in system memory, as shown below. The offset/period bits are ordered as in the [SCSI Transfer \(SXFER\)](#) register. The configuration bits are ordered as in the [SCSI Control Three \(SCNTL3\)](#) register.

Config	ID	Offset/period	00
--------	----	---------------	----

Use this bit only in conjunction with the Select, Reselect, Wait Select, and Wait Reselect instructions. Use bits 25 and 26 individually or in combination to produce the following conditions:

	Bit 25	Bit 26
Direct	0	0
Table Indirect	0	1
Relative	1	0
Table Relative	1	1

#### Direct

Uses the device ID and physical address in the instruction.

Command	ID	Not Used	Not Used
Absolute Alternate Address			

#### Table Indirect

Uses the physical jump address, but fetches data using the table indirect method.

Command	Table Offset
Absolute Jump Offset	

#### Relative

Uses the device ID in the instruction, but treats the alternate address as a relative jump.

Command	ID	Not Used	Not Used
Absolute Jump Offset			



### Table Relative

Treats the alternate jump address as a relative jump and fetches the device ID, synchronous offset, and synchronous period indirectly. The value in bits [23:0] of the first four bytes of the SCRIPTS instruction is added to the data structure base address to form the fetch address.

Command	Table Offset
Absolute Jump Offset	

<b>Sel</b>	<b>Select with ATN/</b>	<b>24</b>
	This bit specifies whether SATN/ is asserted during the selection phase when the LSI53C810A is executing a Select instruction. When operating in Initiator mode, set this bit for the Select instruction. If this bit is set on any other I/O instruction, an illegal instruction interrupt is generated.	
<b>ENDID</b>	<b>Encoded SCSI Destination ID</b>	<b>[18:16]</b>
	This 3-bit field specifies the destination SCSI ID for an I/O instruction.	
<b>CC</b>	<b>Set/Clear Carry</b>	<b>10</b>
	This bit is used in conjunction with a Set or Clear instruction to set or clear the Carry bit. Setting this bit with a Set instruction asserts the Carry bit in the ALU. Setting this bit with a Clear instruction deasserts the Carry bit in the ALU.	
<b>TM</b>	<b>Set/Clear Target Mode</b>	<b>9</b>
	This bit is used in conjunction with a Set or Clear instruction to set or clear Target mode. Setting this bit with a Set instruction configures the LSI53C810A as a target device (this sets bit 0 of the <a href="#">SCSI Control Zero (SCNTL0)</a> register). Clearing this bit with a Clear instruction configures the LSI53C810A as an Initiator device (this clears bit 0 of the <a href="#">SCSI Control Zero (SCNTL0)</a> register).	

<b>ACK</b>	<b>Set/Clear SACK/</b>	<b>6</b>
<b>ATN</b>	<b>Set/Clear SATN/</b>	<b>3</b>
	<p>These two bits are used in conjunction with a Set or Clear instruction to assert or deassert the corresponding SCSI control signal. Bit 6 controls the SCSI SACK/ signal. Bit 3 controls the SCSI SATN/ signal.</p> <p>Setting either of these bits sets or resets the corresponding bit in the <a href="#">SCSI Output Control Latch (SOCL)</a> register, depending on the instruction used. The Set instruction is used to assert SACK/ and/or SATN/ on the SCSI bus. The Clear instruction is used to deassert SACK/ and/or SATN/ on the SCSI bus.</p> <p>Since SACK/ and SATN/ are Initiator signals, they are not asserted on the SCSI bus unless the LSI53C810A is operating as an Initiator or the SCSI Loopback Enable bit is set in the <a href="#">SCSI Test Two (STEST2)</a> register.</p> <p>The Set/Clear SCSI ACK/ATN instruction is used after message phase Block Move operations to give the Initiator the opportunity to assert attention before acknowledging the last message byte. For example, if the initiator wishes to reject a message, it issues an Assert SCSI ATN instruction before a Clear SCSI ACK instruction.</p>	
<b>R</b>	<b>Reserved</b>	<b>[2:0]</b>

## 6.4.2 Second Dword

<b>SA</b>	<b>Start Address</b>	<b>[31:0]</b>
	<p>This 32-bit field contains the memory address to fetch the next instruction if the selection or reselection fails.</p> <p>If relative or table relative addressing is used, this value is a 24-bit signed offset relative to the current <a href="#">DMA SCRIPTS Pointer (DSP)</a> register value.</p>	

---

## 6.5 Read/Write Instructions

The Read/Write instruction type moves the contents of one register to another, or performs arithmetic operations such as AND, OR, XOR, Addition, and Shift.

### 6.5.1 First Dword

<b>IT[1:0]</b>	<b>Instruction Type - Read/Write Instruction</b> [31:30] The Read/Write instruction uses operator bits 26 through 24 in conjunction with the opcode bits to determine which instruction is currently selected.
<b>OPC[2:0]</b>	<b>OpCode</b> [29:27] The combinations of these bits determine if the instruction is a Read/Write or an I/O instruction. Opcodes 0b000 through 0b100 are considered I/O instructions. Refer to <a href="#">Table 6.2</a> for field definitions.
<b>O[2:0]</b>	<b>Operator</b> [26:24] These bits are used in conjunction with the opcode bits to determine which instruction is currently selected. Refer to <a href="#">Table 6.2</a> for field definitions.
<b>A[6:0]</b>	<b>Register Address - A[6:0]</b> [22:16] It is possible to change register values from SCRIPTS in read-modify-write cycles or move to/from SFBR cycles. A[6:0] select an 8-bit source/destination register within the LSI53C810A.

### 6.5.2 Second Dword

<b>Destination Address</b> [31:0] This field contains the 32-bit destination address where the data is to move.
--

### 6.5.3 Read-Modify-Write Cycles

During these cycles the register is read, the selected operation is performed, and the result is written back to the source register.

The Add operation is used to increment or decrement register values (or memory values if used in conjunction with a Memory-to-Register Move operation) for use as loop counters.

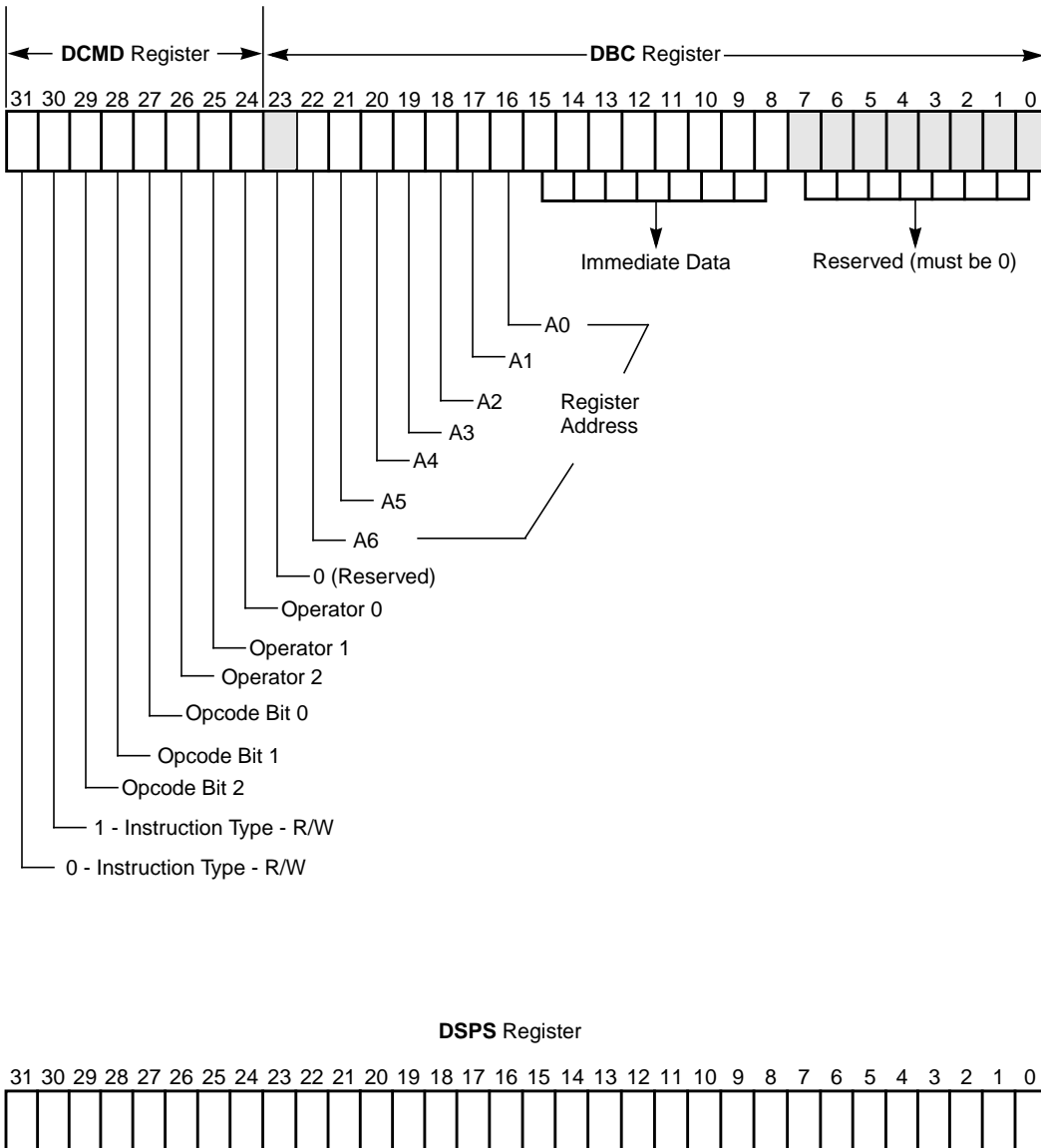
#### **6.5.4 Move To/From SFBR Cycles**

All operations are read-modify-writes. However, two registers are involved, one of which is always the SFBR. The possible functions of this instruction are:

- Write one byte (value contained within the SCRIPTS instruction) into any chip register.
- Move to/from the SFBR from/to any other register.
- Alter the value of a register with AND, OR, ADD, XOR, SHIFT LEFT, or SHIFT RIGHT operators.
- After moving values to the SFBR, the compare and jump, call, or similar instructions may be used to check the value.
- A Move-to-SFBR followed by a Move-from-SFBR is used to perform a register-to-register move.

Figure 6.4 illustrates the register bit values that represent a Read/Write instruction.

**Figure 6.4 Read/Write Register Instruction**



**Table 6.2 Read/Write Instructions**

<b>Operator</b>	<b>Opcode 111 Read-Modify-Write</b>	<b>Opcode 110 Move to SFBR</b>	<b>Opcode 101 Move from SFBR</b>
000	Move data into register. Syntax: "Move data8 to RegA"	Move data into <b>SCSI First Byte Received (SFBR)</b> register. Syntax: "Move data8 to SFBR"	Move data into register. Syntax: "Move data8 to RegA"
001 <sup>1</sup>	Shift register one bit to the left and place the result in the same register. Syntax: "Move RegA SHL RegA"	Shift register one bit to the left and place the result in the <b>SCSI First Byte Received (SFBR)</b> register. Syntax: "Move RegA SHL SFBR"	Shift the <b>SCSI First Byte Received (SFBR)</b> register one bit to the left and place the result in the register. Syntax: "Move SFBR SHL RegA"
010	OR data with register and place the result in the same register. Syntax: "Move RegA   data8 to RegA"	OR data with register and place the result in the <b>SCSI First Byte Received (SFBR)</b> register. Syntax: "Move RegA   data8 to SFBR"	OR data with SFBR and place the result in the register. Syntax: "Move SFBR   data8 to RegA"
011	XOR data with register and place the result in the same register. Syntax: "Move RegA XOR data8 to RegA"	XOR data with register and place the result in the <b>SCSI First Byte Received (SFBR)</b> register. Syntax: "Move RegA XOR data8 to SFBR"	XOR data with SFBR and place the result in the register. Syntax: "Move SFBR XOR data8 to RegA"
100	AND data with register and place the result in the same register. Syntax: "Move RegA & data8 to RegA"	AND data with register and place the result in the <b>SCSI First Byte Received (SFBR)</b> register. Syntax: "Move RegA & data8 to SFBR"	AND data with SFBR and place the result in the register. Syntax: "Move SFBR & data8 to RegA"
101 <sup>1</sup>	Shift register one bit to the right and place the result in the same register. Syntax: "Move RegA SHR RegA"	Shift register one bit to the right and place the result in the <b>SCSI First Byte Received (SFBR)</b> register. Syntax: "Move RegA SHR SFBR"	Shift the <b>SCSI First Byte Received (SFBR)</b> register one bit to the right and place the result in the register. Syntax: "Move SFBR SHR RegA"

**Table 6.2 Read/Write Instructions**

Operator	Opcode 111 Read-Modify-Write	Opcode 110 Move to SFBR	Opcode 101 Move from SFBR
110	Add data to register without carry and place the result in the same register. Syntax: "Move RegA + data8 to RegA"	Add data to register without carry and place the result in the <a href="#">SCSI First Byte Received (SFBR)</a> register. Syntax: "Move RegA + data8 to SFBR"	Add data to SFBR without carry and place the result in the register. Syntax: "Move SFBR + data8 to RegA"
111	Add data to register with carry and place the result in the same register. Syntax: "Move RegA + data8 to RegA with carry"	Add data to register with carry and place the result in the <a href="#">SCSI First Byte Received (SFBR)</a> register. Syntax: "Move RegA + data8 to SFBR with carry"	Add data to SFBR with carry and place the result in the register. Syntax: "Move SFBR + data8 to RegA with carry"

1. Data is shifted through the Carry bit and the Carry bit is shifted into the data byte.

Miscellaneous Notes:

- ~ Substitute the desired register name or address for "RegA" in the syntax examples.
- ~ data8 indicates eight bits of data.

## 6.6 Transfer Control Instructions

The Transfer Control, or Conditional Jump, instruction allows you to write SCRIPTS that make decisions based on real time conditions on the SCSI bus, such as phase or data. This instruction type includes Jump, Call, Return, and Interrupt instructions.

### 6.6.1 First Dword

<b>IT[2:0]</b>	<b>Instruction Type - Transfer Control Instruction</b>	<b>[31:30]</b>
<b>OPC[2:0]</b>	<b>OpCode</b> This 3-bit field specifies the type of transfer control instruction to execute. All transfer control instructions can be conditional. They can be dependent on a true/false comparison of the ALU Carry bit or a comparison of the SCSI information transfer phase with the Phase field, and/or a comparison of the First Byte Received with the Data Compare field. Each instruction can operate in Initiator or Target mode.	<b>[29:27]</b>

OPC2	OPC1	OPC0	Instruction Defined
0	0	0	Jump
0	0	1	Call
0	1	0	Return
0	1	1	Interrupt
1	x	x	Reserved

### Jump Instruction

The LSI53C810A can do a true/false comparison of the ALU carry bit, or compare the phase and/or data as defined by the Phase Compare, Data Compare and True/False bit fields.

If the comparisons are true, then it loads the [DMA SCRIPTS Pointer \(DSP\)](#) register with the contents of the [DMA SCRIPTS Pointer Save \(DSPS\)](#) register. The [DMA SCRIPTS Pointer \(DSP\)](#) register now contains the address of the next instruction.

If the comparisons are false, the LSI53C810A fetches the next instruction from the address pointed to by the [DMA SCRIPTS Pointer \(DSP\)](#) register, leaving the instruction pointer unchanged.

### Call Instruction

The LSI53C810A can do a true/false comparison of the ALU carry bit, or compare the phase and/or data as defined by the Phase Compare, Data Compare, and True/False bit fields.

If the comparisons are true, then it loads the [DMA SCRIPTS Pointer \(DSP\)](#) register with the contents of the [DMA SCRIPTS Pointer Save \(DSPS\)](#) register and that address value becomes the address of the next instruction.

When the LSI53C810A executes a Call instruction, the instruction pointer contained in the [DMA SCRIPTS Pointer \(DSP\)](#) register is stored in the [Temporary \(TEMP\)](#) register. Since the TEMP register is not a stack and can only hold one Dword, nested call instructions are not allowed.



If the comparisons are false, the LSI53C810A fetches the next instruction from the address pointed to by the [DMA SCRIPTS Pointer \(DSP\)](#) register and the instruction pointer is not modified.

### **Return Instruction**

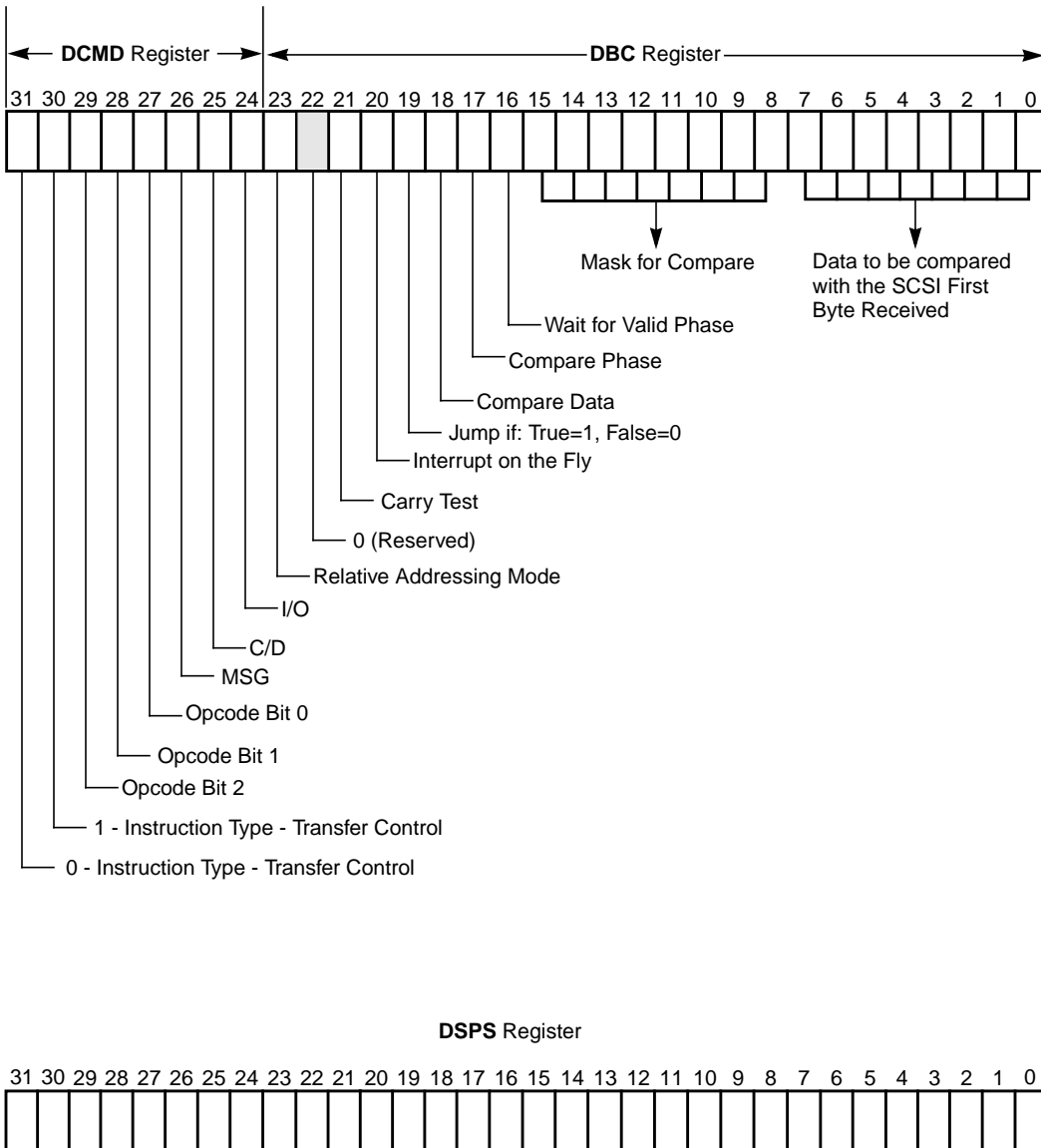
The LSI53C810A can do a true/false comparison of the ALU carry bit, or compare the phase and/or data as defined by the Phase Compare, Data Compare, and True/False bit fields.

If the comparisons are true, then it loads the [DMA SCRIPTS Pointer \(DSP\)](#) register with the contents of the [DMA SCRIPTS Pointer Save \(DSPS\)](#) register. That address value becomes the address of the next instruction.

When a Return instruction is executed, the value stored in the [Temporary \(TEMP\)](#) register is returned to the [DMA SCRIPTS Pointer \(DSP\)](#) register. The LSI53C810A does not check to see whether the Call instruction has already been executed. It does not generate an interrupt if a Return instruction is executed without previously executing a Call instruction.

Figure 6.5 illustrates the register bit values that represent a Transfer Control instruction.

**Figure 6.5 Transfer Control Instruction**



If the comparisons are false, the LSI53C810A fetches the next instruction from the address pointed to by the **DMA SCRIPTS Pointer (DSP)** register and the instruction pointer is not modified.

### **Interrupt Instruction**

The LSI53C810A can do a true/false comparison of the ALU carry bit, or compare the phase and/or data as defined by the Phase Compare, Data Compare, and True/False bit fields.

If the comparisons are true, then the LSI53C810A generates an interrupt by asserting the IRQ/ signal.

The 32-bit address field stored in the **DMA SCRIPTS Pointer Save (DSPS)** register can contain a unique interrupt service vector. When servicing the interrupt, this unique status code allows the ISR to quickly identify the point at which the interrupt occurred.

The LSI53C810A halts and the **DMA SCRIPTS Pointer (DSP)** register must be written before starting any further operation.

### **Interrupt on-the-Fly Instruction**

The LSI53C810A can do a true/false comparison of the ALU carry bit or compare the phase and/or data as defined by the Phase Compare, Data Compare, and True/False bit fields. If the comparisons are true, and the Interrupt-on-the-Fly bit is set (bit 2), the LSI53C810A asserts the Interrupt-on-the-Fly bit.

## **SCSIP[2:0]**

### **SCSI Phase**

**[26:24]**

This 3-bit field corresponds to the three SCSI bus phase signals which are compared with the phase lines latched when SREQ/ is asserted. Comparisons can be performed to determine the SCSI phase actually being driven on the SCSI bus. The following table describes the possible combinations and their corresponding SCSI phase. These bits are only valid when the LSI53C810A is operating in Initiator mode. Clear these bits when the LSI53C810A is operating in Target mode.

MSG	C/D	I/O	SCSI Phase
0	0	0	Data-Out
0	0	1	Data-In
0	1	0	Command
0	1	1	Status
1	0	0	Reserved
1	0	1	Reserved
1	1	0	Message-Out
1	1	1	Message-In

**RA**

### Relative Addressing Mode

**23**

When this bit is set, the 24-bit signed value in the [DMA SCRIPTS Pointer Save \(DPS\)](#) register is used as a relative offset from the current [DMA SCRIPTS Pointer \(DSP\)](#) address (which is pointing to the next instruction, not the one currently executing). The relative mode does not apply to Return and Interrupt SCRIPTS.

### Jump/Call an Absolute Address

Start execution at the new absolute address.

Command	Condition Codes
Absolute Alternate Address	

### Jump/Call a Relative Address

Start execution at the current address plus (or minus) the relative offset.

Command	Condition Codes
Don't Care	Alternate Jump Offset

The SCRIPTS program counter is a 32-bit value pointing to the SCRIPTS instruction currently under execution by the LSI53C810A. The next address is formed by adding the 32-bit program counter to the 24-bit signed value of the last 24 bits of the Jump or Call instruction. Because it is signed (2's complement), the jump can be forward or backward.

A relative transfer can be to any address within a 16 Mbyte segment. The program counter is combined with the 24-bit signed offset (using addition or subtraction) to form the new execution address.

SCRIPTS programs may contain a mixture of direct jumps and relative jumps to provide maximum versatility when writing SCRIPTS. For example, major sections of code can be accessed with far calls using the 32-bit physical address, then local labels can be called using relative transfers. If a SCRIPT is written using only relative transfers it does not require any run time alteration of physical addresses, and could be stored in and executed from a PROM.

- |            |  |           |
|------------|--|-----------|
| <b>CT</b>  | <b>Carry Test</b>  | <b>21</b> |
|            | When this bit is set, decisions based on the ALU carry bit can be made. True/False comparisons are legal, but Data Compare and Phase Compare are illegal.  |           |
| <b>IF</b>  | <b>Interrupt-on-the-Fly</b>  | <b>20</b> |
|            | When this bit is set, the Interrupt instruction does not halt the SCRIPTS processor. Once the interrupt occurs, the Interrupt-on-the-Fly bit ( <a href="#">Interrupt Status (ISTAT) bit 2</a> ) is asserted.   |           |
| <b>JMP</b> | <b>Jump If True/False</b>  | <b>19</b> |
|            | This bit determines whether the LSI53C810A branches when a comparison is true or when a comparison is false. This bit applies to phase compares, data compares, and carry tests. If both the Phase Compare and Data Compare bits are set, then both compares must be true to branch on a true condition. Both compares must be false to branch on a false condition. |           |

<b>Bit 19</b>	<b>Result of Compare</b>	<b>Action</b>
0	False	Jump Taken
0	True	No Jump
1	False	No Jump
1	True	Jump Taken

<b>CD</b>	<b>Compare Data</b>	<b>18</b>
	<p>When this bit is set, the first byte received from the SCSI data bus (contained in <a href="#">SCSI First Byte Received (SFBR)</a> register) is compared with the Data to be Compared Field in the Transfer Control instruction. The Wait for Valid Phase bit controls when this compare occurs. The Jump if True/False bit determines the condition (true or false) to branch on.</p>	
<b>CP</b>	<b>Compare Phase</b>	<b>17</b>
	<p>When the LSI53C810A is in Initiator mode, this bit controls phase compare operations. When this bit is set, the SCSI phase signals (latched by SREQ/) are compared to the Phase Field in the Transfer Control instruction. If they match, the comparison is true. The Wait for Valid Phase bit controls when the compare occurs. When the LSI53C810A is operating in Target mode and this bit is set it tests for an active SCSI SATN/ signal.</p>	
<b>WVP</b>	<b>Wait For Valid Phase</b>	<b>16</b>
	<p>If the Wait for Valid Phase bit is set, the LSI53C810A waits for a previously unserviced phase before comparing the SCSI phase and data.</p> <p>If the Wait for Valid Phase bit is cleared, the LSI53C810A compares the SCSI phase and data immediately.</p>	
<b>DCM</b>	<b>Data Compare Mask</b>	<b>[15:8]</b>
	<p>The Data Compare Mask allows a SCRIPTS instruction to test certain bits within a data byte. During the data compare, if any mask bits that are set, the corresponding bit in the <a href="#">SCSI First Byte Received (SFBR)</a> data byte is ignored. For instance, a mask of 0b01111111 and data compare value of 0b1XXXXXXX allows the SCRIPTS processor to determine whether or not the high order bit is set while ignoring the remaining bits.</p>	
<b>DCV</b>	<b>Data Compare Value</b>	<b>[7:0]</b>
	<p>This 8-bit field is the data to be compared against the <a href="#">SCSI First Byte Received (SFBR)</a> register. These bits are used in conjunction with the Data Compare Mask Field to test for a particular data value.</p>	

## 6.6.2 Second Dword

### Jump Address

[31:0]

This 32-bit field contains the address of the next instruction to fetch when a jump is taken. Once the LSI53C810A has fetched the instruction from the address pointed to by these 32 bits, this address is incremented by 4, loaded into the [DMA SCRIPTS Pointer \(DSP\)](#) register and becomes the current instruction pointer.

---

## 6.7 Memory Move Instructions

This SCRIPTS instruction allows the LSI53C810A to execute high-performance block moves of 32-bit data from one part of main memory to another. In this mode, the LSI53C810A is an independent, high-performance DMA controller irrespective of SCSI operations. Since the registers of the LSI53C810A can be mapped into system memory, this SCRIPTS instruction also moves an LSI53C810A register to or from memory or another LSI53C810A register.

For Memory Move instructions, bits 5 and 4 (SIOM and DIOM) in the [DMA Mode \(DMODE\)](#) register determine whether the source or destination addresses reside in memory or I/O space. By setting these bits appropriately, data may be moved within memory space, within I/O space, or between the two address spaces.

The Memory Move instruction is used to copy the specified number of bytes from the source address to the destination address.

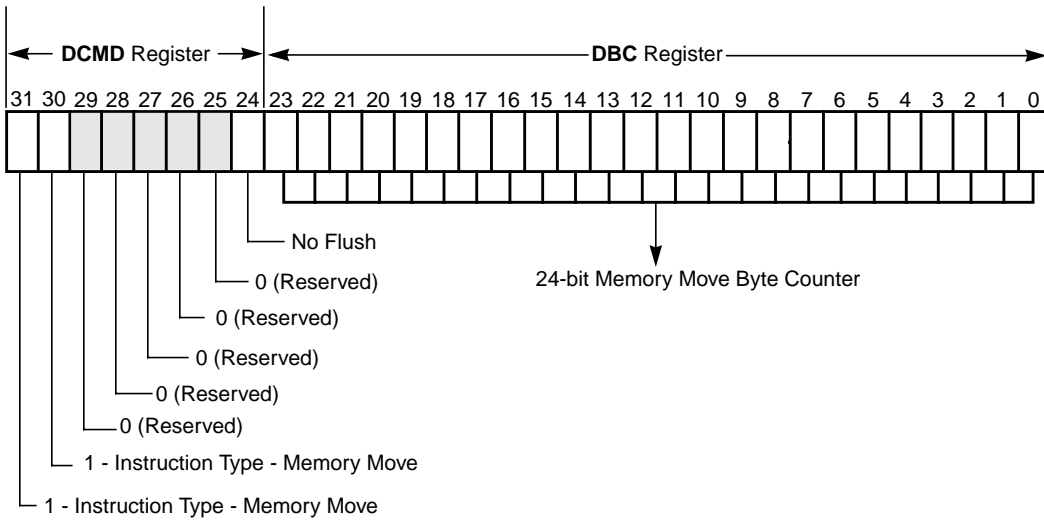
Allowing the LSI53C810A to perform memory moves frees the system processor for other tasks and moves data at higher speeds than available from current DMA controllers. Up to 16 Mbytes may be transferred with one instruction. There are two restrictions:

- Both the source and destination addresses must start with the same address alignment A[1:0]. If source and destination are not aligned, then an illegal instruction interrupt occurs.
- Indirect addresses are not allowed. A burst of data is fetched from the source address, put into the DMA FIFO and then written out to the destination address. The move continues until the byte count decrements to zero, then another SCRIPTS instruction is fetched from system memory.

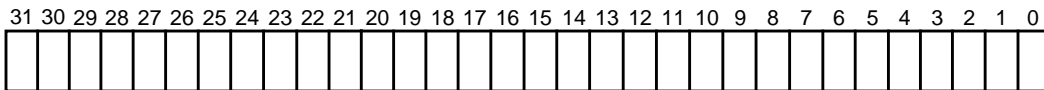


Figure 6.6 illustrates the register bit values that represent a Memory Move instruction.

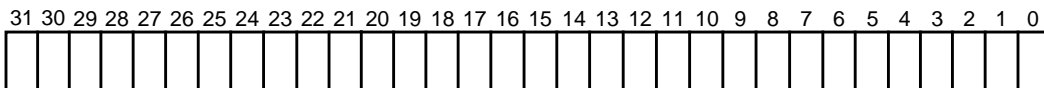
**Figure 6.6 Memory to Memory Move Instruction**



**DSPS Register**



**TEMP Register**



The [DMA SCRIPTS Pointer Save \(DSPS\)](#) and [Data Structure Address \(DSA\)](#) registers are additional holding registers used during the Memory Move. However, the contents of the [Data Structure Address \(DSA\)](#) register are preserved.

### 6.7.1 First Dword

**IT[1:0]**                      **Instruction Type - Memory Move Instruction**                      **[31:30]**

**R**                                      **Reserved**                                      **[29:25]**  
These bits are reserved and must be zero. If any of these bits is set, an illegal instruction interrupt occurs.

**NF**                                      **No Flush**                                      **24**  
When this bit is set, the LSI53C810A performs a Memory Move (MMOV) without flushing the prefetch unit (NFMMOV). When this bit is cleared, the Memory Move instruction automatically flushes the prefetch unit. Use the NFMMOV if the source and destination are not within four instructions of the current MMOV instruction.

Note: This bit has no effect unless the Prefetch Enable bit in the [DMA Control \(DCNTL\)](#) register is set. For information on SCRIPTS instruction prefetching, see [Chapter 2, "Functional Description."](#)

**TC[23:0]**                      **Transfer Count**                                      **[23:0]**  
The number of bytes to transfer is stored in the lower 24 bits of the first instruction word.

### 6.7.2 Second Dword

**DSPS Register**                                      **[31:0]**  
These bits contain the source address of the Memory Move.

### 6.7.3 Third Dword

**TEMP Register**                                      **[31:0]**  
These bits contain the destination address for the Memory Move.

## 6.7.4 Read/Write System Memory from a SCRIPTS Instruction

By using the Memory Move instruction, single or multiple register values may be transferred to or from system memory.

Because the LSI53C810A responds to addresses as defined in the [Base Address Zero \(I/O\)](#) or [Base Address One \(Memory\)](#) registers, it can be accessed during a Memory Move operation if the source or destination address decodes to within the chip's register space. If this occurs, the register indicated by the lower seven bits of the address is taken to be the data source or destination. In this way, register values are saved to system memory and later restored, and SCRIPTS can make decisions based on data values in system memory.

The [SCSI First Byte Received \(SFBR\)](#) is not writable using the CPU, and therefore not by a Memory Move. However, it can be loaded using SCRIPTS Read/Write operations. To load the SFBR with a byte stored in system memory, first move the byte to an intermediate LSI53C810A register (for example, a SCRATCH register), and then to the SFBR.

The same address alignment restrictions apply to register access operations as to normal memory-to-memory transfers.

---

## 6.8 Load and Store Instructions

The Load and Store instruction provide a more efficient way to move data from/to memory to/from an internal register in the chip without using the normal memory move instruction.

The load and store instructions are represented by two Dword opcodes. The first Dword contains the [DMA Command \(DCMD\)](#) and [DMA Byte Counter \(DBC\)](#) register values. The second Dword contains the [DMA SCRIPTS Pointer Save \(DSPS\)](#) value. This is either the actual memory location of where to Load and Store, or the offset from the [Data Structure Address \(DSA\)](#), depending on the value of bit 28 (DSA Relative).

A maximum of 4 bytes may be moved with these instructions. The register address and memory address must have the same byte alignment, and the count set such that it does not cross Dword boundaries. The destination memory address in the Store instruction and the source address in the Load instruction may not map back to the

operating register set of the chip. If it does, a PCI illegal read/write cycle occur, the chip issues an interrupt (Illegal Instruction Detected) immediately following.

Bits A1, A0	Number of Bytes Allowed to Load/Store
00	One, two, three or four
01	One, two, or three
10	One or two
11	One

The SIOM and DIOM bits in the [DMA Mode \(DMODE\)](#) register determine whether the destination or source address of the instruction is in Memory space or I/O space. The Load and Store utilizes the PCI commands for I/O read and I/O write to access the I/O space.

### 6.8.1 First Dword

<b>IT[2:0]</b>	<b>Instruction Type</b> These bits should be 111, indicating the Load and Store instruction.	<b>[31:29]</b>
<b>DSA</b>	<b>DSA Relative</b> When this bit is cleared, the value in the <a href="#">DMA SCRIPTS Pointer Save (DSPS)</a> is the actual 32-bit memory address used to perform the Load and Store to/from. When this bit is set, the chip determines the memory address to perform the Load and Store to/from by adding the 24-bit signed offset value in the <a href="#">DMA SCRIPTS Pointer Save (DPS)</a> to the <a href="#">Data Structure Address (DSA)</a> .	<b>28</b>
<b>R</b>	<b>Reserved</b>	<b>[27:26]</b>
<b>NF</b>	<b>No Flush (Store instruction only)</b> When this bit is set, the LSI53C810A performs a Store without flushing the prefetch unit. When this bit is cleared, the Store instruction automatically flushes the prefetch unit. Use No Flush if the source and destination are not within four instructions of the current Store instruction.	<b>25</b>

Note: This bit has no effect unless the Prefetch Enable bit in the [DMA Control \(DCNTL\)](#) register is set. For information on SCRIPTS instruction prefetching, see [Chapter 2, "Functional Description."](#)

<b>LS</b>	<b>Load and Store</b>	<b>24</b>
	When this bit is set, the instruction is a Load. When cleared, it is a Store.	

<b>R</b>	<b>Reserved</b>	<b>23</b>
----------	-----------------	-----------

<b>RA[6:0]</b>	<b>Register Address</b>	<b>[22:16]</b>
	A[6:0] select the register to Load and Store to/from within the LSI53C810A.	

Note: It is not possible to load the [SCSI First Byte Received \(SFBR\)](#) register, although the SFBR contents may be stored in another location.

<b>R</b>	<b>Reserved</b>	<b>[15:3]</b>
----------	-----------------	---------------

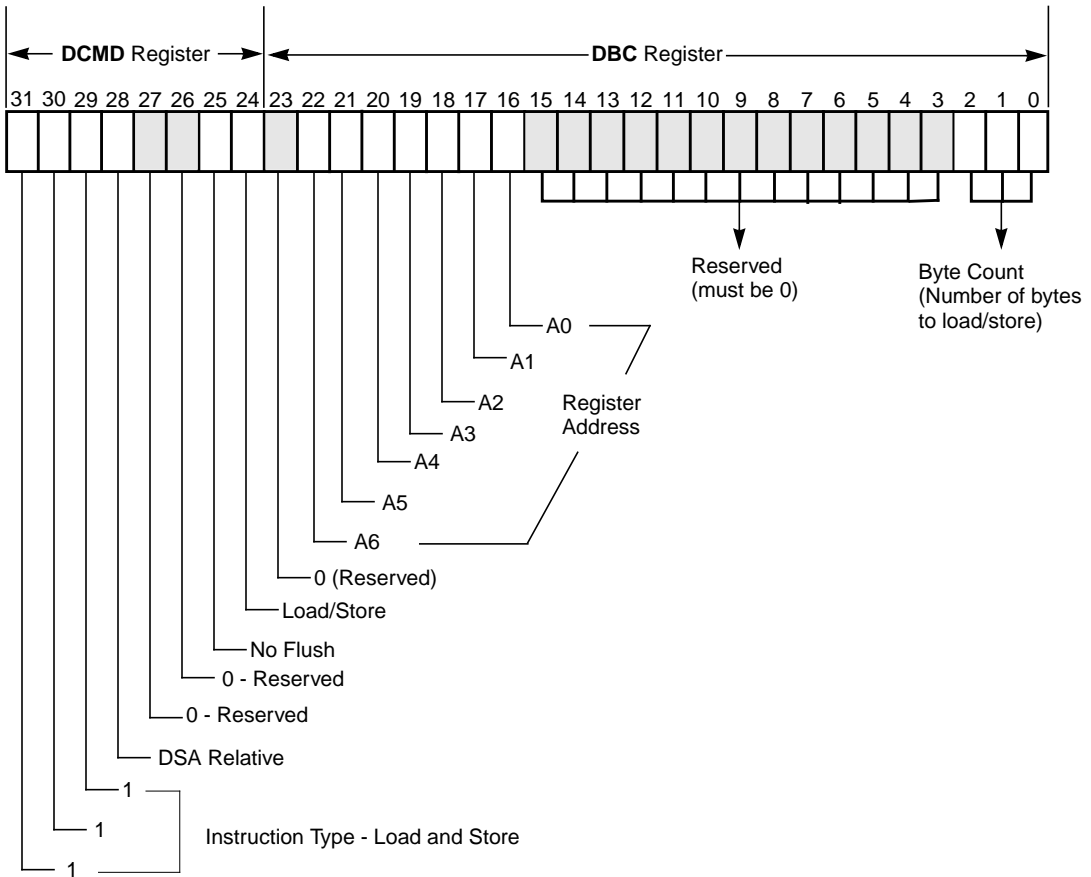
<b>BC</b>	<b>Byte Count</b>	<b>[2:0]</b>
	This value is the number of bytes to Load and Store.	

## 6.8.2 Second Dword

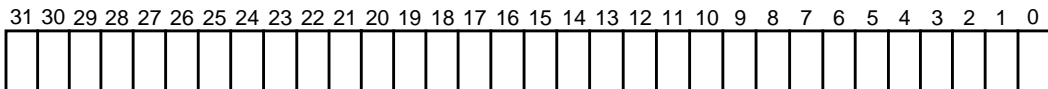
<b>Memory/IO Address / DSA Offset</b>	<b>[31:0]</b>
This is the actual memory location of where to Load and Store, or the offset from the <a href="#">Data Structure Address (DSA)</a> register value.	

Figure 6.7 illustrates the register bit values that represent a Load and Store instruction.

**Figure 6.7 Load and Store Instruction Format**



**DSPS Register - Memory/ I/O Address/DSA Offset**



# Chapter 7

## Electrical Characteristics

---

This chapter specifies the LSI53C810A electrical and mechanical characteristics. It is divided into the following sections:

- [Section 7.1, “DC Characteristics”](#)
  - [Section 7.2, “TolerANT Technology”](#)
  - [Section 7.3, “AC Characteristics”](#)
  - [Section 7.4, “PCI Interface Timing Diagrams”](#)
  - [Section 7.5, “PCI Interface Timing”](#)
  - [Section 7.6, “SCSI Timings”](#)
  - [Section 7.7, “Package Drawings”](#)
- 

### 7.1 DC Characteristics

This section of the manual describes the LSI53C810A DC characteristics. [Table 7.1](#) through [Table 7.11](#) give the current and voltage specifications.

**Table 7.1 Absolute Maximum Stress Ratings**

Symbol	Parameter	Min	Max	Unit	Test Conditions
T <sub>STG</sub>	Storage temperature	-55	150	°C	–
V <sub>DD</sub>	Supply voltage	-0.5	7.0	V	–
V <sub>IN</sub>	Input voltage	V <sub>SS</sub> -0.5	V <sub>DD</sub> +0.5	V	–
I <sub>LP</sub> <sup>1</sup>	Latch-up current	±150	–	mA	–
ESD <sup>2</sup>	Electrostatic discharge	–	2 K	V	MIL-STD 883C, Method 3015.7

1.  $-2\text{ V} < V_{\text{PIN}} < 8\text{ V}$ .

2. SCSI pins only.

Note: Stresses beyond those listed above may cause permanent damage to the device. These are stress ratings only; functional operation of the device at these or any other conditions beyond those indicated in the [Operating Conditions](#) section of the manual is not implied.

**Table 7.2 Operating Conditions**

Symbol	Parameter	Min	Max	Unit	Test Conditions
V <sub>DD</sub>	Supply voltage	4.75	5.25	V	–
I <sub>DD</sub> <sup>1</sup>	Supply current (dynamic)	–	130	mA	–
	Supply current (static)	–	1	mA	–
T <sub>A</sub>	Operating free air	0	70	°C	–
θ <sub>JA</sub>	Thermal resistance (junction to ambient air)	–	67	°C/W	–

1. Average operating supply current is 50 mA.

Note: Conditions that exceed the operating limits may cause the device to function incorrectly.



**Table 7.3 SCSI Signals—SD[7:0]/, SDP/, SREQ/, SACK/**

Symbol	Parameter	Min	Max	Unit	Test Conditions
$V_{IH}$	Input high voltage	2.0	$V_{DD} + 0.5$	V	–
$V_{IL}$	Input low voltage	$V_{SS} - 0.5$	0.8	V	–
$V_{OH}^1$	Output high voltage	2.5	3.5	V	2.5 mA
$V_{OL}$	Output low voltage	$V_{SS}$	0.5	V	48 mA
$I_{IN}$	Input leakage	–10	10	$\mu A$	–
$I_{OZ}$	3-state leakage	–10	10	$\mu A$	–

1. TolerANT active negation enabled.

**Table 7.4 SCSI Signals—SMSG, SI\_O/, SC\_D/, SATN/, SBSY/, SSEL/, SRST/**

Symbol	Parameter	Min	Max	Unit	Test Conditions
$V_{IH}$	Input high voltage	2.0	$V_{DD} + 0.5$	V	–
$V_{IL}$	Input low voltage	$V_{SS} - 0.5$	0.8	V	–
$V_{OL}$	Output low voltage	$V_{SS}$	0.5	V	48 mA
$I_{IN}$	Input leakage (SRST/ only)	–10 –500	10 –50	$\mu A$ $\mu A$	–
$I_{OZ}$	3-state leakage	–10	10	$\mu A$	–

**Table 7.5 Input Signals—CLK, SCLK, GNT/, IDSEL, RST/, TESTIN**

Symbol	Parameter	Min	Max	Unit	Test Conditions
$V_{IH}$	Input high voltage	2.0	$V_{DD} + 0.5$	V	–
$V_{IL}$	Input low voltage	$V_{SS} - 0.5$	0.8	V	–
$I_{IN}$	Input leakage	–1.0	1.0	$\mu A$	–

Note: CLK, SCLK, GNT/ and IDSEL have 100  $\mu A$  pull-ups that are enabled when TESTIN is low. TESTIN has a 100  $\mu A$  pull-up that is always enabled.

**Table 7.6 Capacitance**

Symbol	Parameter	Min	Max	Unit	Test Conditions
$C_I$	Input capacitance of input pads	–	7	pF	–
$C_{IO}$	Input capacitance of I/O pads	–	10	pF	–

**Table 7.7 Output Signals—MAC/\_TESTOUT, REQ/**

Symbol	Parameter	Min	Max	Unit	Test Conditions
$V_{OH}$	Output high voltage	2.4	$V_{DD}$	V	–16 mA
$V_{OL}$	Output low voltage	$V_{SS}$	0.4	V	16 mA
$I_{OH}$	Output high current	–8	–	mA	$V_{DD} - 0.5$ V
$I_{OL}$	Output low current	16	–	mA	0.4 V
$I_{OZ}$	3-state leakage	–10	10	$\mu$ A	–

Note: REQ/ has a 100  $\mu$ A pull-up that is enabled when TESTIN is low.

**Table 7.8 Output Signal—IRQ/**

Symbol	Parameter	Min	Max	Unit	Test Conditions
$V_{OH}$	Output high voltage	2.4	$V_{DD}$	V	–8 mA
$V_{OL}$	Output low voltage	$V_{SS}$	0.4	V	8 mA
$I_{OH}$	Output high current	–4	–	mA	$V_{DD} - 0.5$ V
$I_{OL}$	Output low current	8	–	mA	0.4 V
$I_{OZ}$	3-state leakage	–10	10	$\mu$ A	–

Note: IRQ/ has a 100  $\mu$ A pull-up that is enabled when TESTIN is low. IRQ/ can be enabled with a register as an open drain with an internal 100  $\mu$ A pull-up.

**Table 7.9 Output Signal—SERR/**

Symbol	Parameter	Min	Max	Unit	Test Conditions
$V_{OL}$	Output low voltage	$V_{SS}$	0.4	V	16 mA
$I_{OL}$	Output low current	16	–	mA	0.4 V
$I_{OZ}$	3-state leakage	–10	10	$\mu$ A	–

**Table 7.10 Bidirectional Signals—AD[31:0], C\_BE/[3:0], FRAME/, IRDY/, TRDY/, DEVSEL/, STOP/, PERR/, PAR/**

Symbol	Parameter	Min	Max	Unit	Test Conditions
$V_{IH}$	Input high voltage	2.0	$V_{DD} + 0.5$	V	–
$V_{IL}$	Input low voltage	$V_{SS} - 0.5$	0.8	V	–
$V_{OH}$	Output high voltage	2.4	$V_{DD}$	V	16 mA
$V_{OL}$	Output low voltage	$V_{SS}$	0.4	V	16 mA
$I_{OH}$	Output high current	–8	–	mA	$V_{DD} - 0.5$

Note: All the signals in this table have 100  $\mu$ A pull-ups that are enabled when TESTIN is low.

**Table 7.11 Bidirectional Signals—GPIO0\_FETCH/, GPIO1\_MASTER/**

Symbol	Parameter	Min	Max	Unit	Test Conditions
$V_{IH}$	Input high voltage	2.0	$V_{DD} + 0.5$	V	–
$V_{IL}$	Input low voltage	$V_{SS} - 0.5$	0.8	V	–
$V_{OH}$	Output high voltage	2.4	$V_{DD}$	V	–16 mA
$V_{OL}$	Output low voltage	$V_{SS}$	0.4	V	16 mA
$I_{OH}$	Output high current	–8	–	mA	2.4 V
$I_{OL}$	Output low current	16	–	mA	0.4 V
$I_{IN}$	Input leakage	–10	10	$\mu$ A	–
$I_{OZ}$	3-state leakage	–10	10	$\mu$ A	–

Note: All the signals in this table have 100  $\mu$ A pull-ups that are enabled when TESTIN is low.

## 7.2 TolerANT Technology

The LSI53C810A features TolerANT technology, which includes active negation on the SCSI drivers and input signal filtering on the SCSI receivers. Active negation actively drives the SCSI Request, Acknowledge, Data, and Parity signals HIGH rather than allowing them to be passively pulled up by terminators. [Table 7.12](#) provides electrical characteristics for SE SCSI signals. [Figure 7.1](#) through [Figure 7.5](#) show the effect of TolerANT technology on the DC characteristics of the chip.

**Table 7.12 TolerANT Technology Electrical Characteristics**

Symbol	Parameter	Min	Max	Unit	Test Conditions
$V_{OH}^1$	Output high voltage	2.5	3.5	V	$I_{OH} = 2.5 \text{ mA}$
$V_{OL}$	Output low voltage	0.1	0.5	V	$I_{OL} = 48 \text{ mA}$
$V_{IH}$	Input high voltage	2.0	7.0	V	–
$V_{IL}$	Input low voltage	–0.5	0.8	V	Referenced to $V_{SS}$
$V_{IK}$	Input clamp voltage	–0.66	–0.77	V	$V_{DD} = 4.75$ ; $I_I = -20 \text{ mA}$
$V_{TH}$	Threshold, HIGH to LOW	1.1	1.3	V	–
$V_{TL}$	Threshold, LOW to HIGH	1.5	1.7	V	–
$V_{TH}-V_{TL}$	Hysteresis	200	400	mV	–
$I_{OH}^1$	Output high current	2.5	24	mA	$V_{OH} = 2.5 \text{ V}$
$I_{OL}$	Output low current	100	200	mA	$V_{OL} = 0.5 \text{ V}$
$I_{OSH}^1$	Short-circuit output high current	–	625	mA	Output driving low, pin shorted to $V_{DD}$ supply <sup>2</sup>
$I_{OSL}$	Short-circuit output low current	–	95	mA	Output driving high, pin shorted to $V_{SS}$ supply
$I_{LH}$	Input high leakage	–	10	$\mu\text{A}$	$-0.5 < V_{DD} < 5.25$ $V_{PIN} = 2.7 \text{ V}$
$I_{LL}$	Input low leakage	–	–10	$\mu\text{A}$	$-0.5 < V_{DD} < 5.25$ $V_{PIN} = 0.5 \text{ V}$
$R_I$	Input resistance	20	–	$\text{M}\Omega$	SCSI pins <sup>3</sup>
$C_P$	Capacitance per pin	–	10	pF	PQFP
$t_R^1$	Rise time, 10% to 90%	9.7	18.5	ns	<a href="#">Figure 7.1</a>
$t_F$	Fall time, 90% to 10%	5.2	14.7	ns	<a href="#">Figure 7.1</a>
$dV_H/dt$	Slew rate, LOW to HIGH	0.15	0.49	V/ns	<a href="#">Figure 7.1</a>
$dV_L/dt$	Slew rate, HIGH to LOW	0.19	0.67	V/ns	<a href="#">Figure 7.1</a>
ESD	Electrostatic discharge	2	–	kV	MIL-STD-883C; 3015-7
	Latch-up	100	–	mA	–
	Filter delay	20	30	ns	<a href="#">Figure 7.2</a>
	Extended filter delay	40	60	ns	<a href="#">Figure 7.2</a>

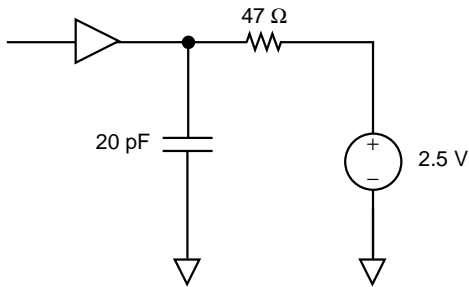
1. Active negation outputs only: Data, Parity, SREQ/, SACK/.

2. Single pin only; irreversible damage may occur if sustained for one second.

3. SCSI RESET pin has 10 k $\Omega$  pull-up resistor.

Note: These values are guaranteed by periodic characterization; they are not 100% tested on every device.

**Figure 7.1 Rise and Fall Time Test Conditions**

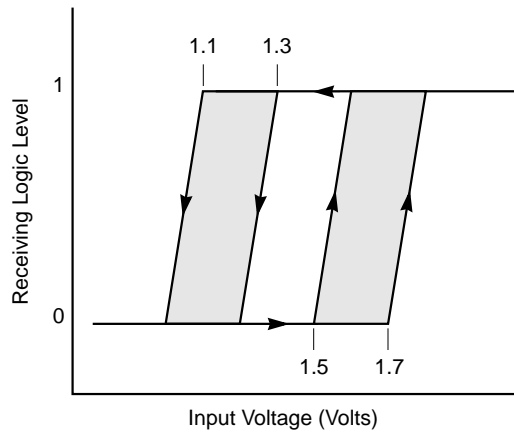


**Figure 7.2 SCSI Input Filtering**

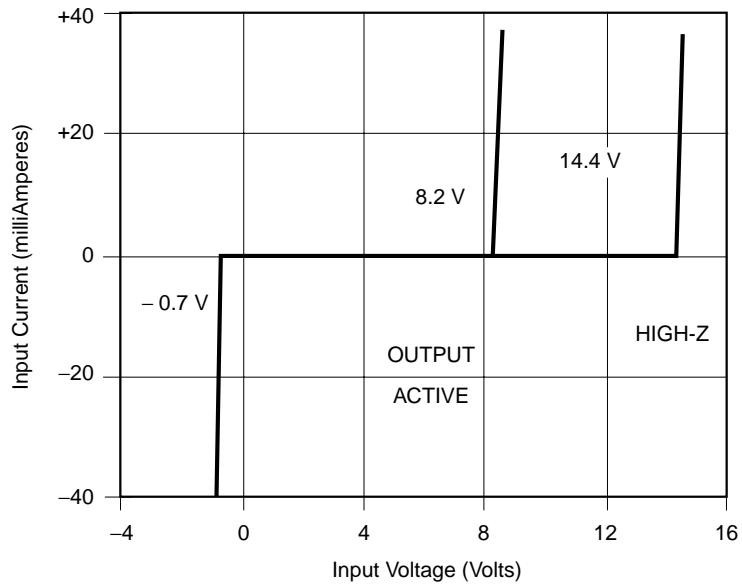


Note:  $t_1$  is the input filtering period.

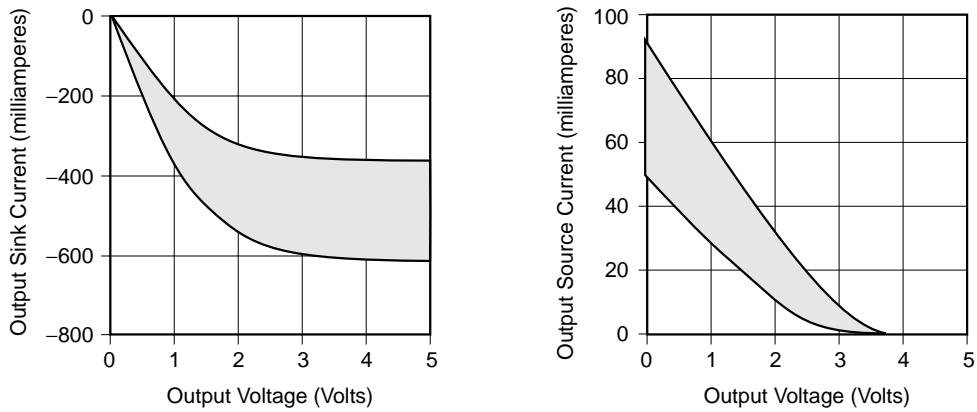
**Figure 7.3 Hysteresis of SCSI Receiver**



**Figure 7.4 Input Current as a Function of Input Voltage**



**Figure 7.5 Output Current as a Function of Output Voltage**



## 7.3 AC Characteristics

The AC characteristics described in this section apply over the entire range of operating conditions (refer to [Section 7.1, “DC Characteristics”](#)). Chip timings are based on simulation at worst case voltage, temperature, and processing. Timings were developed with a load capacitance of 50 pF. [Table 7.13](#) and [Figure 7.6](#) provide clock timing data.

**Table 7.13 Clock Timing**

Symbol	Parameter	Min	Max	Unit
$t_1$	Bus clock cycle time	30	DC	ns
	SCSI clock cycle time (SCLK) <sup>1</sup>	25	60	ns
$t_2$	CLK LOW time <sup>2</sup>	12	–	ns
	SCLK LOW time <sup>2</sup>	10	33	ns
$t_3$	CLK HIGH time <sup>2</sup>	12	–	ns
	SCLK HIGH time <sup>2</sup>	10	33	ns
$t_4$	CLK slew rate	1	–	V/ns
	SCLK slew rate	1	–	V/ns

1. This parameter must be met to ensure SCSI timings are within specification.
2. Duty cycle not to exceed 60/40.

**Figure 7.6 Clock Timing**

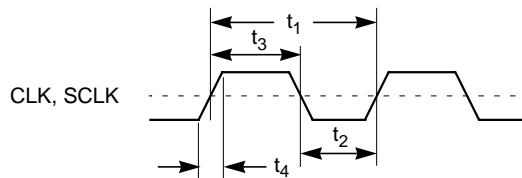


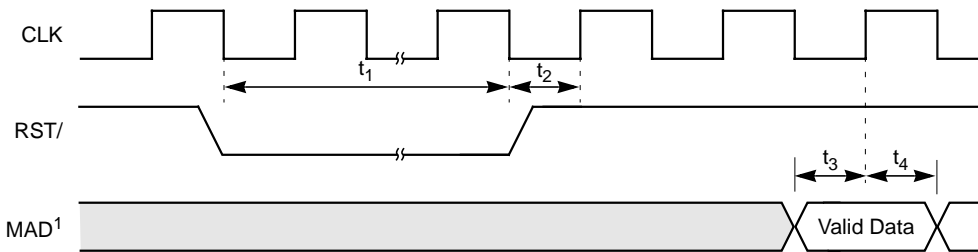


Table 7.14 and Figure 7.7 provide reset input timing data.

**Table 7.14 Reset Input Timing**

Symbol	Parameter	Min	Max	Unit
$t_1$	Reset pulse width	10	–	$t_{CLK}$
$t_2$	Reset deasserted setup to CLK HIGH	0	–	ns

**Figure 7.7 Reset Input**



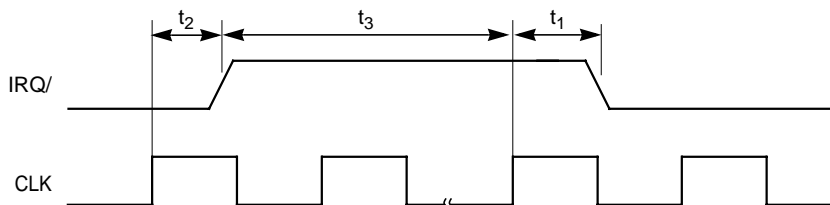
1. When enabled.

Table 7.15 and Figure 7.8 provide interrupt output timing data.

**Table 7.15 Interrupt Output**

Symbol	Parameter	Min	Max	Unit
$t_1$	CLK HIGH to IRQ/ LOW	–	20	ns
$t_2$	CLK HIGH to IRQ/ HIGH	–	40	ns
$t_3$	IRQ/ deassertion time	3	–	CLK

**Figure 7.8 Interrupt Output Waveforms**



---

## 7.4 PCI Interface Timing Diagrams

Figure 7.9 through Figure 7.18 represent signal activity when the LSI53C810A accesses the PCI bus. The timings for the PCI bus interface are listed on page 7-26. The following timing diagrams are included in this section:

### Target Timing

- PCI Configuration Register Read
- PCI Configuration Register Write
- Target Read
- Target Write

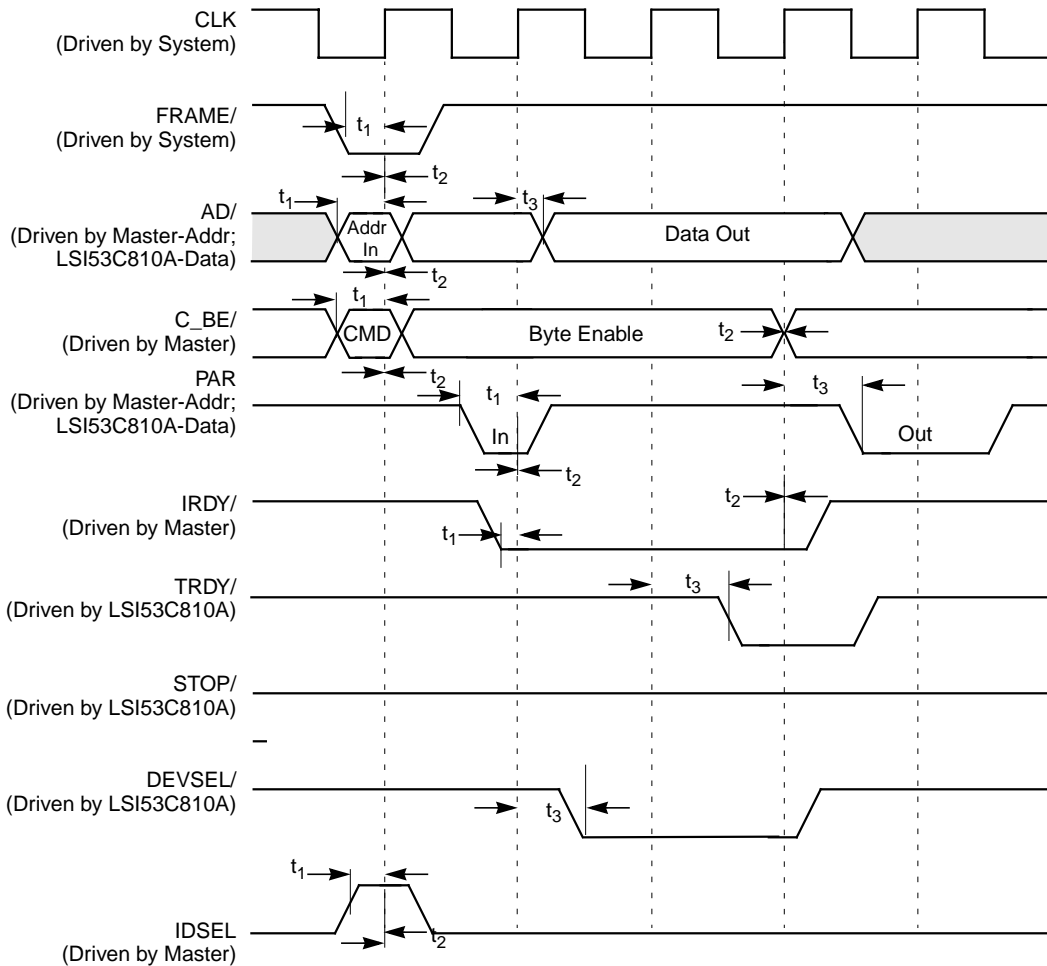
### Initiator Timing

- OpCode Fetch, Nonburst
- Burst Opcode Fetch
- Back-to-Back Read
- Back-to-Back Write
- Burst Read
- Burst Write

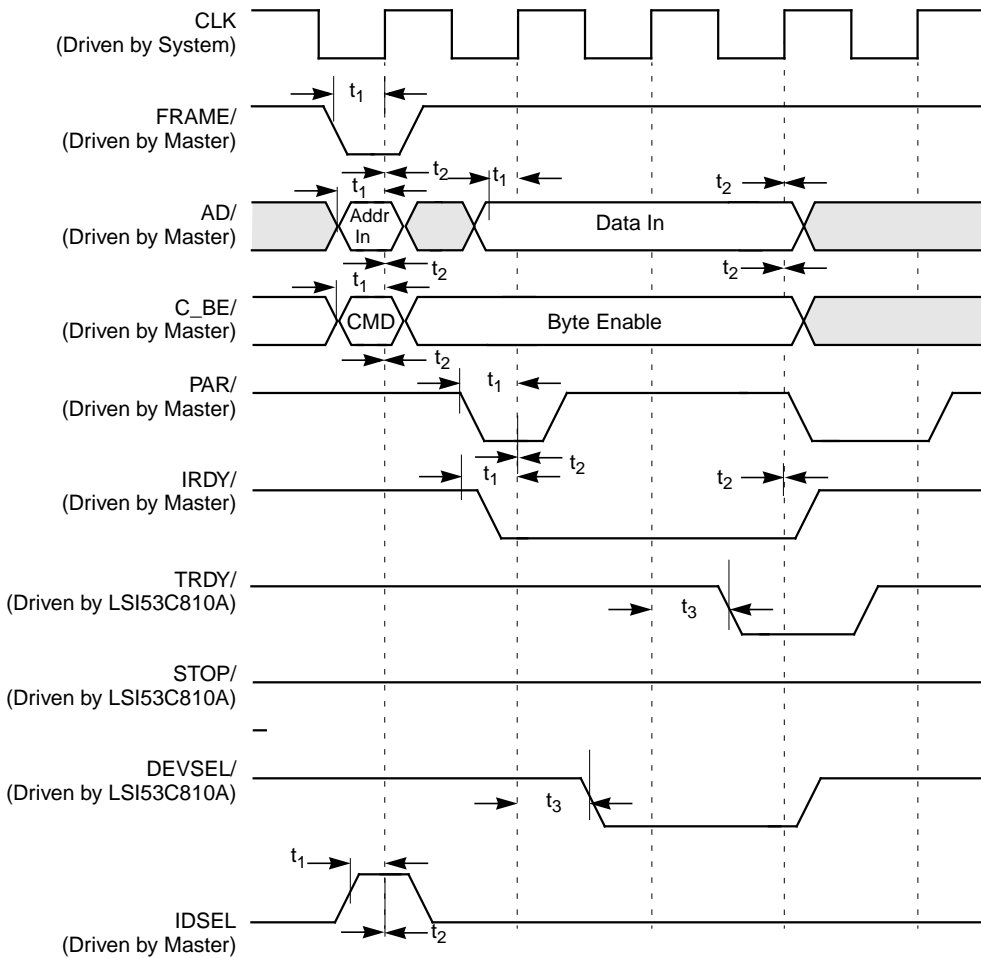
## 7.4.1 Target Timing

Figure 7.9 through Figure 7.12 describe target timing.

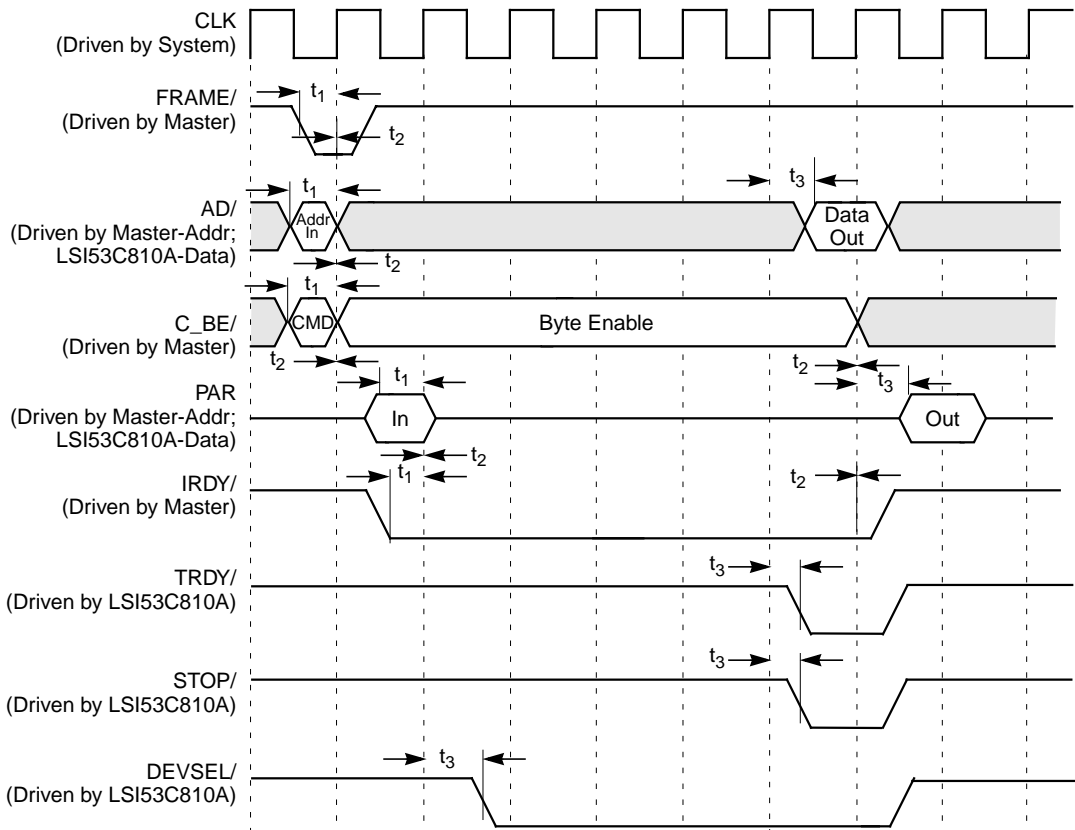
**Figure 7.9 PCI Configuration Register Read**



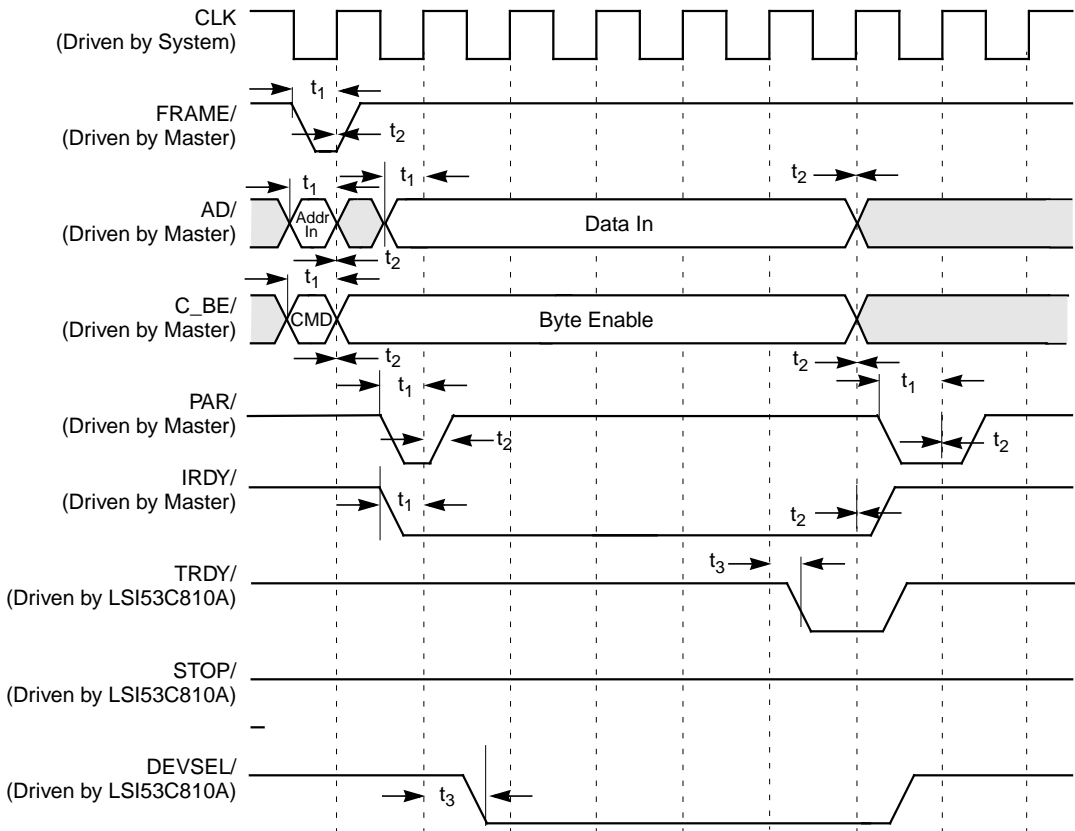
**Figure 7.10 PCI Configuration Register Write**



**Figure 7.11 Target Read**



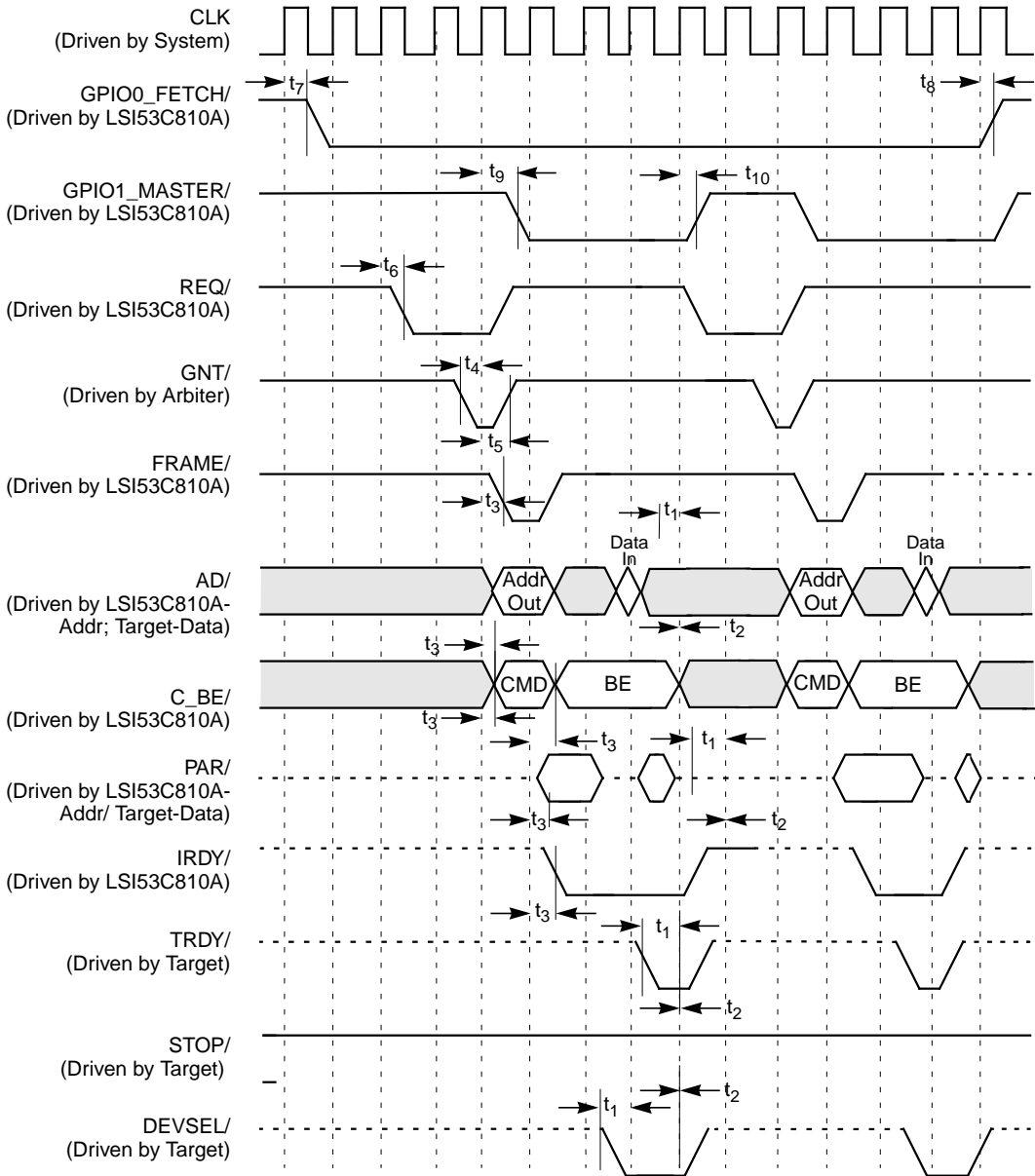
**Figure 7.12 Target Write**



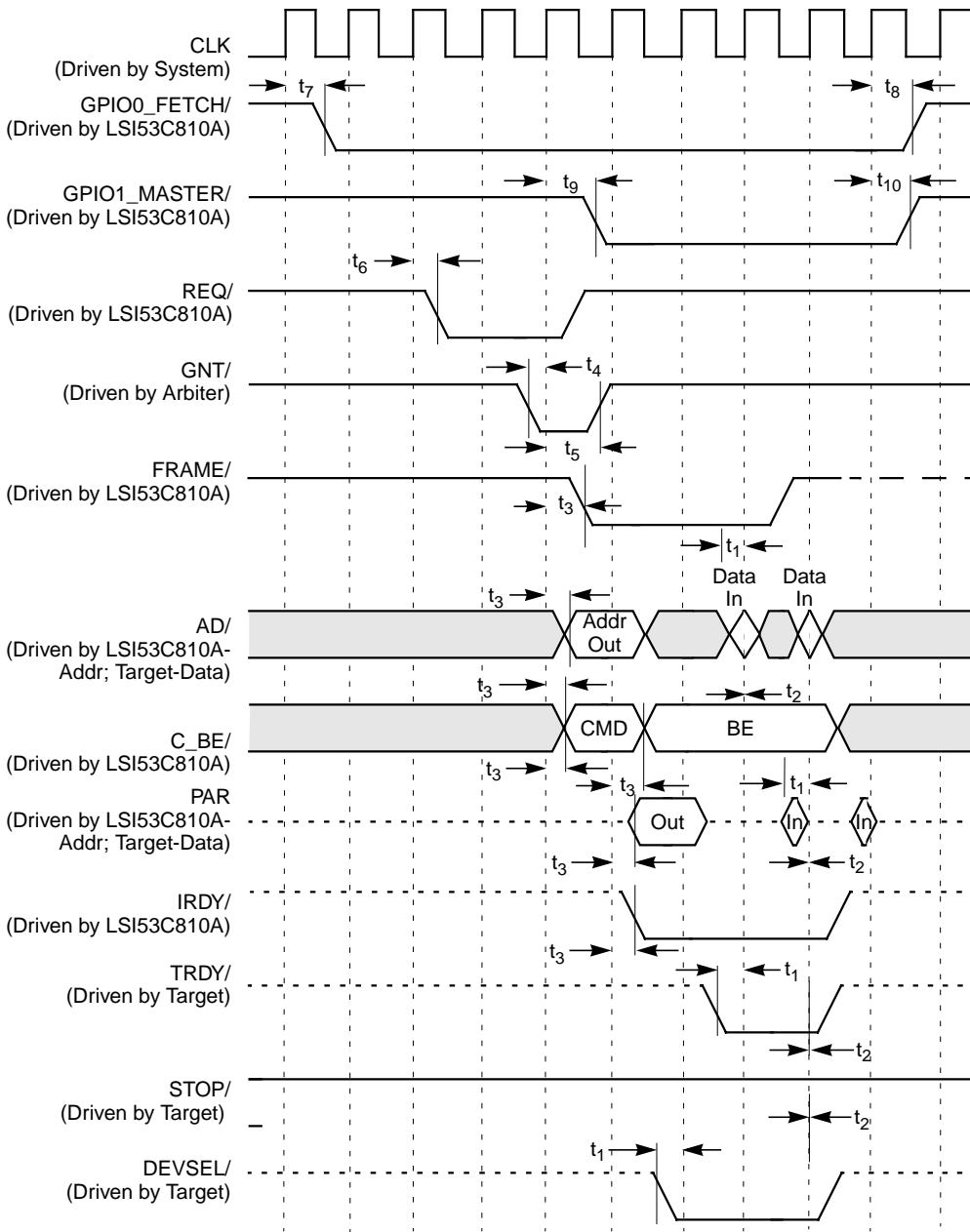
## 7.4.2 Initiator Timing

Figure 7.13 through Figure 7.18 describe initiator timing.

**Figure 7.13 OpCode Fetch, Nonburst**

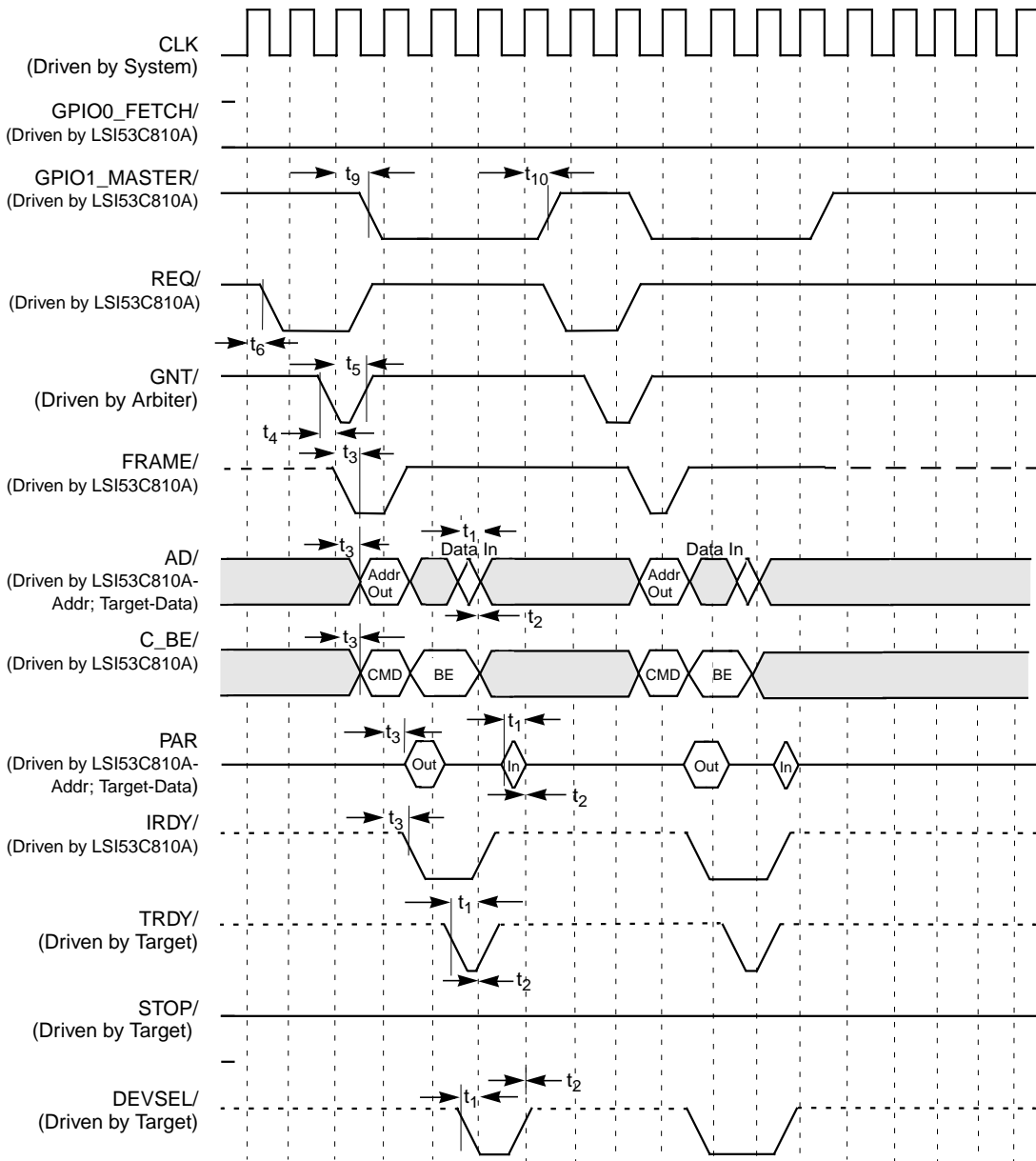


**Figure 7.14 Burst Opcode Fetch**

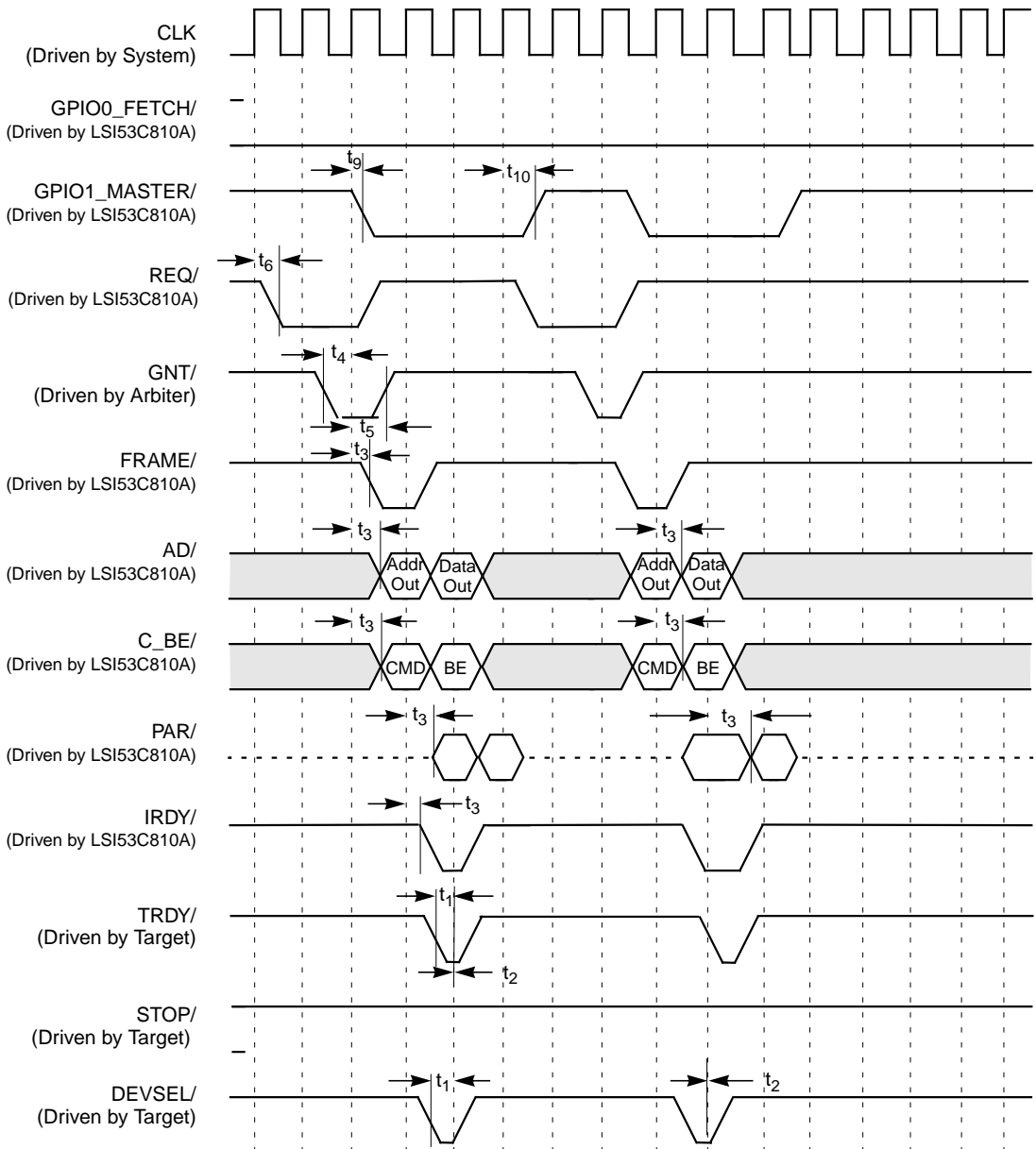




**Figure 7.15 Back-to-Back Read**

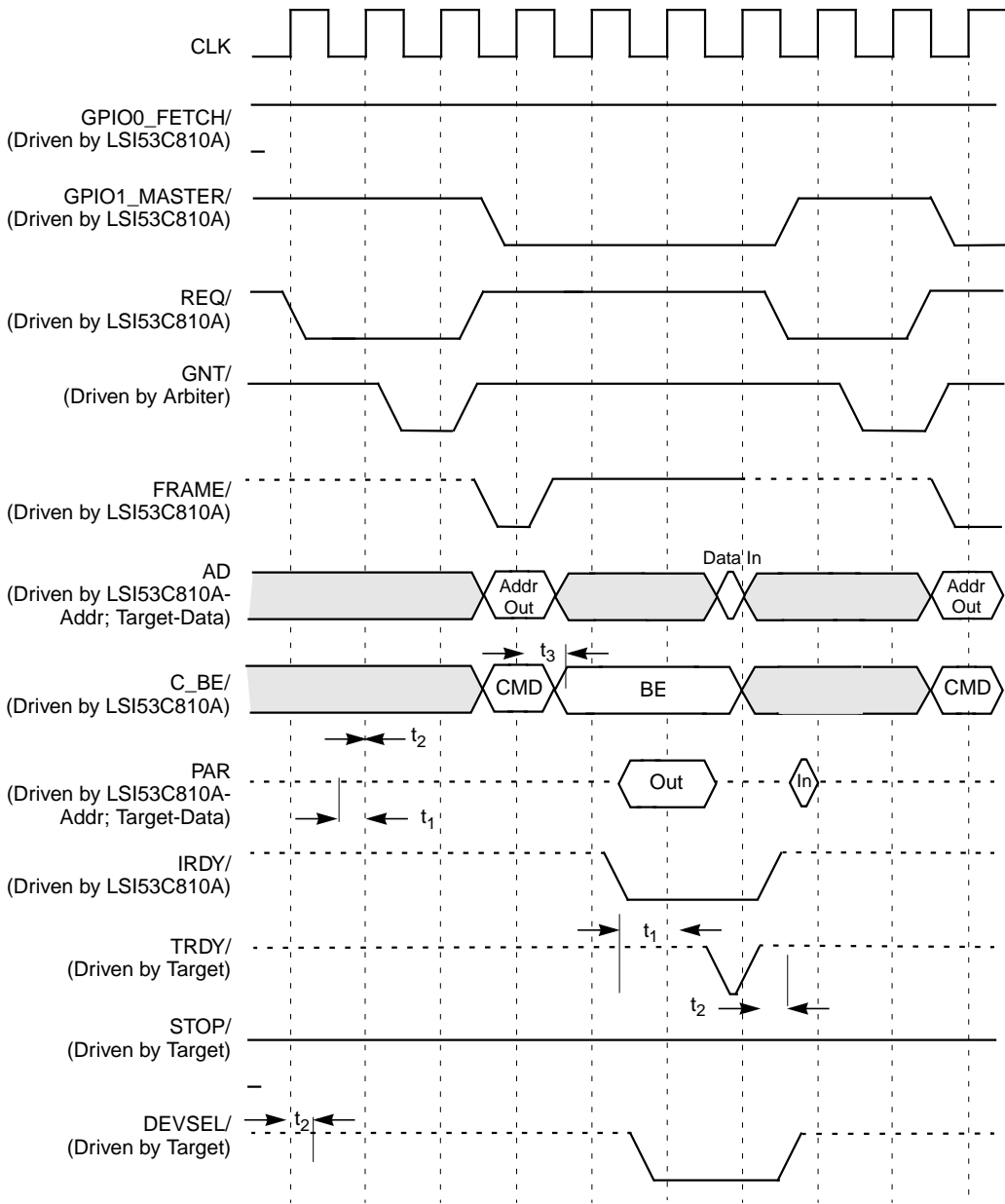


**Figure 7.16 Back-to-Back Write**

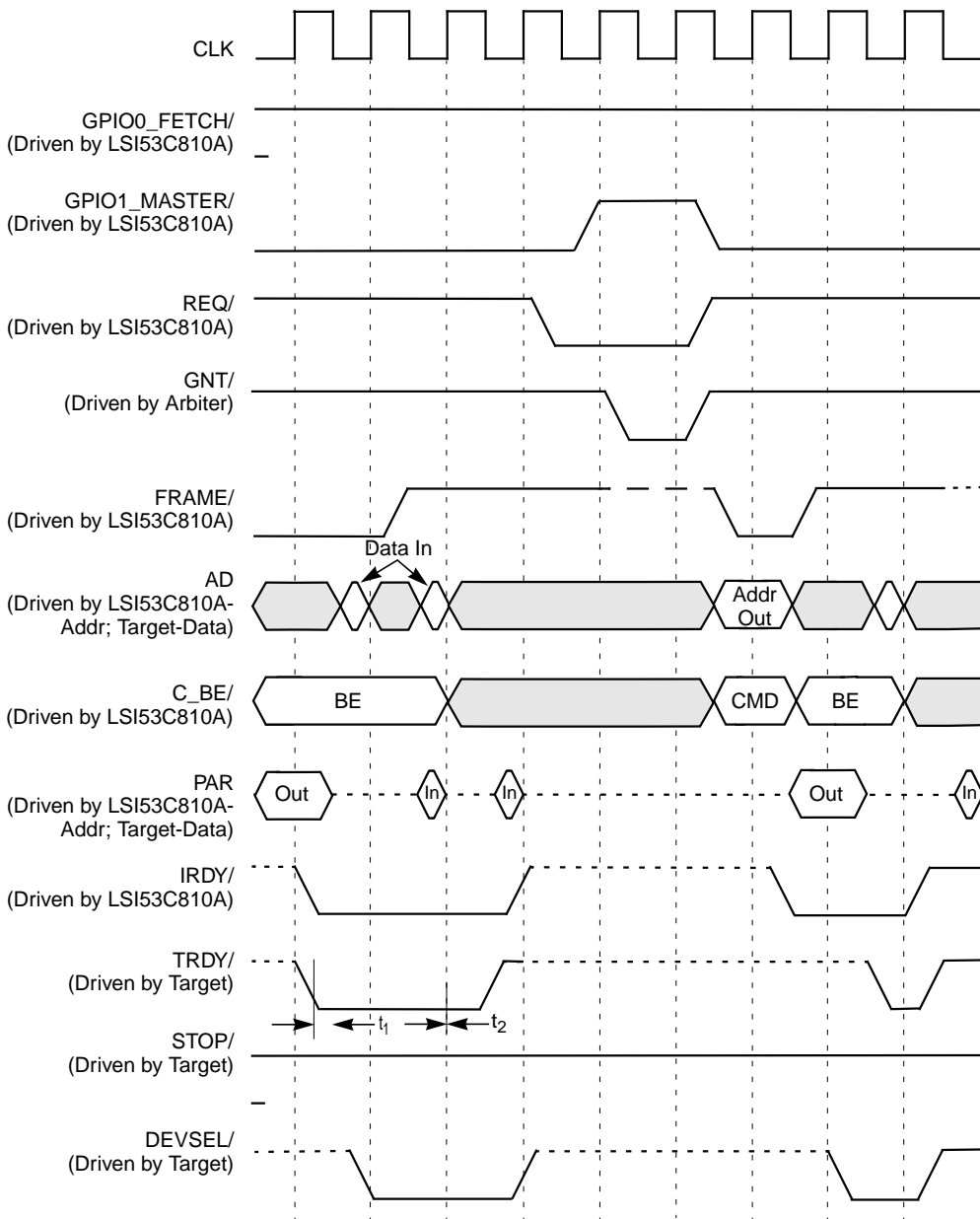


This page intentionally left blank.

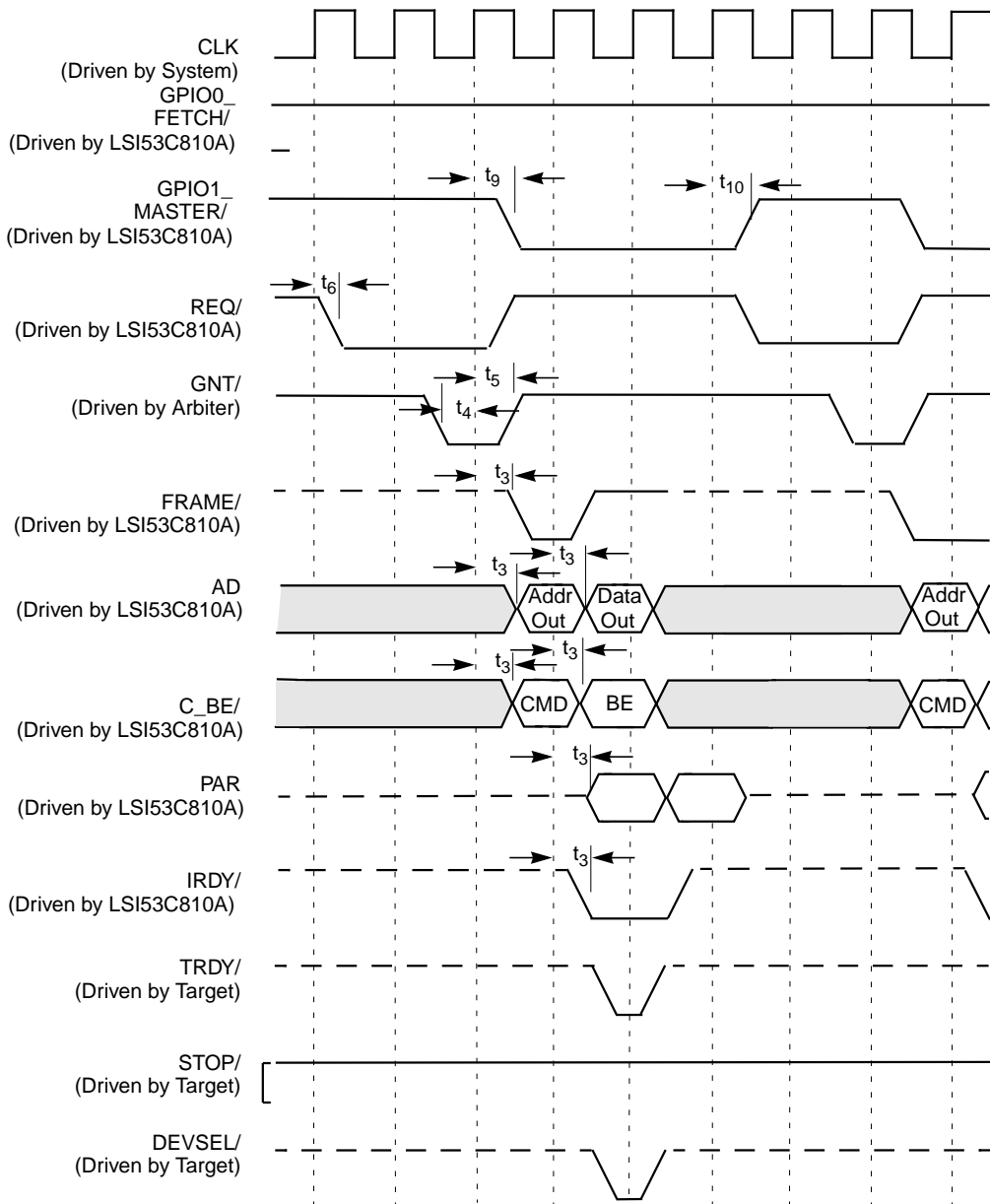
**Figure 7.17 Burst Read**



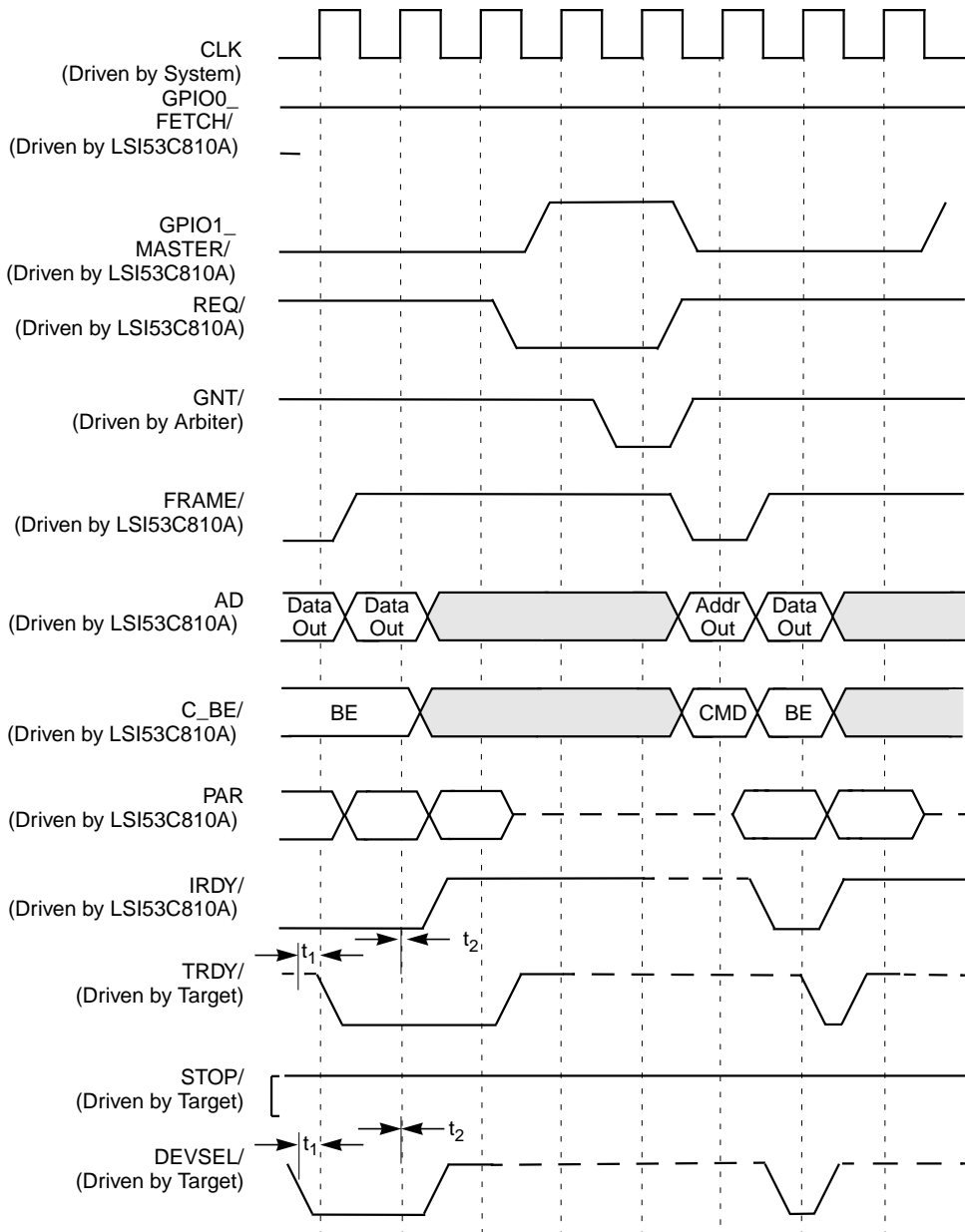
**Figure 7.17 Burst Read (Cont.)**



**Figure 7.18 Burst Write**



**Figure 7.18 Burst Write (Cont.)**



---

## 7.5 PCI Interface Timing

Table 7.16 describes the PCI timing data for the LSI53C810A.

**Table 7.16 PCI Timing**

Symbol	Parameter	Min	Max	Unit
$t_1$	Shared signal input setup time	7	–	ns
$t_2$	Shared signal input hold time	–	–	ns
$t_3$	CLK to shared signal output valid	–	11	ns
$t_4$	Side signal input setup time	10	–	ns
$t_5$	Side signal input hold time	–	–	ns
$t_6$	CLK to side signal output valid	–	12	ns
$t_7$	CLK high to FETCH/ low	–	20	ns
$t_8$	CLK high to FETCH/ high	–	20	ns
$t_9$	CLK high to MASTER/ low	–	20	ns
$t_{10}$	CLK high to MASTER/ high	–	20	ns



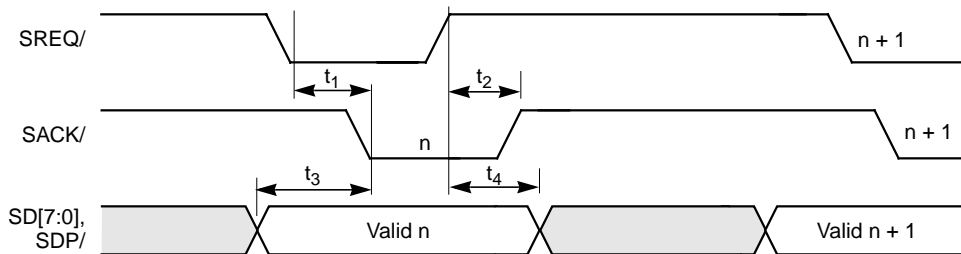
## 7.6 SCSI Timings

Tables 7.17 through 7.23 and Figures 7.19 through 7.23 describe the LSI53C810A SCSI timing data.

**Table 7.17 Initiator Asynchronous Send (5 Mbytes/s)**

Symbol	Parameter	Min	Max	Unit
$t_1$	SACK/ asserted from SREQ/ asserted	10	–	ns
$t_2$	SACK/ deasserted from SREQ/ deasserted	10	–	ns
$t_3$	Data setup to SACK/ asserted	55	–	ns
$t_4$	Data hold from SREQ/ deasserted	20	–	ns

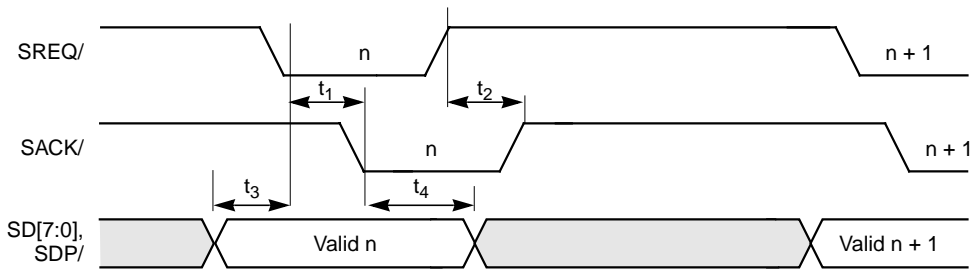
**Figure 7.19 Initiator Asynchronous Send**



**Table 7.18 Initiator Asynchronous Receive (5 Mbytes/s)**

Symbol	Parameter	Min	Max	Unit
$t_1$	SACK/ asserted from SREQ/ asserted	10	–	ns
$t_2$	SACK/ deasserted from SREQ/ deasserted	10	–	ns
$t_3$	Data setup to SREQ/ asserted	0	–	ns
$t_4$	Data hold from SACK/ asserted	0	–	ns

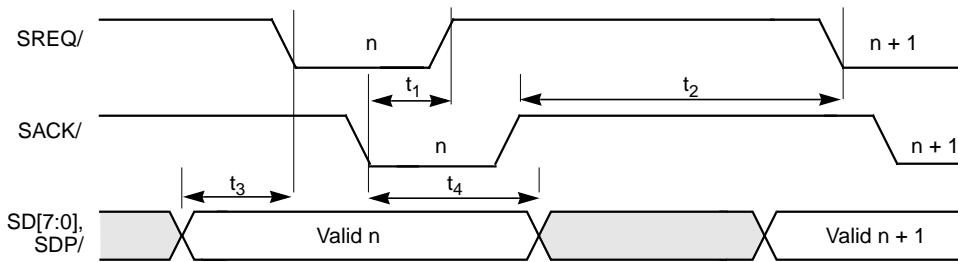
**Figure 7.20 Initiator Asynchronous Receive**



**Table 7.19 Target Asynchronous Send (5 Mbytes/s)**

Symbol	Parameter	Min	Max	Unit
$t_1$	SACK/ asserted from SREQ/ asserted	10	–	ns
$t_2$	SACK/ deasserted from SREQ/ deasserted	10	–	ns
$t_3$	Data setup to SREQ/ asserted	55	–	ns
$t_4$	Data hold from SACK/ asserted	20	–	ns

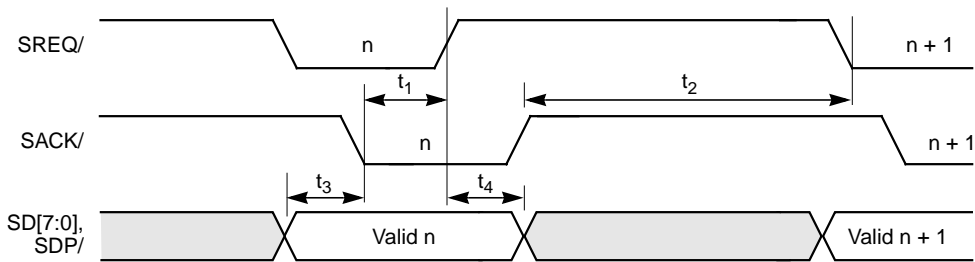
**Figure 7.21 Target Asynchronous Send**



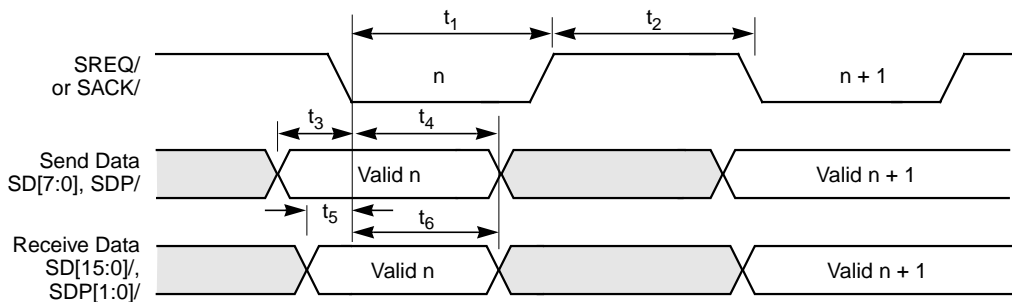
**Table 7.20 Target Asynchronous Receive (5 Mbytes/s)**

Symbol	Parameter	Min	Max	Unit
$t_1$	SREQ/ deasserted from SACK/ asserted	10	–	ns
$t_2$	SREQ/ asserted from SACK/ deasserted	10	–	ns
$t_3$	Data setup to SREQ/ asserted	0	–	ns
$t_4$	Data hold from SACK/ asserted	0	–	ns

**Figure 7.22 Target Asynchronous Receive**



**Figure 7.23 Initiator and Target Synchronous Transfers**



**Table 7.21 SCSI-1 Transfers (SE, 5.0 Mbytes/s)**

Symbol	Parameter	Min	Max	Unit
t <sub>1</sub>	Send SREQ/ or SACK/ assertion pulse width	90	–	ns
t <sub>2</sub>	Send SREQ/ or SACK/ deassertion pulse width	90	–	ns
t <sub>1</sub>	Receive SREQ/ or SACK/ assertion pulse width	90	–	ns
t <sub>2</sub>	Receive SREQ/ or SACK/ deassertion pulse width	90	–	ns
t <sub>3</sub>	Send data setup to SREQ/ or SACK/ asserted	55	–	ns
t <sub>4</sub>	Send data hold from SREQ/ or SACK/ asserted	100	–	ns
t <sub>5</sub>	Receive data setup to SREQ/ or SACK/ asserted	0	–	ns
t <sub>6</sub>	Receive data hold from SREQ/ or SACK/ asserted	45	–	ns

**Table 7.22 SCSI-2 Fast Transfers (10.0 Mbytes/s (8-Bit Transfers), 40 MHz Clock)**

Symbol	Parameter	Min	Max	Unit
t <sub>1</sub>	Send SREQ/ or SACK/ assertion pulse width	35	–	ns
t <sub>2</sub>	Send SREQ/ or SACK/ deassertion pulse width	35	–	ns
t <sub>1</sub>	Receive SREQ/ or SACK/ assertion pulse width	20	–	ns
t <sub>2</sub>	Receive SREQ/ or SACK/deassertion pulse width	20	–	ns
t <sub>3</sub>	Send data setup to SREQ/ or SACK/ asserted	33	–	ns
t <sub>4</sub>	Send data hold from SREQ/ or SACK/ asserted	45	–	ns
t <sub>5</sub>	Receive data setup to SREQ/ or SACK/ asserted	0	–	ns
t <sub>6</sub>	Receive data hold from SREQ/ or SACK/ asserted	10	–	ns

**Table 7.23 SCSI-2 Fast Transfers (10.0 Mbytes/s (8-Bit Transfers), 50 MHz Clock)**

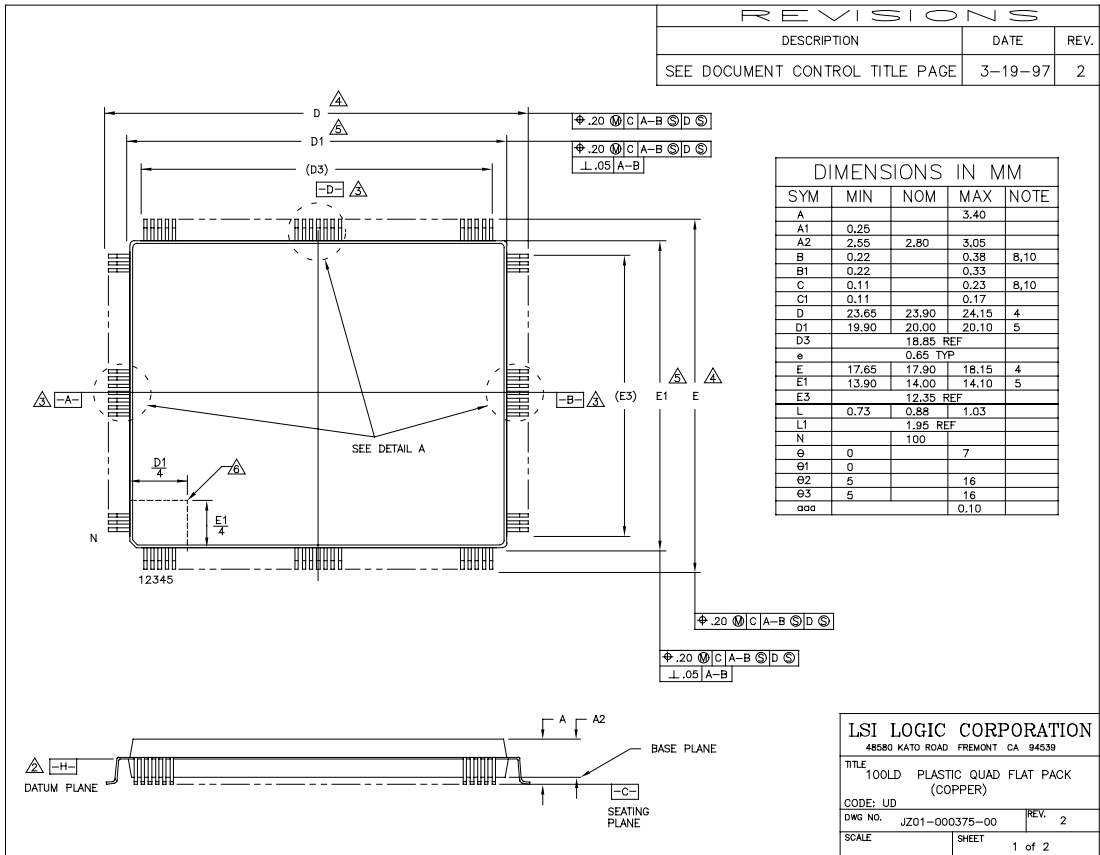
<b>Symbol</b>	<b>Parameter</b>	<b>Min</b>	<b>Max</b>	<b>Unit</b>
$t_1$	Send SREQ/ or SACK/ assertion pulse width	35	–	ns
$t_2$	Send SREQ/ or SACK/ deassertion pulse width	35	–	ns
$t_1$	Receive SREQ/ or SACK/ assertion pulse width	20	–	ns
$t_2$	Receive SREQ/ or SACK/deassertion pulse width	20	–	ns
$t_3$	Send data setup to SREQ/ or SACK/ asserted	33	–	ns
$t_4$	Send data hold from SREQ/ or SACK/ asserted	40	–	ns
$t_5$	Receive data setup to SREQ/ or SACK/ asserted	0	–	ns
$t_6$	Receive data hold from SREQ/ or SACK/ asserted	10	–	ns

---

## 7.7 Package Drawings

[Figure 7.24](#) illustrates the mechanical drawing for the LSI53C810A.

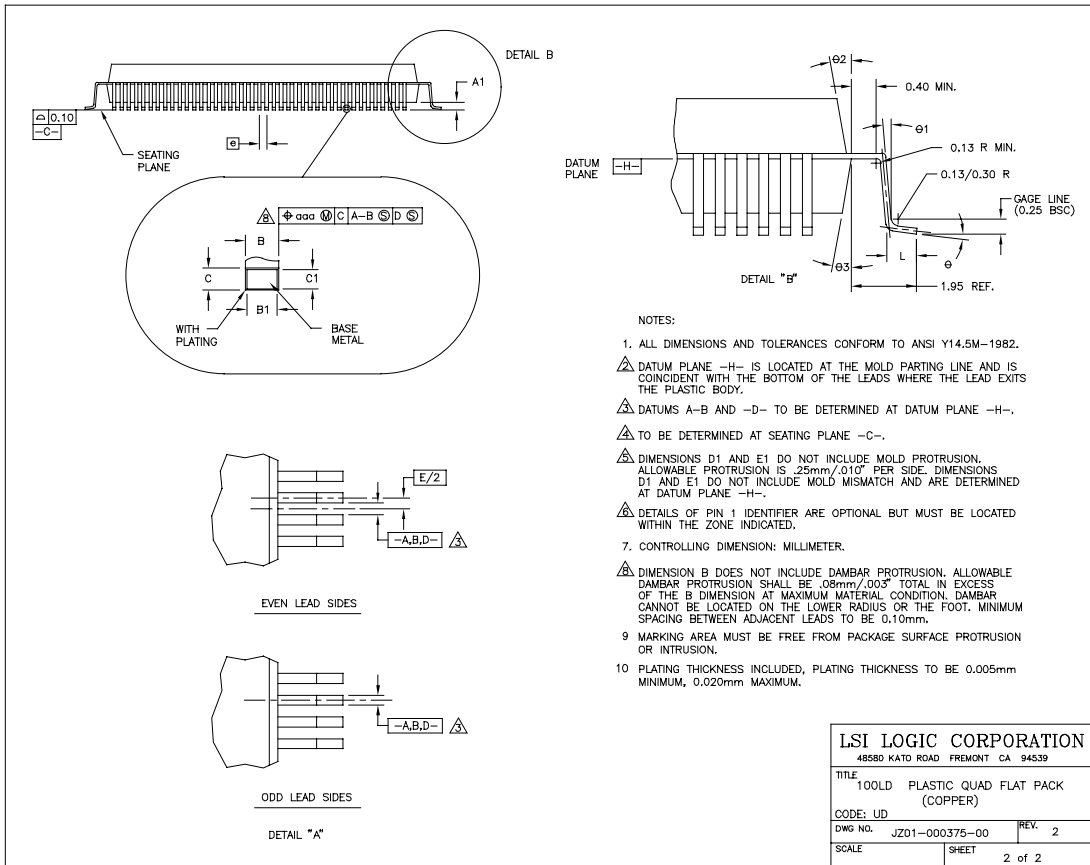
**Figure 7.24 100 LD PQFP (UD) Mechanical Drawing (Sheet 1 of 2)**



**Important:** This drawing may not be the latest version. For board layout and manufacturing, obtain the most recent engineering drawings from your LSI Logic marketing representative by requesting the outline drawing for package code UD.



**Figure 7.24 100 LD PQFP (UD) Mechanical Drawing (Sheet 2 of 2)**



<b>LSI LOGIC CORPORATION</b>	
48580 KATO ROAD FREMONT CA 94539	
TITLE 100LD PLASTIC QUAD FLAT PACK (COPPER)	
CODE: UD	
DWG NO. JZ01-000375-00	REV. 2
SCALE	SHEET 2 of 2

**Important:** This drawing may not be the latest version. For board layout and manufacturing, obtain the most recent engineering drawings from your LSI Logic marketing representative by requesting the outline drawing for package code UD.



# Appendix A

## Register Summary

Table A.1 lists the LSI53C810A configuration registers by register name.

**Table A.1 Configuration Registers**

Register Name	Address	Read/Write	Page
Base Address One (Memory)	0x14	Read/Write	3-17
Base Address Zero (I/O)	0x10	Read/Write	3-17
Cache Line Size	0x0C	Read/Write	3-16
Class Code	0x09	Read Only	3-15
Command	0x04	Read/Write	3-11
Device ID	0x02	Read Only	3-11
Header Type	0x0E	Read Only	3-17
Interrupt Line	0x3C	Read/Write	3-18
Interrupt Pin	0x3D	Read Only	3-18
Latency Timer	0x0D	Read/Write	3-16
Max_Lat	0x3F	Read Only	3-19
Min_Gnt	0x3E	Read Only	3-19
Revision ID	0x08	Read Only	3-15
Status	0x06	Read/Write	3-13
Vendor ID	0x00	Read Only	3-11

Table A.2 lists the LSI53C810A SCSI registers by register name.

**Table A.2 SCSI Registers**

Register Name	Address	Read/Write	Page
Adder Sum Output (ADDER)	0x3C–0x3F (0xBC–0xBF)	Read Only	5-47
Chip Test Five (CTEST5)	0x22 (0xA2)	Read/Write	5-36
Chip Test Four (CTEST4)	0x21 (0xA1)	Read/Write	5-34
Chip Test One (CTEST1)	0x19 (0x99)	Read Only	5-30
Chip Test Six (CTEST6)	0x23 (0xA3)	Read/Write	5-37
Chip Test Three (CTEST3)	0x1B (0x9B)	Read/Write	5-32
Chip Test Two (CTEST2)	0x1A (0x9A)	Read Only	5-30
Chip Test Zero (CTEST0)	0x18 (0x98)	Read/Write	5-29
Data Structure Address (DSA)	0x10–0x13 (0x90–0x93)	Read/Write	5-26
DMA Byte Counter (DBC)	0x24–0x26 (0xA4–0xA6)	Read/Write	5-38
DMA Command (DCMD)	0x27 (0xA7)	Read/Write	5-39
DMA Control (DCNTL)	0x3B (0xBB)	Read/Write	5-45
DMA FIFO (DFIFO)	0x20 (0xA0)	Read/Write	5-33
DMA Interrupt Enable (DIEN)	0x39 (0xB9)	Read/Write	5-44
DMA Mode (DMODE)	0x38 (0xB8)	Read/Write	5-41
DMA Next Address (DNAD)	0x28–0x2B (0xA8–0xAB)	Read/Write	5-39
DMA SCRIPTS Pointer (DSP)	0x2C–0x2F (0xAC–0xAF)	Read/Write	5-39
DMA SCRIPTS Pointer Save (DSPS)	0x30–0x33 (0xB0–0xB3)	Read/Write	5-40
DMA Status (DSTAT)	0x0C (0x8C)	Read Only	5-20
General Purpose (GPREG)	0x07 (0x87)	Read/Write	5-16
General Purpose Pin Control (GPCNTL)	0x47 (0xC7)	Read/Write	5-56
Interrupt Status (ISTAT)	0x14 (0x94)	Read/Write	5-26
Memory Access Control (MACNTL)	0x46 (0xC6)	Read/Write	5-55
Response ID (RESPID)	0x4A (0xCA)	Read/Write	5-59

**Table A.2 SCSI Registers**

Register Name	Address	Read/Write	Page
Scratch Byte Register (SBR)	0x3A (0xBA)	Read/Write	5-45
Scratch Register A (SCRATCHA)	0x34–0x37 (0xB4–0xB7)	Read/Write	5-41
SCSI Bus Control Lines (SBCL)	0x0B (0x8B)	Read Only	5-20
SCSI Bus Data Lines (SBDL)	0x58 (0xD8)	Read Only	5-66
SCSI Chip ID (SCID)	0x04 (0x84)	Read/Write	5-11
SCSI Control One (SCNTL1)	0x01 (0x81)	Read/Write	5-6
SCSI Control Three (SCNTL3)	0x03 (0x83)	Read/Write	5-9
SCSI Control Two (SCNTL2)	0x02 (0x82)	Read/Write	5-9
SCSI Control Zero (SCNTL0)	0x00 (0x80)	Read/Write	5-2
SCSI Destination ID (SDID)	0x06 (0x86)	Read/Write	5-15
SCSI First Byte Received (SFBR)	0x08 (0x88)	Read/Write	5-17
SCSI Input Data Latch (SIDL)	0x50 (0xD0)	Read Only	5-65
SCSI Interrupt Enable One (SIEN1)	0x41 (0xC1)	Read/Write	5-50
SCSI Interrupt Enable Zero (SIEN0)	0x40 (0xC0)	Read/Write	5-48
SCSI Interrupt Status One (SIST1)	0x43 (0xC3)	Read Only	5-53
SCSI Interrupt Status Zero (SIST0)	0x42 (0xC2)	Read Only	5-51
SCSI Longitudinal Parity (SLPAR)	0x44 (0xC4)	Read/Write	5-54
SCSI Output Control Latch (SOCL)	0x09 (0x89)	Read/Write	5-18
SCSI Output Data Latch (SODL)	0x54 (0xD4)	Read/Write	5-66
SCSI Selector ID (SSID)	0x0A (0x8A)	Read Only	5-19
SCSI Status One (SSTAT1)	0x0E (0x8E)	Read Only	5-24
SCSI Status Two (SSTAT2)	0x0F (0x8F)	Read Only	5-25
SCSI Status Zero (SSTAT0)	0x0D (0x8D)	Read Only	5-22
SCSI Test One (STEST1)	0x4D (0xCD)	Read/Write	5-61
SCSI Test Three (STEST3)	0x4F (0xCF)	Read/Write	5-63

**Table A.2 SCSI Registers**

<b>Register Name</b>	<b>Address</b>	<b>Read/Write</b>	<b>Page</b>
SCSI Test Two (STEST2)	0x4E (0xCE)	Read/Write	5-62
SCSI Test Zero (STEST0)	0x4C (0xCC)	Read Only	5-60
SCSI Timer One (STIME1)	0x49 (0xC9)	Read/Write	5-58
SCSI Timer Zero (STIME0)	0x48 (0xC8)	Read/Write	5-57
SCSI Transfer (SXFER)	0x05 (0x85)	Read/Write	5-12
Temporary (TEMP)	0x1C–0x1F (0x9C–0x9F)	Read/Write	5-33

# Index

---

## Symbols

(AD[31:0]) 4-6  
(BARO[31:0]) 3-17  
(BARZ[31:0]) 3-17  
(CLS[7:0]) 3-16  
(FMT) 5-29  
(HT[7:0]) 3-17  
(IL[7:0]) 3-18  
(IP[7:0]) 3-18  
(LT[7:0]) 3-16  
(MG[7:0]) 3-19  
(ML[7:0]) 3-19

## Numerics

encoded chip SCSI ID, bits 5-12  
3.3/5 volt PCI interface 2-5  
3-state 4-3

## A

AAP bit 5-5  
abort operation bit 5-26  
aborted bit 5-21, 5-44  
ABRT bit 5-21, 5-26, 5-44  
AC characteristics 7-10  
ACK bit 5-18, 5-20  
ADB bit 5-6  
ADCK bit 5-36  
ADDER register 5-47  
adder sum output register 5-47  
AESP bit 5-7  
AIP bit 5-23  
ARB[1:0] bits 5-3  
arbitration  
    arbitration mode bits 5-3  
    in progress bit 5-23  
    mode bits 5-3  
    priority encoder test bit 5-60  
ART bit 5-60  
assert even SCSI parity (force bad parity) bit 5-7  
assert SATN/ on parity error bit 5-5  
assert SCSI ACK bit 5-18  
assert SCSI ATN/ bit 5-18  
assert SCSI BSY/ bit 5-18  
assert SCSI C\_D/ bit 5-18  
assert SCSI data bus bit 5-6  
assert SCSI I\_O/ bit 5-18  
assert SCSI MSG/ bit 5-18  
assert SCSI REQ/ signal bit 5-18

assert SCSI RST/ signal bit 5-7  
assert SCSI SEL/ bit 5-18  
ATN bit 5-18, 5-20

## B

base address register  
    one (BARO[31:0]) 3-17  
    zero - I/O (BARZ[31:0]) 3-17  
BBCK bit 5-36  
BDIS bit 5-34  
benefits summary 1-3  
BF bit 5-21, 5-44  
bidirectional 4-3  
BL[1:0] bits 5-41  
block move instructions 6-5  
BO[6:0] bits 5-33  
BOF bit 5-43  
BSY bit 5-18, 5-20  
burst disable bit 5-34  
burst length bits 5-41  
burst mode fetch enable bit 5-43  
bus command and byte enables 4-6  
bus fault bit 5-21, 5-44  
byte  
    empty in DMA FIFO (FMT) 5-29  
byte empty in DMA FIFO bits 5-30  
byte full in DMA FIFO bits 5-30  
byte offset counter bits 5-33

## C

C\_BE/[3:0] 4-6  
C\_D bit 5-18, 5-20, 5-25  
cache line size  
    (CLS[7:0]) 3-16  
cache line size enable bit 5-45  
cache mode, see PCI cache mode 3-3  
CCF[2:0] bits 5-10  
chip revision level bits 5-32  
chip test five register 5-36  
chip test four register 5-34  
chip test one register 5-30  
chip test six register 5-37  
chip test two register 5-30  
chip test zero register 5-29  
chip type bits 5-55  
CIO bit 5-31  
clear SCSI FIFO bit 5-64  
CLK 4-5  
clock 4-5

clock address incrementor bit [5-36](#)  
clock byte counter bit [5-36](#)  
clock conversion factor bits [5-10](#)  
CLSE bit [5-45](#)  
CM bit [5-31](#)  
CMP bit [5-48](#), [5-51](#)  
COM bit [5-47](#)  
CON bit [5-7](#), [5-28](#)  
configured as I/O bit [5-31](#)  
configured as memory bit [5-31](#)  
connected bit [5-7](#), [5-28](#)  
CSF bit [5-64](#)  
CTEST0 register [5-29](#)  
CTEST1 register [5-30](#)  
CTEST2 register [5-30](#)  
CTEST4 register [5-34](#)  
CTEST5 register [5-36](#)  
CTEST6 register [5-37](#)  
cycle frame [4-7](#)

## D

DACK bit [5-31](#)  
data acknowledge status bit [5-31](#)  
data path [2-8](#)  
data request status bit [5-31](#)  
data structure address register [5-26](#)  
data transfer direction bit [5-30](#)  
dataRD bit [5-56](#)  
dataWR bit  
    DWR bit [5-56](#)  
DBC register [5-38](#)  
DC characteristics [7-1](#)  
DCMD register [5-39](#)  
DCNTL register [5-45](#)  
DDIR bit [5-30](#), [5-37](#)  
destination I/O-memory enable bit [5-42](#)  
determining the data transfer rate [2-13](#)  
device select [4-7](#)  
DEVSEL/ [4-7](#)  
DF[7:0] bits [5-37](#)  
DFE bit [5-21](#)  
DFIFO register [5-33](#)  
DHP bit [5-6](#)  
DIEN register [5-44](#)  
DIFFSENS SCSI signal [7-3](#)  
DIOM bit [5-42](#)  
DIP bit [5-29](#)  
disable halt on parity error or ATN bit [5-6](#)  
disable single initiator response bit [5-64](#)  
DMA byte counter register [5-38](#)  
DMA command register [5-39](#)  
DMA control register [5-45](#)  
DMA core [2-2](#)  
DMA direction bit [5-37](#)  
DMA FIFO [2-8](#)  
DMA FIFO bits [5-37](#)  
DMA FIFO empty bit [5-21](#)  
DMA FIFO register [5-33](#)  
DMA interrupt enable register [5-44](#)  
DMA interrupt pending bit [5-29](#)  
DMA mode register [5-41](#)  
DMA next address register [5-39](#)  
DMA SCRIPTS pointer register [5-39](#)  
DMA SCRIPTS pointer save register [5-40](#)  
DMA status register [5-20](#)

DMODE register [5-41](#)  
DNAD register [5-39](#)  
DRD bit [5-56](#)  
DREQ bit [5-31](#)  
DSA register [5-26](#)  
DSI bit [5-64](#)  
DSP register [5-39](#)  
DSPS register [5-40](#)  
DSTAT register [5-20](#)

## E

ease of use [1-4](#)  
enable parity checking bit [5-5](#)  
enable read line bit [5-42](#)  
enable read multiple bit [5-43](#)  
enable response to reselection bit [5-11](#)  
enable response to selection bit [5-11](#)  
encoded destination SCSI ID bits [5-15](#), [5-19](#)  
EPC bit [5-5](#)  
ERL bit [5-42](#)  
EXC bit [5-6](#)  
EXT bit [5-63](#)  
extend SREQ/SACK filtering bit [5-63](#)  
extra clock cycle of data setup bit [5-6](#)

## F

FBL[2:0] bits [5-36](#)  
fetch enable bit [5-57](#)  
fetch opcode bursting [2-4](#)  
FF[3:0] bits [5-24](#)  
FFL[3:0] bits [5-30](#)  
FIFO byte control bits [5-36](#)  
FIFO flags bits [5-24](#)  
FMT[3:0] bits [5-30](#)  
FRAME/ [4-7](#)  
function complete bit [5-48](#), [5-51](#)

## G

GEN bit [5-50](#), [5-54](#)  
GEN[3:0] bits [5-58](#)  
general purpose bits [5-16](#)  
general purpose pin control register [5-56](#)  
general purpose register [5-16](#)  
general purpose timer expired bit [5-50](#), [5-54](#)  
general purpose timer period bits [5-58](#)  
GNT/ [4-8](#)  
GPCNTL register [5-56](#)  
GPIO enable bits [5-57](#)  
GPIO[1:0] bits [5-16](#)  
GPIO\_EN[1:0] bits [5-57](#)  
GPREG register [5-16](#)  
grant [4-8](#)

## H

halt SCSI clock bit  
    HSC bit [5-64](#)  
handshake-to-handshake timer expired bit [5-50](#), [5-54](#)  
handshake-to-handshake timer period bits [5-57](#)  
header type (HT[7:0]) [3-17](#)  
high impedance mode bit [5-35](#)  
HTH bit [5-50](#), [5-54](#)



## I

- I/O bit [5-25](#)
- I/O instructions [6-13](#)
- I\_O bit [5-18](#)
- IARB bit [5-7](#)
- IDSEL [4-7](#)
- IID bit [5-22](#), [5-44](#)
- illegal instruction detected bit [5-22](#), [5-44](#)
- immediate arbitration bit [5-7](#)
- initialization device select [4-7](#)
- initiator mode
  - phase mismatch [5-51](#)
- initiator ready [4-7](#)
- input [4-3](#)
- instructions
  - block move [6-5](#)
  - I/O [6-13](#)
  - load and store [6-39](#)
  - memory move [6-36](#)
  - read/write [6-23](#)
  - transfer control [6-27](#)
- interrupt
  - line [3-18](#)
  - pin (IP[7:0]) [3-18](#)
- interrupt status register [5-26](#)
- interrupt-on-the-fly bit [5-28](#)
- interrupts
  - fatal vs. nonfatal interrupts [2-18](#)
  - halting [2-20](#)
  - IRQ disable bit [2-17](#), [5-46](#)
  - masking [2-18](#)
  - polling vs. hardware [2-15](#)
  - registers [2-16](#)
  - stacked interrupts [2-19](#)
- INTF bit [5-28](#)
- IRDY/ [4-7](#)
- IRQ disable bit [5-46](#)
- IRQ mode bit [5-46](#)
- IRQD bit [5-46](#)
- IRQM bit [5-46](#)
- ISTAT register [5-26](#)

## L

- last disconnect bit [5-25](#)
- latched SCSI parity bit [5-24](#)
- latency
  - timer (LT[7:0]) [3-16](#)
- LDSC bit [5-25](#)
- LOA bit [5-23](#)
- load and store instructions [6-39](#)
  - no flush option [6-40](#)
  - prefetch unit and store instructions [2-4](#), [6-41](#)
- lost arbitration bit [5-23](#)
- LOW bit [5-63](#)
- LSI53C700 family compatibility bit [5-47](#)
- LSI53C810A
  - ease of use [1-4](#)
  - flexibility [1-5](#)
  - integration [1-4](#)
  - performance [1-3](#)
  - reliability [1-5](#)
  - testability [1-6](#)

## M

- M/A bit [5-48](#), [5-51](#)
- MACNTL register [5-55](#)
- MAN bit [5-43](#)
- manual start mode bit [5-43](#)
- MASR bit [5-37](#)
- master control for set or reset pulses bit [5-37](#)
- master data parity error bit [5-21](#)
  - MDPE bit [5-44](#)
- master enable bit [5-56](#)
- master parity error enable bit [5-35](#)
- max SCSI synchronous offset bits [5-14](#)
- max\_lat (ML[7:0]) [3-19](#)
- MDPE bit [5-21](#)
- memory access control register [5-55](#)
- memory move instructions [6-36](#)
  - and SCRIPTS instruction prefetching [2-3](#)
  - no flush option [6-38](#)
- memory read line command [3-6](#)
- memory read multiple command [3-7](#)
- memory write and invalidate command [3-5](#)
  - write and invalidate mode bit [3-12](#)
- min\_gnt (MG[7:0]) [3-19](#)
- move to/from SFBF cycles [6-24](#)
- MPEE bit [5-35](#)
- MSG bit [5-18](#), [5-20](#), [5-25](#)

## N

- NFMMOV instruction [6-38](#)
- no flush memory-to-memory move [6-38](#)

## O

- OLF bit [5-23](#)
- opcode fetch bursting [2-4](#)
- operating registers
  - adder sum output [5-47](#)
  - chip test five [5-36](#)
  - chip test four [5-34](#)
  - chip test one [5-30](#)
  - chip test six [5-37](#)
  - chip test three [5-32](#)
  - chip test two [5-30](#)
  - chip test zero [5-29](#)
  - data structure address [5-26](#)
  - DMA byte counter [5-38](#)
  - DMA command [5-39](#)
  - DMA control [5-45](#)
  - DMA FIFO [5-33](#)
  - DMA interrupt enable [5-44](#)
  - DMA mode [5-41](#)
  - DMA next address [5-39](#)
  - DMA SCRIPTS pointer [5-39](#)
  - DMA SCRIPTS pointer save [5-40](#)
  - DMA status [5-20](#)
  - general information [5-1](#)
  - general purpose [5-16](#)
  - general purpose pin control [5-56](#)
  - interrupt status [5-26](#)
  - memory access control [5-55](#)
  - response ID zero [5-59](#)
  - scratch register A [5-41](#)
  - SCSI bus control lines [5-20](#)

- SCSI bus data lines [5-66](#)
- SCSI chip ID [5-11](#)
- SCSI control one register [5-6](#)
- SCSI control register two [5-9](#)
- SCSI control three [5-9](#)
- SCSI control zero [5-2](#)
- SCSI destination ID [5-15](#)
- SCSI first byte received [5-17](#)
- SCSI input data latch [5-65](#)
- SCSI interrupt enable one [5-50](#)
- SCSI interrupt enable zero [5-48](#)
- SCSI interrupt status one [5-53](#)
- SCSI interrupt status zero [5-51](#)
- SCSI longitudinal parity [5-54](#)
- SCSI output control latch [5-18](#)
- SCSI output data latch [5-66](#)
- SCSI selector ID [5-19](#)
- SCSI status one [5-24](#)
- SCSI status two [5-25](#)
- SCSI status zero [5-22](#)
- SCSI test one [5-61](#)
- SCSI test three [5-63](#)
- SCSI test two [5-62](#)
- SCSI test zero [5-60](#)
- SCSI timer one [5-58](#)
- SCSI timer zero [5-57](#)
- SCSI transfer [5-12](#)
- temporary stack [5-33](#)
- ORF bit [5-22](#)

## P

- PAR [4-6](#)
- PAR bit [5-49](#), [5-53](#)
- parity [2-5](#), [4-6](#)
  - assert even SCSI parity bit [5-7](#)
  - assert SATN/ on parity error bit [5-5](#)
  - disable halt on parity error bit [5-6](#)
  - enable parity checking bit [5-5](#)
  - master data parity error bit [5-44](#)
  - master parity error enable bit [5-35](#)
  - parity error bit [5-53](#)
  - SCSI parity error bit [5-49](#)
- parity error [4-8](#)
- parity error bit [5-53](#)
- PCI
  - bus commands and functions supported [3-2](#)
- PCI bus commands and functions supported [3-2](#)
- PCI cache mode [2-4](#), [3-3](#)
  - cache line size enable bit [5-45](#)
  - cache line size register [3-16](#)
  - enable read line bit [5-42](#)
  - enable read multiple bit [5-43](#)
  - memory read line command [3-6](#)
  - memory read multiple command [3-7](#)
  - memory write and invalidate command [3-5](#)
    - write and invalidate mode bit [3-12](#)
- PCI commands [3-2](#)
- PCI configuration registers [3-9](#) to [3-19](#)
  - base address one (memory) [3-17](#)
  - base address zero (I/O) [3-17](#)
  - cache line size [3-16](#)
  - class code [3-15](#)
  - command [3-11](#)
  - device ID [3-11](#)
  - header type [3-17](#)

- interrupt line [3-18](#)
- interrupt pin [3-18](#)
- latency timer [3-16](#)
- max\_lat [3-19](#)
- min\_gnt [3-19](#)
- revision ID [3-15](#)
- status [3-13](#)
- vendor ID [3-11](#)
- PCI configuration space [3-1](#)
- PCI I/O space [3-2](#)
- PCI memory space [3-2](#)
- PERR/ [4-8](#)
- PFEN bit [5-45](#)
- PFF bit [5-45](#)
- phase mismatch bit [5-51](#)
- physical dword address and data [4-6](#)
- pointer SCRIPTS bit
  - PSCPT bit [5-56](#)
- prefetch enable bit [5-45](#)
- prefetch flush bit [5-45](#)

## R

- read multiple commands
  - enable read multiple bit [5-43](#)
- read/write instructions [6-23](#)
- read-modify-write cycles [6-26](#)
- register addresses
  - operating registers
    - 0x00 [5-2](#)
    - 0x01 [5-6](#)
    - 0x02 [5-9](#)
    - 0x03 [5-9](#)
    - 0x04 [5-11](#)
    - 0x05 [5-12](#)
    - 0x06 [5-15](#)
    - 0x07 [5-16](#)
    - 0x08 [5-17](#)
    - 0x09 [5-18](#)
    - 0x0A [5-19](#)
    - 0x0B [5-20](#)
    - 0x0C [5-20](#)
    - 0x0D [5-22](#)
    - 0x0E [5-24](#)
    - 0x0F [5-25](#)
    - 0x10–0x13 [5-26](#)
    - 0x14 [5-26](#)
    - 0x18 [5-29](#)
    - 0x19 [5-30](#)
    - 0x1A [5-30](#)
    - 0x1C–0x1F [5-33](#)
    - 0x20 [5-33](#)
    - 0x21 [5-34](#)
    - 0x22 [5-36](#)
    - 0x23 [5-37](#)
    - 0x24–0x26 [5-38](#)
    - 0x27 [5-39](#)
    - 0x28–0x2B [5-39](#)
    - 0x2C–0x2F [5-39](#)
    - 0x30–0x33 [5-40](#)
    - 0x34–0x37 [5-41](#)
    - 0x38 [5-41](#)
    - 0x39 [5-44](#)
    - 0x3B [5-45](#)
    - 0x3C–0x3F [5-47](#)
    - 0x40 [5-48](#)

- 0x41 [5-50](#)
- 0x42 [5-51](#)
- 0x43 [5-53](#)
- 0x44 [5-54](#)
- 0x46 [5-55](#)
- 0x47 [5-56](#)
- 0x48 [5-57](#)
- 0x49 [5-58](#)
- 0x4A [5-59](#)
- 0x4C [5-60](#)
- 0x4D [5-61](#)
- 0x4E [5-62](#)
- 0x4F [5-63](#)
- 0x50 [5-65](#)
- 0x54 [5-66](#)
- 0x58 [5-66](#)
- PCI configuration registers
  - 0x00 [3-11](#)
  - 0x02 [3-11](#)
  - 0x04 [3-11](#)
  - 0x06 [3-13](#)
  - 0x08 [3-15](#)
  - 0x09 [3-15](#)
  - 0x0C [3-16](#)
  - 0x0D [3-16](#)
  - 0x0E [3-17](#)
  - 0x10 [3-17](#)
  - 0x14 [3-17](#)
  - 0x3C [3-18](#)
  - 0x3D [3-18](#)
  - 0x3E [3-19](#)
  - 0x3F [3-19](#)
- encoded chip SCSI ID, bits [5-12](#)
- register bits
  - abort operation [5-26](#)
  - aborted [5-21](#), [5-44](#)
  - arbitration in progress [5-23](#)
  - arbitration mode [5-3](#)
  - arbitration priority encoder test [5-60](#)
  - assert even SCSI parity [5-7](#)
  - assert SATN/ on parity error [5-5](#)
  - assert SCSI ACK [5-18](#)
  - assert SCSI ATN/ [5-18](#)
  - assert SCSI BSY/ [5-18](#)
  - assert SCSI C\_D/ [5-18](#)
  - assert SCSI data bus [5-6](#)
  - assert SCSI I\_O/ [5-18](#)
  - assert SCSI MSG/ [5-18](#)
  - assert SCSI REQ/ signal [5-18](#)
  - assert SCSI RST/ signal [5-7](#)
  - assert SCSI SEL/ [5-18](#)
  - burst disable [5-34](#)
  - burst length [5-41](#)
  - burst mode fetch enable [5-43](#)
  - bus fault [5-44](#)
  - byte empty in DMA FIFO [5-30](#)
  - byte full in DMA FIFO [5-30](#)
  - byte offset counter [5-33](#)
  - cache line size enable [5-45](#)
  - chip revision level [5-32](#)
  - chip type [5-55](#)
  - clear DMA FIFO [5-32](#)
  - clear SCSI FIFO [5-64](#)
  - clock address incrementor [5-36](#)
  - clock byte counter [5-36](#)
  - clock conversion factor [5-10](#)
  - configured as I/O [5-31](#)
  - configured as memory [5-31](#)
  - connected [5-7](#), [5-28](#)
  - DACK [5-31](#)
  - data transfer direction [5-30](#)
  - dataRD [5-56](#)
  - dataWR [5-56](#)
  - destination I/O-memory enable [5-42](#)
  - disable halt on parity error [5-6](#)
  - disable single initiator response [5-64](#)
  - DMA direction [5-37](#)
  - DMA FIFO [5-37](#)
  - DMA FIFO empty bit [5-21](#)
  - DMA interrupt pending [5-29](#)
  - DREQ [5-31](#)
  - enable parity checking [5-5](#)
  - enable read line [5-42](#)
  - enable read multiple [5-43](#)
  - enable response to reselection [5-11](#)
  - enable response to selection [5-11](#)
  - encoded destination ID [5-15](#)
  - encoded destination SCSI ID [5-19](#)
  - extend SREQ/SACK filtering [5-63](#)
  - extra clock cycle of data setup [5-6](#)
  - fetch enable [5-57](#)
  - fetch pin mode [5-32](#)
  - FIFO byte control [5-36](#)
  - FIFO flags [5-24](#)
  - flush DMA FIFO [5-32](#)
  - function complete [5-48](#), [5-51](#)
  - general purpose timer expired [5-50](#), [5-54](#)
  - general purpose timer period [5-58](#)
  - GPIO enable [5-57](#)
  - GPIO[1:0] [5-16](#)
  - halt SCSI clock [5-64](#)
  - handshake-to-handshake timer expired [5-50](#), [5-54](#)
  - handshake-to-handshake timer period [5-57](#)
  - high impedance mode [5-35](#)
  - illegal instruction detected [5-22](#), [5-44](#)
  - immediate arbitration [5-7](#)
  - interrupt-on-the-fly [5-28](#)
  - IRQ disable [5-46](#)
  - IRQ mode [5-46](#)
  - last disconnect [5-25](#)
  - latched SCSI parity [5-24](#)
  - lost arbitration [5-23](#)
  - LSI53C700 family compatibility [5-47](#)
  - manual start mode [5-43](#)
  - master control for set or reset pulses [5-37](#)
  - master data parity error [5-21](#), [5-44](#)
  - master enable [5-56](#)
  - master parity error enable [5-35](#)
  - max SCSI synchronous offset [5-14](#)
  - parity error [5-53](#)
  - phase mismatch or SATN/ active [5-51](#)
  - pointer SCRIPTS [5-56](#)
  - prefetch enable [5-45](#)
  - prefetch flush [5-45](#)
  - reselected [5-48](#), [5-52](#)
  - reset SCSI offset [5-62](#)
  - SACK/ status [5-20](#)
  - SATN/ status [5-20](#)
  - SBSY/ status [5-20](#)
  - SC\_D/ status [5-20](#)
  - SCLK [5-61](#)
  - SCRIPTS [5-56](#)

- SCRIPTS interrupt instruction received 5-21, 5-44
- SCSI C\_D/ signal 5-25
- SCSI control enable 5-62
- SCSI data high impedance 5-35
- SCSI disconnect unexpected 5-9
- SCSI FIFO test read 5-64
- SCSI FIFO test write 5-65
- SCSI gross error 5-48, 5-52
- SCSI high impedance mode 5-62
- SCSI I\_O/ signal 5-25
- SCSI interrupt pending 5-28
- SCSI isolation 5-61
- SCSI loopback mode 5-62
- SCSI low level mode 5-63
- SCSI MSG/ signal 5-25
- SCSI parity error 5-49
- SCSI phase mismatch or SCSI ATN condition 5-48
- SCSI reset condition 5-49
- SCSI RST/ received 5-53
- SCSI RST/ signal 5-23
- SCSI SDP/ signal 5-23
- SCSI selected as ID 5-60
- SCSI synchronous offset maximum 5-61
- SCSI synchronous offset zero 5-60
- SCSI synchronous transfer period 5-12
- SCSI true end of process 5-31
- SCSI valid 5-19
- select with SATN/ on a start sequence 5-4
- selected 5-48, 5-52
- selection or reselection time-out 5-50, 5-54
- selection response logic test 5-60
- selection time-out 5-58
- semaphore 5-27
- shadow register test mode 5-35
- SI\_O/ status 5-20
- SIDL full 5-22
- signal process 5-27, 5-31
- single step interrupt 5-21, 5-44
- single-step mode 5-46
- SMSG/ status 5-20
- SODL full 5-23
- SODR full 5-22
- software reset 5-27
- source I/O-memory enable 5-42
- SREQ/ status 5-20
- SSEL/ status 5-20
- start DMA operation 5-46
- start SCSI transfer 5-8
- start sequence 5-4
- synchronous clock conversion factor bits 5-9
- target mode 5-5
- unexpected disconnect 5-49, 5-52
- WATN 5-4
- won arbitration 5-23
- reliability 1-5
- REQ bit 5-18, 5-20
- REQ/ 4-8
- request 4-8
- reselect
  - during reselection 2-11
  - response to 2-11
- reselected bit 5-48, 5-52
- reset 4-5
- reset SCSI offset bit 5-62
- RESPID0 register 5-59
- response ID zero register 5-59

- revision level bits 5-32
- ROF bit 5-62
- RRE bit 5-11
- RSL bit 5-48, 5-52
- RST bit 5-7, 5-49, 5-53
- RST/ 4-5
- RST/ bit 5-23

## S

- SACK/ 4-9
- SACK/ status bit 5-20
- SATN/ 4-9
- SATN/ active bit 5-51
- SATN/ status bit 5-20
- SBCL register 5-20
- SBDL register 5-66
- SBSY/ 4-9
- SBSY/ status bit 5-20
- SC\_D/ status bit 5-20
- SCD/ 4-9
- SCE bit 5-62
- SCF[2:0] bits 5-9
- SCID register 5-11
- SCLK 4-9
- SCLK bit 5-61
- SCNTL0 register 5-2
- SCNTL1 register 5-6
- SCNTL2 register 5-9
- SCNTL3 register 5-9
- SCPTS bit 5-56
- SCRATCHA register 5-41
- SCRIPTS
  - sample operation 6-3
- SCRIPTS bit 5-56
- SCRIPTS instruction prefetching
  - no flush memory move instruction 6-38
  - prefetch enable bit 5-45
  - prefetch flush bit 5-45
- SCRIPTS interrupt instruction received bit 5-21, 5-44
- SCRIPTS processor 2-2
  - performance 2-2
- SCSI
  - termination 2-11
- SCSI ATN condition - target mode 5-48
- SCSI bus control lines register 5-20
- SCSI bus data lines register 5-66
- SCSI bus interface 2-11 to 2-12
- SCSI C\_D/ signal 5-25
- SCSI chip ID register 5-11
- SCSI clock 4-9
- SCSI control 4-9
- SCSI control enable bit 5-62
- SCSI control one register 5-6
- SCSI control three register 5-9
- SCSI control two register 5-9
- SCSI control zero register 5-2
- SCSI core 2-1
- SCSI data high impedance bit 5-35
- SCSI destination ID register 5-15
- SCSI disconnect unexpected bit 5-9
- SCSI FIFO test read bit 5-64
- SCSI FIFO test write bit 5-65
- SCSI first byte received register 5-17
- SCSI gross error bit 5-48, 5-52
- SCSI high impedance mode bit 5-62

SCSI I\_O/ bit 5-25  
 SCSI input data latch register 5-65  
 SCSI instructions  
   block move 6-5  
   I/O 6-13  
   load/store 6-39  
   memory move 6-36  
   read/write 6-23  
 SCSI interrupt enable one register 5-50  
 SCSI interrupt enable zero register 5-48  
 SCSI interrupt pending bit 5-28  
 SCSI interrupt status one register 5-53  
 SCSI interrupt status zero register 5-51  
 SCSI isolation bit 5-61  
 SCSI longitudinal parity register 5-54  
 SCSI loopback mode bit 5-62  
 SCSI low level mode 5-63  
 SCSI MSG/ bit 5-25  
 SCSI output control latch register 5-18  
 SCSI output data latch register 5-66  
 SCSI parity error bit 5-49  
 SCSI phase mismatch - initiator mode bit 5-48  
 SCSI reset condition bit 5-49  
 SCSI RST/ received bit 5-53  
 SCSI RST/ signal bit 5-23  
 SCSI SCRIPTS operation 6-2  
 SCSI SDP0/ parity signal bit 5-23  
 SCSI selected as ID bits 5-60  
 SCSI selector ID register 5-19  
 SCSI status one register 5-24  
 SCSI status two register 5-25  
 SCSI status zero register 5-22  
 SCSI synchronous offset maximum bit 5-61  
 SCSI synchronous offset zero bit 5-60  
 SCSI synchronous transfer period bits 5-12  
 SCSI test one register 5-61  
 SCSI test three register 5-63  
 SCSI test two register 5-62  
 SCSI test zero register 5-60  
 SCSI timer one register 5-58  
 SCSI timer zero register 5-57  
 SCSI timings 7-27  
 SCSI transfer register 5-12  
 SCSI true end of process bit 5-31  
 SCSI valid bit 5-19  
 SCTRL/ 4-9  
 SD/[15:0] 4-9  
 SDID register 5-15  
 SDP/ bit 5-23  
 SDP/[1:0] 4-9  
 SDPL bit 5-24  
 SDU bit 5-9  
 SEL bit 5-18, 5-20, 5-48, 5-52  
 SEL bits 5-58  
 select with SATN/ on a start sequence bit 5-4  
 selected bit 5-48, 5-52  
 selection  
   during reselection 2-11  
   during selection 2-11  
   response to 2-11  
 selection or reselection time-out bit 5-50  
   STO bit 5-54  
 selection response logic test bit 5-60  
 selection time-out bits 5-58  
 SEM bit 5-27  
 semaphore bit 5-27  
 SERR/ 4-8  
 SFBR register 5-17  
 SGE bit 5-48, 5-52  
 shadow register test mode bit 5-35  
 SI\_O bit 5-20  
 SI\_O/ status bit 5-20  
 SIDL bit 5-22  
 SIDL least significant byte full bit 5-22  
 SIDL register 5-65  
 SIEN0 register 5-48  
 SIEN1 register 5-50  
 signal process bit 5-27, 5-31  
 SIGP bit 5-27, 5-31  
 single step interrupt bit 5-21, 5-44  
 single-ended operation 2-11  
 single-step mode bit 5-46  
 SIO/ 4-9  
 SIOM bit 5-42  
 SIP bit 5-28  
 SIR bit 5-21, 5-44  
 SISO bit 5-61  
 SIST0 register 5-51  
 SIST1 register 5-53  
 SLB bit 5-62  
 SLPAR register 5-54  
 SLT bit 5-60  
 SMSG/ 4-9  
 SMSG/ status bit 5-20  
 SOCL register 5-18  
 SODL least significant byte full bit 5-23  
 SODL register 5-66  
 SODR least significant byte full bit 5-22  
 software reset bit 5-27  
 SOM bit 5-61  
 source I/O-memory enable bit 5-42  
 SOZ bit 5-60  
 SRE bit 5-11  
 SREQ/ 4-9  
 SREQ/ status bit 5-20  
 SRST bit 5-27  
 SRST/ 4-9  
 SRTM bit 5-35  
 SSAID bits 5-60  
 SSEL/ 4-9  
 SSEL/ status bit 5-20  
 SSI bit 5-21, 5-44  
 SSID register 5-19  
 SSM bit 5-46  
 SST bit 5-8  
 SSTAT0 register 5-22  
 SSTAT1 register 5-24  
 SSTAT2 register 5-25  
 stacked interrupts 2-19  
 START bit 5-4  
 start DMA operation bit 5-46  
 start SCSI transfer bit 5-8  
 start sequence bit 5-4  
 STD bit 5-46  
 STEST0 register 5-60  
 STEST1 register 5-61  
 STEST2 register 5-62  
 STEST3 register 5-63  
 STIME0 register 5-57  
 STIME1 register 5-58  
 STO bit 5-50  
 stop 4-7

Storage Device Management System (SDMS) [2-3](#)  
STR bit [5-64](#)  
STW bit [5-65](#)  
SXFER register [5-12](#)  
synchronous clock conversion factor bits [5-9](#)  
synchronous data transfer rate [2-13](#)  
synchronous operation [2-13](#)  
SZM bit [5-62](#)

## T

target mode  
    SATN/ active [5-51](#)  
target mode bit [5-5](#)  
target ready [4-7](#)  
TE bit [5-63](#)  
TEMP register [5-33](#)  
temporary register [5-33](#)  
TEOP bit [5-31](#)  
termination [2-11](#)  
testability [1-6](#)  
timer test mode bit [5-64](#)  
timing diagrams [7-12](#)  
    PCI interface [7-26](#)  
    SCSI timings [7-27](#)  
timings  
    PCI [7-26](#)  
    SCSI [7-27](#)  
TolerANT [1-2](#)  
    enable bit [5-63](#)  
    extend SREQ/SACK filtering bit [5-63](#)  
totem pole output [4-3](#)  
TP[2:0] bits [5-12](#)  
transfer control instructions [6-27](#)  
    prefetch unit flushing [2-4](#)  
transfer rate [1-3](#)  
    clock conversion factor bits [5-10](#)  
    synchronous [2-13](#)  
    synchronous clock conversion factor bits [5-9](#)  
TRDY/ [4-7](#)  
TRG bit [5-5](#)  
TTM bit [5-64](#)  
TYP[3:0] bits [5-55](#)

## U

UDC bit [5-49](#), [5-52](#)  
unexpected disconnect bit [5-49](#), [5-52](#)

## V

VAL bit [5-19](#)  
VDD [4-3](#)  
VDD-C [4-3](#)  
VSS [4-3](#)  
VSS-C [4-3](#)  
VSS-S [4-3](#)

## W

WATN bit [5-4](#)  
WOA bit [5-23](#)  
won arbitration bit [5-23](#)

## Z

ZMOD bit [5-35](#)  
ZSD bit [5-35](#)

# Customer Feedback

---

We would appreciate your feedback on this document. Please copy the following page, add your comments, and fax it to us at the number shown.

If appropriate, please also fax copies of any marked-up pages from this document.

Important: Please include your name, phone number, fax number, and company address so that we may contact you directly for clarification or additional information.

Thank you for your help in improving the quality of our documents.

---

## Reader's Comments

Fax your comments to: LSI Logic Corporation  
Technical Publications  
M/S E-198  
Fax: 408.433.4333

Please tell us how you rate this document: *LSI53C810A PCI to SCSI I/O Processor Technical Manual*. Place a check mark in the appropriate blank for each category.

	Excellent	Good	Average	Fair	Poor
Completeness of information	_____	_____	_____	_____	_____
Clarity of information	_____	_____	_____	_____	_____
Ease of finding information	_____	_____	_____	_____	_____
Technical content	_____	_____	_____	_____	_____
Usefulness of examples and illustrations	_____	_____	_____	_____	_____
Overall manual	_____	_____	_____	_____	_____

What could we do to improve this document?

\_\_\_\_\_

\_\_\_\_\_

\_\_\_\_\_

\_\_\_\_\_

If you found errors in this document, please specify the error and page number. If appropriate, please fax a marked-up copy of the page(s).

\_\_\_\_\_

\_\_\_\_\_

\_\_\_\_\_

Please complete the information below so that we may contact you directly for clarification or additional information.

Name \_\_\_\_\_ Date \_\_\_\_\_

Telephone \_\_\_\_\_ Fax \_\_\_\_\_

Title \_\_\_\_\_

Department \_\_\_\_\_ Mail Stop \_\_\_\_\_

Company Name \_\_\_\_\_

Street \_\_\_\_\_

City, State, Zip \_\_\_\_\_



# U.S. Distributors by State

A. E. Avnet Electronics  
<http://www.hh.avnet.com>  
B. M. Bell Microproducts,  
Inc. (for HAB's)  
<http://www.bellmicro.com>  
I. E. Insight Electronics  
<http://www.insight-electronics.com>  
W. E. Wyle Electronics  
<http://www.wyle.com>

## Alabama

Daphne  
I. E. Tel: 334.626.6190  
Huntsville  
A. E. Tel: 256.837.8700  
I. E. Tel: 256.830.1222  
W. E. Tel: 800.964.9953

## Alaska

A. E. Tel: 800.332.8638

## Arkansas

W. E. Tel: 972.235.9953

## Arizona

Phoenix  
A. E. Tel: 480.736.7000  
B. M. Tel: 602.267.9551  
W. E. Tel: 800.528.4040  
Tempe  
I. E. Tel: 480.829.1800  
Tucson  
A. E. Tel: 520.742.0515

## California

Agoura Hills  
B. M. Tel: 818.865.0266  
Irvine  
A. E. Tel: 949.789.4100  
B. M. Tel: 949.470.2900  
I. E. Tel: 949.727.3291  
W. E. Tel: 800.626.9953  
Los Angeles  
A. E. Tel: 818.594.0404  
W. E. Tel: 800.288.9953  
Sacramento  
A. E. Tel: 916.632.4500  
W. E. Tel: 800.627.9953  
San Diego  
A. E. Tel: 858.385.7500  
B. M. Tel: 858.597.3010  
I. E. Tel: 800.677.6011  
W. E. Tel: 800.829.9953  
San Jose  
A. E. Tel: 408.435.3500  
B. M. Tel: 408.436.0881  
I. E. Tel: 408.952.7000  
Santa Clara  
W. E. Tel: 800.866.9953  
Woodland Hills  
A. E. Tel: 818.594.0404  
Westlake Village  
I. E. Tel: 818.707.2101

## Colorado

Denver  
A. E. Tel: 303.790.1662  
B. M. Tel: 303.846.3065  
W. E. Tel: 800.933.9953  
Englewood  
I. E. Tel: 303.649.1800

## Connecticut

Cheshire  
A. E. Tel: 203.271.5700  
I. E. Tel: 203.272.5843  
Wallingford  
W. E. Tel: 800.605.9953

## Delaware

North/South  
A. E. Tel: 800.526.4812  
Tel: 800.638.5988  
B. M. Tel: 302.328.8968  
W. E. Tel: 856.439.9110

## Florida

Altamonte Springs  
B. M. Tel: 407.682.1199  
I. E. Tel: 407.834.6310  
Boca Raton  
I. E. Tel: 561.997.2540  
Clearwater  
I. E. Tel: 727.524.8850  
Fort Lauderdale  
A. E. Tel: 954.484.5482  
W. E. Tel: 800.568.9953  
Miami  
B. M. Tel: 305.477.6406  
Orlando  
A. E. Tel: 407.657.3300  
W. E. Tel: 407.740.7450  
Tampa  
W. E. Tel: 800.395.9953  
St. Petersburg  
A. E. Tel: 727.507.5000

## Georgia

Atlanta  
A. E. Tel: 770.623.4400  
B. M. Tel: 770.980.4922  
W. E. Tel: 800.876.9953  
Duluth  
I. E. Tel: 678.584.0812

## Hawaii

A. E. Tel: 800.851.2282

## Idaho

A. E. Tel: 801.365.3800  
W. E. Tel: 801.974.9953

## Illinois

North/South  
A. E. Tel: 847.797.7300  
Tel: 314.291.5350  
Chicago  
B. M. Tel: 847.413.8530  
W. E. Tel: 800.853.9953  
Schaumburg  
I. E. Tel: 847.885.9700

## Indiana

Fort Wayne  
I. E. Tel: 219.436.4250  
W. E. Tel: 888.358.9953  
Indianapolis  
A. E. Tel: 317.575.3500

## Iowa

W. E. Tel: 612.853.2280  
Cedar Rapids  
A. E. Tel: 319.393.0033

## Kansas

W. E. Tel: 303.457.9953  
Kansas City  
A. E. Tel: 913.663.7900  
Lenexa  
I. E. Tel: 913.492.0408

## Kentucky

W. E. Tel: 937.436.9953  
Central/Northern/ Western  
A. E. Tel: 800.984.9503  
Tel: 800.767.0329  
Tel: 800.829.0146

## Louisiana

W. E. Tel: 713.854.9953  
North/South  
A. E. Tel: 800.231.0253  
Tel: 800.231.5575

## Maine

A. E. Tel: 800.272.9255  
W. E. Tel: 781.271.9953

## Maryland

Baltimore  
A. E. Tel: 410.720.3400  
W. E. Tel: 800.863.9953  
Columbia  
B. M. Tel: 800.673.7461  
I. E. Tel: 410.381.3131

## Massachusetts

Boston  
A. E. Tel: 978.532.9808  
W. E. Tel: 800.444.9953  
Burlington  
I. E. Tel: 781.270.9400  
Marlborough  
B. M. Tel: 508.480.9099  
Woburn  
B. M. Tel: 781.933.9010

## Michigan

Brighton  
I. E. Tel: 810.229.7710  
Detroit  
A. E. Tel: 734.416.5800  
W. E. Tel: 888.318.9953

## Minnesota

Champlin  
B. M. Tel: 800.557.2566  
Eden Prairie  
B. M. Tel: 800.255.1469  
Minneapolis  
A. E. Tel: 612.346.3000  
W. E. Tel: 800.860.9953  
St. Louis Park  
I. E. Tel: 612.525.9999

## Mississippi

A. E. Tel: 800.633.2918  
W. E. Tel: 800.860.1119

## Missouri

W. E. Tel: 630.620.0969  
St. Louis  
A. E. Tel: 314.291.5350  
I. E. Tel: 314.872.2182

## Montana

A. E. Tel: 800.526.1741  
W. E. Tel: 801.974.9953

## Nebraska

A. E. Tel: 800.332.4375  
W. E. Tel: 303.457.9953

## Nevada

Las Vegas  
A. E. Tel: 800.528.8471  
W. E. Tel: 702.765.7117

## New Hampshire

A. E. Tel: 800.272.9255  
W. E. Tel: 781.271.9953

## New Jersey

North/South  
A. E. Tel: 201.515.1641  
Tel: 609.222.6400  
Mt. Laurel  
I. E. Tel: 609.222.9566  
Pine Brook  
W. E. Tel: 800.862.9953  
Parsippany  
I. E. Tel: 973.299.4425  
Wayne  
W. E. Tel: 973.237.9010

## New Mexico

W. E. Tel: 480.804.7000  
Albuquerque  
A. E. Tel: 505.293.5119

# U.S. Distributors by State (Continued)

---

## New York

Hauppauge  
I. E. Tel: 516.761.0960  
Long Island  
A. E. Tel: 516.434.7400  
W. E. Tel: 800.861.9953  
Rochester  
A. E. Tel: 716.475.9130  
I. E. Tel: 716.242.7790  
W. E. Tel: 800.319.9953  
Smithtown  
B. M. Tel: 800.543.2008  
Syracuse  
A. E. Tel: 315.449.4927

## North Carolina

Raleigh  
A. E. Tel: 919.859.9159  
I. E. Tel: 919.873.9922  
W. E. Tel: 800.560.9953

## North Dakota

A. E. Tel: 800.829.0116  
W. E. Tel: 612.853.2280

## Ohio

Cleveland  
A. E. Tel: 216.498.1100  
W. E. Tel: 800.763.9953  
Dayton  
A. E. Tel: 614.888.3313  
I. E. Tel: 937.253.7501  
W. E. Tel: 800.575.9953  
Strongsville  
B. M. Tel: 440.238.0404  
Valley View  
I. E. Tel: 216.520.4333

## Oklahoma

W. E. Tel: 972.235.9953  
Tulsa  
A. E. Tel: 918.459.6000  
I. E. Tel: 918.665.4664

## Oregon

Beaverton  
B. M. Tel: 503.524.0787  
I. E. Tel: 503.644.3300  
Portland  
A. E. Tel: 503.526.6200  
W. E. Tel: 800.879.9953

## Pennsylvania

Mercer  
I. E. Tel: 412.662.2707  
Pittsburgh  
A. E. Tel: 412.281.4150  
W. E. Tel: 440.248.9996  
Philadelphia  
A. E. Tel: 800.526.4812  
B. M. Tel: 215.741.4080  
W. E. Tel: 800.871.9953

## Rhode Island

A. E. 800.272.9255  
W. E. Tel: 781.271.9953

## South Carolina

A. E. Tel: 919.872.0712  
W. E. Tel: 919.469.1502

## South Dakota

A. E. Tel: 800.829.0116  
W. E. Tel: 612.853.2280

## Tennessee

W. E. Tel: 256.830.1119  
East/West  
A. E. Tel: 800.241.8182  
Tel: 800.633.2918

## Texas

Austin  
A. E. Tel: 512.219.3700  
B. M. Tel: 512.258.0725  
I. E. Tel: 512.719.3090  
W. E. Tel: 800.365.9953  
Dallas  
A. E. Tel: 214.553.4300  
B. M. Tel: 972.783.4191  
W. E. Tel: 800.955.9953  
El Paso  
A. E. Tel: 800.526.9238  
Houston  
A. E. Tel: 713.781.6100  
B. M. Tel: 713.917.0663  
W. E. Tel: 800.888.9953  
Richardson  
I. E. Tel: 972.783.0800  
Rio Grande Valley  
A. E. Tel: 210.412.2047  
Stafford  
I. E. Tel: 281.277.8200

## Utah

Centerville  
B. M. Tel: 801.295.3900  
Murray  
I. E. Tel: 801.288.9001  
Salt Lake City  
A. E. Tel: 801.365.3800  
W. E. Tel: 800.477.9953

## Vermont

A. E. Tel: 800.272.9255  
W. E. Tel: 716.334.5970

## Virginia

A. E. Tel: 800.638.5988  
W. E. Tel: 301.604.8488

## Washington

Kirkland  
I. E. Tel: 425.820.8100  
Seattle  
A. E. Tel: 425.882.7000  
W. E. Tel: 800.248.9953

## West Virginia

A. E. Tel: 800.638.5988

## Wisconsin

Milwaukee  
A. E. Tel: 414.513.1500  
W. E. Tel: 800.867.9953  
Wauwatosa  
I. E. Tel: 414.258.5338

## Wyoming

A. E. Tel: 800.332.9326  
W. E. Tel: 801.974.9953

# Direct Sales Representatives by State (Component and Boards)

---

E. A. Earle Associates  
E. L. Electrodyne - UT  
GRP Group 2000  
I. S. Infinity Sales, Inc.  
ION ION Associates, Inc.  
R. A. Rathsburg Associates, Inc.  
SGY Synergy Associates, Inc.

## Arizona

Tempe  
E. A. Tel: 480.921.3305

## California

Calabasas  
I. S. Tel: 818.880.6480  
Irvine  
I. S. Tel: 714.833.0300  
San Diego  
E. A. Tel: 619.278.5441

## Illinois

Elmhurst  
R. A. Tel: 630.516.8400

## Indiana

Cicero  
R. A. Tel: 317.984.8608  
Ligonier  
R. A. Tel: 219.894.3184  
Plainfield  
R. A. Tel: 317.838.0360

## Massachusetts

Burlington  
SGY Tel: 781.238.0870

## Michigan

Byron Center  
R. A. Tel: 616.554.1460  
Good Rich  
R. A. Tel: 810.636.6060  
Novi  
R. A. Tel: 810.615.4000

## North Carolina

Cary  
GRP Tel: 919.481.1530

## Ohio

Columbus  
R. A. Tel: 614.457.2242  
Dayton  
R. A. Tel: 513.291.4001  
Independence  
R. A. Tel: 216.447.8825

## Pennsylvania

Somerset  
R. A. Tel: 814.445.6976

## Texas

Austin  
ION Tel: 512.794.9006  
Arlington  
ION Tel: 817.695.8000  
Houston  
ION Tel: 281.376.2000

## Utah

Salt Lake City  
E. L. Tel: 801.264.8050

## Wisconsin

Muskego  
R. A. Tel: 414.679.8250  
Saukville  
R. A. Tel: 414.268.1152

# Sales Offices and Design Resource Centers

---

**LSI Logic Corporation**  
**Corporate Headquarters**  
Tel: 408.433.8000  
Fax: 408.433.8989

## NORTH AMERICA

**California**  
Costa Mesa - Mint Technology  
Tel: 949.752.6468  
Fax: 949.752.6868

Irvine  
◆ Tel: 949.809.4600  
Fax: 949.809.4444

Pleasanton Design Center  
Tel: 925.730.8800  
Fax: 925.730.8700

San Diego  
Tel: 858.467.6981  
Fax: 858.496.0548

Silicon Valley  
◆ Tel: 408.433.8000  
Fax: 408.954.3353

Wireless Design Center  
Tel: 858.350.5560  
Fax: 858.350.0171

**Colorado**  
Boulder  
◆ Tel: 303.447.3800  
Fax: 303.541.0641

Colorado Springs  
Tel: 719.533.7000  
Fax: 719.533.7020

Fort Collins  
Tel: 970.223.5100  
Fax: 970.206.5549

**Florida**  
Boca Raton  
Tel: 561.989.3236  
Fax: 561.989.3237

**Georgia**  
Alpharetta  
Tel: 770.753.6146  
Fax: 770.753.6147

**Illinois**  
Oakbrook Terrace  
Tel: 630.954.2234  
Fax: 630.954.2235

**Kentucky**  
Bowling Green  
Tel: 270.793.0010  
Fax: 270.793.0040

**Maryland**  
Bethesda  
Tel: 301.897.5800  
Fax: 301.897.8389

**Massachusetts**  
Waltham  
◆ Tel: 781.890.0180  
Fax: 781.890.6158

Burlington - Mint Technology  
Tel: 781.685.3800  
Fax: 781.685.3801

**Minnesota**  
Minneapolis  
◆ Tel: 612.921.8300  
Fax: 612.921.8399

**New Jersey**  
Red Bank  
Tel: 732.933.2656  
Fax: 732.933.2643

Cherry Hill - Mint Technology  
Tel: 609.489.5530  
Fax: 609.489.5531

**New York**  
Fairport  
Tel: 716.218.0020  
Fax: 716.218.9010

**North Carolina**  
Raleigh  
Tel: 919.785.4520  
Fax: 919.783.8909

**Oregon**  
Beaverton  
Tel: 503.645.0589  
Fax: 503.645.6612

**Texas**  
Austin  
Tel: 512.388.7294  
Fax: 512.388.4171

Plano  
◆ Tel: 972.244.5000  
Fax: 972.244.5001

Houston  
Tel: 281.379.7800  
Fax: 281.379.7818

**Canada**  
**Ontario**  
Ottawa  
◆ Tel: 613.592.1263  
Fax: 613.592.3253

## INTERNATIONAL

**France**  
Paris  
**LSI Logic S.A.**  
**Immeuble Europa**  
◆ Tel: 33.1.34.63.13.13  
Fax: 33.1.34.63.13.19

**Germany**  
Munich  
◆ **LSI Logic GmbH**  
Tel: 49.89.4.58.33.0  
Fax: 49.89.4.58.33.108

Stuttgart  
Tel: 49.711.13.96.90  
Fax: 49.711.86.61.428

**Italy**  
Milano  
**LSI Logic S.P.A.**  
◆ Tel: 39.039.687371  
Fax: 39.039.6057867

**Japan**  
Tokyo  
**LSI Logic K.K.**  
◆ Tel: 81.3.5463.7821  
Fax: 81.3.5463.7820

Osaka  
◆ Tel: 81.6.947.5281  
Fax: 81.6.947.5287

**Korea**  
Seoul  
**LSI Logic Corporation of Korea Ltd**  
Tel: 82.2.528.3400  
Fax: 82.2.528.2250

**The Netherlands**  
Eindhoven  
**LSI Logic Europe Ltd**  
Tel: 31.40.265.3580  
Fax: 31.40.296.2109

**Singapore**  
Singapore  
**LSI Logic Pte Ltd**  
Tel: 65.334.9061  
Fax: 65.334.4749

Tel: 65.835.5040  
Fax: 65.732.5047

**Sweden**  
Stockholm  
**LSI Logic AB**  
◆ Tel: 46.8.444.15.00  
Fax: 46.8.750.66.47

**Taiwan**  
Taipei  
**LSI Logic Asia, Inc.**  
**Taiwan Branch**  
Tel: 886.2.2718.7828  
Fax: 886.2.2718.8869

**United Kingdom**  
Bracknell  
◆ **LSI Logic Europe Ltd**  
Tel: 44.1344.426544  
Fax: 44.1344.481039

◆ Sales Offices with  
Design Resource Centers

# International Distributors

---

## Australia

New South Wales  
◆ **Reptechnic Pty Ltd**  
Tel: 612.9953.9844  
Fax: 612.9953.9683

## Belgium

**Acal nv/sa**  
Tel: 32.2.7205983  
Fax: 32.2.7251014

## China

Beijing  
**LSI Logic International Services Inc.**  
Tel: 86.10.6804.2534  
Fax: 86.10.6804.2521

## France

Rungis Cedex  
**Azzurri Technology France**  
Tel: 33.1.41806310  
Fax: 33.1.41730340

## Germany

Haar  
**EBV Elektronik**  
Tel: 49.89.4600980  
Fax: 49.89.46009840

## Munich

**Avnet Emg GmbH**  
Tel: 49.89.45110102  
Fax: 49.89.42.27.75

## Wuennenberg-Haaren

**Peacock AG**  
Tel: 49.2957.79.1692  
Fax: 49.2957.79.9341

## Hong Kong

Hong Kong  
**AVT Industrial Ltd**  
Tel: 852.2428.0008  
Fax: 852.2401.2105

## EastEle

Tel: 852.2798.8860  
Fax: 852.2305.0640

## India

Bangalore  
**Spike Technologies India Private Ltd**  
◆ Tel: 91.80.664.5530  
Fax: 91.80.664.9748

## Israel

Tel Aviv  
**Eastronics Ltd**  
Tel: 972.3.6458777  
Fax: 972.3.6458666

## Japan

Tokyo  
**Global Electronics Corporation**  
Tel: 81.3.3260.1411  
Fax: 81.3.3260.7100  
Technical Center  
Tel: 81.471.43.8200

## Yokohama-City

**Macnica Corporation**  
Tel: 81.45.939.6140  
Fax: 81.45.939.6141

## The Netherlands

Eindhoven  
**Acal Nederland b.v.**  
Tel: 31.40.2.502602  
Fax: 31.40.2.510255

## Switzerland

Brugg  
**LSI Logic Sulzer AG**  
Tel: 41.32.3743232  
Fax: 41.32.3743233

## Taiwan

Taipei  
**Avnet-Mercuries Corporation, Ltd**  
Tel: 886.2.2516.7303  
Fax: 886.2.2505.7391

## Lumax International Corporation, Ltd

Tel: 886.2.2788.3656  
Fax: 886.2.2788.3568

## Prospect Technology Corporation, Ltd

Tel: 886.2.2721.9533  
Fax: 886.2.2773.3756

## Serial Semiconductor Corporation, Ltd

Tel: 886.2.2579.5858  
Fax: 886.2.2570.3123

## United Kingdom

M Maidenhead  
**Azzurri Technology Ltd**  
Tel: 44.1628.826826  
Fax: 44.1628.829730

## Swindon

**EBV Elektronik**  
Tel: 44.1793.849933  
Fax: 44.1793.859555

◆ Sales Offices with Design Resource Centers



## Free Manuals Download Website

<http://myh66.com>

<http://usermanuals.us>

<http://www.somanuals.com>

<http://www.4manuals.cc>

<http://www.manual-lib.com>

<http://www.404manual.com>

<http://www.luxmanual.com>

<http://aubethermostatmanual.com>

Golf course search by state

<http://golfingnear.com>

Email search by domain

<http://emailbydomain.com>

Auto manuals search

<http://auto.somanuals.com>

TV manuals search

<http://tv.somanuals.com>