

USER'S GUIDE

LSI60800 PCI to USB Host Adapter

Version 1.1

November 2000

LSI LOGIC®



Electromagnetic Compatibility Notices

This device complies with Part 15 of the FCC Rules. Operation is subject to the following two conditions:

1. This device may not cause harmful interference, and
2. This device must accept any interference received, including interference that may cause undesired operation.

This equipment has been tested and found to comply with the limits for a Class B digital device, pursuant to part 15 of the FCC Rules. These limits are designed to provide reasonable protection against harmful interference in a residential installation. This equipment generates, uses, and can radiate radio frequency energy and, if not installed and used in accordance with the instructions, may cause harmful interference to radio communications. However, there is no guarantee that interference will not occur in a particular installation. If this equipment does cause harmful interference to radio or television reception, which can be determined by turning the equipment off and on, the user is encouraged to try to correct the interference by one or more of the following measures:

- Reorient or relocate the receiving antenna.
- Increase the separation between the equipment and the receiver.
- Connect the equipment into an outlet on a circuit different from that to which the receiver is connected.
- Consult the dealer or an experienced radio/TV technician for help.

Shielded cables for SCSI connection external to the cabinet are used in the compliance testing of this Product. LSI Logic is not responsible for any radio or television interference caused by unauthorized modification of this equipment or the substitution or attachment of connecting cables and equipment other than those specified by LSI Logic. The correction of interferences caused by such unauthorized modification, substitution, or attachment will be the responsibility of the user.

The LSI Logic LSI60800 is tested to comply with FCC standards for home or office use.

This Class B digital apparatus meets all requirements of the Canadian Interference-Causing Equipment Regulations.

Cet appareil numérique de la classe B respecte toutes les exigences du Règlement sur le matériel brouilleur du Canada.

この装置は、情報処理装置等電波障害自主規制協議会（VCCI）の基準に基づくクラス B 情報技術装置です。この装置は、家庭環境で使用することを目的としていますが、この装置がラジオやテレビジョン受信機に近接して使用されると、受信障害を引き起こすことがあります。
取扱説明書に従って正しい取り扱いをして下さい。

This is a Class B product based on the standard of the Voluntary Control Council for Interference from Information Technology Equipment (VCCI). If this is used near a radio or television receiver in a domestic environment, it may cause radio interference. Install and use the equipment according to the instruction manual.

LSI Logic Corporation
North American Headquarters
Milpitas, CA
408.433.8000

LSI60800 PCI to USB Host Adapter User's Guide



Version 1.1

1 What is Covered in This Guide

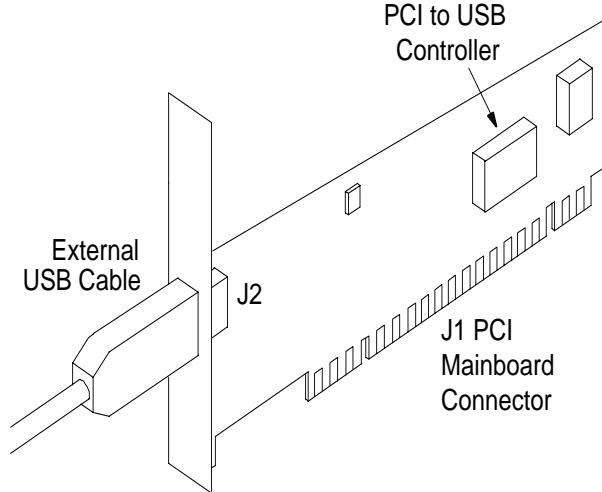
This User's Guide provides instructions and illustrations to help you install a LSI Logic LSI60800 PCI to USB Host Adapter. It covers the following topics:

- Ensuring USB support is available in Windows 98
- Installing the LSI60800 Board
- Installing the LSI60800 software
- Connecting USB devices

The LSI60800 provides a low-cost USB solution for attaching USB devices (digital video cameras, digital audio speakers, page scanners, photo scanners, photo printers, etc.) to PCI computer systems. Figure 1 shows the major components and connections of the LSI60800 Board.

The LSI Logic LSI60800 is based on the industry standard OpenHCI specification. Therefore, no vendor-specific driver is needed. It is supported by Microsoft in Windows 98, and the upcoming Windows NT 5.0.

Figure 1 LSI60800 Board



2 Hardware Installation

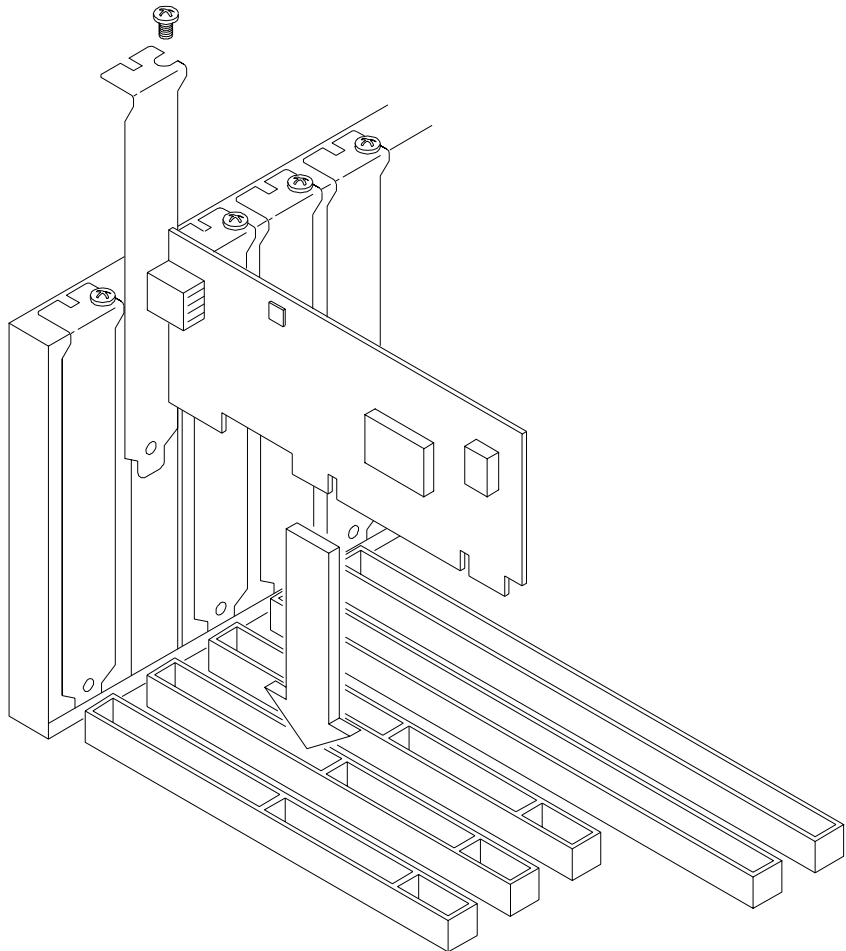
Before you begin the board installation, switch off the power to the computer and any peripheral devices and disconnect all power cords.

Important: Before handling the LSI60800 board, ground yourself using a ground strap attached to the computer metal frame. Static charges on your body can damage electronic components. Handle plug-in boards by the edge; do not touch board components or gold connector contacts.

1. Remove the cover on your computer to access the PCI slots. Refer to your computer documentation if necessary.
2. Locate an unused PCI expansion slot for installing the LSI60800 Board. Refer to your computer documentation if necessary to locate the expansion slots.
3. Remove the blank bracket panel on the back of the computer that covers the slot you intend to use. Save the bracket screw.

4. Remove the LSI60800 Board from the antistatic bag and insert the edge connector into the PCI slot, as pictured in Figure 2. Make sure the edge connector is properly aligned before pressing the board into place. Apply even pressure to both ends of the board while inserting it.
5. Visually check to make sure the LSI60800 Board is properly seated, and is all the way down in the PCI slot.
6. Screw the bracket down with the screw from step 3.

Figure 2 **Inserting the LSI60800 Board**



3 LSI60800 Software Installation

The LSI60800 Host Adapter is supported by Microsoft embedded drivers for Windows 98.

After installing the LSI60800 Board, restart the computer.

A sequence of windows will appear briefly one after the other.

First the New Hardware Found window will appear.

Then the next window will indicate that the LSI Logic LSI61C102 USB Host Controller is the device that was found.

Then a window will indicate that the Controller is an unknown device.

Then the New Hardware Found Root Hub window will be displayed.

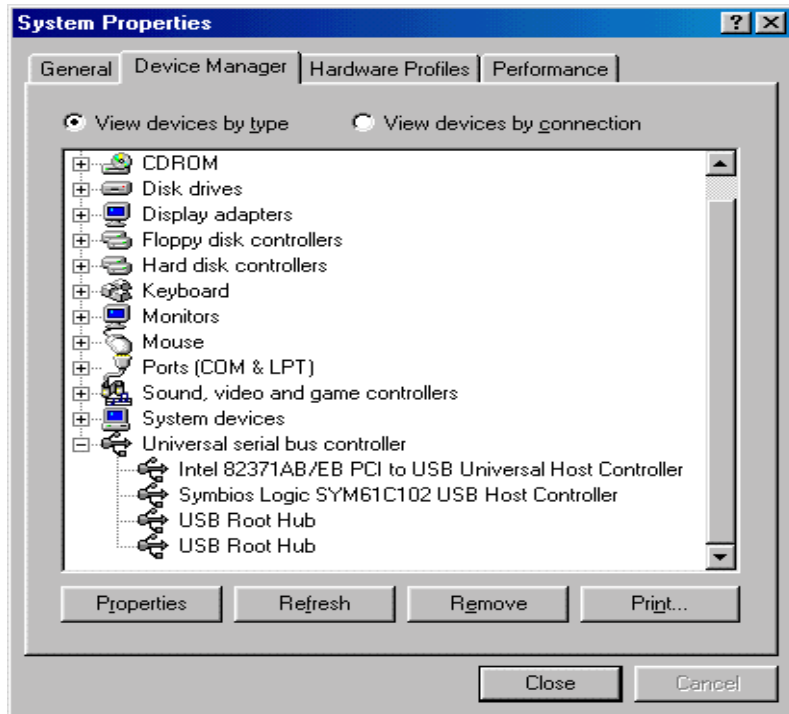
The System Properties window will be the last window to be displayed and will remain on screen.

3.1 Verifying the Installation

To check for correct installation, open the Device Manager using the following procedure, and verify that the LSI60800 PCI to USB Host Adapter is working correctly.

1. From the Windows 98 Start menu, select Settings, then Control Panel.
2. From the Control Panel window, double-click the System icon. The System Properties menu displays.
3. Select the Device Manager tab.
4. Click on the "+" box next to "Universal Serial Bus Controller". Figure 3 shows a properly installed USB card.

Figure 3 System Properties Window - Device Manager Tab



5. Click on Close.

4 Connect the USB Devices

1. Load the USB device driver supplied by the USB device manufacturer following the procedure provided with the USB device.
2. Plug in the USB device using the correct cable (see below). There is no need to turn off the computer power. The USB devices can be hot-plugged.
3. The device driver should load automatically without any user interaction.

4.1 Cabling

The LSI60800 PCI to USB Host Adapter supports type A cable connectors only.

The USB specification provides for two types of cables. For full-speed devices like scanners, cameras, printers, and speakers, a full-speed cable must be used. For low-speed devices like keyboards, mice, joysticks, and other game devices, a sub-channel or low-speed cable can be used.

4.2 Hubs

The USB specification supports two types of hubs; cable-powered and self-powered. A self-powered hub can support all USB devices, independent of the USB device power requirements. A cable-powered hub can support only devices which use 100 mA or less. Also, a hub must be connected using only a high-speed cable.

Notes

Notes

Headquarters

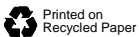
LSI Logic Corporation
North American Headquarters
Milpitas CA
Tel: 408.433.8000
Fax: 408.433.8989

LSI Logic Europe Ltd
European Headquarters
Bracknell England
Tel: 44.1344.426544
Fax: 44.1344.481039

LSI Logic K.K.
Headquarters
Tokyo Japan
Tel: 81.3.5463.7821
Fax: 81.3.5463.7820

To receive product literature, visit us at <http://www.lsillogic.com>

ISO 9000 Certified



Printed on
Recycled Paper

Printed in USA
Order No. S14000.A
Doc. No. DB15-000094-01

The LSI Logic logo design is a registered trademark of LSI Logic Corporation. All other brand and product names may be trademarks of their respective companies.

LSI Logic Corporation reserves the right to make changes to any products and services herein at any time without notice. LSI Logic does not assume any responsibility or liability arising out of the application or use of any product or service described herein, except as expressly agreed to in writing by LSI Logic; nor does the purchase, lease, or use of a product or service from LSI Logic convey a license under any patent rights, copyrights, trademark rights, or any other of the intellectual property rights of LSI Logic or of third parties.

Free Manuals Download Website

<http://myh66.com>

<http://usermanuals.us>

<http://www.somanuals.com>

<http://www.4manuals.cc>

<http://www.manual-lib.com>

<http://www.404manual.com>

<http://www.luxmanual.com>

<http://aubethermostatmanual.com>

Golf course search by state

<http://golfingnear.com>

Email search by domain

<http://emailbydomain.com>

Auto manuals search

<http://auto.somanuals.com>

TV manuals search

<http://tv.somanuals.com>