

# Symbios<sup>®</sup> SYM20810 PCI to SCSI Host Adapter

## User's Guide

*Version 1.1*



Order Number S14037



## Electromagnetic Compatibility Notices

This device complies with Part 15 of the FCC Rules. Operation is subject to the following two conditions:

1. This device may not cause harmful interference, and
2. This device must accept any interference received, including interference that may cause undesired operation.

This equipment has been tested and found to comply with the limits for a Class B digital device, pursuant to part 15 of the FCC Rules. These limits are designed to provide reasonable protection against harmful interference in a residential installation. This equipment generates, uses, and can radiate radio frequency energy and, if not installed and used in accordance with the instructions, may cause harmful interference to radio communications. However, there is no guarantee that interference will not occur in a particular installation. If this equipment does cause harmful interference to radio or television reception, which can be determined by turning the equipment off and on, the user is encouraged to try to correct the interference by one or more of the following measures:

- Reorient or relocate the receiving antenna.
- Increase the separation between the equipment and the receiver.
- Connect the equipment into an outlet on a circuit different from that to which the receiver is connected.
- Consult the dealer or an experienced radio/TV technician for help.

Shielded cables for SCSI connection external to the cabinet are used in the compliance testing of this Product. LSI Logic is not responsible for any radio or television interference caused by unauthorized modification of this equipment or the substitution or attachment of connecting cables and equipment other than those specified by LSI Logic. The correction of interferences caused by such unauthorized modification, substitution, or attachment will be the responsibility of the user.

The LSI Logic Symbios<sup>®</sup> SYM20810 is tested to comply with FCC standards for home or office use.

This Class B digital apparatus meets all requirements of the Canadian Interference-Causing Equipment Regulations.

Cet appareil numérique de la classe B respecte toutes les exigences du Règlement sur le matériel brouilleur du Canada.

この装置は、情報処理装置等電波障害自主規制協議会（VCCI）の基準に基づくクラス B 情報技術装置です。この装置は、家庭環境で使用することを目的としていますが、この装置がラジオやテレビジョン受信機に近接して使用されると、受信障害を引き起こすことがあります。  
取扱説明書に従って正しい取り扱いをして下さい。

This is a Class B product based on the standard of the Voluntary Control Council for Interference from Information Technology Equipment (VCCI). If this is used near a radio or television receiver in a domestic environment, it may cause radio interference. Install and use the equipment according to the instruction manual.

LSI Logic Corporation  
North American Headquarters  
Milpitas, CA  
408.433.8000

---

This document contains proprietary information of LSI Logic Corporation. The information contained herein is not to be used by or disclosed to third parties without the express written permission of an officer of LSI Logic Corporation.

LSI Logic products are not intended for use in life-support appliances, devices, or systems. Use of any LSI Logic product in such applications without written consent of the appropriate LSI Logic officer is prohibited.

Document DB15-000134-00, Second Edition (December 1999)

This document describes Version 1.1 of LSI Logic Corporation's SYM20810 PCI to SCSI Host Adapter and will remain the official reference source for all revisions/releases of this product until rescinded by an update.

**To receive product literature, visit us at <http://www.lsillogic.com>**

LSI Logic Corporation reserves the right to make changes to any products herein at any time without notice. LSI Logic does not assume any responsibility or liability arising out of the application or use of any product described herein, except as expressly agreed to in writing by LSI Logic; nor does the purchase or use of a product from LSI Logic convey a license under any patent rights, copyrights, trademark rights, or any other of the intellectual property rights of LSI Logic or third parties.

Copyright © 1997–1999 by LSI Logic Corporation. All rights reserved.

#### TRADEMARK ACKNOWLEDGMENT

LSI Logic logo design and Symbios are registered trademarks and SDMS is a trademark of LSI Logic Corporation.

SR



# Contents

---

## Preface

---

<b>Chapter 1</b>	<b>What is Covered in this Guide</b>	
1.1	Installation	1-3
1.2	Connecting Internal SCSI Devices	1-5
1.2.1	Completing the Installation	1-7
1.2.2	Connecting External SCSI Devices	1-7
1.2.3	SCSI Bus Termination	1-9
1.2.4	Setting SCSI IDs	1-11
1.3	Installing the Host Adapter Device Driver Software	1-12
1.3.1	DOS/Windows	1-12
1.3.2	Windows 95/Windows NT	1-12
1.3.3	OS/2	1-13
1.4	Troubleshooting	1-14

---

## Customer Feedback

---

<b>Figures</b>		
1.1	SYM20810 Board Outline	1-2
1.2	Inserting the Host Adapter	1-4
1.3	Internal SCSI Devices Chained Together	1-6
1.4	Multiple External Devices Chained Together	1-8
1.5	SCSI Bus Termination	1-10



# Preface

---

This book is the primary reference and User's Guide for the LSI Logic Symbios<sup>®</sup> SYM20810 PCI to SCSI Host Adapter. It contains a complete functional description for the SYM20810 and includes complete physical and electrical specifications for the SYM20810.

---

## Audience

This document assumes that you have some familiarity with microprocessors and related support devices. The people who benefit from this book are:

- Engineers and managers who are evaluating the processor for possible use in a system
  - Engineers who are designing the processor into a system
- 

## Related Publications

*Symbios<sup>®</sup> PCI SCSI Device Management System SDMS 4.0 User's Guide*, LSI Logic Corporation, Order Number S14007

---

## Revision Record

Revision	Date	Remarks
1.0	9/97	First official release.
1.1	12/99	Miscellaneous cosmetic/format changes from Symbios to LSI Logic.





# Chapter 1

## What is Covered in this Guide

---

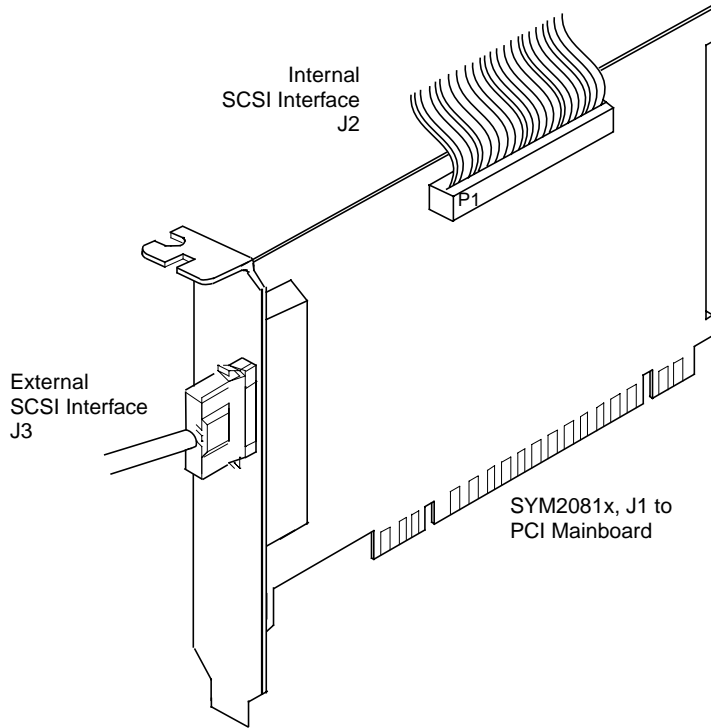
This installation guide provides instructions and illustrations to help you install a Symbios<sup>®</sup> SYM20810 PCI to SCSI host adapter. It covers the following topics:

- Section 1.1, “Installation”
- Section 1.2, “Connecting Internal SCSI Devices”
- Section 1.3, “Installing the Host Adapter Device Driver Software”
- Section 1.4, “Troubleshooting”

The SYM20810 provides a low-cost SCSI solution for attaching SCSI devices (disk drives, scanners, CD-ROM drives, tape drives, removable media drives, etc.) to PCI computer systems with an ISA/EISA bracket type. Figure 1.1 shows the major components and connections of the SYM20810 host adapter.

The Symbios SCSI Device Management System (SDMS<sup>™</sup>) software includes drivers and utilities for operating this host adapter in computers running DOS/Windows, Windows 95, Windows NT, and OS/2.

**Figure 1.1 SYM20810 Board Outline**



---

## 1.1 Installation

Step 1. Before you begin the installation, switch off the power to the computer and any peripheral devices and disconnect all power cords.

**Caution:** Before handling the SYM20810 board, ground yourself using a ground strap attached to the computer metal frame. Static charges on your body can damage electronic components. Handle plug-in boards by the edge; do not touch board components or gold connector contacts.

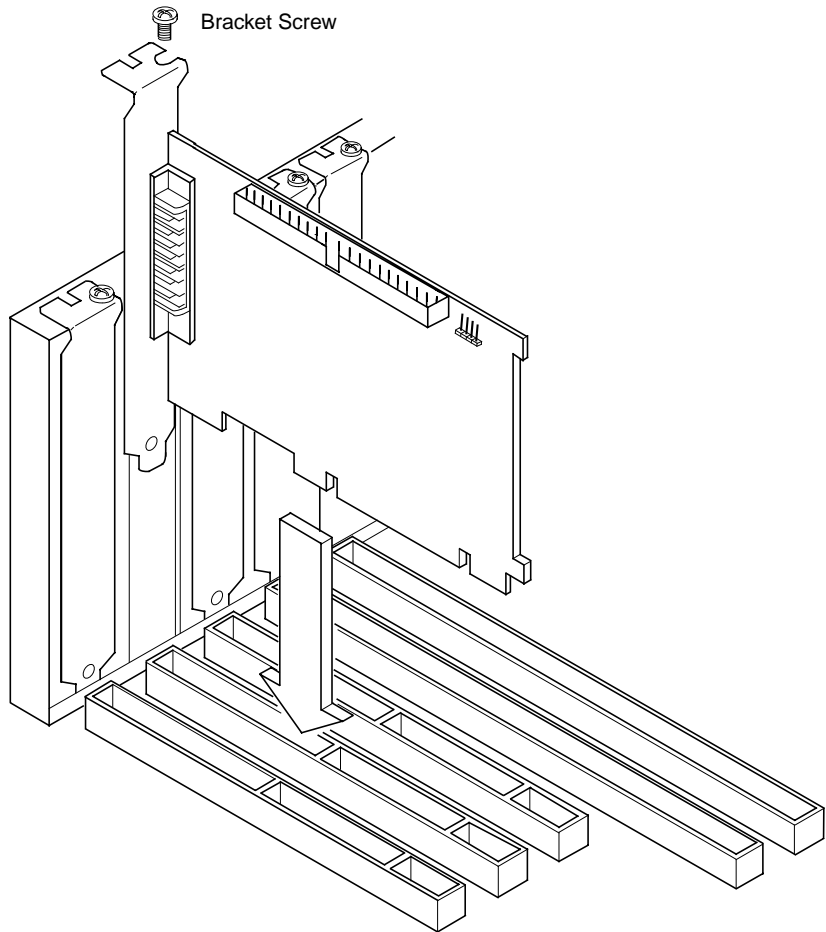
Step 2. Remove the cover on your computer to access the PCI slots. Refer to your computer documentation if necessary.

Step 3. Locate an unused expansion slot for installing the PCI to SCSI host adapter. Refer to your computer documentation if necessary to locate the expansion slots.

Step 4. Remove the blank bracket panel on the back of the computer that covers the slot you intend to use. Save the bracket screw.

Step 5. Remove the SYM20810 host adapter board from the antistatic bag and insert the edge connector into the PCI slot, as pictured in Figure 1.2. Make sure the edge connector is properly aligned before pressing the board into place. Apply even pressure to both ends of the board while inserting it.

**Figure 1.2 Inserting the Host Adapter**

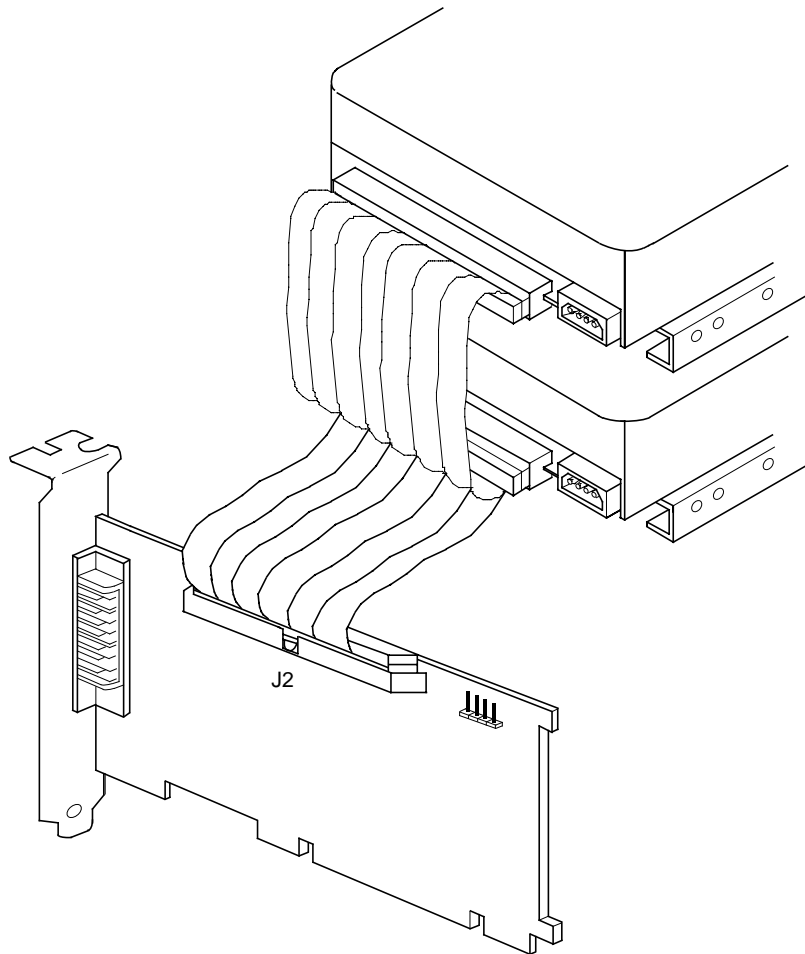


---

## 1.2 Connecting Internal SCSI Devices

- Step 1. If you are connecting an internal SCSI device, plug the 50-pin connector cable on one end of the internal SCSI ribbon cable into the connector J2 (see Figure 1.3). The ribbon cable included in your SYM20810 host adapter kit is keyed to assure that it can be easily connected.
- Step 2. Plug the 50-pin connector on the other end of the ribbon cable into the SCSI connector on your internal SCSI device.
- Step 3. To attach more than one internal device, use a SCSI ribbon cable with the required number of 50-pin connectors attached along its length. Plug the cable connectors into the internal SCSI device connectors, as illustrated in Figure 1.3.
- Step 4. Terminate the SCSI bus as described in the Section 1.2.3, "SCSI Bus Termination," page 1-9.
- Step 5. Make any required power connections to your internal SCSI device(s).

**Figure 1.3 Internal SCSI Devices Chained Together**



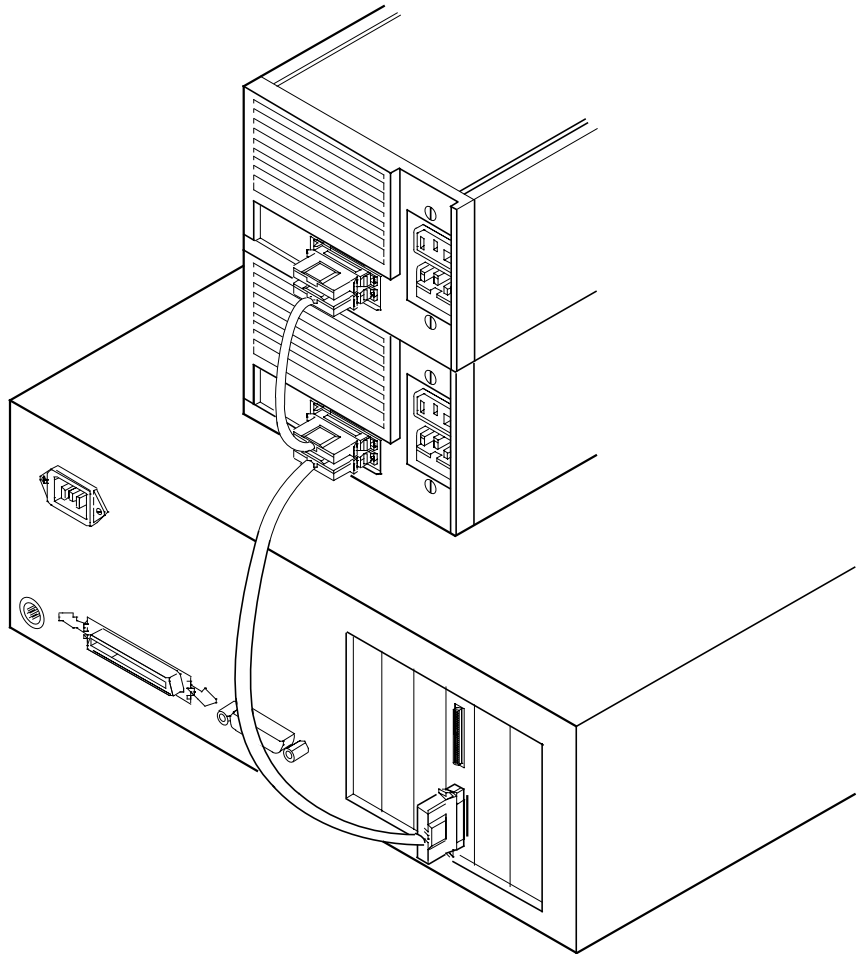
## 1.2.1 Completing the Installation

- Step 1. The bracket around the end connector (J3) should fit where the blank bracket panel was removed. Secure the bracket with the bracket screw.
- Step 2. Replace the cover as described in your computer documentation.

## 1.2.2 Connecting External SCSI Devices

- Step 1. If you need to connect external SCSI devices to the SYM20810 host adapter, plug the 50-pin connector on one end of a shielded external SCSI cable into the host adapter SCSI connector J3. This connector is now bracketed to the back panel of your computer. Figure 1.4 shows how this connection is made.
- Step 2. Plug the 50-pin connector on the other end of the SCSI cable into the SCSI connector on the peripheral device. This connection is shown in Figure 1.4.
- Step 3. If you wish to connect more than one device to the host adapter, use shielded cables to chain them together as illustrated in Figure 1.4.
- Step 4. Terminate the SCSI bus as described in the section Section 1.2.3, "SCSI Bus Termination," page 1-9.

**Figure 1.4 Multiple External Devices Chained Together**

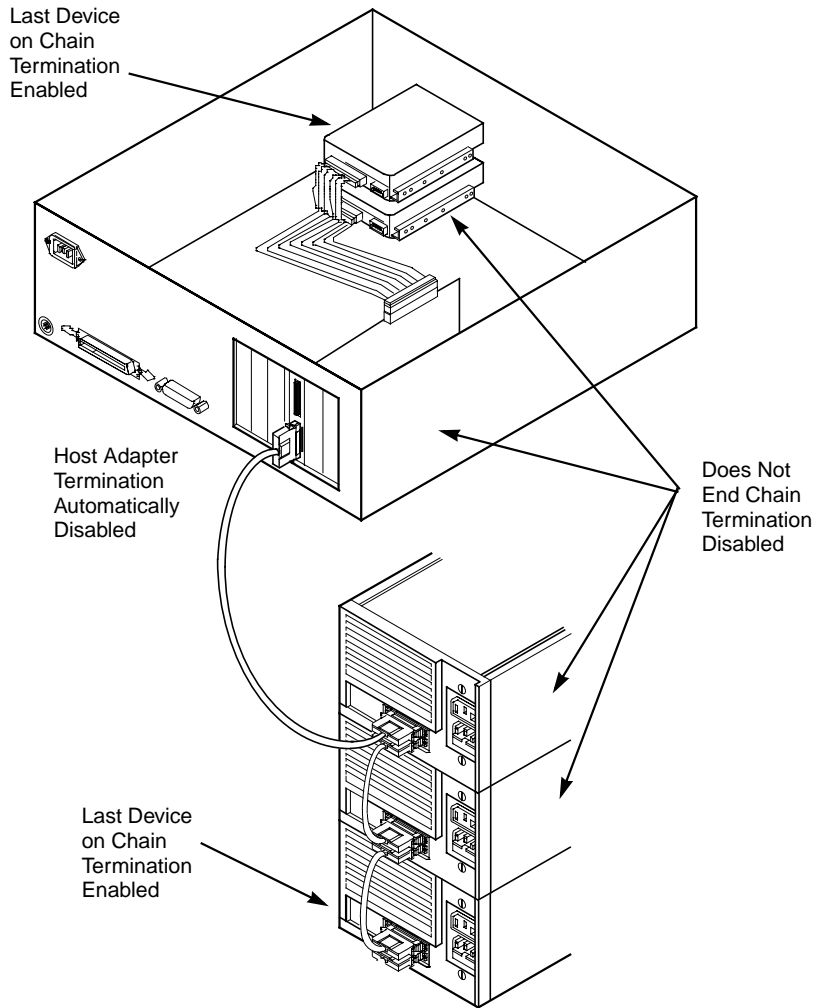




### 1.2.3 SCSI Bus Termination

All SCSI devices have a set of resistors called terminators to assure reliable operation of the SCSI bus. The first and last physical devices on the SCSI bus must have these terminators enabled; all other SCSI devices on the bus must have their terminators removed or disabled. Termination on the SYM20810 host adapter is automatically enabled when it is connected to the end of the bus. Refer to the SCSI device documentation for information on how to identify and change the terminator setting on each SCSI peripheral device.

**Figure 1.5 SCSI Bus Termination**



## 1.2.4 Setting SCSI IDs

Each device on the SCSI bus, including the host adapter, must have a unique SCSI ID from 0 through 7. Refer to your peripheral device documentation for instructions on how to determine and change the ID of each peripheral device. The SCSI ID on the SYM20810 is 7.

Caution: The SYM20810 host adapter supports only Single-Ended (SE) SCSI devices. Differential SCSI devices may be damaged if you connect them to this host adapter. Refer to your SCSI device documentation to make sure you are connecting a SE device.

---

## 1.3 Installing the Host Adapter Device Driver Software

The SYM20810 is supported by Symbios SDMS drivers for DOS/Windows 3.x, Windows 95, Windows NT, and OS/2. Consult the software documentation for complete installation instructions. The Symbios SDMS driver/utility software and documentation for your operating system can be downloaded from the LSI Logic web site ([www.lsilogic.com](http://www.lsilogic.com)).

### 1.3.1 DOS/Windows

The Symbios SDMS driver for DOS runs under DOS 5.0 and above and all versions of Windows 3.x. Consult the software documentation (`dos.txt`) for specific installation instructions and descriptions of the DOS/Windows 3.x drivers and utilities. Symbios SDMS software also includes the following DOS/Windows utilities:

- DOS Installation Utility
- SCSI Low Level Format Utility
- Verify Utility
- SCSI Configuration Utility

### 1.3.2 Windows 95/Windows NT

Windows 95 and Windows NT (versions 3.51 and newer) have embedded support for the SYM20810, so the driver is installed automatically during setup. To add the SYM20810 to an existing system, install the board according to the instructions in this guide, then restart the computer. The operating system will automatically launch the “Add New Hardware” wizard to install the driver. Follow these steps to make sure that the driver software has been properly installed:

- Step 1. From the Windows 95 Start menu, select Settings, then Control Panel.
- Step 2. From the Control Panel window, click the System icon. The System Properties menu displays.
- Step 3. Select the Device Manager.
- Step 4. Click on the SCSI Controllers icon.

- Step 5. The name of the driver for the SYM20810 is “Symbios 8100ASP, 2081x PCI SCSI Adapter; 53C810A Device.” If this driver is not listed, follow the instructions in the Symbios SDMS Windows 95 or Windows NT driver documentation. This documentation can be found on the LSI Logic web site at [www.lsillogic.com](http://www.lsillogic.com).
- Step 6. If there are no red X's or yellow question mark icons next to the listing for the SYM20810, the driver is loaded and ready to use. Please keep in mind that Windows NT only displays the driver information, not every controller found by the driver.

For information on how to change the Symbios driver in your system or to add a driver to a Windows 95 or Windows NT system that is set up with a different SCSI driver, refer to the LSI Logic *Symbios PCI SCSI Device Management System SDMS 4.0 User's Guide* or the software documentation that accompanies the driver on your diskette or on the LSI Logic web site. The file names are `95.txt` for Windows 95 and `8xmnt.txt` for Windows NT.

### 1.3.3 OS/2

The Symbios SYM8XX.ADD device driver complies with the IBM OS/2 Adapter Device Driver specification, and works with third party applications that comply with the same specification. For complete installation instructions, refer to the `OS2.txt` file supplied with your Symbios OS/2 SCSI driver software. The latest version of this driver and the text file may also be found on the LSI Logic web site at [www.lsillogic.com](http://www.lsillogic.com).

---

## 1.4 Troubleshooting

During installation, no SCSI devices are found:

- Check the cable connections and the host bus adapter installation.
- Ensure that all devices are powered on and terminated correctly.
- Check that no devices have duplicate SCSI IDs.
- Make sure INT A is assigned for the PCI slot(s) where your SCSI host adapter(s) are installed.
- Make sure the SCSI device driver is installed properly.

The computer hangs or locks up when booting and the SCSI devices attached are not seen by the computer system:

- Make sure that all the SCSI devices are configured at different ID numbers (the boot drive should have the lowest ID).
- Make sure both ends, but only the ends, of the SCSI bus are terminated.
- (DOS, OS/2) Make sure the device driver is listed in `CONFIG.SYS` (and loaded when booting).

The device driver does not see one of the SCSI devices:

- Reboot the computer.
- Make sure the SCSI devices have different ID numbers (the boot drive should have the lowest ID).
- Make sure both ends, but only the ends, of the SCSI bus are terminated.
- Check the cable and power connections.

# Customer Feedback

---

We would appreciate your feedback on this document. Please copy the following page, add your comments, and fax it to us at the number shown.

If appropriate, please also fax copies of any marked-up pages from this document.

Important: Please include your name, phone number, fax number, and company address so that we may contact you directly for clarification or additional information.

Thank you for your help in improving the quality of our documents.

---

## Reader's Comments

Fax your comments to: LSI Logic Corporation  
Technical Publications  
M/S E-198  
Fax: 408.433.4333

Please tell us how you rate this document: *Symbios® SYM20810 PCI to SCSI Host Adapter User's Guide*. Place a check mark in the appropriate blank for each category.

	Excellent	Good	Average	Fair	Poor
Completeness of information	_____	_____	_____	_____	_____
Clarity of information	_____	_____	_____	_____	_____
Ease of finding information	_____	_____	_____	_____	_____
Technical content	_____	_____	_____	_____	_____
Usefulness of examples and illustrations	_____	_____	_____	_____	_____
Overall manual	_____	_____	_____	_____	_____

What could we do to improve this document?

\_\_\_\_\_

\_\_\_\_\_

\_\_\_\_\_

\_\_\_\_\_

If you found errors in this document, please specify the error and page number. If appropriate, please fax a marked-up copy of the page(s).

\_\_\_\_\_

\_\_\_\_\_

\_\_\_\_\_

Please complete the information below so that we may contact you directly for clarification or additional information.

Name \_\_\_\_\_ Date \_\_\_\_\_

Telephone \_\_\_\_\_ Fax \_\_\_\_\_

Title \_\_\_\_\_

Department \_\_\_\_\_ Mail Stop \_\_\_\_\_

Company Name \_\_\_\_\_

Street \_\_\_\_\_

City, State, Zip \_\_\_\_\_



## U.S. Distributors by State

A. E. Avnet Electronics  
<http://www.hh.avnet.com>  
B. M. Bell Microproducts,  
Inc. (for HAB's)  
<http://www.bellmicro.com>  
I. E. Insight Electronics  
<http://www.insight-electronics.com>  
W. E. Wyle Electronics  
<http://www.wyle.com>

### Alabama

Daphne  
I. E. Tel: 334.626.6190  
Huntsville  
A. E. Tel: 256.837.8700  
I. E. Tel: 256.830.1222  
W. E. Tel: 800.964.9953

### Alaska

A. E. Tel: 800.332.8638

### Arkansas

W. E. Tel: 972.235.9953

### Arizona

Phoenix  
A. E. Tel: 480.736.7000  
B. M. Tel: 602.267.9551  
W. E. Tel: 800.528.4040  
Tempe  
I. E. Tel: 480.829.1800  
Tucson  
A. E. Tel: 520.742.0515

### California

Agoura Hills  
B. M. Tel: 818.865.0266  
Irvine  
A. E. Tel: 949.789.4100  
B. M. Tel: 949.470.2900  
I. E. Tel: 949.727.3291  
W. E. Tel: 800.626.9953  
Los Angeles  
A. E. Tel: 818.594.0404  
W. E. Tel: 800.288.9953  
Sacramento  
A. E. Tel: 916.632.4500  
W. E. Tel: 800.627.9953  
San Diego  
A. E. Tel: 858.385.7500  
B. M. Tel: 858.597.3010  
I. E. Tel: 800.677.6011  
W. E. Tel: 800.829.9953  
San Jose  
A. E. Tel: 408.435.3500  
B. M. Tel: 408.436.0881  
I. E. Tel: 408.952.7000  
Santa Clara  
W. E. Tel: 800.866.9953  
Woodland Hills  
A. E. Tel: 818.594.0404  
Westlake Village  
I. E. Tel: 818.707.2101

### Colorado

Denver  
A. E. Tel: 303.790.1662  
B. M. Tel: 303.846.3065  
W. E. Tel: 800.933.9953  
Englewood  
I. E. Tel: 303.649.1800

### Connecticut

Cheshire  
A. E. Tel: 203.271.5700  
I. E. Tel: 203.272.5843  
Wallingford  
W. E. Tel: 800.605.9953

### Delaware

North/South  
A. E. Tel: 800.526.4812  
Tel: 800.638.5988  
B. M. Tel: 302.328.8968  
W. E. Tel: 856.439.9110

### Florida

Altamonte Springs  
B. M. Tel: 407.682.1199  
I. E. Tel: 407.834.6310  
Boca Raton  
I. E. Tel: 561.997.2540  
Clearwater  
I. E. Tel: 727.524.8850  
Fort Lauderdale  
A. E. Tel: 954.484.5482  
W. E. Tel: 800.568.9953  
Miami  
B. M. Tel: 305.477.6406  
Orlando  
A. E. Tel: 407.657.3300  
W. E. Tel: 407.740.7450  
Tampa  
W. E. Tel: 800.395.9953  
St. Petersburg  
A. E. Tel: 727.507.5000

### Georgia

Atlanta  
A. E. Tel: 770.623.4400  
B. M. Tel: 770.980.4922  
W. E. Tel: 800.876.9953  
Duluth  
I. E. Tel: 678.584.0812

### Hawaii

A. E. Tel: 800.851.2282

### Idaho

A. E. Tel: 801.365.3800  
W. E. Tel: 801.974.9953

### Illinois

North/South  
A. E. Tel: 847.797.7300  
Tel: 314.291.5350  
Chicago  
B. M. Tel: 847.413.8530  
W. E. Tel: 800.853.9953  
Schaumburg  
I. E. Tel: 847.885.9700

### Indiana

Fort Wayne  
I. E. Tel: 219.436.4250  
W. E. Tel: 888.358.9953  
Indianapolis  
A. E. Tel: 317.575.3500

### Iowa

W. E. Tel: 612.853.2280  
Cedar Rapids  
A. E. Tel: 319.393.0033

### Kansas

W. E. Tel: 303.457.9953  
Kansas City  
A. E. Tel: 913.663.7900  
Lenexa  
I. E. Tel: 913.492.0408

### Kentucky

W. E. Tel: 937.436.9953  
Central/Northern/ Western  
A. E. Tel: 800.984.9503  
Tel: 800.767.0329  
Tel: 800.829.0146

### Louisiana

W. E. Tel: 713.854.9953  
North/South  
A. E. Tel: 800.231.0253  
Tel: 800.231.5575

### Maine

A. E. Tel: 800.272.9255  
W. E. Tel: 781.271.9953

### Maryland

Baltimore  
A. E. Tel: 410.720.3400  
W. E. Tel: 800.863.9953  
Columbia  
B. M. Tel: 800.673.7461  
I. E. Tel: 410.381.3131

### Massachusetts

Boston  
A. E. Tel: 978.532.9808  
W. E. Tel: 800.444.9953  
Burlington  
I. E. Tel: 781.270.9400  
Marlborough  
B. M. Tel: 508.480.9099  
Woburn  
B. M. Tel: 781.933.9010

### Michigan

Brighton  
I. E. Tel: 810.229.7710  
Detroit  
A. E. Tel: 734.416.5800  
W. E. Tel: 888.318.9953

### Minnesota

Champlin  
B. M. Tel: 800.557.2566  
Eden Prairie  
B. M. Tel: 800.255.1469  
Minneapolis  
A. E. Tel: 612.346.3000  
W. E. Tel: 800.860.9953  
St. Louis Park  
I. E. Tel: 612.525.9999

### Mississippi

A. E. Tel: 800.633.2918  
W. E. Tel: 800.860.1119

### Missouri

W. E. Tel: 630.620.0969  
St. Louis  
A. E. Tel: 314.291.5350  
I. E. Tel: 314.872.2182

### Montana

A. E. Tel: 800.526.1741  
W. E. Tel: 801.974.9953

### Nebraska

A. E. Tel: 800.332.4375  
W. E. Tel: 303.457.9953

### Nevada

Las Vegas  
A. E. Tel: 800.528.8471  
W. E. Tel: 702.765.7117

### New Hampshire

A. E. Tel: 800.272.9255  
W. E. Tel: 781.271.9953

### New Jersey

North/South  
A. E. Tel: 201.515.1641  
Tel: 609.222.6400  
Mt. Laurel  
I. E. Tel: 609.222.9566  
Pine Brook  
W. E. Tel: 800.862.9953  
Parsippany  
I. E. Tel: 973.299.4425  
Wayne  
W. E. Tel: 973.237.9010

### New Mexico

W. E. Tel: 480.804.7000  
Albuquerque  
A. E. Tel: 505.293.5119

# U.S. Distributors by State (Continued)

---

## New York

Hauppauge  
I. E. Tel: 516.761.0960  
Long Island  
A. E. Tel: 516.434.7400  
W. E. Tel: 800.861.9953  
Rochester  
A. E. Tel: 716.475.9130  
I. E. Tel: 716.242.7790  
W. E. Tel: 800.319.9953  
Smithtown  
B. M. Tel: 800.543.2008  
Syracuse  
A. E. Tel: 315.449.4927

## North Carolina

Raleigh  
A. E. Tel: 919.859.9159  
I. E. Tel: 919.873.9922  
W. E. Tel: 800.560.9953

## North Dakota

A. E. Tel: 800.829.0116  
W. E. Tel: 612.853.2280

## Ohio

Cleveland  
A. E. Tel: 216.498.1100  
W. E. Tel: 800.763.9953  
Dayton  
A. E. Tel: 614.888.3313  
I. E. Tel: 937.253.7501  
W. E. Tel: 800.575.9953  
Strongsville  
B. M. Tel: 440.238.0404  
Valley View  
I. E. Tel: 216.520.4333

## Oklahoma

W. E. Tel: 972.235.9953  
Tulsa  
A. E. Tel: 918.459.6000  
I. E. Tel: 918.665.4664

## Oregon

Beaverton  
B. M. Tel: 503.524.0787  
I. E. Tel: 503.644.3300  
Portland  
A. E. Tel: 503.526.6200  
W. E. Tel: 800.879.9953

## Pennsylvania

Mercer  
I. E. Tel: 412.662.2707  
Pittsburgh  
A. E. Tel: 412.281.4150  
W. E. Tel: 440.248.9996  
Philadelphia  
A. E. Tel: 800.526.4812  
B. M. Tel: 215.741.4080  
W. E. Tel: 800.871.9953

## Rhode Island

A. E. 800.272.9255  
W. E. Tel: 781.271.9953

## South Carolina

A. E. Tel: 919.872.0712  
W. E. Tel: 919.469.1502

## South Dakota

A. E. Tel: 800.829.0116  
W. E. Tel: 612.853.2280

## Tennessee

W. E. Tel: 256.830.1119  
East/West  
A. E. Tel: 800.241.8182  
Tel: 800.633.2918

## Texas

Austin  
A. E. Tel: 512.219.3700  
B. M. Tel: 512.258.0725  
I. E. Tel: 512.719.3090  
W. E. Tel: 800.365.9953  
Dallas  
A. E. Tel: 214.553.4300  
B. M. Tel: 972.783.4191  
W. E. Tel: 800.955.9953  
El Paso  
A. E. Tel: 800.526.9238  
Houston  
A. E. Tel: 713.781.6100  
B. M. Tel: 713.917.0663  
W. E. Tel: 800.888.9953  
Richardson  
I. E. Tel: 972.783.0800  
Rio Grande Valley  
A. E. Tel: 210.412.2047  
Stafford  
I. E. Tel: 281.277.8200

## Utah

Centerville  
B. M. Tel: 801.295.3900  
Murray  
I. E. Tel: 801.288.9001  
Salt Lake City  
A. E. Tel: 801.365.3800  
W. E. Tel: 800.477.9953

## Vermont

A. E. Tel: 800.272.9255  
W. E. Tel: 716.334.5970

## Virginia

A. E. Tel: 800.638.5988  
W. E. Tel: 301.604.8488

## Washington

Kirkland  
I. E. Tel: 425.820.8100  
Seattle  
A. E. Tel: 425.882.7000  
W. E. Tel: 800.248.9953

## West Virginia

A. E. Tel: 800.638.5988

## Wisconsin

Milwaukee  
A. E. Tel: 414.513.1500  
W. E. Tel: 800.867.9953  
Wauwatosa  
I. E. Tel: 414.258.5338

## Wyoming

A. E. Tel: 800.332.9326  
W. E. Tel: 801.974.9953

# Direct Sales Representatives by State (Component and HAB)

---

E. A. Earle Associates  
E. L. Electrodyne - UT  
GRP Group 2000  
I. S. Infinity Sales, Inc.  
ION ION Associates, Inc.  
R. A. Rathsburg Associates, Inc.  
SGY Synergy Associates, Inc.

## Arizona

Tempe  
E. A. Tel: 480.921.3305

## California

Calabasas  
I. S. Tel: 818.880.6480  
Irvine  
I. S. Tel: 714.833.0300  
San Diego  
E. A. Tel: 619.278.5441

## Illinois

Elmhurst  
R. A. Tel: 630.516.8400

## Indiana

Cicero  
R. A. Tel: 317.984.8608  
Ligonier  
R. A. Tel: 219.894.3184  
Plainfield  
R. A. Tel: 317.838.0360

## Massachusetts

Burlington  
SGY Tel: 781.238.0870

## Michigan

Byron Center  
R. A. Tel: 616.554.1460  
Good Rich  
R. A. Tel: 810.636.6060  
Novi  
R. A. Tel: 810.615.4000

## North Carolina

Cary  
GRP Tel: 919.481.1530

## Ohio

Columbus  
R. A. Tel: 614.457.2242  
Dayton  
R. A. Tel: 513.291.4001  
Independence  
R. A. Tel: 216.447.8825

## Pennsylvania

Somerset  
R. A. Tel: 814.445.6976

## Texas

Austin  
ION Tel: 512.794.9006  
Arlington  
ION Tel: 817.695.8000  
Houston  
ION Tel: 281.376.2000

## Utah

Salt Lake City  
E. L. Tel: 801.264.8050

## Wisconsin

Muskego  
R. A. Tel: 414.679.8250  
Saukville  
R. A. Tel: 414.268.1152

# Sales Offices and Design Resource Centers

---

**LSI Logic Corporation**  
**Corporate Headquarters**  
Tel: 408.433.8000  
Fax: 408.433.8989

## NORTH AMERICA

**California**  
Costa Mesa - Mint Technology  
Tel: 949.752.6468  
Fax: 949.752.6868

Irvine  
◆ Tel: 949.809.4600  
Fax: 949.809.4444

Pleasanton Design Center  
Tel: 925.730.8800  
Fax: 925.730.8700

San Diego  
Tel: 858.467.6981  
Fax: 858.496.0548

Silicon Valley  
◆ Tel: 408.433.8000  
Fax: 408.954.3353

Wireless Design Center  
Tel: 858.350.5560  
Fax: 858.350.0171

**Colorado**  
Boulder  
◆ Tel: 303.447.3800  
Fax: 303.541.0641

Colorado Springs  
Tel: 719.533.7000  
Fax: 719.533.7020

Fort Collins  
Tel: 970.223.5100  
Fax: 970.206.5549

**Florida**  
Boca Raton  
Tel: 561.989.3236  
Fax: 561.989.3237

**Georgia**  
Alpharetta  
Tel: 770.753.6146  
Fax: 770.753.6147

**Illinois**  
Oakbrook Terrace  
Tel: 630.954.2234  
Fax: 630.954.2235

**Kentucky**  
Bowling Green  
Tel: 270.793.0010  
Fax: 270.793.0040

**Maryland**  
Bethesda  
Tel: 301.897.5800  
Fax: 301.897.8389

**Massachusetts**  
Waltham  
◆ Tel: 781.890.0180  
Fax: 781.890.6158

Burlington - Mint Technology  
Tel: 781.685.3800  
Fax: 781.685.3801

**Minnesota**  
Minneapolis  
◆ Tel: 612.921.8300  
Fax: 612.921.8399

**New Jersey**  
Red Bank  
Tel: 732.933.2656  
Fax: 732.933.2643

Cherry Hill - Mint Technology  
Tel: 609.489.5530  
Fax: 609.489.5531

**New York**  
Fairport  
Tel: 716.218.0020  
Fax: 716.218.9010

**North Carolina**  
Raleigh  
Tel: 919.785.4520  
Fax: 919.783.8909

**Oregon**  
Beaverton  
Tel: 503.645.0589  
Fax: 503.645.6612

**Texas**  
Austin  
Tel: 512.388.7294  
Fax: 512.388.4171

Plano  
◆ Tel: 972.244.5000  
Fax: 972.244.5001

Houston  
Tel: 281.379.7800  
Fax: 281.379.7818

**Canada**  
**Ontario**  
Ottawa  
◆ Tel: 613.592.1263  
Fax: 613.592.3253

## INTERNATIONAL

**France**  
Paris  
**LSI Logic S.A.**  
**Immeuble Europa**  
◆ Tel: 33.1.34.63.13.13  
Fax: 33.1.34.63.13.19

**Germany**  
Munich  
◆ **LSI Logic GmbH**  
Tel: 49.89.4.58.33.0  
Fax: 49.89.4.58.33.108

Stuttgart  
Tel: 49.711.13.96.90  
Fax: 49.711.86.61.428

**Italy**  
Milano  
**LSI Logic S.P.A.**  
◆ Tel: 39.039.687371  
Fax: 39.039.6057867

**Japan**  
Tokyo  
**LSI Logic K.K.**  
◆ Tel: 81.3.5463.7821  
Fax: 81.3.5463.7820

Osaka  
◆ Tel: 81.6.947.5281  
Fax: 81.6.947.5287

**Korea**  
Seoul  
**LSI Logic Corporation of Korea Ltd**  
Tel: 82.2.528.3400  
Fax: 82.2.528.2250

**The Netherlands**  
Eindhoven  
**LSI Logic Europe Ltd**  
Tel: 31.40.265.3580  
Fax: 31.40.296.2109

**Singapore**  
Singapore  
**LSI Logic Pte Ltd**  
Tel: 65.334.9061  
Fax: 65.334.4749

Tel: 65.835.5040  
Fax: 65.732.5047

**Sweden**  
Stockholm  
**LSI Logic AB**  
◆ Tel: 46.8.444.15.00  
Fax: 46.8.750.66.47

**Taiwan**  
Taipei  
**LSI Logic Asia, Inc.**  
**Taiwan Branch**  
Tel: 886.2.2718.7828  
Fax: 886.2.2718.8869

**United Kingdom**  
Bracknell  
◆ **LSI Logic Europe Ltd**  
Tel: 44.1344.426544  
Fax: 44.1344.481039

◆ Sales Offices with  
Design Resource Centers

# International Distributors

---

## Australia

New South Wales  
◆ **Reptechnic Pty Ltd**  
Tel: 612.9953.9844  
Fax: 612.9953.9683

## Belgium

**Acal nv/sa**  
Tel: 32.2.7205983  
Fax: 32.2.7251014

## China

Beijing  
**LSI Logic International Services Inc.**  
Tel: 86.10.6804.2534  
Fax: 86.10.6804.2521

## France

Rungis Cedex  
**Azzurri Technology France**  
Tel: 33.1.41806310  
Fax: 33.1.41730340

## Germany

Haar  
**EBV Elektronik**  
Tel: 49.89.4600980  
Fax: 49.89.46009840

## Munich

**Avnet Emg GmbH**  
Tel: 49.89.45110102  
Fax: 49.89.42.27.75

## Wuennenberg-Haaren

**Peacock AG**  
Tel: 49.2957.79.1692  
Fax: 49.2957.79.9341

## Hong Kong

Hong Kong  
**AVT Industrial Ltd**  
Tel: 852.2428.0008  
Fax: 852.2401.2105

## EastEle

Tel: 852.2798.8860  
Fax: 852.2305.0640

## India

Bangalore  
**Spike Technologies India Private Ltd**  
◆ Tel: 91.80.664.5530  
Fax: 91.80.664.9748

## Israel

Tel Aviv  
**Eastronics Ltd**  
Tel: 972.3.6458777  
Fax: 972.3.6458666

## Japan

Tokyo  
**Global Electronics Corporation**  
Tel: 81.3.3260.1411  
Fax: 81.3.3260.7100  
Technical Center  
Tel: 81.471.43.8200

## Yokohama-City

**Macnica Corporation**  
Tel: 81.45.939.6140  
Fax: 81.45.939.6141

## The Netherlands

Eindhoven  
**Acal Nederland b.v.**  
Tel: 31.40.2.502602  
Fax: 31.40.2.510255

## Switzerland

Brugg  
**LSI Logic Sulzer AG**  
Tel: 41.32.3743232  
Fax: 41.32.3743233

## Taiwan

Taipei  
**Avnet-Mercuries Corporation, Ltd**  
Tel: 886.2.2516.7303  
Fax: 886.2.2505.7391

## Lumax International Corporation, Ltd

Tel: 886.2.2788.3656  
Fax: 886.2.2788.3568

## Prospect Technology Corporation, Ltd

Tel: 886.2.2721.9533  
Fax: 886.2.2773.3756

## Serial Semiconductor Corporation, Ltd

Tel: 886.2.2579.5858  
Fax: 886.2.2570.3123

## United Kingdom

M Maidenhead  
**Azzurri Technology Ltd**  
Tel: 44.1628.826826  
Fax: 44.1628.829730

## Swindon

**EBV Elektronik**  
Tel: 44.1793.849933  
Fax: 44.1793.859555

◆ Sales Offices with Design Resource Centers



## Free Manuals Download Website

<http://myh66.com>

<http://usermanuals.us>

<http://www.somanuals.com>

<http://www.4manuals.cc>

<http://www.manual-lib.com>

<http://www.404manual.com>

<http://www.luxmanual.com>

<http://aubethermostatmanual.com>

Golf course search by state

<http://golfingnear.com>

Email search by domain

<http://emailbydomain.com>

Auto manuals search

<http://auto.somanuals.com>

TV manuals search

<http://tv.somanuals.com>