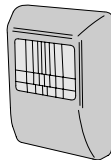


DXS-54



SUPERVISED WIRELESS MOTION DETECTOR



Installation Instructions



(760) 438-7000 • FAX (760) 438-7043
USA & Canada (800) 421-1587 & (800) 392-0123
Toll Free FAX (800) 468-1340

PRODUCT DESCRIPTION

The DXS-54 is a battery powered passive infrared motion detector with a built-in transmitter designed for use with Linear's DXS and DX format receivers. This transmitter can be used in a variety of motion detection applications. When the passive infrared sensor detects motion in its field of view, the transmitter sends a digitally coded wireless signal to its companion receiver.

The digital DXS code format features over a million possible codes. The DXS transmitters are pre-coded at the factory to unique codes, so no field coding is required. The DXS-54 can send three different signals: alarm, low battery and status.

For versatility, any transmitter can be programmed into any receiver channel. Receivers must be programmed to the transmitter's code before system testing and operation. Refer to the receiver's instructions for details on programming.

In a typical installation, the motion detector is mounted indoors in a corner or on a wall between six and eight feet high. The sensor will monitor the infrared level in its detection pattern. If the level increases or decreases rapidly (as when a person or animal moves through the area) the transmitter triggers, sending an alarm signal to the receiver.

The unit is powered from a 9-Volt alkaline battery. The battery's life can be up to three years depending on the area's traffic. When the battery gets low, the test indicator will flash and a low battery signal will be sent to the receiver when the detector senses motion.

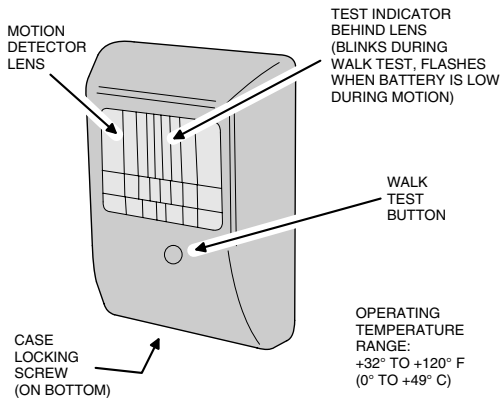
Approximately every hour, the DXS-54 will send a status transmission to the receiver. The hourly signal updates the receiver to the transmitter's condition. By monitoring status transmissions, the receiver can determine if a transmitter has a low battery or has been removed from the system. DXS format receivers can monitor status signals, DX format receivers cannot.

To conserve battery life, during normal operation, the detector can trigger the transmitter a maximum of once every four minutes.

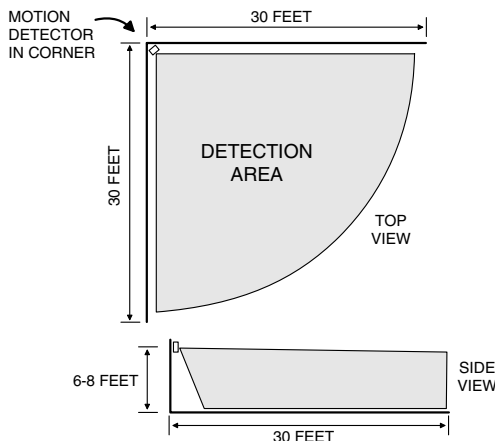
For setup and testing, pressing the detector's test button places the unit in walk test mode for four minutes. The installer can walk in front of the unit while viewing the red test indicator through the detector's lens to determine the detection area.

In walk test, an alarm signal is sent each time the walk test indicator lights. During normal operation, the detector requires a "pulse count" of three events in eight seconds before sending an alarm transmission.

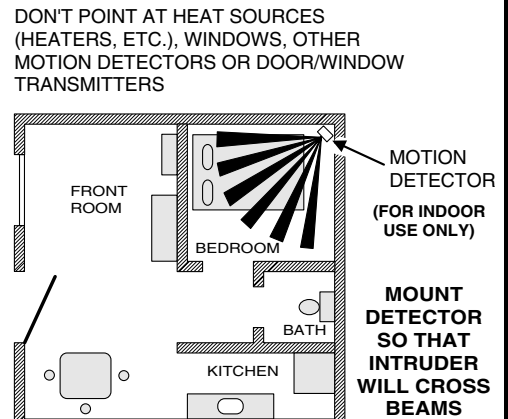
DXS-54 FEATURES



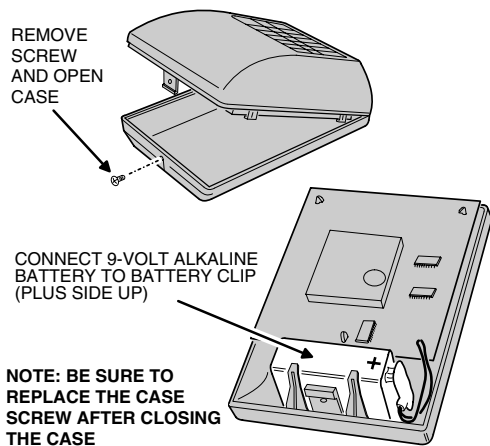
DETECTION PATTERN



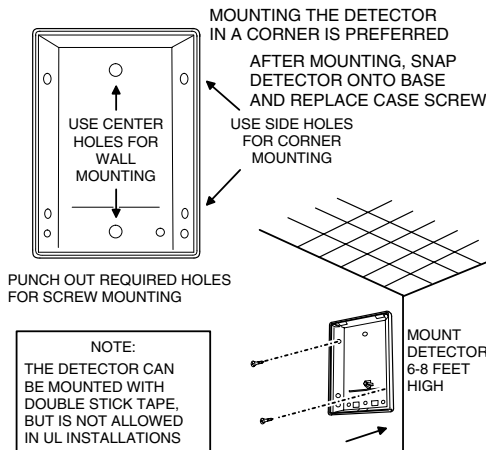
TYPICAL INSTALLATION



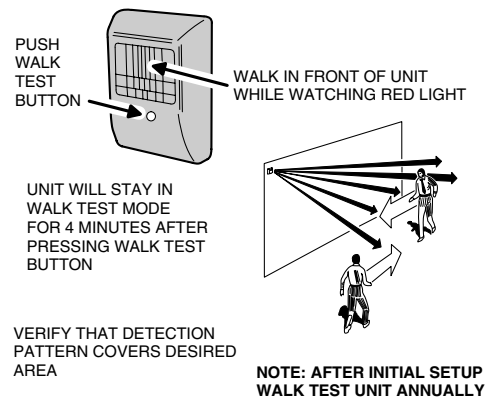
CONNECTING BATTERY



MOUNTING DETECTOR BASE

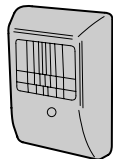


WALK TEST



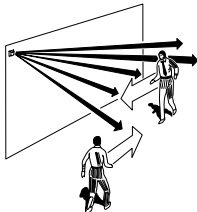
PROGRAM RECEIVER AND TEST

FOR PROGRAMMING, REFER TO THE RECEIVER'S INSTRUCTIONS



AFTER PROGRAMMING RECEIVER TO THE TRANSMITTER'S CODE TEST THE SYSTEM

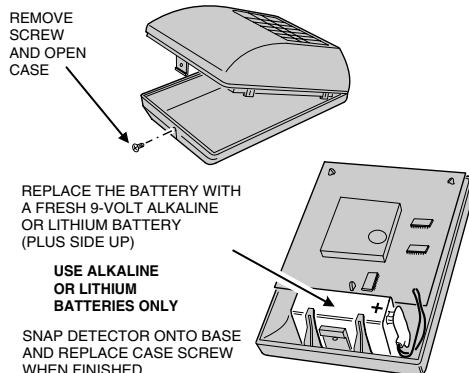
STAYING CLEAR, WAIT AT LEAST FIVE MINUTES BEFORE WALKING INTO THE DETECTION AREA



WALK ACROSS THE DETECTION PATTERN AND VERIFY THAT THE RECEIVER ACTIVATES

CHANGING BATTERY

WHEN THE DETECTOR HAS A LOW BATTERY:



LINEAR LIMITED WARRANTY

This Linear product is warranted against defects in material and workmanship for twelve (12) months. The Warranty Expiration Date is labeled on the product. This warranty extends only to wholesale customers who buy direct from Linear or through Linear's normal distribution channels. Linear does not warrant this product to consumers. Consumers should inquire from their selling dealer as to the nature of the dealer's warranty, if any. There are no obligations or liabilities on the part of Linear Corporation for consequential damages arising out of or in connection with use or performance of this product or other indirect damages with respect to loss of property, revenue, or profit, or cost of removal, installation, or reinstallation. All implied warranties, including implied warranties for merchantability and implied warranties for fitness, are valid only until Warranty Expiration Date as labeled on the product. This Linear Corporation Warranty is in lieu of all other warranties express or implied. For warranty service on Linear equipment return product, at sender's expense to: All products returned for warranty service require a Return Product Authorization Number (RPA#). Contact Linear Technical Services at 1-800-421-1587 for an RPA# and other important details.

IMPORTANT!!!

Linear radio controls provide a reliable communications link and fill an important need in portable wireless signalling. However, there are some limitations which must be observed.

- * For U.S. installations only: The radios are required to comply with FCC Rules and Regulations as Part 15 devices. As such, they have limited transmitter power and therefore limited range.
- * A receiver cannot respond to more than one transmitted signal at a time and may be blocked by radio signals that occur on or near their operating frequencies, regardless of code settings.
- * Changes or modifications to the device may void FCC compliance.
- * Infrequently used radio links should be tested regularly to protect against undetected interference or fault.
- * A general knowledge of radio and its vagaries should be gained prior to acting as a wholesale distributor or dealer, and these facts should be communicated to the ultimate users.

Free Manuals Download Website

<http://myh66.com>

<http://usermanuals.us>

<http://www.somanuals.com>

<http://www.4manuals.cc>

<http://www.manual-lib.com>

<http://www.404manual.com>

<http://www.luxmanual.com>

<http://aubethermostatmanual.com>

Golf course search by state

<http://golfingnear.com>

Email search by domain

<http://emailbydomain.com>

Auto manuals search

<http://auto.somanuals.com>

TV manuals search

<http://tv.somanuals.com>